



US00D849811S

(12) **United States Design Patent** (10) **Patent No.:** **US D849,811 S**
Kubo (45) **Date of Patent:** **** May 28, 2019**

- (54) **WINDING ROLLER OF A LABELING MACHINE**
- (71) Applicant: **OSAKA SEALING PRINTING CO., LTD.**, Osaka (JP)
- (72) Inventor: **Seiya Kubo**, Osaka (JP)
- (73) Assignee: **OSAKA SEALING PRINTING CO., LTD.**, Osaka (JP)
- (**) Term: **15 Years**
- (21) Appl. No.: **29/644,221**
- (22) Filed: **Apr. 16, 2018**
- (30) **Foreign Application Priority Data**

D638,454 S *	5/2011	Torii	D15/143
8,205,658 B1 *	6/2012	Lin	E06B 9/40 160/168.1 R
D694,040 S *	11/2013	Di Stefano	D6/580
D701,243 S *	3/2014	Cornett	D15/7
D709,933 S *	7/2014	Wu	D15/143
D728,073 S *	4/2015	Tanaka	D23/235
D739,440 S *	9/2015	Cornett	D15/7
D754,291 S *	4/2016	Mangold	D23/233
D754,292 S *	4/2016	Mangold	D23/233
D754,293 S *	4/2016	Mangold	D23/233
D789,432 S *	6/2017	Tokuda	D15/148
D790,616 S *	6/2017	Tokuda	D15/148
D790,617 S *	6/2017	Tokuda	D15/148
D810,933 S *	2/2018	Chrisman	D24/133
2009/0176615 A1 *	7/2009	Gasparrini	E06B 9/68 475/331

(Continued)

- Oct. 17, 2017 (JP) 2017-022966
- (51) **LOC (11) Cl.** **15-09**
- (52) **U.S. Cl.**
USPC **D15/145; D15/138**
- (58) **Field of Classification Search**
USPC D8/358; D15/122, 138, 145, 148
CPC . B65C 11/004; B65C 11/006; B65C 11/0289;
B65C 2210/0078; B65C 2210/0086;
B65C 2210/0094; Y10T 156/18; Y10T
156/171
See application file for complete search history.

FOREIGN PATENT DOCUMENTS

JP 2016-117537 A 6/2016
Primary Examiner — Patricia A Palasik
 (74) *Attorney, Agent, or Firm* — Maschoff Brennan

(57) **CLAIM**

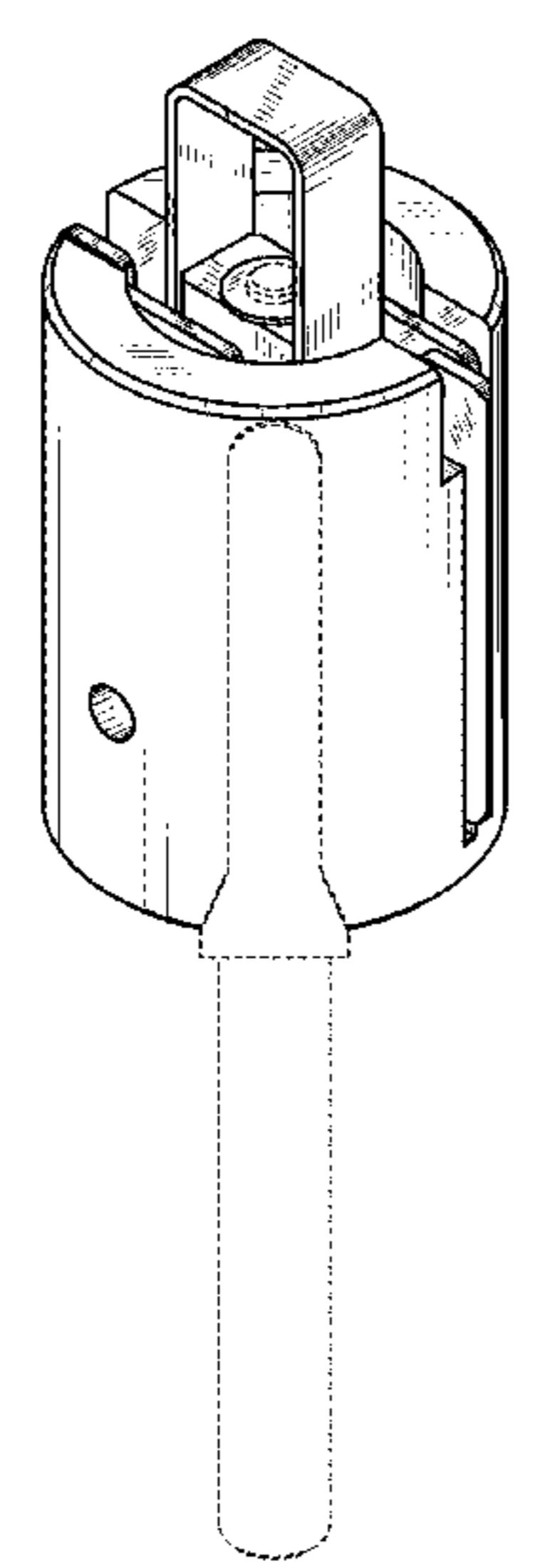
The ornamental design for winding roller of a labeling machine, as shown and described.

DESCRIPTION

FIG. 1 is a front view of a winding roller of a labeling machine showing my new design;
 FIG. 2 is a rear view thereof;
 FIG. 3 is a left side view thereof;
 FIG. 4 is a right side view thereof;
 FIG. 5 is a top plan view thereof;
 FIG. 6 is a bottom plan view thereof; and,
 FIG. 7 is a perspective view thereof.
 The broken lines in the drawings depict portions of the winding roller of a labeling machine which form no part of the claimed design.

- (56) **References Cited**
- U.S. PATENT DOCUMENTS
- D253,005 S * 9/1979 Close D21/453
- D257,349 S * 10/1980 Thomas 310/50
- 5,154,367 A * 10/1992 Beisswanger B65H 19/2261
242/541.4
- 6,328,086 B1 * 12/2001 Takahashi B65C 11/004
156/362
- D527,739 S * 9/2006 De Luca D15/5
- D628,051 S * 11/2010 Di Stefano D8/358

1 Claim, 7 Drawing Sheets



(56)

References Cited

U.S. PATENT DOCUMENTS

2012/0241111	A1 *	9/2012	Wolek	E06B 9/80 160/299
2013/0025805	A1 *	1/2013	Lin	E06B 9/42 160/309
2015/0211156	A1 *	7/2015	Lonati	D04B 15/88 66/151
2015/0300463	A1 *	10/2015	Albrecht	F16C 33/58 474/166
2016/0222727	A1 *	8/2016	Schiraldi	E06B 9/80
2017/0159359	A1 *	6/2017	Vries	E06B 9/44

* cited by examiner

FIG. 1

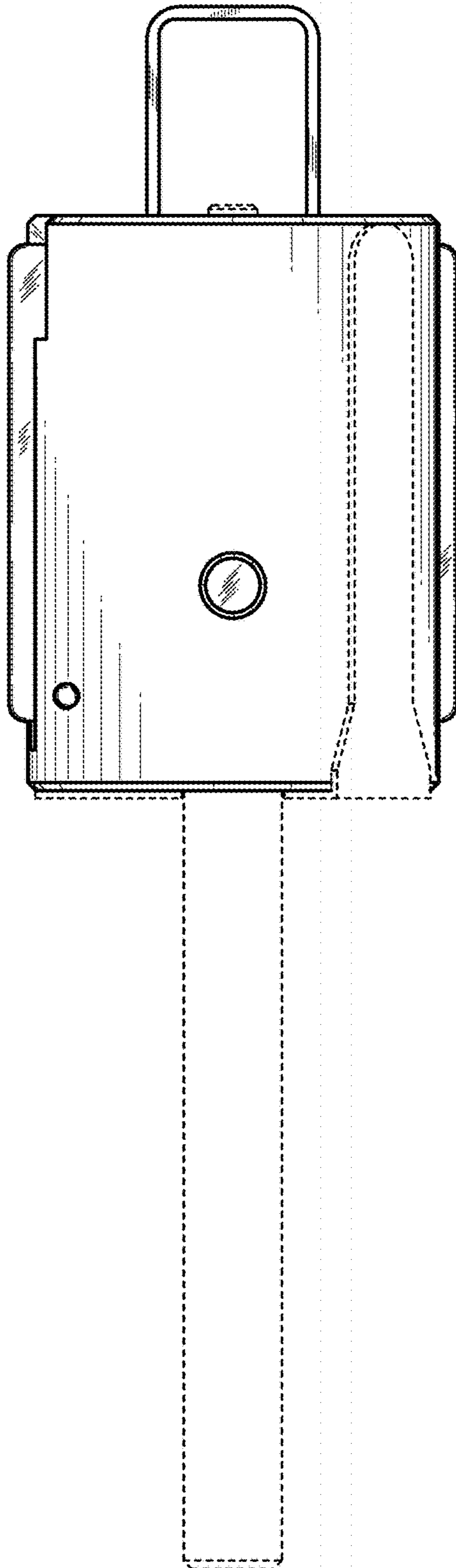


FIG.2

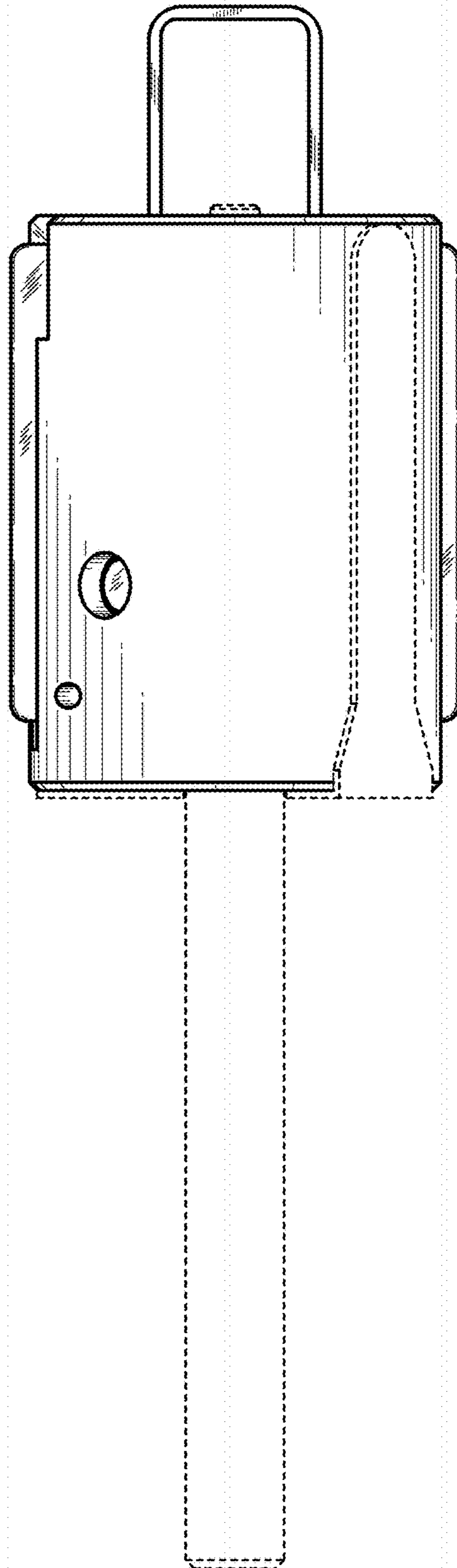


FIG.3

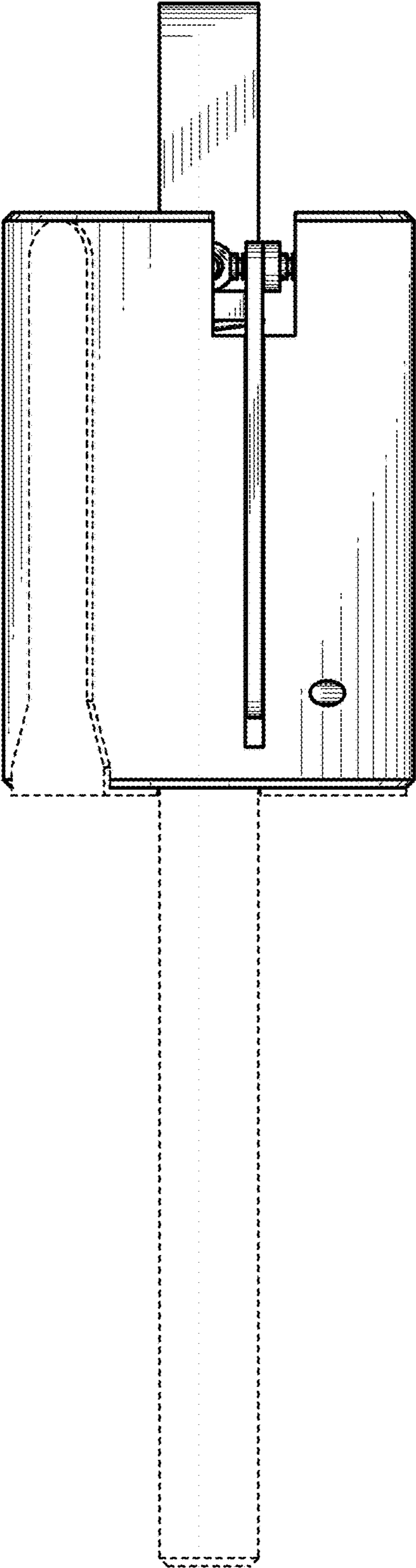


FIG. 4

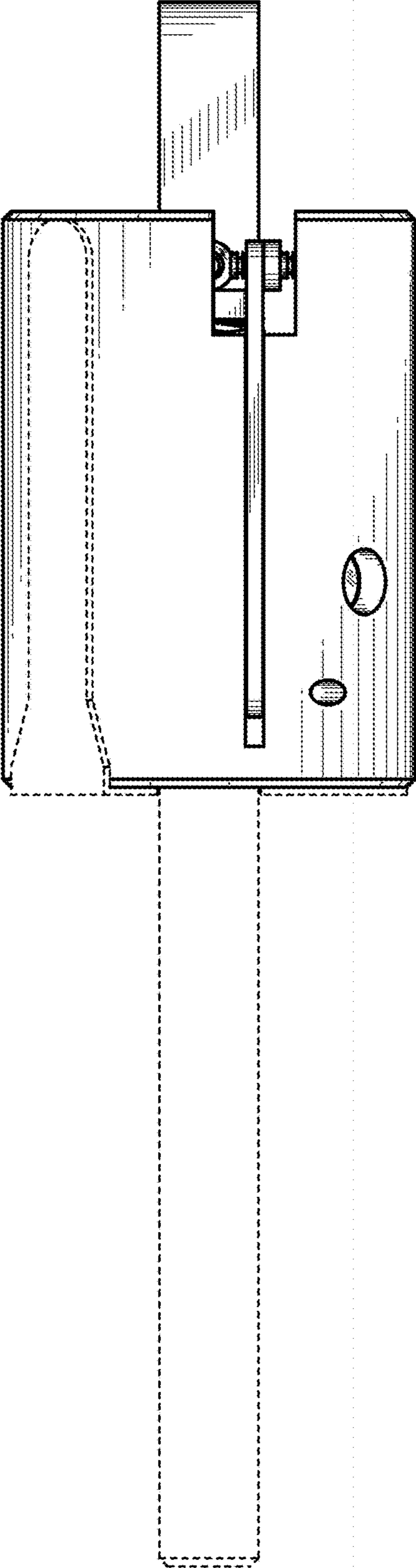


FIG.5

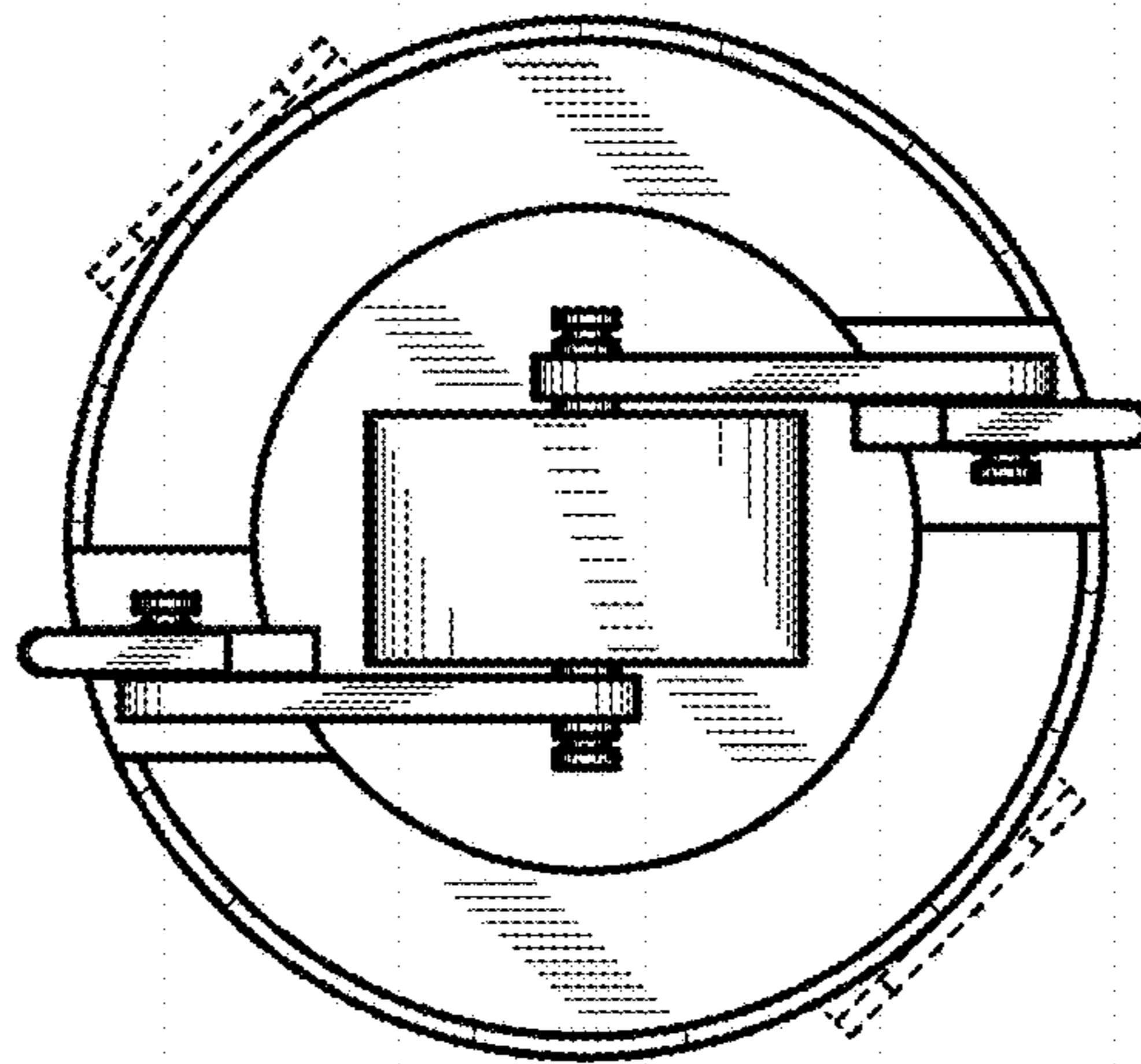


FIG.6

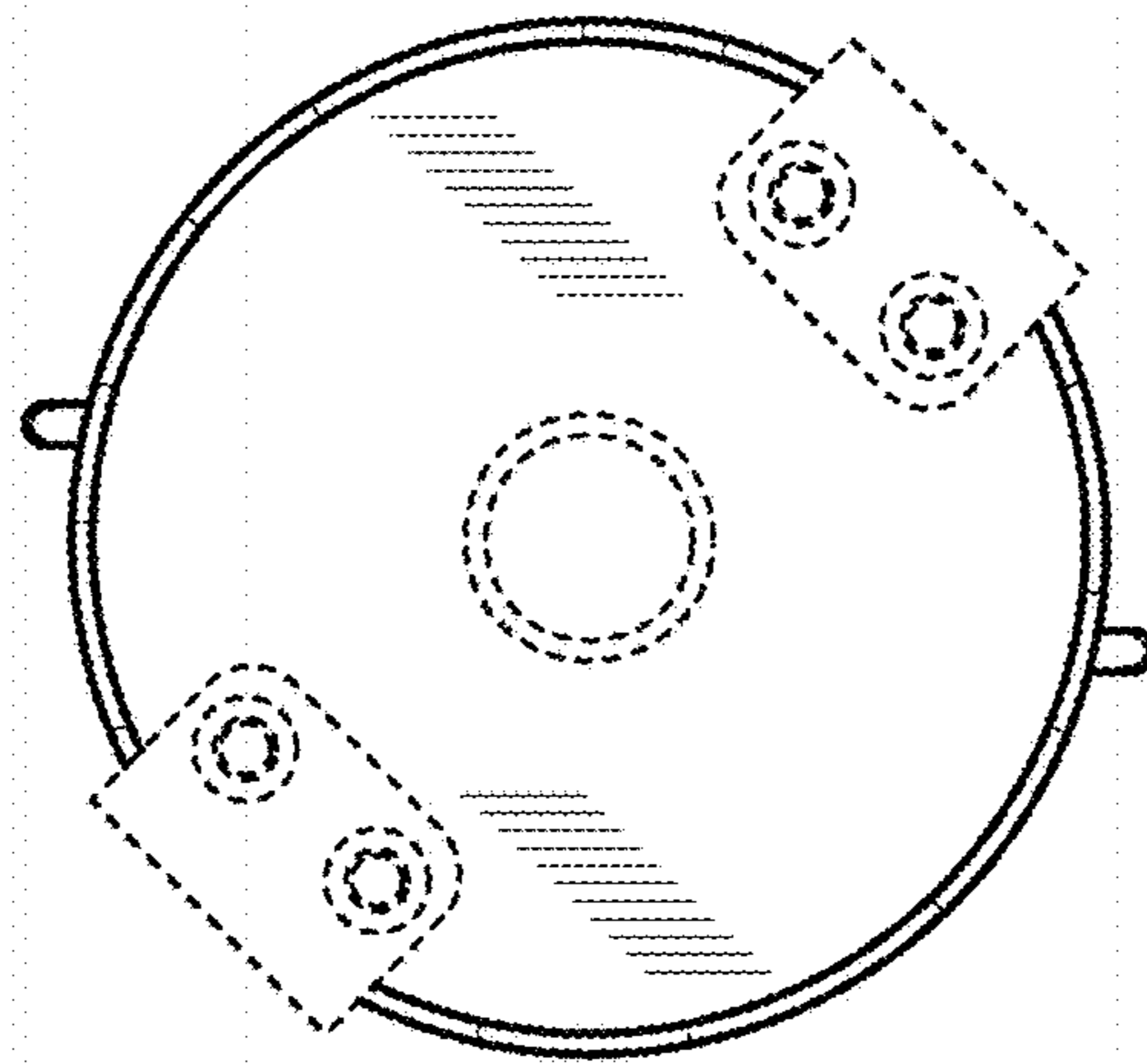


FIG. 7

