



US00D849810S

(12) **United States Design Patent** (10) **Patent No.:** **US D849,810 S**  
**Kim** (45) **Date of Patent:** **\*\* May 28, 2019**

(54) **CERAMIC HEATER**  
(71) Applicant: **KSM COMPONENT CO., LTD.**,  
Gyeonggi-do (KR)  
(72) Inventor: **Joo Hwan Kim**, Seoul (KR)  
(73) Assignee: **KSM Component Co., LTD**, Gimpo-si,  
Geonggi-do (KR)  
(\*\*) Term: **15 Years**  
(21) Appl. No.: **29/565,638**  
(22) Filed: **May 23, 2016**

D215,229 S \* 9/1969 Rohling ..... 248/346.01  
D278,676 S \* 5/1985 DeAre ..... D11/164  
D281,583 S \* 12/1985 Cafiero ..... D9/437  
D293,987 S \* 2/1988 Raftery ..... D34/27  
D296,665 S \* 7/1988 Hofer ..... D11/146  
D319,955 S \* 9/1991 Keller ..... D8/17  
D342,866 S \* 1/1994 Lee ..... D7/608  
D343,937 S \* 2/1994 Wooten ..... D34/2  
D372,400 S \* 8/1996 Bearden ..... D7/610  
D376,935 S \* 12/1996 Nourse ..... D6/692.3  
D422,456 S \* 4/2000 Krueger ..... D7/610  
D430,283 S \* 8/2000 Wu ..... D23/411  
6,120,202 A \* 9/2000 Donsky ..... A45D 34/045  
401/17  
D475,447 S \* 6/2003 Stout, Jr. .... D23/393  
D557,072 S \* 12/2007 Lim ..... D7/505  
D636,637 S \* 4/2011 Lupkes ..... D7/501

(Continued)

(30) **Foreign Application Priority Data**

Nov. 24, 2015 (KR) ..... 30-2015-0059151

(51) **LOC (11) Cl.** ..... **15-09**  
(52) **U.S. Cl.**  
USPC ..... **D15/144.1**; D13/182  
(58) **Field of Classification Search**  
USPC ..... D15/122, 138, 144.1; D9/452, 454;  
D13/182, 199; D23/233, 259-263;  
D6/688, 688.1, 692-692.3, 698; D7/608,  
D7/610, 552.1; D25/126, 133, 135, 128,  
D25/129; D3/10  
CPC ..... H01L 21/67115; H01L 21/683; H01L  
21/67098; H01L 21/68785; H01L  
21/68792; C23C 16/4584; C23C 16/4586;  
C23C 16/4581; H05B 3/0047; H05B  
3/283; F27B 17/0025  
See application file for complete search history.

(56) **References Cited**

**U.S. PATENT DOCUMENTS**

596,217 A \* 12/1897 Rapp ..... F16L 9/18  
108/150  
D65,465 S \* 8/1924 Duncan ..... D7/505  
D215,083 S \* 9/1969 Carter ..... D4/116

**FOREIGN PATENT DOCUMENTS**

JP 2011049428 A \* 3/2011  
JP 2013225663 A \* 10/2013 ..... H01L 21/68792

*Primary Examiner* — Sheryl Lane

*Assistant Examiner* — Calvin E Vansant

(74) *Attorney, Agent, or Firm* — Klarquist Sparkman LLP

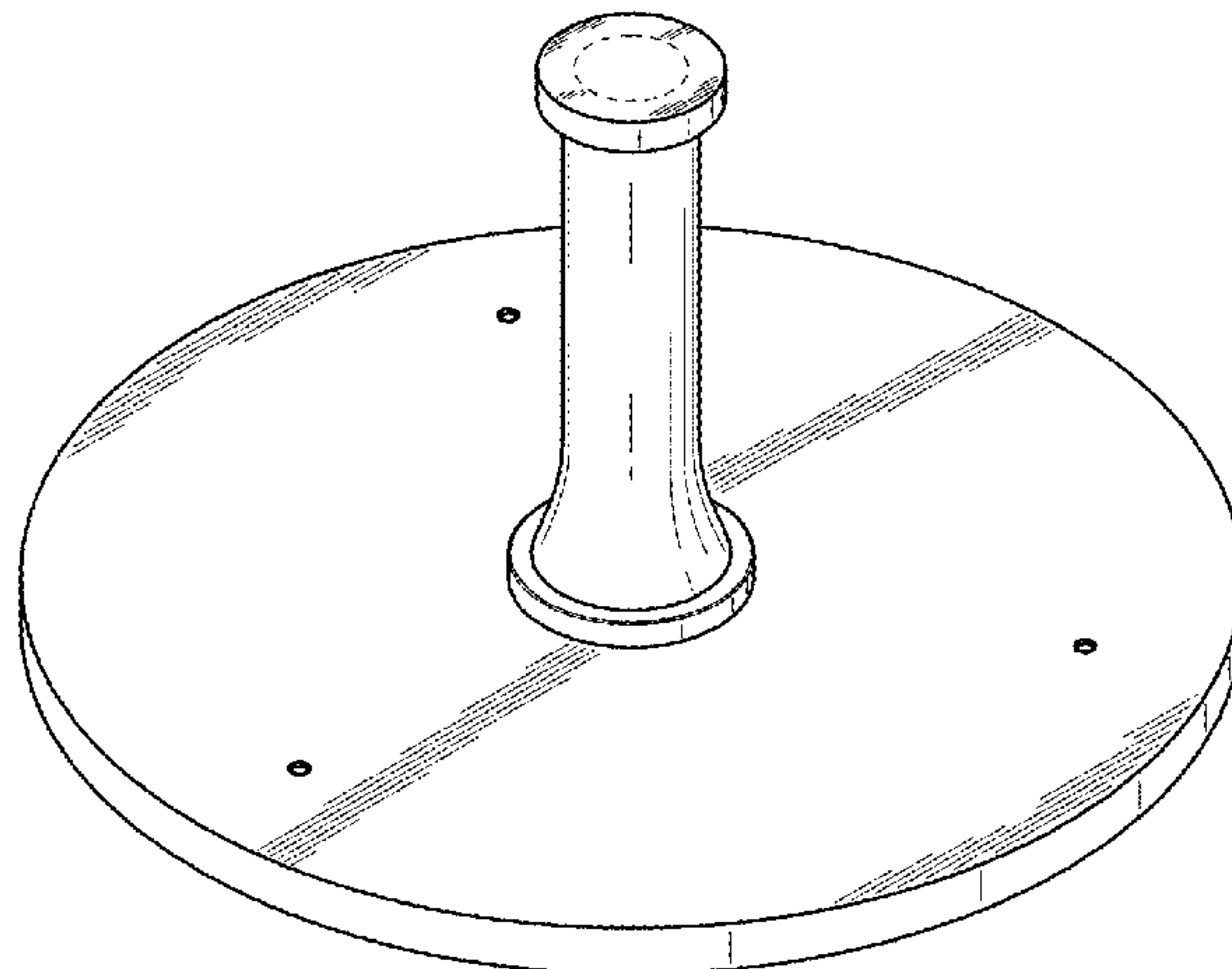
(57) **CLAIM**

The ornamental design for ceramic heater, as shown and described.

**DESCRIPTION**

FIG. 1 is a perspective view of the design.  
FIG. 2 is a front view of the design.  
FIG. 3 is a rear view of the design.  
FIG. 4 is a left view of the design.  
FIG. 5 is a right view of the design.  
FIG. 6 is a top view of the design; and,  
FIG. 7 is a bottom view of the design.  
The broken lines depict portions of the ceramic heater and form no part of the claim.

**1 Claim, 5 Drawing Sheets**



(56)

**References Cited**

U.S. PATENT DOCUMENTS

D645,889	S *	9/2011	Nakamura	.....	D15/144.1
D647,073	S *	10/2011	Morihira	.....	D13/199
D661,953	S *	6/2012	Harshman	.....	D7/558
D729,589	S *	5/2015	Logan	.....	D7/558
D783,144	S *	4/2017	Leonard	.....	D23/393
2003/0062359	A1 *	4/2003	Ho	.....	H01L 21/67103 219/444.1
2007/0151517	A1 *	7/2007	Baik	.....	C23C 14/50 118/725
2007/0157466	A1 *	7/2007	Kida	.....	C23C 16/4581 29/852
2007/0221648	A1 *	9/2007	Unno	.....	F27D 3/0084 219/385
2010/0163183	A1 *	7/2010	Tanaka	.....	H01L 21/67109 156/345.27
2013/0136878	A1 *	5/2013	Elliot	.....	B23K 1/0016 428/34.6
2013/0316094	A1 *	11/2013	Leeser	.....	C23C 16/455 427/569
2014/0014642	A1 *	1/2014	Elliot	.....	H01L 21/02002 219/444.1
2014/0341682	A1 *	11/2014	Yang, II	.....	H01L 21/68764 414/226.05
2016/0002779	A1 *	1/2016	Lin	.....	H01L 21/67103 118/500
2016/0020137	A1 *	1/2016	Halpin	.....	H01L 21/68792 403/14

\* cited by examiner

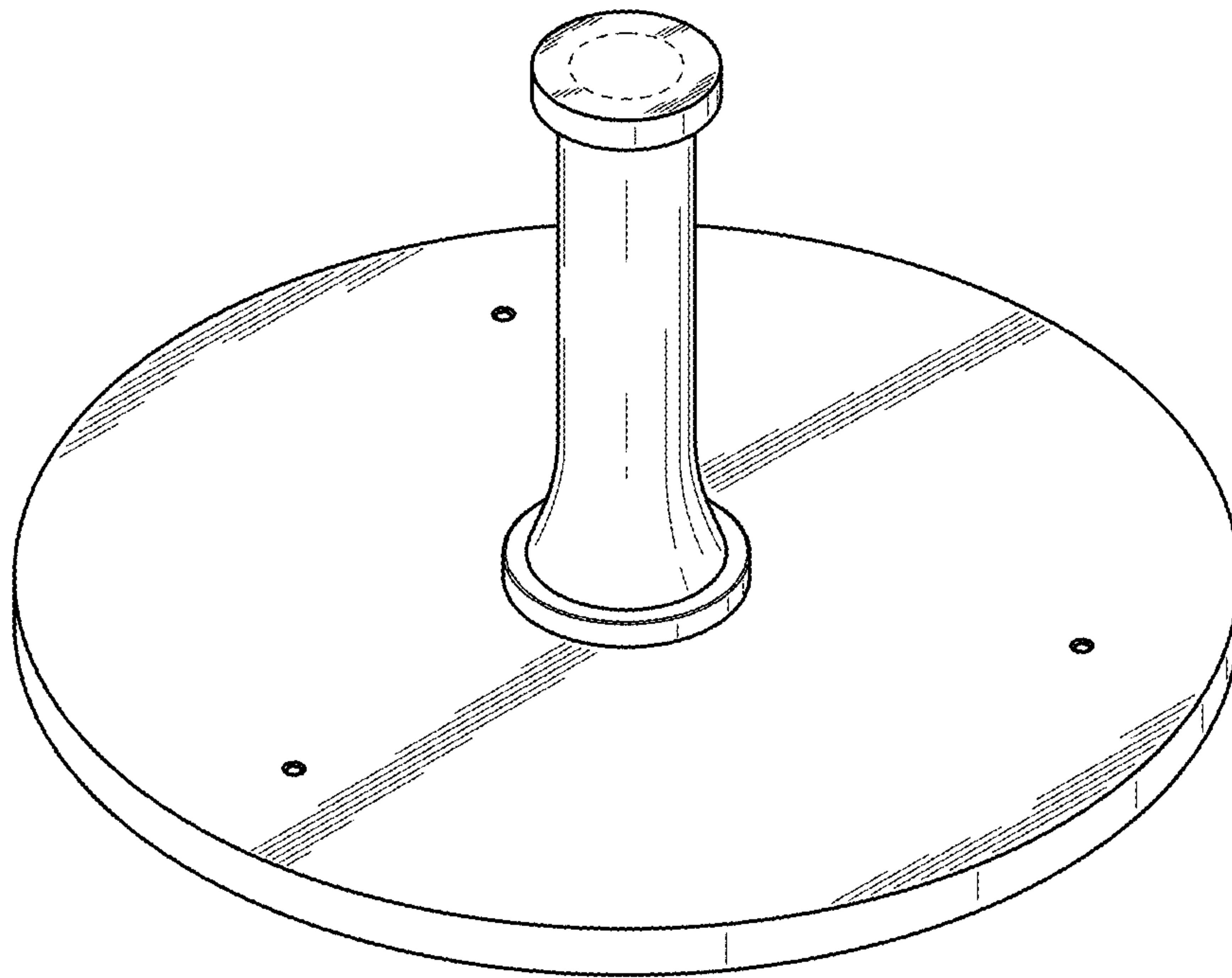


FIG. 1

FIG. 2

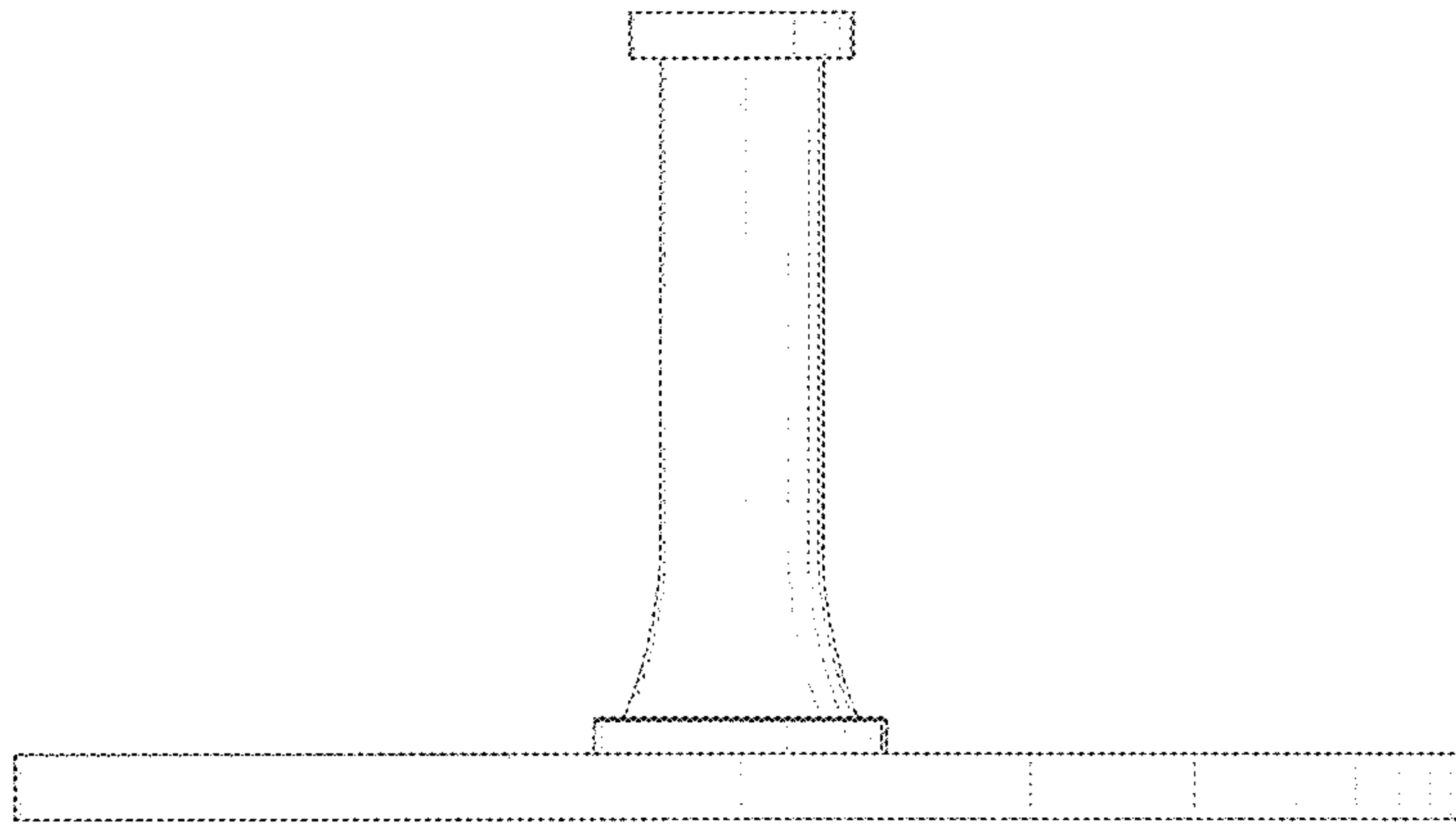


FIG. 3

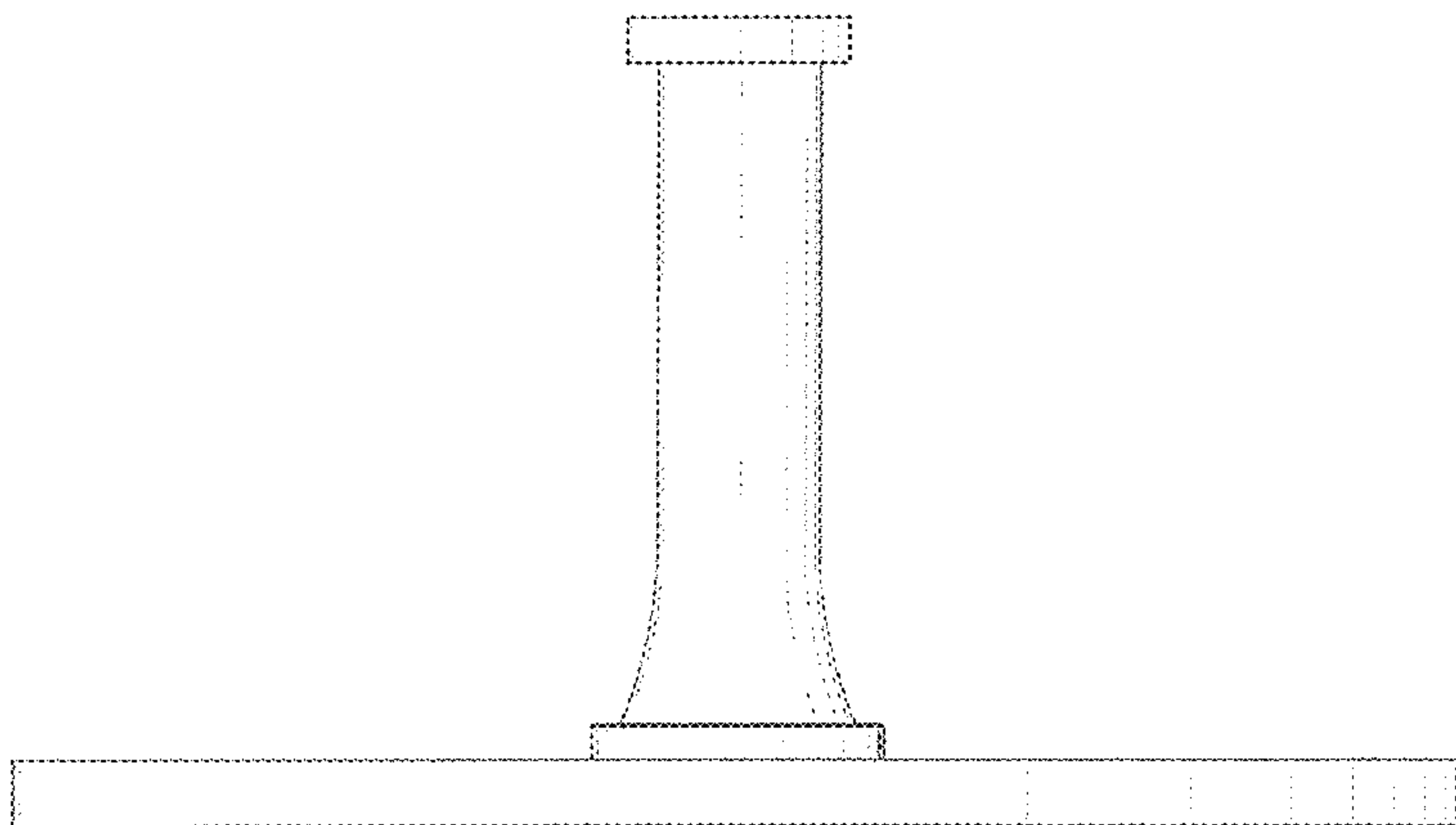


FIG. 4

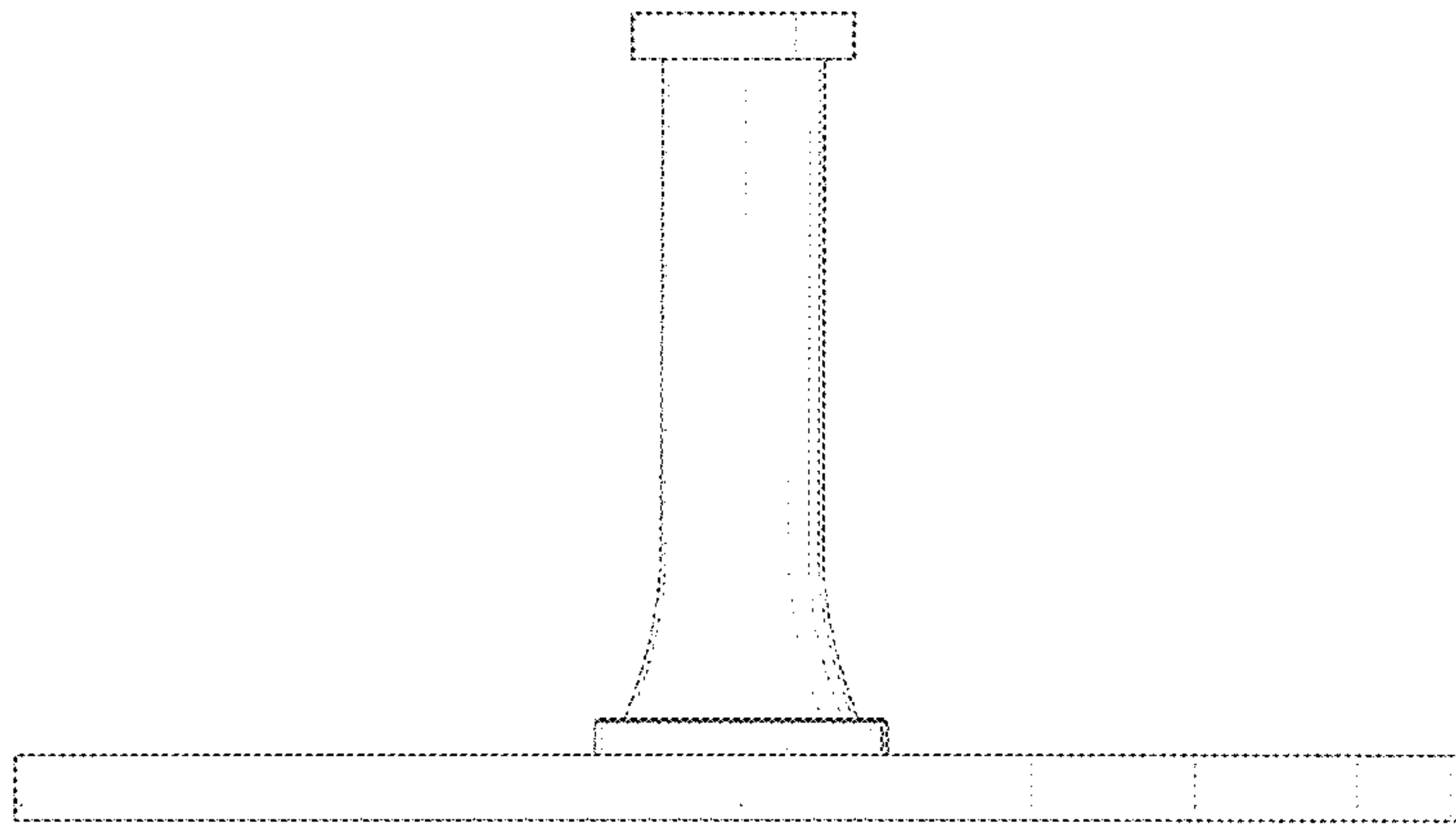
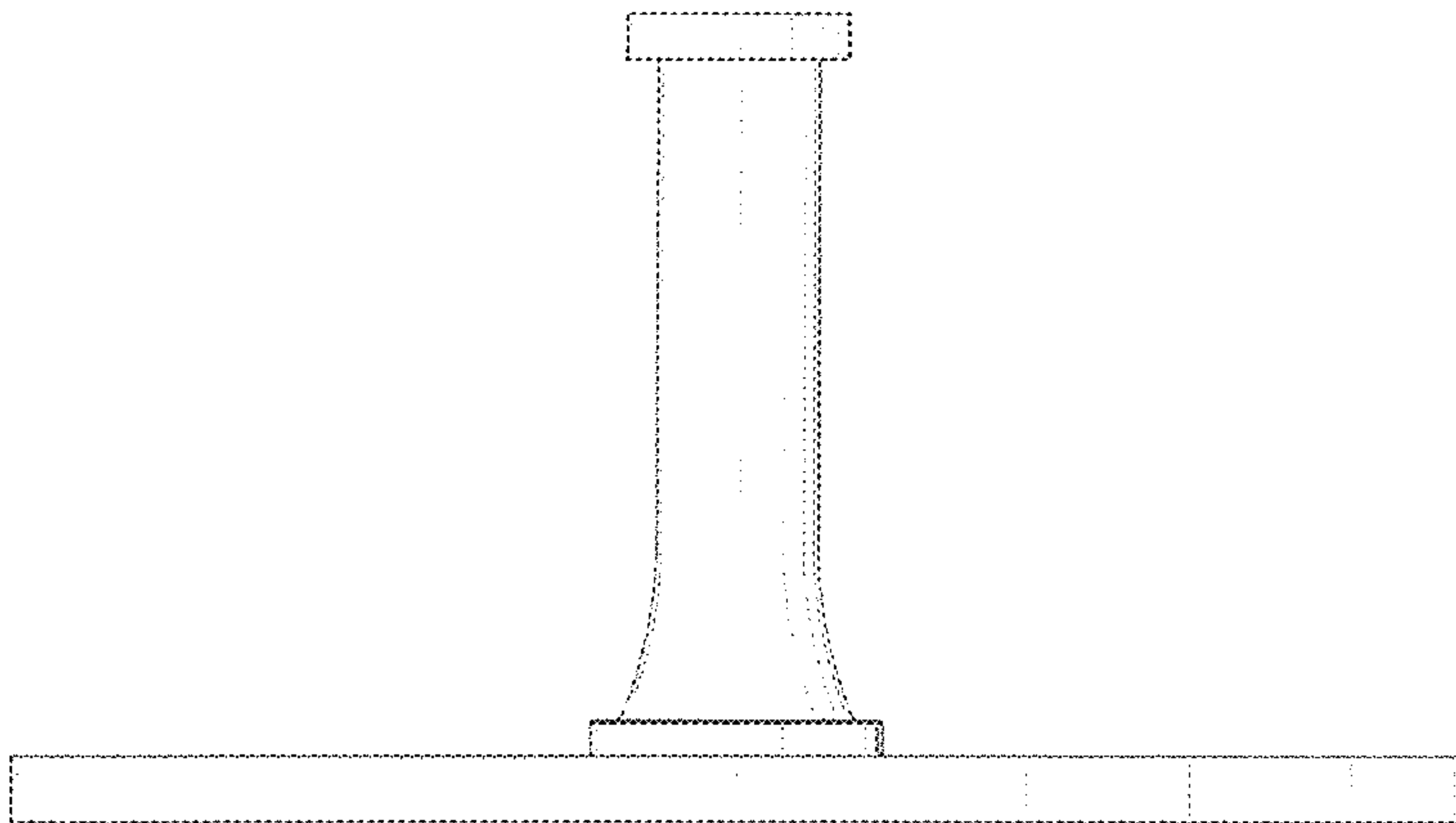


FIG. 5



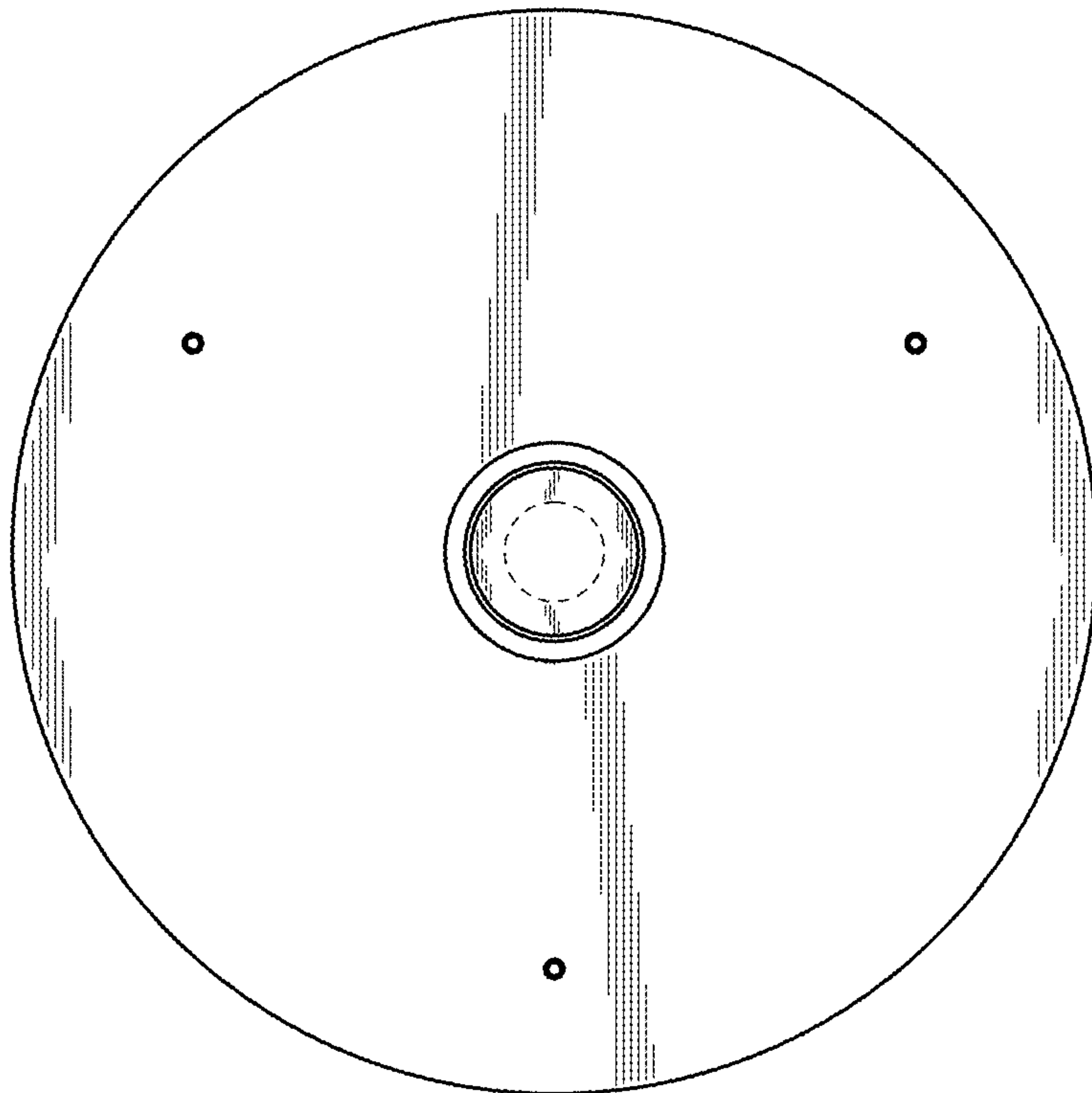


FIG. 6

FIG. 7

