



US00D849809S

(12) **United States Design Patent** (10) **Patent No.:** **US D849,809 S**  
**Hruska et al.** (45) **Date of Patent:** **\*\* May 28, 2019**

- (54) **WELDER ENCLOSURE**
- (71) Applicant: **Lincoln Global, Inc.**, Santa Fe Springs, CA (US)
- (72) Inventors: **Adam M. Hruska**, Chardon, OH (US);  
**Justin M. Makosky**, Hiram, OH (US);  
**Edward A. Enyedy**, Eastlake, OH (US)
- (73) Assignee: **LINCOLN GLOBAL, INC.**, Santa Fe Springs, CA (US)
- (\*\*) Term: **15 Years**
- (21) Appl. No.: **29/640,738**
- (22) Filed: **Mar. 16, 2018**
- (51) **LOC (11) Cl.** ..... **15-09**
- (52) **U.S. Cl.**  
USPC ..... **D15/144; D15/144.2**
- (58) **Field of Classification Search**  
USPC ..... D8/29.1, 30; D13/101, 109, 110, 112,  
D13/116, 122, 123, 133, 144, 184;  
D15/144, 144.1, 144.2, 145, 146  
CPC ... B23K 9/00; B29C 65/1432; B29C 65/1467;  
B29C 65/4815; B29C 65/5042; B29C  
65/5092; B26C 66/1142; B26C 66/43;  
B26C 66/435; B26C 66/73185; B26C  
66/73921  
See application file for complete search history.

- (56) **References Cited**
- U.S. PATENT DOCUMENTS
- |                |         |         |       |                          |
|----------------|---------|---------|-------|--------------------------|
| D243,459 S *   | 2/1977  | Bliss   | ..... | D15/144                  |
| D289,823 S *   | 5/1987  | Chaney  | ..... | D15/144                  |
| D297,783 S *   | 9/1988  | Chaney  | ..... | D15/144                  |
| D475,726 S *   | 6/2003  | Suga    | ..... | D15/144                  |
| D543,222 S *   | 5/2007  | Pester  | ..... | D15/145                  |
| 7,781,700 B2 * | 8/2010  | Harris  | ..... | B23K 9/1062<br>219/130.5 |
| D629,028 S *   | 12/2010 | Johnson | ..... | D15/144                  |
| D653,271 S *   | 1/2012  | Kindig  | ..... | D15/144                  |

- |                |         |             |       |                         |
|----------------|---------|-------------|-------|-------------------------|
| D665,833 S *   | 8/2012  | Raymond     | ..... | D15/144                 |
| 8,267,489 B2 * | 9/2012  | Williams    | ..... | B23K 9/32<br>219/121.39 |
| 8,445,816 B2 * | 5/2013  | Cole        | ..... | B23K 9/32<br>219/130.1  |
| D741,385 S *   | 10/2015 | Evans       | ..... | D15/144                 |
| D752,665 S *   | 3/2016  | Kindig      | ..... | D15/144                 |
| RE46,248 E *   | 12/2016 | Johnson     | ..... | D15/144                 |
| RE46,313 E *   | 2/2017  | Johnson     | ..... | D15/144                 |
| D792,848 S *   | 7/2017  | Poikolainen | ..... | D13/139.4               |
- (Continued)

*Primary Examiner* — Garth Rademaker  
*Assistant Examiner* — Fritzgerald L Butac  
(74) *Attorney, Agent, or Firm* — Brad C. Spencer

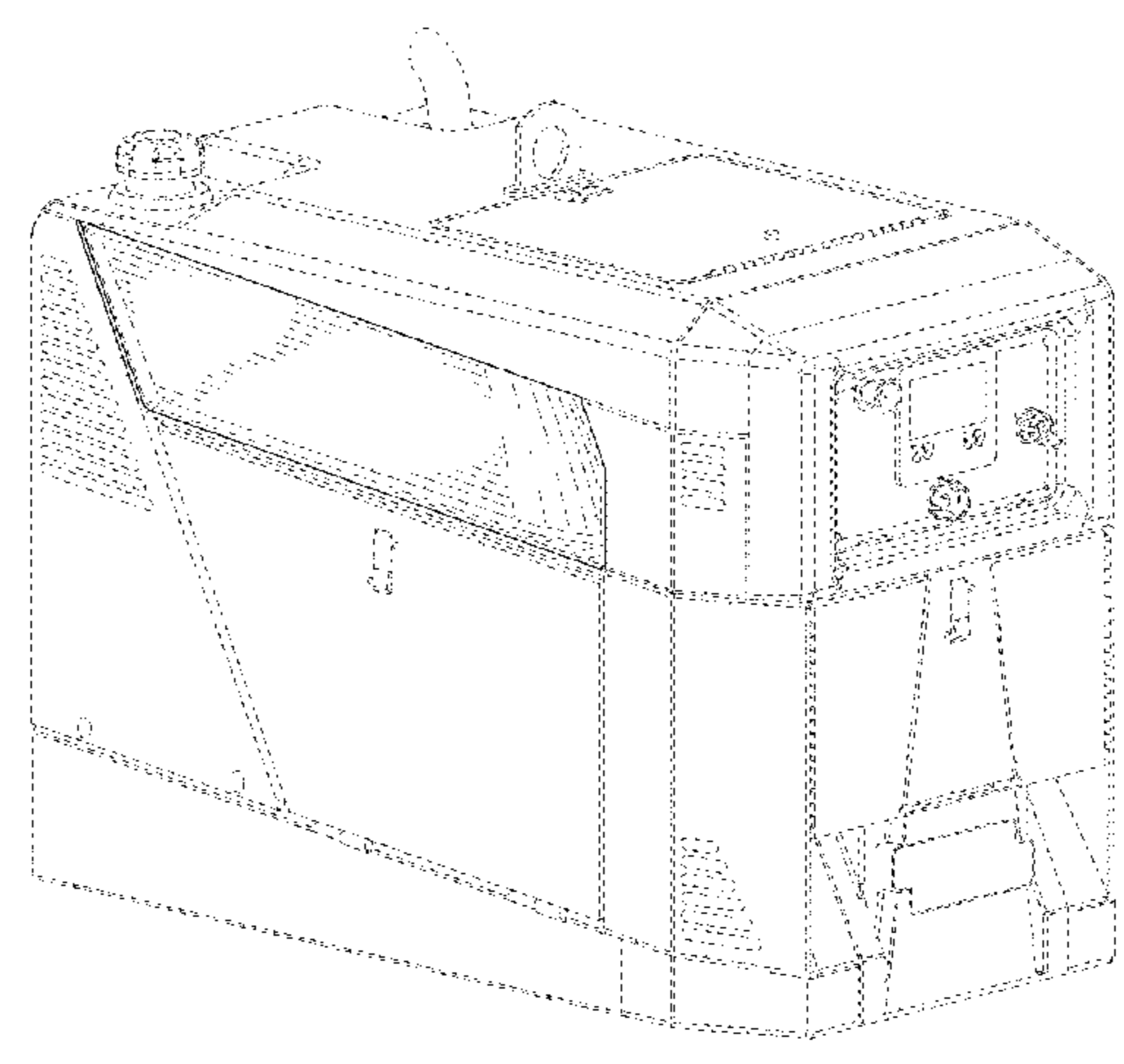
(57) **CLAIM**

The ornamental design for a welder enclosure, as shown and described.

**DESCRIPTION**

FIG. 1 is a front perspective view of a welder enclosure showing our new design;  
FIG. 2 is another front perspective view, taken from top and right side thereof;  
FIG. 3 is a rear perspective view thereof;  
FIG. 4 is another rear perspective view, taken from the top and left side thereof;  
FIG. 5 is another rear perspective view, taken from the bottom and right side thereof;  
FIG. 6 is another rear perspective view, taken from the bottom and left side thereof;  
FIG. 7 is a front elevation view thereof;  
FIG. 8 is a rear elevation view thereof;  
FIG. 9 is a left side elevation view thereof;  
FIG. 10 is a right side elevation view thereof;  
FIG. 11 is a top plan view thereof; and,  
FIG. 12 is a bottom plan view thereof.  
The broken lines show portions of a welder enclosure that form no part of the claimed design.

**1 Claim, 12 Drawing Sheets**



(56)

**References Cited**

## U.S. PATENT DOCUMENTS

9,737,953 B2 \* 8/2017 Chantry ..... B23K 10/006  
9,770,776 B2 \* 9/2017 Farah ..... B23K 9/1081  
9,821,400 B2 \* 11/2017 Hillen ..... B23K 9/095  
9,833,860 B1 \* 12/2017 Peters ..... B23K 10/006  
D807,431 S \* 1/2018 Mathkar ..... D19/59  
D810,161 S \* 2/2018 Snead ..... D15/144  
D811,456 S \* 2/2018 Dekker ..... D15/144  
D812,119 S \* 3/2018 Dekker ..... D15/144  
D821,463 S \* 6/2018 Lin ..... D15/144  
D821,464 S \* 6/2018 Lin ..... D15/144  
D821,465 S \* 6/2018 Lin ..... D15/144  
D822,732 S \* 7/2018 Deivasigamani ..... D15/144  
D827,687 S \* 9/2018 Lin ..... D15/144  
D827,688 S \* 9/2018 Lin ..... D15/144  
D828,293 S \* 9/2018 Li ..... D13/102  
D829,788 S \* 10/2018 Lin ..... D15/144  
2004/0095704 A1 \* 5/2004 Cigelske, Jr. .... B23K 9/32  
361/220  
2017/0036289 A1 \* 2/2017 Enyedy ..... B23K 9/1006  
2017/0036290 A1 \* 2/2017 Enyedy ..... B23K 9/1006  
2017/0036291 A1 \* 2/2017 Enyedy ..... B23K 9/1075

\* cited by examiner

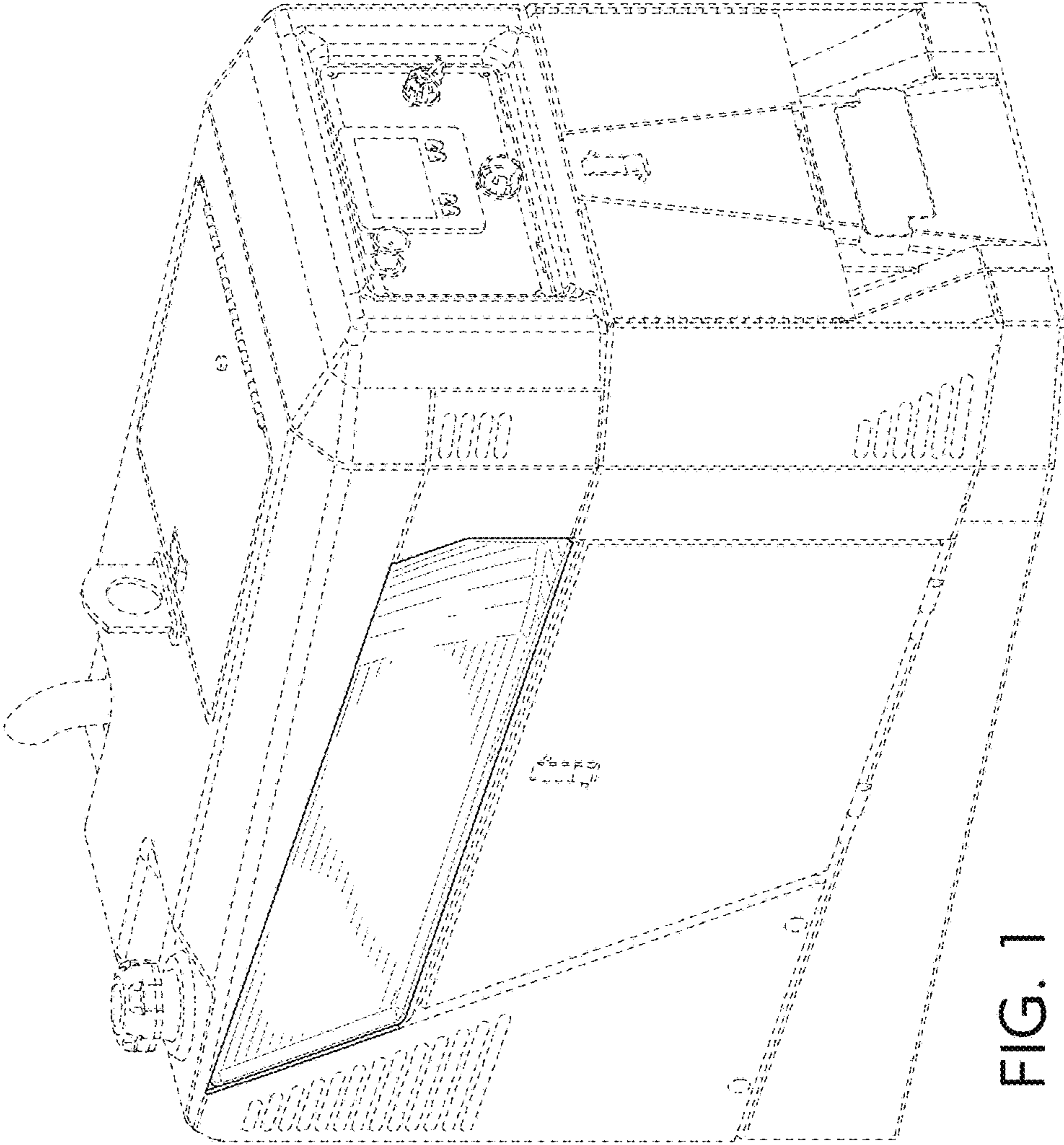
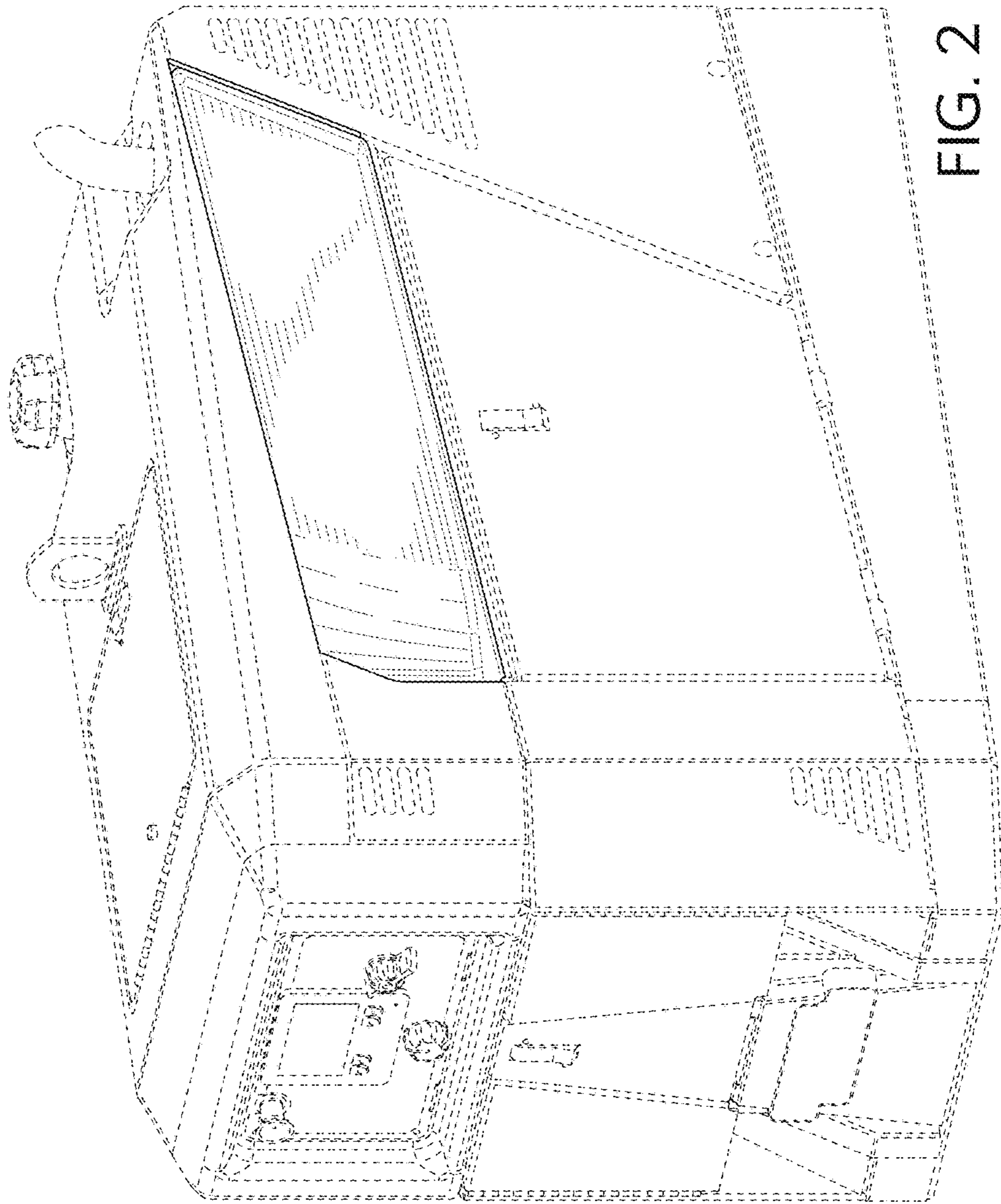


FIG. 1





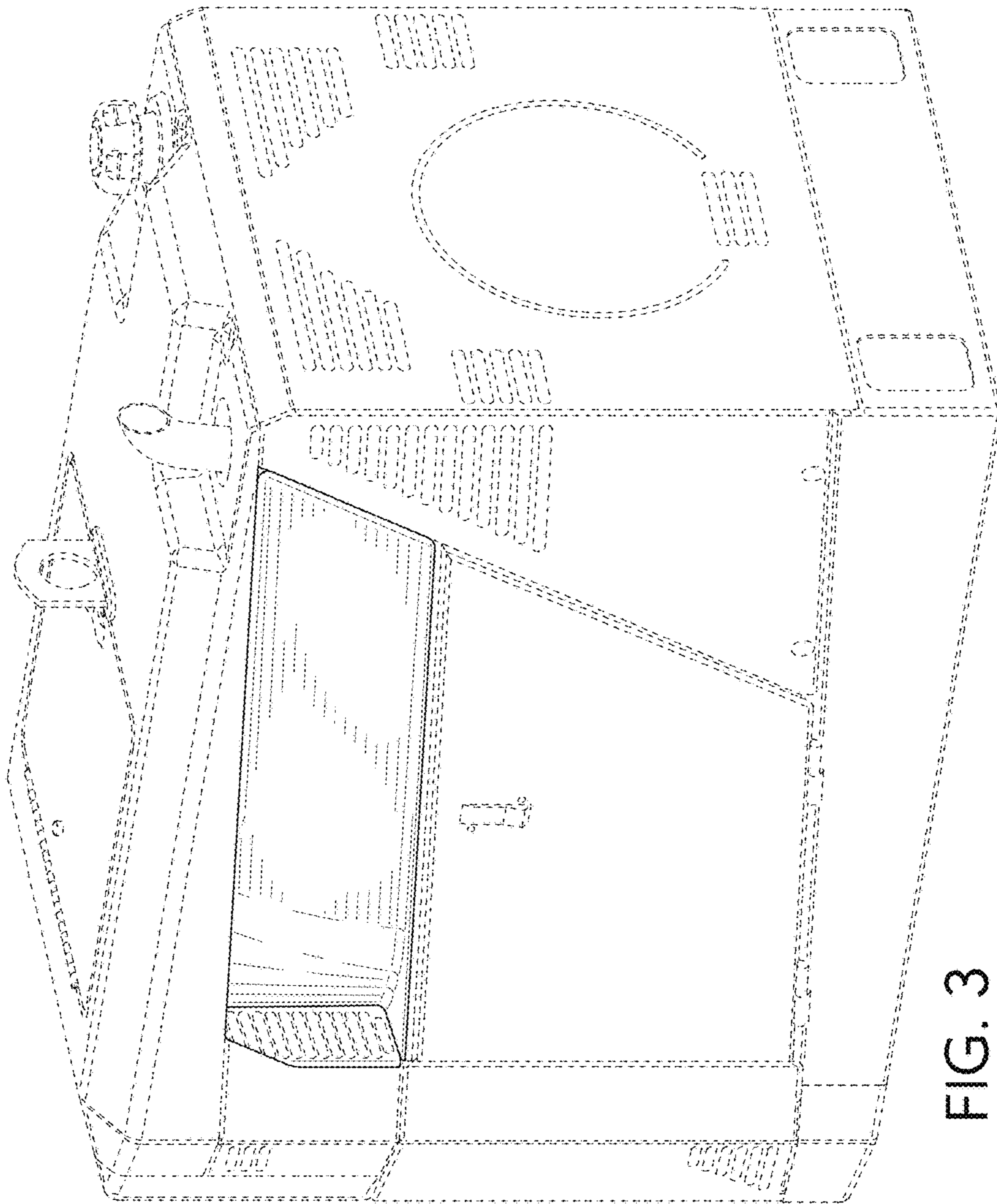


FIG. 3

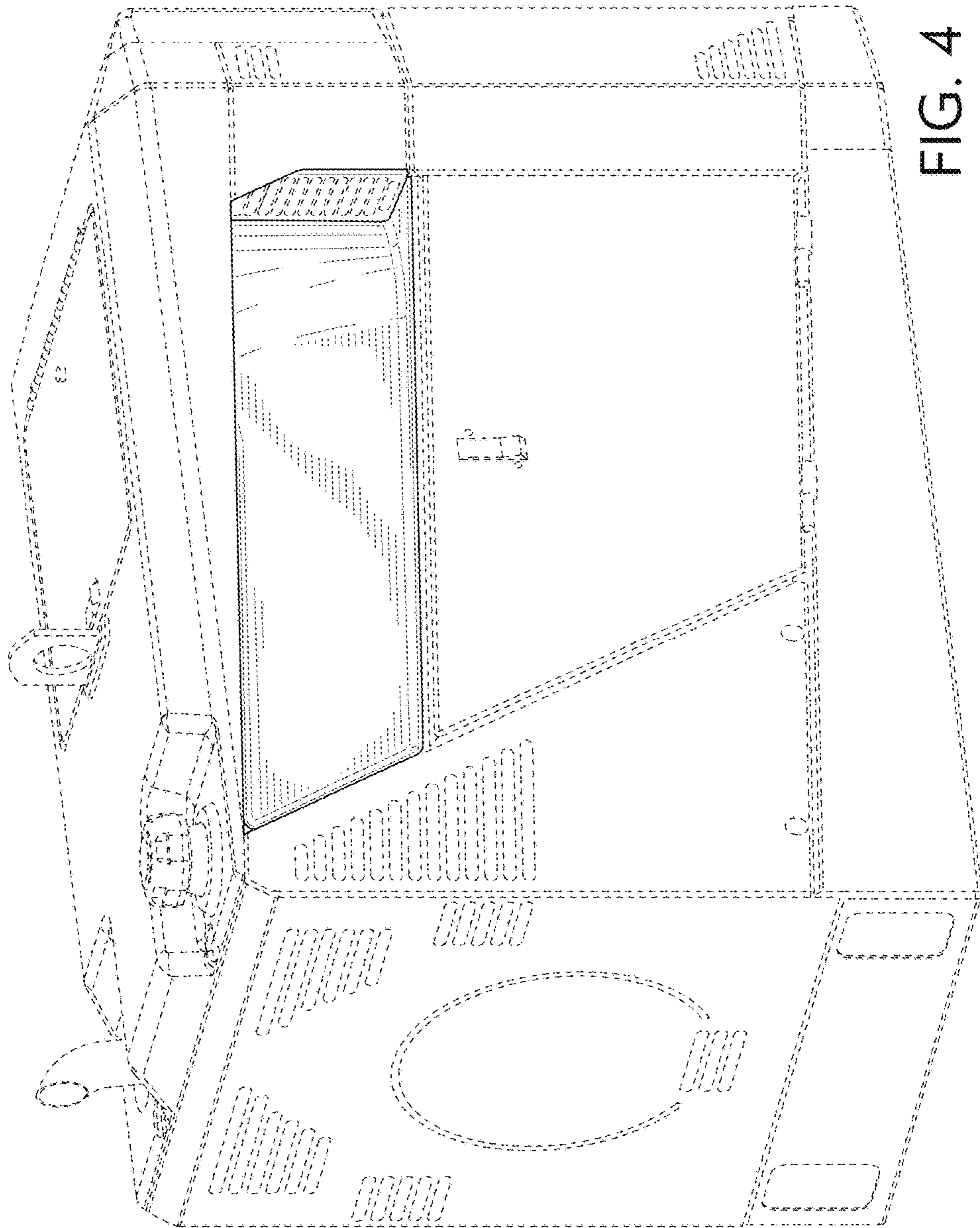


FIG. 4

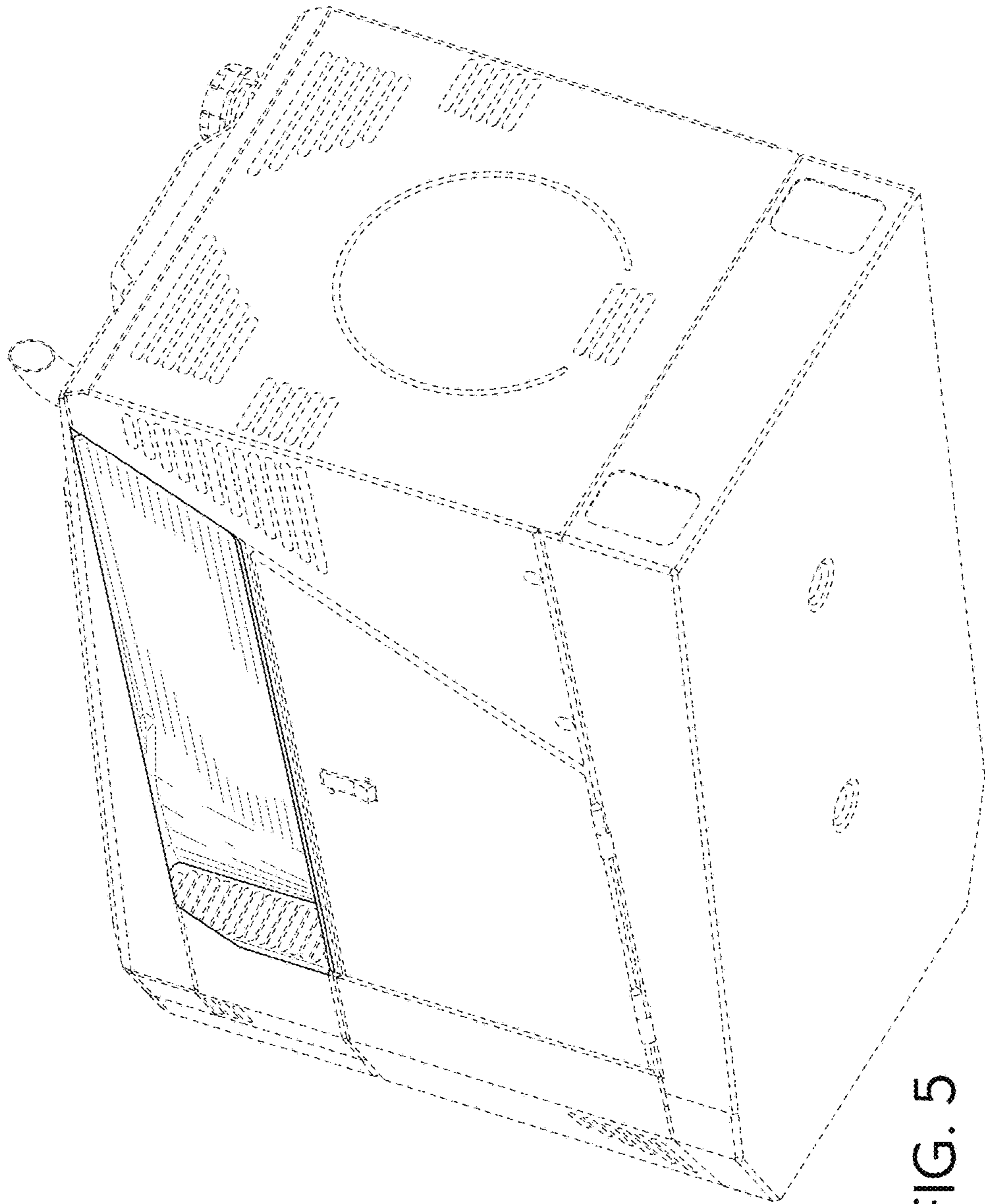


FIG. 5

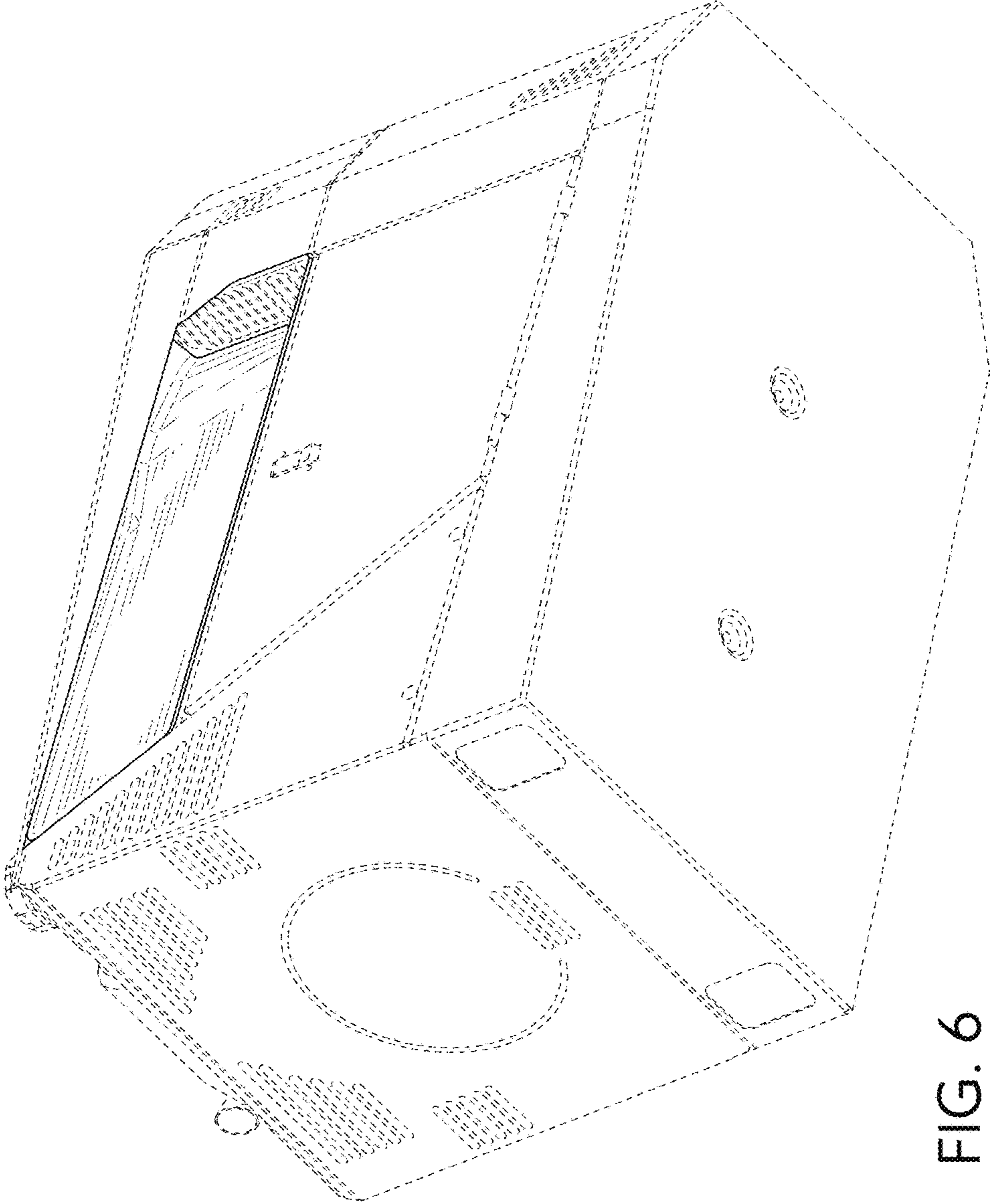


FIG. 6



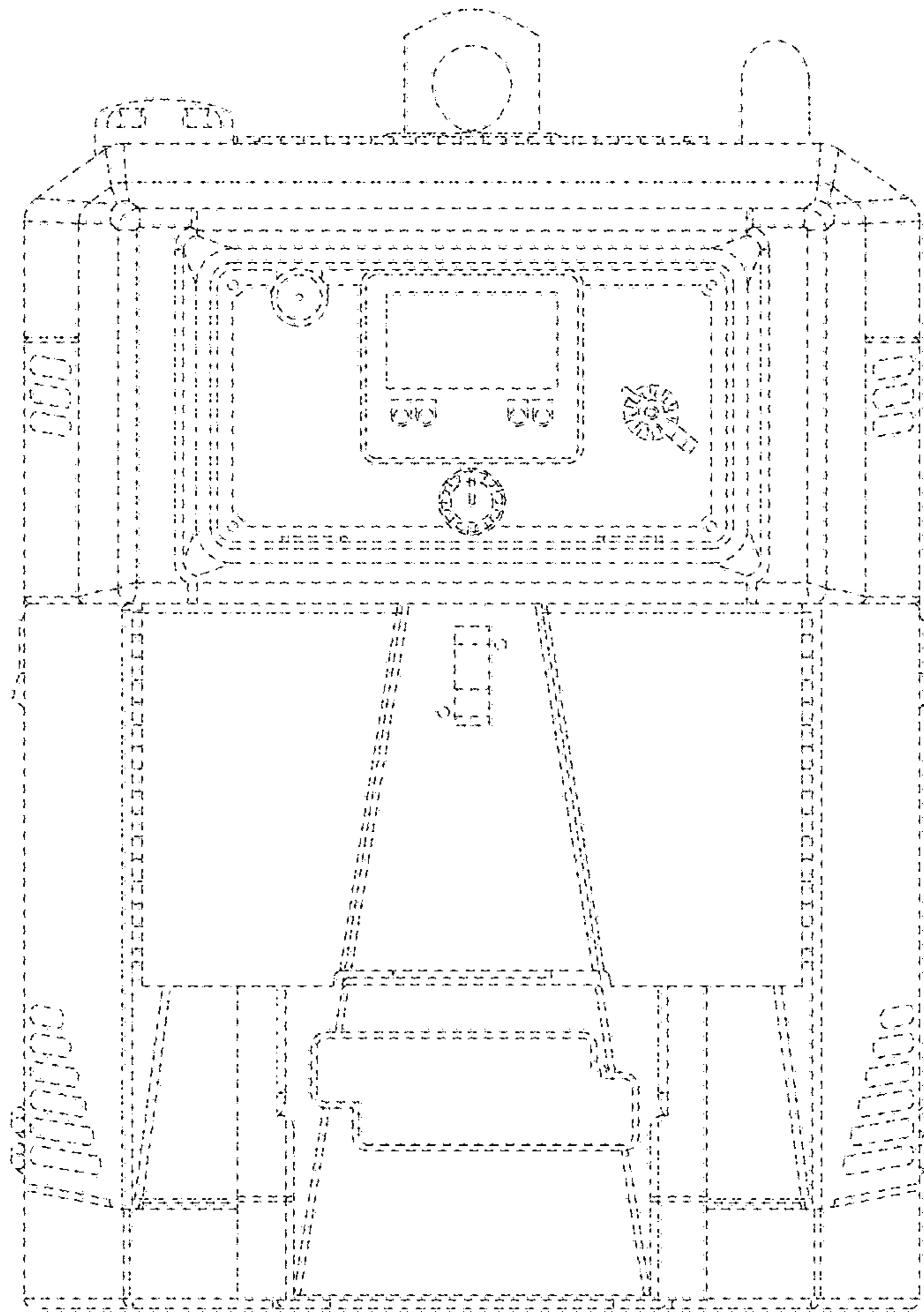


FIG. 7

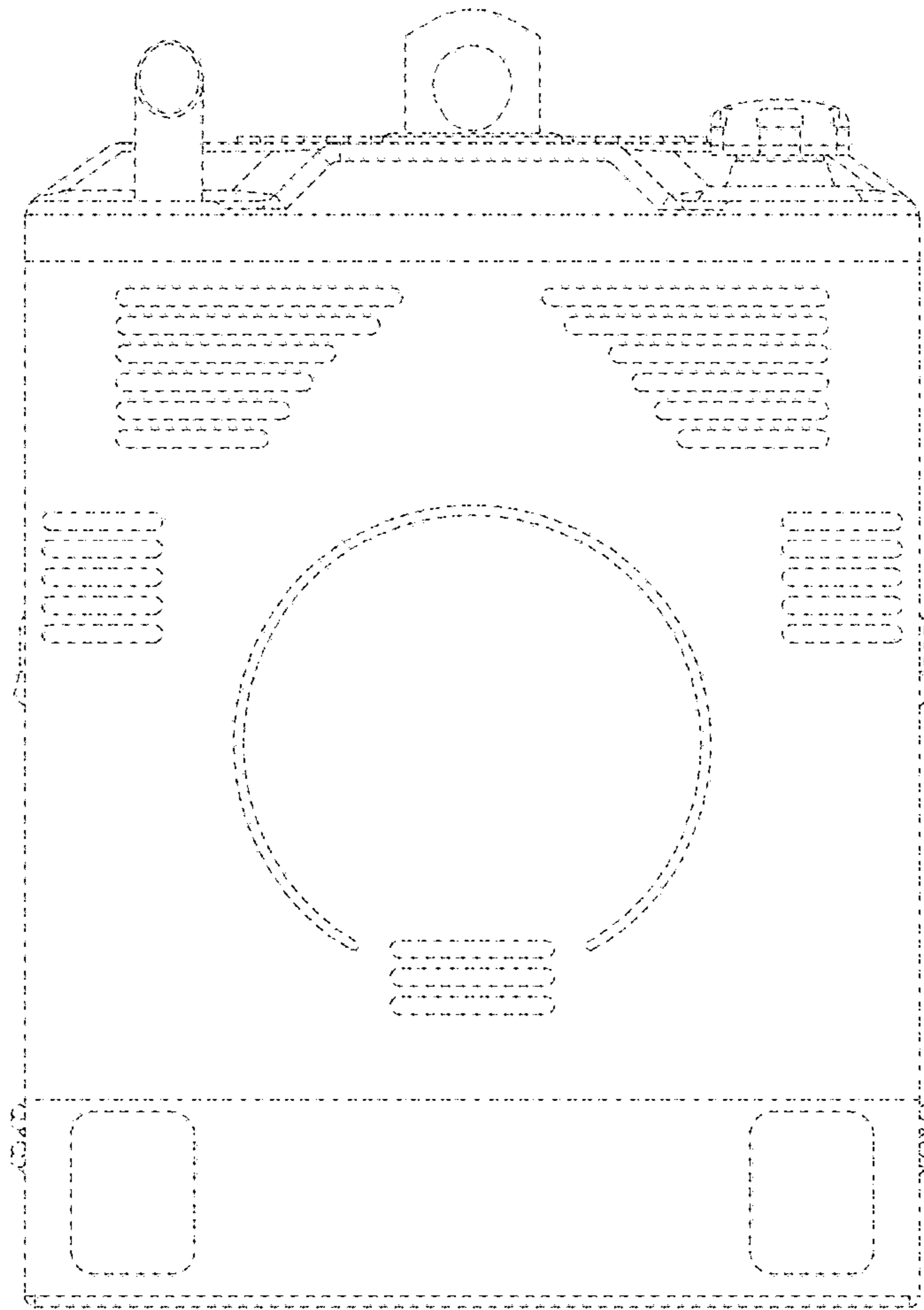


FIG. 8

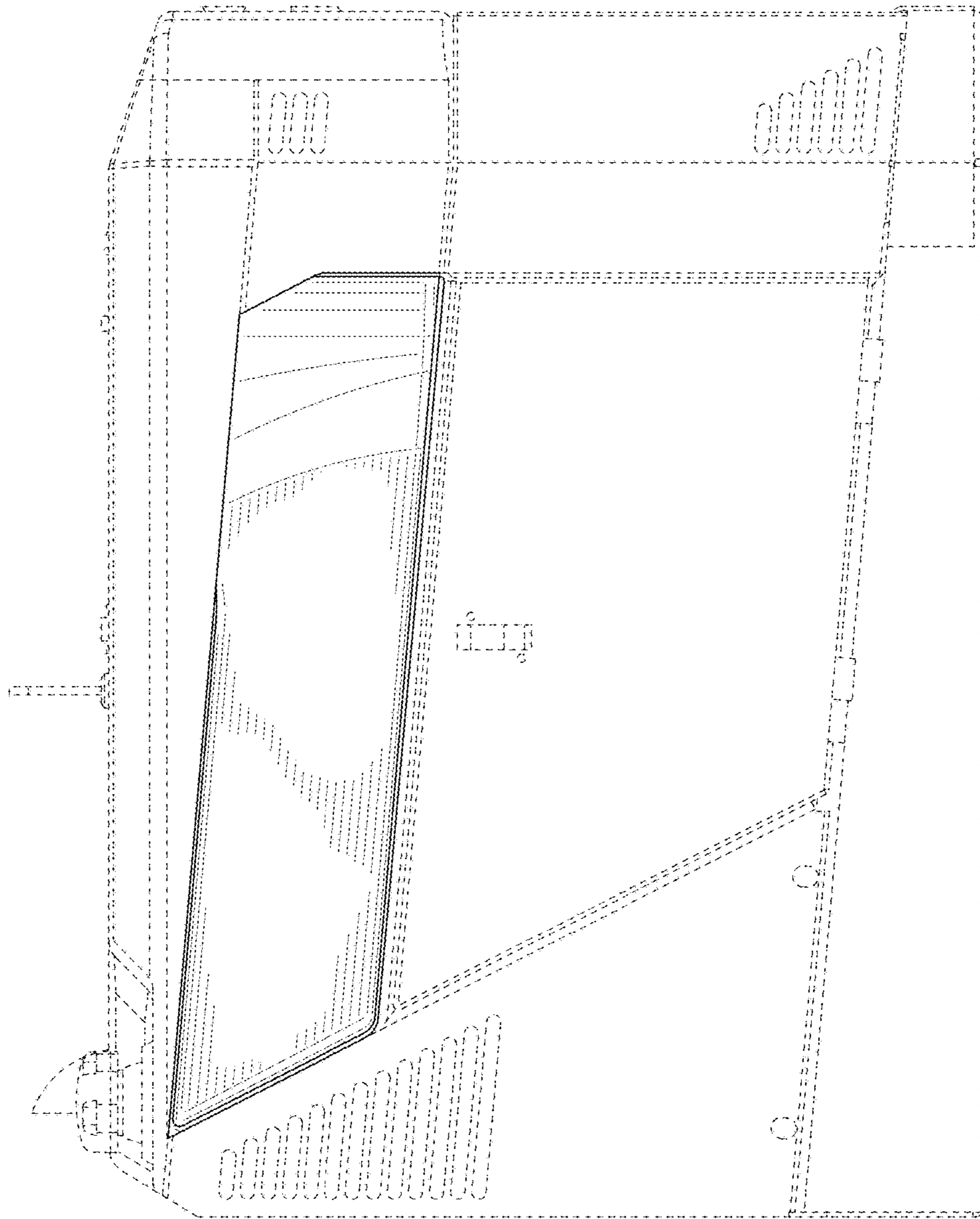


FIG. 9

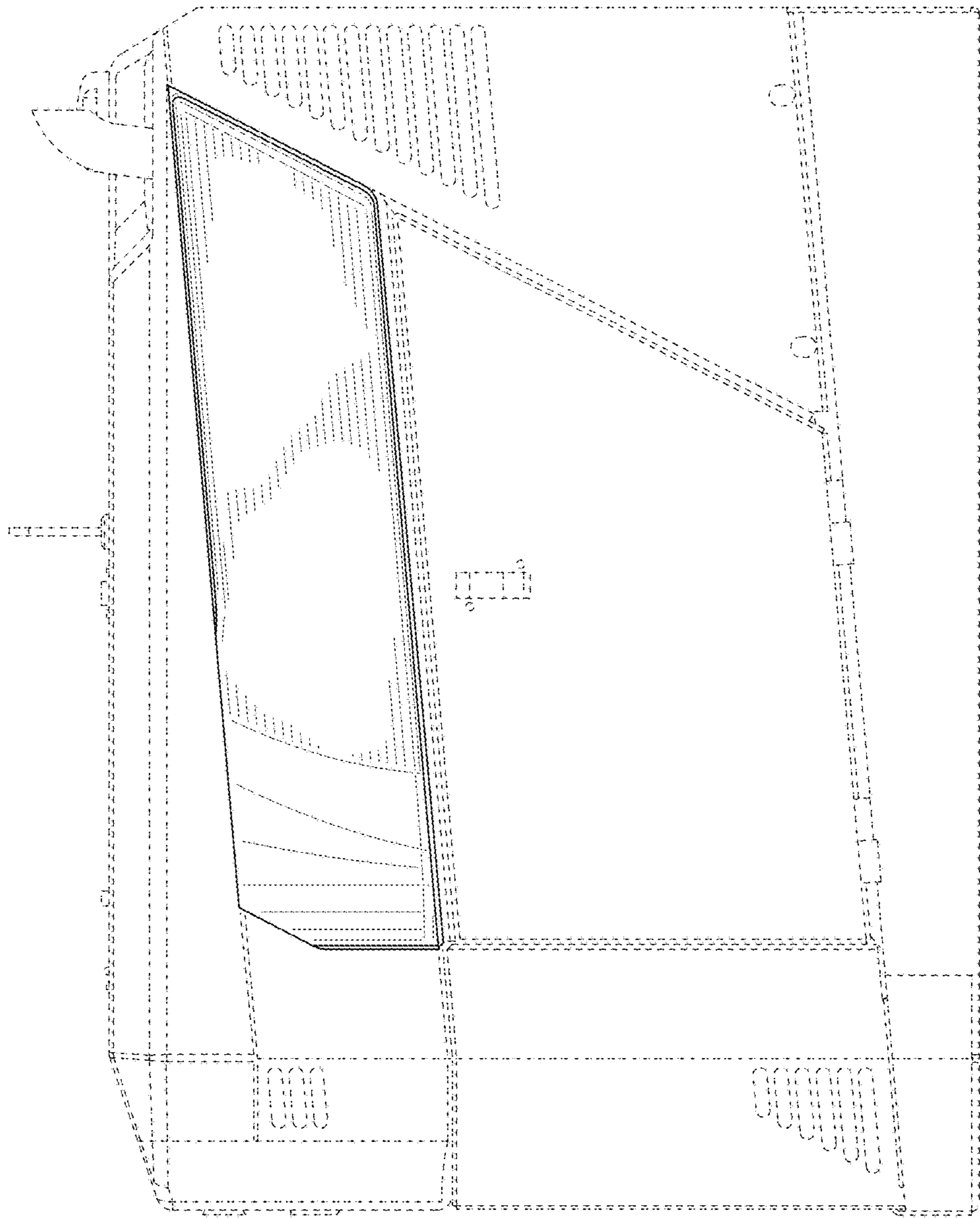


FIG. 10



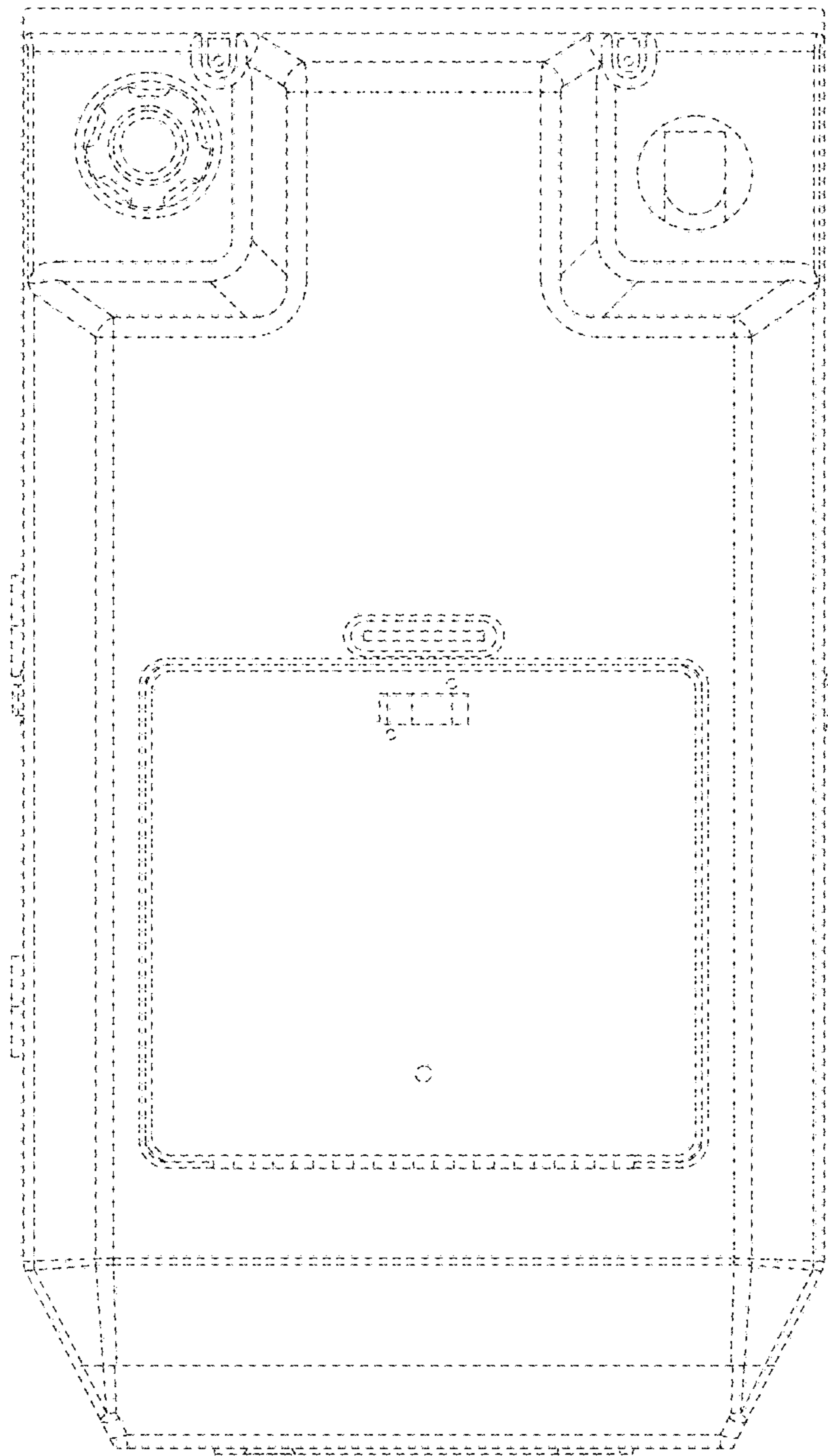


FIG. 11

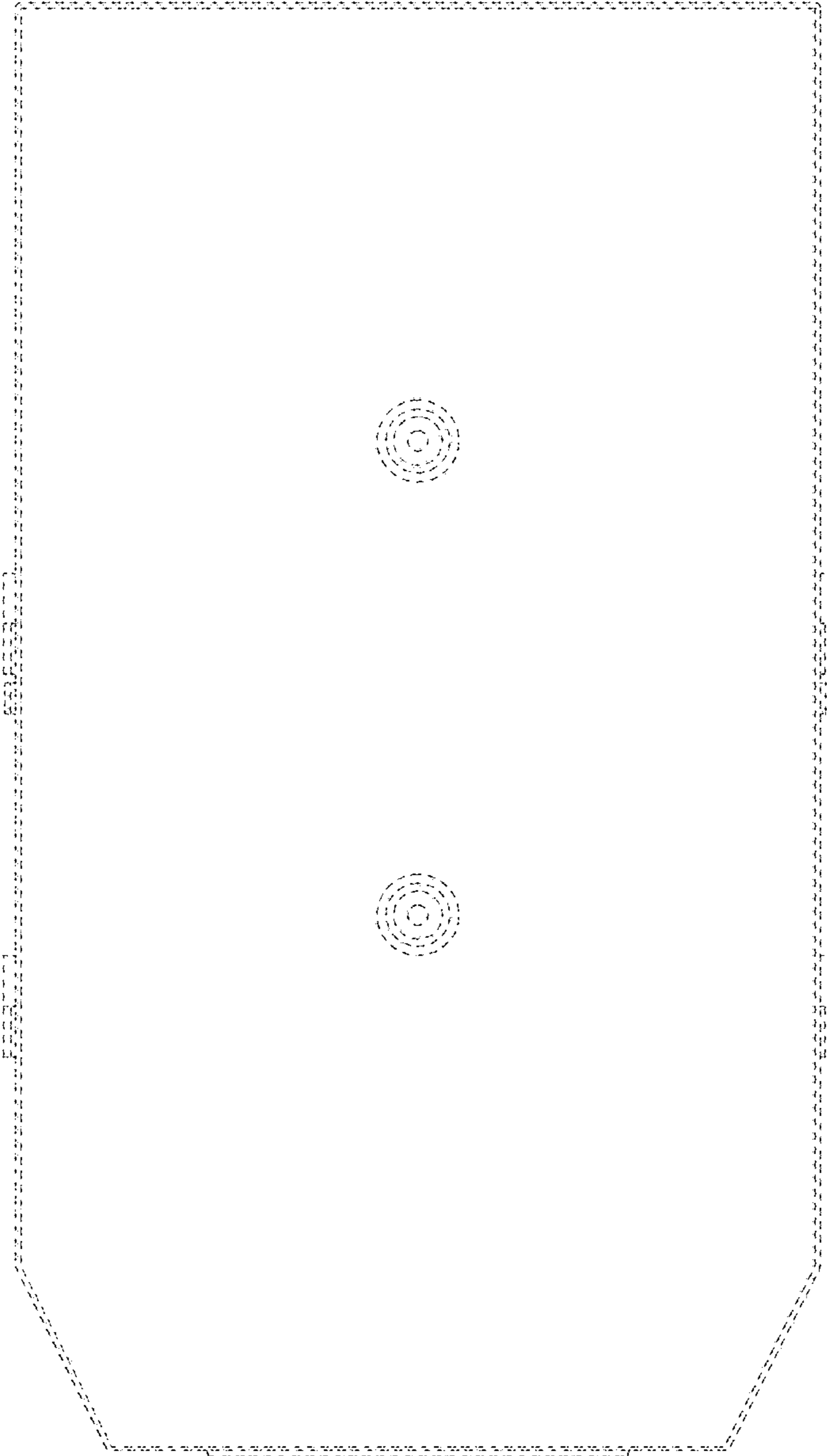


FIG. 12