

US00D849808S

(12) **United States Design Patent** (10) **Patent No.:** **US D849,808 S**
Assmann (45) **Date of Patent:** **** May 28, 2019**

(54) **HANDLE GRIP**
(71) Applicant: **Alexander Binzel Schweisstechnik GmbH & Co. KG**, Buseck (DE)
(72) Inventor: **Steffen Assmann**, Freital (DE)
(73) Assignee: **Alexander Binzel Schweisstechnik GmbH & Co. KG**, Buseck (DE)
(**) Term: **15 Years**
(21) Appl. No.: **29/557,871**
(22) Filed: **Mar. 14, 2016**
(51) **LOC (11) Cl.** **15-09**
(52) **U.S. Cl.**
USPC **D15/144**; D8/107
(58) **Field of Classification Search**
USPC D15/144–144.2; D8/10, 30, 80, 107;
D7/361, 393, 395; D4/131–136, 138
CPC B25G 1/02
See application file for complete search history.

(56) **References Cited**

U.S. PATENT DOCUMENTS

D396,754 S *	8/1998	Chang	D4/138
D445,663 S *	7/2001	Chen	D8/107
D447,925 S *	9/2001	Osborne	D7/393
D466,388 S *	12/2002	Chemtob	D8/107
D498,130 S *	11/2004	Tomchak	D8/107
D514,330 S *	2/2006	Potempa	D4/138
D532,432 S *	11/2006	Owens	D15/144
D535,542 S *	1/2007	Engvall	D8/107
D537,092 S *	2/2007	Owens	D15/144
D583,644 S *	12/2008	Hao	D8/107
D638,270 S *	5/2011	Flattinger	D8/107
D647,382 S *	10/2011	Flattinger	D8/107
8,047,099 B2 *	11/2011	St. John	B25D 1/04 81/20
D679,976 S *	4/2013	Chiu	D8/107
D683,773 S *	6/2013	Boyer	D15/144
D689,356 S *	9/2013	Yang	D8/107

D705,631 S * 5/2014 Waldron B25G 1/102
D8/107
D715,061 S * 10/2014 Schouten D4/133
D757,510 S * 5/2016 Caglar D8/21
(Continued)

OTHER PUBLICATIONS

“YouTube—MB EVO PRO. The standard redefined.” Found online Aug. 8, 2018 at www.youtube.com. Video published Oct. 13, 2016. Retrieved from URL: https://www.youtube.com/watch?v=BVM2bNHAFtU&feature=youtu.be (Year: 2016).*
(Continued)

Primary Examiner — Garth Rademaker
Assistant Examiner — Katelin G Kloberg
(74) *Attorney, Agent, or Firm* — Rogowski Law LLC

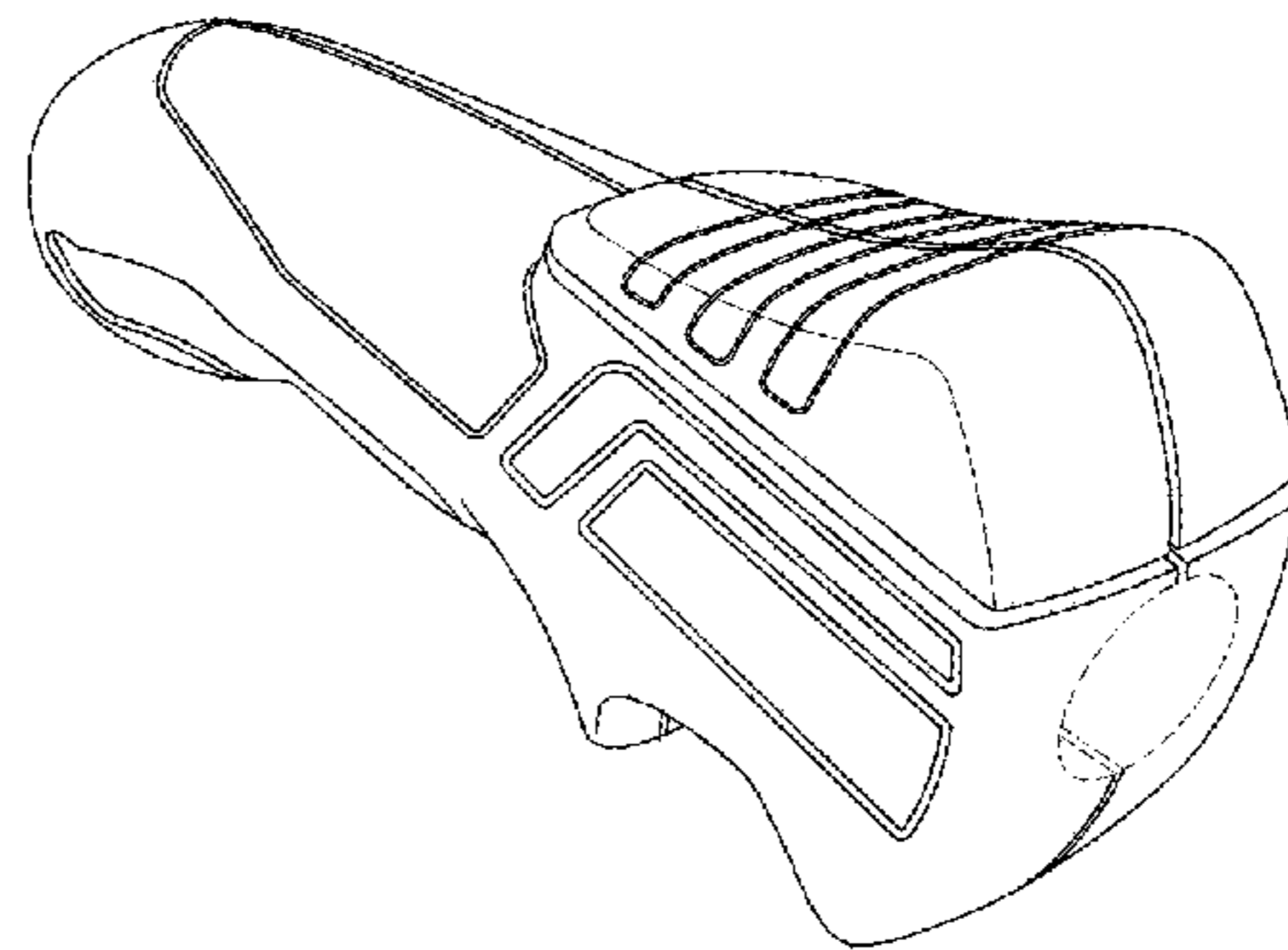
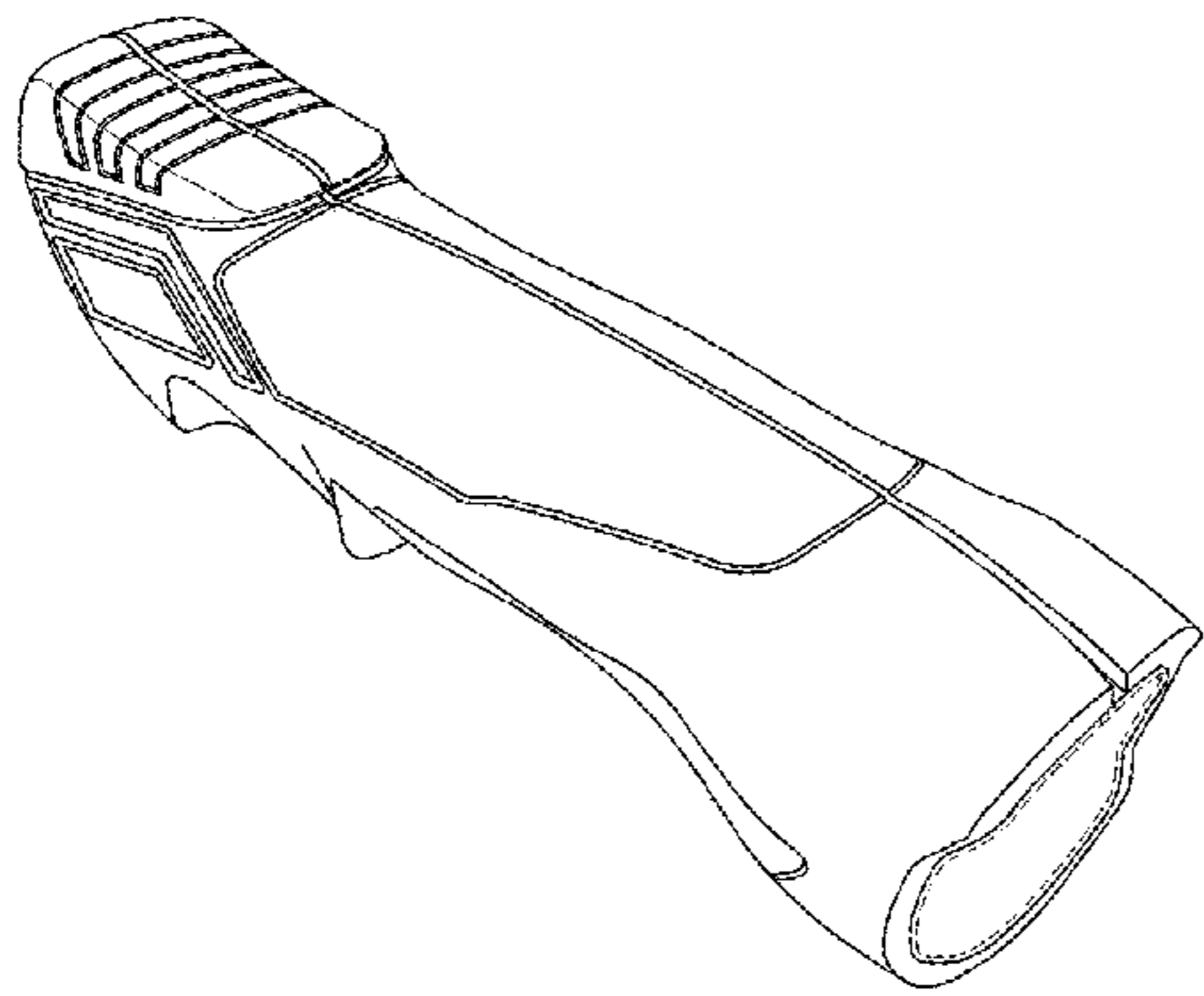
(57) **CLAIM**

The ornamental design for a handle grip, as shown and described.

DESCRIPTION

FIG. 1 is a right front perspective view of a handle grip according to my invention;
FIG. 2 is a left rear perspective view of the handle grip of FIG. 1;
FIG. 3 is a front elevational view of the handle grip of FIG. 1;
FIG. 4 is a rear elevational view of the handle grip of FIG. 1;
FIG. 5 is a top plan view of the handle grip of FIG. 1;
FIG. 6 is a bottom plan view of the handle grip of FIG. 1; and,
FIG. 7 is a left side elevational view of the handle grip of FIG. 1.
In the drawings, the broken lines depict portions of the article which form no part of the claimed design.

1 Claim, 4 Drawing Sheets



(56)

References Cited

U.S. PATENT DOCUMENTS

D757,511 S * 5/2016 Caglar D8/22
D814,264 S * 4/2018 Werdowatz D8/303

OTHER PUBLICATIONS

“Weldflame MB-15-AK MIG/MAG Welding Torch.” Found online Aug. 8, 2018 at www.amazon.com. Product first available Oct. 10, 2017. Retrieved from URL: <https://tinyurl.com/yax5pccb> (Year: 2017).*

“Welding Gun Torch 150A Mig Welder Torch Binzel Type CO2 MB15.” Found online Aug. 8, 2018 at www.amazon.com. Product first available Mar. 22, 2016. Retrieved from URL: https://www.amazon.com/dp/B01DA14PYM/ref=psdc_13400531_t3_B076CLYGC8 (Year: 2016).*

“Euro-Connection MIG Welding Torch Type 15.” Found online Aug. 8, 2018 at www.weldequip.com. Image dated Dec. 16, 2013. Retrieved from URL: https://tineye.com/search/948b81ead5b7a43b598d7d4d57ad512c09543d55/?extension_ver=chrome-1.2.0 (Year: 2013).*

* cited by examiner

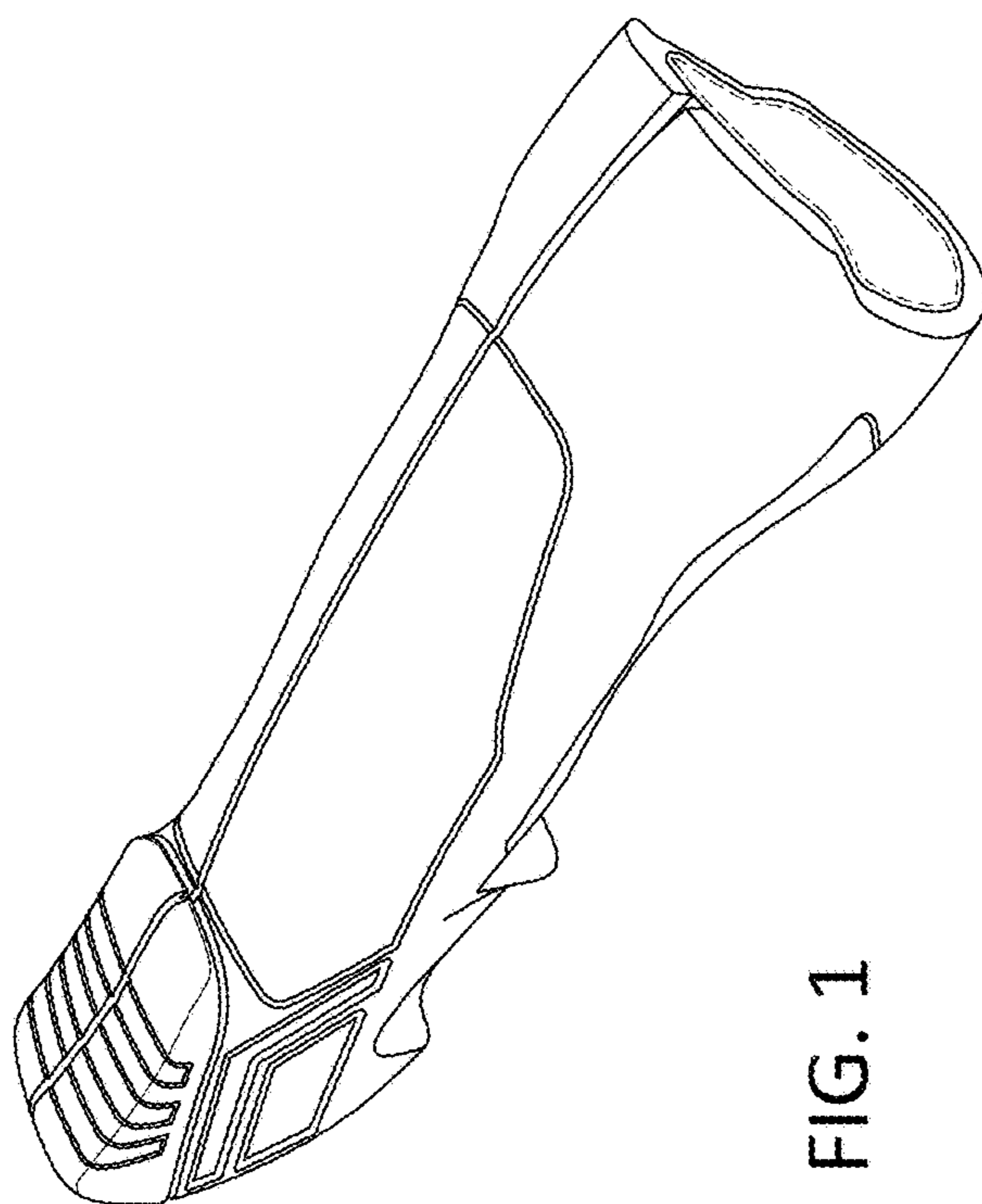


FIG. 1

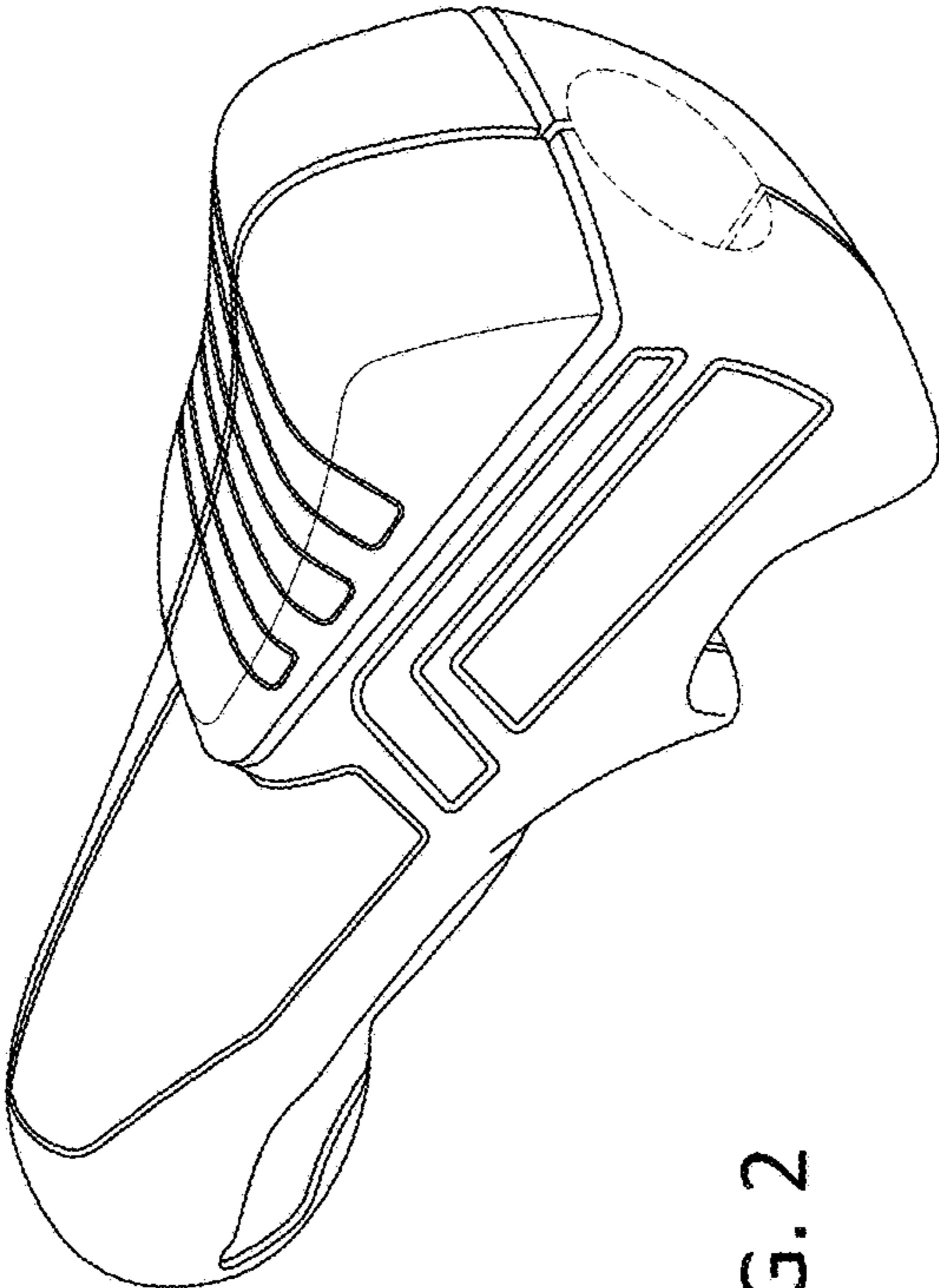


FIG. 2

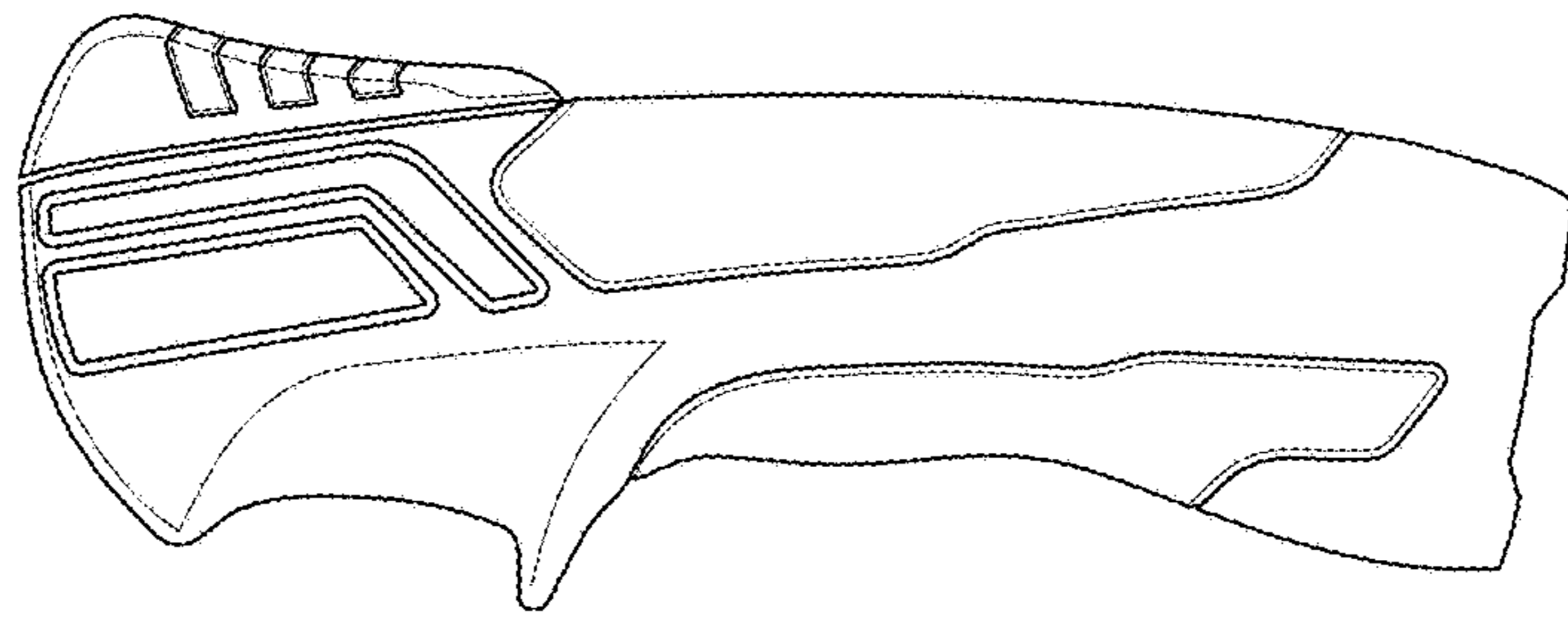


FIG. 3

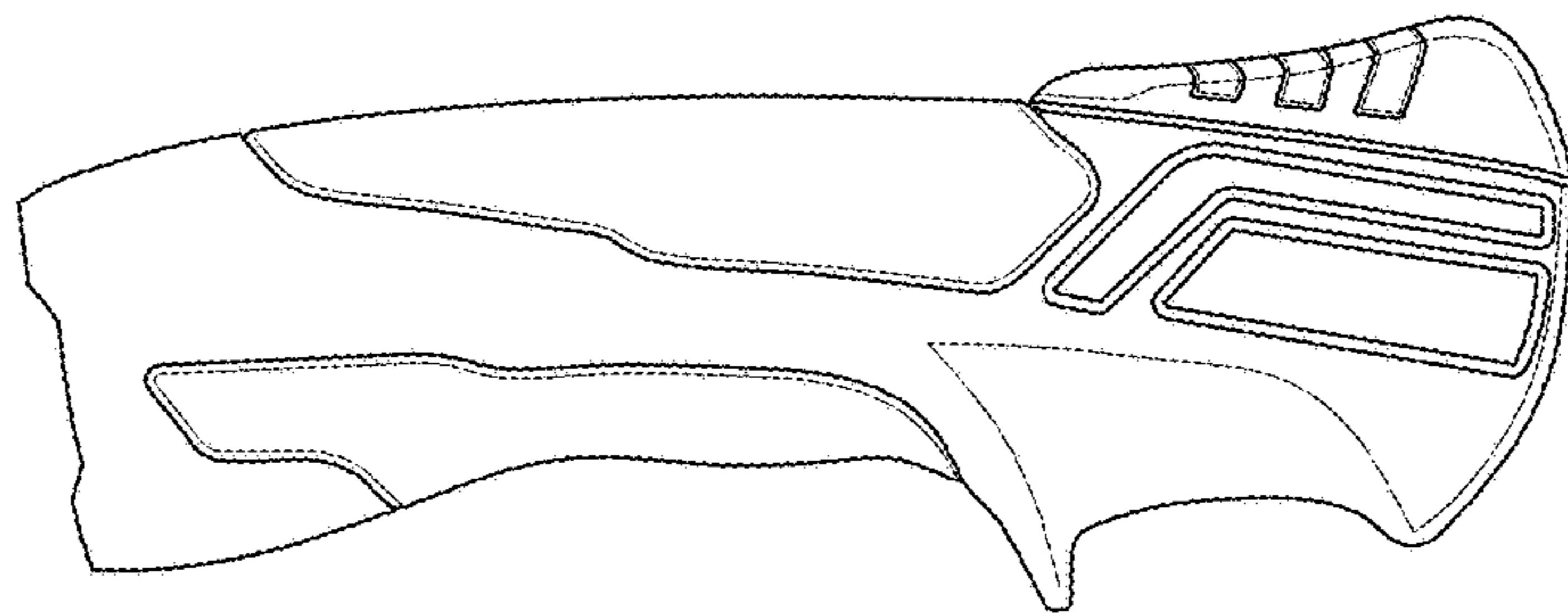


FIG. 4

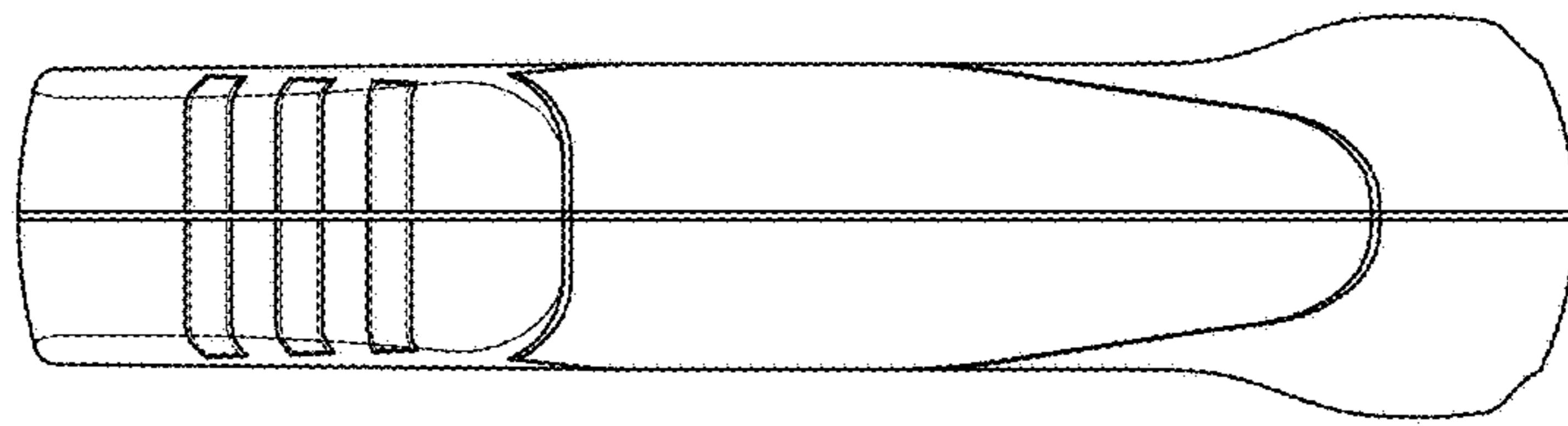


FIG. 5

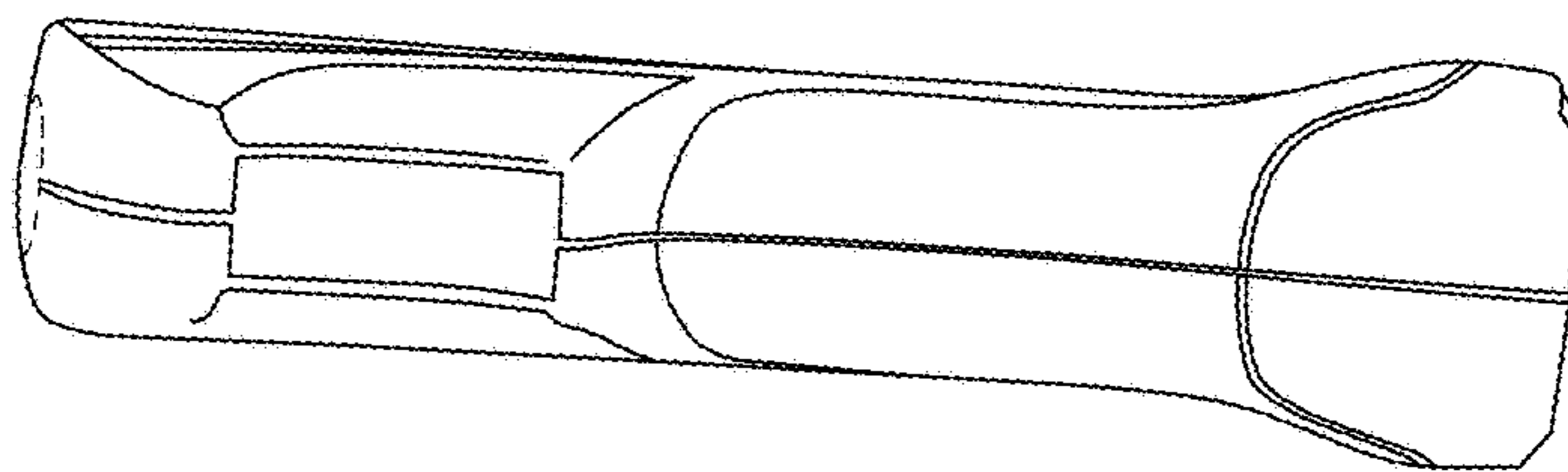


FIG. 6

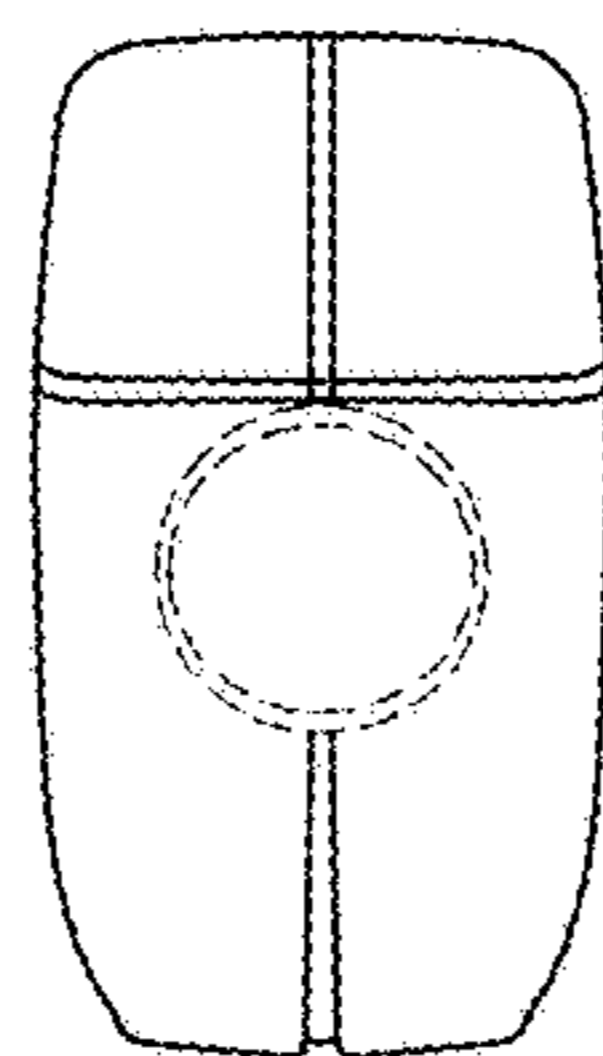


FIG. 7