



US00D849804S

(12) **United States Design Patent**  
**Seo et al.**

(10) **Patent No.:** **US D849,804 S**  
(45) **Date of Patent:** **\*\* May 28, 2019**

(54) **REFRIGERATOR**

(71) Applicant: **SAMSUNG ELECTRONICS CO., LTD.**, Suwon-si, Gyeonggi-do (KR)

(72) Inventors: **Hyeongju Seo**, Seoul (KR); **Selim Yoon**, Seongnam-si (KR); **Sunmin Lee**, Seoul (KR); **Junkyo Lee**, Seongnam-si (KR); **Jongsu Jeon**, Seongnam-si (KR)

(73) Assignee: **SAMSUNG ELECTRONICS CO., LTD.**, Gyeonggi-Do (KR)

(\*\*) Term: **15 Years**

(21) Appl. No.: **29/632,971**

(22) Filed: **Jan. 11, 2018**

(30) **Foreign Application Priority Data**

Aug. 17, 2017 (KR) ..... 30-2017-0038254

(51) **LOC (11) Cl.** ..... **15-07**

(52) **U.S. Cl.**  
USPC ..... **D15/89**

(58) **Field of Classification Search**  
USPC ..... D15/79-91; D6/707, 707.7, 324, 705, D6/705.7, 702, 706, 707.19, 675.3, 672,  
(Continued)

(56) **References Cited**

**U.S. PATENT DOCUMENTS**

D142,904 S \* 11/1945 Paddock ..... D15/89  
D802,631 S \* 11/2017 Seo ..... D15/90  
(Continued)

**FOREIGN PATENT DOCUMENTS**

KR 300332021 S 9/2003  
KR 300506769 S 9/2008  
(Continued)

*Primary Examiner* — Khawaja Anwar

(74) *Attorney, Agent, or Firm* — Cantor Colburn LLP

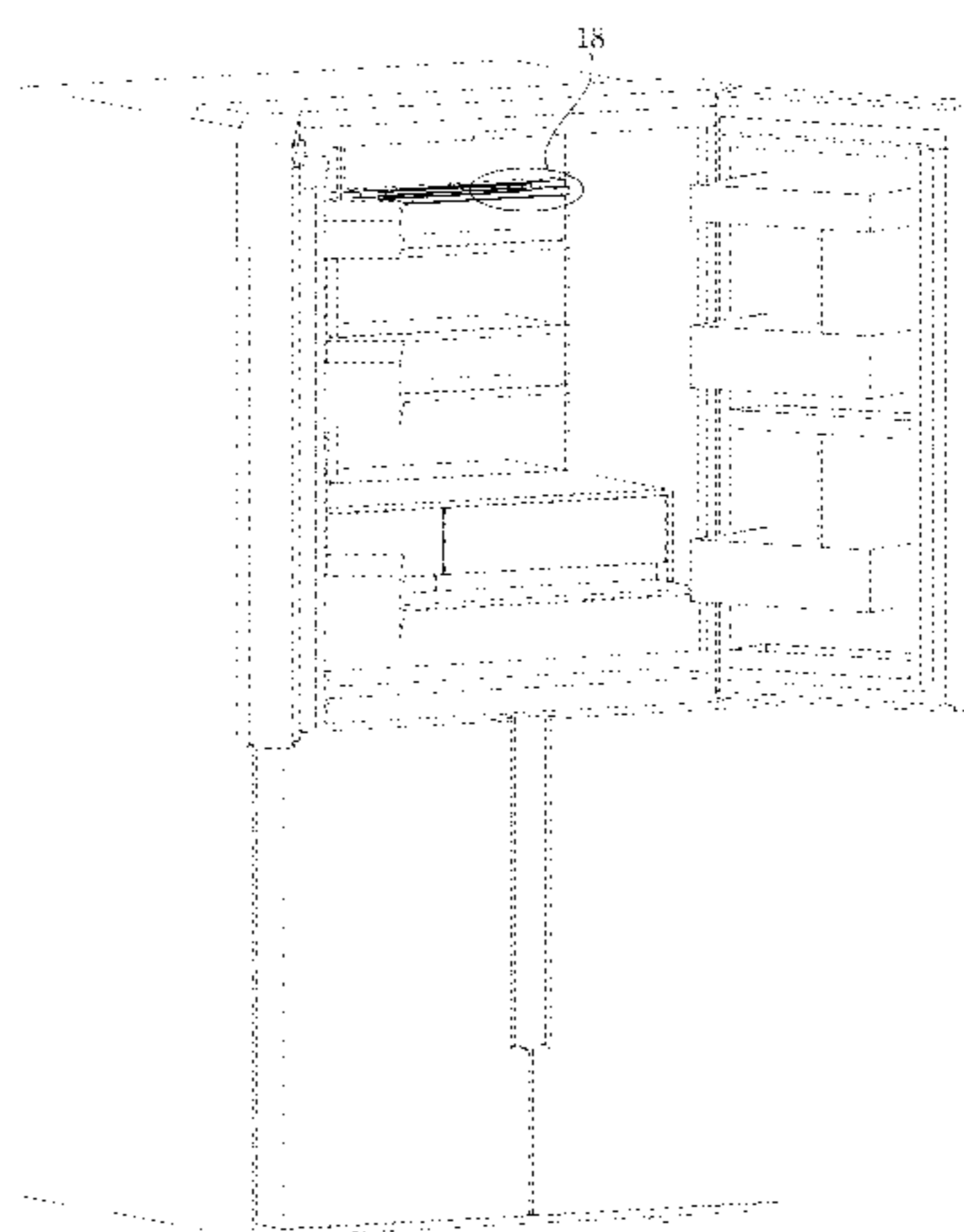
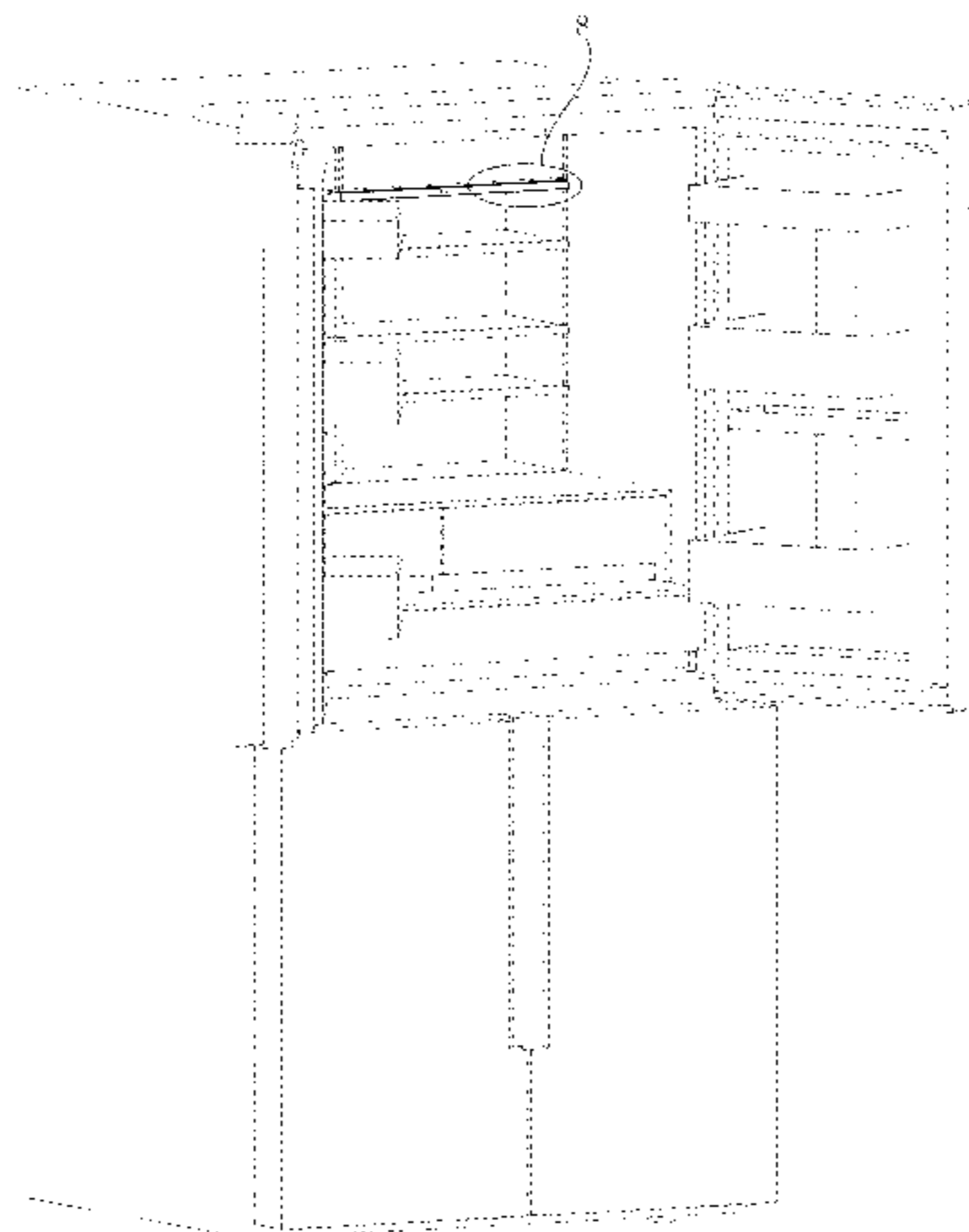
(57) **CLAIM**

The ornamental design for a refrigerator, as shown and described.

**DESCRIPTION**

FIG. 1 is a perspective view of a refrigerator, showing our new design;  
FIG. 2 is a front view thereof;  
FIG. 3 is a rear view thereof;  
FIG. 4 is a side view thereof;  
FIG. 5 is another side view thereof;  
FIG. 6 is a top view thereof;  
FIG. 7 is a bottom view thereof;  
FIG. 8 is an enlarged view of the encircled portion 8 of FIG. 1;  
FIG. 9 a cross-sectional view taken along line 9-9 of FIG. 2;  
FIG. 10 is an enlarged view of the encircled portion 10 of FIG. 9;  
FIG. 11 is a perspective view of a refrigerator shown in an alternate position in which a front lid is open;  
FIG. 12 is a front view thereof;  
FIG. 13 is a rear view thereof;  
FIG. 14 is a side view thereof;  
FIG. 15 is another side view thereof;  
FIG. 16 is a top view thereof;  
FIG. 17 is a bottom view thereof;  
FIG. 18 is an enlarged view of the encircled portion 18 of FIG. 11;  
FIG. 19 is an enlarged view of the encircled portion 19 of FIG. 12;  
FIG. 20 a cross-sectional view taken along line 20-20 of FIG. 12;  
FIG. 21 is an enlarged view of the encircled portion 21 of FIG. 20;  
FIG. 22 is another perspective view of FIG. 11 in an environment of use; and,  
FIG. 23 is an enlarged front vertical cross-sectional view of FIG. 22.  
The broken lines illustrating portions of the refrigerator and environmental structure form no part of the claimed design.

(Continued)



The dot-dash broken lines encircling enlargement portions of the design form no part of the claimed design. The jagged dot-dash broken lines indicate a removal boundary and form no part of the claimed design.

1 Claim, 23 Drawing Sheets

(58) Field of Classification Search

USPC .. D6/675, 675.1, 675.2, 449, 465, 468, 475, D6/510-511, 574  
CPC ..... F25D 23/028; F25D 11/02; F25D 23/126; F25D 25/02; F25D 27/00; F25D 27/005; F25D 23/025; F25D 23/04; F25D 2323/021; F25D 2323/023; F25D 23/062; F25D 25/025; F25D 17/045; F25D 2325/021; F25D 2325/022; F25D 23/00; F25D 23/02; F25D 23/067; F25D 23/069; F25D 2400/361; F25D 2500/02; F25D 2500/06; F25D 25/024; F25D 29/00; F25D 11/00; F25D 11/022; F25D 17/065; F25D 21/04; F25D 2317/061; F25D 2317/063; F25D 2317/0651; F25D 2317/0653; F25D 2317/0661; F25D 2317/0665; F25D 2323/121; F25D 2323/122; F25D 2327/00; F25D 2327/001; F25D 2331/81; F25D 23/021; F25D 23/06; F25D 23/066; F25D 23/10; F25D 23/12; F25D 2400/00; F25D

2400/02; F25D 2400/04; F25D 2400/16; F25D 2400/36; F25D 2400/40; F25D 25/022; F25D 25/027; F25D 25/028; F25D 2600/02; F25D 2600/06; F25D 2700/00; F25D 2700/04; F25D 2700/12; F25D 2700/122; F25D 2700/14; F25D 29/005; F25D 31/00; F25D 31/002; F25D 31/005

See application file for complete search history.

(56)

References Cited

U.S. PATENT DOCUMENTS

D808,446 S \* 1/2018 Burke ..... D15/89  
D810,493 S \* 2/2018 Harrell ..... D7/346  
D823,357 S \* 7/2018 Hsieh ..... D15/89  
D828,411 S \* 9/2018 Choi ..... D15/89  
D831,708 S \* 10/2018 Kim ..... D15/89  
2011/0001415 A1 \* 1/2011 Park ..... F25D 25/02  
312/408  
2013/0020922 A1 \* 1/2013 Jang ..... F25D 25/024  
312/408  
2016/0238307 A1 \* 8/2016 Lee ..... F25D 25/02

FOREIGN PATENT DOCUMENTS

KR 300746397 S 6/2014  
KR 300761685 S 9/2014  
KR 300770870 S 10/2016

\* cited by examiner

FIG. 1

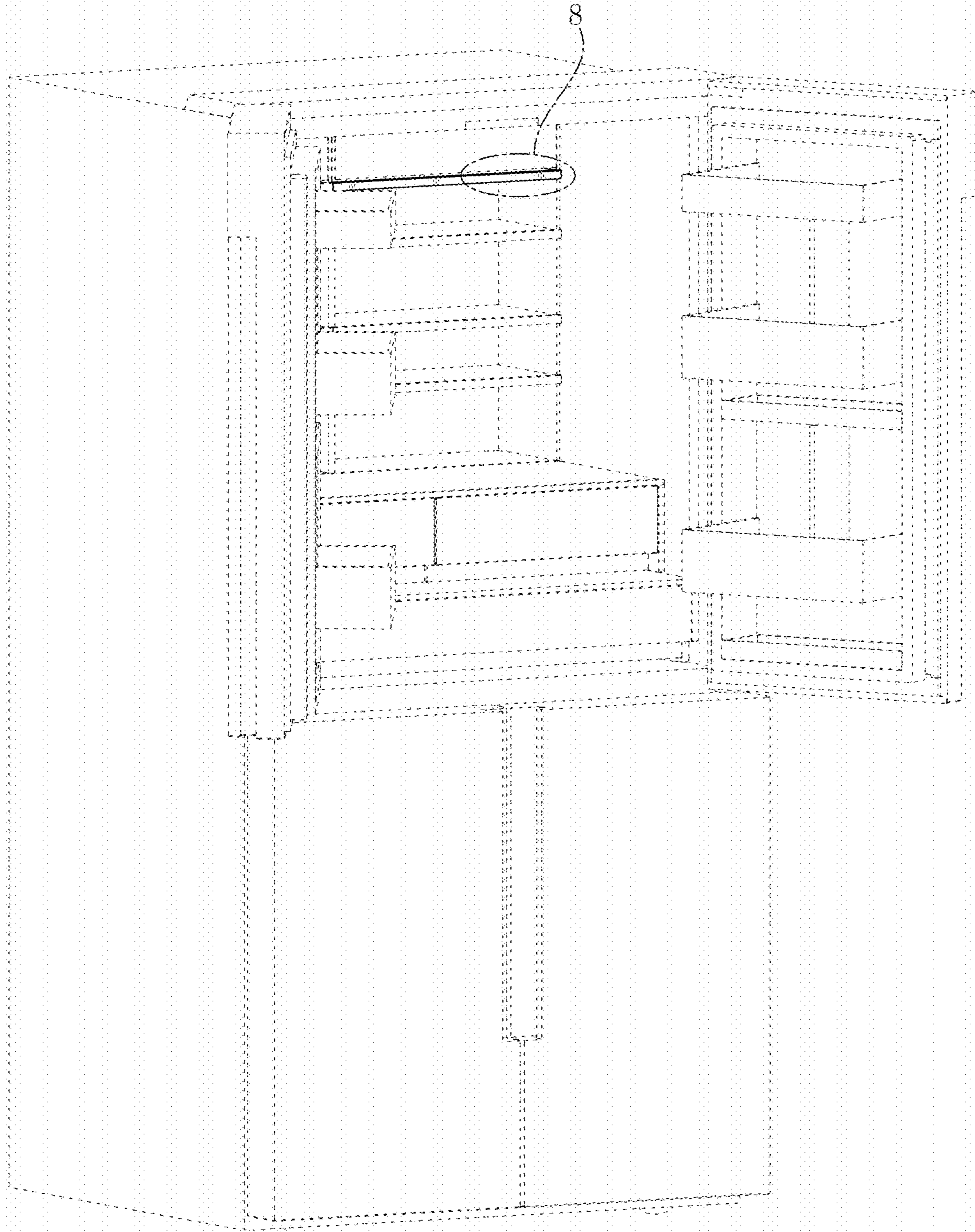


FIG. 2

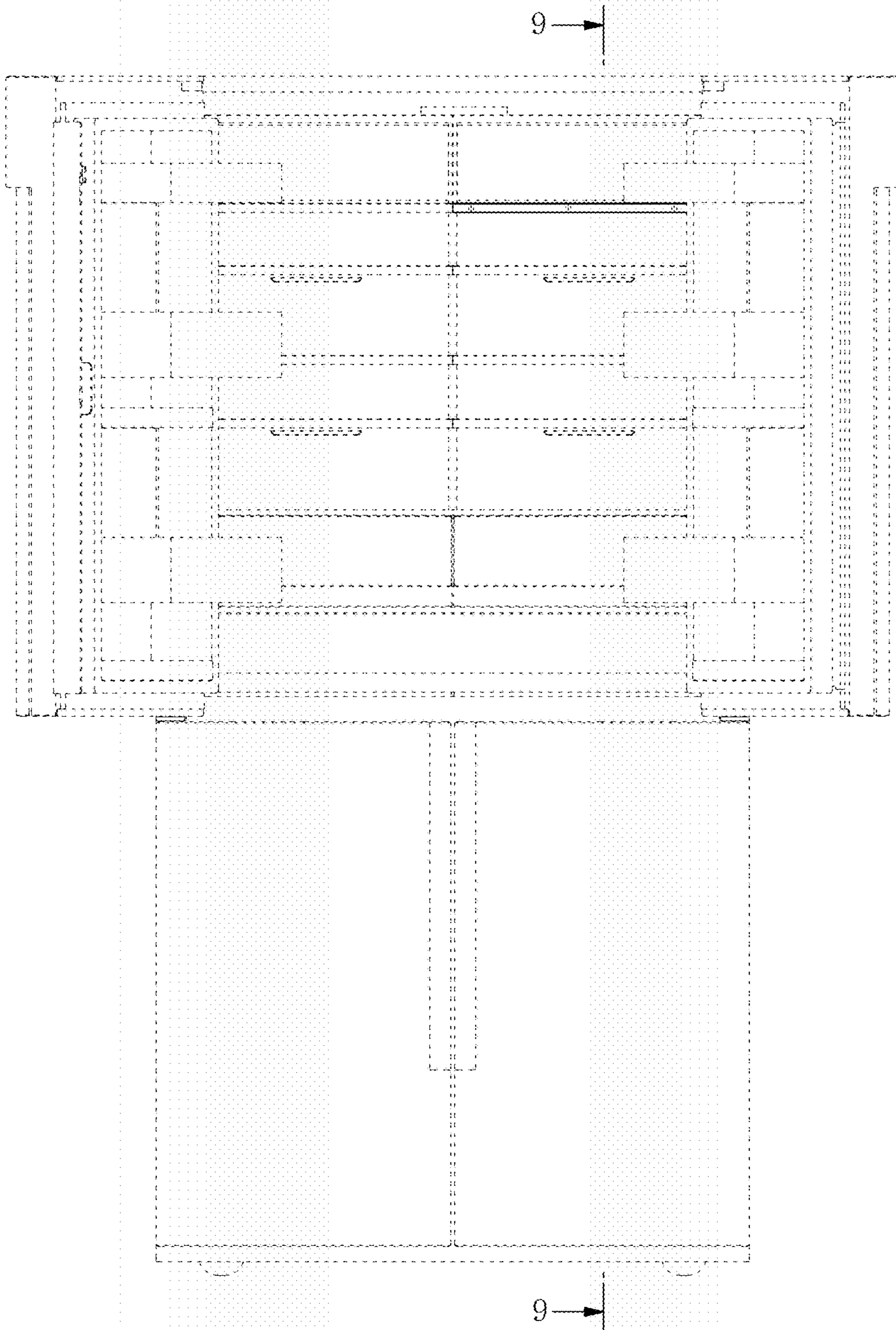


FIG. 3

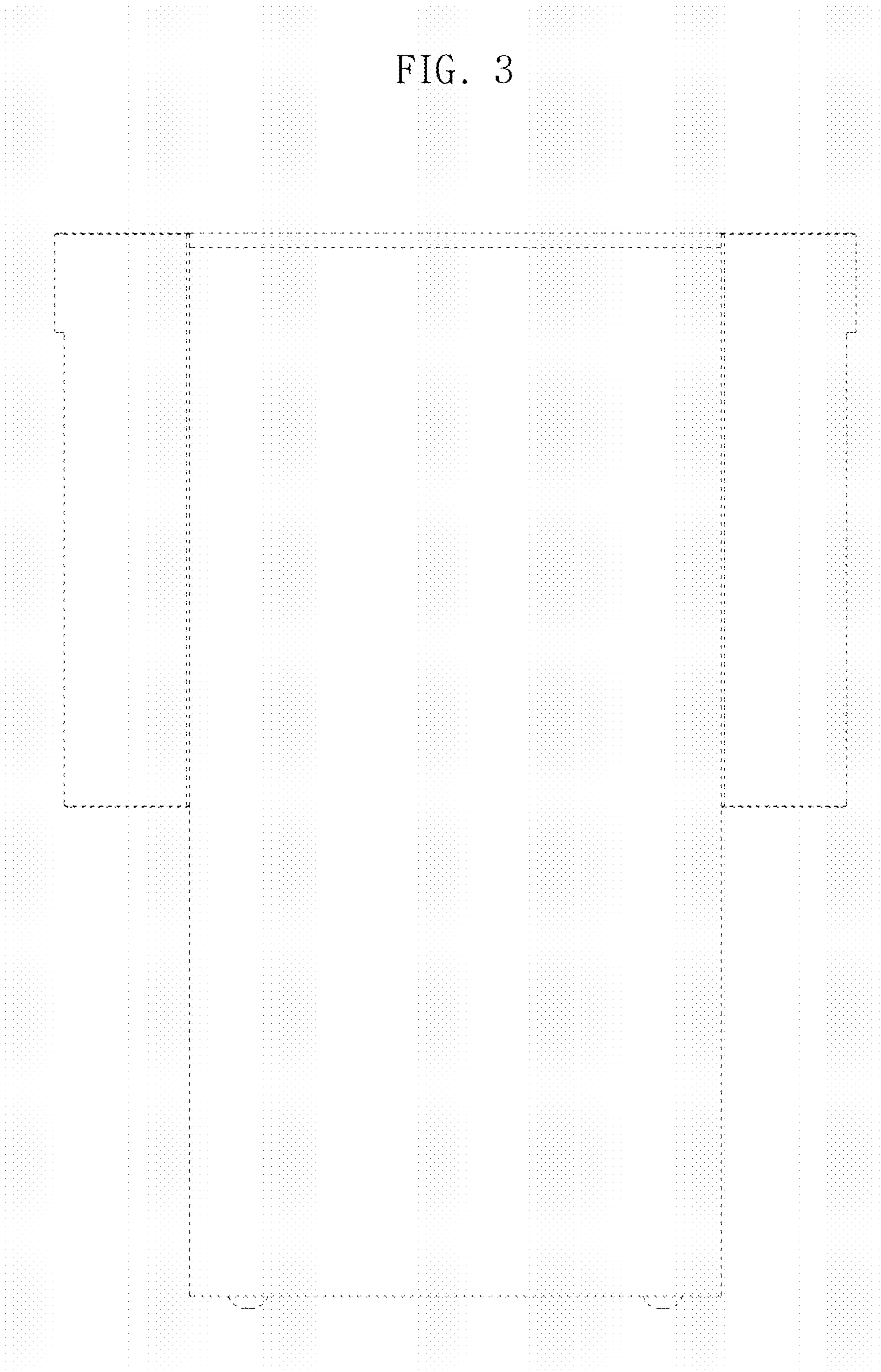


FIG. 4

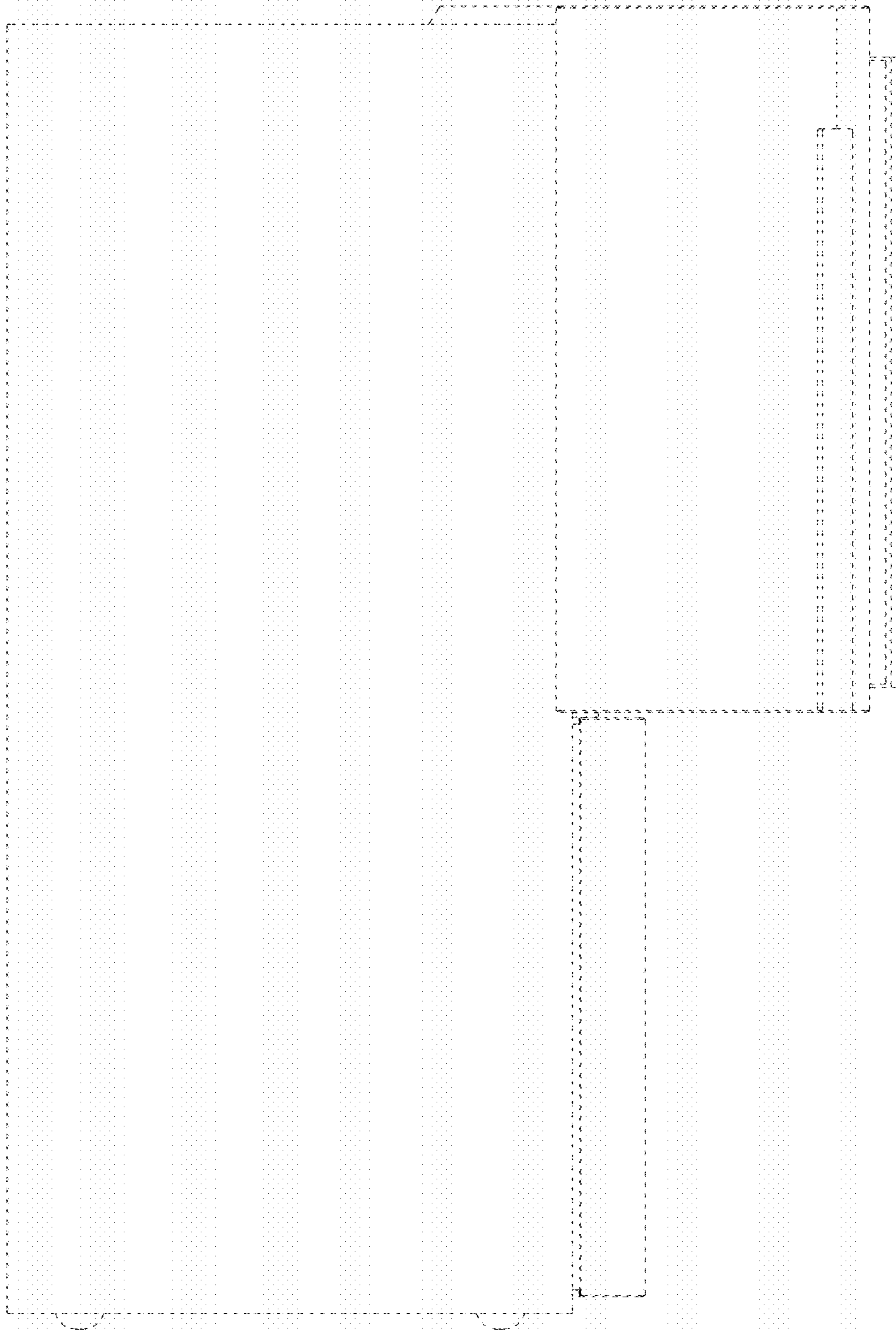


FIG. 5

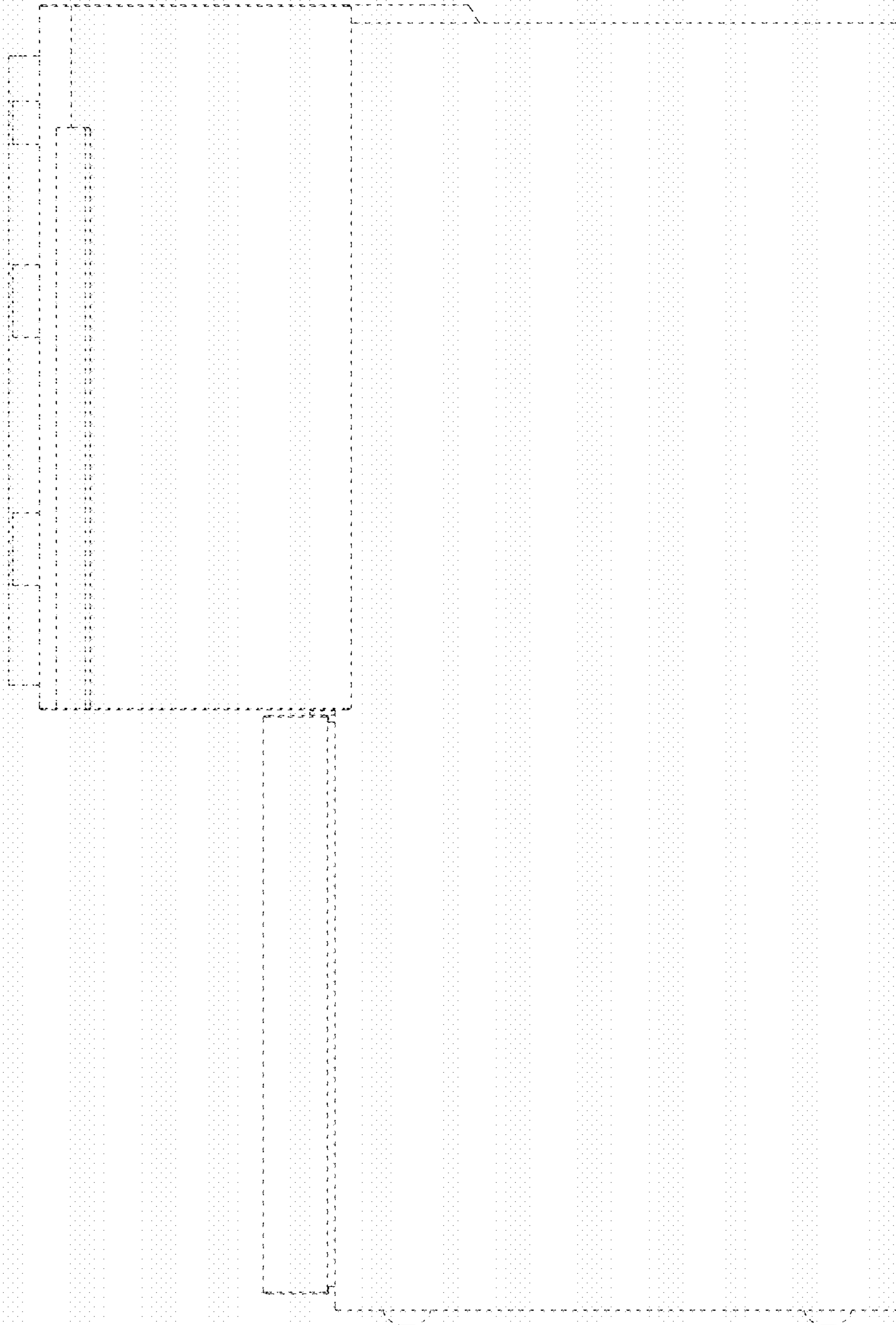


FIG. 6

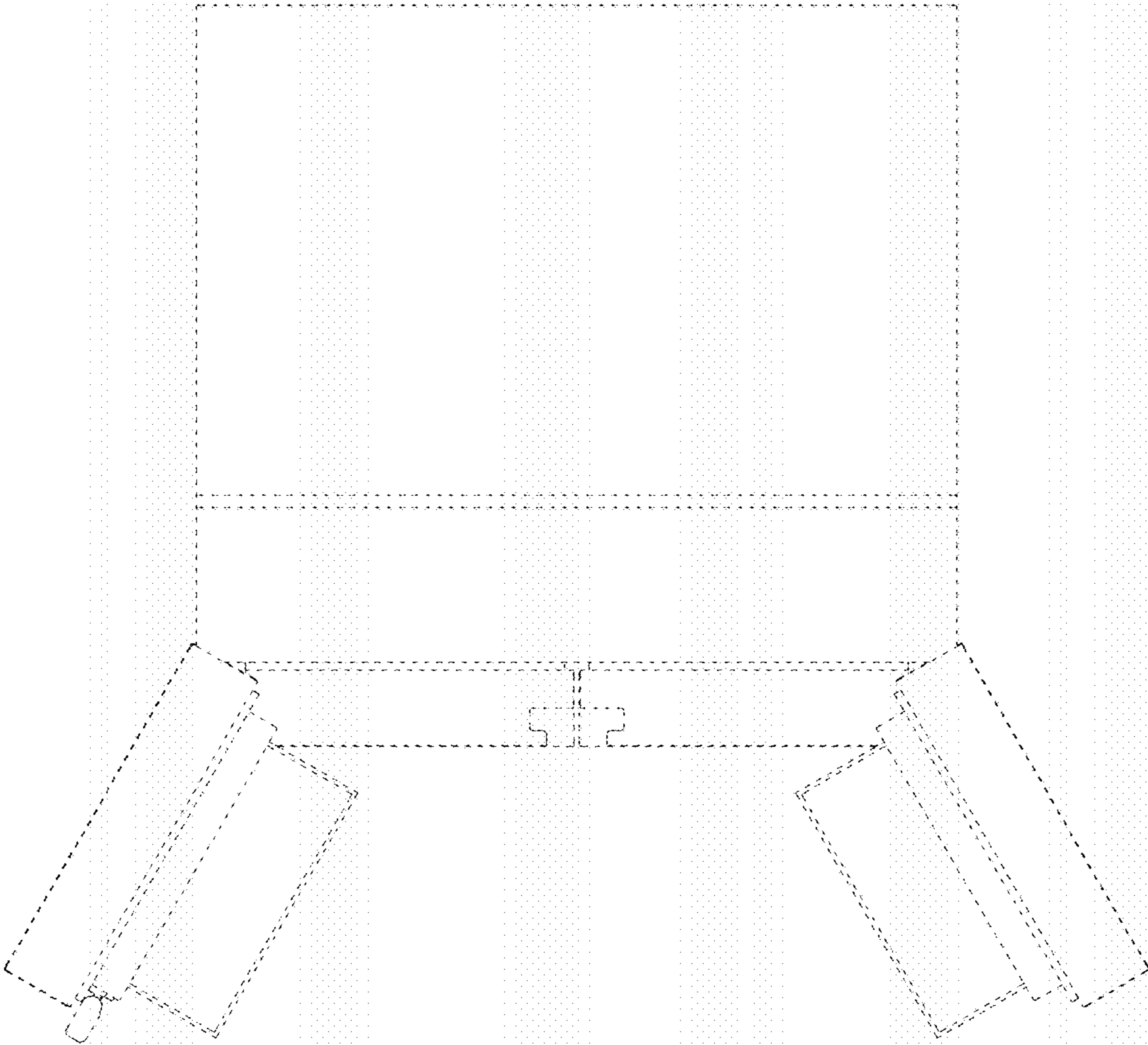




FIG. 7

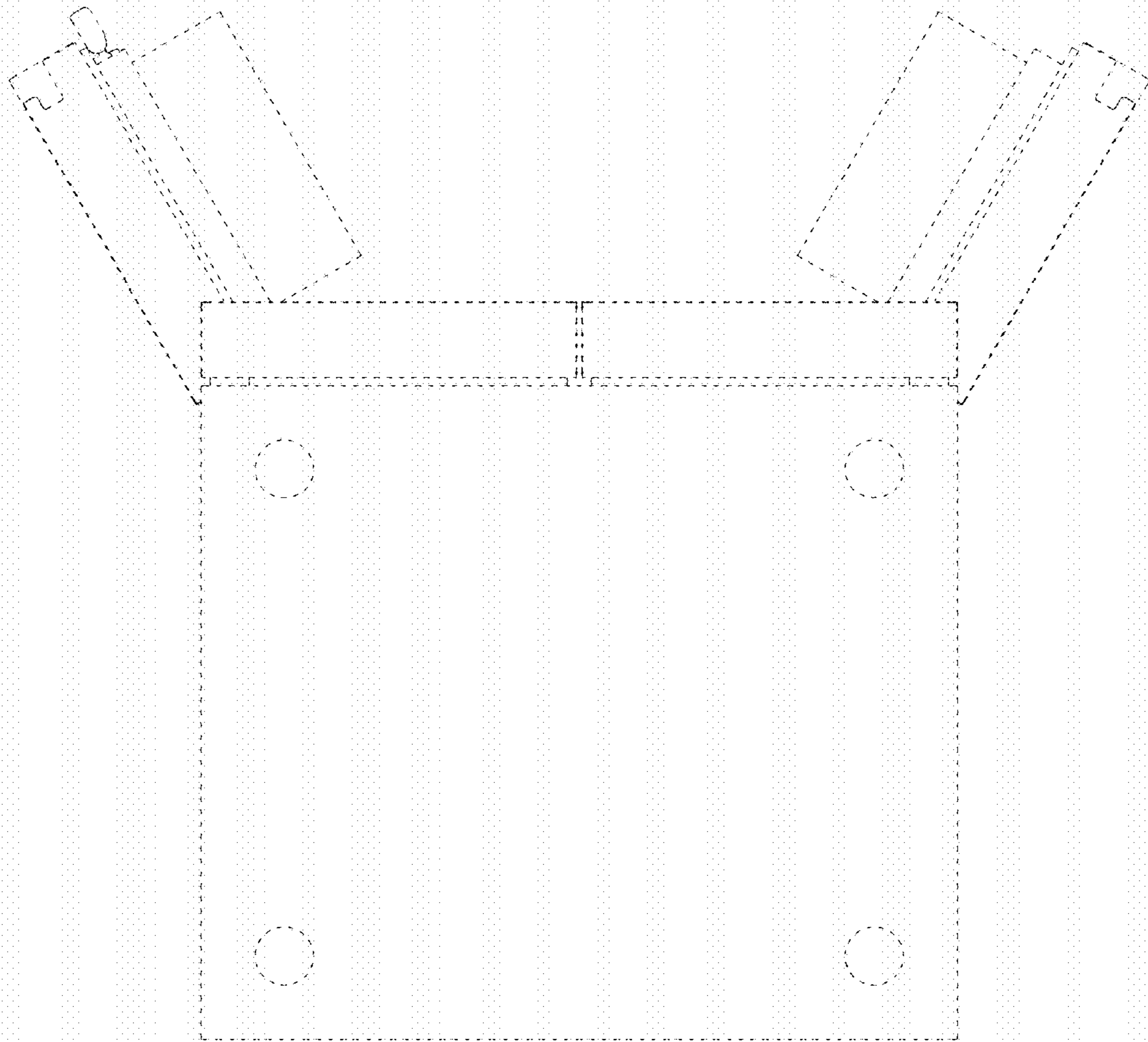


FIG. 8

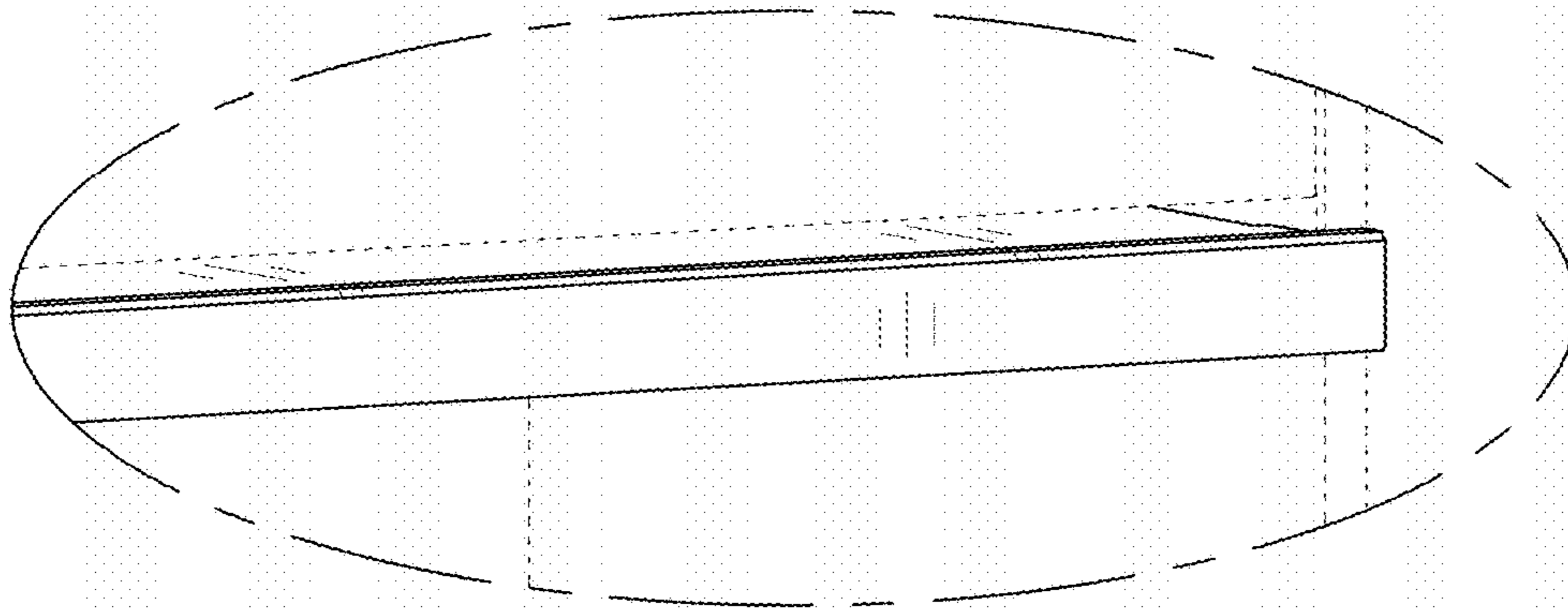


FIG. 9

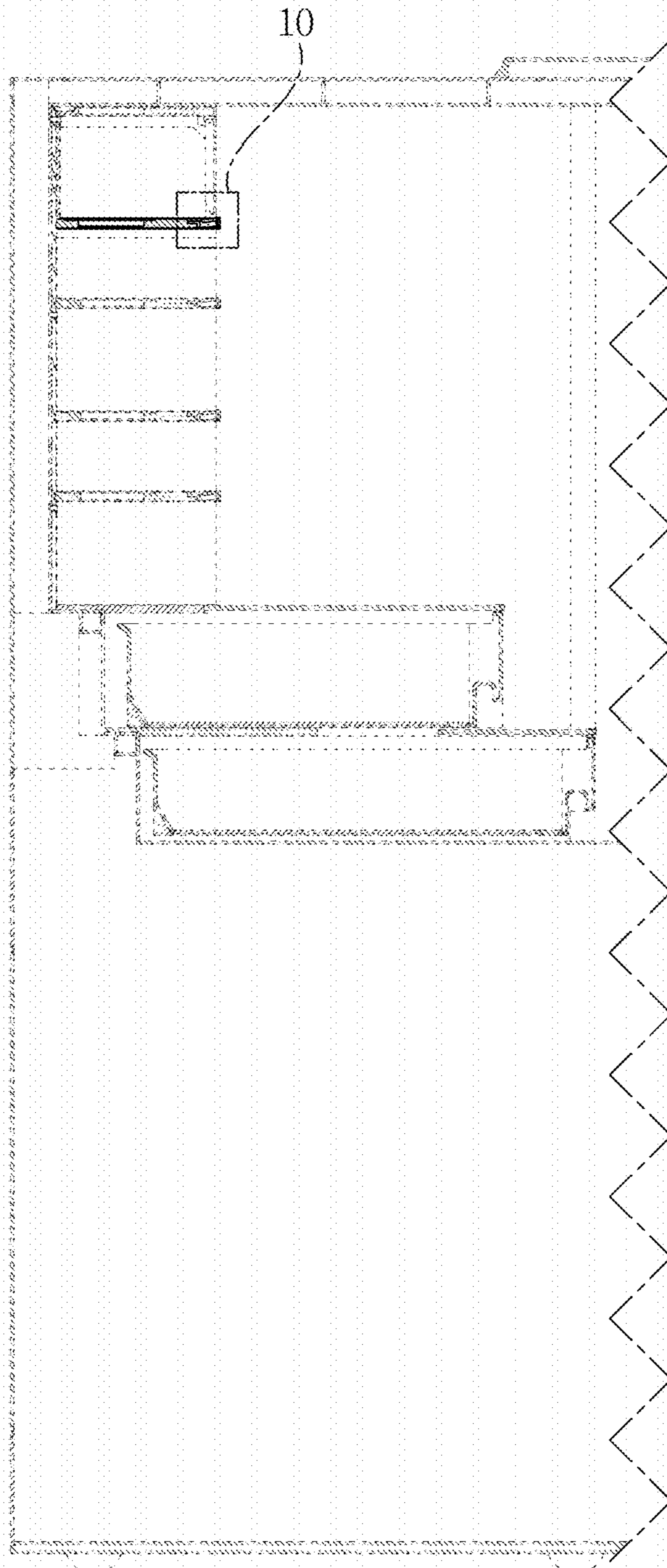


FIG. 10

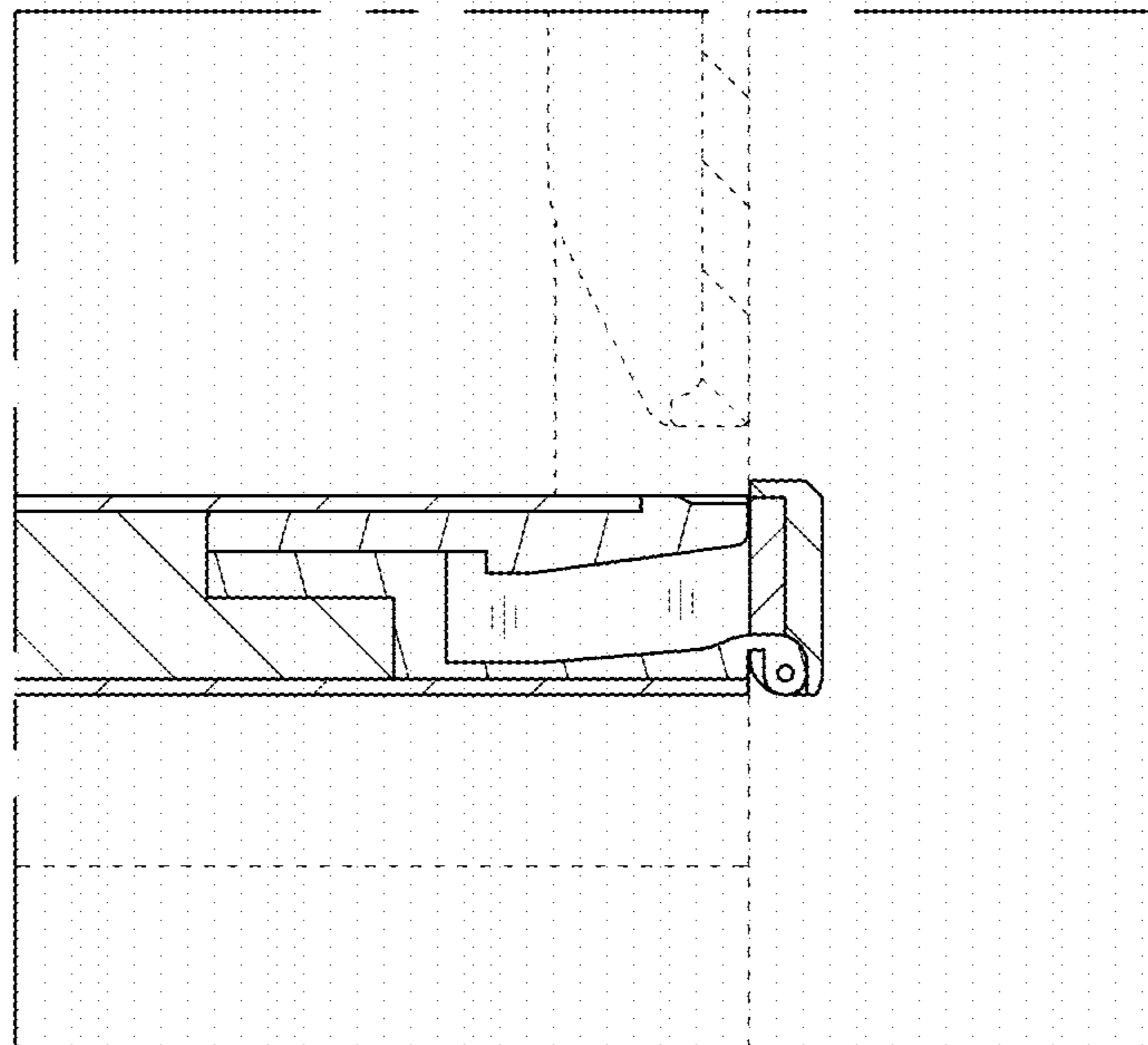


FIG. 11

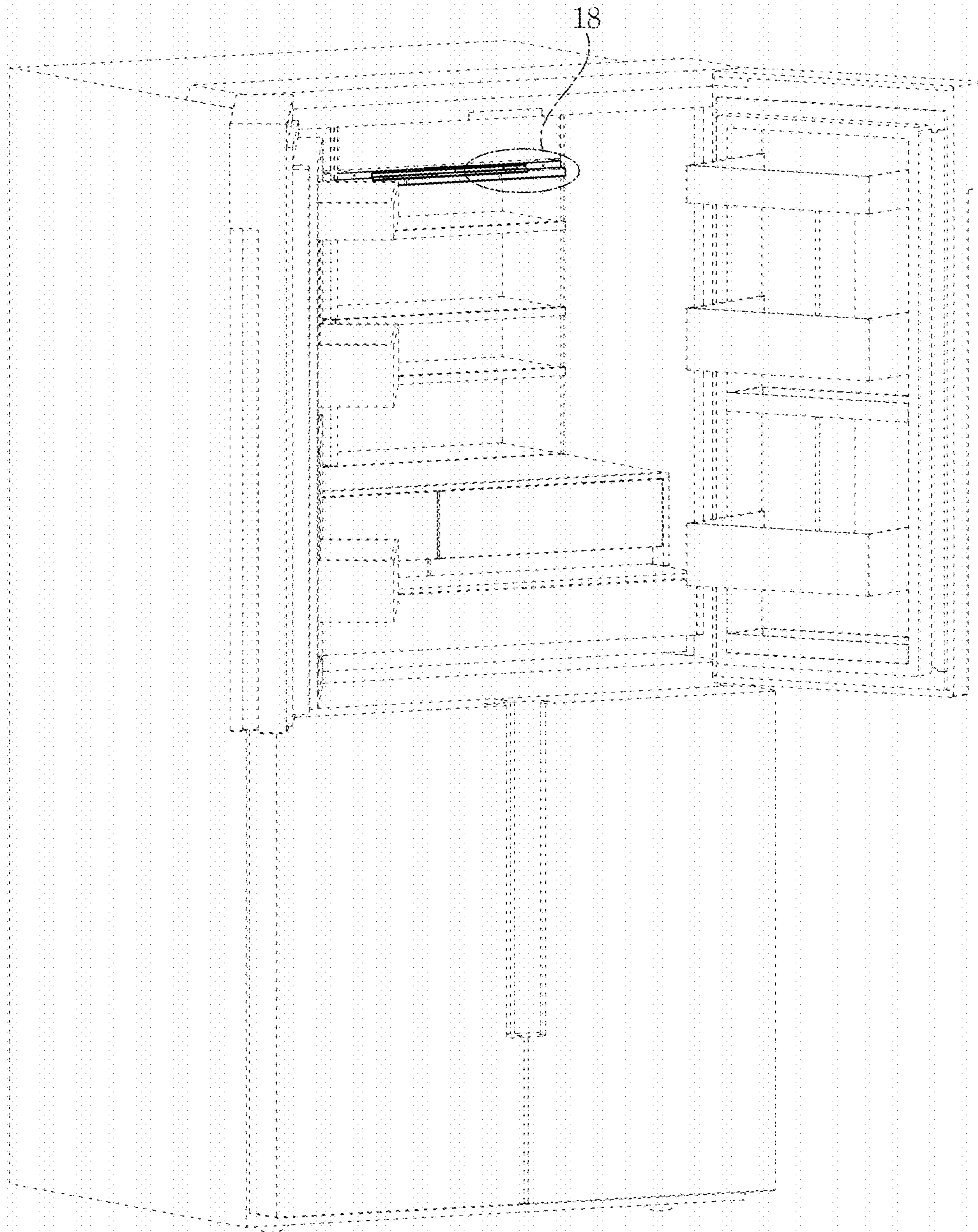


FIG. 12

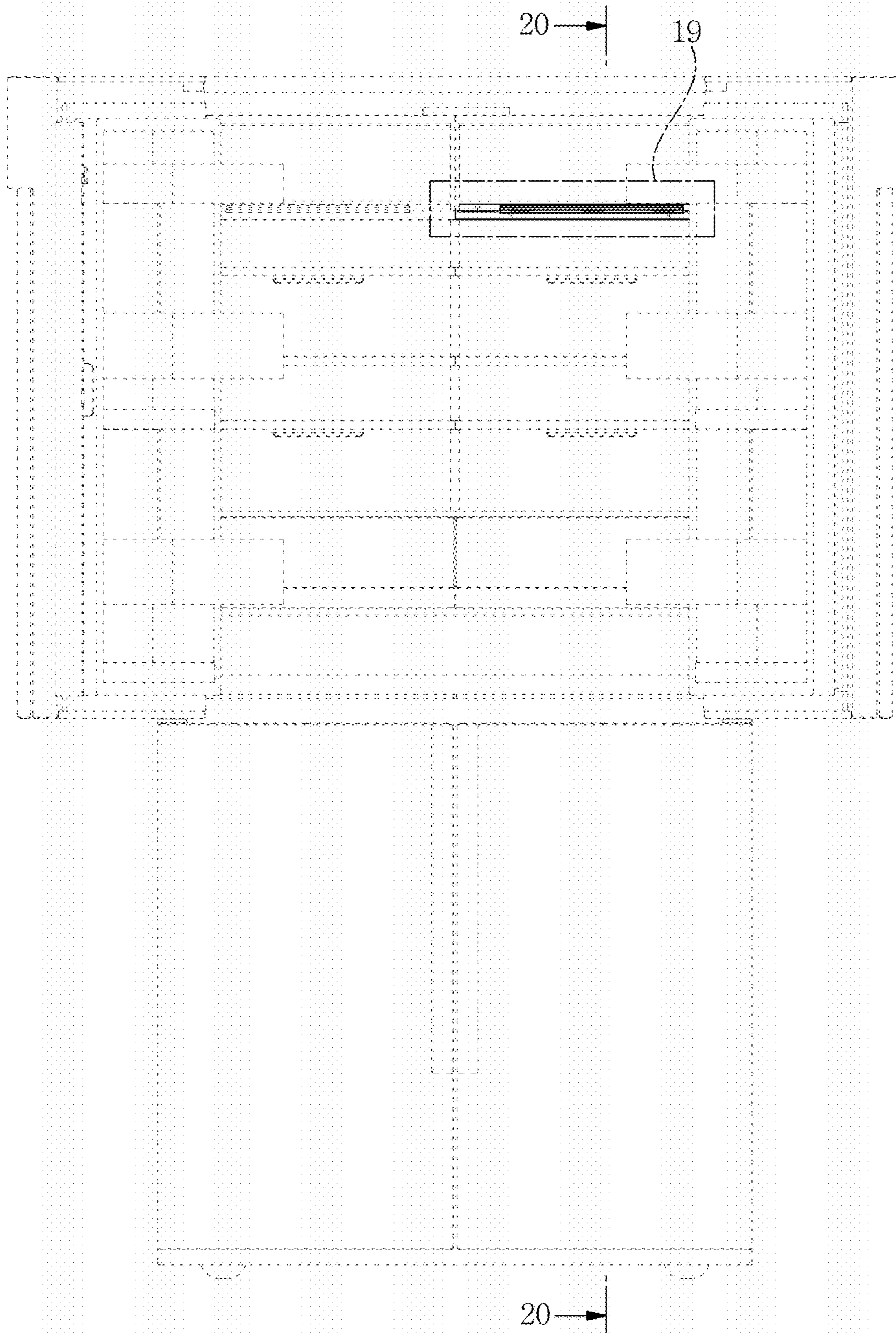


FIG. 13

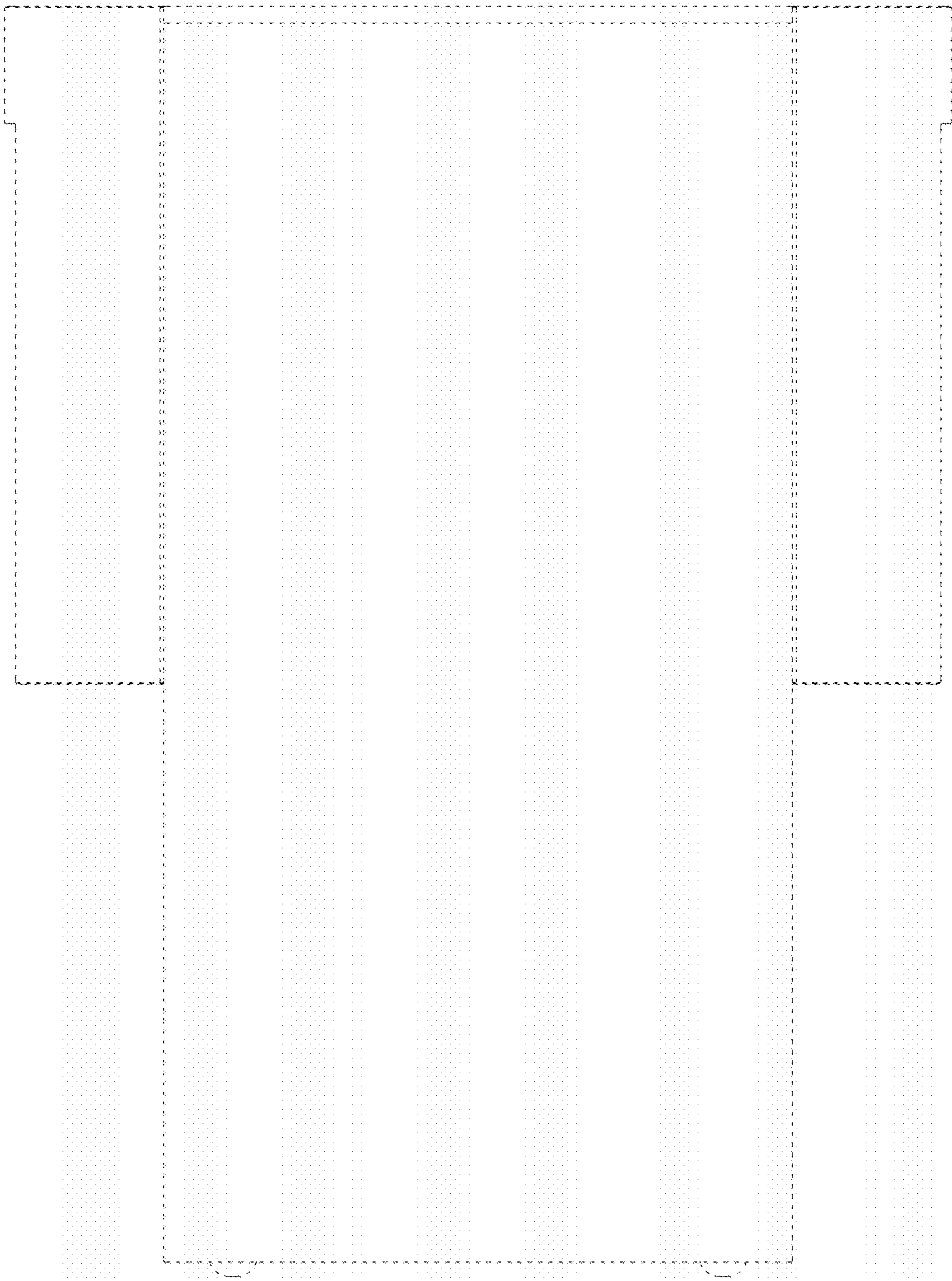


FIG. 14

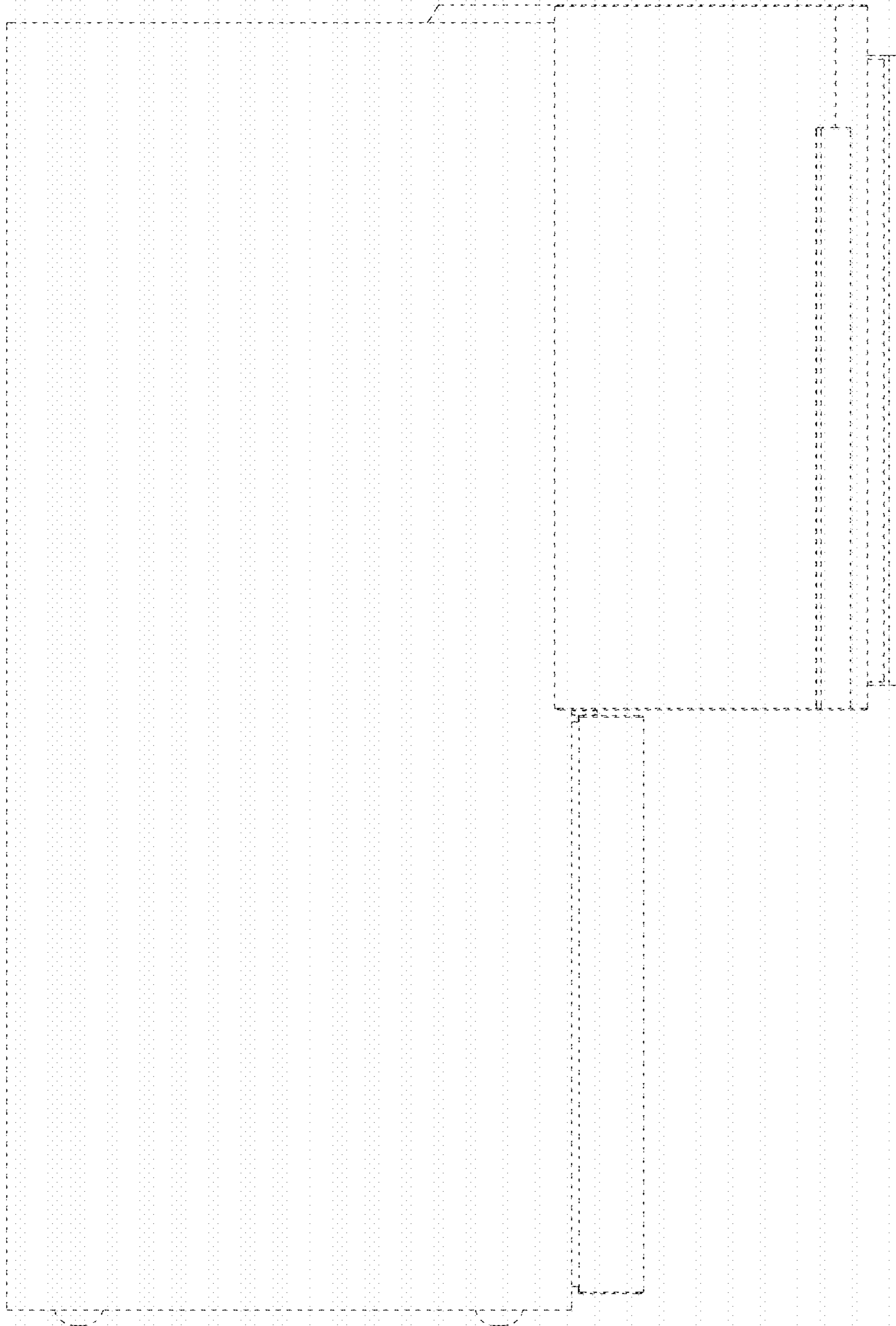




FIG. 15

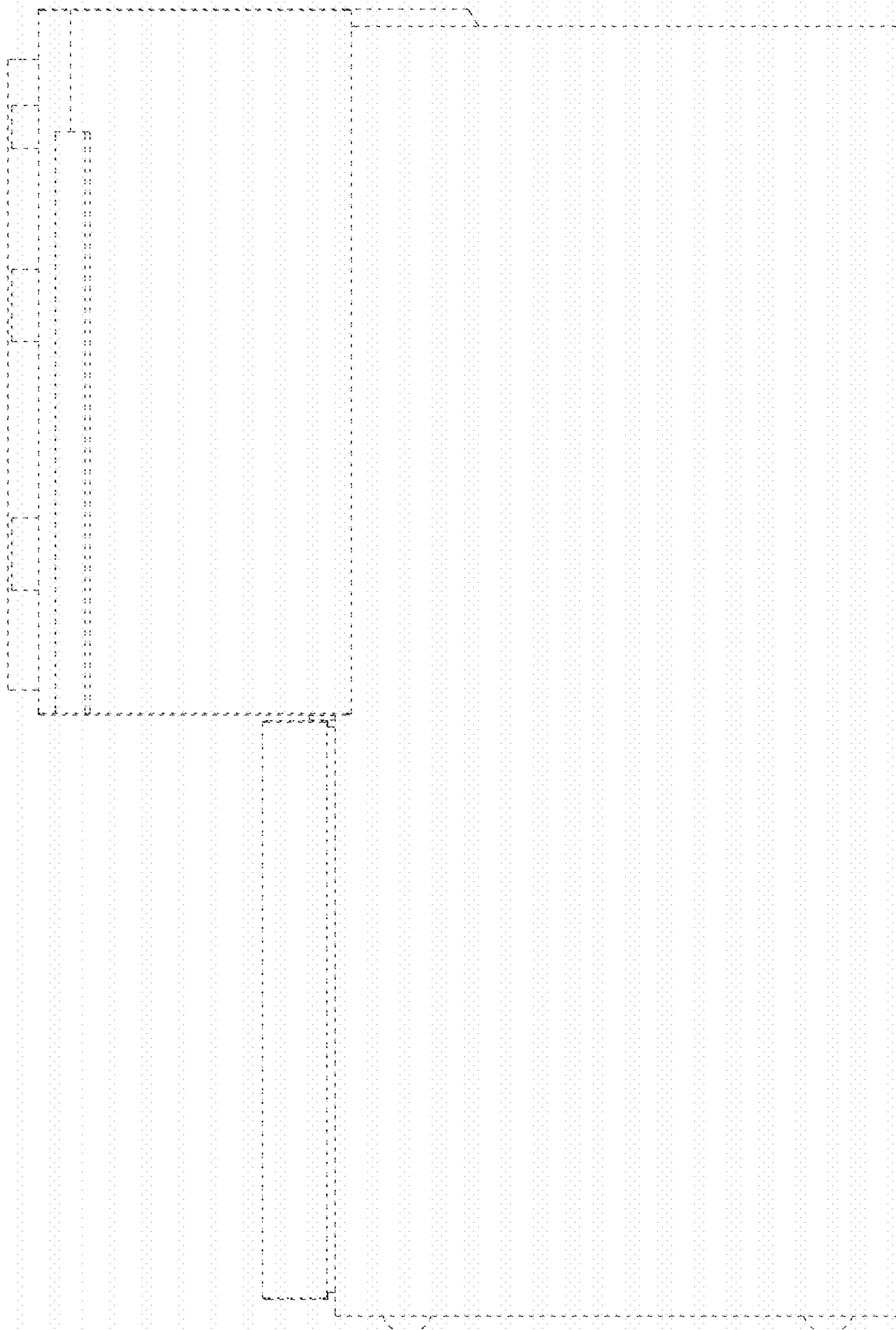


FIG. 16

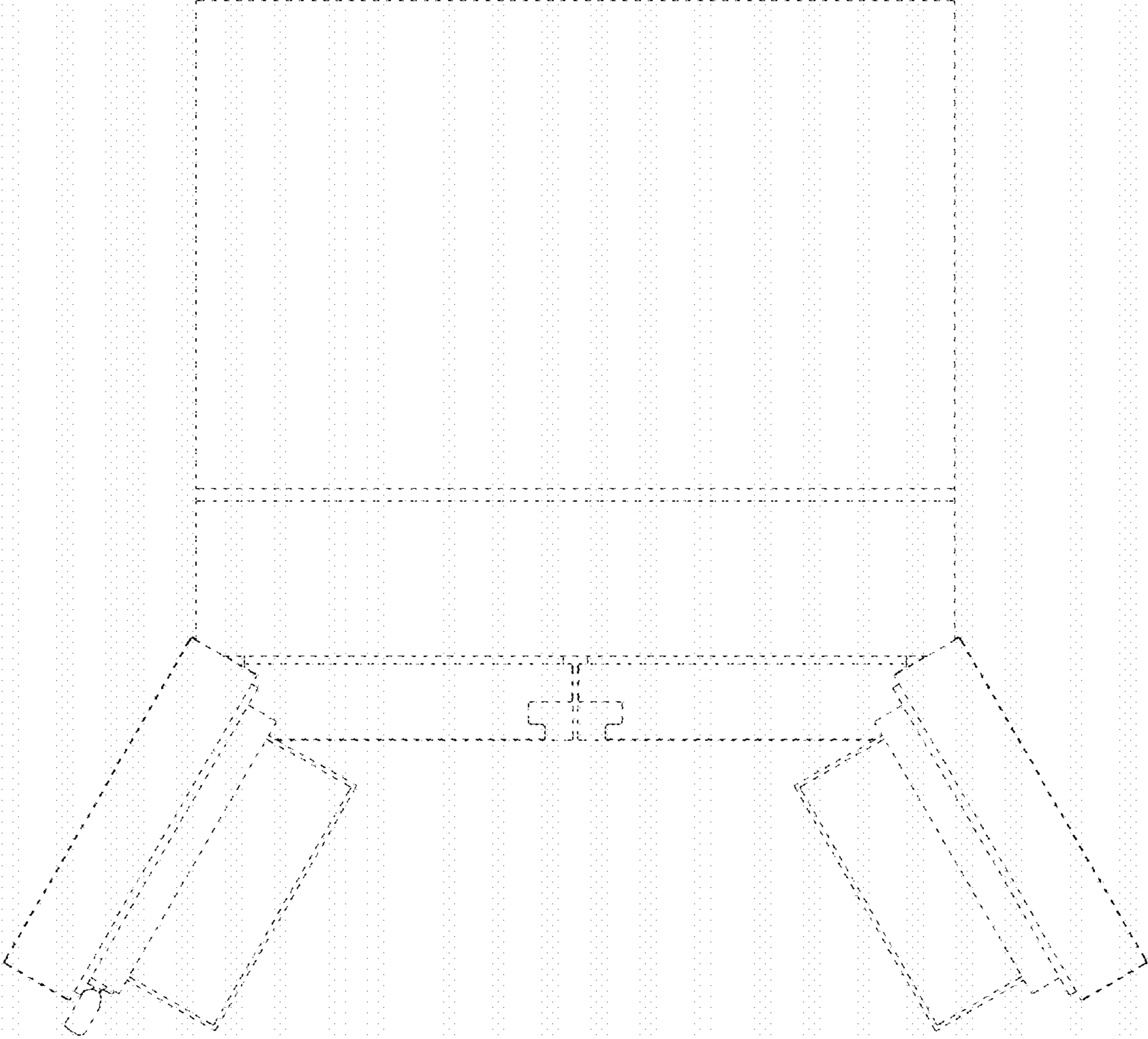


FIG. 17

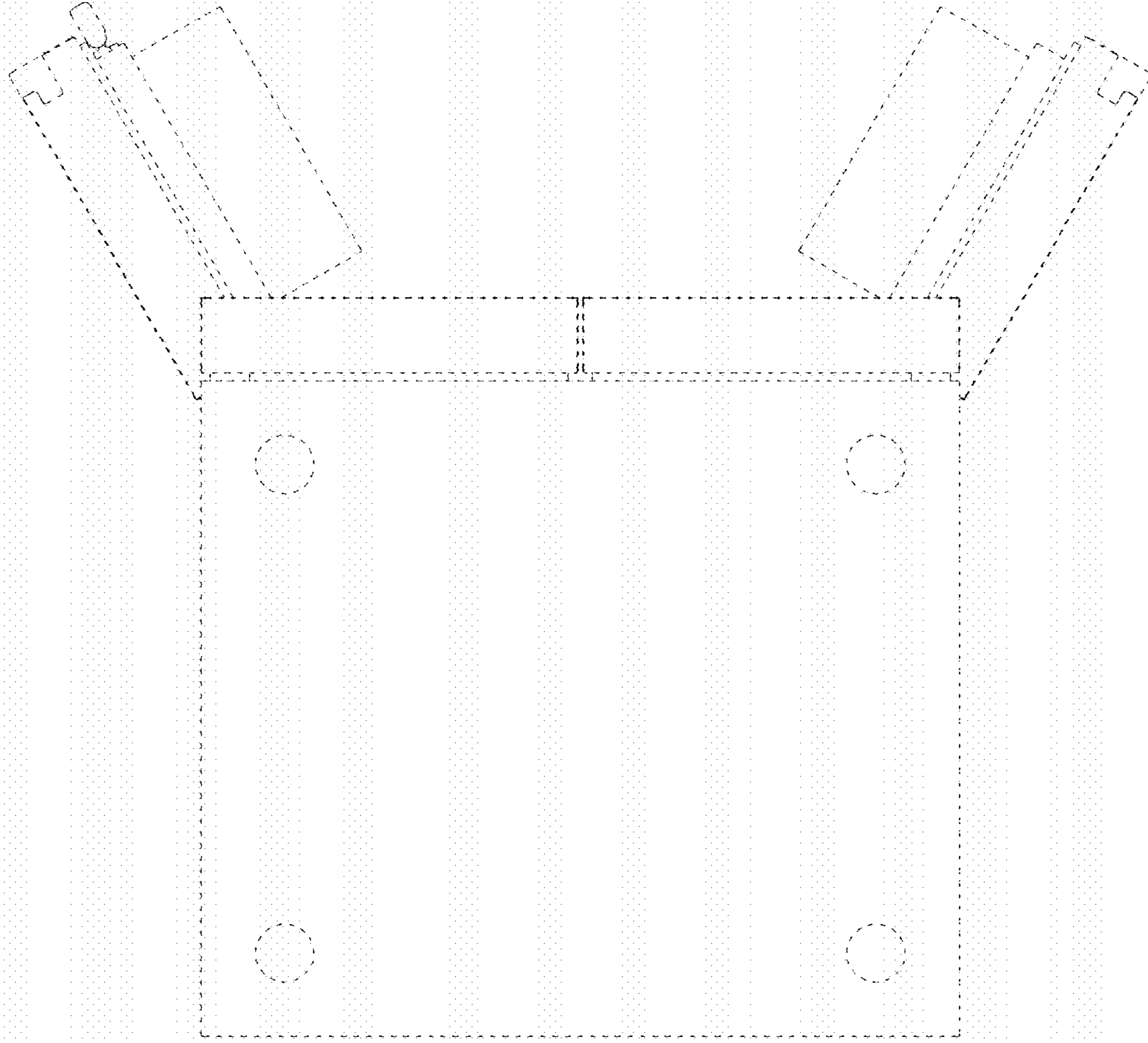


FIG. 18

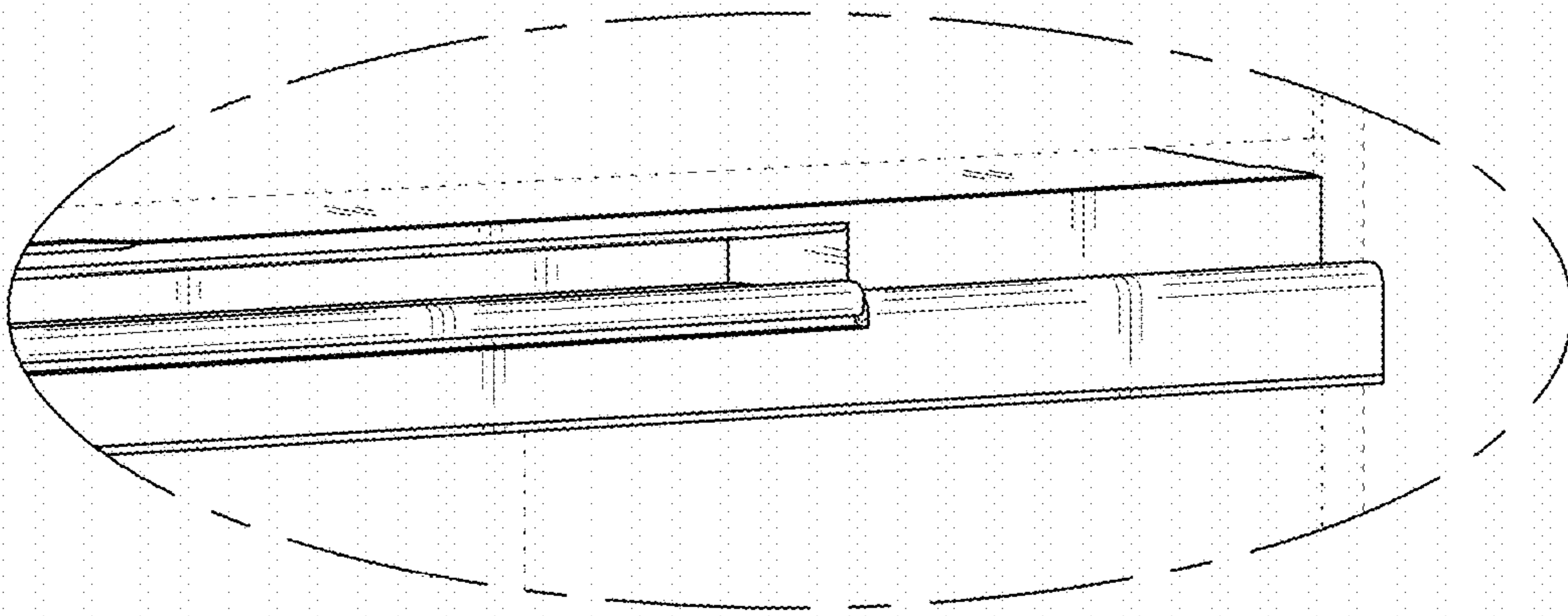


FIG. 19

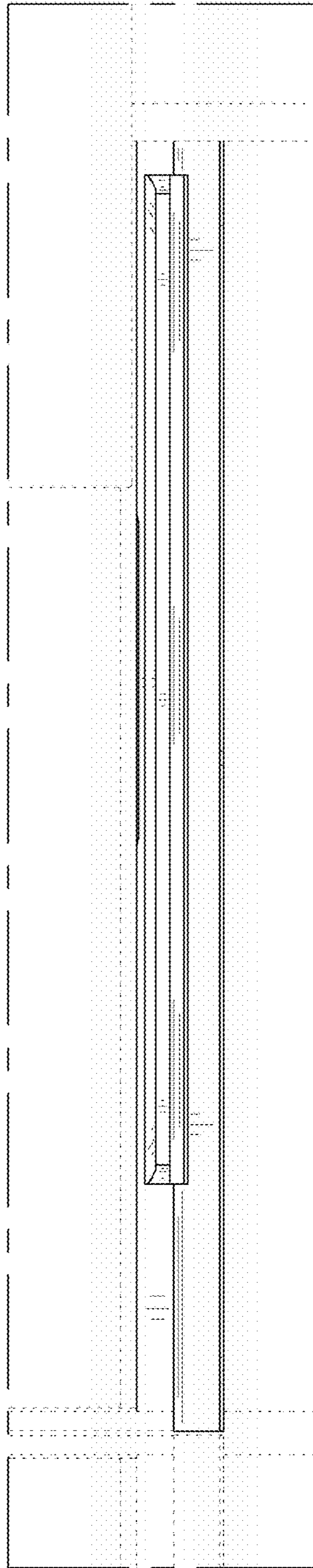


FIG. 20

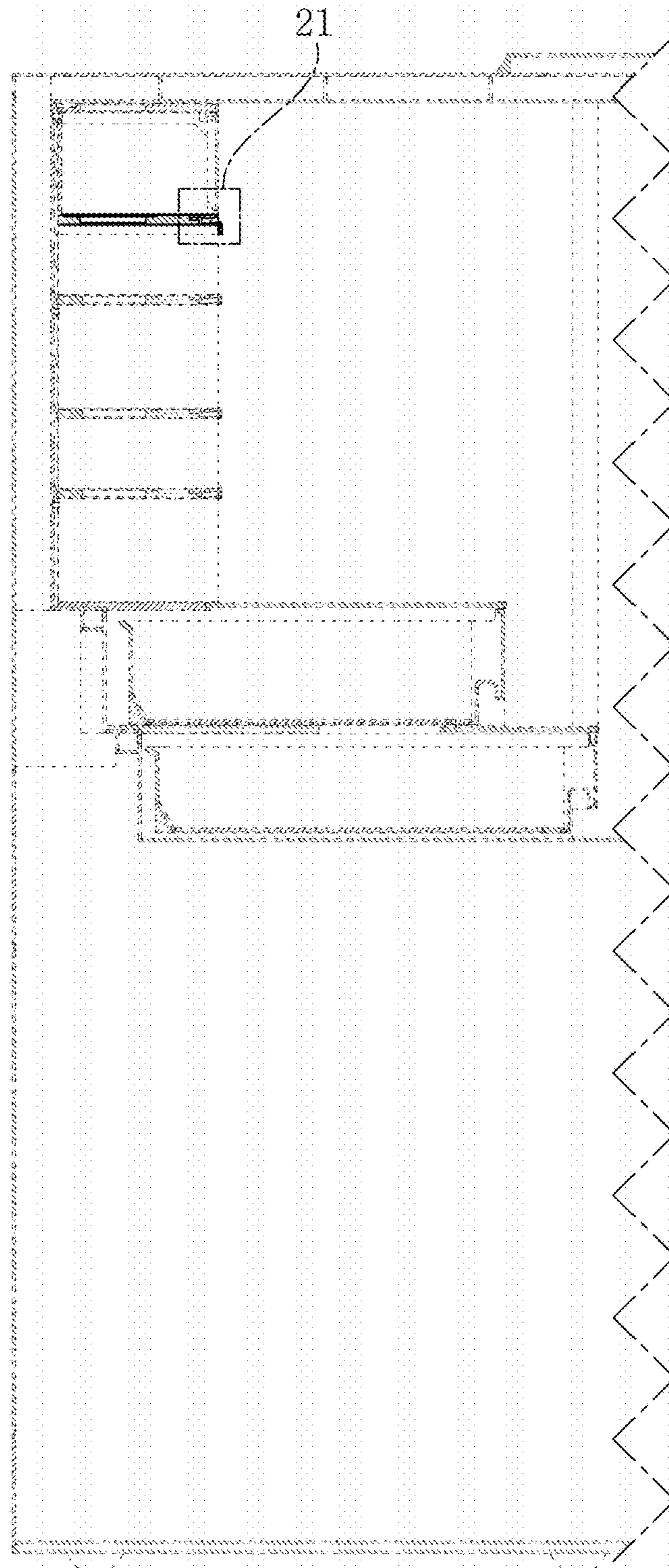


FIG. 21

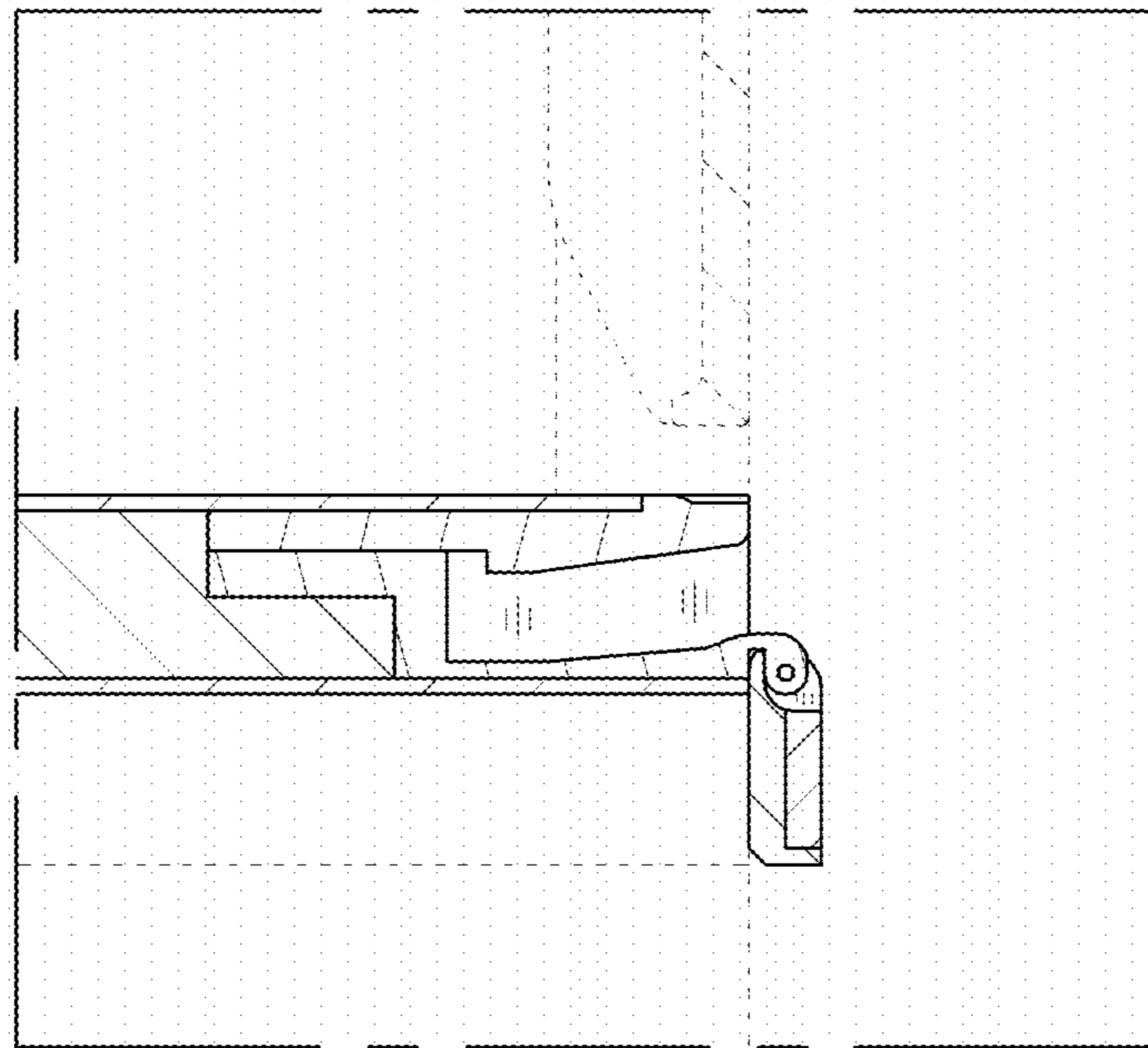


FIG. 22

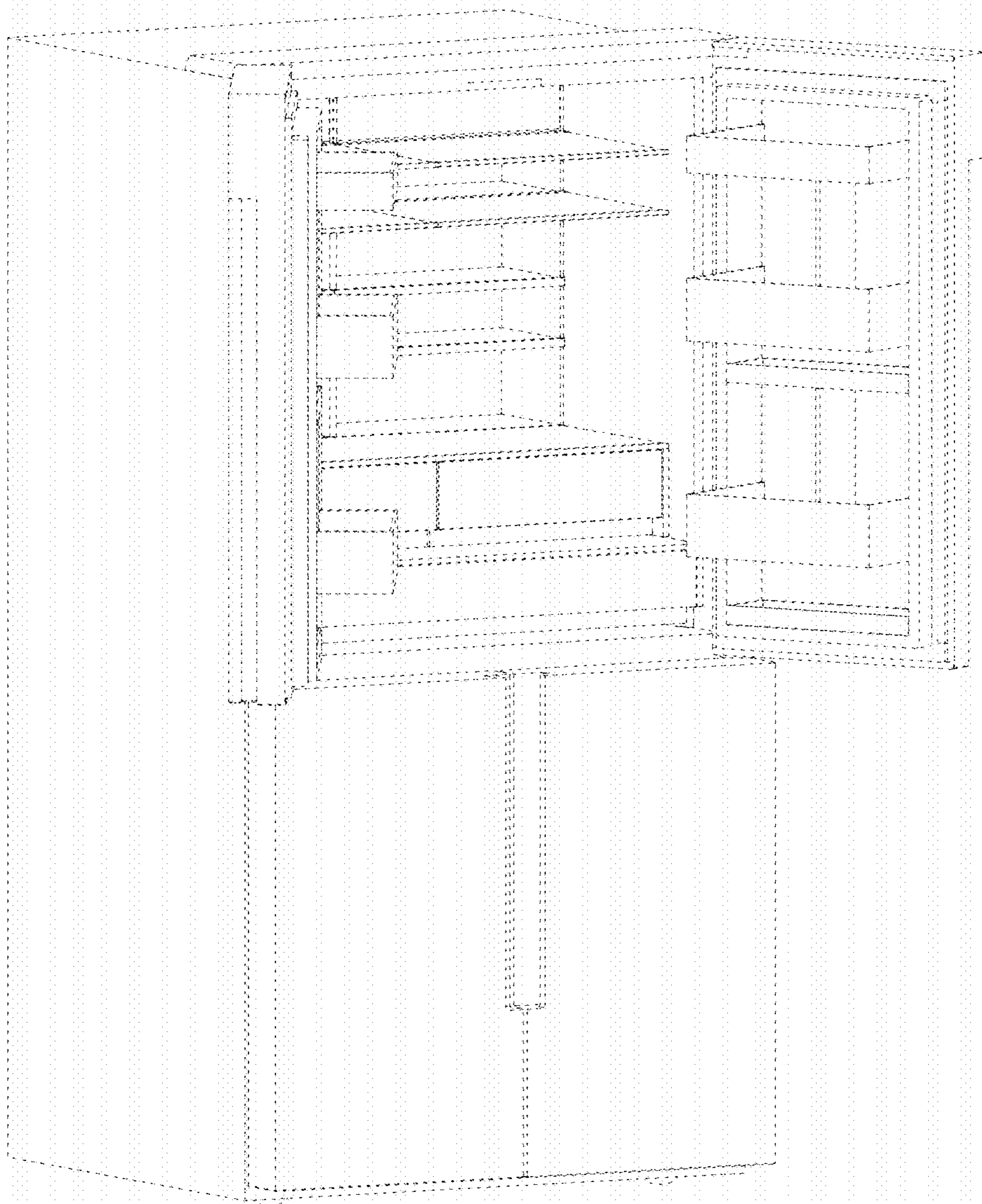




FIG. 23

