



US00D849803S

(12) **United States Design Patent** (10) **Patent No.:** **US D849,803 S**
Meda et al. (45) **Date of Patent:** **** May 28, 2019**

(54) **REFRIGERATOR**

(71) Applicant: **Dometic Sweden AB**, Solna (SE)
(72) Inventors: **Samuele Meda**, Solna (SE); **Kristoffer Olsson**, Hägersten (SE); **Michael Edenius**, Stockholm (SE)
(73) Assignee: **Dometic Sweden AB**, Solna (SE)

(**) Term: **15 Years**

(21) Appl. No.: **29/594,936**

(22) Filed: **Feb. 23, 2017**

(30) **Foreign Application Priority Data**

Aug. 24, 2016 (EM) 003351444

(51) **LOC (11) Cl.** **15-07**

(52) **U.S. Cl.**
USPC **D15/79**

(58) **Field of Classification Search**
USPC D15/79-91
CPC F02M 37/18; F02M 3/045; F02M 43/00;
F02M 51/04; F02M 51/0614; F02M 53/043; F02M 55/004; F02M 55/008;
F02M 57/021; F02M 57/027; F02M 59/025; F02M 59/10; F02M 5/00; F02M 5/12; F02M 5/14; F02M 61/02; F02M 61/045; F02M 61/14; F02M 61/145; F02M 61/18; F02M 61/184; F02M 61/1853; F02M 61/20; F02M 65/003; F02M 69/00; F02M 69/041; F02M 69/043; F02M 69/32; F02M 69/50; F02M 7/10; F02M 7/12; F02M 7/133; F02M 7/17; F02M 9/12; F02M 9/127; F02M 9/14

See application file for complete search history.

(56) **References Cited**

U.S. PATENT DOCUMENTS

D342,743 S 12/1993 Renner
D342,744 S 12/1993 Renner

5,966,951 A 10/1999 Hallin et al.
D468,325 S 1/2003 Lorek et al.
D468,326 S 1/2003 Lorek et al.
D468,327 S 1/2003 Lorek et al.
D476,667 S 7/2003 Lorek et al.
D495,722 S * 9/2004 Avalos Barcenas D15/91
D508,502 S 8/2005 Moseley
D540,831 S * 4/2007 Kim D15/81
7,237,402 B2 7/2007 Hallin et al.
D604,340 S * 11/2009 Kim D15/81
8,006,515 B2 8/2011 Hallin et al.
8,146,383 B2 4/2012 Lorek et al.
D803,602 S * 11/2017 Hightower D6/663
D826,291 S * 8/2018 Lim D15/81
2007/0295024 A1 12/2007 Hallin et al.
2008/0047209 A1 * 2/2008 Hinterholzer A47F 3/043
52/208

(Continued)

OTHER PUBLICATIONS

Transmittal Letter of Related Cases.

(Continued)

Primary Examiner — Khawaja Anwar

(74) *Attorney, Agent, or Firm* — Middleton Reutlinger

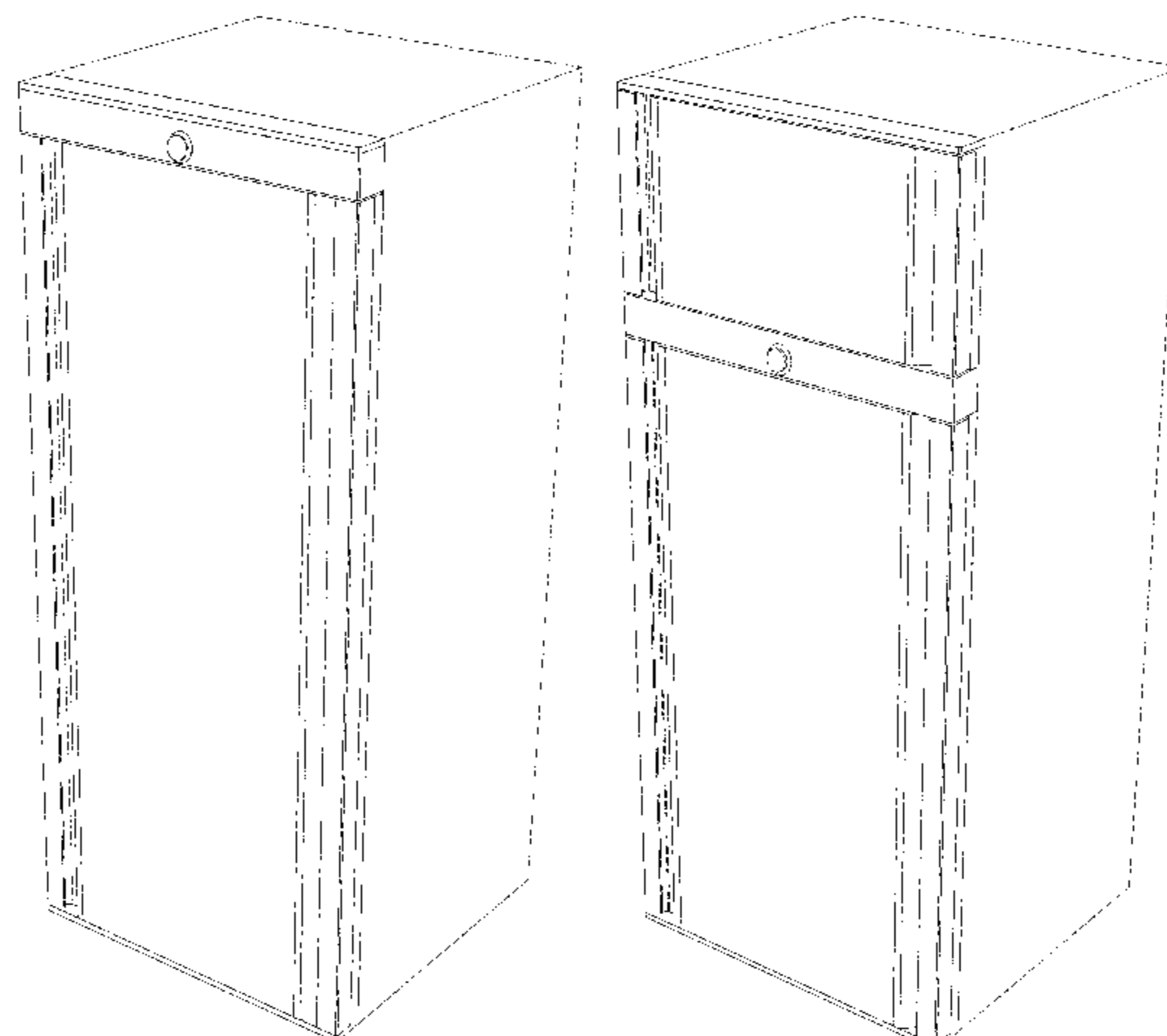
(57) **CLAIM**

The ornamental design for a refrigerator, as shown and described.

DESCRIPTION

FIG. 1 is a front view of a first embodiment of a refrigerator design;
FIG. 2 is a perspective view of the design of FIG. 1;
FIG. 3 is a front view of a second embodiment of a refrigerator design; and,
FIG. 4 is a perspective view of the design of FIG. 3.
The broken line disclosure represents unclaimed portions of the refrigerator in which the design is embodied.

1 Claim, 4 Drawing Sheets



(56)

References Cited

U.S. PATENT DOCUMENTS

2009/0142458 A1* 6/2009 McCann A23B 4/066
426/231
2011/0162403 A1* 7/2011 Selin F25D 23/063
62/264
2012/0159968 A1* 6/2012 Doucet F25D 31/007
62/3.6

OTHER PUBLICATIONS

European Design Patent Application No. 003351253 filed Aug. 24, 2016.

European Design Patent Application No. 003351444 filed Aug. 24, 2016.

U.S. Appl. No. 29/594,930 entitled "Control Panel" filed Feb. 23, 2017.

* cited by examiner

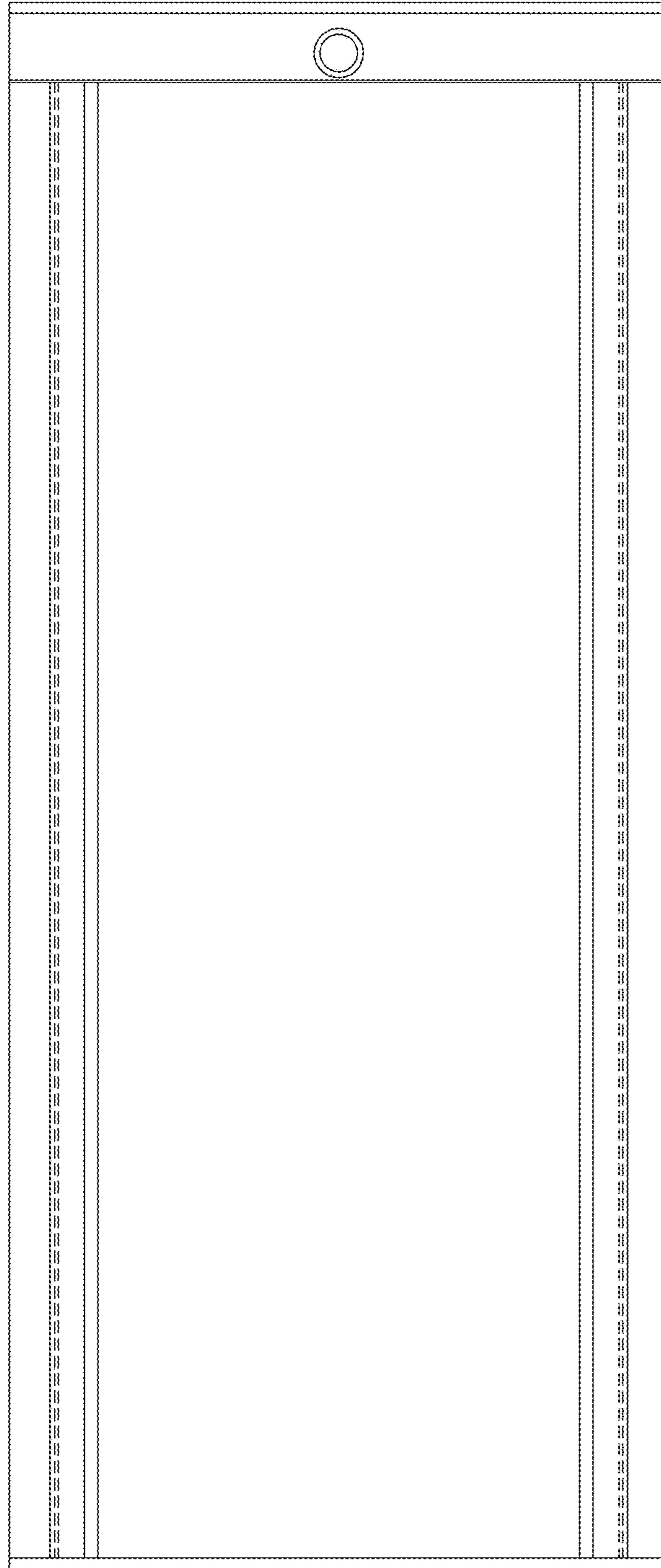


FIG. 1

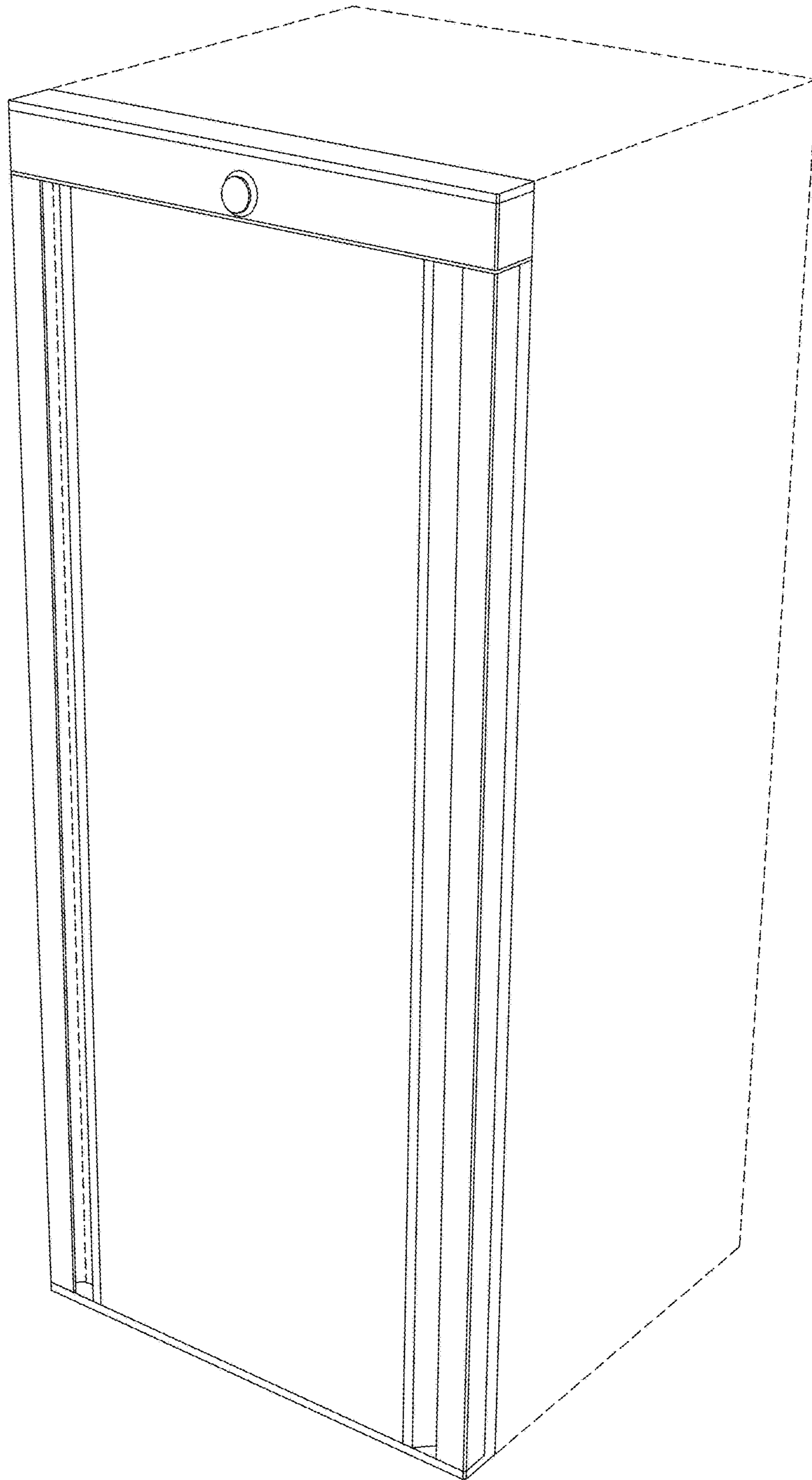


FIG. 2

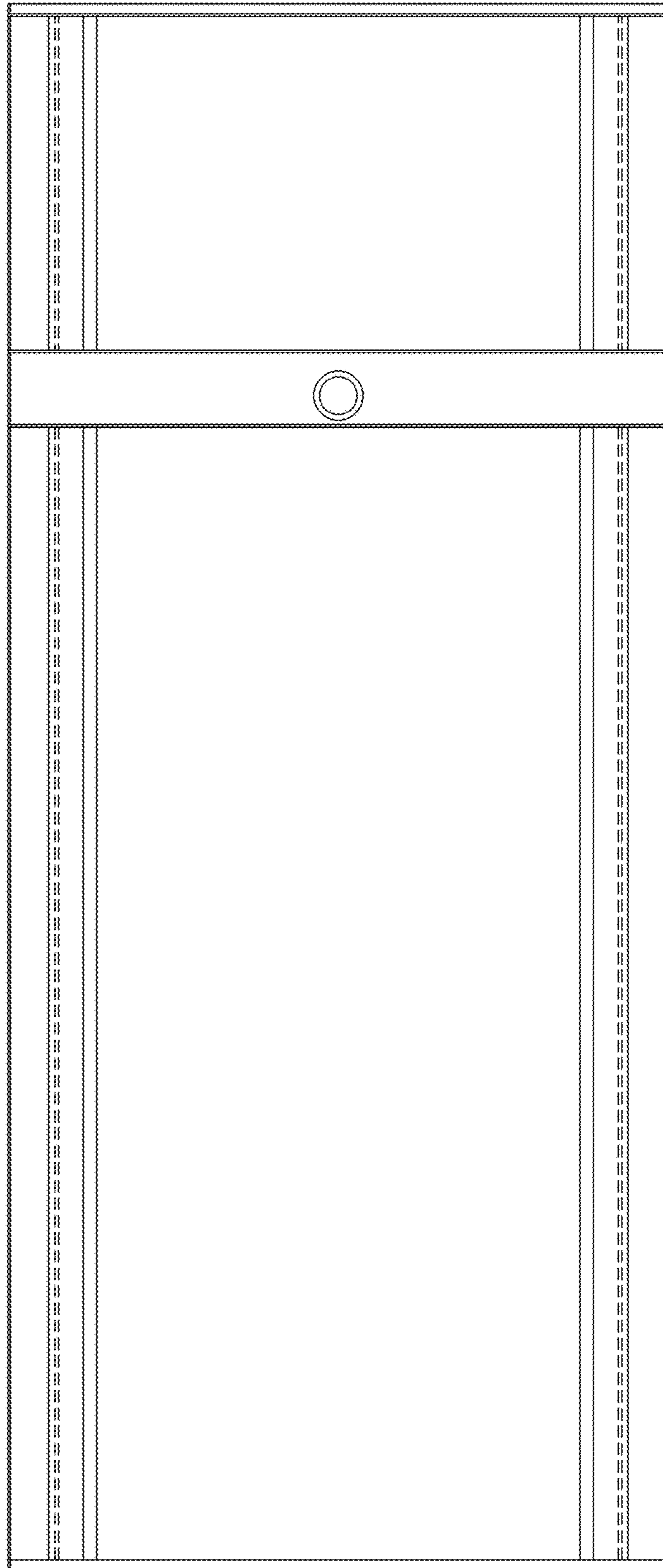


FIG. 3

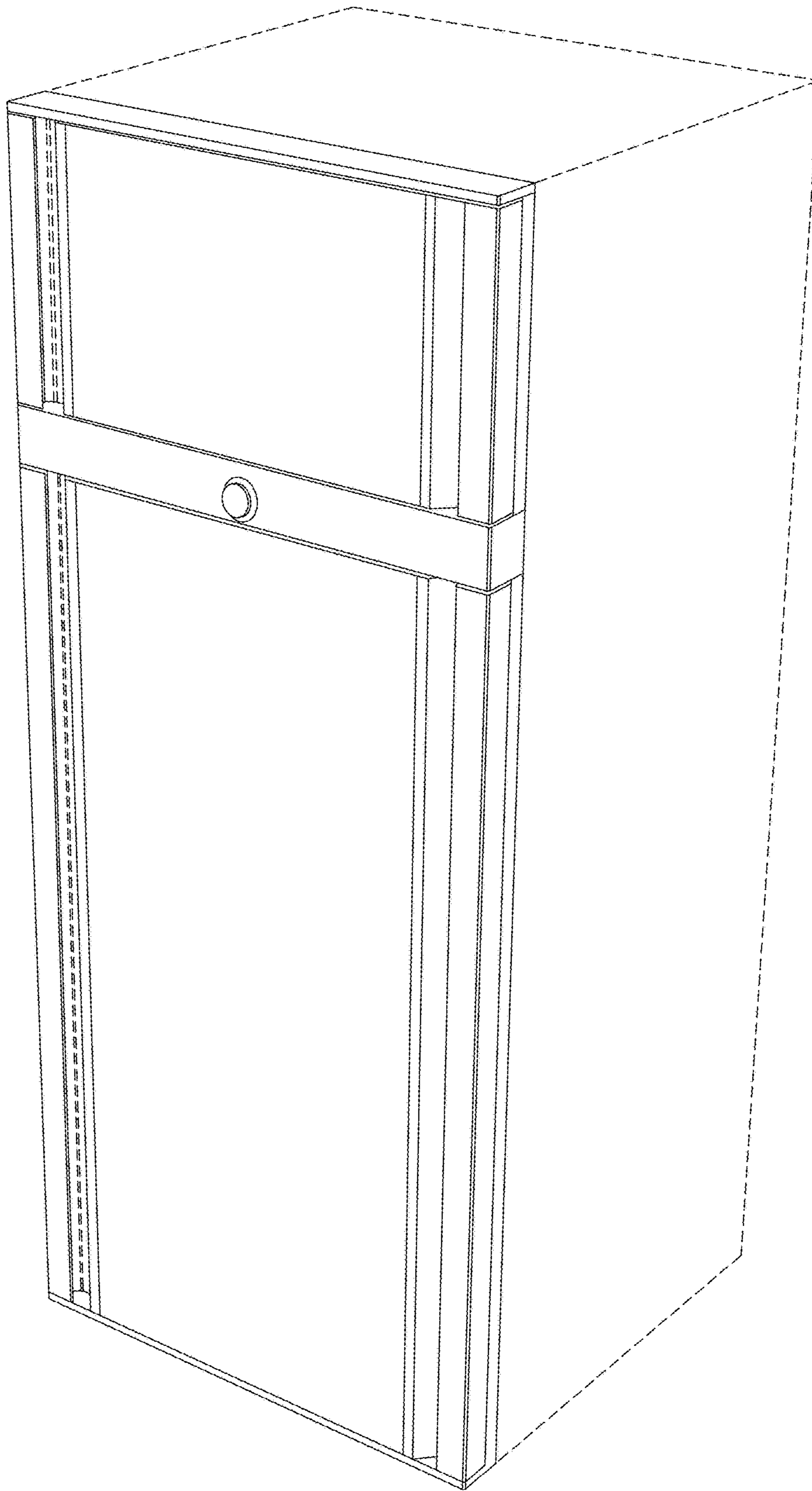


FIG. 4