



US00D849802S

(12) **United States Design Patent** (10) **Patent No.:** **US D849,802 S**
Loew (45) **Date of Patent:** **** May 28, 2019**

(54) **ENGINE HOOD OF A SINGLE DRUM ROLLER**

(71) Applicant: **BOMAG GmbH**, Boppard (DE)

(72) Inventor: **Roland Loew**, Klein-Winternheim (DE)

(73) Assignee: **BOMAG GmbH**, Boppard (DE)

(**) Term: **15 Years**

(21) Appl. No.: **29/631,965**

(22) Filed: **Jan. 4, 2018**

(30) **Foreign Application Priority Data**

Jul. 6, 2017 (EM) 004091841-0006

(51) **LOC (11) Cl.** **15-03**

(52) **U.S. Cl.**
USPC **D15/31**

(58) **Field of Classification Search**

USPC D15/10, 11, 13-17, 22-26, 28, 31;
D12/173; 56/13.3, 13.4, 15.8, 15.9,
56/320.1; 180/89.1, 89.12, 900, 69.2,
180/68.1, 69.1

CPC B62D 25/10; B62D 25/00; B62D
49/00-49/085; B60R 19/52; B60R 21/38;
B60K 13/02; B60K 11/08; B60K 11/04;
F01P 11/10; F01P 5/06; F01P 2001/005;
B60Y 2200/221

See application file for complete search history.

(56) **References Cited**

U.S. PATENT DOCUMENTS

D185,841 S 8/1959 Schertzer
D207,532 S 5/1967 Garis et al.
D275,678 S 9/1984 Mawhorr et al.
D396,431 S 7/1998 Lindgren et al.
6,742,960 B2 6/2004 Corcoran et al.
D500,329 S 12/2004 Bauve et al.

D516,094 S 2/2006 Dotsch et al.
D578,274 S * 10/2008 Tokach D15/31
D611,505 S * 3/2010 Loew D15/20
D611,506 S * 3/2010 Loew D15/20
D624,567 S * 9/2010 Kelley D15/30
D629,818 S * 12/2010 Rummer D15/31
D632,313 S * 2/2011 Kelley D15/30
D657,400 S 4/2012 Loew
D668,269 S 10/2012 Tezuka et al.
D668,694 S 10/2012 Tezuka et al.
D670,746 S * 11/2012 Ewringmann D15/31
D676,463 S 2/2013 Ewringmann et al.
D676,466 S * 2/2013 Ewringmann D15/20
D694,278 S 11/2013 Ewringmann
D694,279 S 11/2013 Ewringmann
D699,764 S 2/2014 Loew et al.
D708,233 S * 7/2014 Furuki D15/28
D715,333 S * 10/2014 Jacobsthal D15/31
D720,779 S 1/2015 Loew et al.

(Continued)

Primary Examiner — Mark A Goodwin

(74) *Attorney, Agent, or Firm* — Wood Herron & Evans
LLP

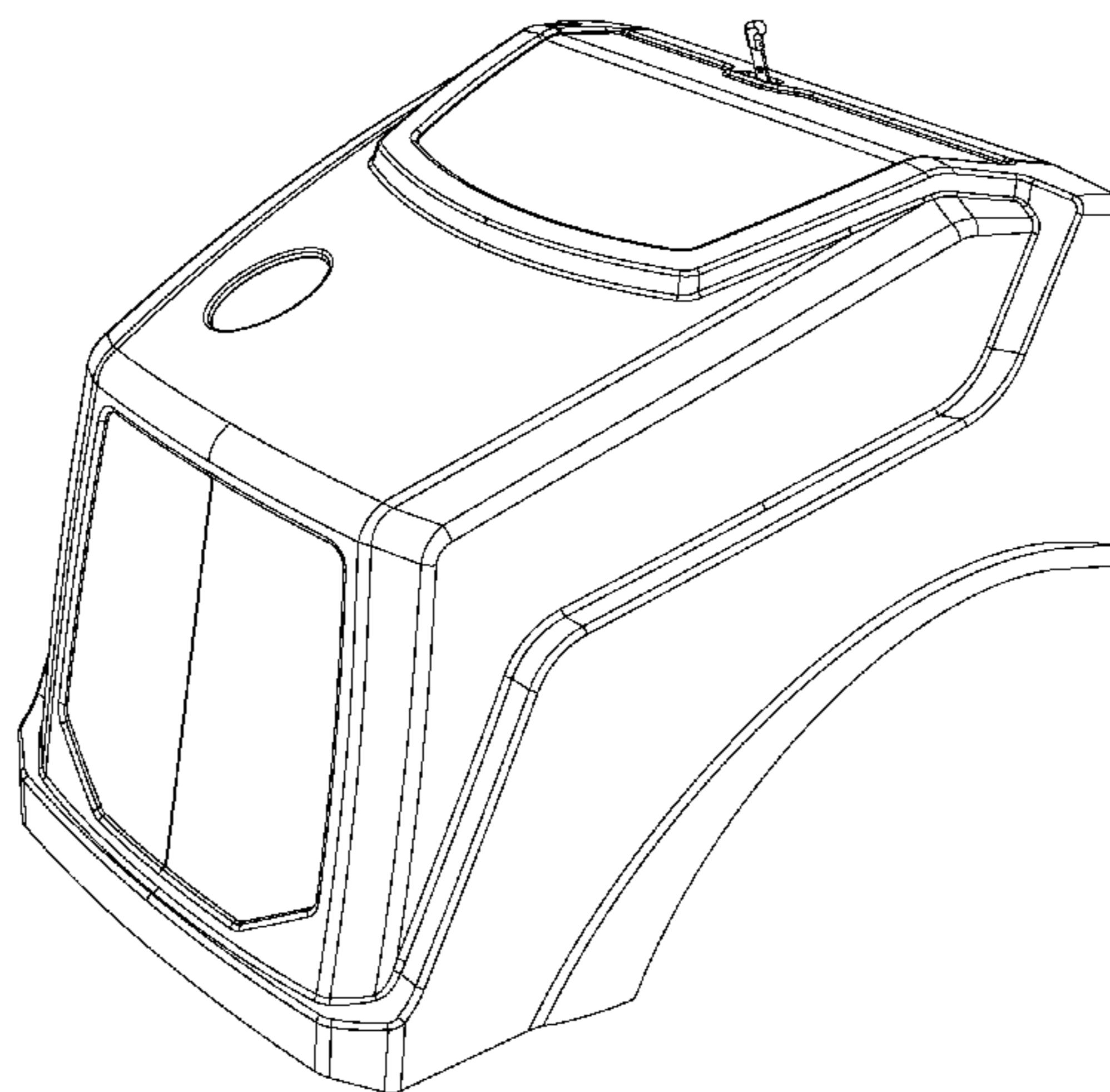
(57) **CLAIM**

The ornamental design for an engine hood of a single drum roller, as shown and described.

DESCRIPTION

FIG. 1 is a front right perspective view of an engine hood of a single drum roller showing my new design; FIG. 2 is a front left perspective view thereof; FIG. 3 is a front view thereof; FIG. 4 is a right side view thereof; FIG. 5 is a left side view thereof; FIG. 6 is a rear view thereof; FIG. 7 is a rear right perspective view thereof; FIG. 8 is a rear left perspective view thereof; FIG. 9 is a top view thereof; and, FIG. 10 is a bottom view thereof.

1 Claim, 10 Drawing Sheets



(56)

References Cited

U.S. PATENT DOCUMENTS

D724,109	S	*	3/2015	Haro	D15/20
D744,543	S		12/2015	Loew et al.		
D745,063	S		12/2015	Loew et al.		
D749,142	S		2/2016	Erdmann et al.		
D749,143	S		2/2016	Erdmann et al.		
D751,611	S	*	3/2016	Smith	D15/31
D757,826	S	*	5/2016	Hartz	D15/31
D762,740	S	*	8/2016	Okuyama	D15/28
D765,735	S		9/2016	Roemer et al.		
D766,339	S	*	9/2016	Hanke	D15/31
D784,426	S	*	4/2017	Okuyama	D15/31
D786,945	S	*	5/2017	Smith	D15/31
D789,424	S		6/2017	Roemer et al.		
D795,308	S	*	8/2017	Sauvaget	D15/31
D795,309	S	*	8/2017	Sauvaget	D15/31
D796,557	S		9/2017	Loew et al.		
D800,792	S		10/2017	Loew et al.		
D800,793	S		10/2017	Loew et al.		
D800,794	S		10/2017	Loew et al.		
D800,795	S		10/2017	Loew et al.		
D806,762	S		1/2018	Loew et al.		
D819,704	S		6/2018	Loew et al.		
2004/0028472	A1		2/2004	Richter		
2012/0114416	A1		5/2012	Marsolek et al.		
2012/0301221	A1		11/2012	Ackermann et al.		
2014/0161529	A1		6/2014	Darscheid et al.		
2015/0204031	A1		7/2015	Kreutz		
2017/0342668	A1		11/2017	Meindl et al.		

* cited by examiner

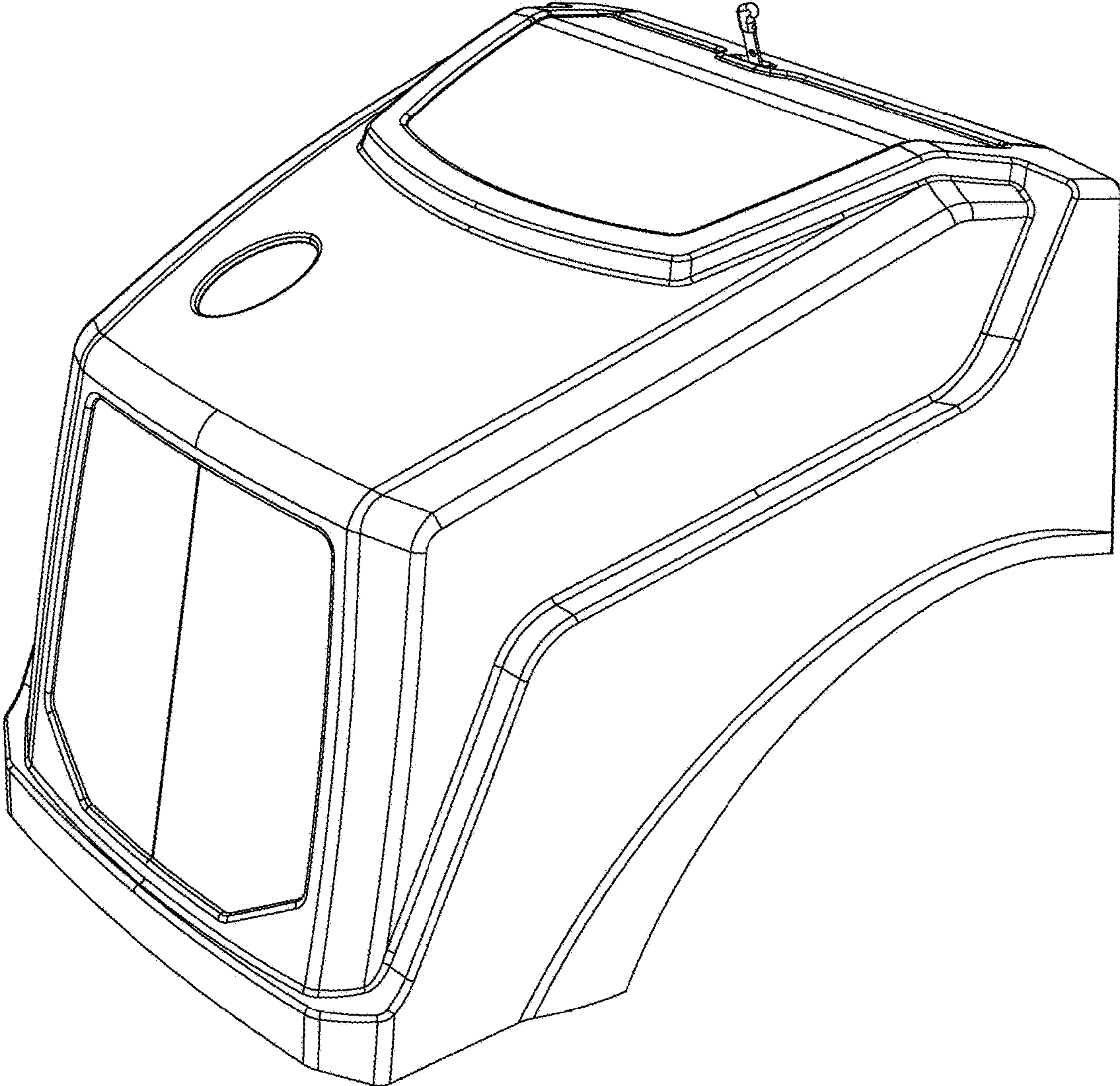


FIG. 1

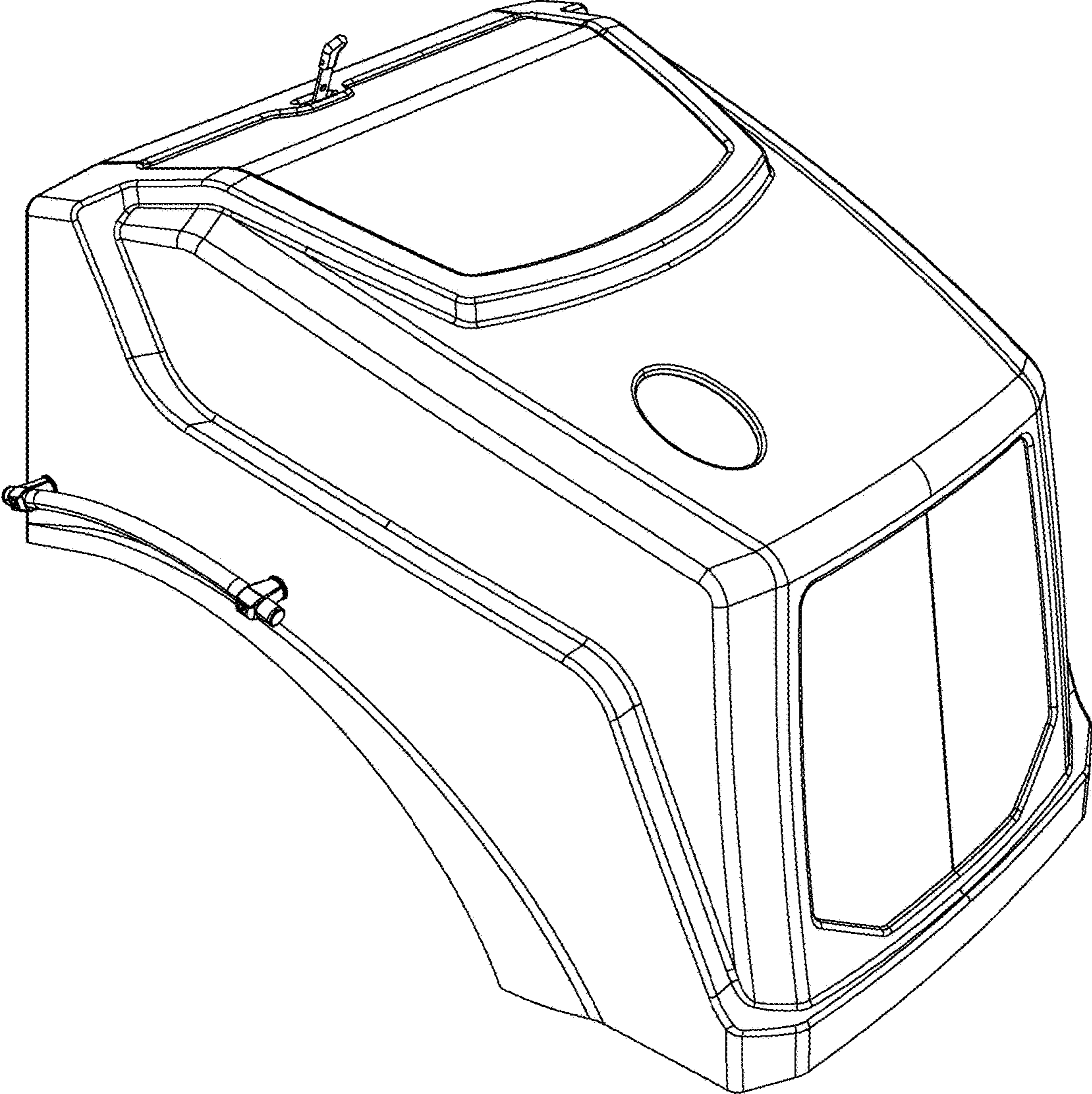


FIG. 2

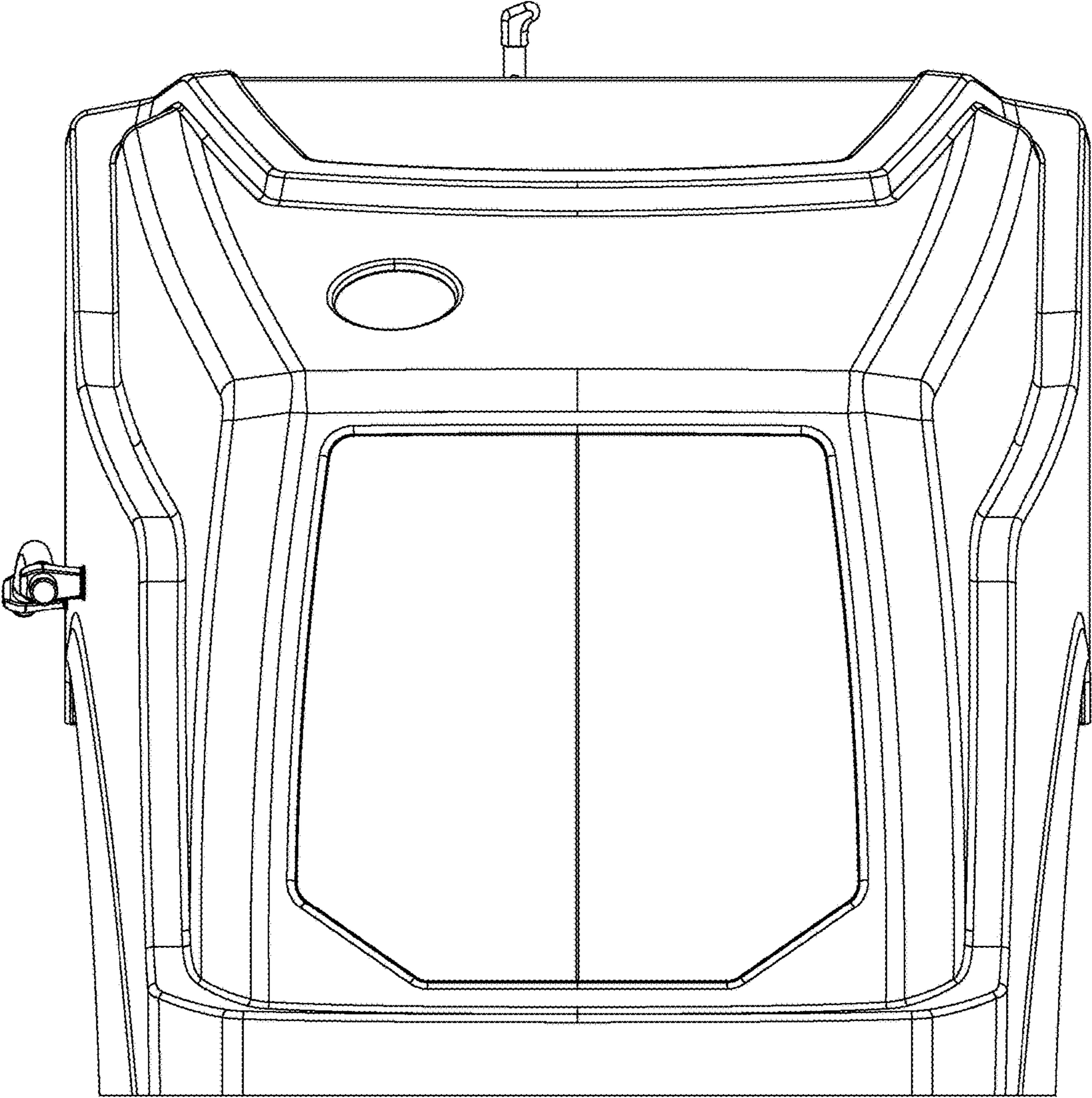


FIG. 3

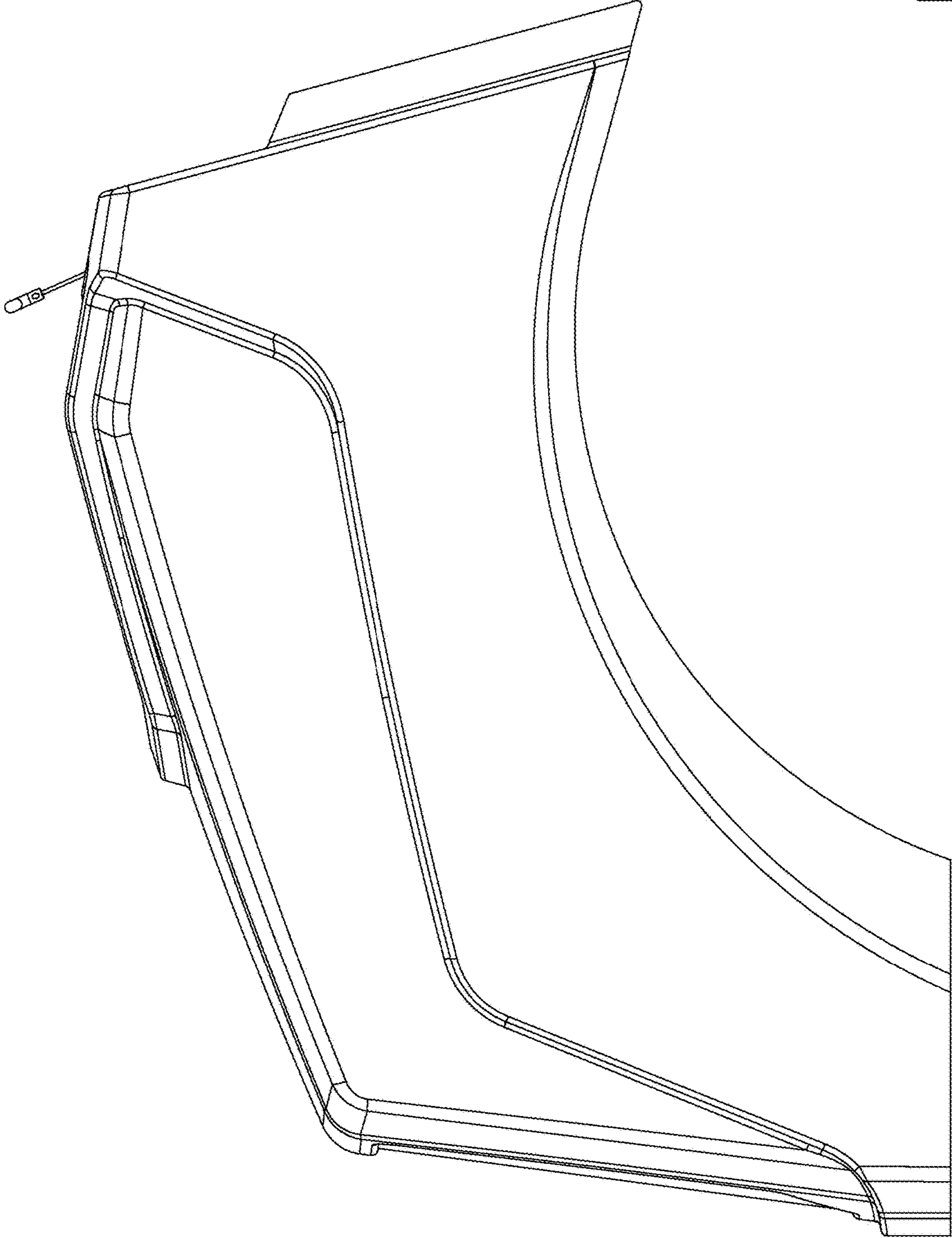


FIG. 4

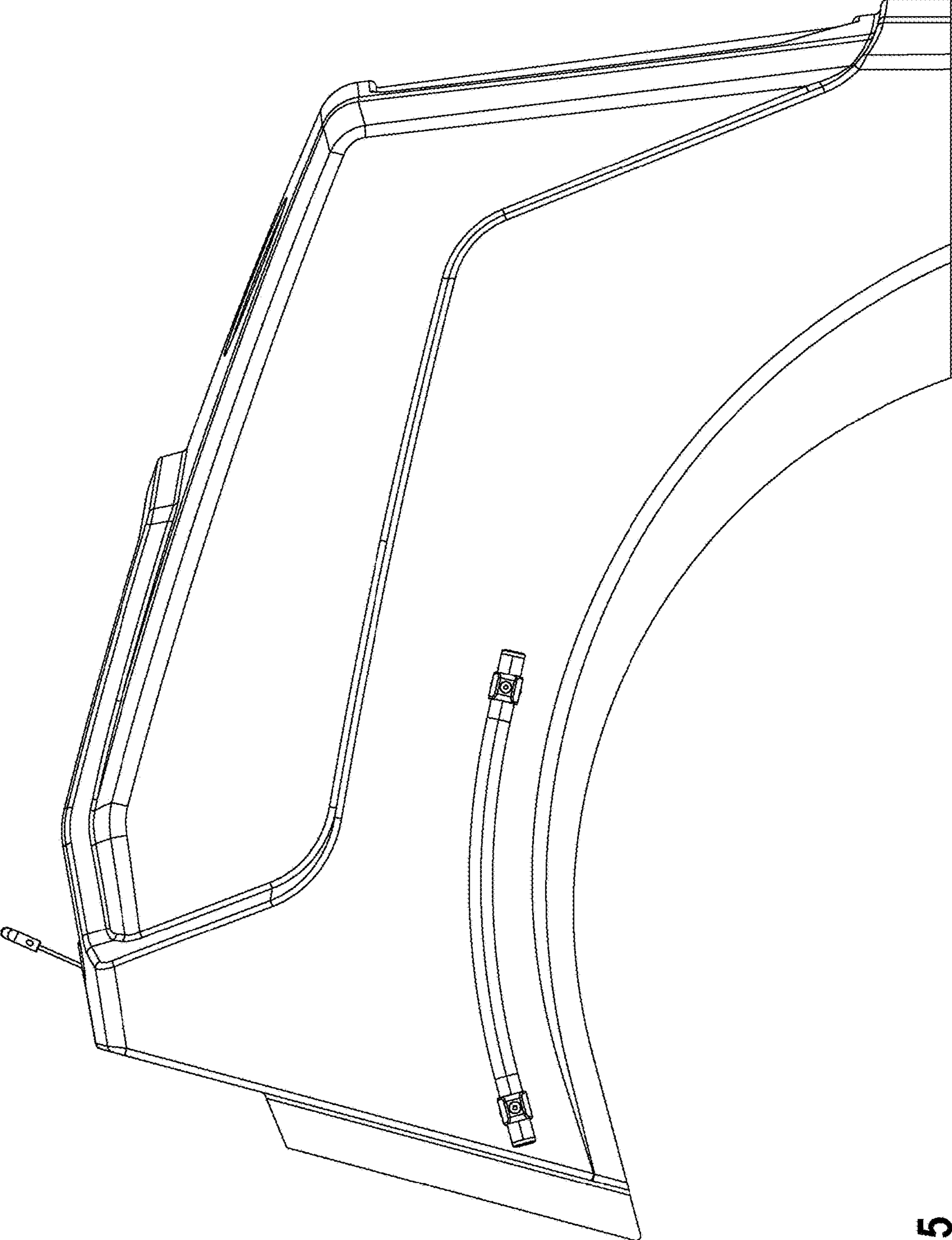


FIG. 5

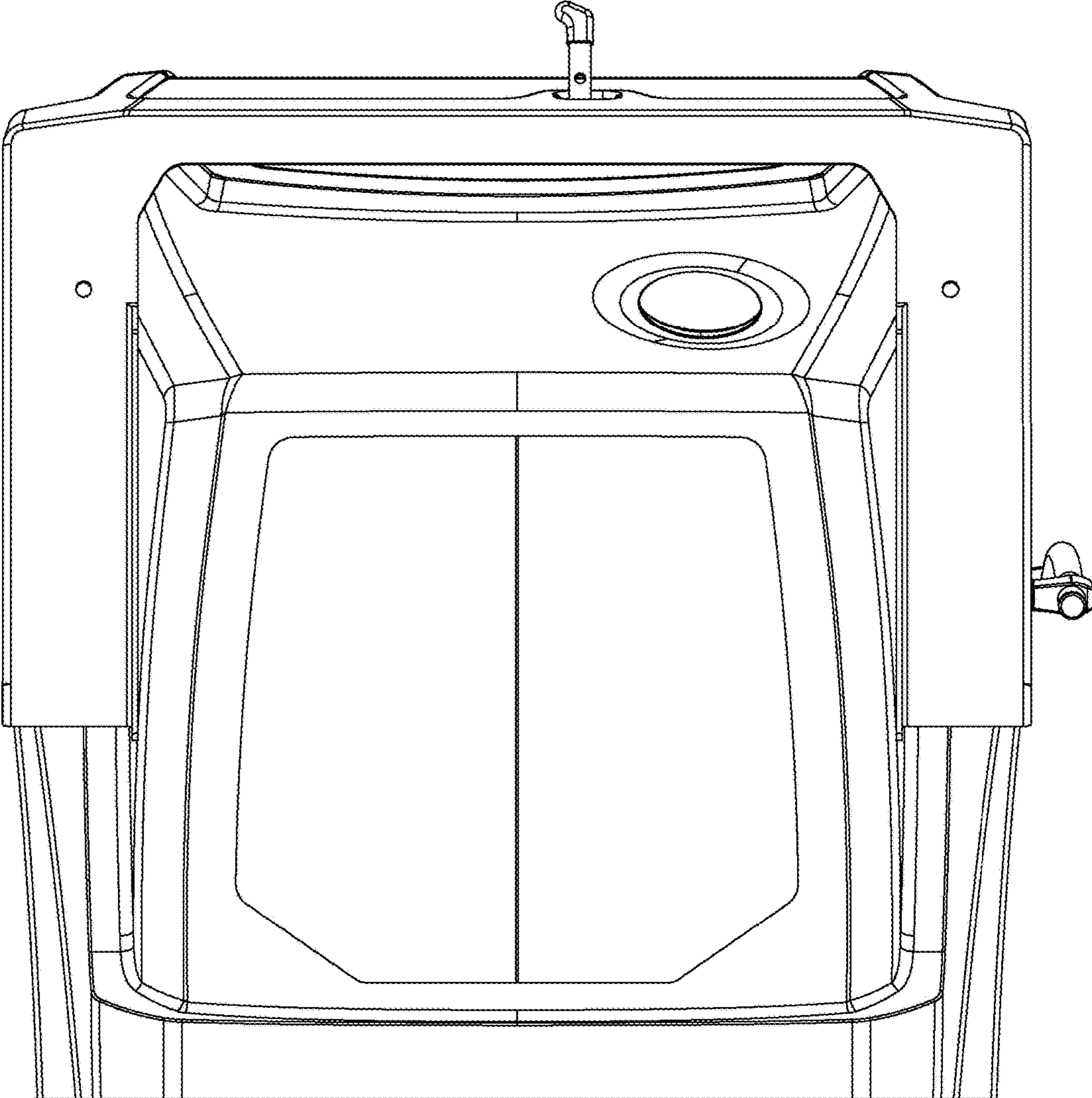


FIG. 6

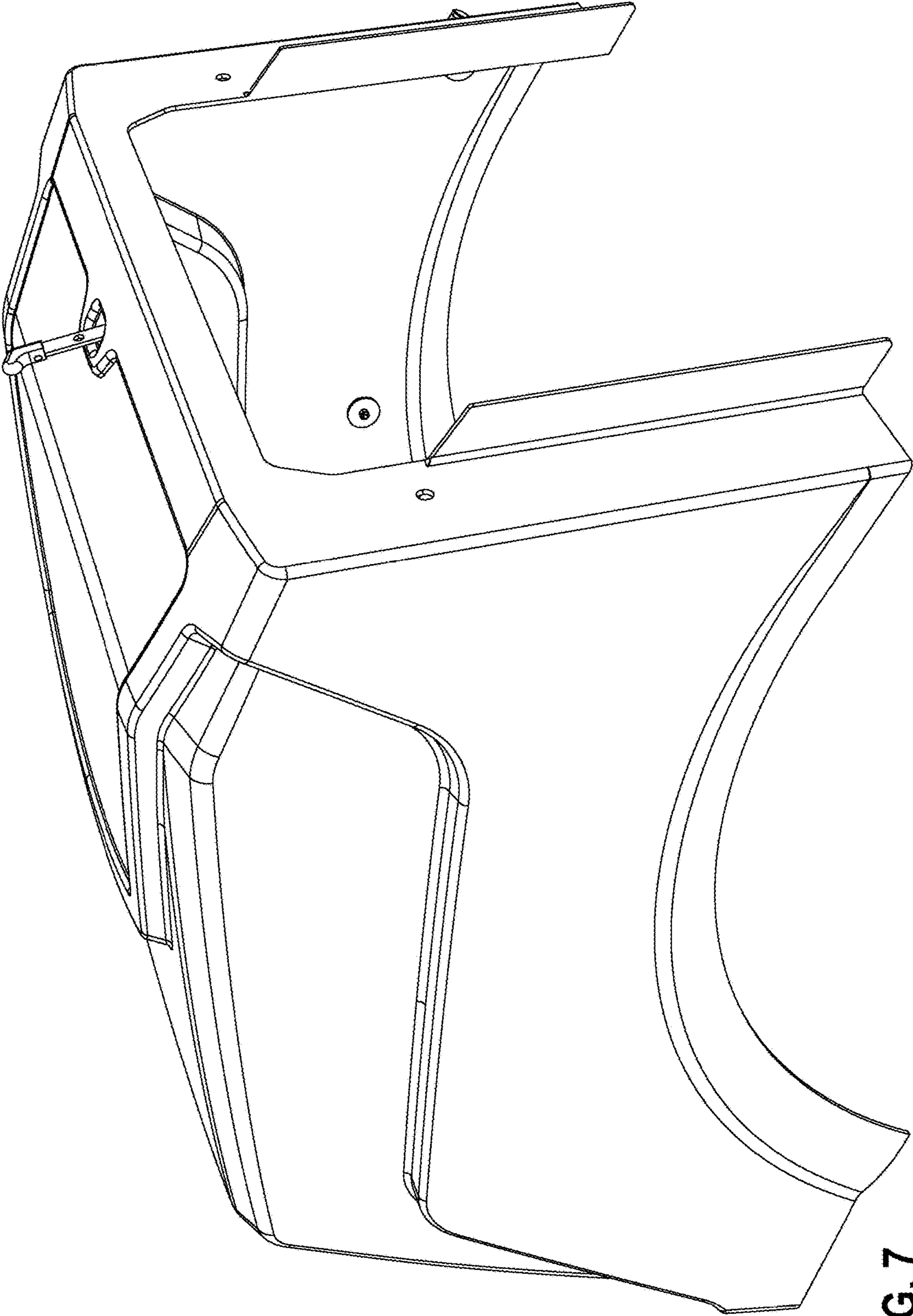


FIG. 7

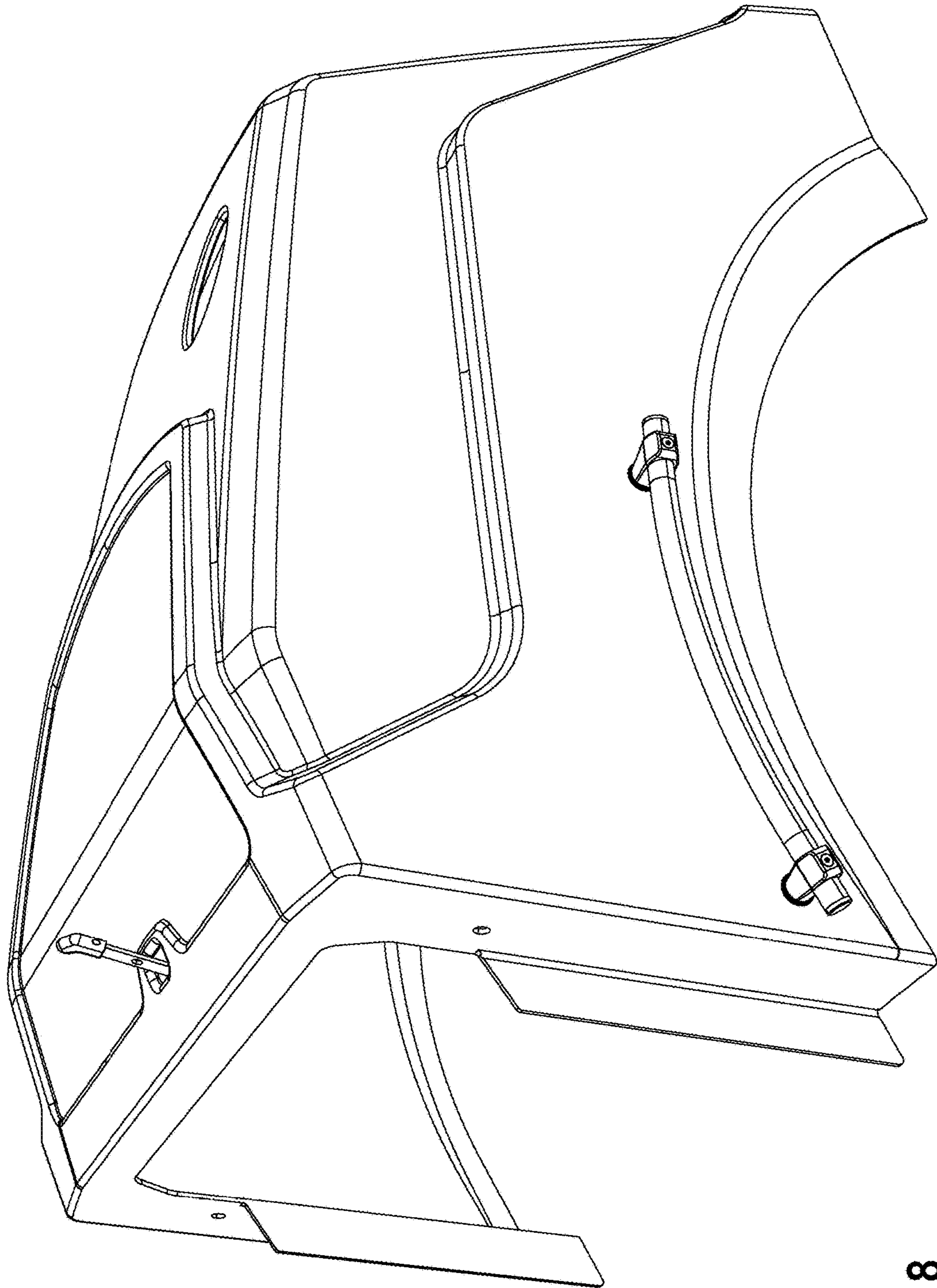


FIG. 8

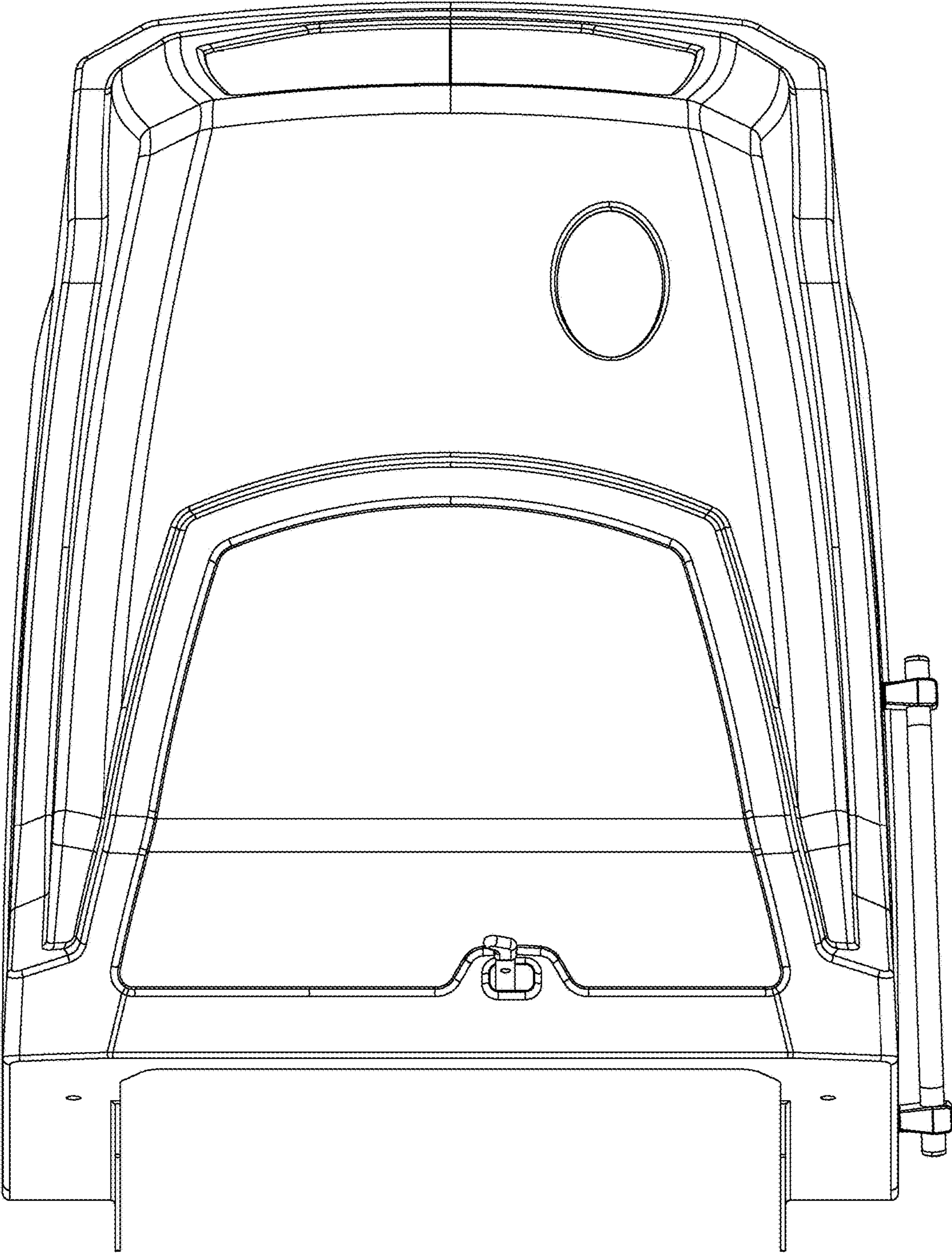


FIG. 9

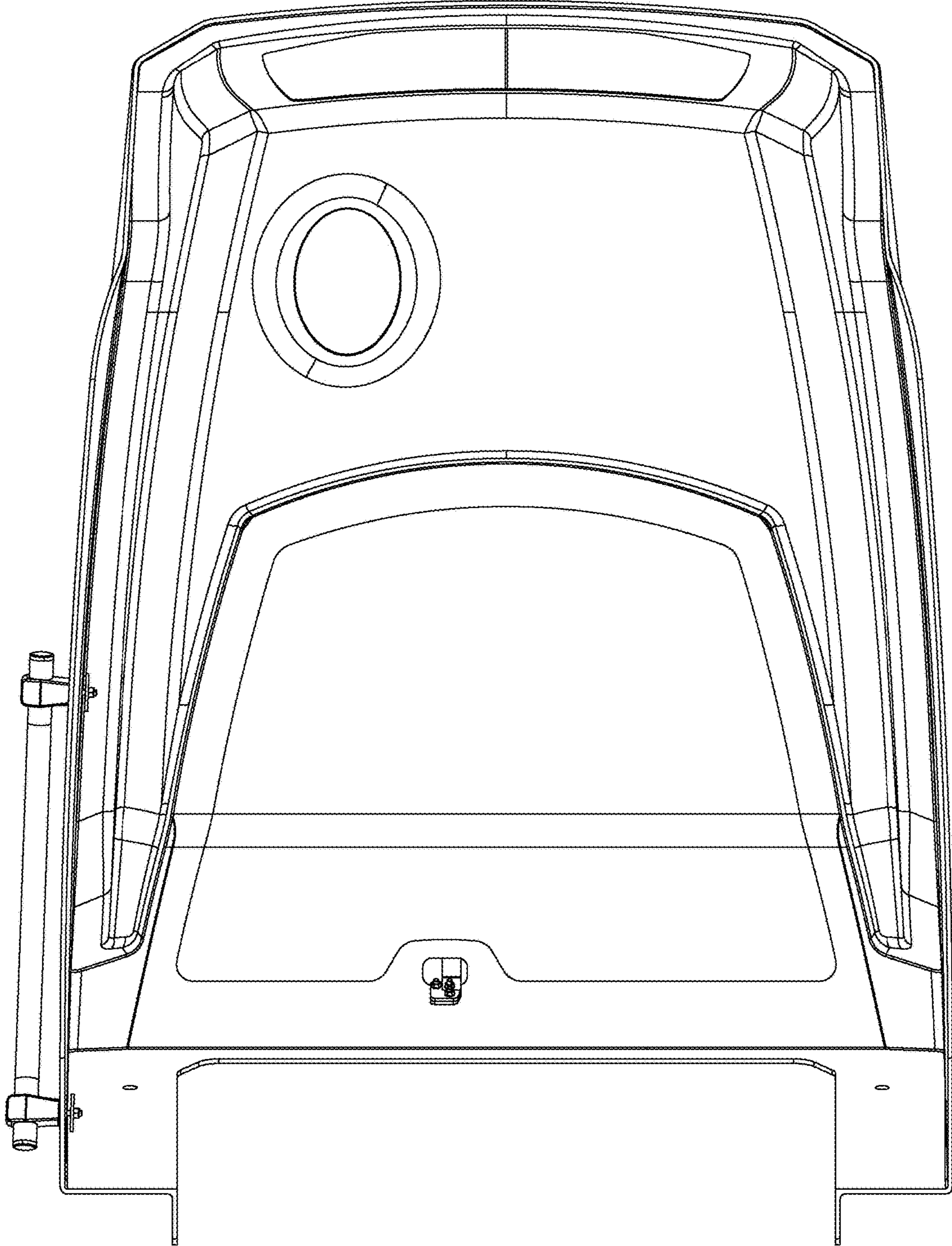


FIG. 10