



US00D849801S

(12) **United States Design Patent** (10) **Patent No.:** **US D849,801 S**  
**Dienst et al.** (45) **Date of Patent:** **\*\* May 28, 2019**

(54) **AGRICULTURAL PLANTER**

(56) **References Cited**

(71) Applicant: **CNH Industrial America LLC**, New Holland, PA (US)

U.S. PATENT DOCUMENTS

(72) Inventors: **Johnathon R. Dienst**, Maple Park, IL (US); **John Joseph Schrepferman**, Saint Charles, IL (US); **Richard Justice**, South Bend, IN (US); **Michael J. Connors**, Lockport, IL (US); **Brandon James Kuboushek**, New Lenox, IL (US); **Jacob A. Weis**, Bolingbrook, IL (US); **Travis Lester Harnetiaux**, Bourbonnais, IL (US)

D469,782 S *	2/2003	Paluch .....	D15/10
6,935,254 B2 *	8/2005	Ostrander .....	A01B 73/065 111/174
D559,868 S *	1/2008	Nanlawala .....	D15/10
D627,373 S *	11/2010	Prickel .....	D15/10
D628,214 S *	11/2010	Knobloch .....	D15/27
D629,426 S *	12/2010	Prickel .....	D15/10
D629,427 S *	12/2010	Prickel .....	D15/10
D631,068 S *	1/2011	Prickel .....	D15/10
D646,699 S *	10/2011	Knobloch .....	D15/27
D667,847 S *	9/2012	Kovach .....	A01B 49/02 D15/11
D680,559 S *	4/2013	Blunier .....	D15/10
D690,740 S	10/2013	Gonzales et al.	
D690,741 S	10/2013	Gonzales et al.	

(73) Assignee: **CNH Industrial America LLC**, New Holland, PA (US)

(Continued)

(\*\*) Term: **15 Years**

*Primary Examiner* — Mark A Goodwin

(21) Appl. No.: **29/638,913**

(74) *Attorney, Agent, or Firm* — Rebecca L. Henkel;  
Rickard K. DeMille

(22) Filed: **Mar. 1, 2018**

(51) **LOC (11) Cl.** ..... **15-03**

(57) **CLAIM**

(52) **U.S. Cl.**

The ornamental design for an agricultural planter, substantially as shown and described.

USPC ..... **D15/27**

(58) **Field of Classification Search**

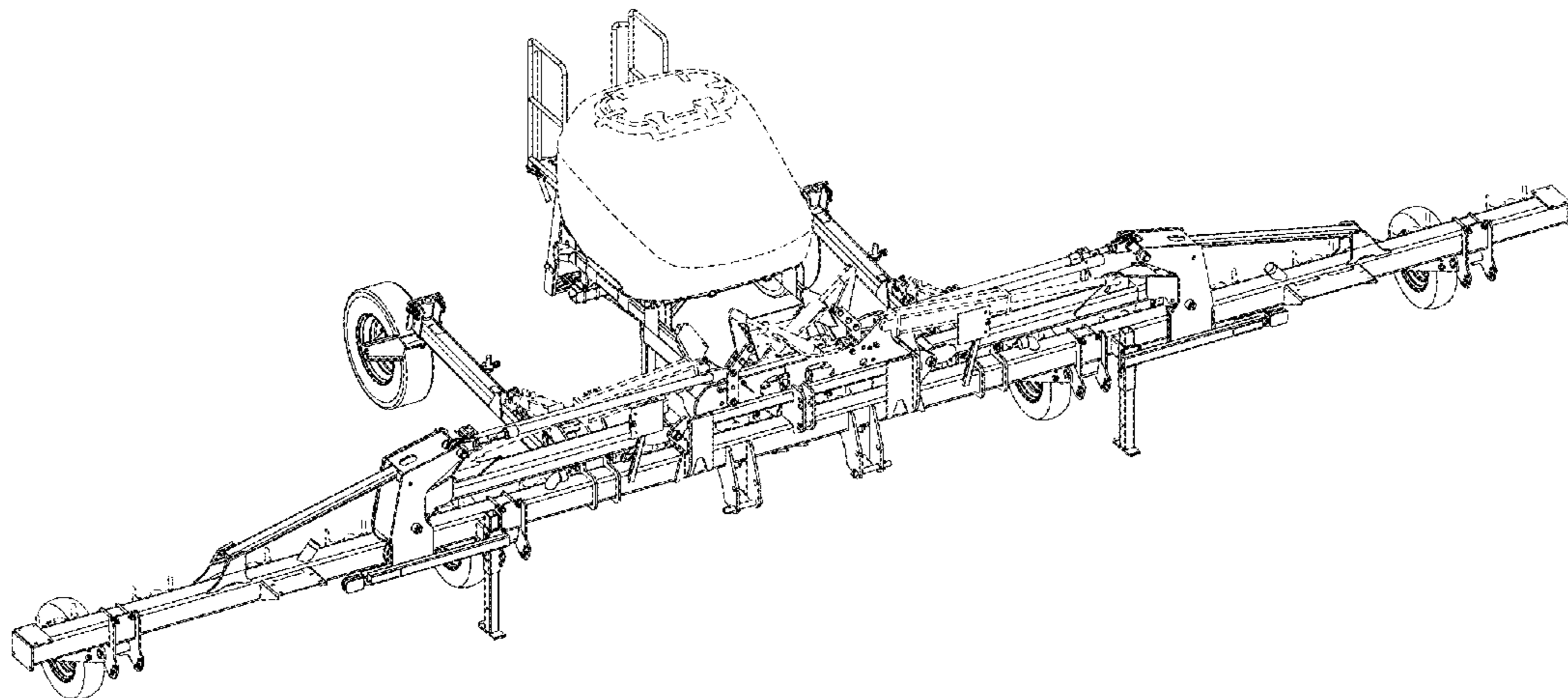
**DESCRIPTION**

USPC ..... D15/10, 12, 27, 28; 56/15.8, 15.9; 172/311, 210, 466, 484, 456, 481, 605, 172/626, 776, 507; 280/411.1, 412, 413, 280/415 A, 415 R, 482, 656  
CPC ..... A01B 73/065; A01B 73/005; A01B 73/00; A01B 73/02; A01B 73/04; A01B 73/06; A01B 49/06; A01B 49/00; A01B 61/044; A01B 61/048; A01B 5/04; A01B 49/027; A01B 73/046; A01B 73/048; A01B 63/002; A01B 63/14; A01B 63/32; A01B 63/118; A01C 7/208; A01C 7/18; A01C 7/00; A01C 7/20; A01C 7/06; A01C 5/064; A01C 5/068; A01C 7/203; A01C 7/205; A01C 7/206; Y10S 111/921; Y10S 111/923; Y10S 111/924; Y10S 111/925

FIG. 1 is a front perspective view of an agricultural planter showing our new design;  
FIG. 2 is a front view of the agricultural planter;  
FIG. 3 is a back view of the agricultural planter;  
FIG. 4 is a right side view of the agricultural planter;  
FIG. 5 is a left side view of the agricultural planter;  
FIG. 6 is a top view of the agricultural planter; and,  
FIG. 7 is a bottom view of the agricultural planter.  
Phantom lines, where utilized, are for illustrative purposes only and form no part of the claimed design.

See application file for complete search history.

**1 Claim, 6 Drawing Sheets**



(56)

**References Cited**

U.S. PATENT DOCUMENTS

D713,424	S	9/2014	Gonzales et al.	
D758,458	S *	6/2016	Anderson .....	D15/10
D766,333	S *	9/2016	Anderson .....	D15/27
D813,915	S *	3/2018	Horsch .....	D15/27
D823,348	S *	7/2018	Sudbrink .....	D15/27
2003/0164126	A1 *	9/2003	Paluch .....	A01C 7/06 111/57
2003/0164127	A1 *	9/2003	Paluch .....	A01B 61/044 111/200
2009/0178600	A1 *	7/2009	Horn .....	A01C 15/006 111/52
2009/0199750	A1 *	8/2009	Rice .....	A01C 19/04 111/52
2009/0229501	A1 *	9/2009	Jaime .....	A01B 73/065 111/55
2010/0126743	A1 *	5/2010	Poole .....	A01B 73/065 172/311
2010/0126744	A1 *	5/2010	Poole .....	A01B 73/065 172/311
2014/0190980	A1	7/2014	Long et al.	

\* cited by examiner

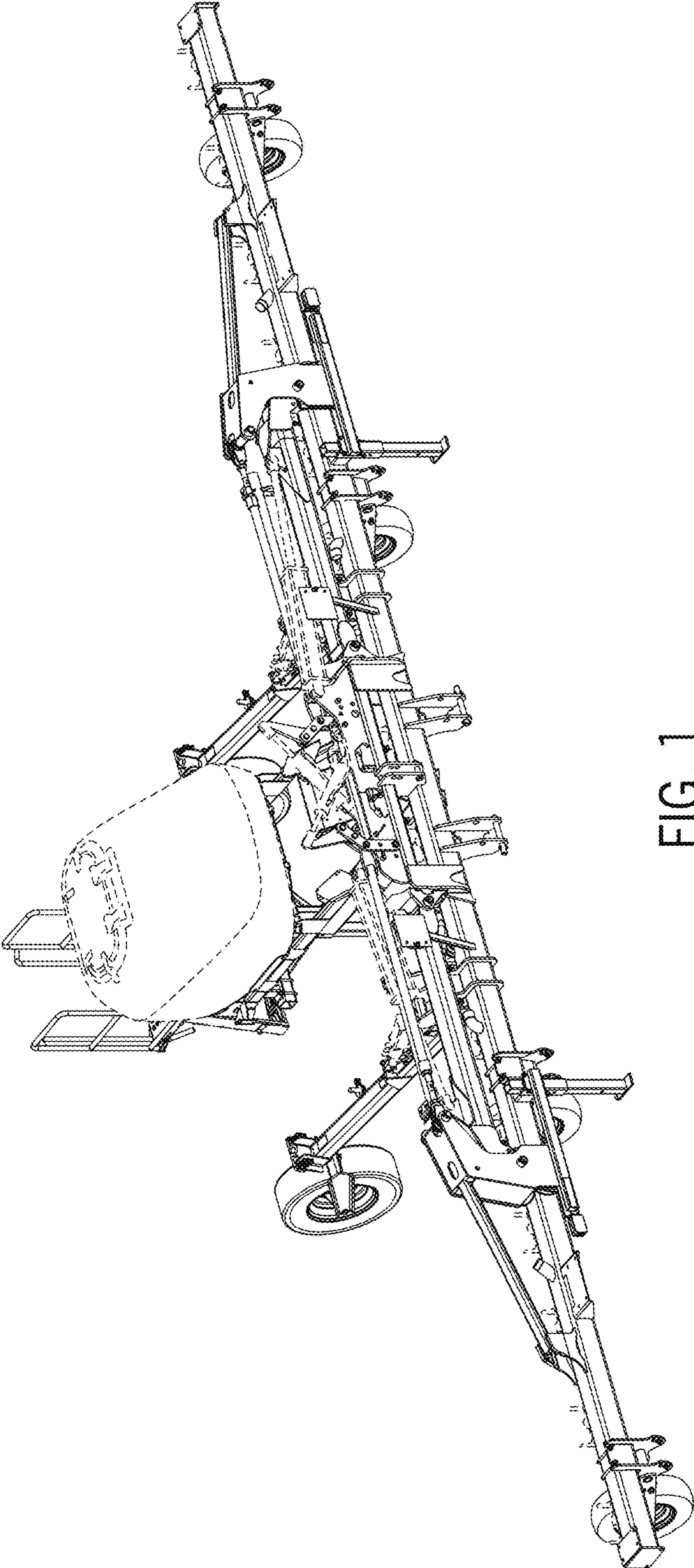


FIG. 1



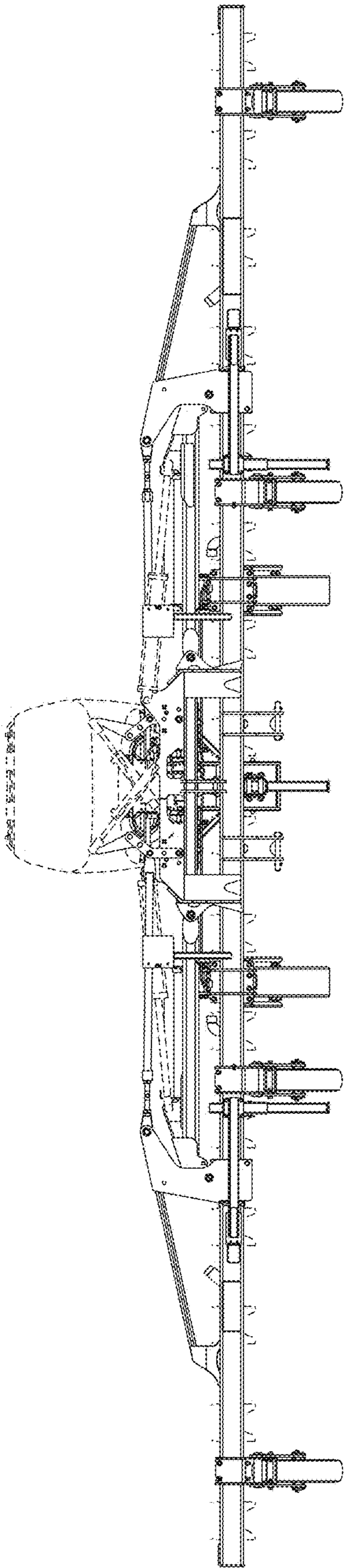


FIG. 2

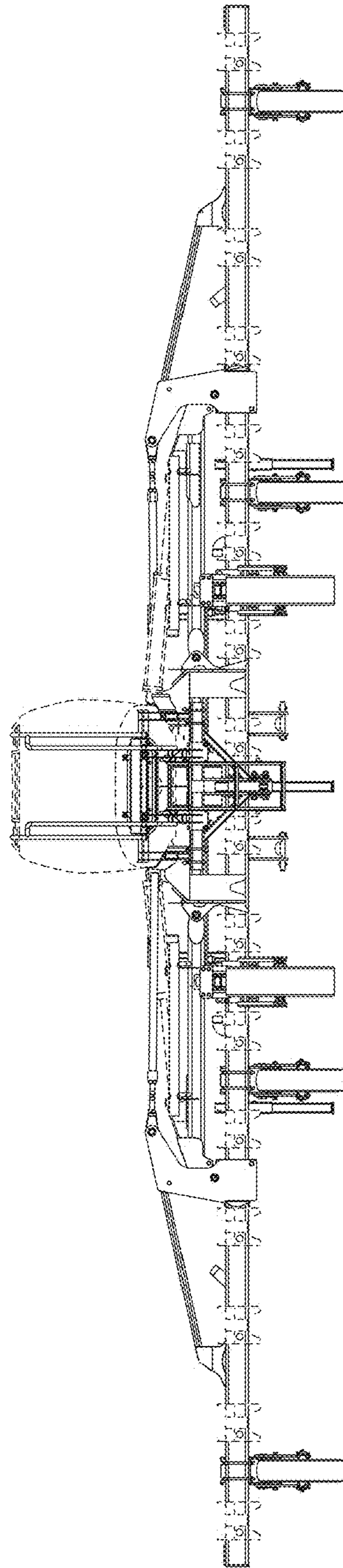
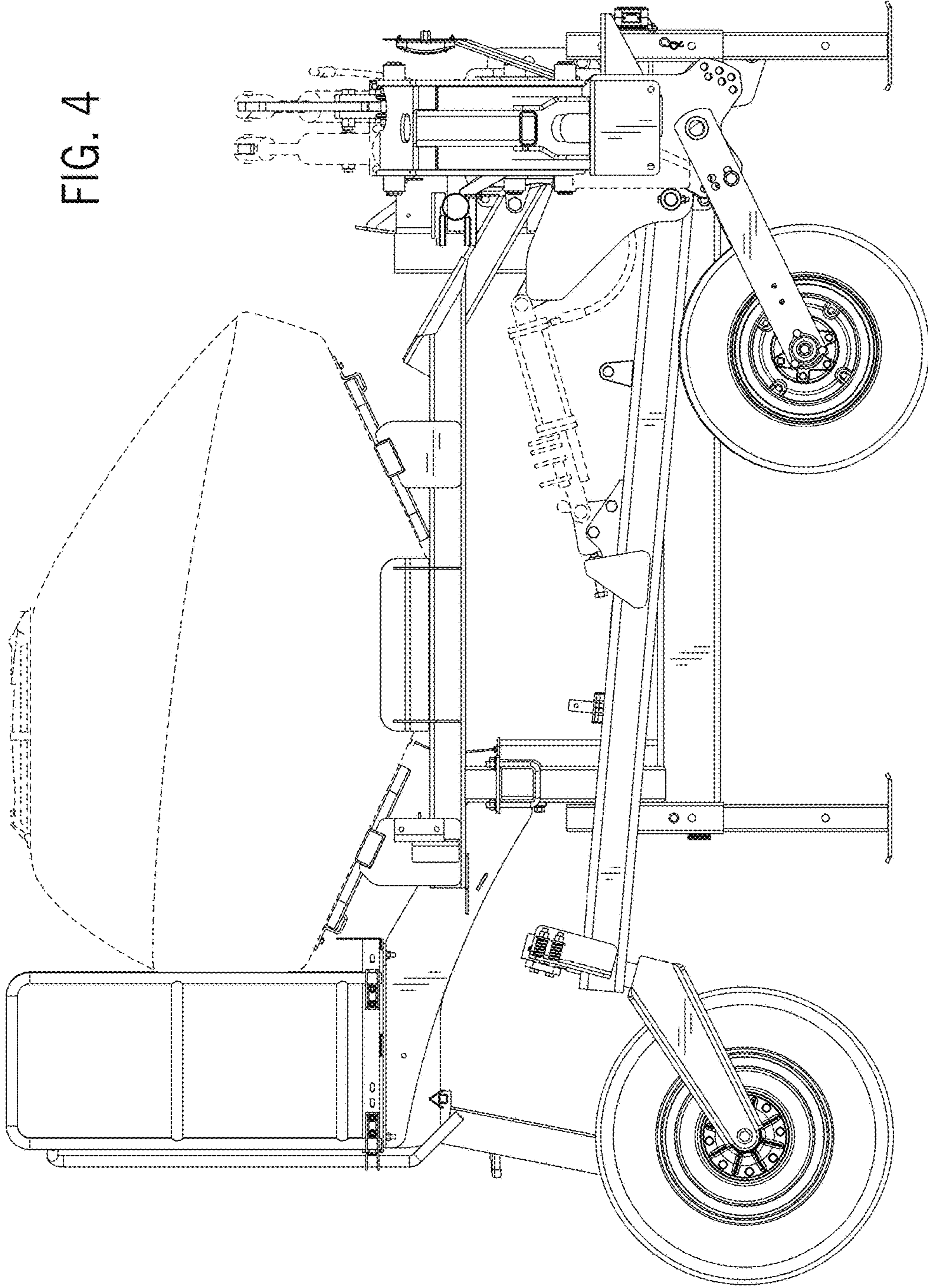


FIG. 3

FIG. 4





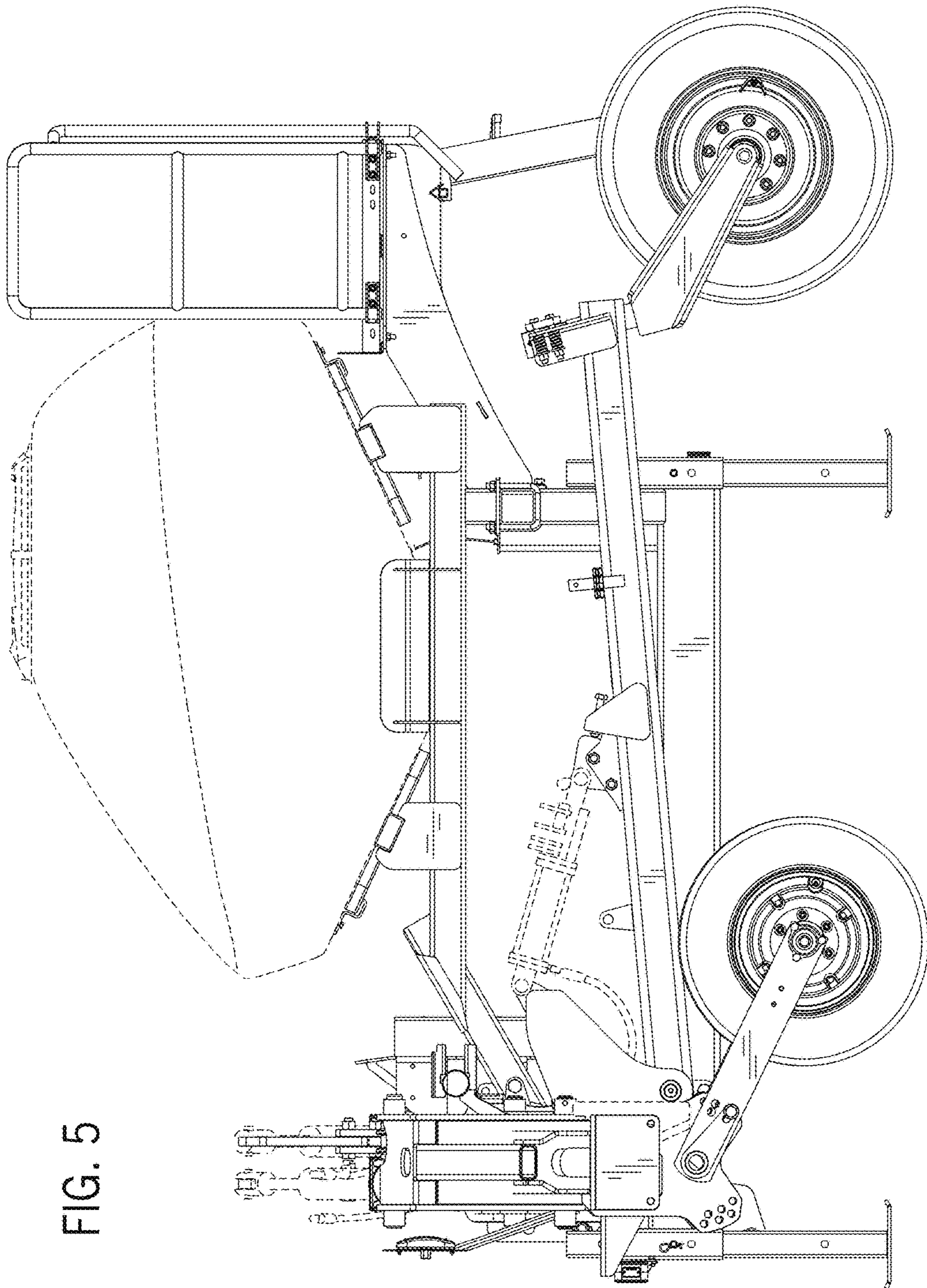


FIG. 5

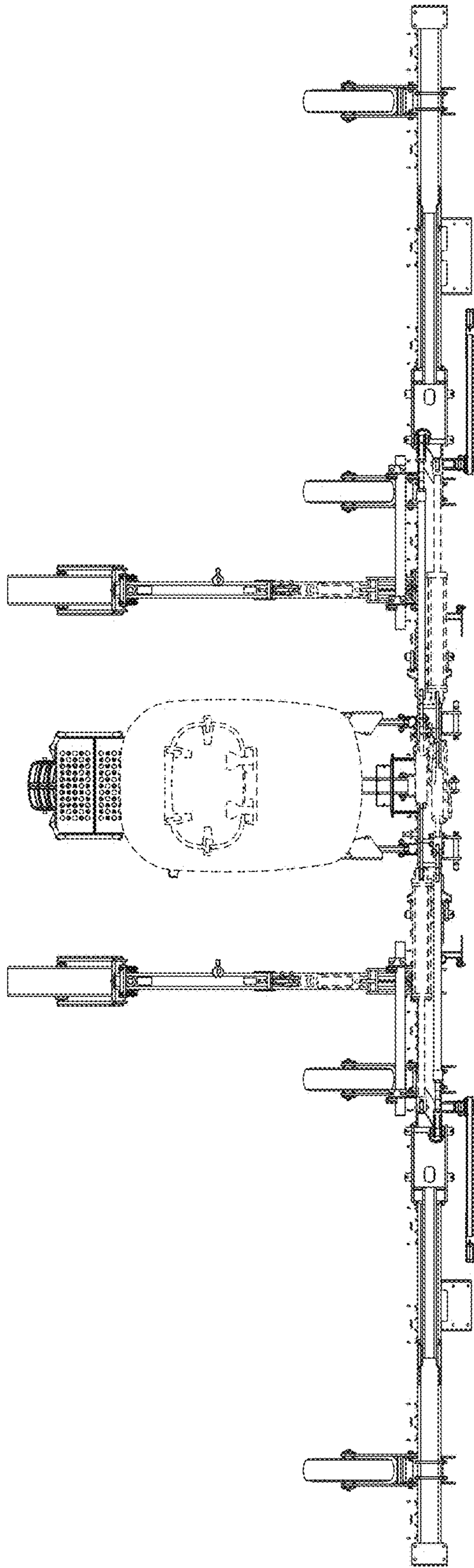


FIG. 6

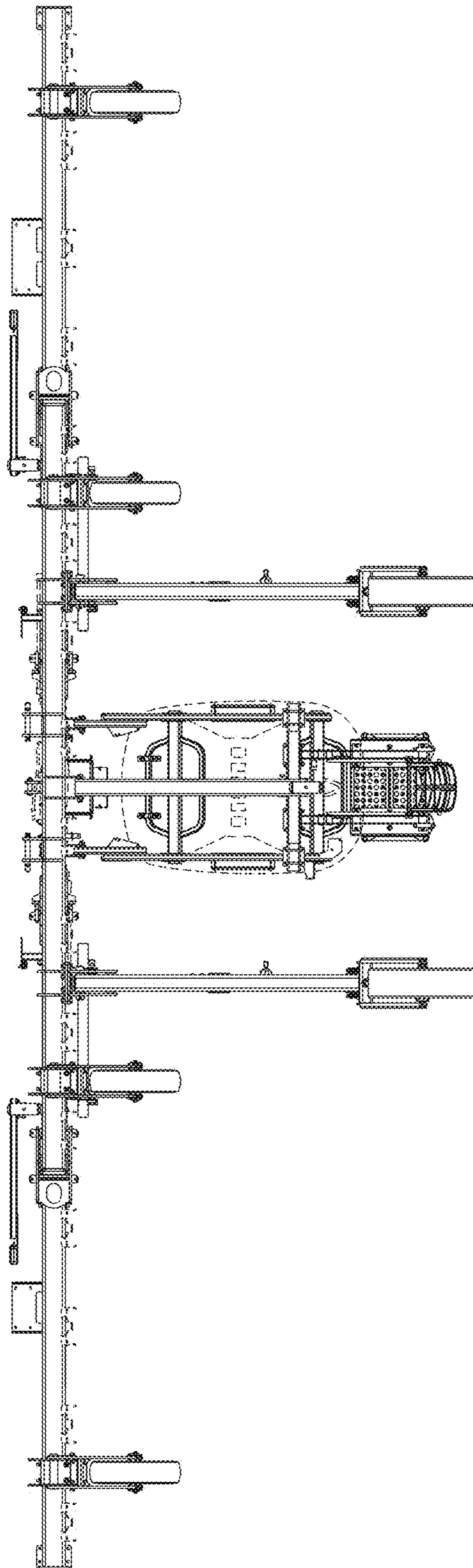


FIG. 7