



US00D849797S

(12) **United States Design Patent** (10) **Patent No.:** **US D849,797 S**  
**Linker et al.** (45) **Date of Patent:** **\*\* May 28, 2019**

(54) **BLOWER ASSEMBLY** 7,059,129 B2 \* 6/2006 Zollinger ..... F01D 17/165  
60/602  
(71) Applicant: **General Electric Company,** D725,257 S \* 3/2015 Huang ..... D23/370  
Schenectady, NY (US) D736,368 S \* 8/2015 Xu ..... D23/370  
D809,121 S \* 1/2018 Richardson ..... D23/379  
(72) Inventors: **Ryan Keith Linker,** Lawrence Park, D813,369 S \* 3/2018 Chiu ..... D23/370  
PA (US); **Henry Todd Young, Jr.,** Erie, D820,966 S \* 6/2018 De Filippis ..... D23/370  
PA (US); **Sean Cillessen,** Erie, PA 2013/0315737 A1 \* 11/2013 Dygert ..... F04D 29/526  
(US); **Sagar Mehta,** Erie, PA (US) 416/179

\* cited by examiner

(73) Assignee: **GE Global Sourcing LLC,** Norwalk,  
CT (US)  
(\*\*) Term: **15 Years**

*Primary Examiner* — T Chase Nelson  
*Assistant Examiner* — Ania Aman

(74) *Attorney, Agent, or Firm* — McCoy Russell LLP

(21) Appl. No.: **29/547,139**  
(22) Filed: **Dec. 1, 2015**  
(51) **LOC (11) Cl.** ..... **15-01**  
(52) **U.S. Cl.**  
USPC ..... **D15/5**  
(58) **Field of Classification Search**  
USPC ..... D15/5, 7; D23/370, 377, 379, 381, 382,  
D23/385, 411, 413, 414, 332, 328;  
D26/59; D13/179  
CPC ..... F04D 25/08; F04D 29/388; F04D 29/34;  
F04D 25/088; H02K 1/187  
See application file for complete search history.

(57) **CLAIM**

The ornamental design for a blower assembly, as shown and described.

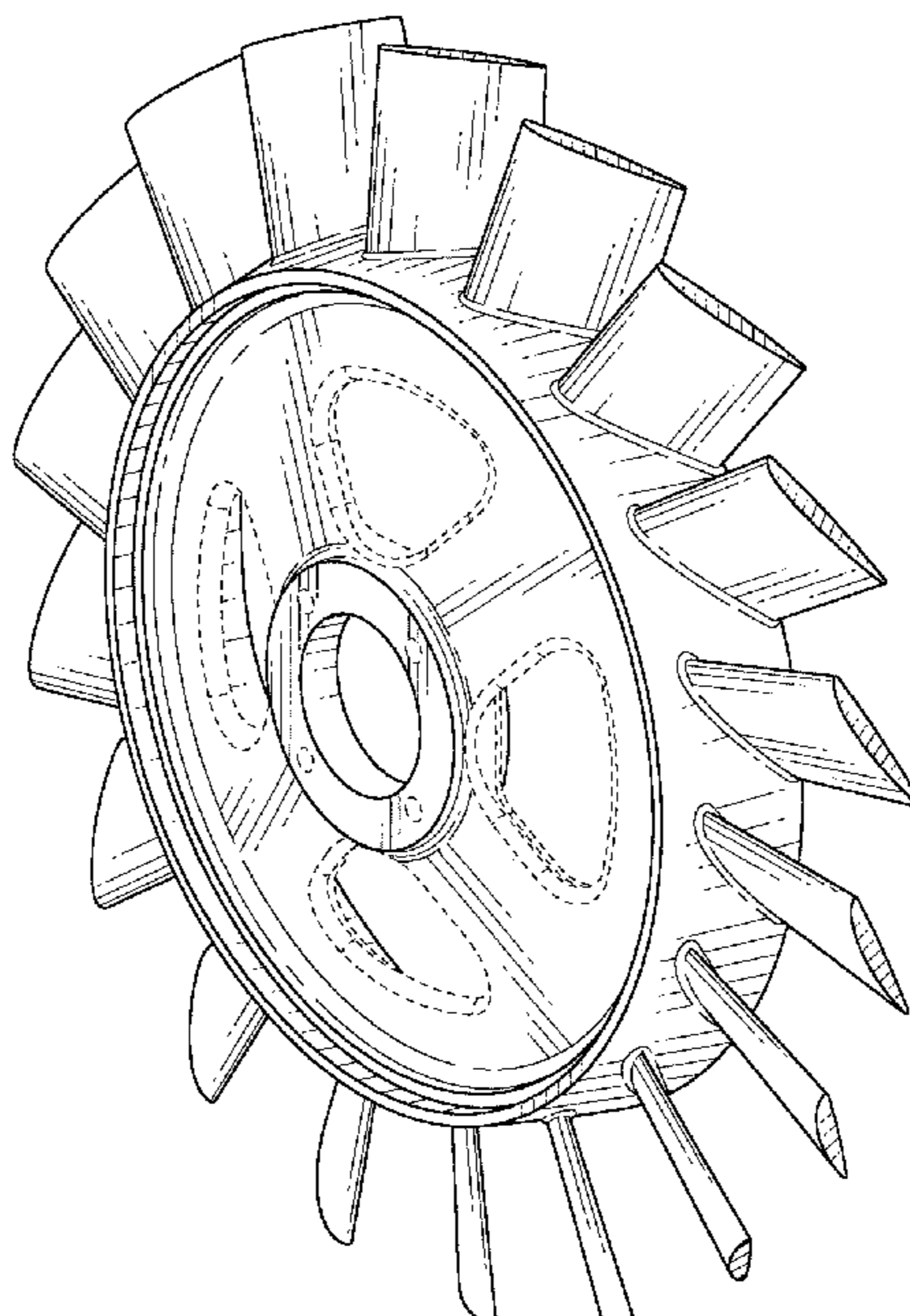
**DESCRIPTION**

FIG. 1 is a perspective view of a blower assembly depicting our new design;  
FIG. 2 is a front view thereof;  
FIG. 3 is a rear view thereof;  
FIG. 4 is a side view thereof; and,  
FIG. 5 is an opposite perspective view thereof.  
The broken line portion of the figures is included to show unclaimed subject matter only and forms no part of the claimed design.

(56) **References Cited**  
U.S. PATENT DOCUMENTS

D507,343 S \* 7/2005 Chiu ..... D23/379  
D513,530 S \* 1/2006 Chen ..... D23/379

**1 Claim, 3 Drawing Sheets**



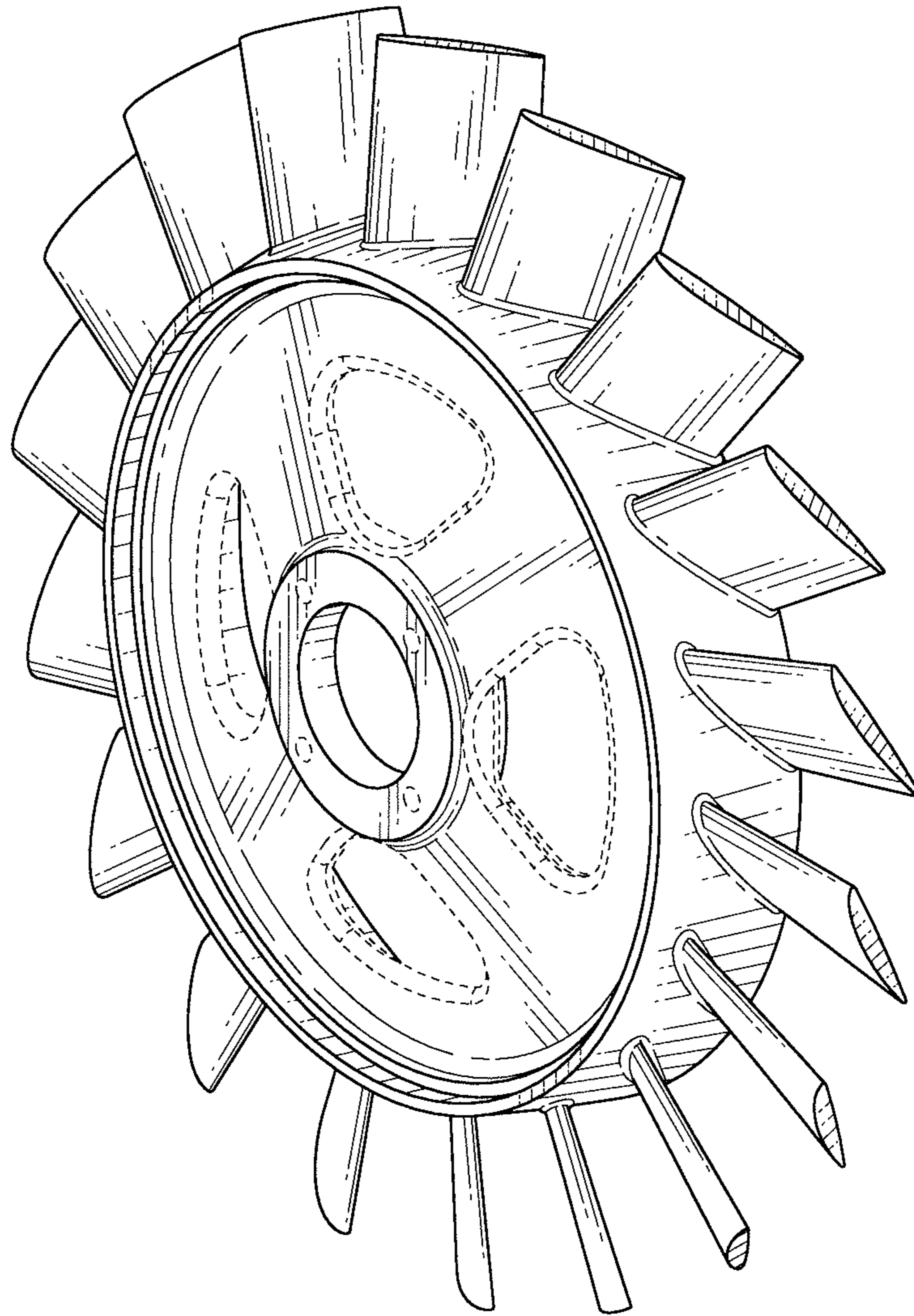


FIG. 1

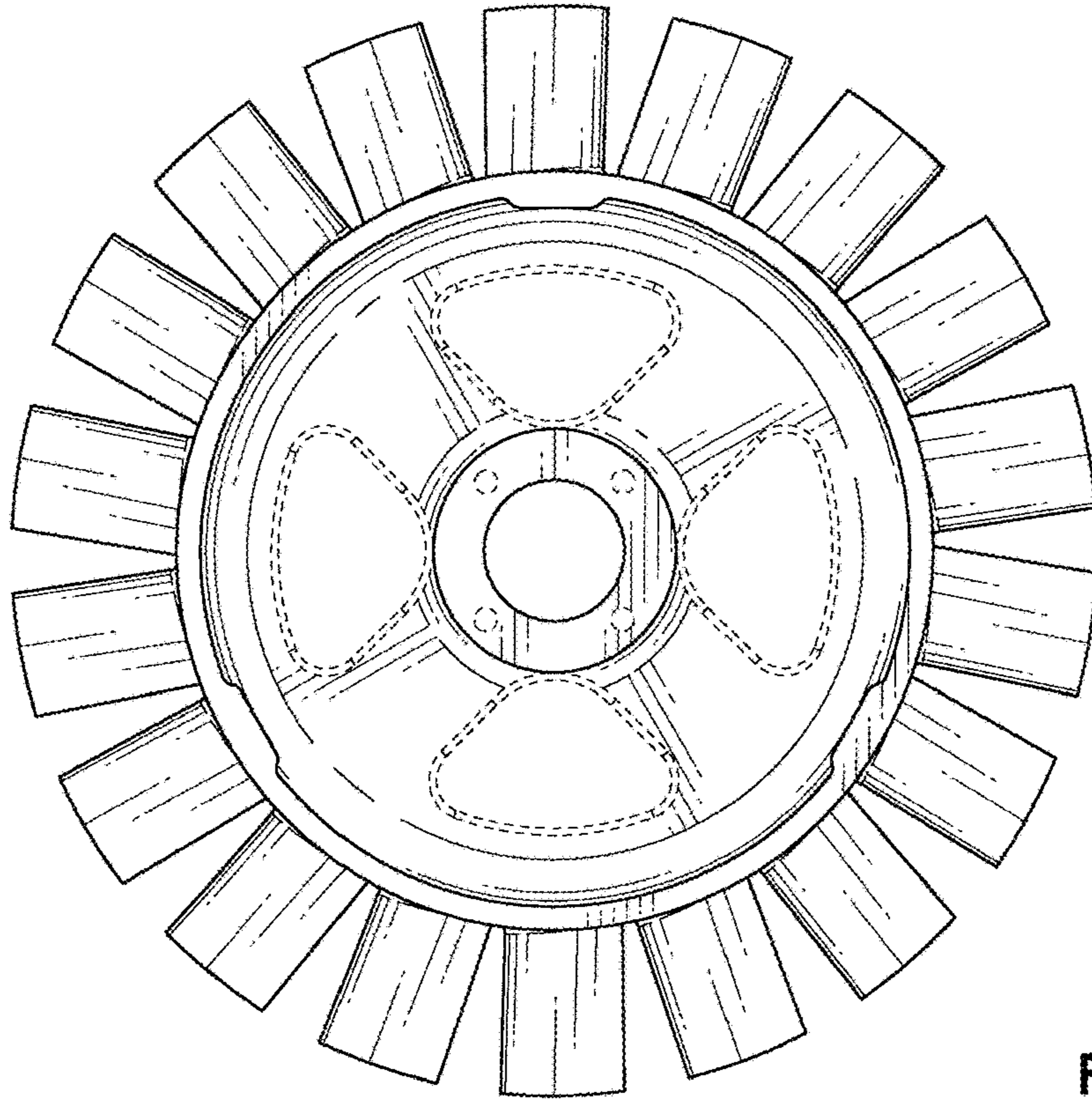


FIG. 2

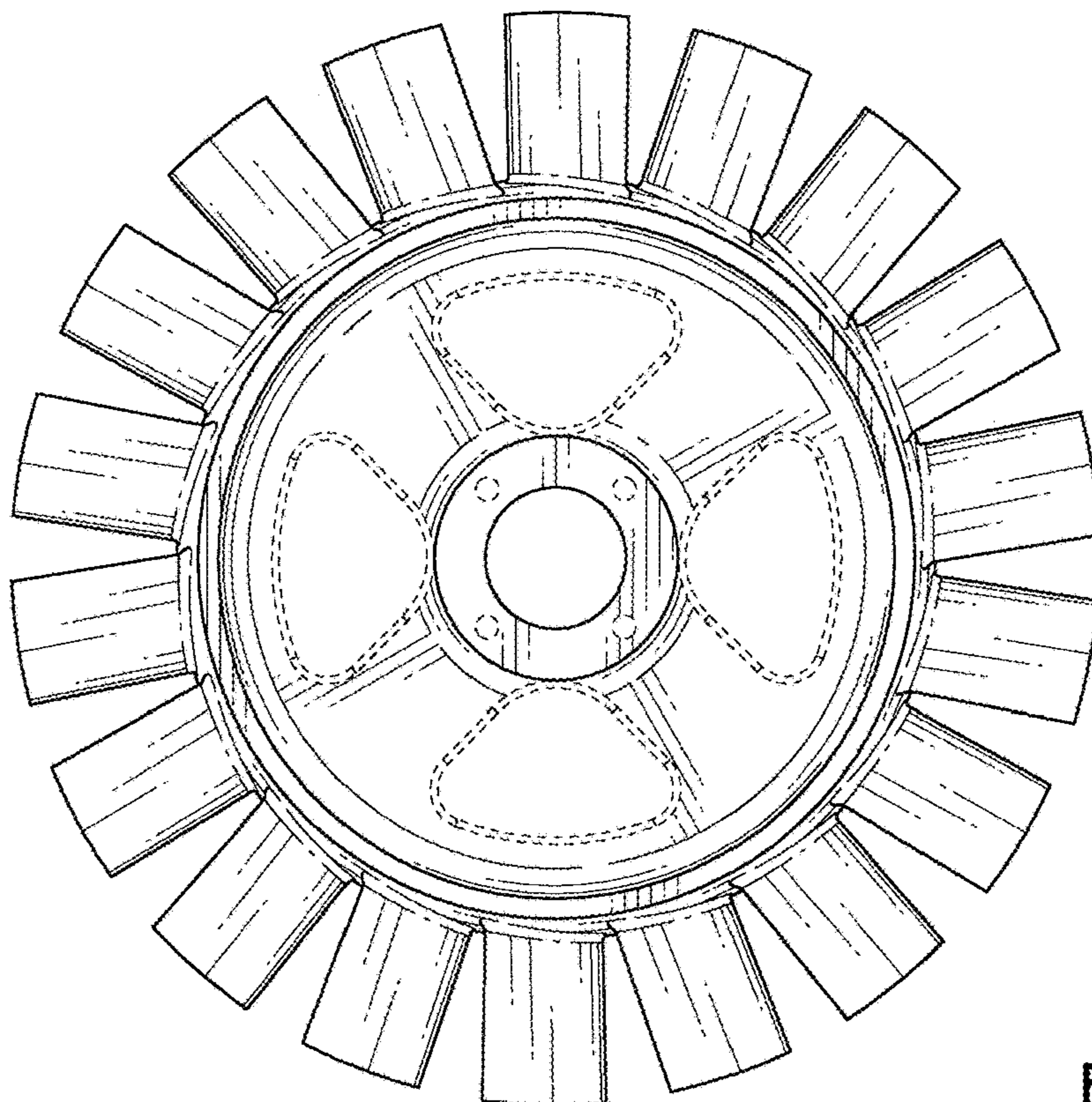


FIG. 3

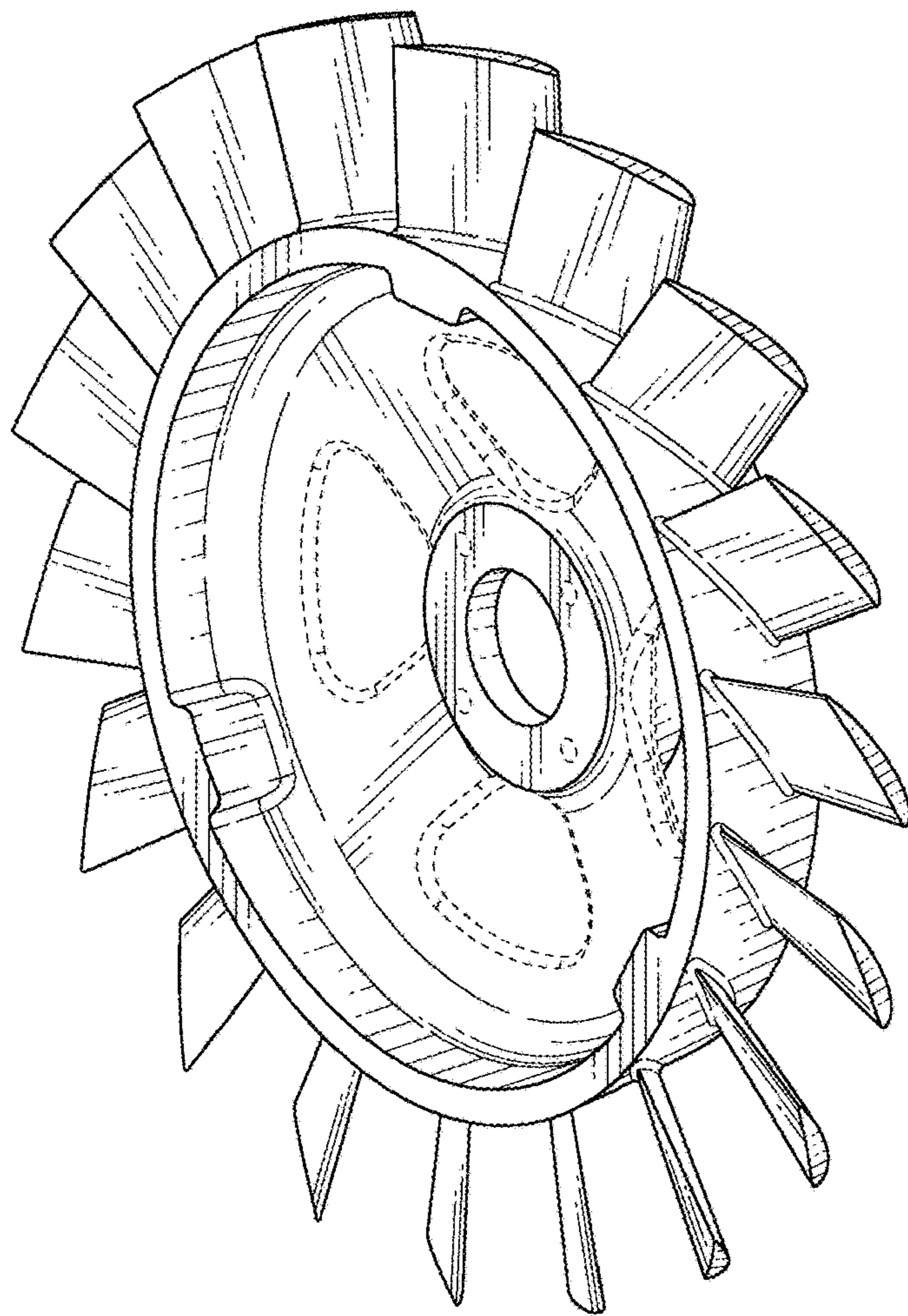


FIG. 5

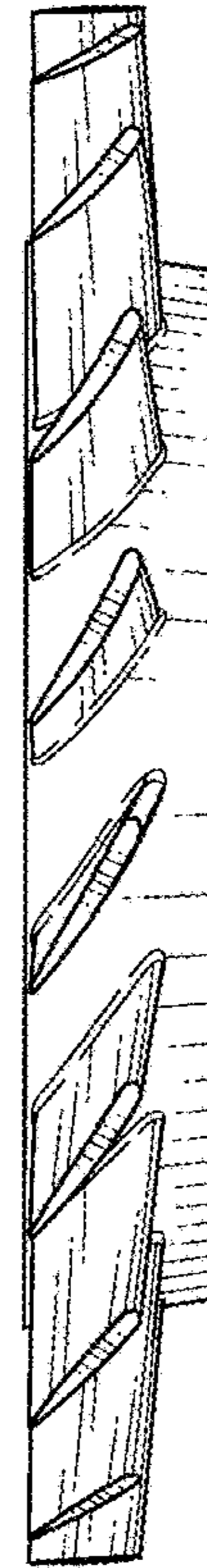


FIG. 4