



US00D849796S

(12) **United States Design Patent**
Ichikawa et al.

(10) **Patent No.:** **US D849,796 S**
(45) **Date of Patent:** **** May 28, 2019**

(54) **GENERAL PURPOSE ENGINE**
(71) Applicant: **Kubota Corporation**, Osaka-shi (JP)
(72) Inventors: **Takayuki Ichikawa**, Sakai (JP); **Satoshi Sugimoto**, Sakai (JP); **Takahito Uemura**, Sakai (JP); **Satoshi Watanabe**, Sakai (JP)
(73) Assignee: **Kubota Corporation**, Osaka (JP)
(**) Term: **15 Years**
(21) Appl. No.: **29/615,637**
(22) Filed: **Aug. 30, 2017**

(30) **Foreign Application Priority Data**
Mar. 2, 2017 (JP) 2017-004233
(51) **LOC (11) Cl.** **15-01**
(52) **U.S. Cl.**
USPC **D15/3**
(58) **Field of Classification Search**
USPC D15/1-6, 149
CPC F02B 75/007; F02B 61/02; F02B 75/005;
F02B 2075/022; F02B 75/16; F02B
2075/1808; F02B 75/34; F02B 77/02;
F02B 2700/03; F02B 2710/03; F02B
2730/011; F02B 63/02; F02B 2075/027;
F02B 2075/1816; F02B 2075/1824; F02B
2063/045; F01M 13/022; F01M
2013/0461; F01M 13/04; F02F 7/0068;
Y10S 55/14; F02M 35/0201
See application file for complete search history.

(56) **References Cited**
U.S. PATENT DOCUMENTS
D224,169 S * 7/1972 Rudd D15/1
D482,045 S * 11/2003 Iwata D15/1

D489,076 S * 4/2004 Hiraiwa D15/1
D494,191 S 8/2004 Aketa et al.
D499,741 S 12/2004 Aketa et al.
D529,513 S 10/2006 Aketa et al.
D619,149 S 7/2010 Aketa et al.
D649,978 S 12/2011 Aketa et al.
D665,425 S * 8/2012 Genter D15/3
D685,819 S 7/2013 Hataura et al.
D685,820 S 7/2013 Okuda et al.
D704,740 S * 5/2014 Bellinger D15/1
D710,899 S * 8/2014 Kuehner D15/1
D719,977 S 12/2014 Aketa et al.
D721,097 S 1/2015 Kosaka et al.
D733,763 S * 7/2015 Nuta D15/1
D735,757 S * 8/2015 Nuta D15/1
D777,791 S * 1/2017 Okuyama D15/1
D797,151 S * 9/2017 Bonanni D15/3

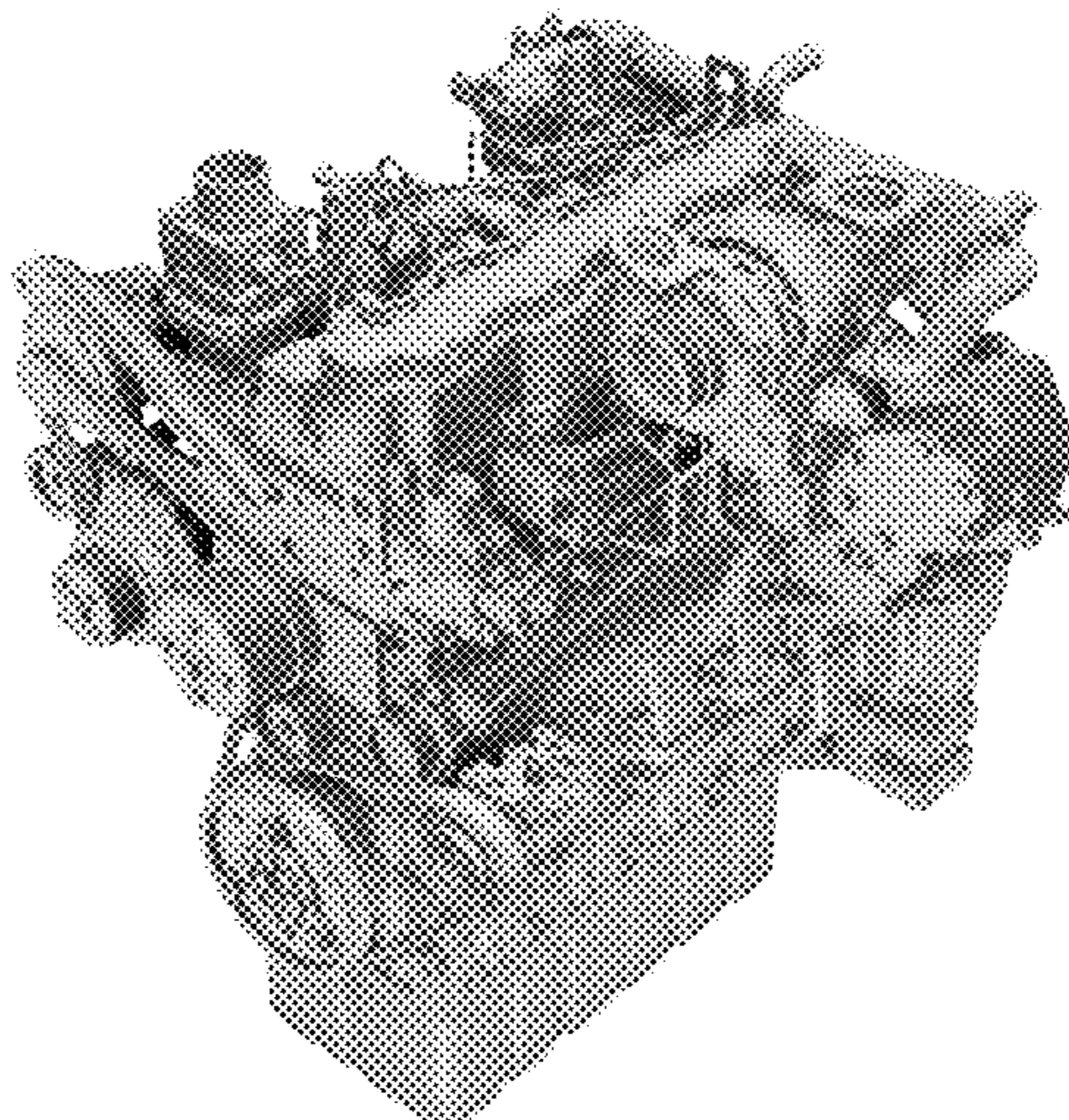
(Continued)

Primary Examiner — T Chase Nelson
Assistant Examiner — Ania Aman
(74) *Attorney, Agent, or Firm* — The Webb Law Firm

(57) **CLAIM**
The ornamental design for a general purpose engine, as shown and described.

DESCRIPTION
FIG. 1 is a front elevation view of a general purpose engine showing our new design;
FIG. 2 is a rear elevation view thereof;
FIG. 3 is a left side elevation view thereof;
FIG. 4 is a right side elevation view thereof;
FIG. 5 is a top view thereof;
FIG. 6 is a bottom view thereof;
FIG. 7 is an upper left rear perspective view thereof;
FIG. 8 is an upper left front perspective view thereof;
FIG. 9 is an upper right front perspective view thereof; and,
FIG. 10 is an upper right rear perspective view thereof.
The portions of the general purpose engine shown in broken lines form no part of the claimed design.

1 Claim, 10 Drawing Sheets



(56)

References Cited

U.S. PATENT DOCUMENTS

9,951,684	B2 *	4/2018	Inoue	F02B 43/10
2009/0107450	A1 *	4/2009	Olsen	F02B 77/00
				123/195 C
2011/0180344	A1 *	7/2011	Kimura	B60K 13/04
				180/309
2016/0115860	A1 *	4/2016	Inoue	F02B 43/10
				60/323
2016/0281600	A1 *	9/2016	Nakanishi	F02B 77/02
2017/0234177	A1 *	8/2017	Clark	F01M 11/0004
				123/195 A

* cited by examiner

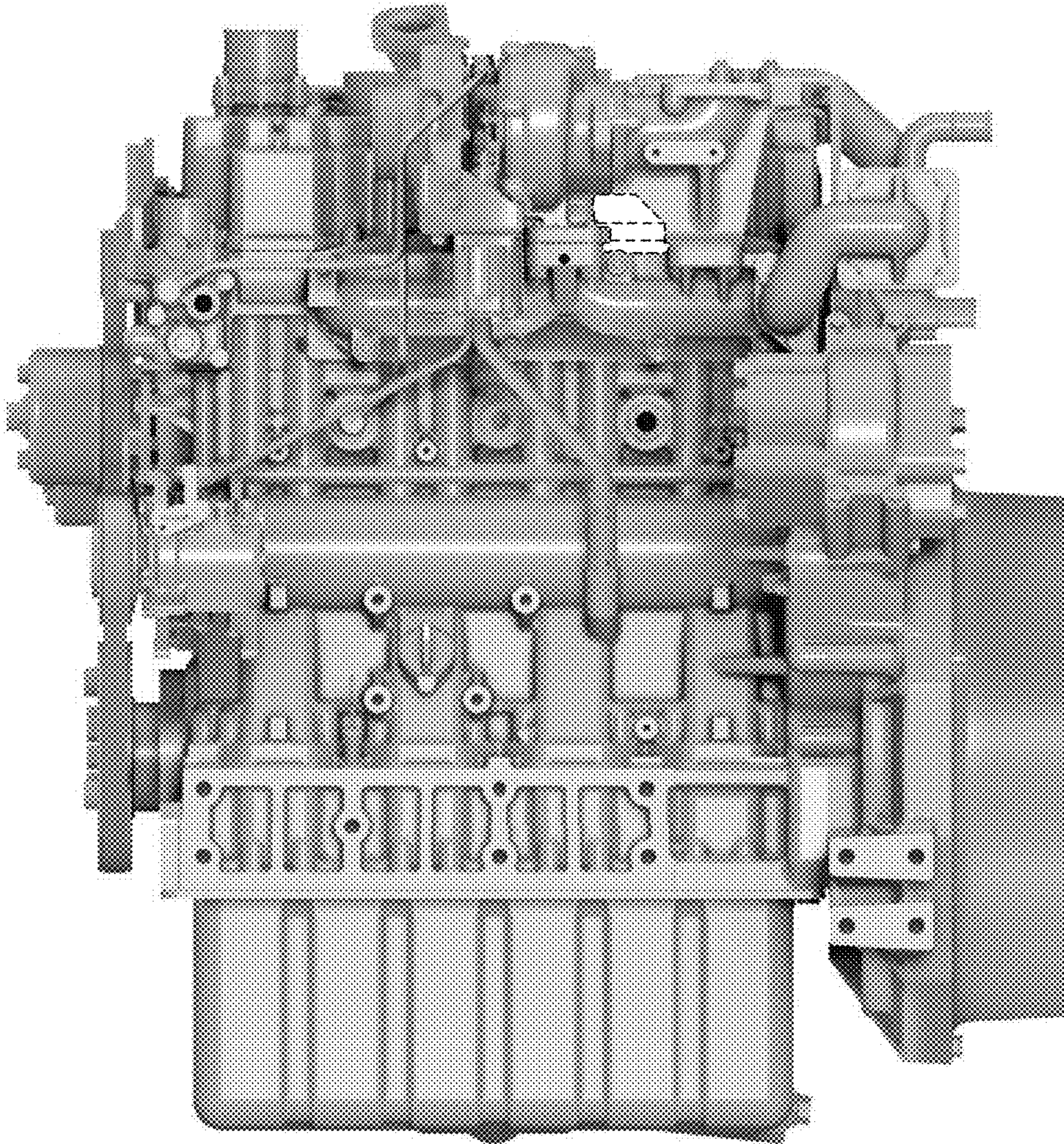


FIG. 1

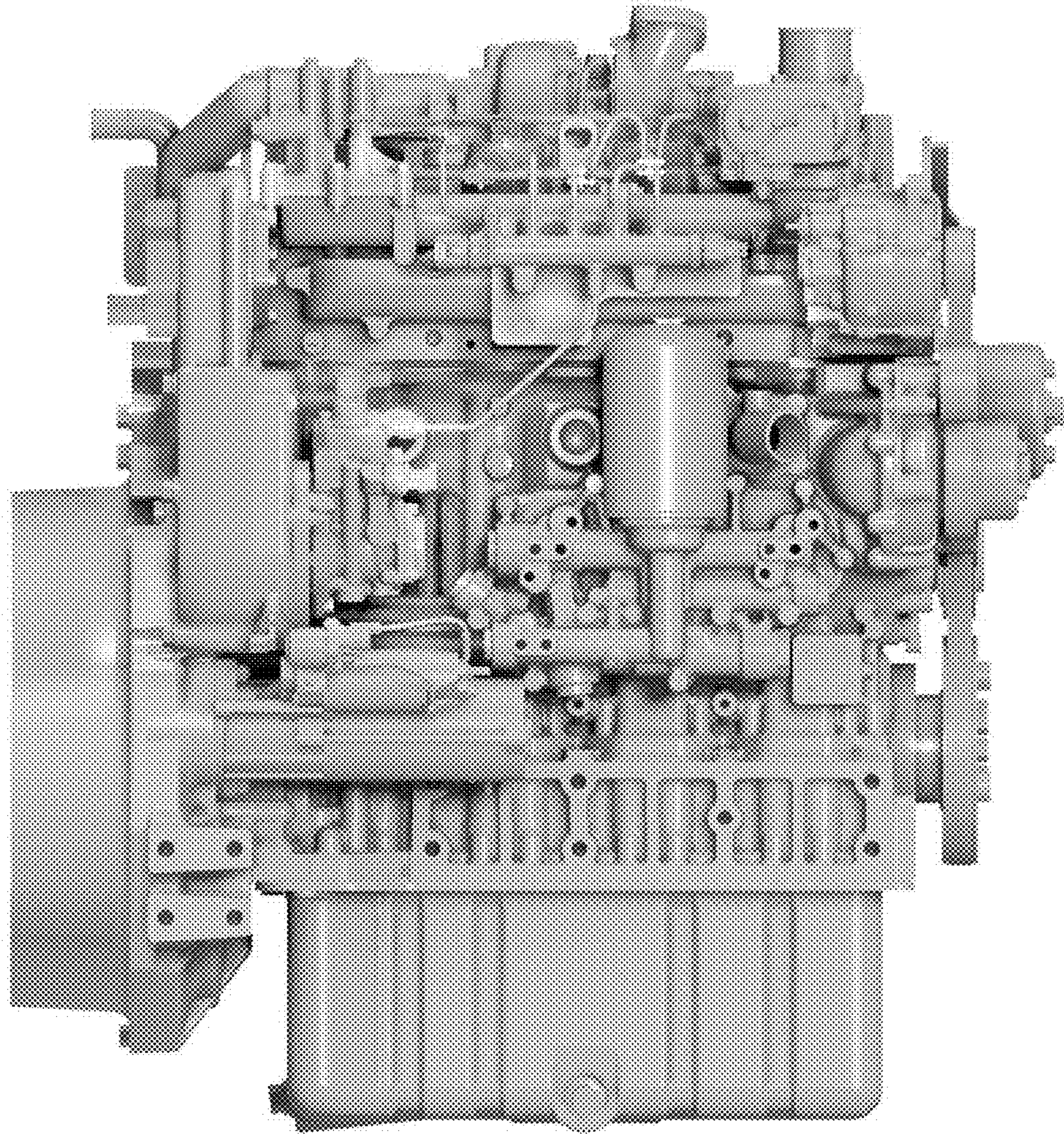


FIG. 2

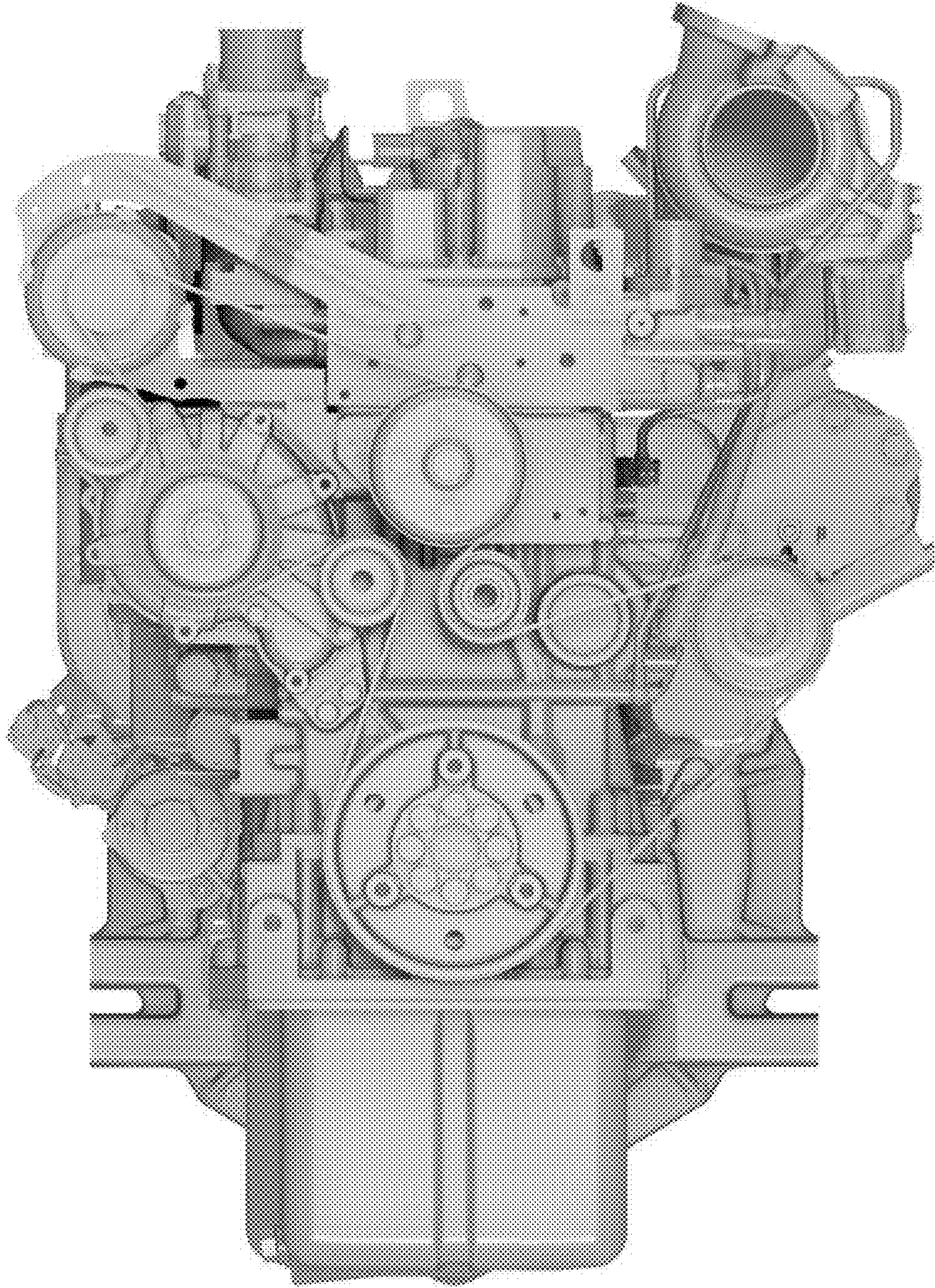


FIG. 3

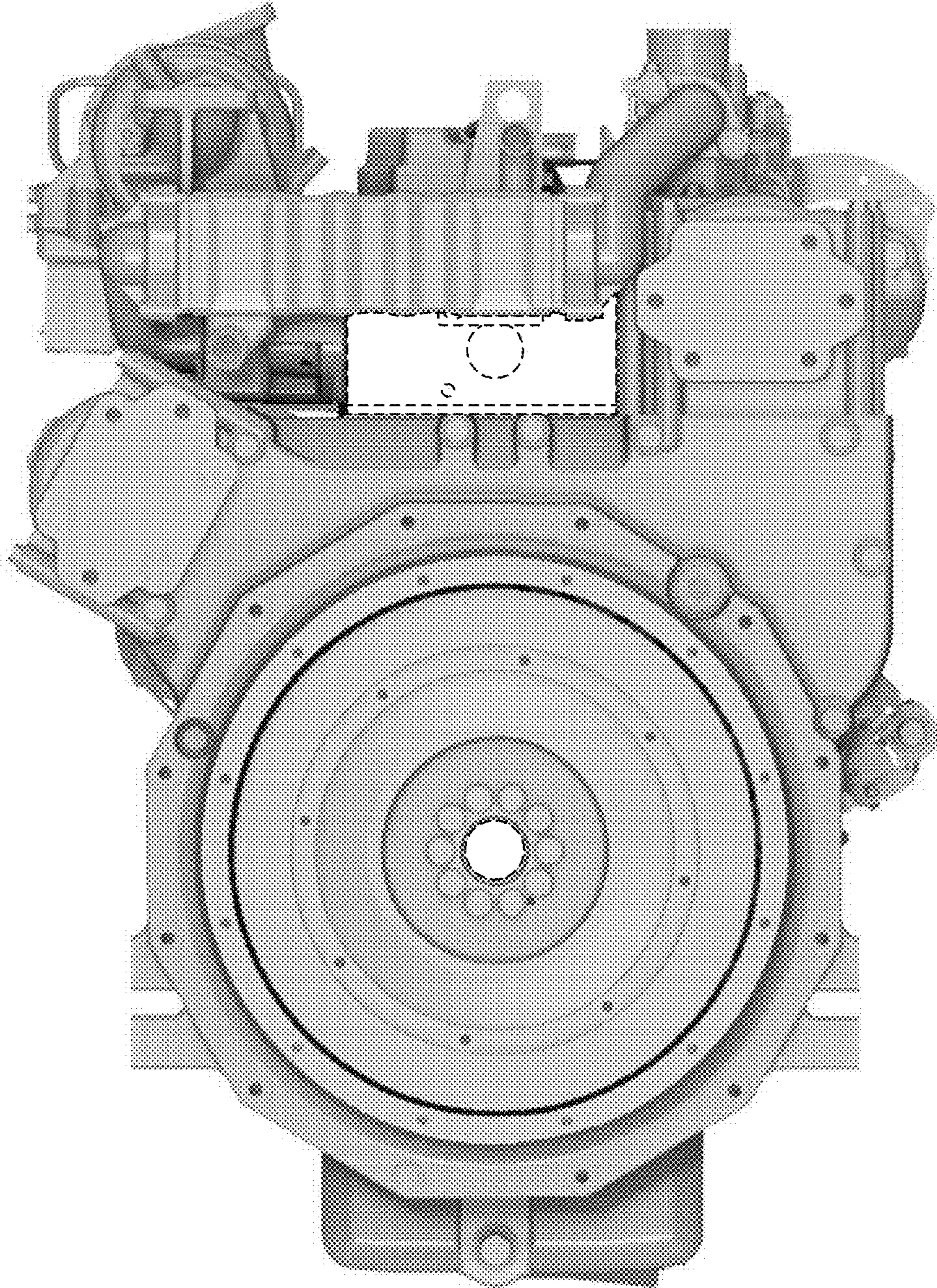


FIG. 4

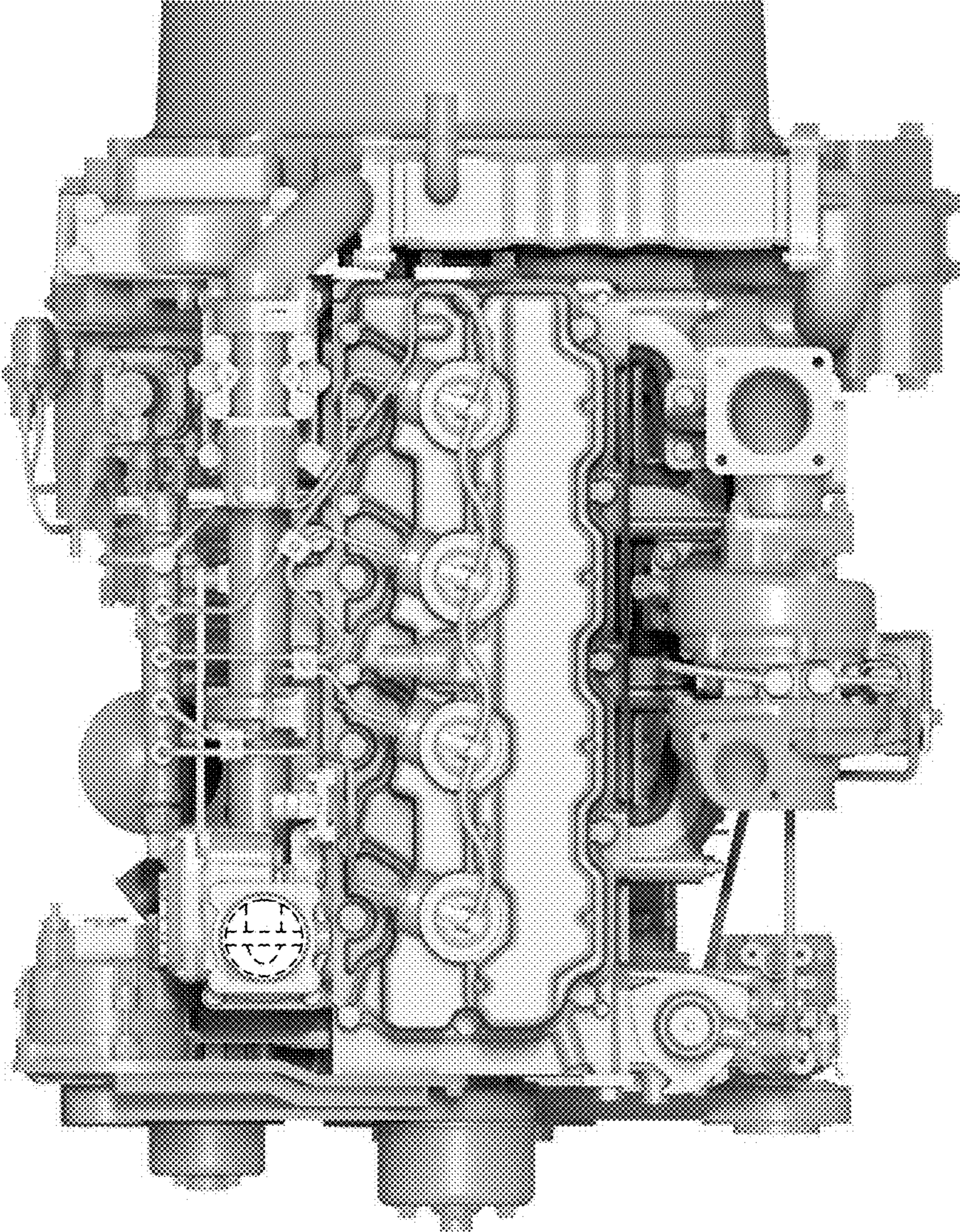


FIG. 5

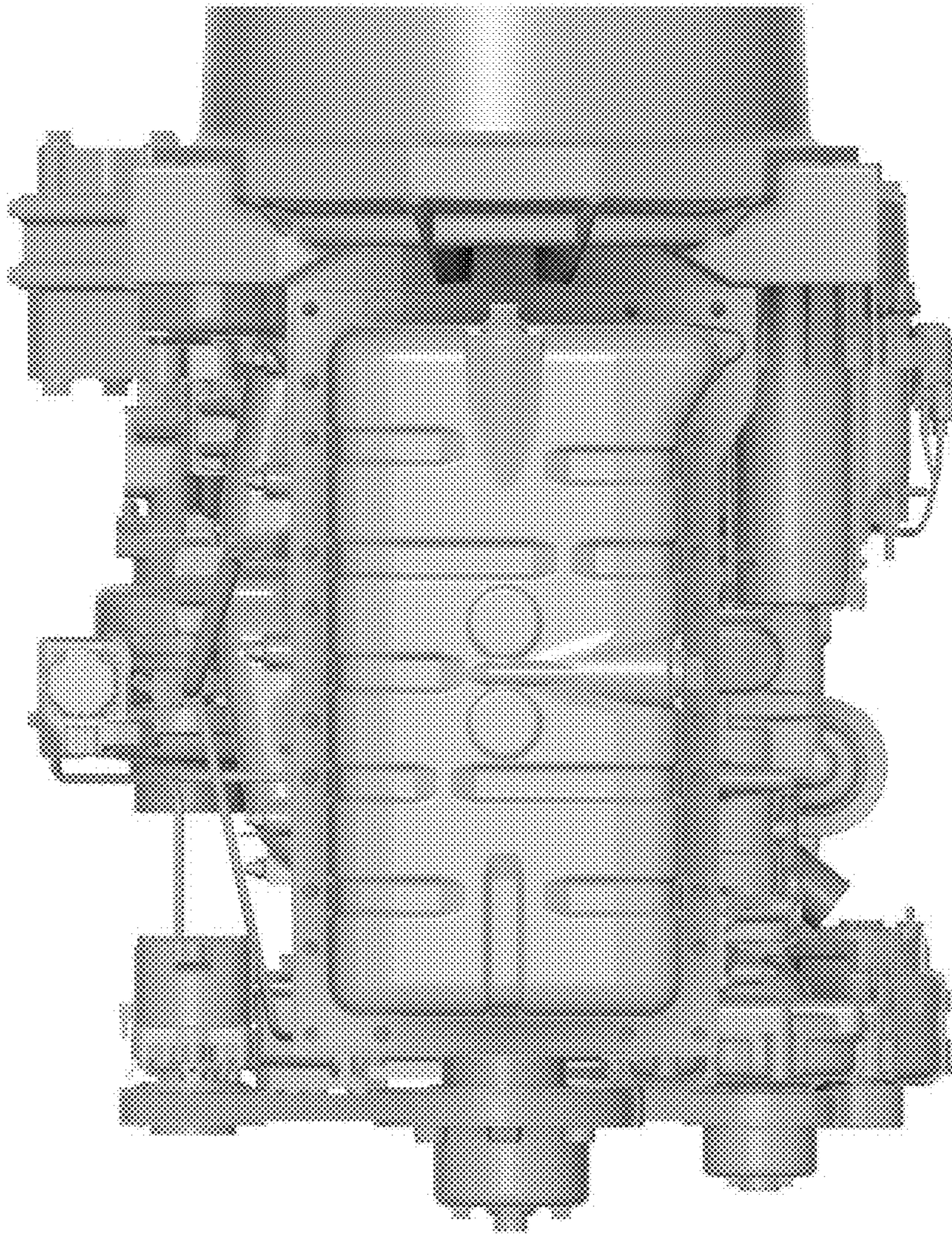


FIG. 6

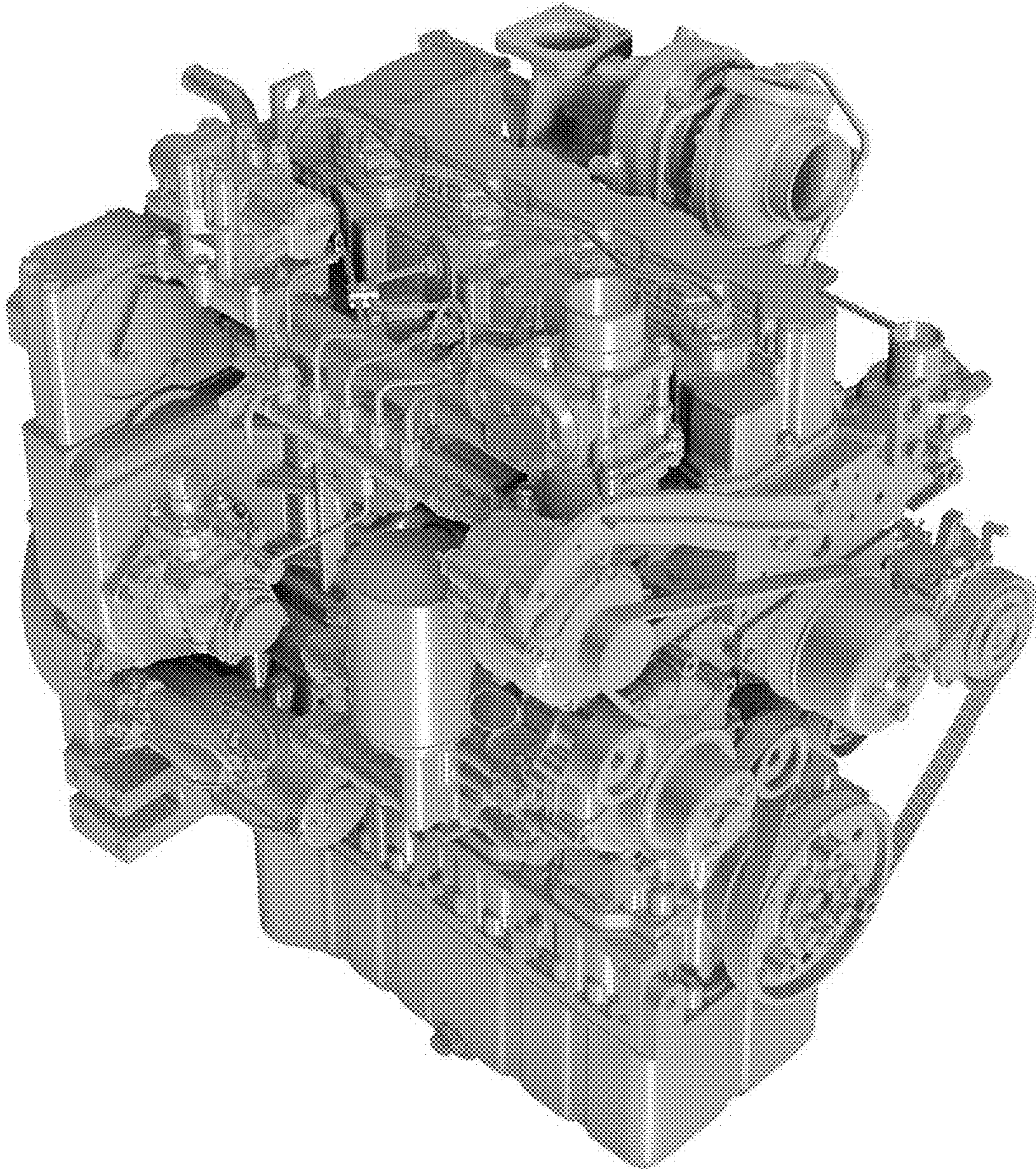


FIG. 7

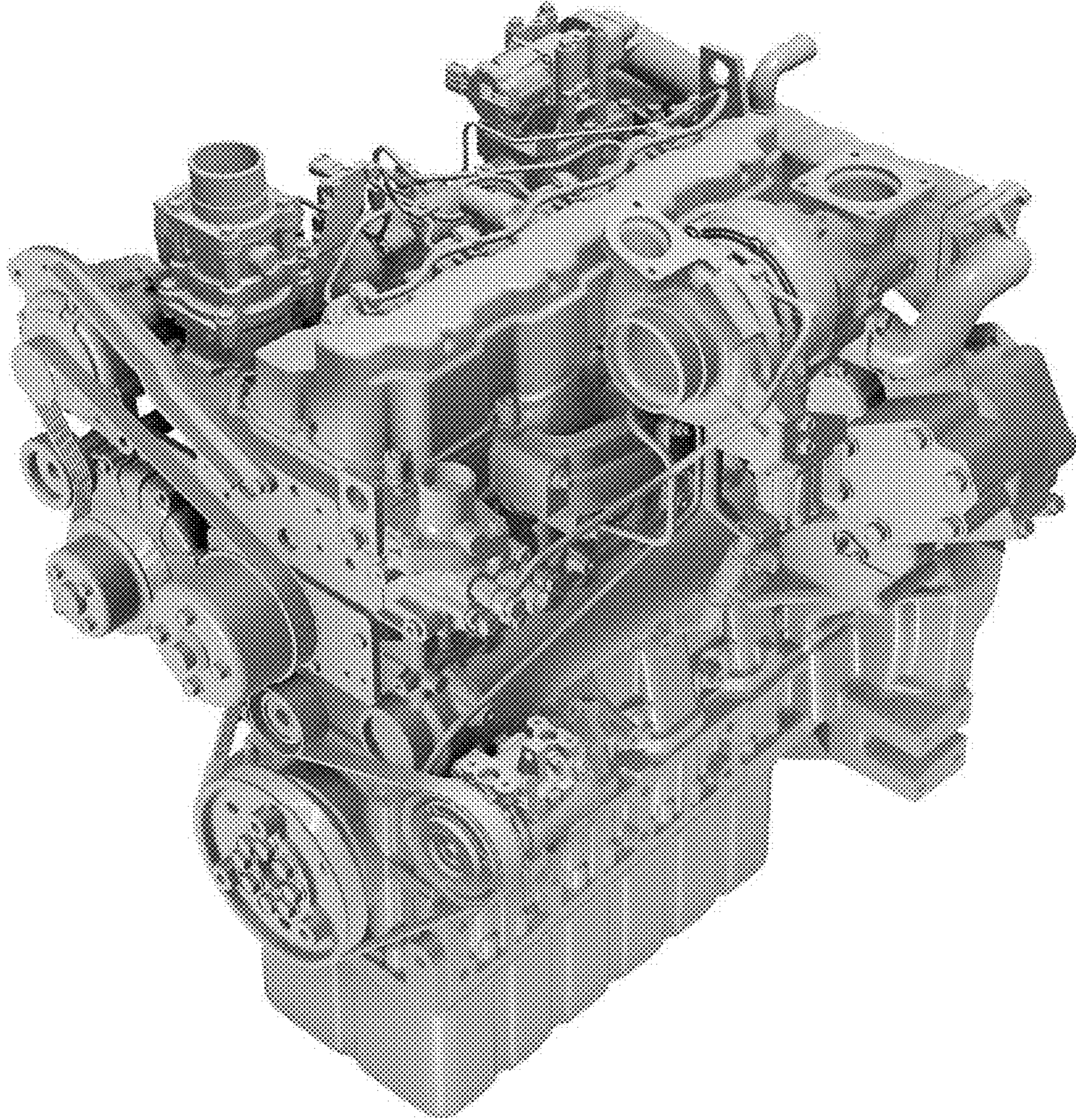


FIG. 8

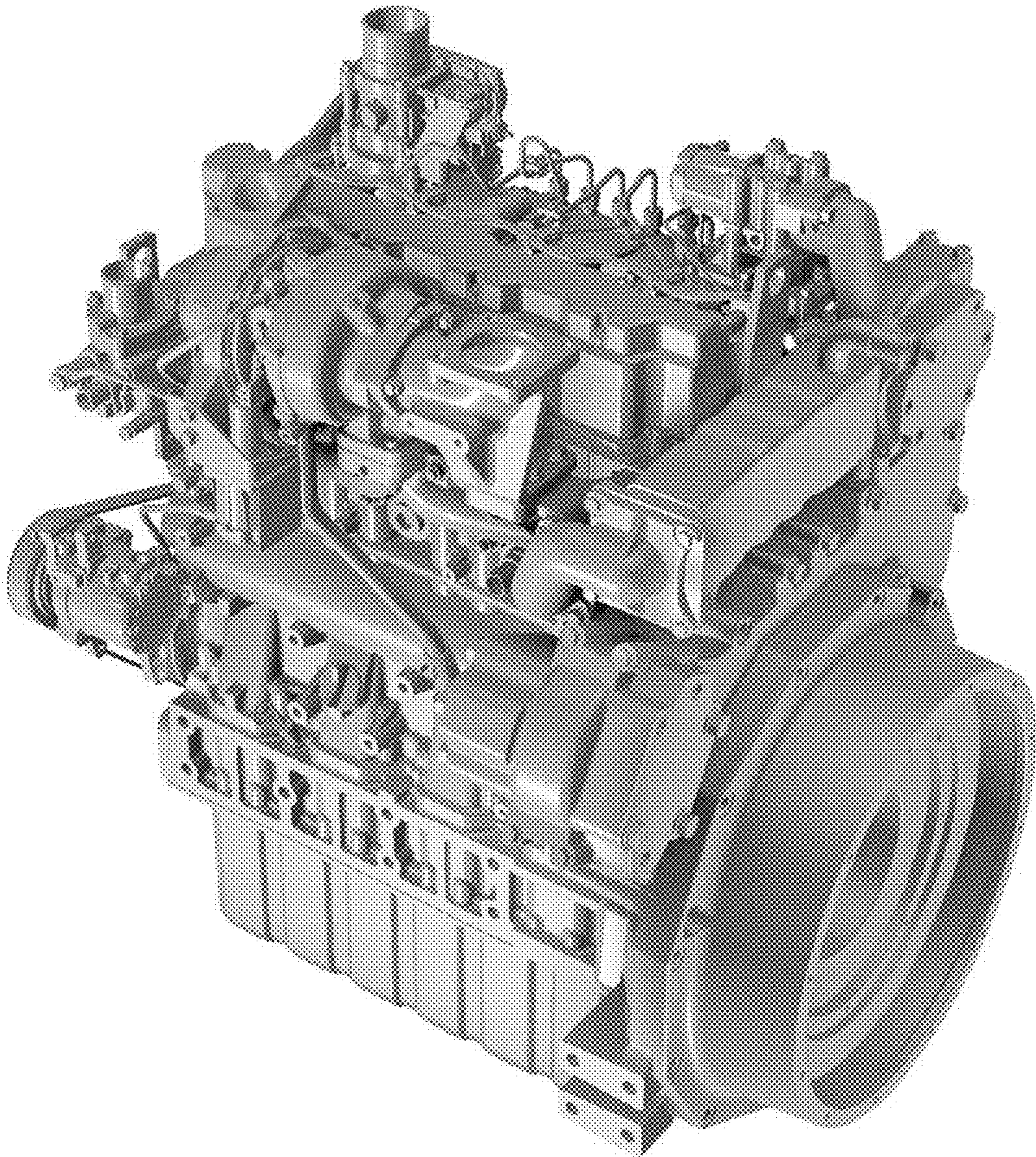


FIG. 9

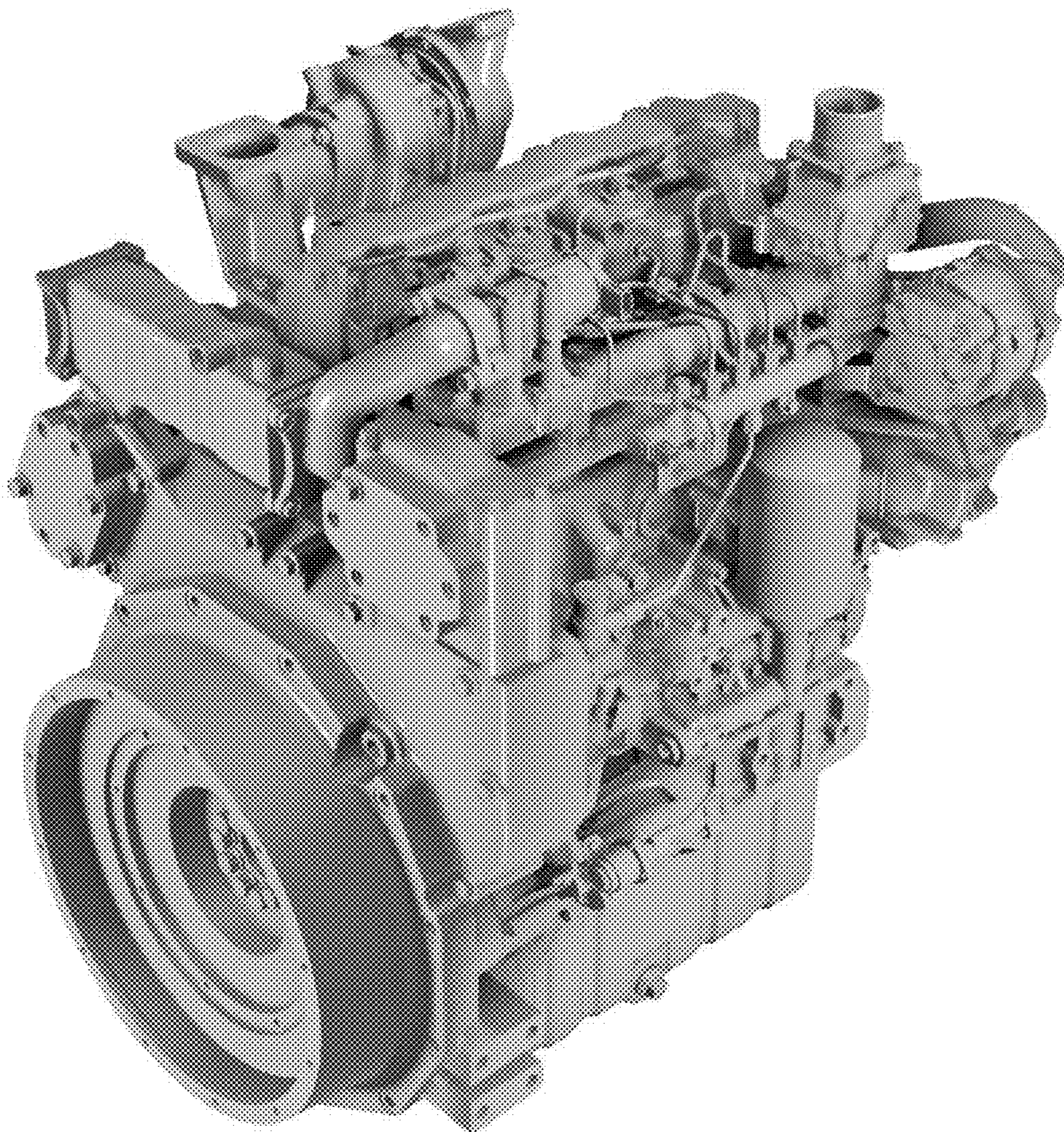


FIG. 10