



US00D849795S

(12) **United States Design Patent**
Taniguchi et al.

(10) **Patent No.:** **US D849,795 S**

(45) **Date of Patent:** **** May 28, 2019**

(54) **ENGINE**

(71) Applicant: **Hitachi Koki Co., Ltd.**, Minato-Ku,
Tokyo (JP)

(72) Inventors: **Takeshi Taniguchi**, Hitachinaka (JP);
Shinichi Kakefuda, Hitachinaka (JP);
Youhei Kinugawa, Hitachinaka (JP);
Keisuke Ikeda, Hitachinaka (JP);
Hisashi Irokawa, Hitachinaka (JP)

(73) Assignee: **Hitachi Koki Co., Ltd.**, Minato-Ku,
Tokyo (JP)

(**) Term: **15 Years**

(21) Appl. No.: **29/555,290**

(22) Filed: **Feb. 19, 2016**

(30) **Foreign Application Priority Data**

Aug. 21, 2015 (JP) 2015-018412

(51) **LOC (11) Cl.** **15-01**

(52) **U.S. Cl.**
USPC **D15/1**

(58) **Field of Classification Search**
USPC D15/1, 2, 5, 6, 7, 9, 9.1; D13/112, 113,
D13/114, 122; D23/213, 383
CPC F01P 1/02; F01P 1/06; F01P 5/02; F01P
2001/23; F02B 63/06; F02B 75/16; F02B
75/18; F02B 2075/022; F02B 2075/025;
A47L 5/14

See application file for complete search history.

(56) **References Cited**

U.S. PATENT DOCUMENTS

D353,382 S *	12/1994	Kiyooka	D15/1
D361,336 S *	8/1995	Tinius	D15/1
5,716,131 A *	2/1998	Breeding	B01F 11/04 224/265
D416,265 S *	11/1999	Kato	D15/1
D622,215 S *	8/2010	Heimbruch	D13/112
D623,197 S *	9/2010	Hotta	D15/1
D644,664 S *	9/2011	Sugiyama	D15/1
D704,741 S *	5/2014	Tinius	D15/1

* cited by examiner

Primary Examiner — Derrick E Holland

(74) *Attorney, Agent, or Firm* — Banner & Witcoff, Ltd.

(57) **CLAIM**

The ornamental design for an engine, as shown and described.

DESCRIPTION

FIG. 1 is a front, left, upper perspective view of an engine showing our new design;

FIG. 2 is a rear, right, lower perspective view thereof;

FIG. 3 is a front view thereof

FIG. 4 is a rear side view thereof;

FIG. 5 is a left side view thereof;

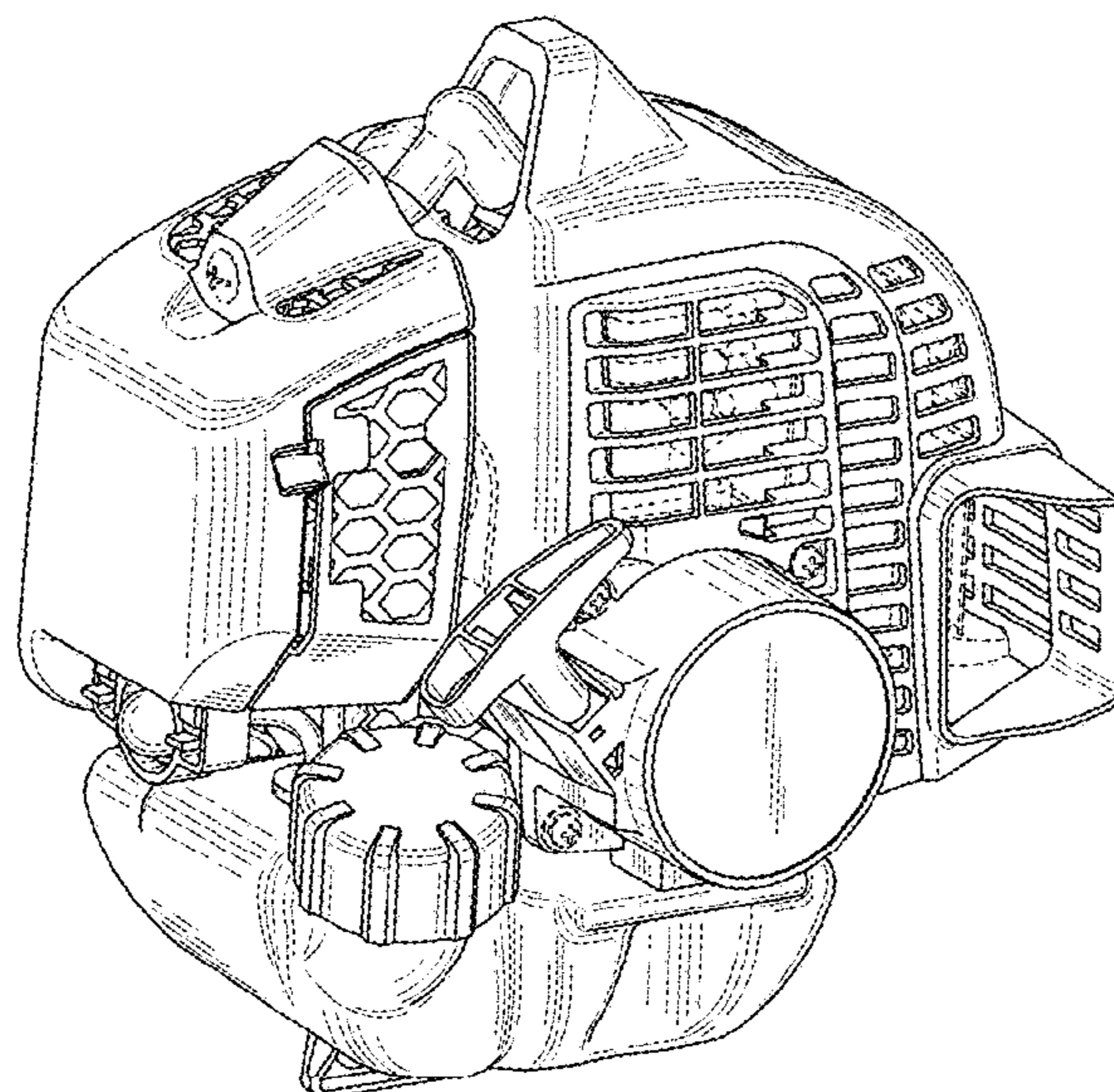
FIG. 6 is a right side view thereof;

FIG. 7 is a top plan view thereof; and,

FIG. 8 is a bottom side view thereof.

The broken lines shown in the drawings illustrate portions of the engine that form no part of the claimed design.

1 Claim, 4 Drawing Sheets



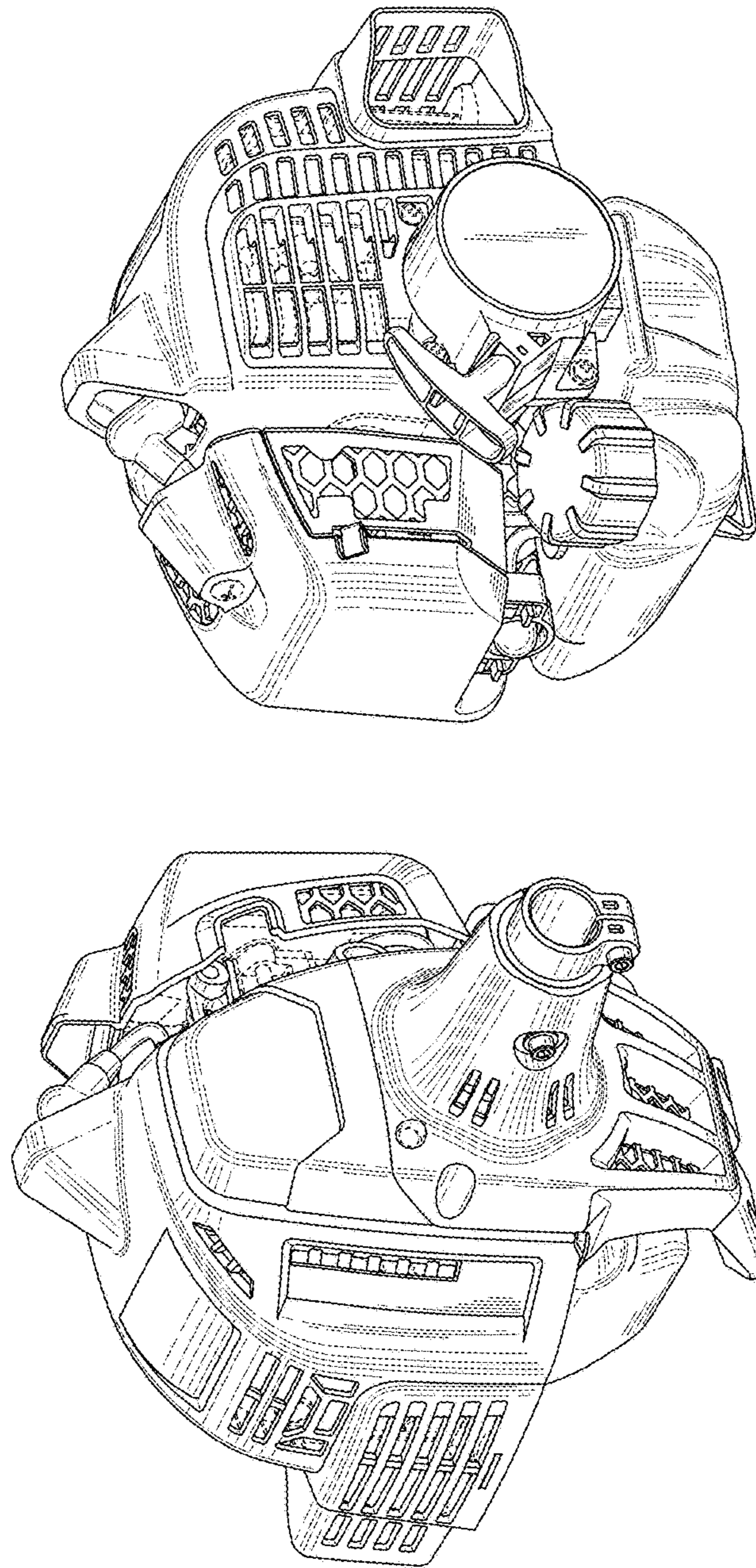


FIG. 2

FIG. 1

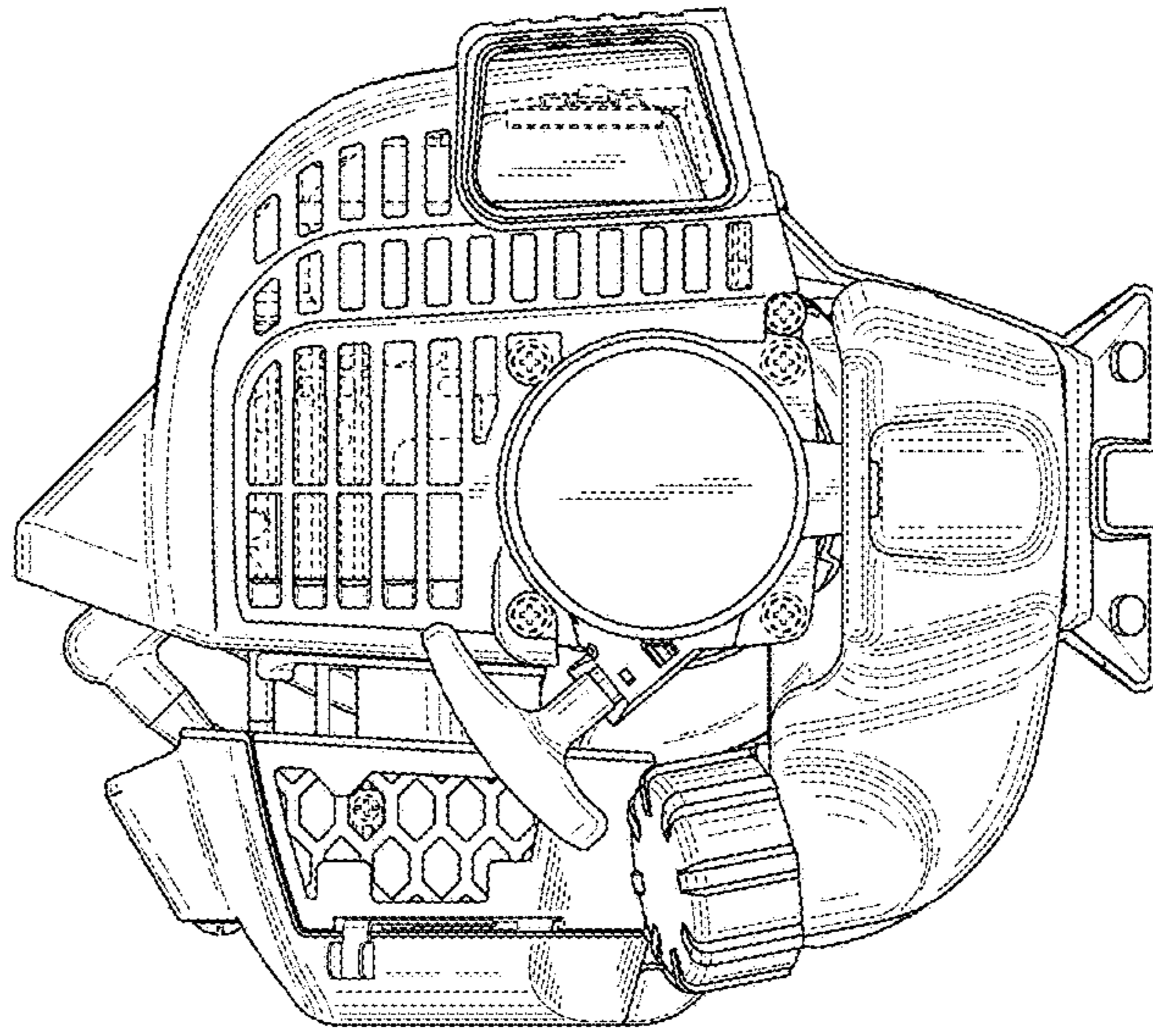


FIG. 4

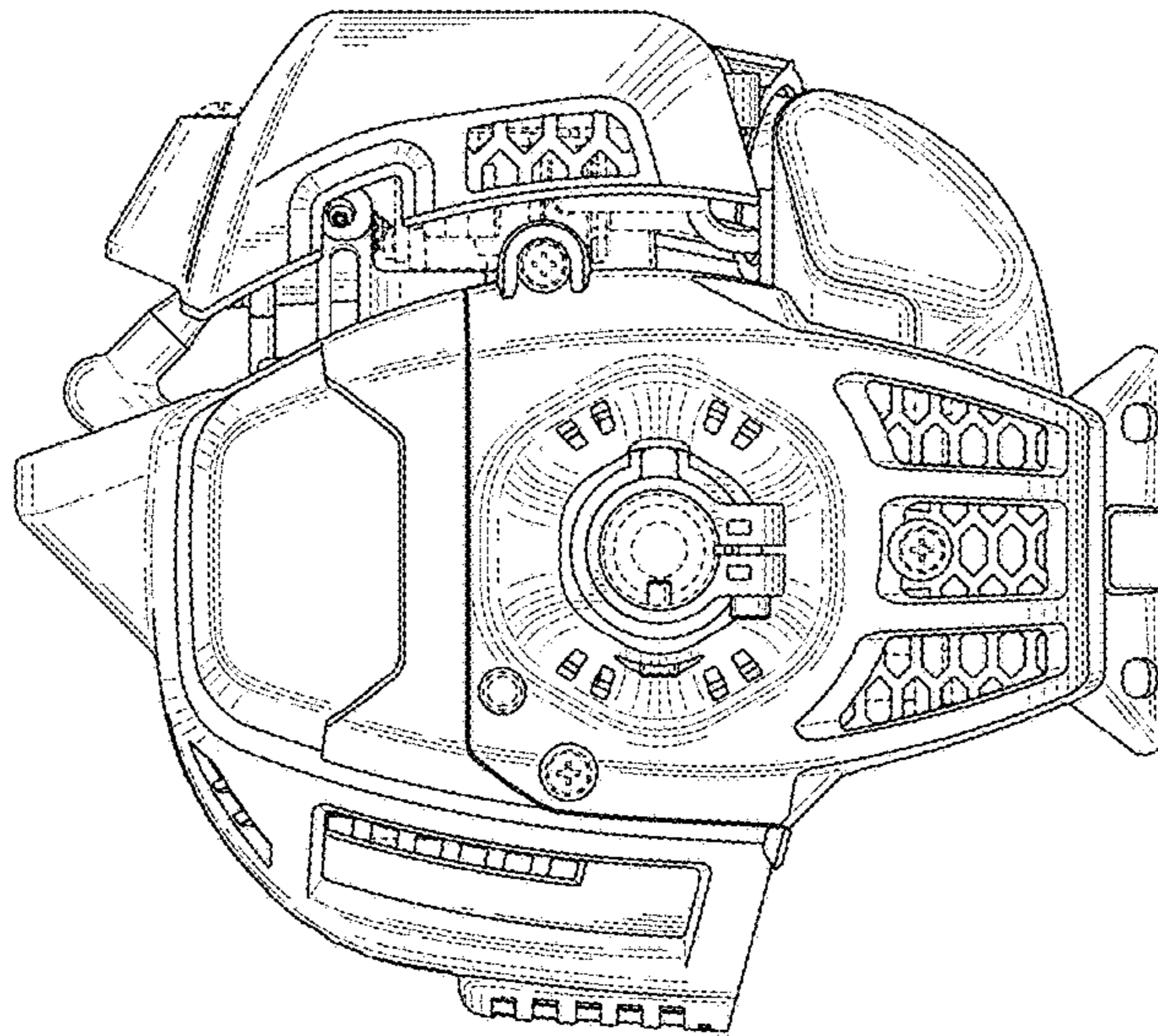


FIG. 3

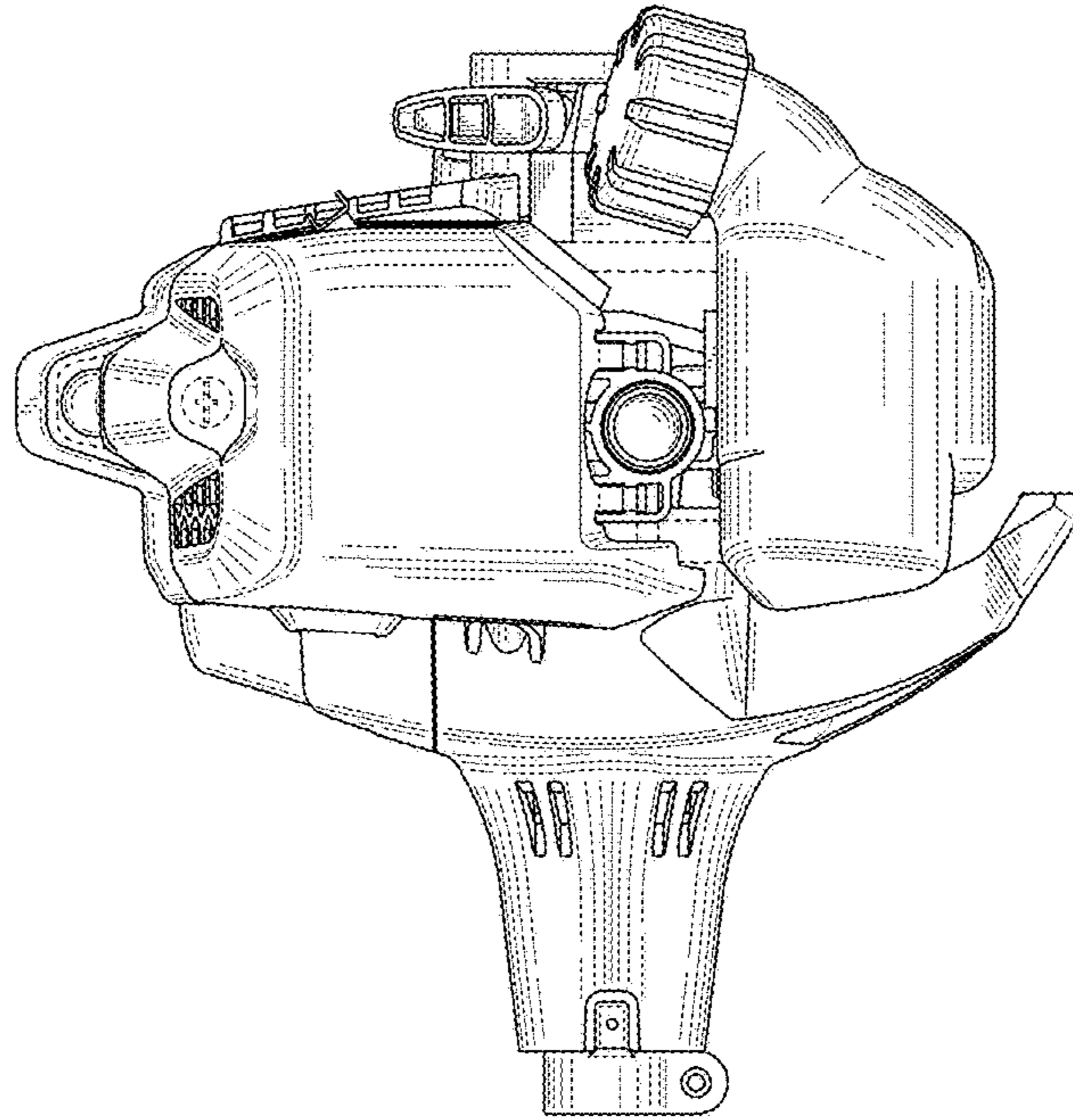


FIG. 6

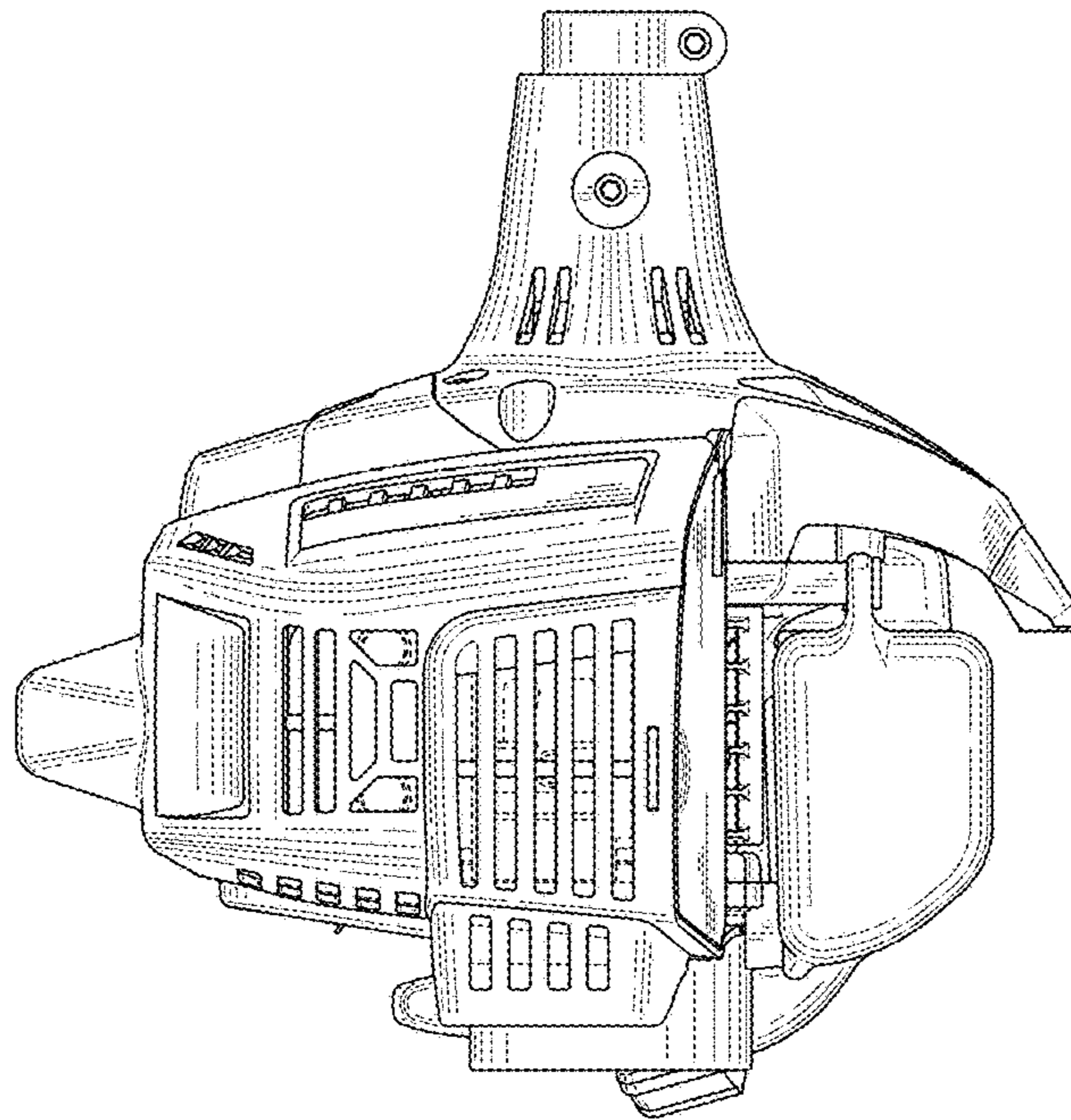


FIG. 5

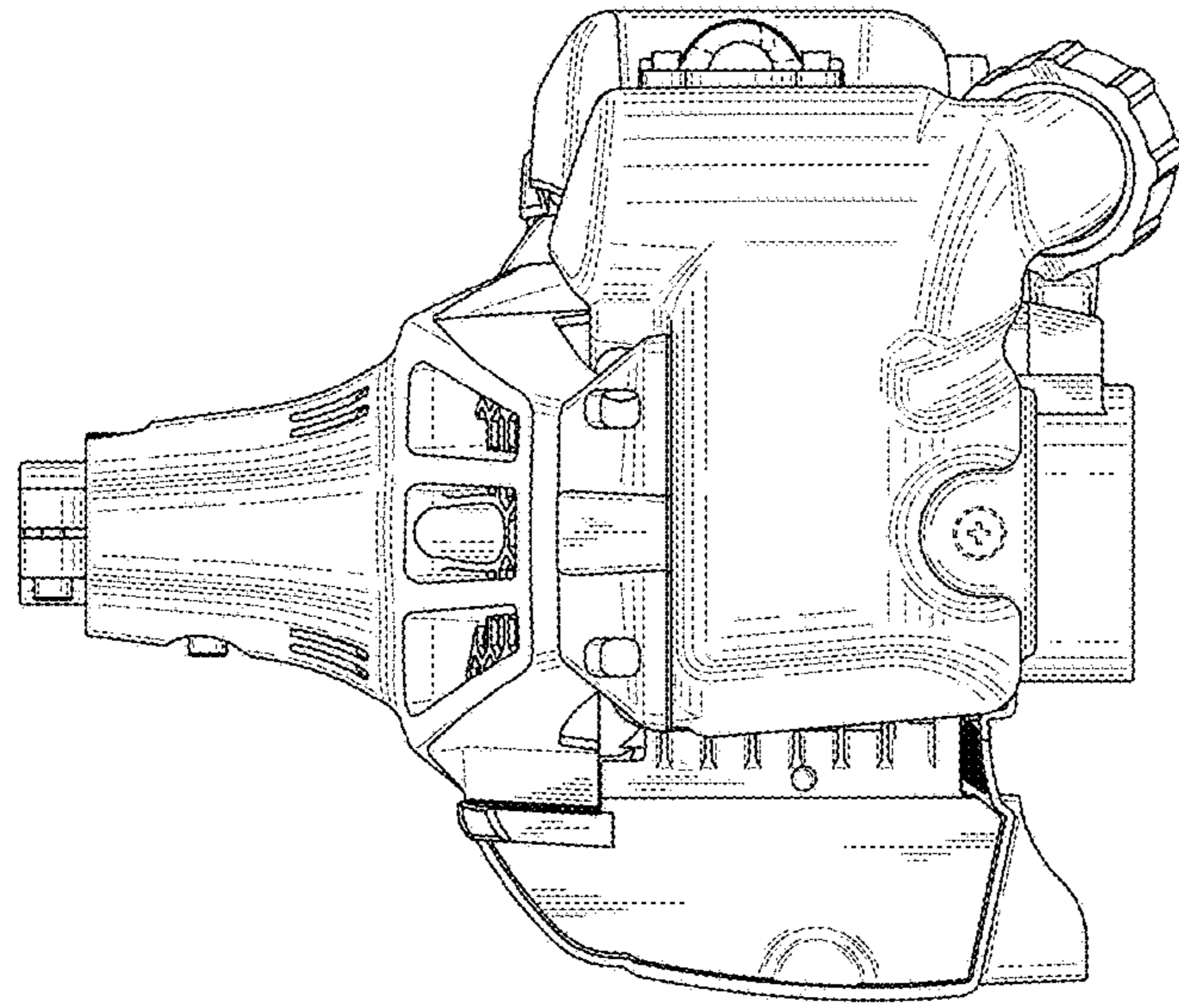


FIG. 8

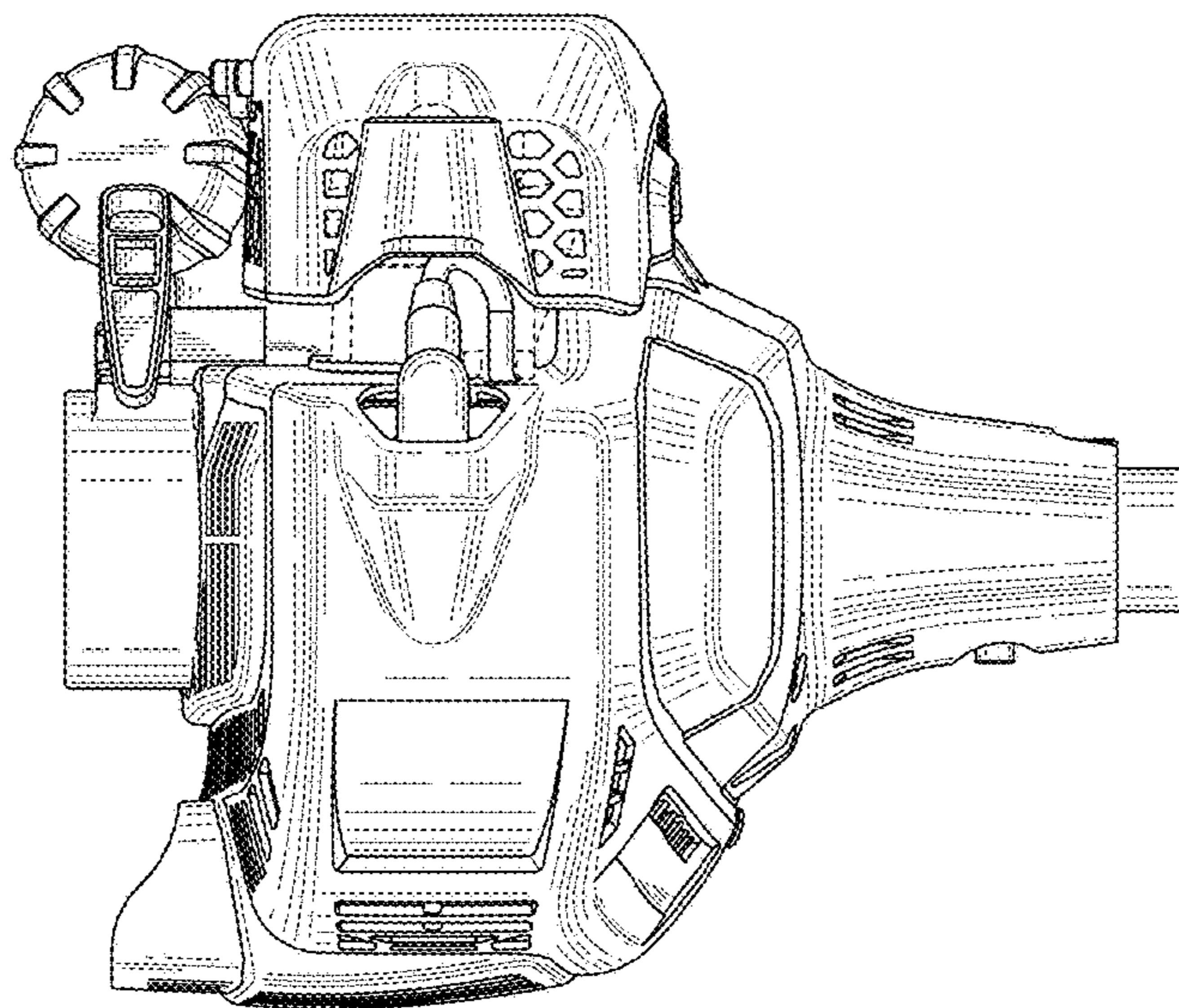


FIG. 7