



US00D849785S

(12) **United States Design Patent**
Richardson

(10) **Patent No.:** **US D849,785 S**

(45) **Date of Patent:** **** May 28, 2019**

(54) **DISPLAY SCREEN OR PORTION THEREOF WITH ANIMATED GRAPHICAL USER INTERFACE**

D289,121 S * 4/1987 Sasaki D6/718.31
D375,229 S * 11/1996 DiBella A47G 23/0216
D7/619.1
D409,024 S * 5/1999 Wagner D6/718.31

(Continued)

(71) Applicant: **Helixaeon Inc**, Boulder, CO (US)

Primary Examiner — Melanie H Tung

(72) Inventor: **Daniel Patrick Richardson**, Boulder, CO (US)

(74) *Attorney, Agent, or Firm* — Duft & Bornsen, PC

(73) Assignee: **HELIXAEON, INC.**, Boulder, CO (US)

(57) **CLAIM**

The ornamental design for a display screen or portion thereof with an animated graphical user interface, as shown and described.

(**) Term: **15 Years**

DESCRIPTION

(21) Appl. No.: **29/625,385**

(22) Filed: **Nov. 9, 2017**

FIG. 1 is a front view of a display screen or portion thereof with an animated graphical user interface showing a first image in the sequence showing the new design in a first embodiment.

(51) **LOC (11) Cl.** **14-04**

(52) **U.S. Cl.**
USPC **D14/488**

FIG. 2 is a second image thereof.

FIG. 3 is a third image thereof.

(58) **Field of Classification Search**
USPC D14/485, 486, 487, 488; D6/718.31,
D6/606; D8/356

CPC G06F 3/048; G06F 3/0481; G06F 3/04812;
G06F 3/04817; G06F 3/0482; G06F
3/0484; G06F 3/0485; G06F 3/0487;
G06F 3/0488; G06F 3/04883; G06F
3/04886; G06F 3/0489

FIG. 4 is a fourth image thereof.

FIG. 5 is a front view of a display screen or portion thereof with an animated graphical user interface showing a first image in the sequence showing the new design in a second embodiment thereof.

FIG. 6 is a second image thereof.

FIG. 7 is a third image thereof.

FIG. 8 is a fourth image thereof.

FIG. 9 is a fifth image thereof; and,

FIG. 10 is a sixth image thereof.

See application file for complete search history.

The broken line showing in the figure views of a display screen or portion thereof, text and graphical elements form no part of the claimed design.

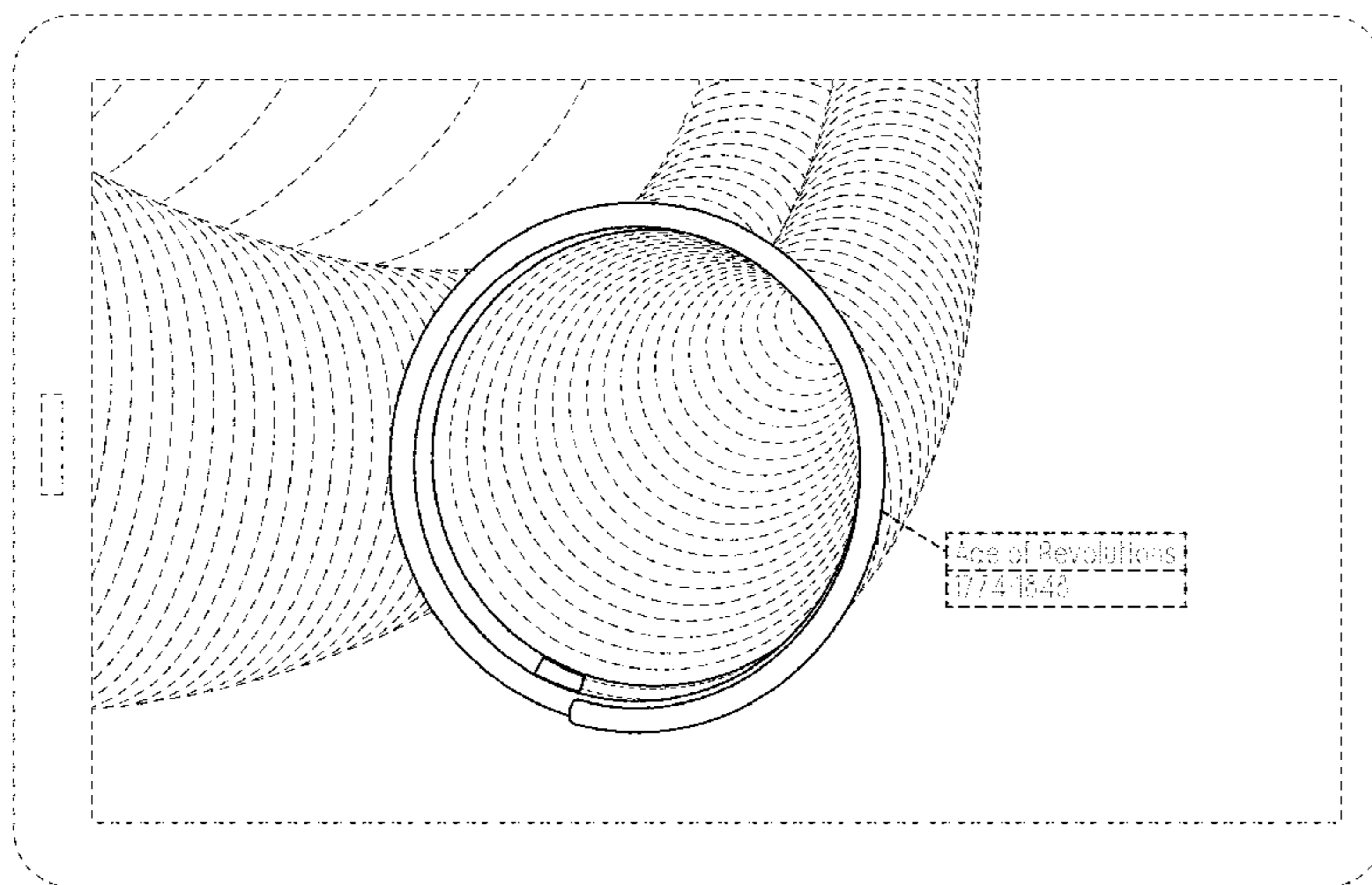
The appearance of the animated images sequentially transitions between the images shown in FIGS. 1-4 in the first embodiment, and between the images shown in FIGS. 5-10 in the second embodiment. The process or period in which one image transitions to another image forms no part of the claimed design.

(56) **References Cited**

U.S. PATENT DOCUMENTS

D17,951 S * 12/1887 Turner D6/718.31
D29,631 S * 11/1898 Guynn et al. D6/718.31
D109,730 S * 5/1938 Powers D6/718.31
2,520,818 A * 8/1950 Terry A45F 3/44
248/153
2,779,647 A * 1/1957 Hamm F16J 9/062
267/167
4,114,306 A * 9/1978 Molenaar A63H 33/00
446/486

1 Claim, 10 Drawing Sheets



(56)

References Cited

U.S. PATENT DOCUMENTS

5,909,791 A * 6/1999 DiStefano F16D 41/206
192/223.4
D422,032 S * 3/2000 Schimmel D21/398
D487,862 S * 3/2004 Tincher D7/620
D594,592 S * 6/2009 Ohmori D26/140
D666,378 S * 9/2012 Dixon D1/125
D672,568 S * 12/2012 Keeley D6/349
D681,980 S * 5/2013 DeFranks A47C 23/0438
D6/718.31
D759,077 S * 6/2016 Bergmann D14/486
D761,812 S * 7/2016 Motamedi D14/485
D762,230 S * 7/2016 Kaplan D14/486
D763,871 S * 8/2016 Yang D14/485
D763,877 S * 8/2016 Yu G06F 3/04817
D14/485
D771,076 S * 11/2016 Butcher D14/485
D776,680 S * 1/2017 Bae D14/485
D777,735 S * 1/2017 Kim D14/485
D781,299 S * 3/2017 Yun D14/485
D781,878 S * 3/2017 Butcher D14/485
D781,879 S * 3/2017 Butcher D14/485
D784,363 S * 4/2017 Fleming D14/485
D784,760 S * 4/2017 Gilmartin D7/376
D785,658 S * 5/2017 Moroney D14/486
D786,278 S * 5/2017 Motamedi D14/485
D803,250 S * 11/2017 Lee D14/486

* cited by examiner

FIG. 1

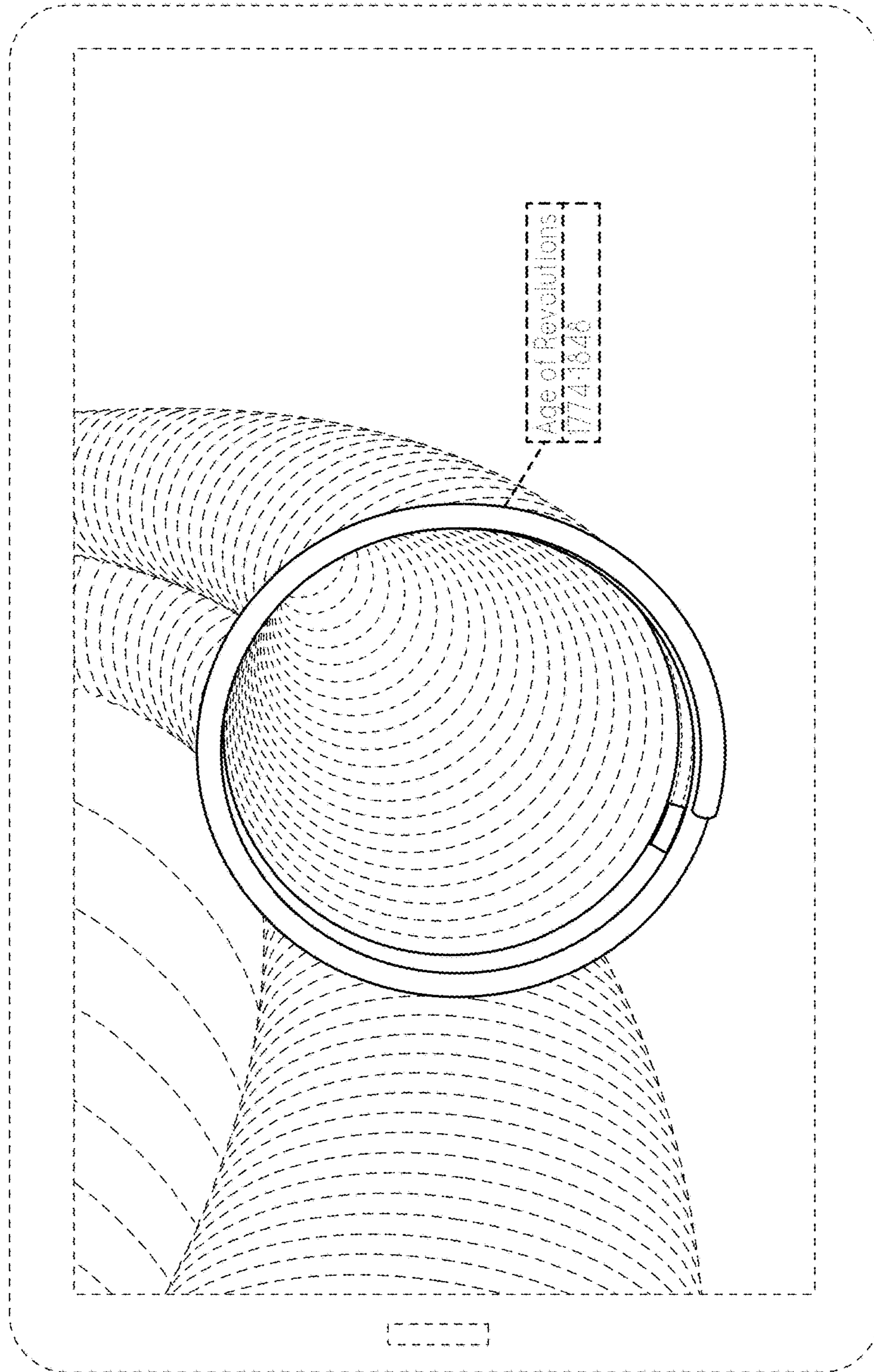


FIG. 2

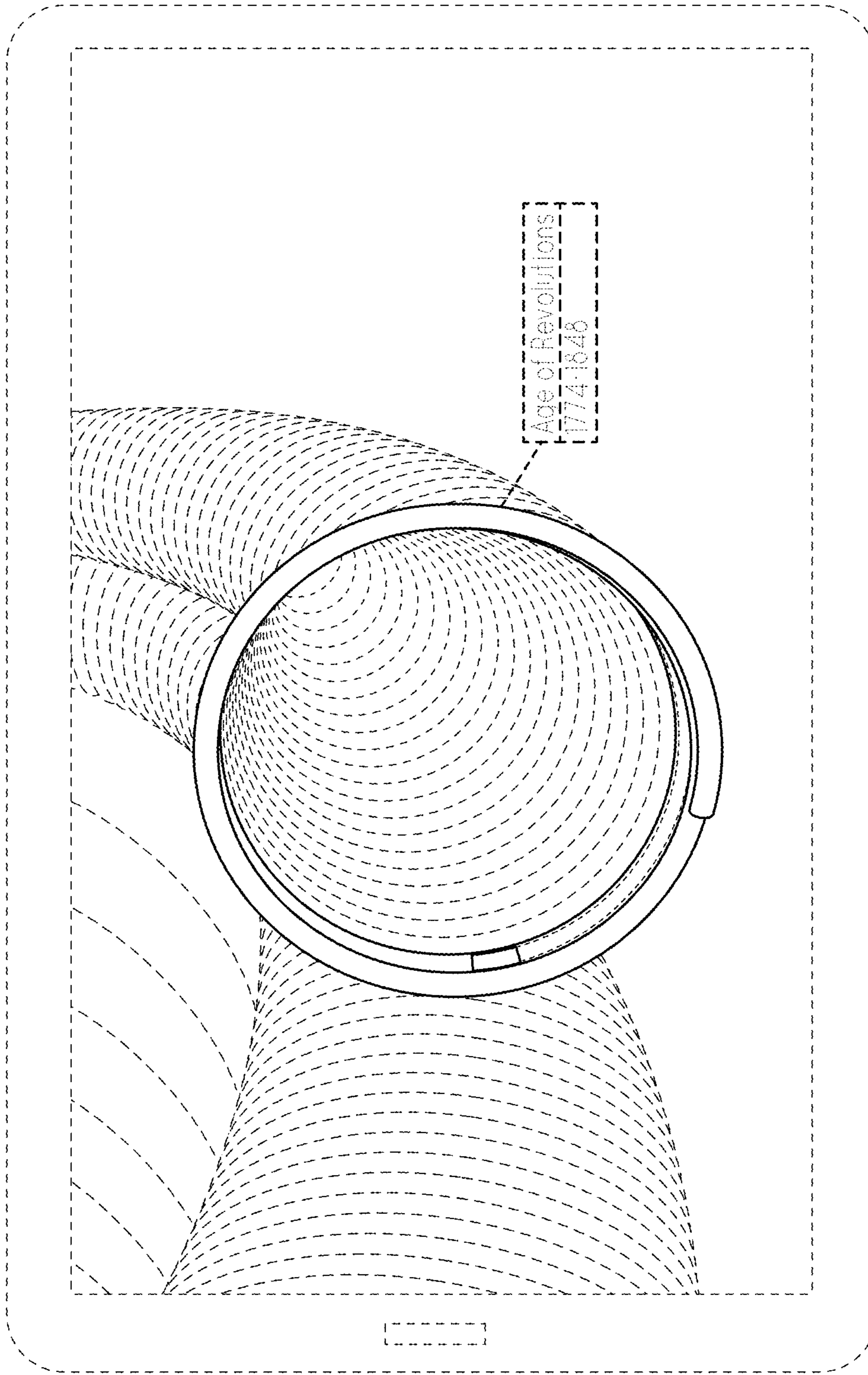


FIG. 3

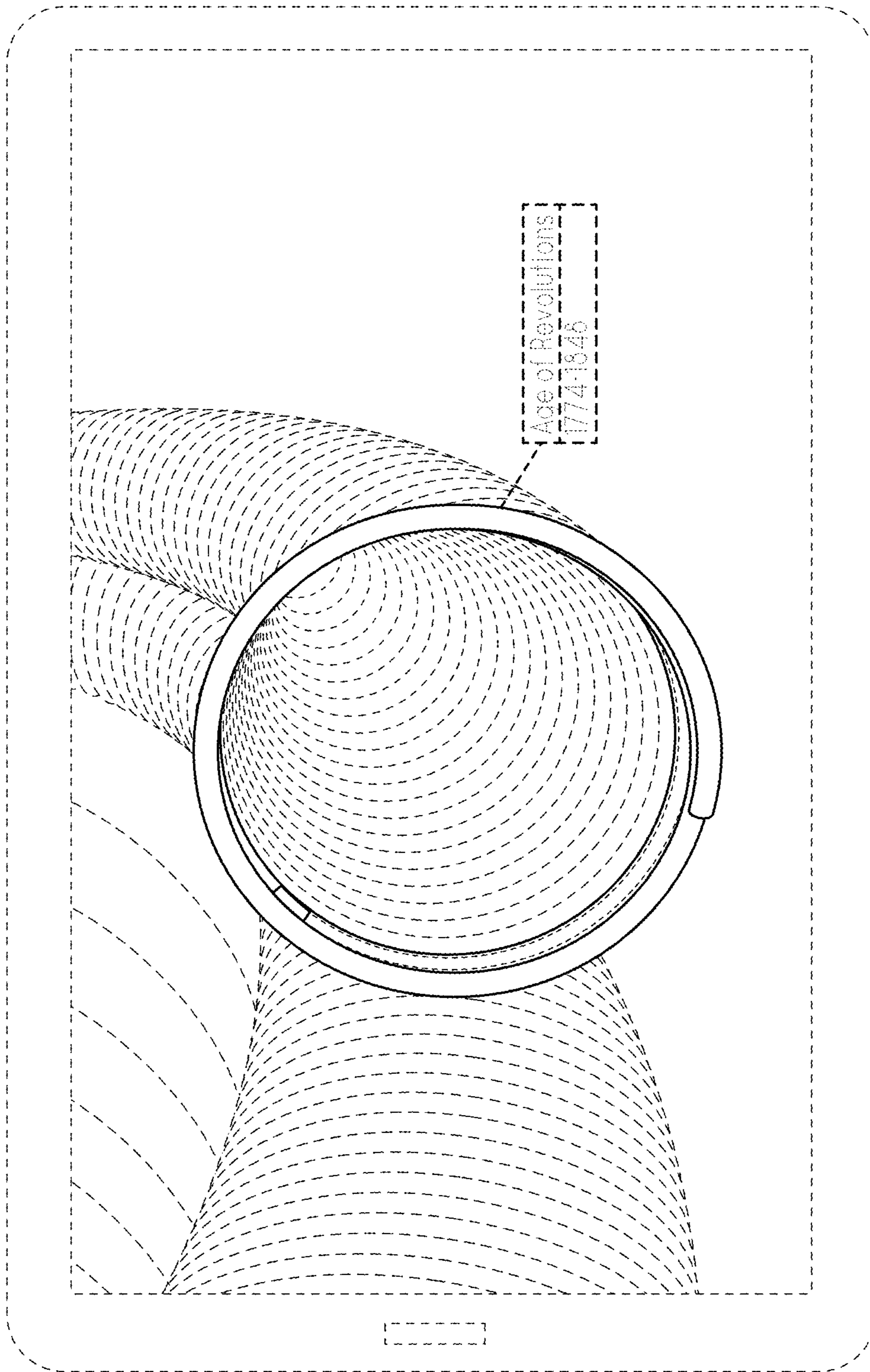


FIG. 4

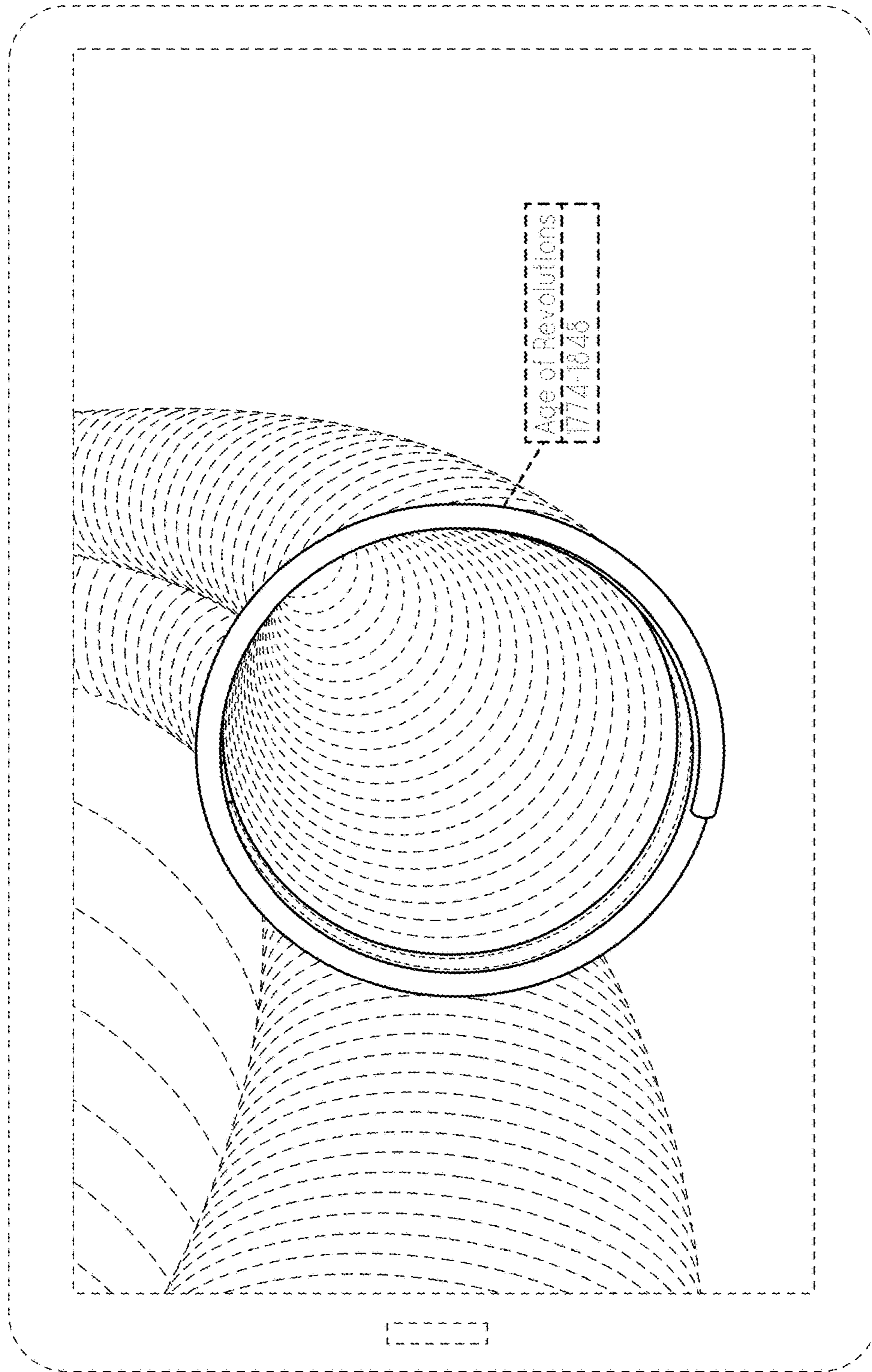


FIG. 5

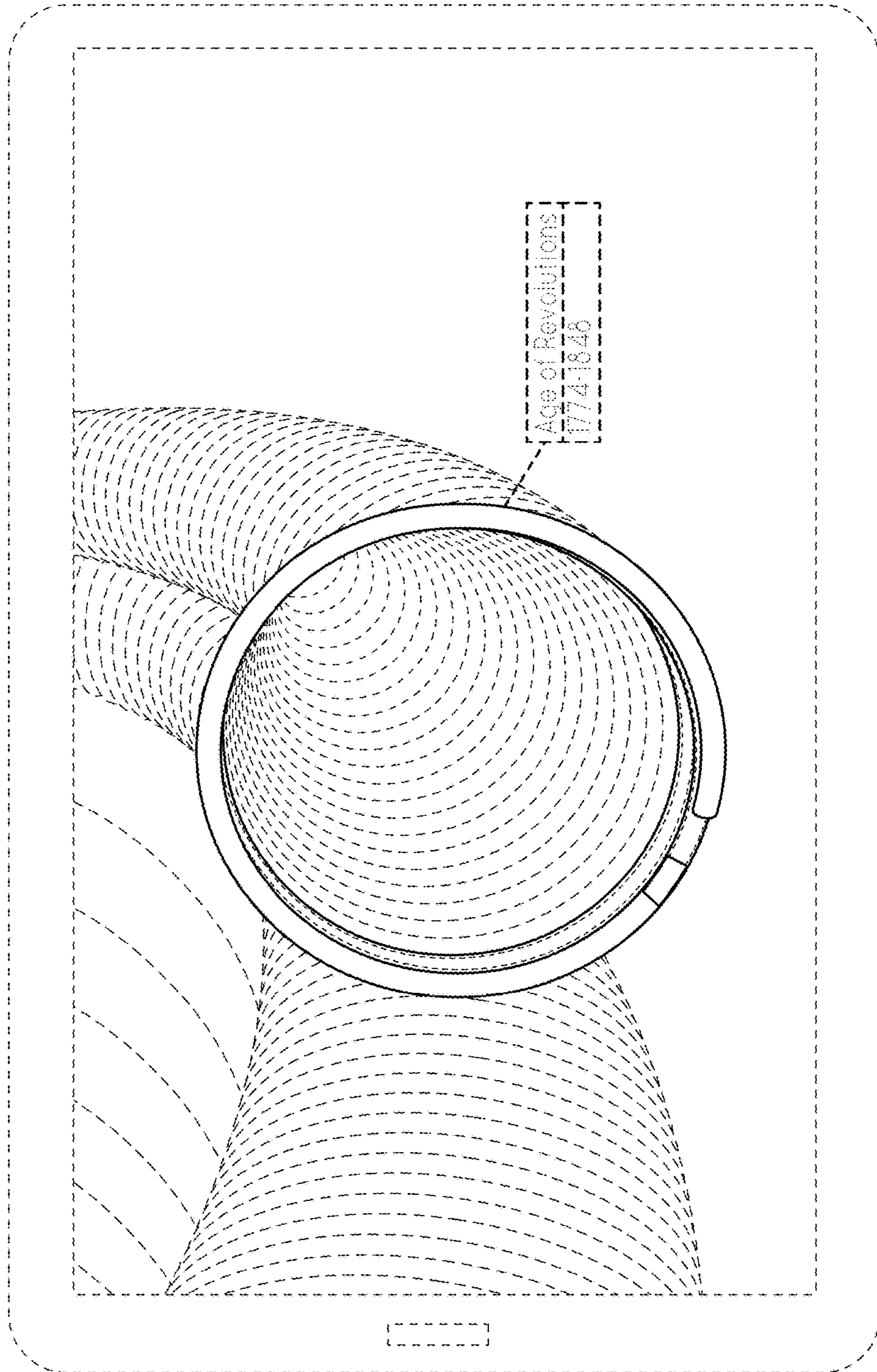


FIG. 6

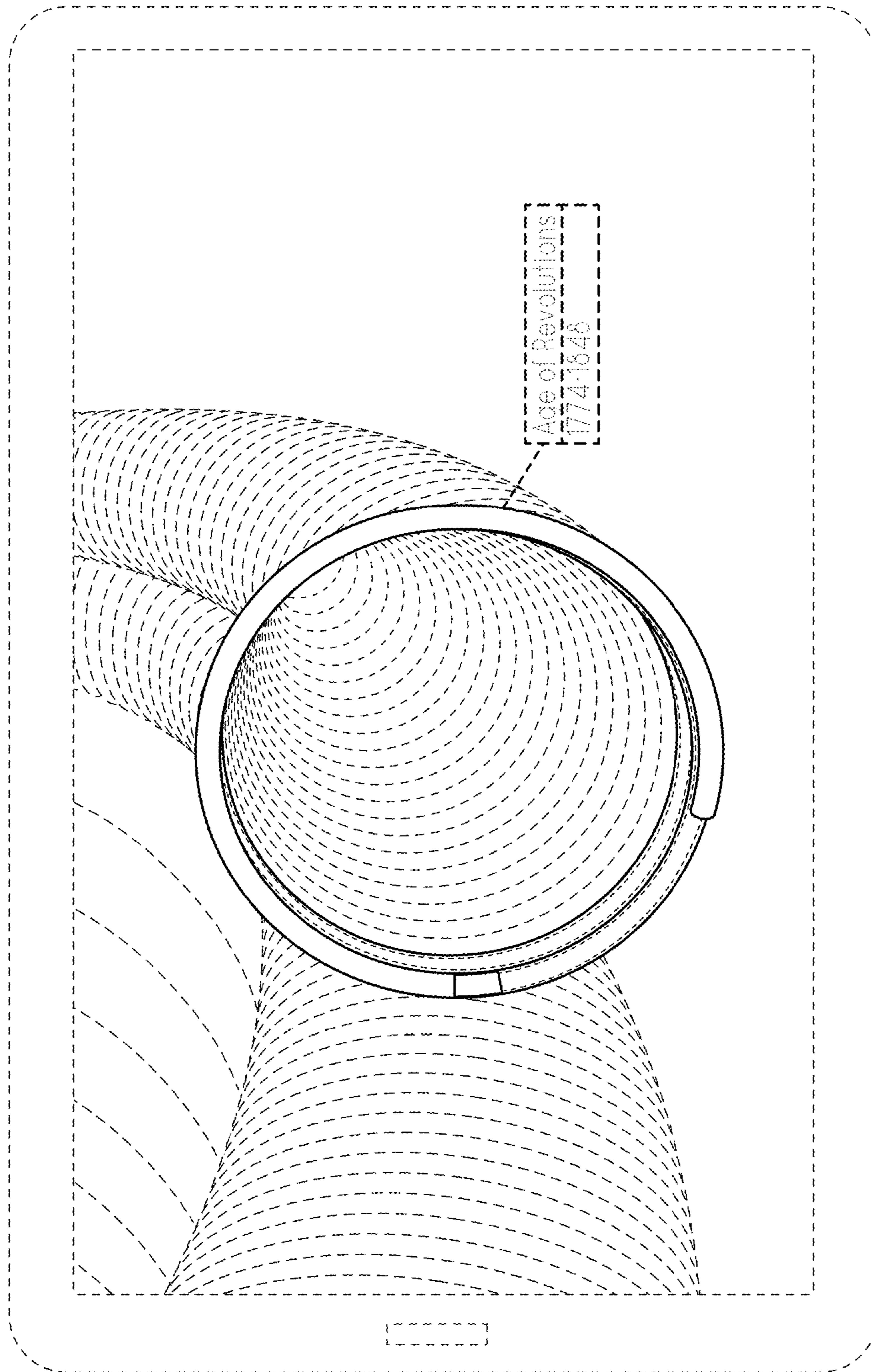


FIG. 7

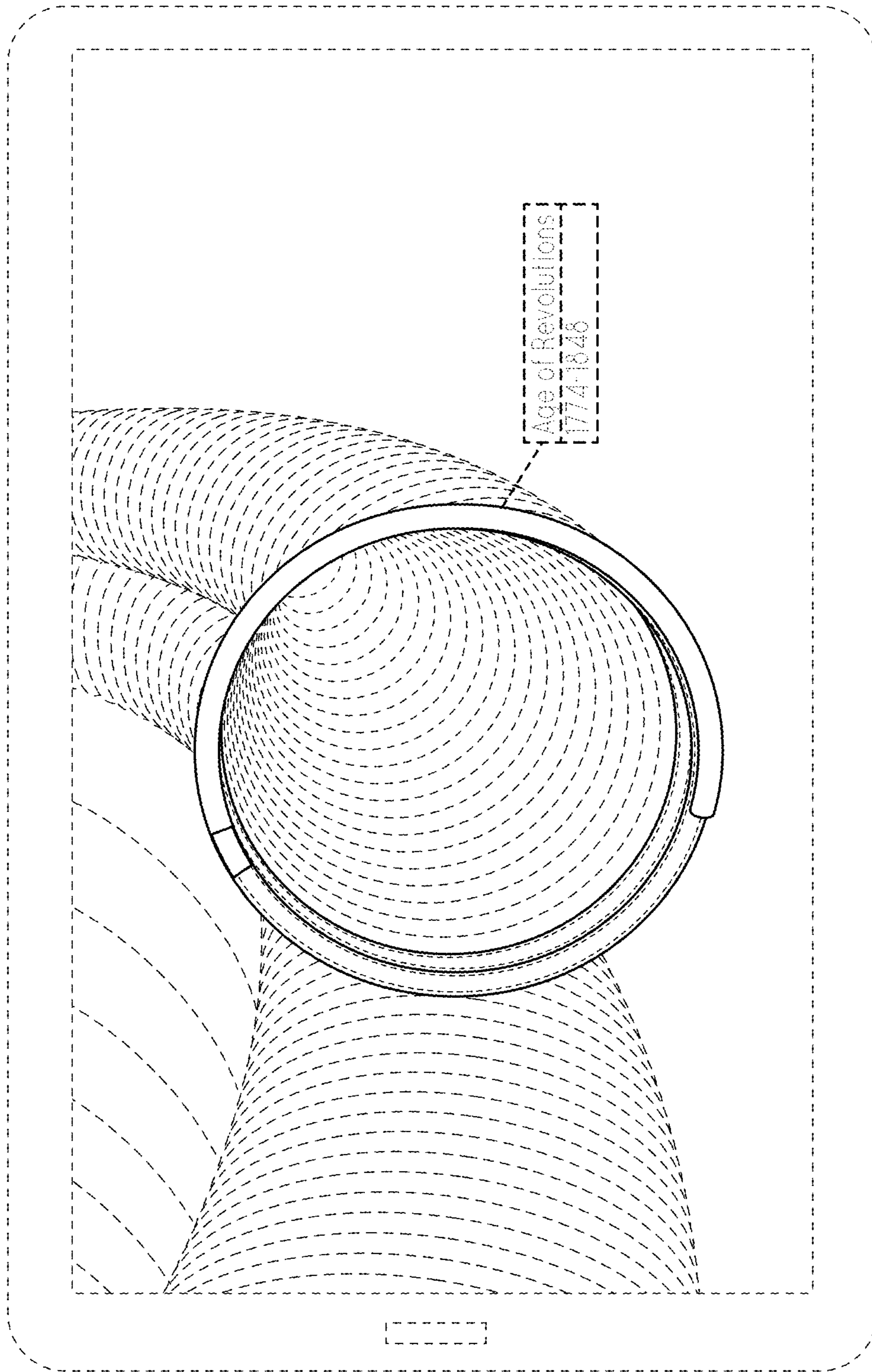


FIG. 8

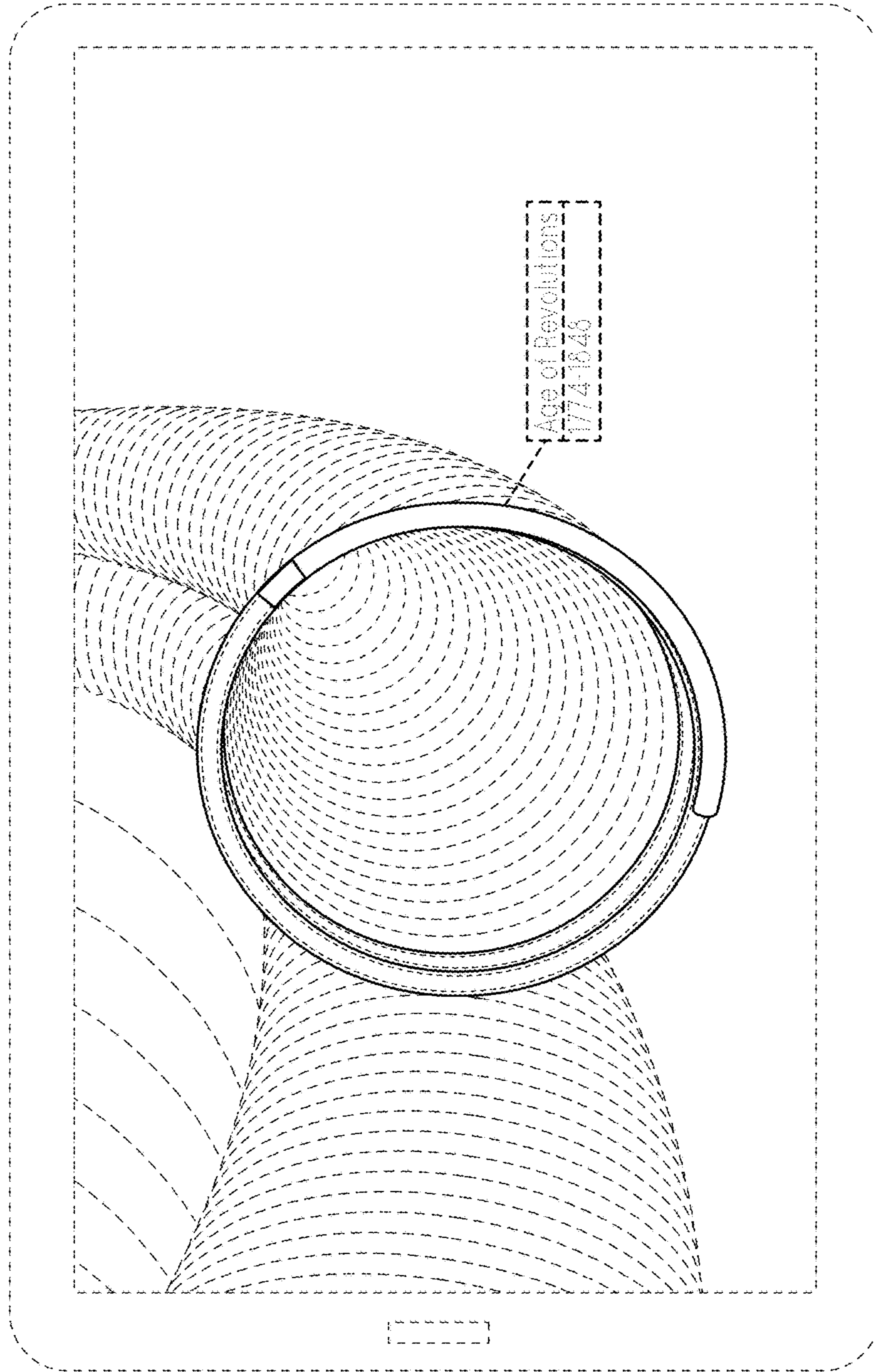


FIG. 9

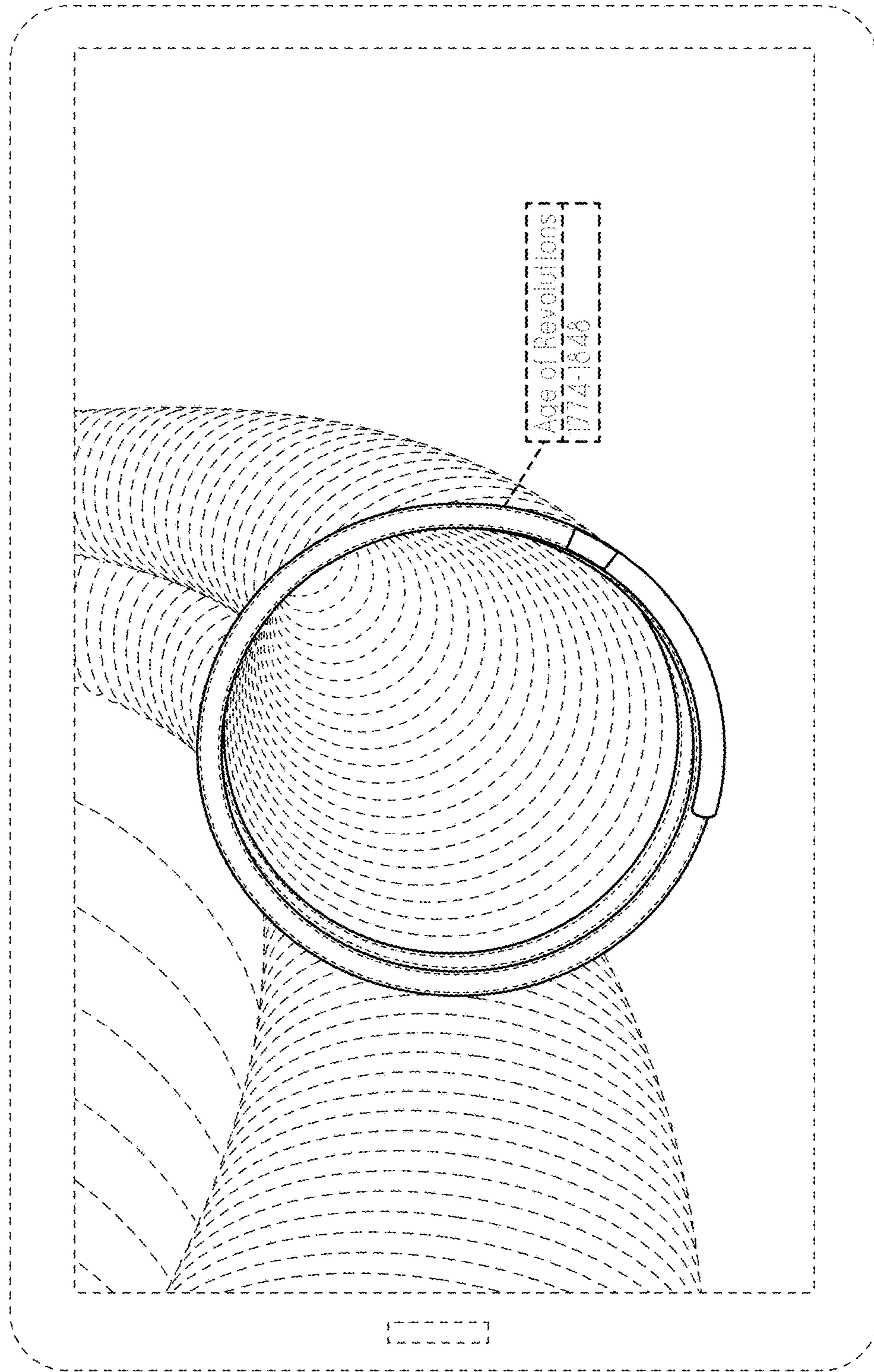


FIG. 10

