



US00D849753S

(12) **United States Design Patent**
Divine, Jr.

(10) **Patent No.:** **US D849,753 S**

(45) **Date of Patent:** **** May 28, 2019**

(54) **HOLDER FOR A PERSONAL DIGITAL ASSISTANT**

(71) Applicant: **Brian Kyle Divine, Jr.**, Granger, IN (US)

(72) Inventor: **Brian Kyle Divine, Jr.**, Granger, IN (US)

(**) Term: **15 Years**

(21) Appl. No.: **29/636,007**

(22) Filed: **Feb. 5, 2018**

(51) **LOC (11) Cl.** **08-07**

(52) **U.S. Cl.**
USPC **D14/447**

(58) **Field of Classification Search**
USPC D14/447, 432, 434, 439, 440, 451, 452, D14/457, 239, 251, 253; D8/363, 373, D8/380; D6/406.3, 406.4, 406.5, 406.6; D12/415
CPC A47B 21/04; A47B 2097/006; A47B 2097/005; A47B 2023/049; A45C 2011/002; A45C 2011/003; F16M 2200/00; F16M 13/00
See application file for complete search history.

(56) **References Cited**

U.S. PATENT DOCUMENTS

D282,043 S *	1/1986	Morin	D6/406.6
D393,633 S *	4/1998	Jacobson	D14/451
D530,717 S *	10/2006	Mori	D14/434
D640,699 S *	6/2011	McParland	D13/107
D641,368 S *	7/2011	McParland	D14/434

D680,121 S *	4/2013	Yamamoto	D14/447
D739,708 S *	9/2015	McSweyn	D8/349
D756,990 S *	5/2016	Akana	D14/314
D769,234 S *	10/2016	Rami	D14/253
D784,258 S *	4/2017	Vienna	D13/108
D786,791 S *	5/2017	Jeong	D13/108
D816,070 S *	4/2018	Marzynski	D14/240
D829,723 S *	10/2018	Kanter	D14/447

* cited by examiner

Primary Examiner — Angela J Lee

(74) *Attorney, Agent, or Firm* — Quickpatents, LLC; Kevin Prince

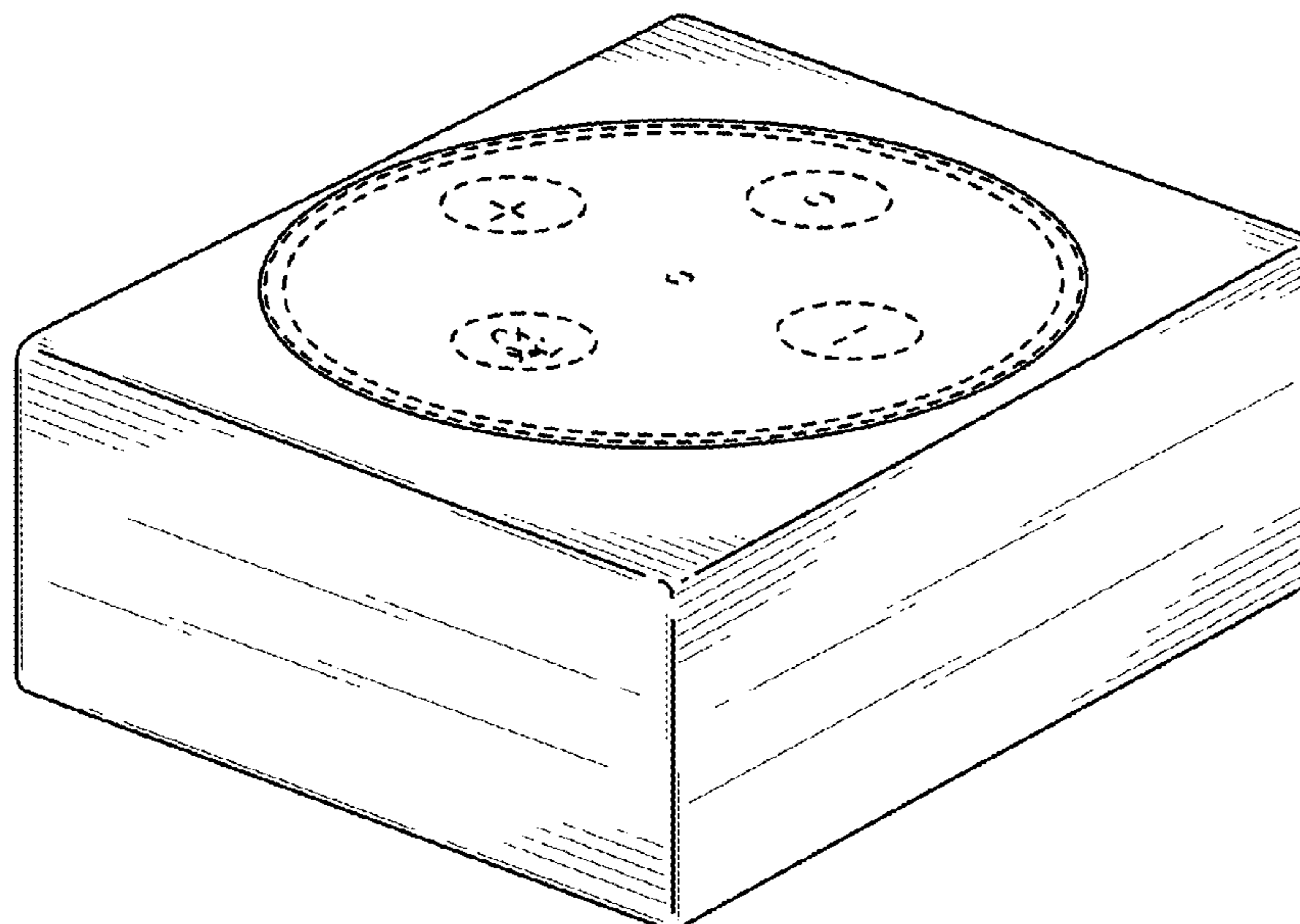
(57) **CLAIM**

I claim the ornamental design for a holder for a personal digital assistant, as shown and described.

DESCRIPTION

FIG. 1 is a top perspective view of a holder for a personal digital assistant, showing my new design; FIG. 2 is a front elevational view thereof; FIG. 3 is a rear elevational view thereof; FIG. 4 is a left-side elevational view thereof, the right-side elevational view being a mirror image thereof; FIG. 5 is a top plan view thereof; FIG. 6 is a bottom plan view thereof; and, FIG. 7 is a rear perspective view thereof. The broken lines showing a personal digital assistant in FIG. 1 depict environmental matter and form no part of the claimed design.

1 Claim, 3 Drawing Sheets



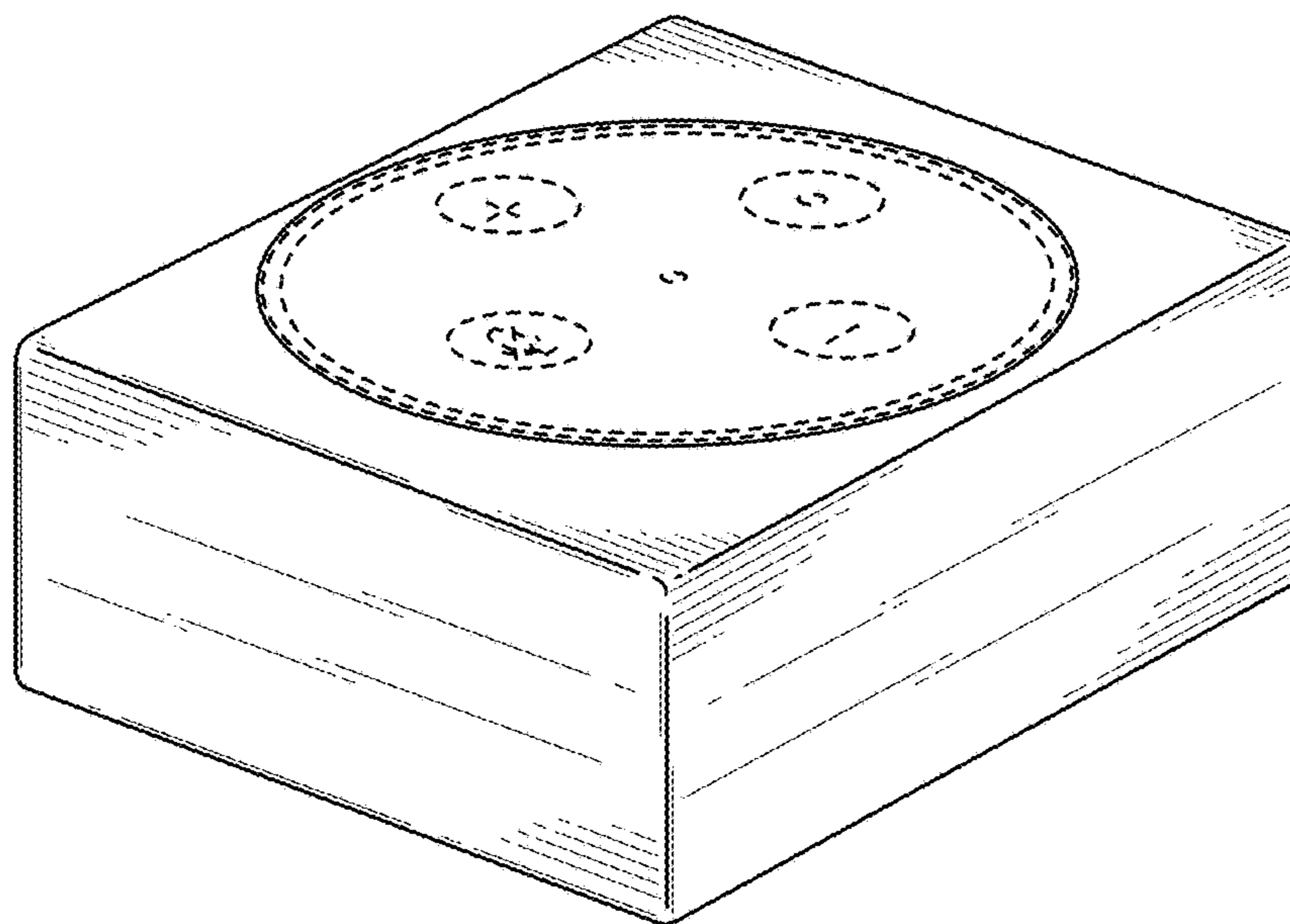


FIG. 1

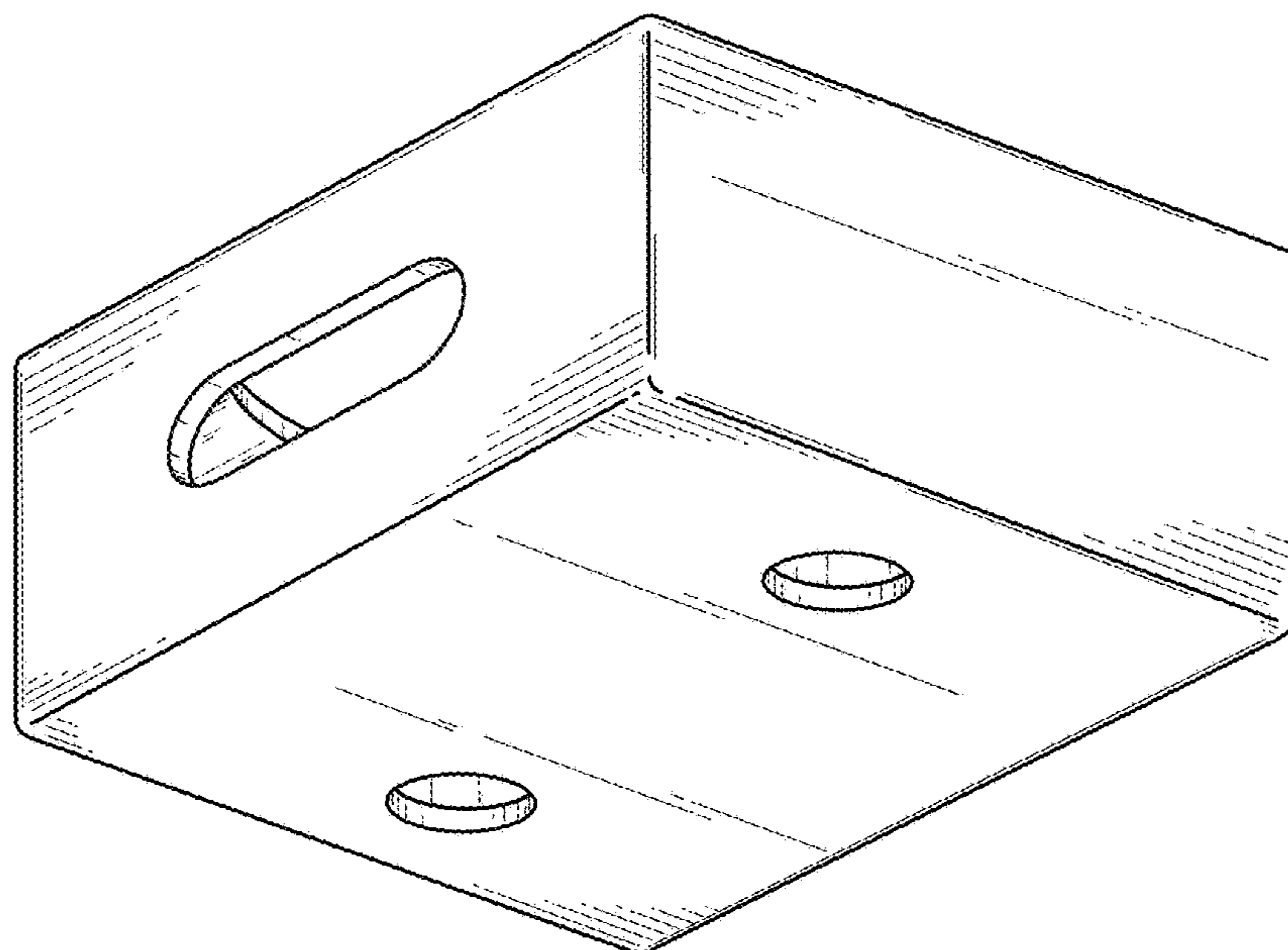


FIG. 7

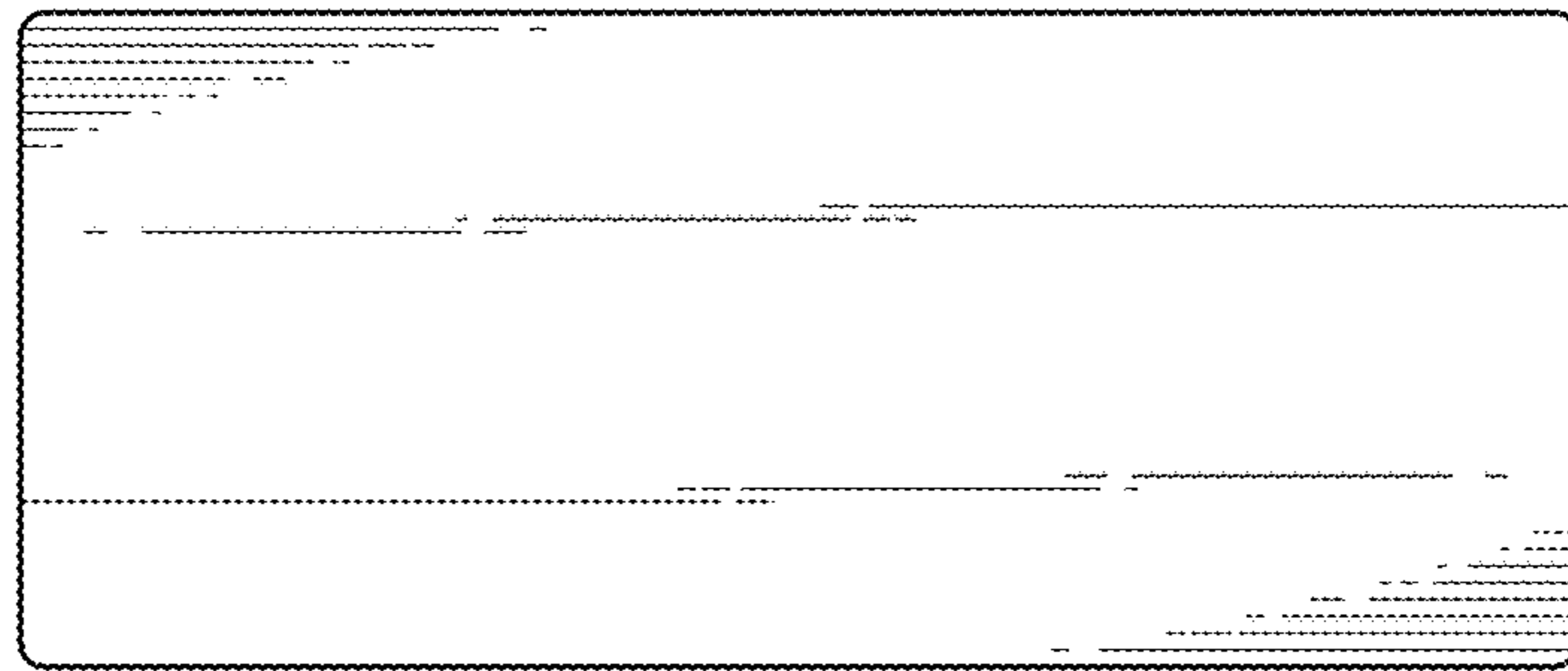


FIG. 2

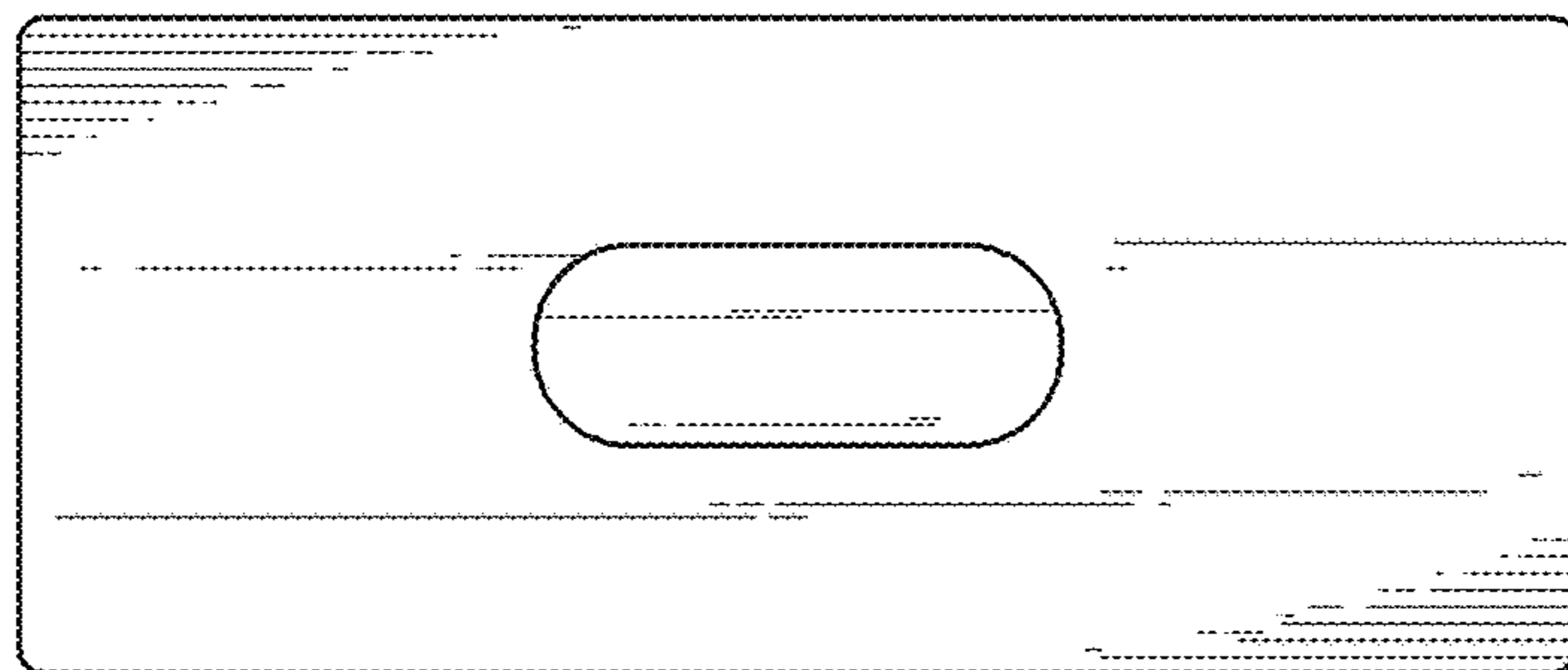


FIG. 3

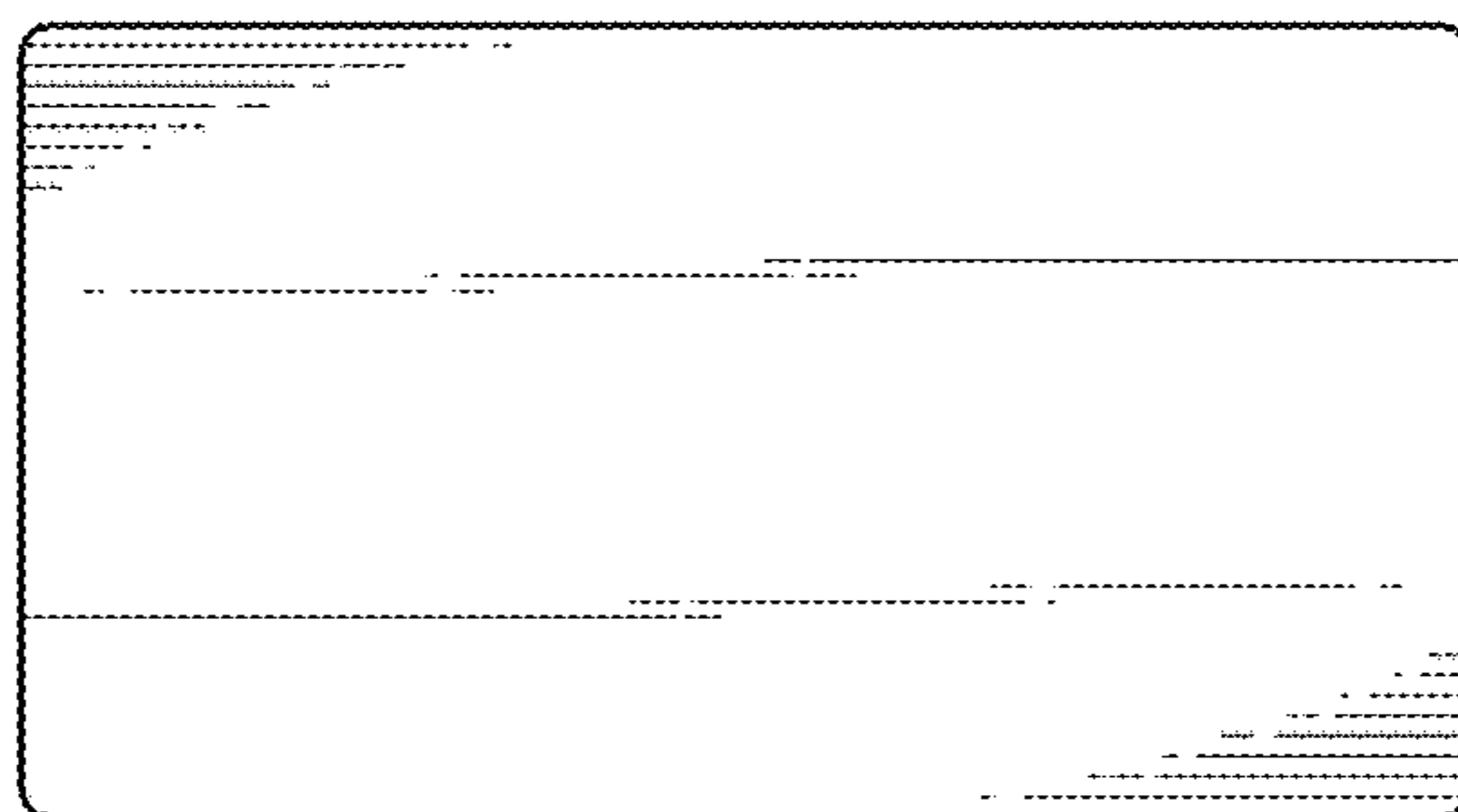


FIG. 4

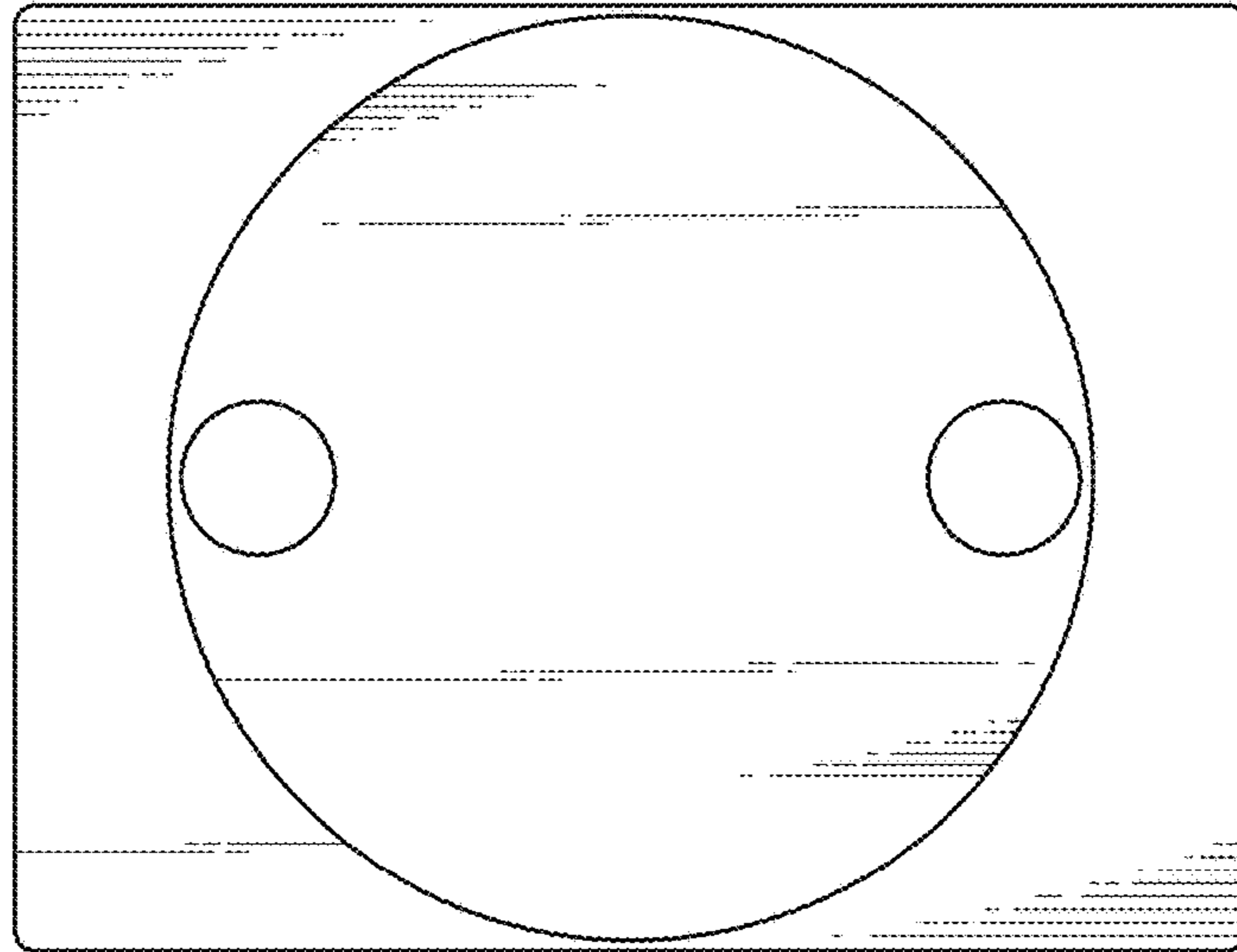


FIG. 5

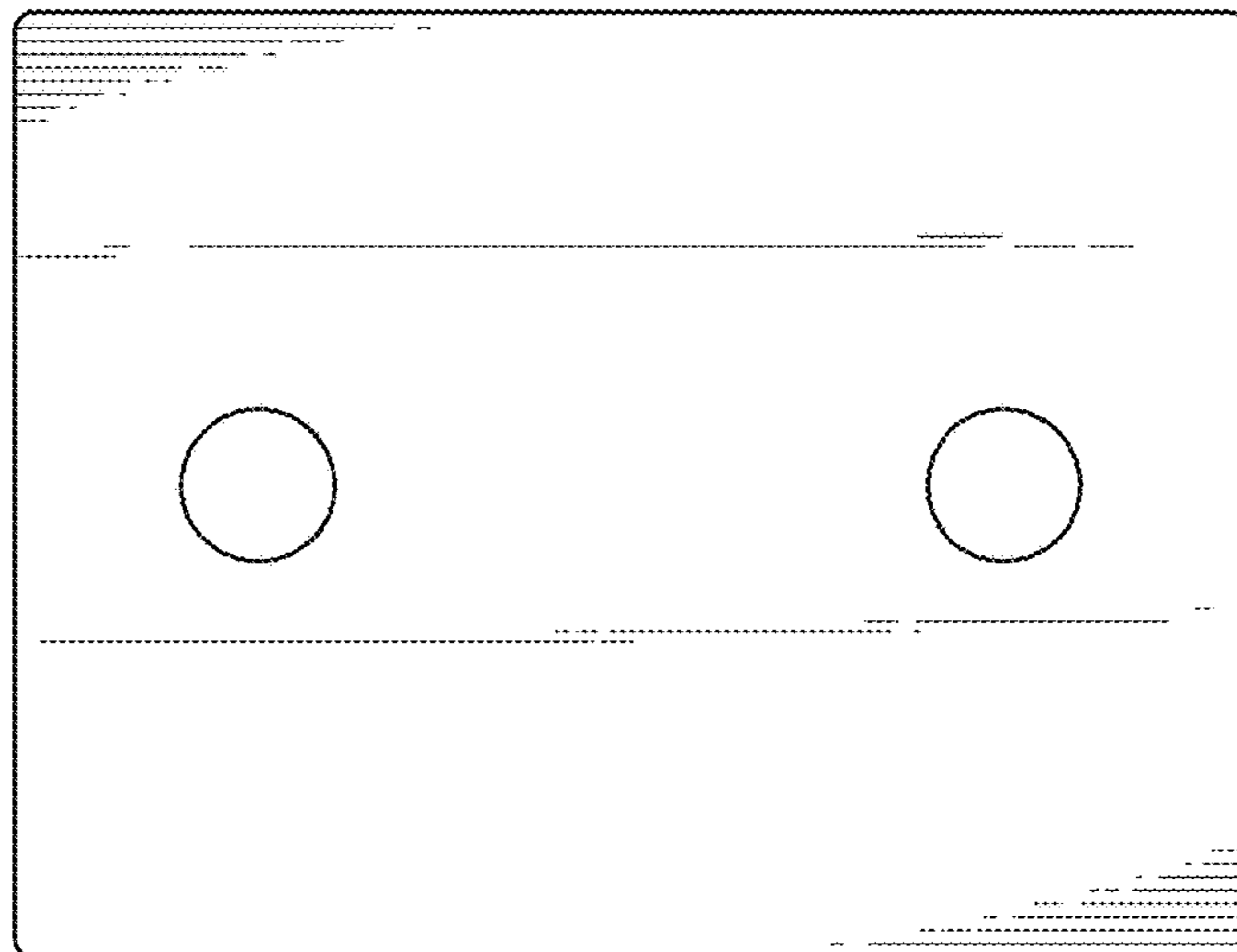


FIG. 6