



US00D849752S

(12) **United States Design Patent**
Huebner et al.

(10) **Patent No.:** **US D849,752 S**
(45) **Date of Patent:** **** May 28, 2019**

(54) **DISPLAY STAND**

(71) Applicant: **Wacom Co., Ltd.**, Kazo-shi, Saitama (JP)

(72) Inventors: **Volker Huebner**, Erkrath (DE);
Benedikt Gloess, Wuppertal (DE);
David Sayler, Portland, OR (US)

(73) Assignee: **Wacom Co., Ltd.**, Kazo-shi (JP)

(**) Term: **15 Years**

(21) Appl. No.: **29/632,989**

(22) Filed: **Jan. 11, 2018**

(30) **Foreign Application Priority Data**

Jul. 11, 2017 (JP) 2017-014929

(51) **LOC (11) Cl.** **08-07**

(52) **U.S. Cl.**
USPC **D14/447**

(58) **Field of Classification Search**
USPC D14/447, 432, 434, 439, 440, 451, 452,
D14/457, 239, 251, 253; D8/363, 373,
D8/380; D6/406.3, 406.4, 406.5, 406.6;
D12/415
CPC A47B 21/04; A47B 2097/006; A47B
2097/005; A47B 2023/049; A45C
2011/002; A45C 2011/003; F16M
2200/00; F16M 13/00
See application file for complete search history.

(56) **References Cited**

U.S. PATENT DOCUMENTS

D533,169 S * 12/2006 Lee D14/239
D602,938 S * 10/2009 Ward D14/434
D662,502 S * 6/2012 Wesolek D14/434
D666,621 S 9/2012 Harper et al.
D666,622 S 9/2012 Harper et al.

D666,623 S 9/2012 Harper et al.
D667,013 S 9/2012 Harper et al.
D669,049 S 10/2012 Harper et al.
D671,112 S 11/2012 Harper et al.
D671,122 S 11/2012 Harper et al.
D680,122 S * 4/2013 Yang D14/447
D694,219 S * 11/2013 Parraga Gimeno D14/217
D696,261 S * 12/2013 Weldon D14/447
D702,243 S * 4/2014 Oh D14/447

(Continued)

Primary Examiner — Angela J Lee

(74) *Attorney, Agent, or Firm* — Christensen O'Connor Johnson Kindness PLLC

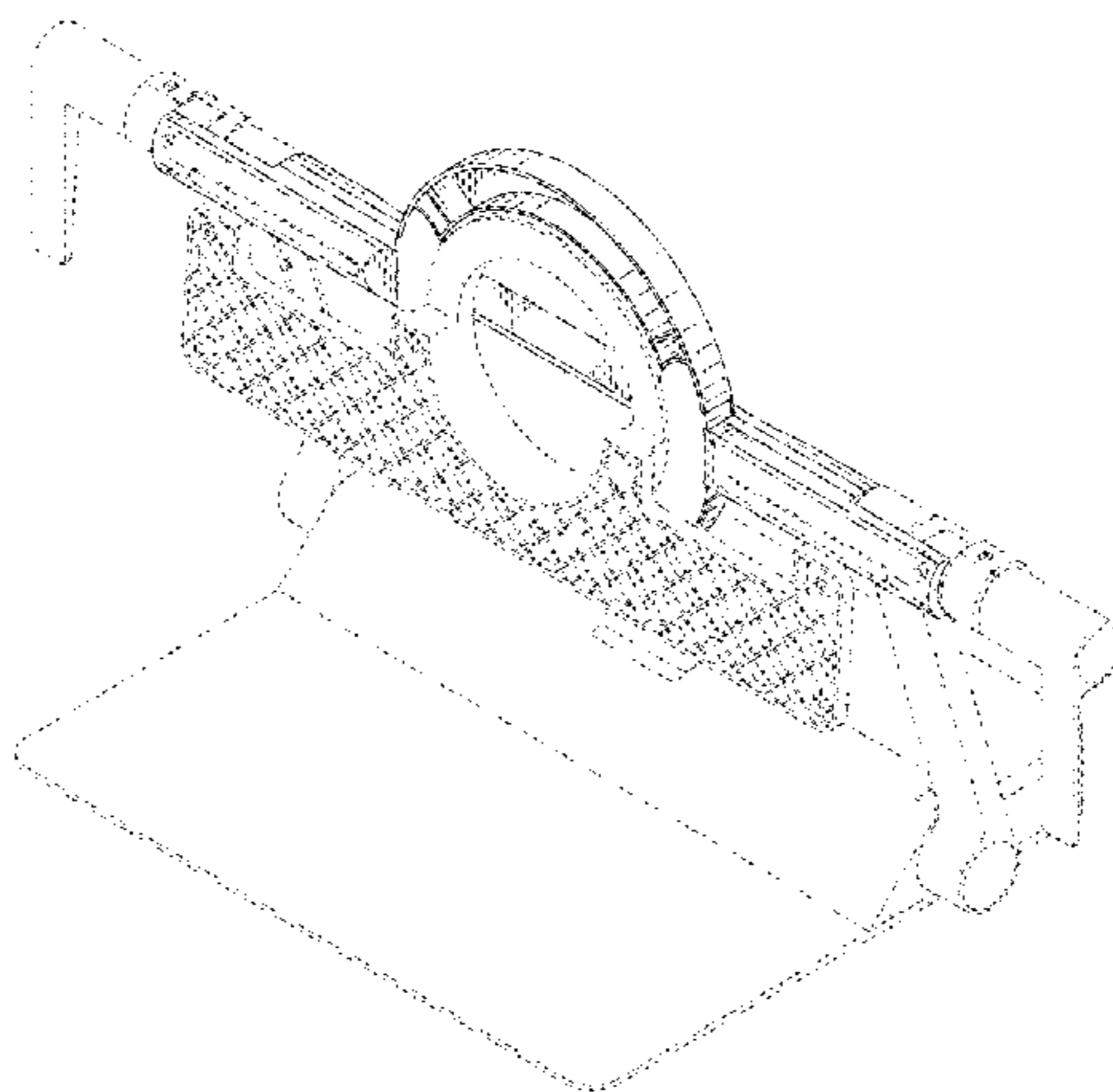
(57) **CLAIM**

The ornamental design for a display stand, as shown and described.

DESCRIPTION

FIG. 1 shows a top-front-right perspective view of a representative embodiment of a display stand according to my new design, wherein the display stand is in a first position; FIG. 2 shows a bottom-rear-left perspective view thereof; FIG. 3 shows a front elevational view thereof; FIG. 4 shows a rear elevational view thereof; FIG. 5 shows a right side elevational view thereof, wherein the left side elevational view is a mirror image of the right side elevational view; FIG. 6 shows a top plan view thereof; FIG. 7 shows a bottom plan view thereof; FIG. 8 shows a left side elevational view of the display stand of FIG. 1, wherein the display stand is in a second position; and, FIG. 9 top-front-right perspective view of the display stand of FIG. 1, wherein the display stand is in the first position, and a display is mounted thereto. The dashed broken lines in the drawings show portions of the coordinate input device that form no part of the claimed design.

1 Claim, 5 Drawing Sheets



(56)

References Cited

U.S. PATENT DOCUMENTS

D714,281 S	*	9/2014	Reznik	D14/251
D728,537 S	*	5/2015	Choi	D14/239
D742,386 S	*	11/2015	Rost	D14/447
D750,088 S	*	2/2016	Reznik	D14/447
D778,916 S	*	2/2017	Li	D14/447
D784,999 S	*	4/2017	Cutler	D14/447

* cited by examiner

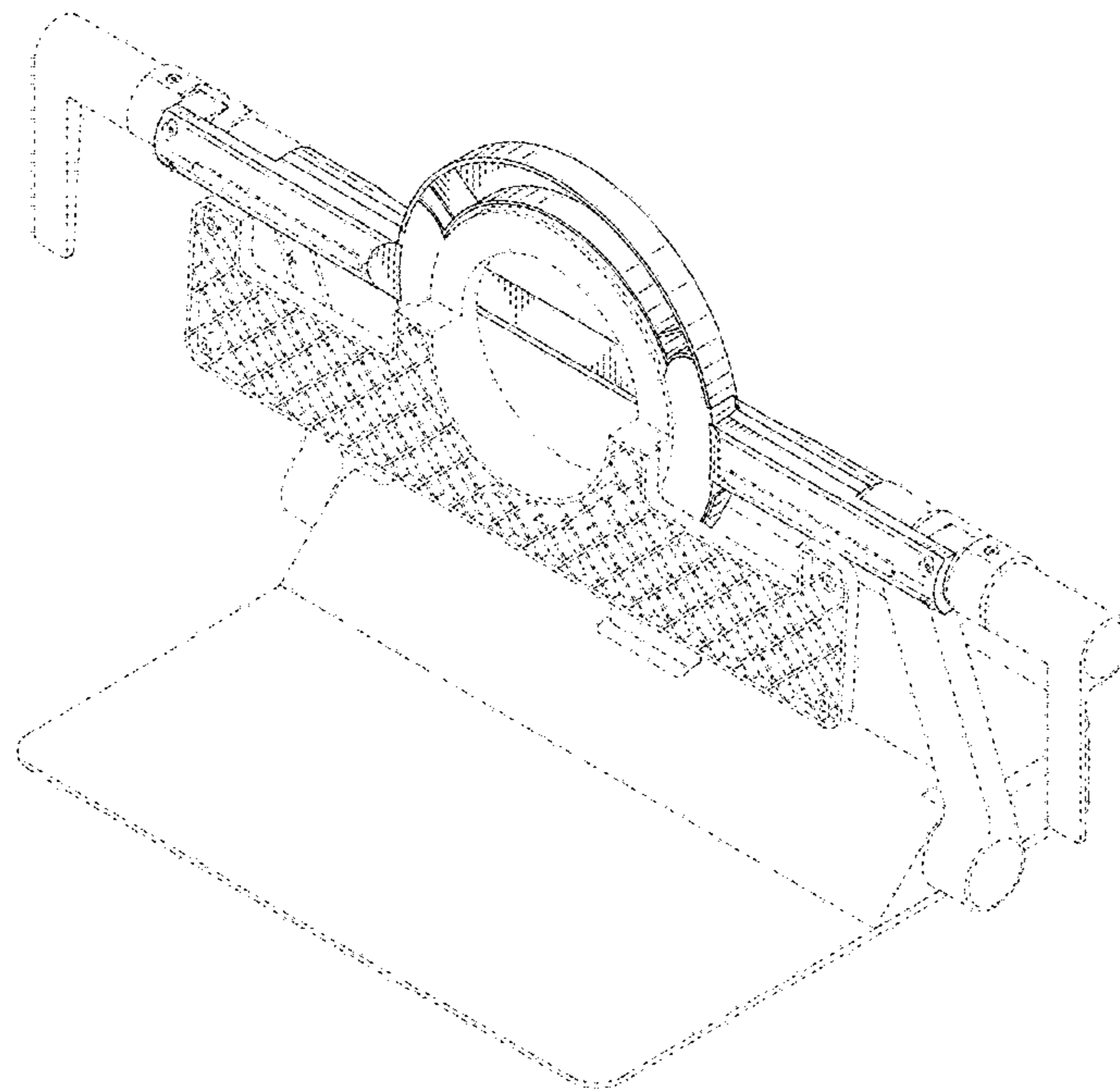


FIG. 1

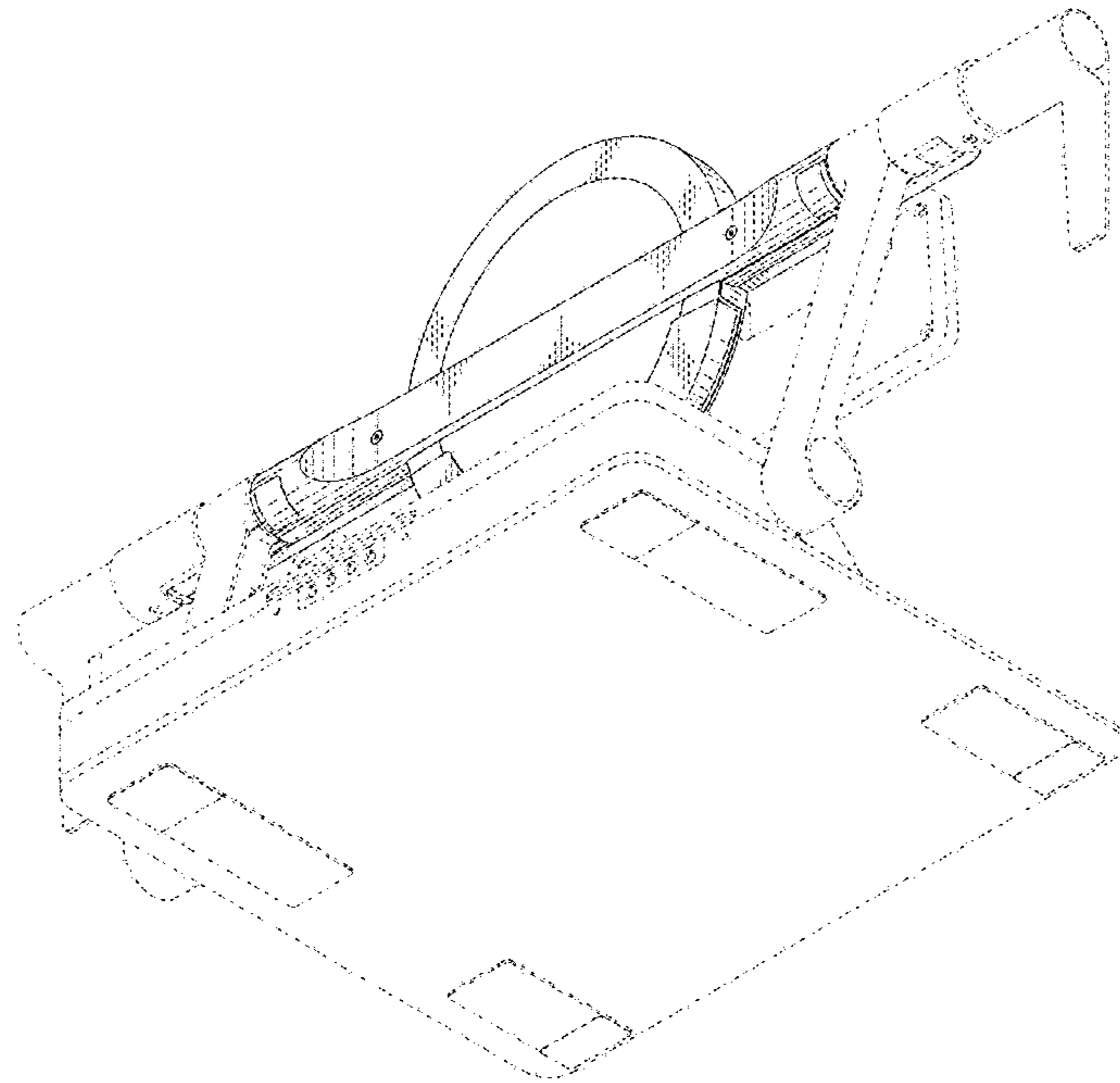


FIG. 2

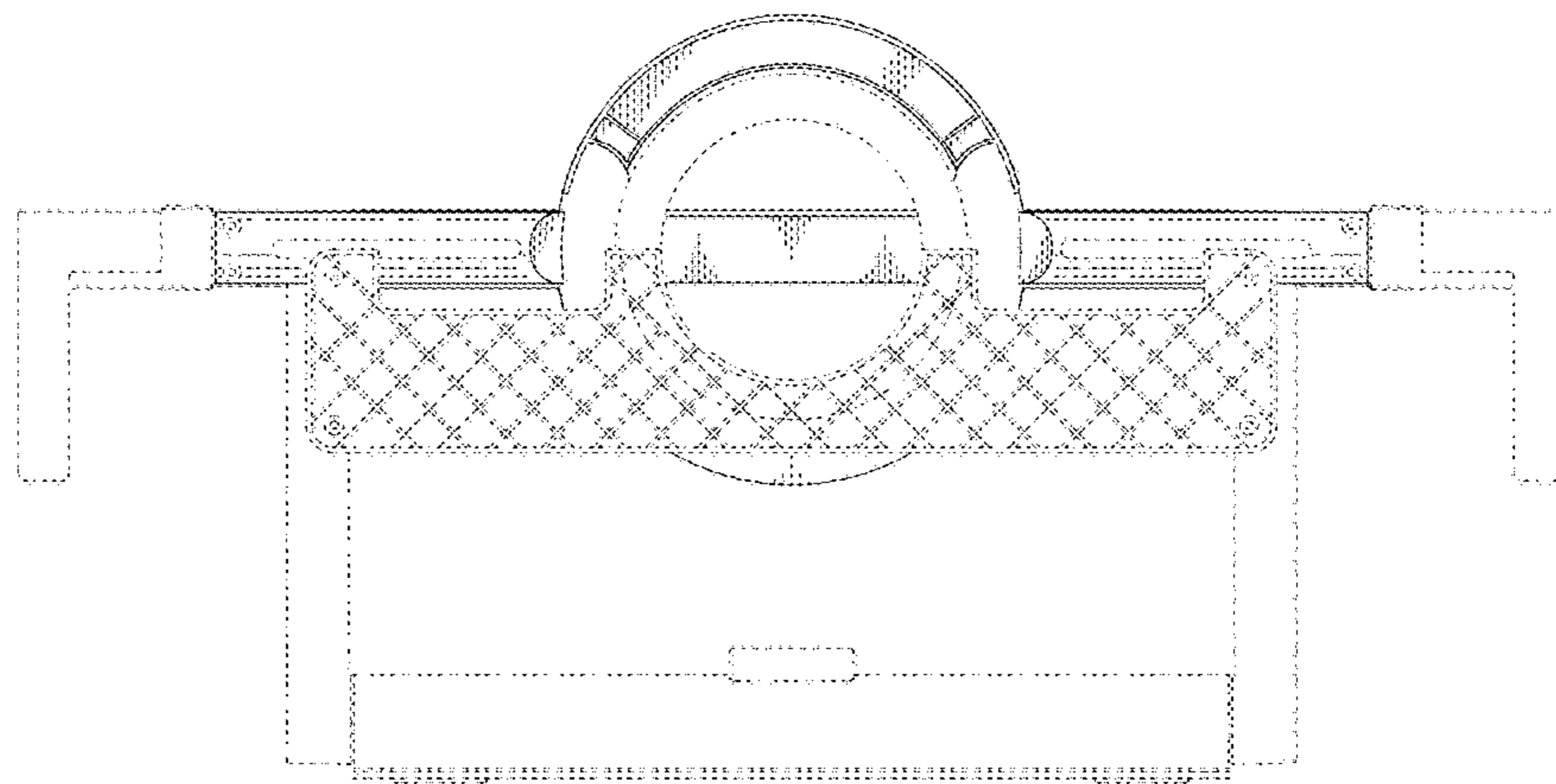


FIG. 3

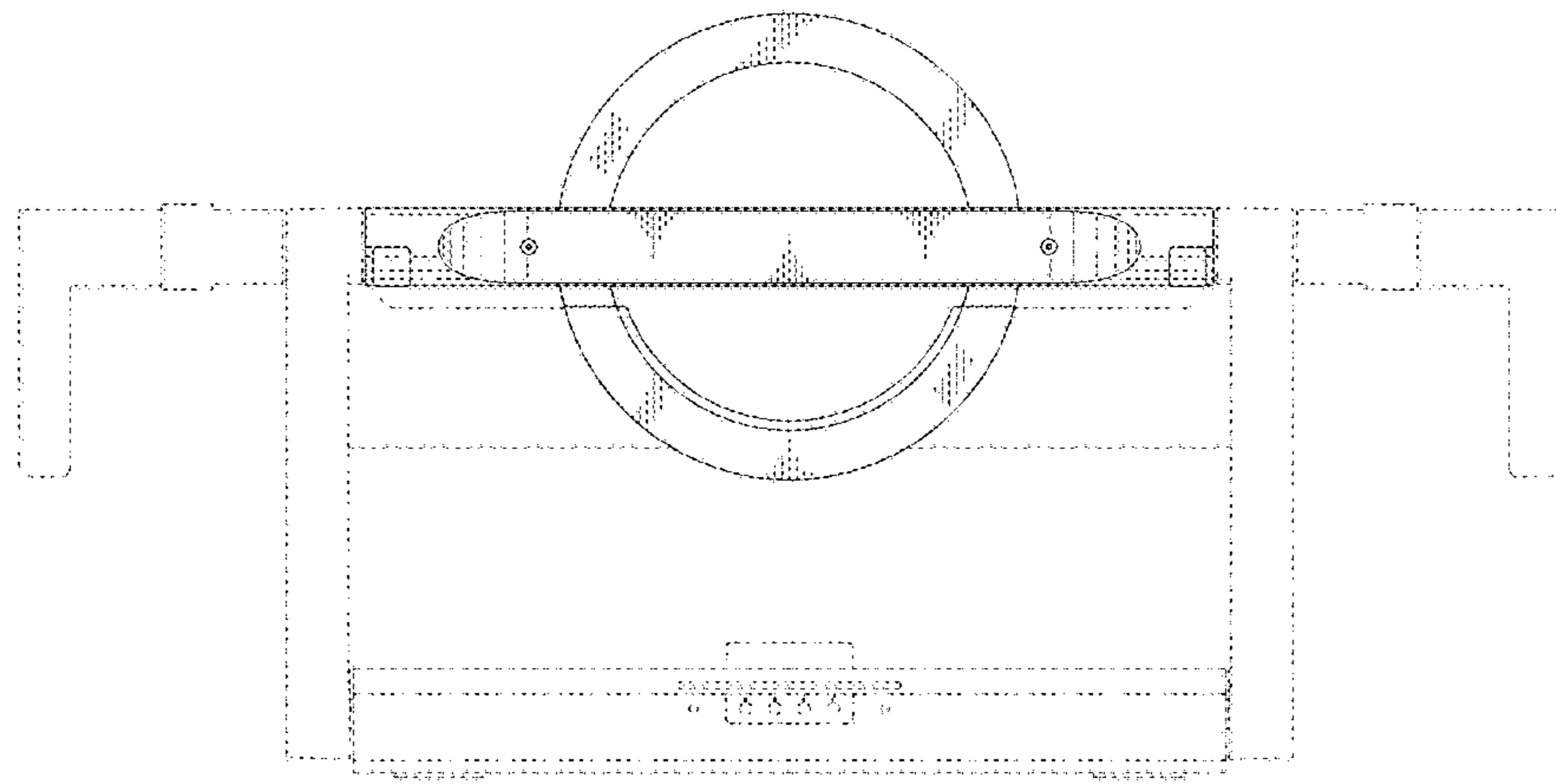


FIG. 4

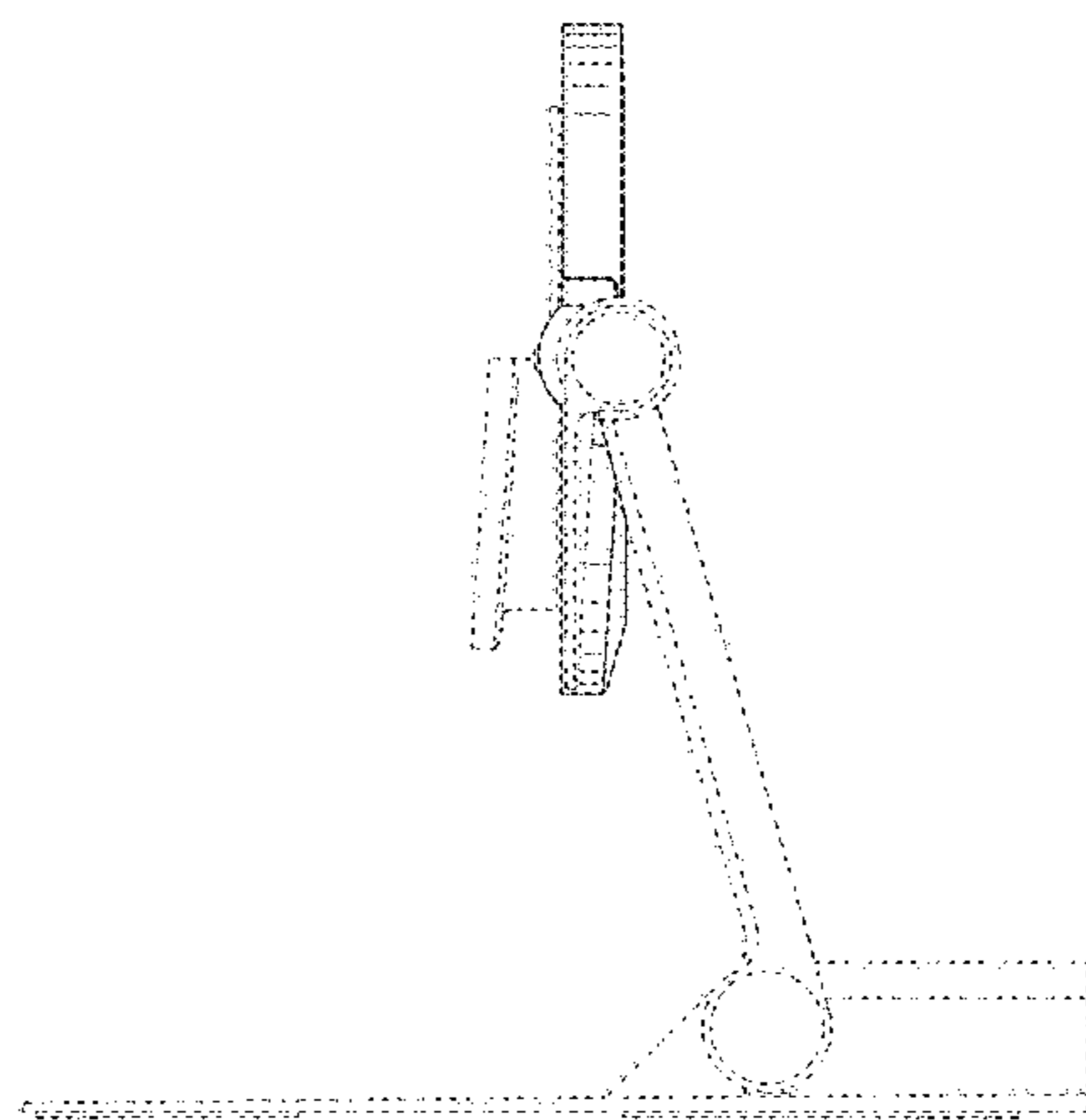


FIG. 5

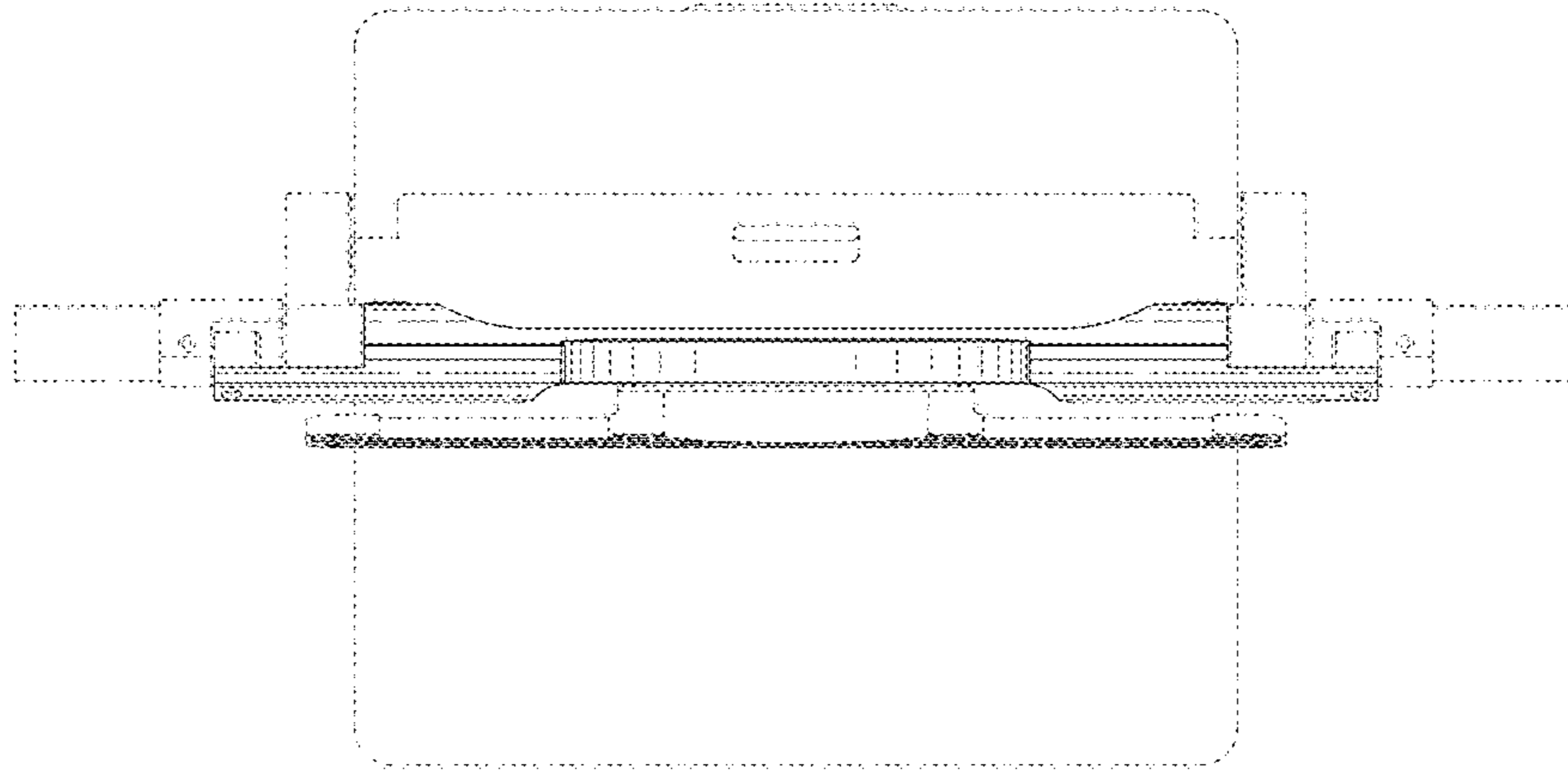


FIG. 6

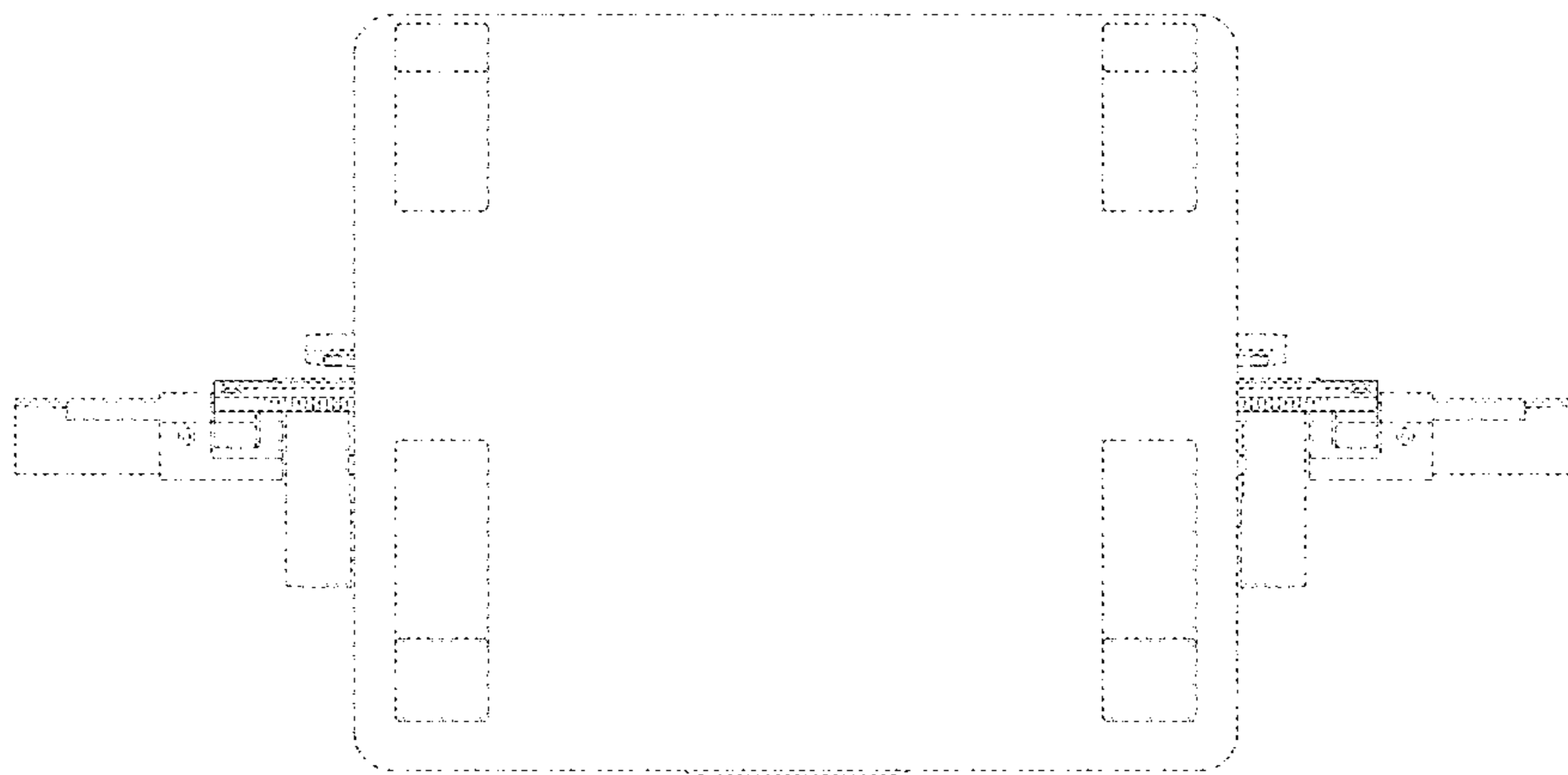


FIG. 7

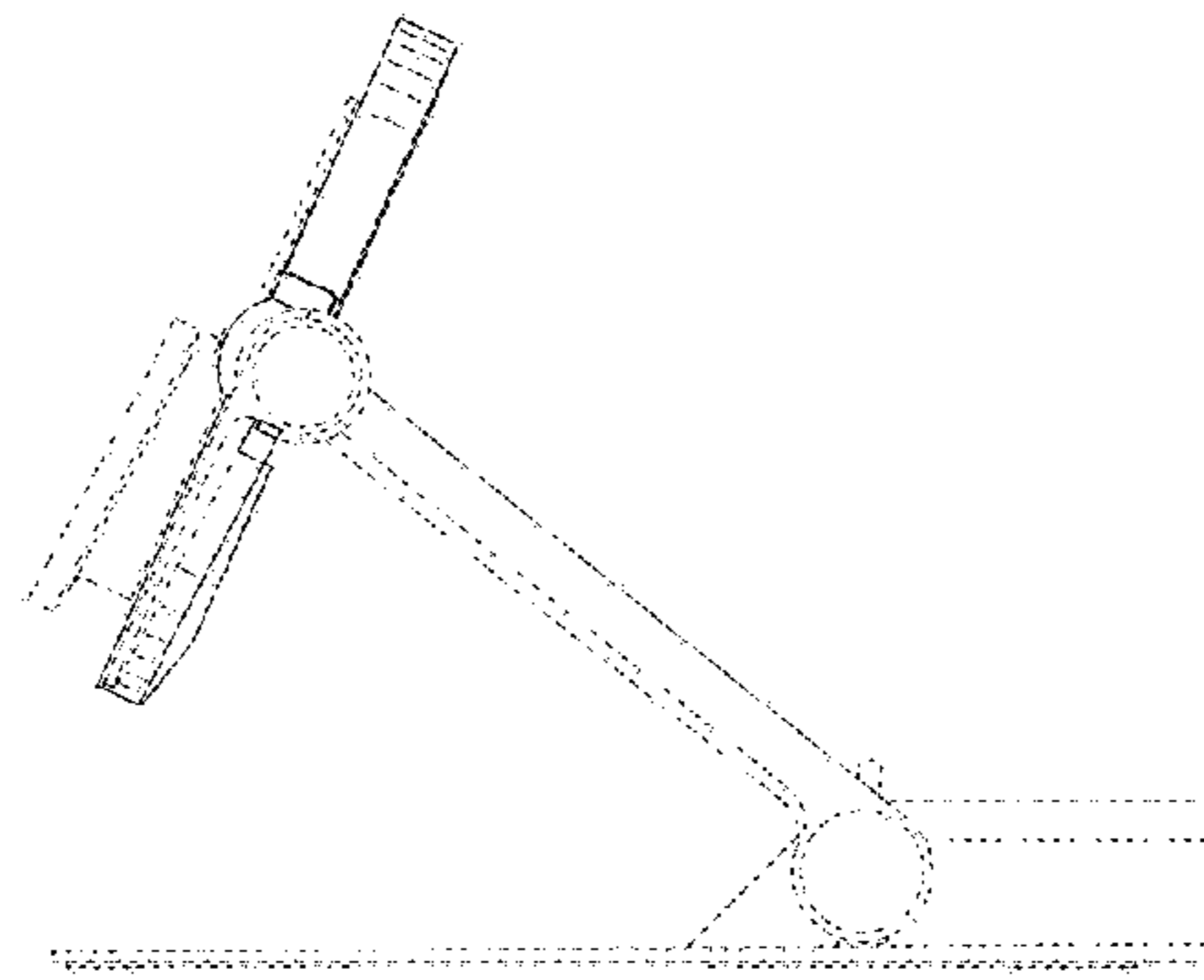


FIG. 8

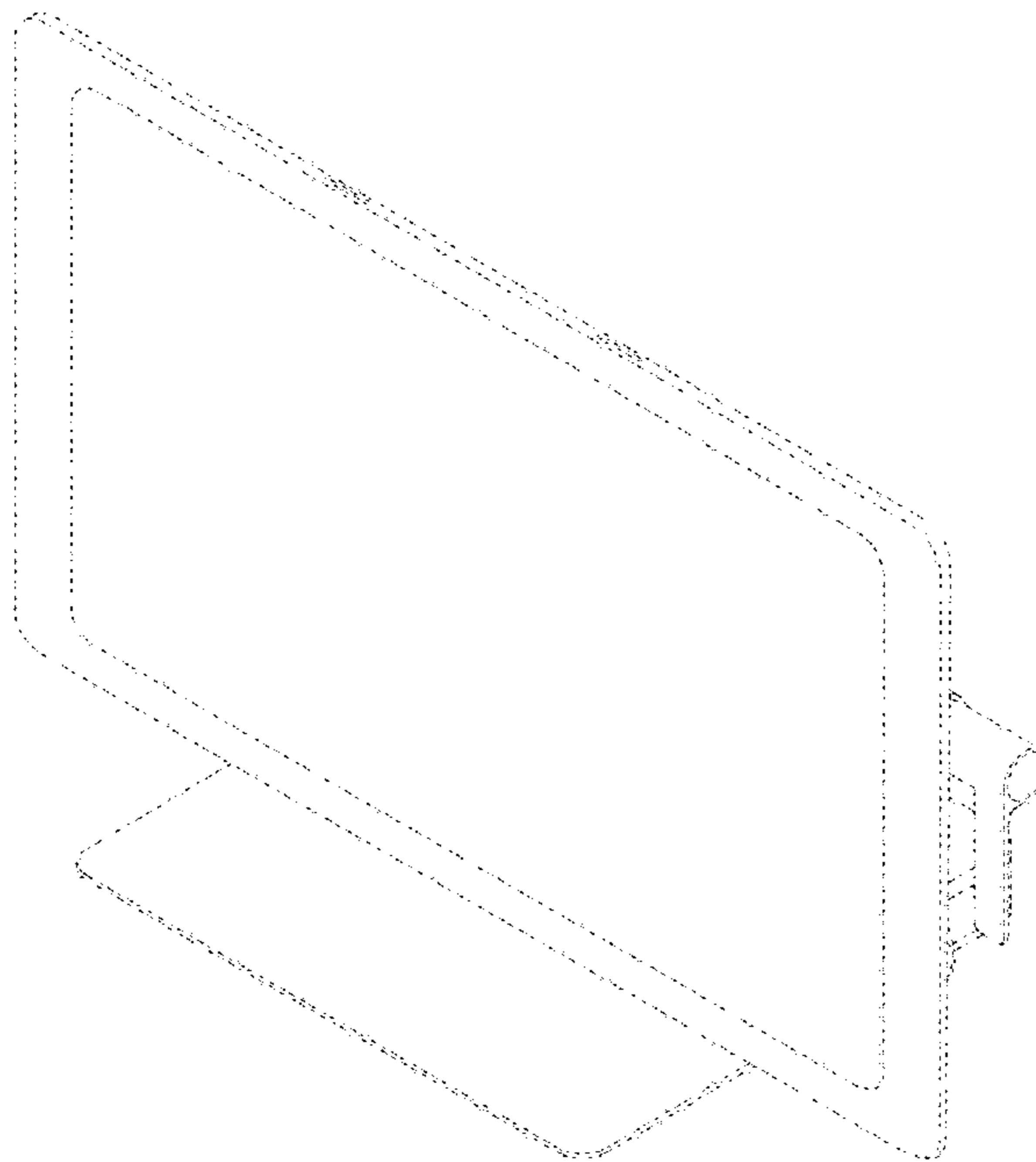


FIG. 9