



US00D849750S

(12) **United States Design Patent** (10) **Patent No.:** **US D849,750 S**  
**Armstrong et al.** (45) **Date of Patent:** **\*\* May 28, 2019**

(54) **CASE FOR A COMPUTING DEVICE**

(71) Applicant: **URBAN ARMOR GEAR, LLC,**  
Laguna Niguel, CA (US)

(72) Inventors: **Steven Armstrong,** Laguna Niguel, CA  
(US); **Duong Bang Le,** West Covina,  
CA (US)

(73) Assignee: **URBAN ARMOR GEAR, LLC,**  
Laguna Niguel, CA (US)

(\*\*) Term: **15 Years**

(21) Appl. No.: **29/599,318**

(22) Filed: **Mar. 31, 2017**

(51) **LOC (11) Cl.** ..... **14-02**

(52) **U.S. Cl.**  
USPC ..... **D14/440**

(58) **Field of Classification Search**  
USPC ..... D14/440; 206/45.23, 320, 45.2;  
361/679.55; 294/25; 224/218  
CPC ... G06F 1/1628; G06F 1/1626; A47B 23/044;  
H04B 1/3888; H05K 5/0217  
See application file for complete search history.

(56) **References Cited**

**U.S. PATENT DOCUMENTS**

5,299,685	A	4/1994	Chin	
D635,555	S *	4/2011	Giles	D14/217
D641,756	S *	7/2011	Hsieh	D14/440
D651,606	S *	1/2012	Luijben	D14/250
D661,646	S *	6/2012	Son	D13/108
D668,660	S *	10/2012	Norfolk	D14/440
D670,702	S *	11/2012	Zhang	D14/440
D674,803	S *	1/2013	Westrup	A45C 3/02
				D14/440
D678,293	S *	3/2013	Meehan	D14/440
D687,440	S *	8/2013	Shieh	D14/447
D695,298	S *	12/2013	Han	D14/440
D704,194	S *	5/2014	Young	D14/440
D717,804	S *	11/2014	Budge	D14/447

D718,316	S *	11/2014	Veltz	D14/440
D719,144	S *	12/2014	Eulette	D14/250
D719,951	S *	12/2014	Fenton	D14/253
D725,119	S *	3/2015	Gaylord	D14/440

(Continued)

**OTHER PUBLICATIONS**

International Search Report for International Application No. PCT/  
US18/33514, dated Oct. 21, 2018, 3 pages.  
(Continued)

*Primary Examiner* — Cynthia R Underwood  
(74) *Attorney, Agent, or Firm* — Greenberg Traurig LLP

(57) **CLAIM**

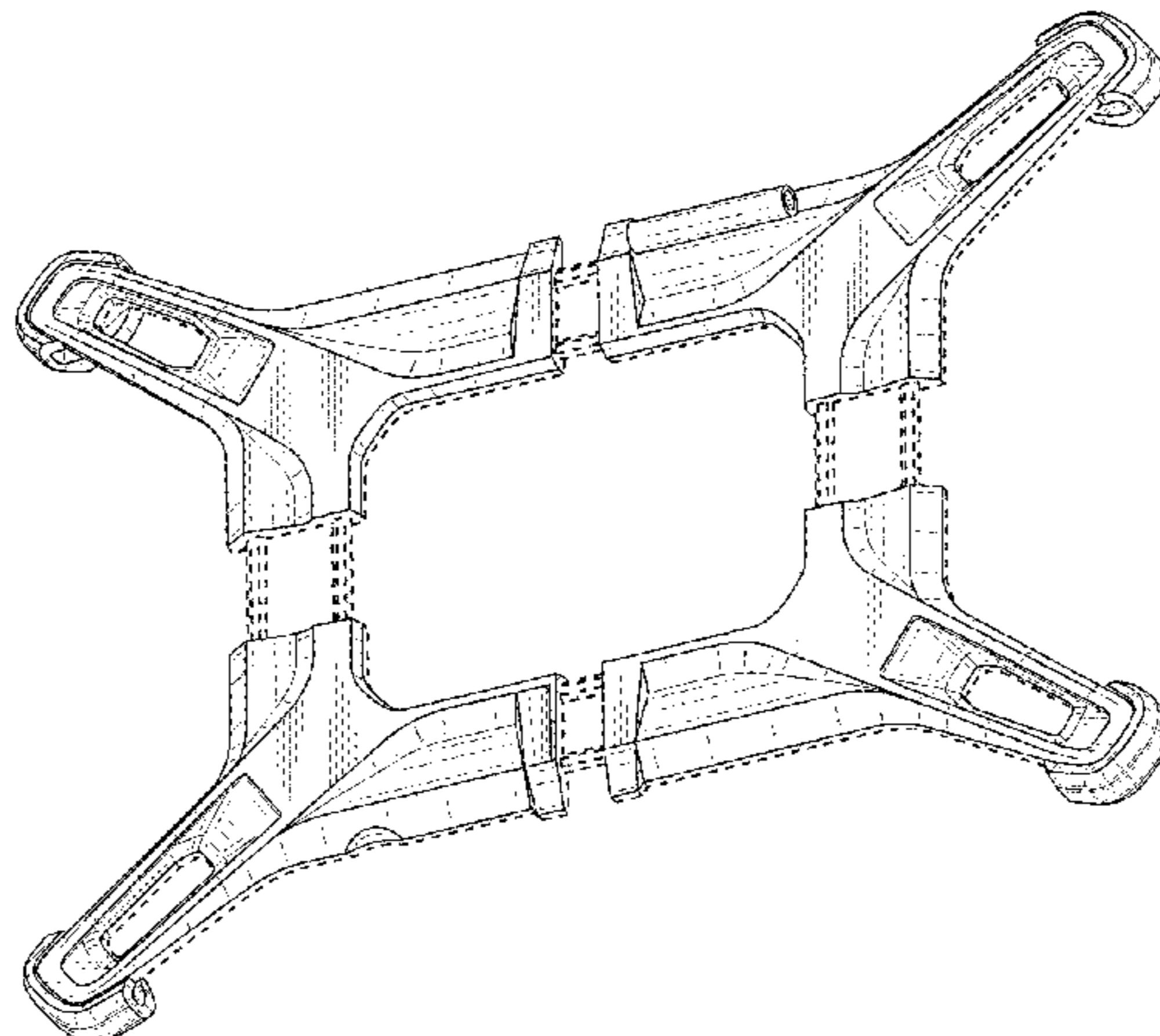
We claim the ornamental design for a case for a computing device, as shown and described.

**DESCRIPTION**

FIG. 1 is an upper perspective view of the case for a computing device;  
FIG. 2 is a lower perspective view of the case for a computing device shown in FIG. 1;  
FIG. 3 is a front plan view of the case for a computing device shown in FIG. 1;  
FIG. 4 is rear plan view of the case for a computing device shown in FIG. 1;  
FIG. 5 is a left plan view of the case for a computing device shown in FIG. 1;  
FIG. 6 is a right plan view of the case for a computing device shown in FIG. 1;  
FIG. 7 is a top plan view of the case for a computing device shown in FIG. 1; and,  
FIG. 8 is a bottom plan view of the case for a computing device shown in FIG. 1.

The subject matter shown in dashed lines, and any surfaces of the design not shown, including interior surfaces, form no part of the claimed design.

**1 Claim, 8 Drawing Sheets**



(56)

**References Cited**

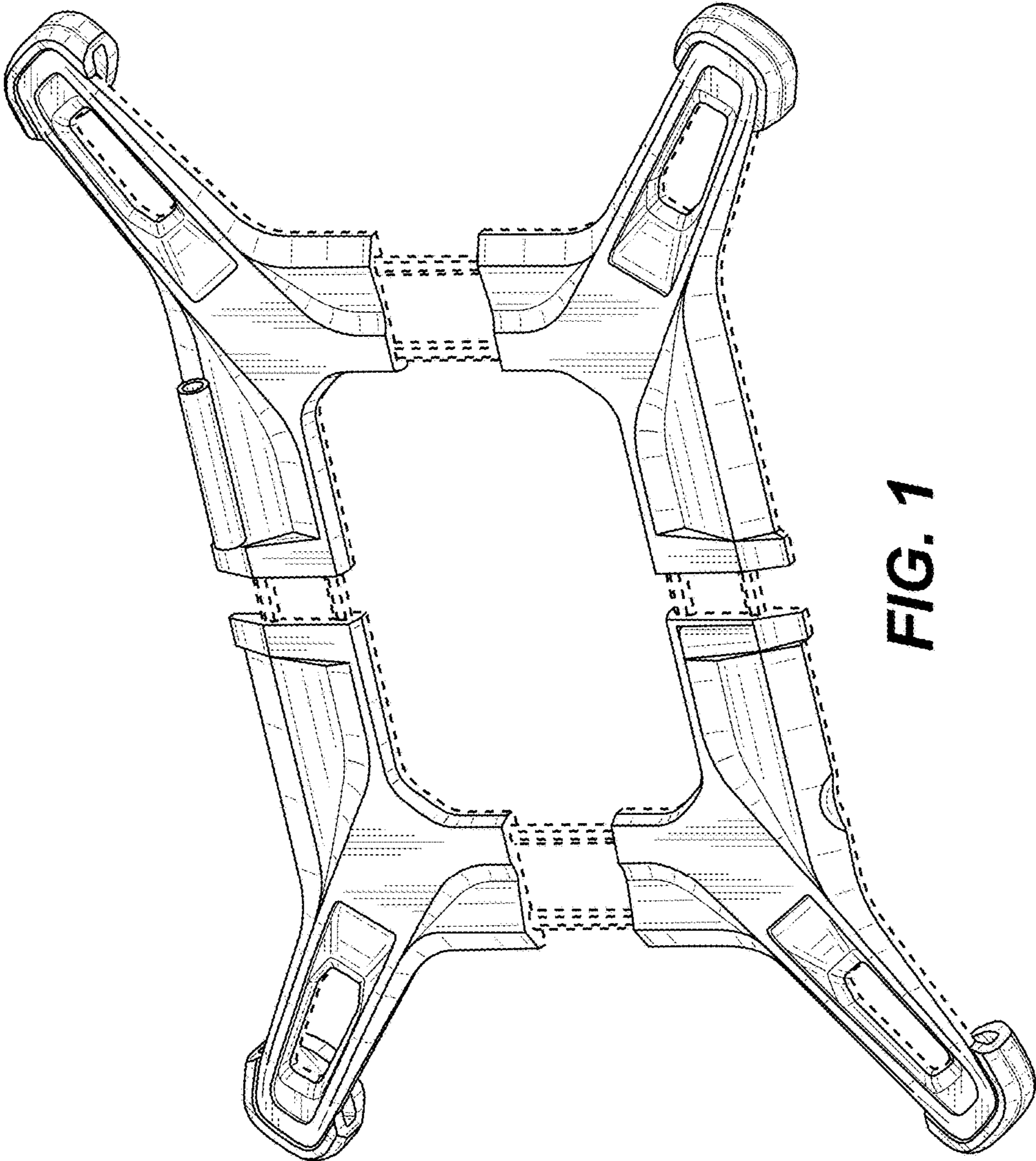
U.S. PATENT DOCUMENTS

D726,732	S *	4/2015	Lay	.....	D14/440
9,229,494	B2 *	1/2016	Rayner	.....	G06F 1/163
D748,634	S *	2/2016	Hofer	.....	D14/440
9,317,076	B2 *	4/2016	Rayner	.....	G06F 1/163
D757,731	S *	5/2016	Nguyen	.....	D14/440
D766,247	S *	9/2016	Burmester	.....	D14/440
D795,263	S *	8/2017	Fujioka	.....	D14/440
D795,880	S *	8/2017	Akana	.....	D14/440
D798,302	S *	9/2017	Burmester	.....	D14/440
D800,107	S *	10/2017	Godycki	.....	D14/250
9,847,806	B1 *	12/2017	Dickie	.....	H04B 1/3888
D835,088	S *	12/2018	Zhuang	.....	D14/250
2003/0222149	A1 *	12/2003	Solomon	.....	G06F 1/1669 235/472.01
2011/0192743	A1	8/2011	May		
2012/0043247	A1 *	2/2012	Westrup	.....	A45C 3/02 206/472
2012/0193496	A1 *	8/2012	Li	.....	F16M 11/041 248/316.1
2013/0213838	A1	8/2013	Tsai		
2015/0156900	A1 *	6/2015	Yeh	.....	H04B 1/3888 312/223.1
2016/0135560	A1 *	5/2016	Yeh	.....	H04M 1/185 224/581

OTHER PUBLICATIONS

Written Opinion for International Application No. PCT/US18/33514, dated Oct. 21, 2018, 5 pages.

\* cited by examiner



**FIG. 1**

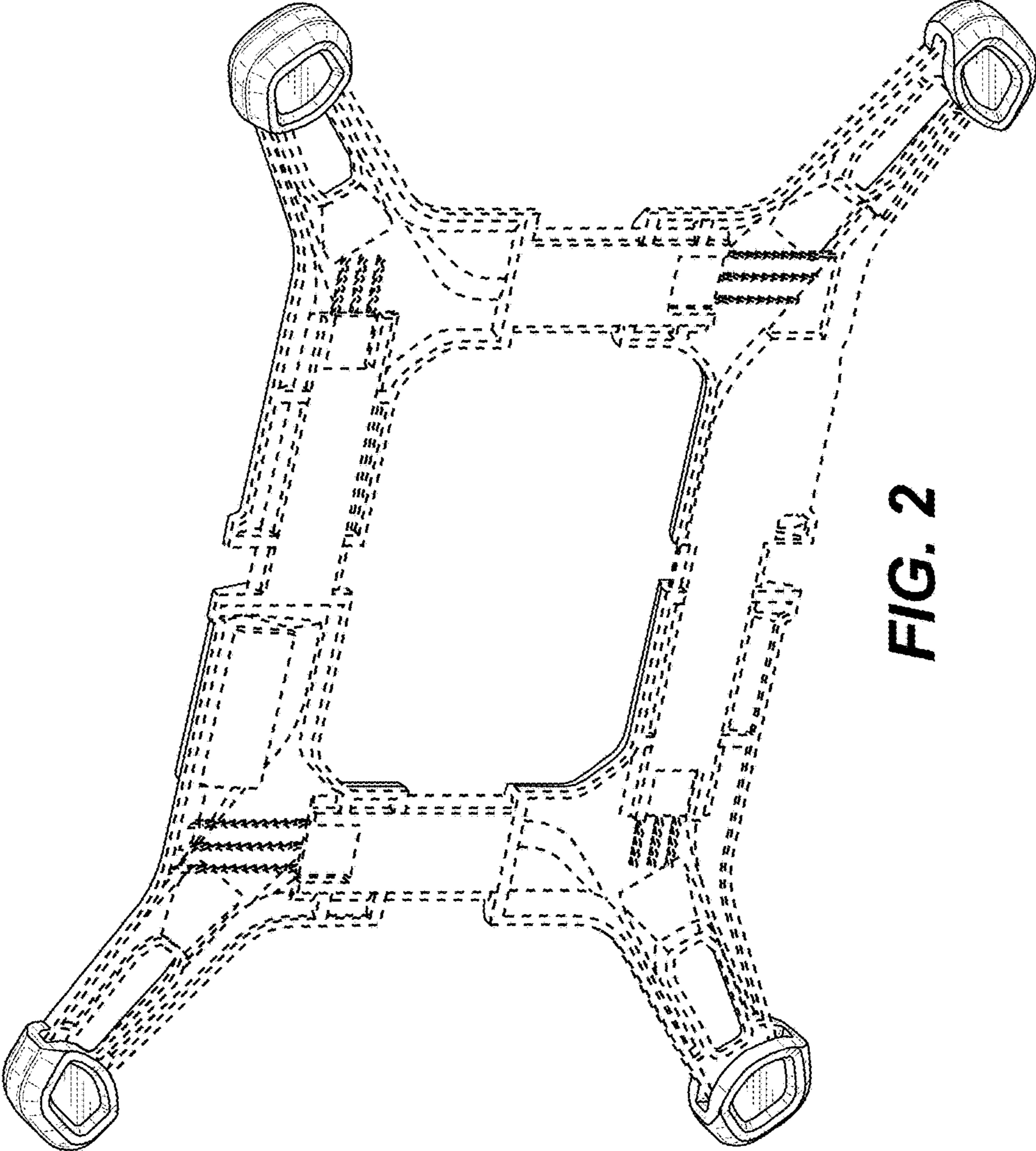
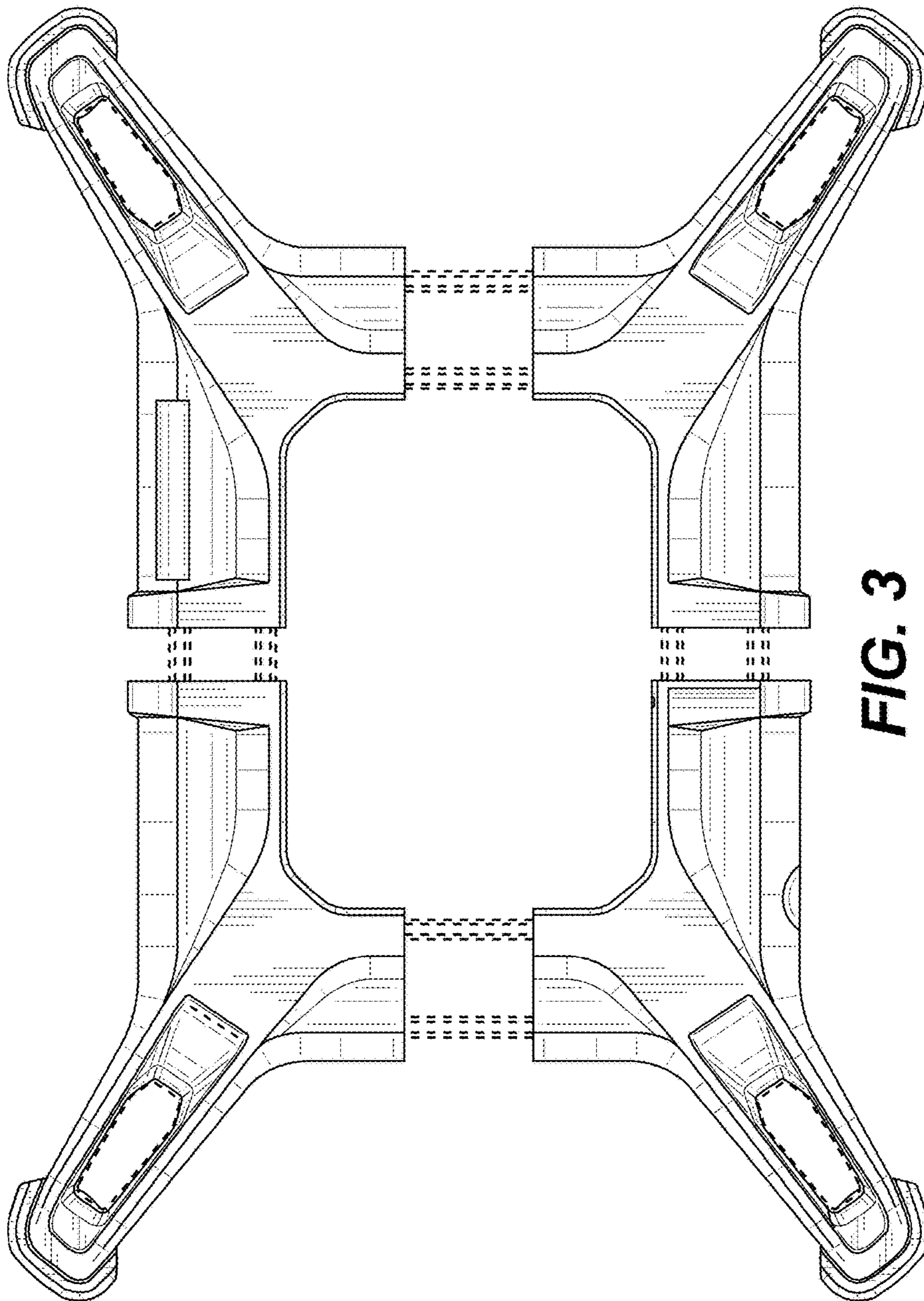
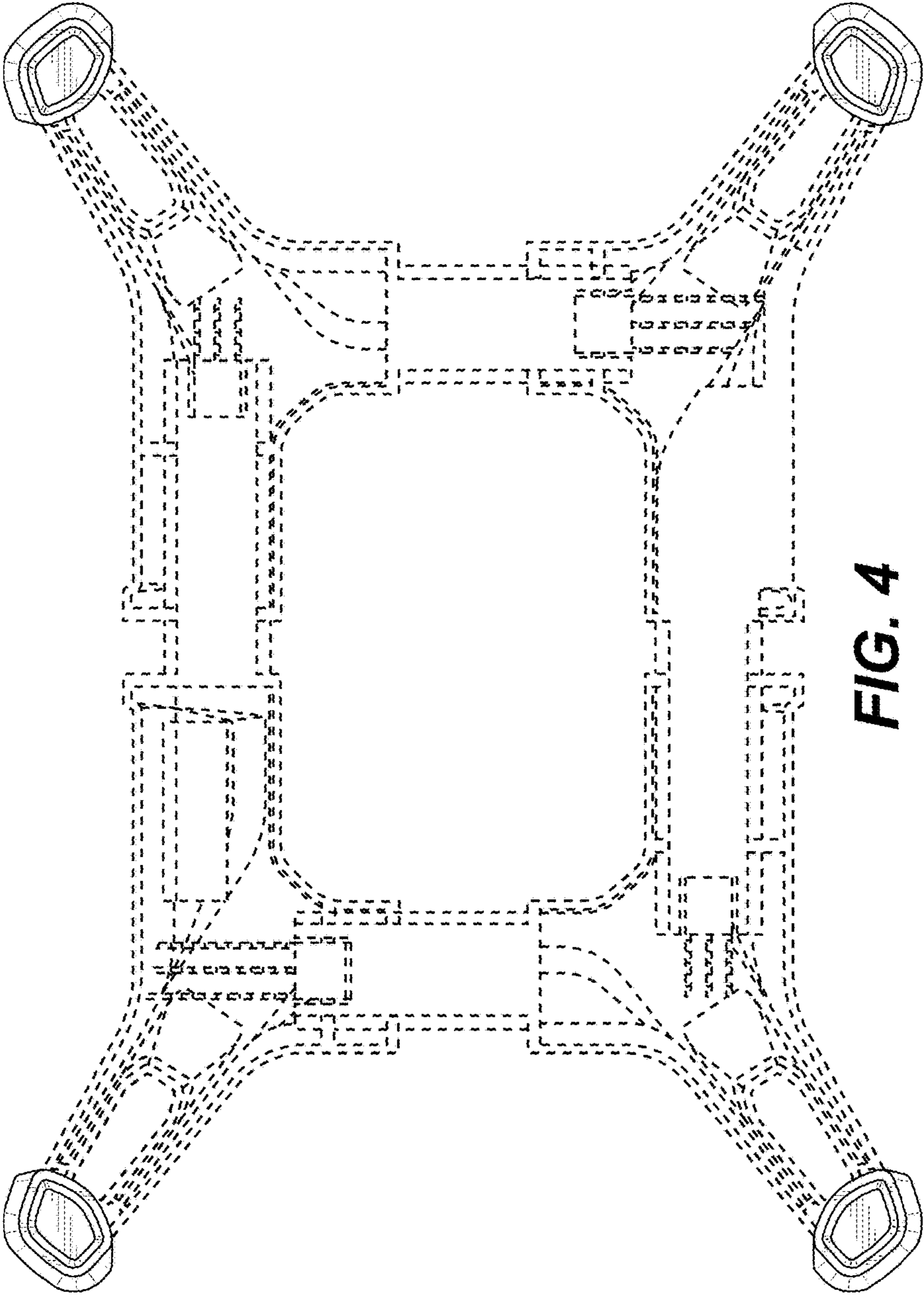


FIG. 2



**FIG. 3**



**FIG. 4**

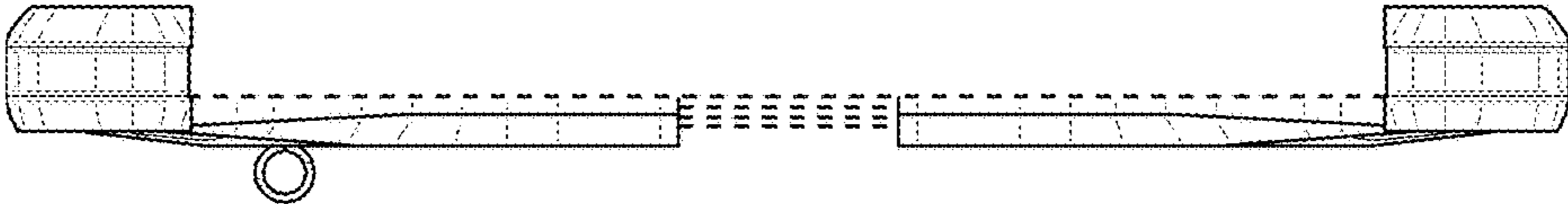
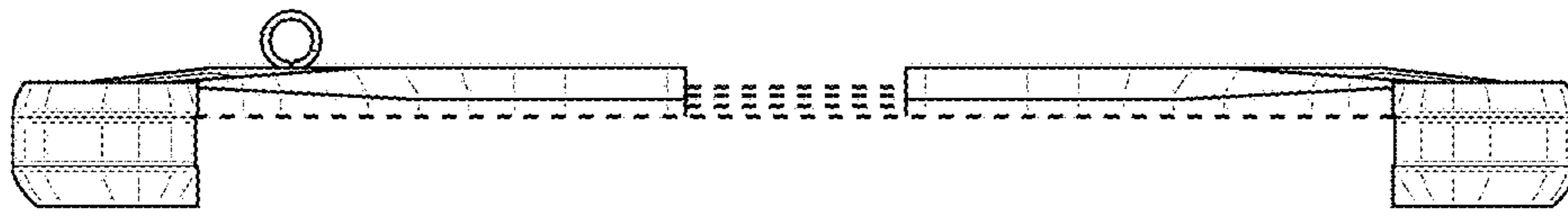
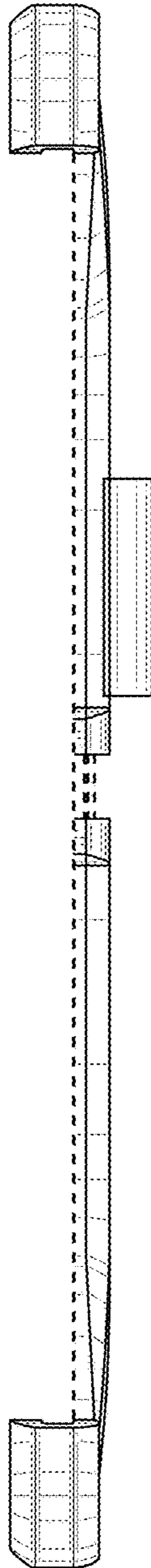


FIG. 5

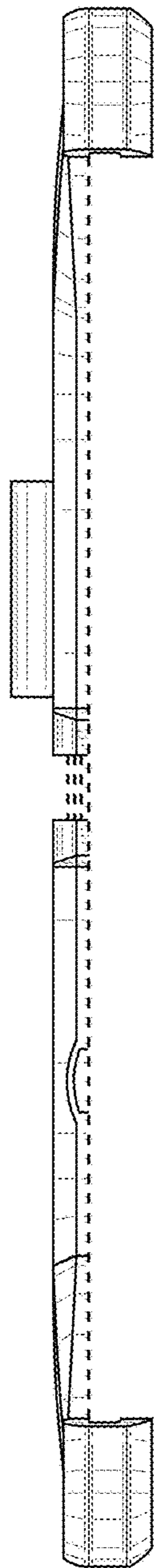


**FIG. 6**





**FIG. 7**



**FIG. 8**