



US00D849747S

(12) **United States Design Patent**
Volta et al.

(10) **Patent No.:** **US D849,747 S**
(45) **Date of Patent:** **** May 28, 2019**

(54) **PORTABLE TERMINAL**

D24/185; D8/68; 348/47, 49, E13.074;
702/85, 94, 95, 127, 150-168, 189;
356/601-613, 625-640

(71) Applicant: **Datalogic IP Tech S.r.l.**, Lippo di
Calderara di Reno (IT)

CPC G06F 1/626; G06F 1/1626; G06F 1/1656;
G06F 1/1632; G06F 1/1684; G06F
1/1635; G06F 8/63; G06F 17/30091;
G06F 9/4401; G06K 7/10881; G06K
7/1098; G06K

(72) Inventors: **Romano Volta**, Bologna (IT); **Claudio
Mazzone**, Valsamoggia (IT); **Joseph
Mistkawi**, Bologna (IT); **Paolo Zanon**,
Modena (IT); **Mauro Pecorari**, Porto
Potenza Picena (IT); **Manlio Galanti**,
San Giovanni in Persiceto (IT);
Giuseppe Di Bari, Bologna (IT);
Monica Alegiani, Silvi (IT)

(Continued)

(56)

References Cited

U.S. PATENT DOCUMENTS

(73) Assignee: **DATALOGIC IP TECH S.R.L.**, Lippo
di Calderara di Reno (Bologna) (IT)

D470,145 S * 2/2003 Schlieffers D14/428
D518,057 S * 3/2006 Johnson D14/428

(Continued)

(**) Term: **15 Years**

Primary Examiner — Susan Moon Lee

(21) Appl. No.: **29/633,232**

(74) *Attorney, Agent, or Firm* — Duane Morris LLP

(22) Filed: **Jan. 12, 2018**

(57)

CLAIM

We claim the ornamental design for a portable terminal, as
shown and described.

(30) **Foreign Application Priority Data**

DESCRIPTION

Jun. 5, 2017 (EM) 004032241

(51) **LOC (11) Cl.** **14-02**

(52) **U.S. Cl.**
USPC **D14/428**

(58) **Field of Classification Search**
USPC D14/420, 426-430, 453, 346, 341, 347,
D14/412, 138; D13/107, 184; 358/473;
235/462.43, 462.45, 462.47, 462.48,
235/462.44, 462.46, 487, 472, 1, 472.02,
235/145 A, 145 R, 462.21, 462.42,
235/462.01, 462.35; D10/78, 70;
324/426; D3/273; 710/73; D18/7;
361/679, 728, 679.56; 382/313, 312, 276,
382/285-295, 314-325; 455/575.1, 561,
455/572; 345/156, 168, 169, 172, 173,
345/87; 705/17, 18, 22-25; D26/45-51;

FIG. 1 is a perspective front view of a portable terminal
according to the present invention.

FIG. 2 is right side elevation view of the portable terminal
of FIG. 1.

FIG. 3 is a left side elevation view of the portable terminal
of FIG. 1.

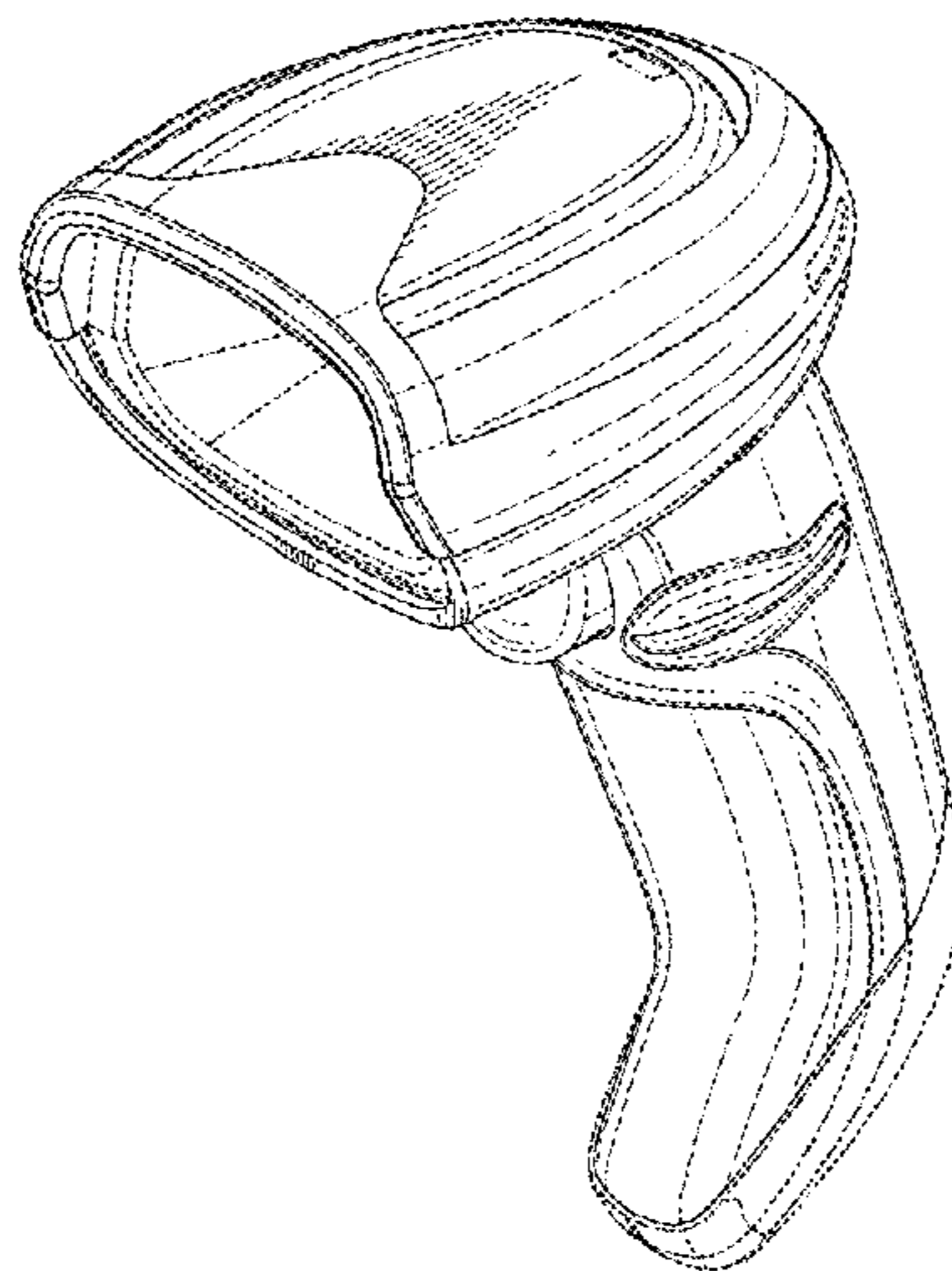
FIG. 4 is a rear elevation view of the portable terminal of
FIG. 1.

FIG. 5 is a front elevation view of the portable terminal of
FIG. 1.

FIG. 6 is a top view of the portable terminal of FIG. 1; and,
FIG. 7 is a bottom view of the portable terminal of FIG. 1.

The broken lines depict unclaimed features of the portable
terminal, shown for purposes of illustration, and form no
part of the claimed design.

1 Claim, 7 Drawing Sheets



(58) **Field of Classification Search**

CPC 7/10722; G06K 7/1404; G06K 7/0004; G06K 7/10633; G06K 7/10693; G06K 7/10544; G06K 7/10732; G06K 7/14; G06K 7/1413; G06K 7/10831; G06K 7/10851; G06K 7/1091; G06K 7/1092; G06K 7/1093; G06K 7/10; G06K 7/109; G06K 7/1417; G06K 9/228; G06K 17/0022; G06K 17/00; G06K 2207/1011; G06K 2207/1013; G06K 2207/1016; G06K 2207/1018; G06K 2017/0051; G06K 2017/0067; G06K 2007/10524; G06K 19/06018; G06K 19/06028; G06K 19/06037; G07G 1/0081; G07G 1/009; G06Q 20/20; G06Q 20/201; G06Q 20/202; G06Q 20/203; G06Q 20/30; G06Q 20/32; G06Q 20/322; G06Q 20/4014; G06Q 10/087; H04N 1/00127; H04N 1/00135; H04N 1/00326; H04N 1/00334; H04N 1/00307; H04N 1/107; H04N 2201/0084; H04N 2101/00; H04M 1/0249; H04M 1/0262; H04M 1/0266; H04M 1/18; H04M 1/23; H04M 1/236; H04B 1/3827; H04B 1/3833; H04B 1/3877; H04B 1/3883; H04B 1/3888; H04B 2001/3894; H01M 2/1066; G01B 11/2513; G01C 11/02; G01C 11/025

See application file for complete search history.

(56) **References Cited**

U.S. PATENT DOCUMENTS

D570,843 S 6/2008 Mazzone et al.
 D588,596 S 3/2009 Mazzone et al.
 D599,799 S 9/2009 Di Bari et al.
 D606,076 S 12/2009 Di Bari et al.
 D606,544 S 12/2009 Di Bari et al.
 D677,258 S * 3/2013 Mistkawi D14/426
 D682,277 S 5/2013 Tasselli et al.
 D702,238 S 4/2014 Alegiani et al.
 D723,563 S * 3/2015 Alegiani D14/426
 D730,357 S * 5/2015 Fitch D14/426
 9,800,749 B1 * 10/2017 Tan H04N 1/00816
 D804,482 S * 12/2017 Jenkins D14/428
 D822,027 S * 7/2018 Jenkins D14/428

2009/0140052 A1* 6/2009 Liu G06K 7/10732
 235/462.42
 2011/0132984 A1* 6/2011 Fletcher F16M 11/10
 235/454
 2012/0287332 A1* 11/2012 Fjellstad G06K 7/10732
 348/362
 2012/0319645 A1* 12/2012 O'Donnell H02J 7/025
 320/108
 2013/0214048 A1* 8/2013 Wilz, Sr. G06K 7/10584
 235/462.1
 2013/0292474 A1* 11/2013 Xian G06K 7/10851
 235/462.26
 2013/0306730 A1* 11/2013 Brady G06K 7/10792
 235/455
 2013/0306734 A1* 11/2013 Xian G06K 7/1408
 235/462.33
 2013/0313325 A1* 11/2013 Wilz, Sr. G06K 7/10801
 235/462.25
 2013/0327834 A1* 12/2013 Hennick G06K 7/10831
 235/462.36
 2014/0048684 A1* 2/2014 Barkan G06K 7/10722
 250/208.1
 2014/0059414 A1* 2/2014 He G06K 9/00449
 715/222
 2014/0089121 A1* 3/2014 Kaminsky G07G 1/0081
 705/23
 2014/0091147 A1* 4/2014 Evans G06K 7/10881
 235/472.02
 2014/0117092 A1* 5/2014 Vinogradov G06K 7/10732
 235/462.21
 2014/0144978 A1* 5/2014 Sun G06K 7/10544
 235/375
 2014/0197239 A1* 7/2014 Havens G06K 7/10623
 235/462.38
 2014/0246496 A1* 9/2014 Brock G06K 7/10722
 235/472.01
 2014/0361082 A1* 12/2014 Xian G06K 7/10821
 235/455
 2015/0034724 A1* 2/2015 He G06K 7/1443
 235/462.08
 2015/0102109 A1* 4/2015 Huck G06K 7/109
 235/462.14
 2015/0193645 A1* 7/2015 Colavito G06K 7/10881
 235/472.01
 2015/0379838 A1* 12/2015 Xie G08B 13/242
 340/572.3
 2016/0094070 A1* 3/2016 Mazzone H02J 7/0044
 320/115
 2017/0330008 A1* 11/2017 Suman G06K 7/10881

* cited by examiner

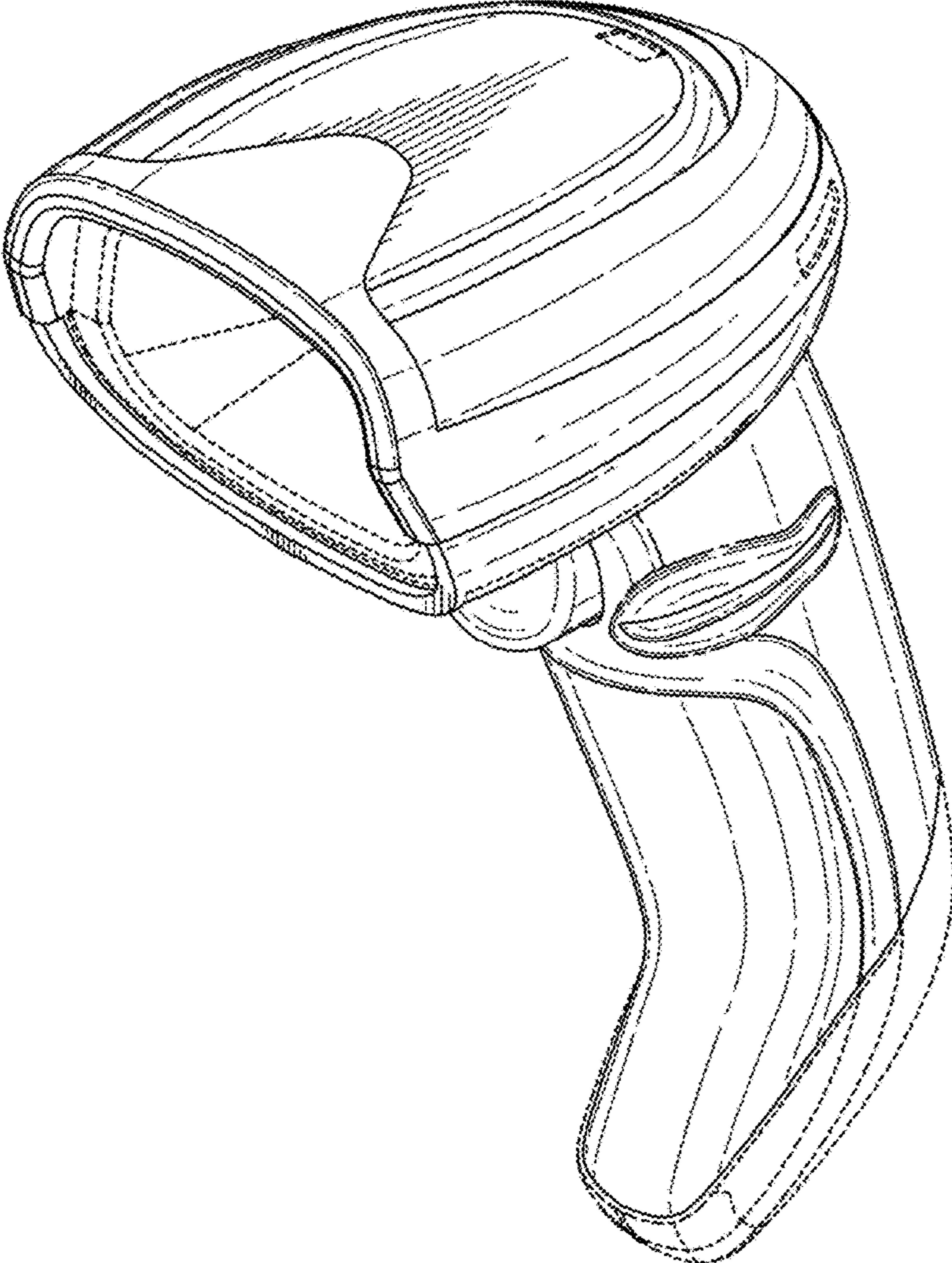


FIG. 1

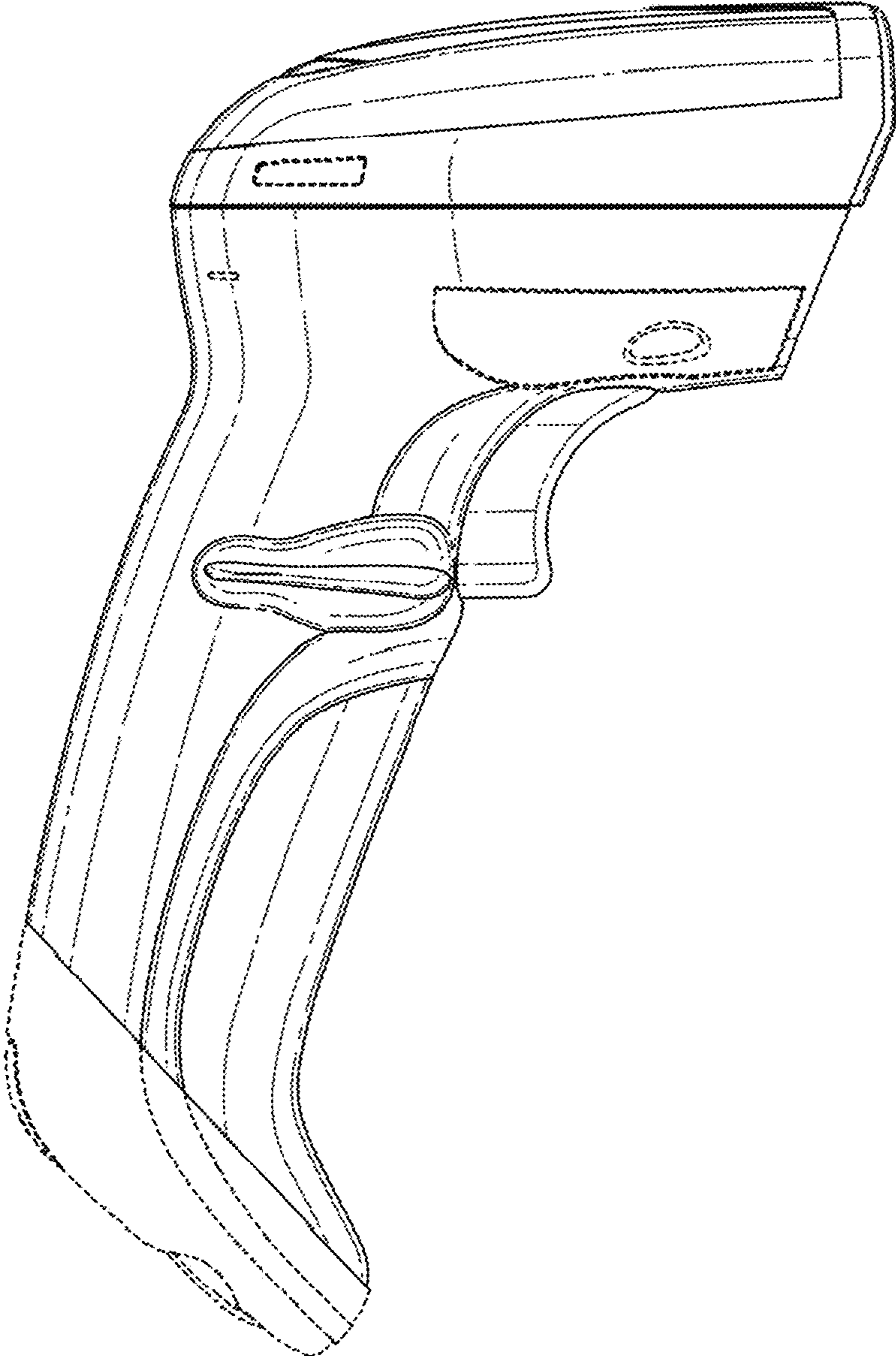


FIG. 2

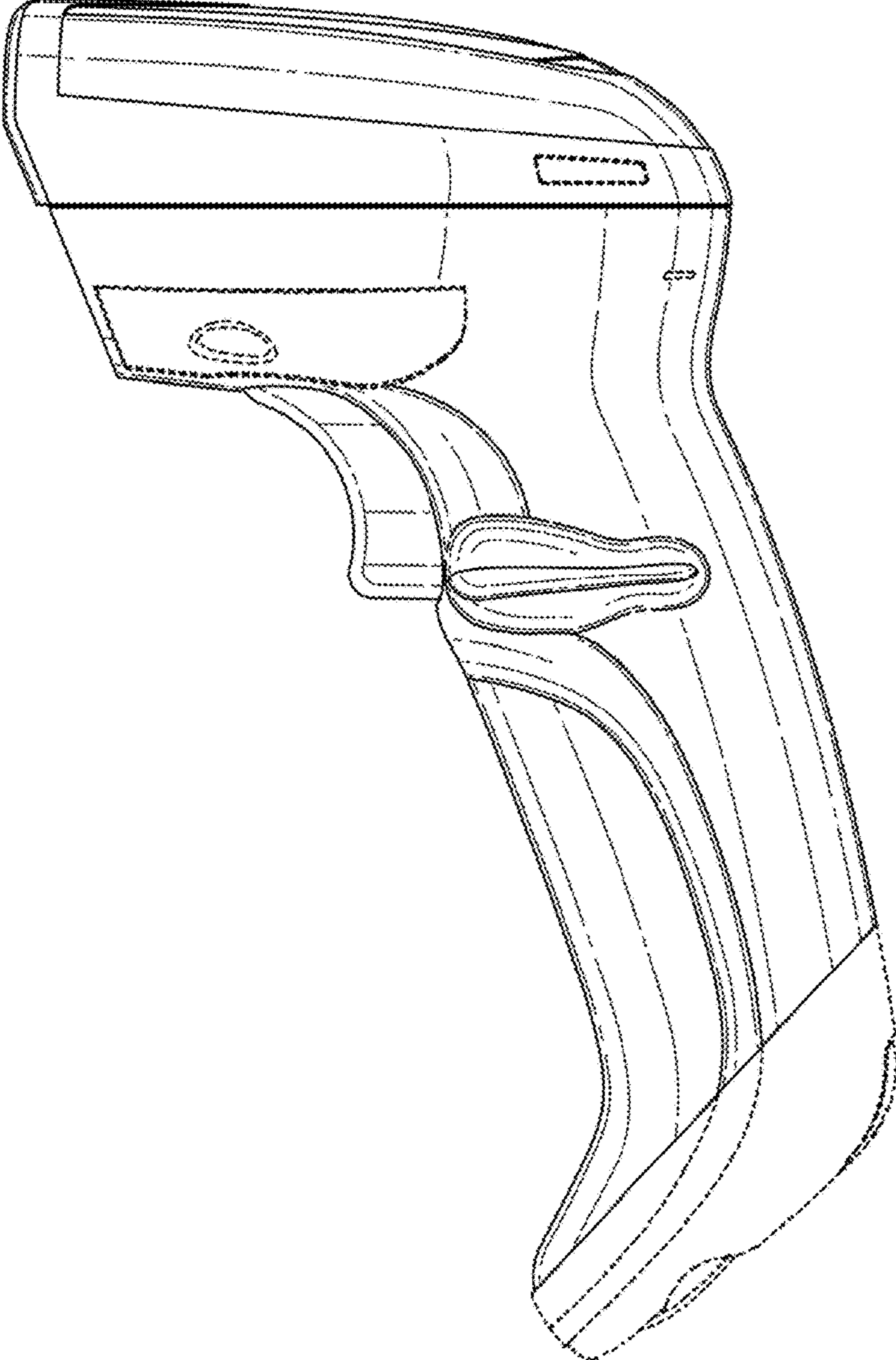


FIG. 3

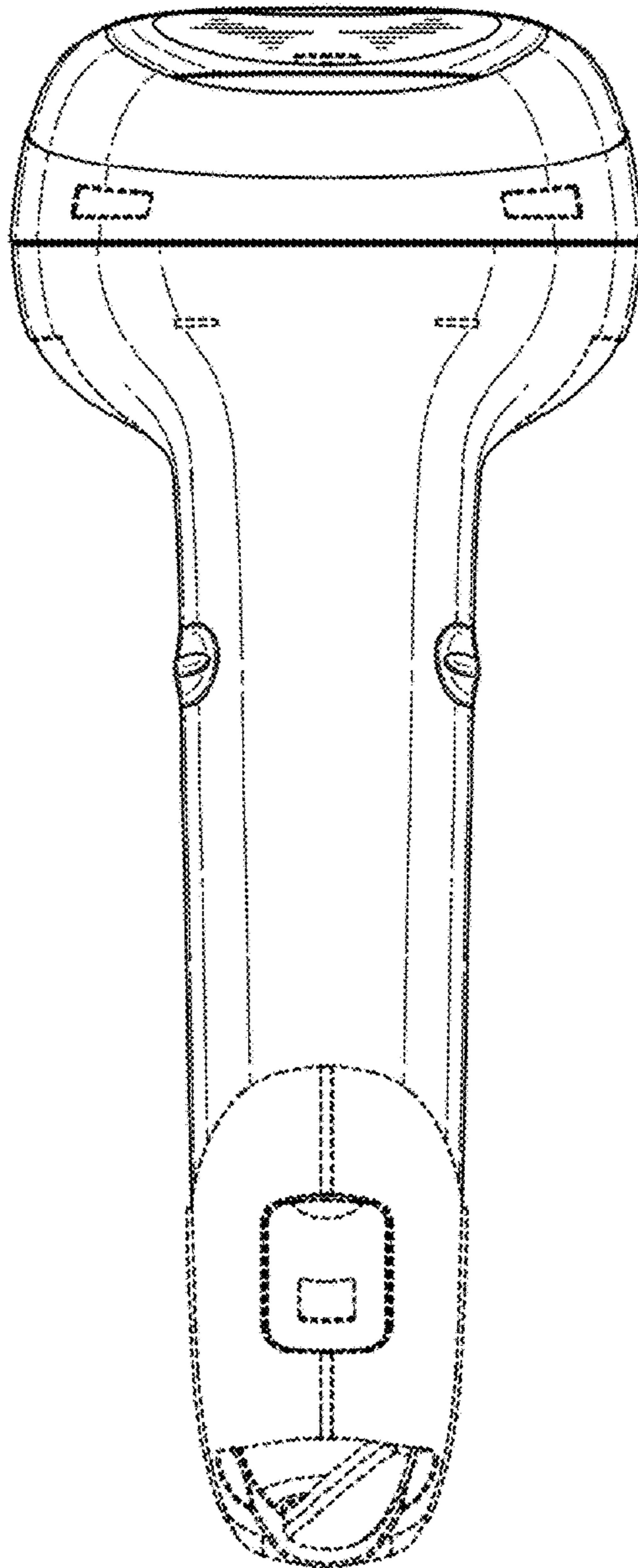


FIG. 4

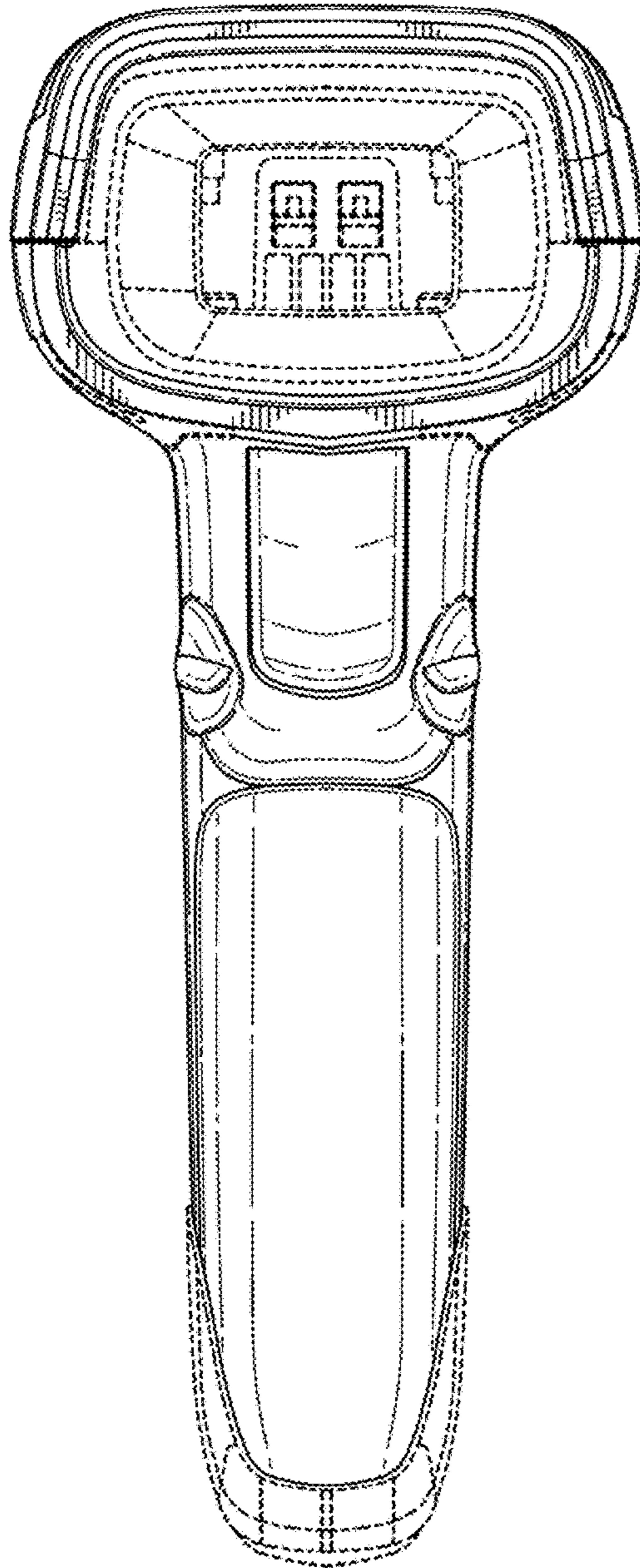


FIG. 5

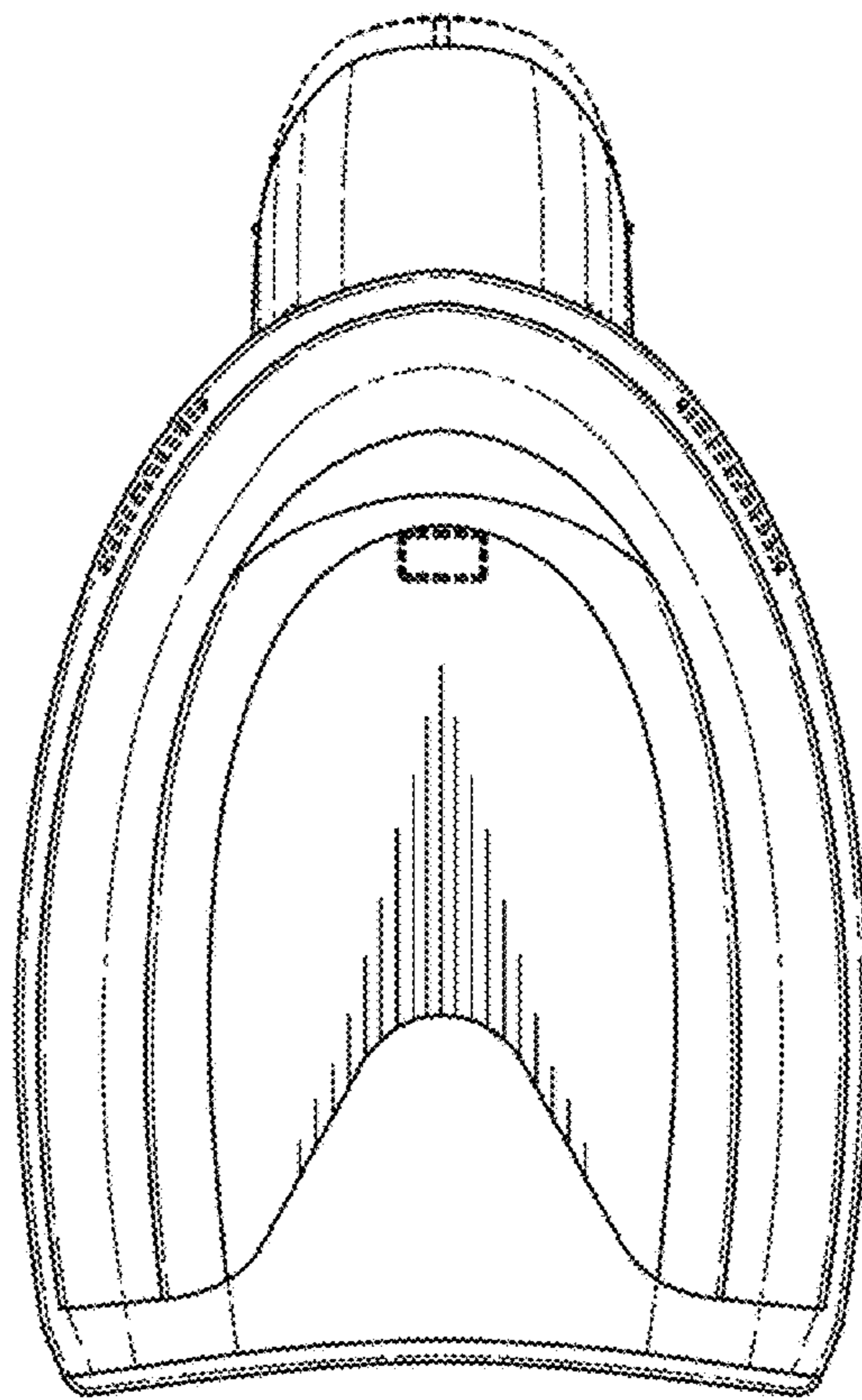


FIG. 6

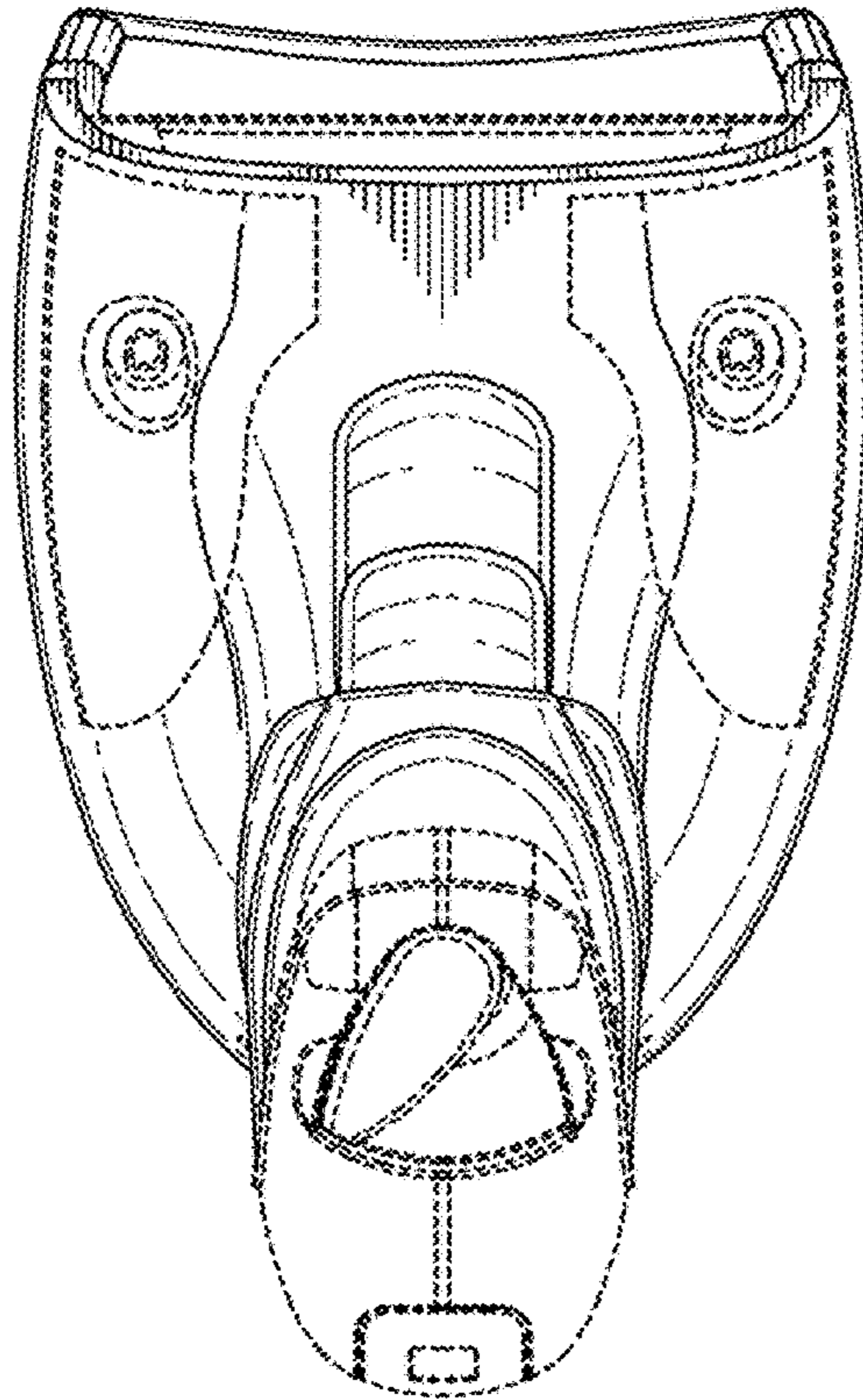


FIG. 7