



US00D849746S

(12) **United States Design Patent** (10) **Patent No.:** **US D849,746 S**
Sieckowski et al. (45) **Date of Patent:** **** May 28, 2019**

(54) **DATA CAPTURE DEVICE**

(71) Applicant: **SYMBOL TECHNOLOGIES, LLC**,
Lincolnshire, IL (US)

(72) Inventors: **Steven D. Sieckowski**, Port Jefferson,
NY (US); **Ian R. Jenkins**, Stony Brook,
NY (US)

(73) Assignee: **Symbol Technologies, LLC**, Holtsville,
NY (US)

(**) Term: **15 Years**

(21) Appl. No.: **29/631,735**

(22) Filed: **Jan. 2, 2018**

(51) **LOC (11) Cl.** **14-02**

(52) **U.S. Cl.**
USPC **D14/428**

(58) **Field of Classification Search**
USPC D14/420, 426-430, 453, 346, 341, 347,
D14/412, 138; D13/107, 184; 358/473;
235/462.43, 462.45, 462.47, 462.48,
235/462.44, 462.46, 487, 472.01, 472.02,
235/145 A, 145 R, 462.21, 462.42,
235/462.01, 462.35; D10/78, 70;
324/426; D3/273; 710/73; D18/7;
361/679, 728, 679.56; 382/313, 312, 276,
382/285-295, 314-325; 455/575.1, 561,
455/572; 345/156, 168, 169, 172, 173,
345/87; 705/17, 18, 22-25; D26/45-51;
D24/185, 137; D8/68; 348/47, 49,
348/E13.074; 702/85, 94, 95, 127,
702/150-168, 189; 356/601-613,
356/625-640

CPC G06F 1/626; G06F 1/1626; G06F 1/1656;
G06F 1/1632; G06F 1/1684; G06F
1/1635; G06F 8/63; G06F 17/30091;
G06F 9/4401; G06K 7/10881; G06K
7/1098; G06K 7/10722; G06K 7/1404;
G06K 7/0004; G06K 7/10633; G06K
7/10693; G06K 7/10544; G06K 7/10732;

G06K 7/14; G06K 7/1413; G06K
7/10831; G06K 7/10851; G06K 7/1091;
G06K 7/1092; G06K 7/1093; G06K 7/10;
G06K 7/109; G06K 7/1417; G06K 9/228;
G06K 17/0022; G06K 17/00; G06K
2207/1011; G06K 2207/1013; G06K
(Continued)

(56) **References Cited**

U.S. PATENT DOCUMENTS

D388,076 S * 12/1997 Swift D14/428
5,942,743 A * 8/1999 Schmidt G02B 26/106
235/462.01

(Continued)

Primary Examiner — Susan Moon Lee

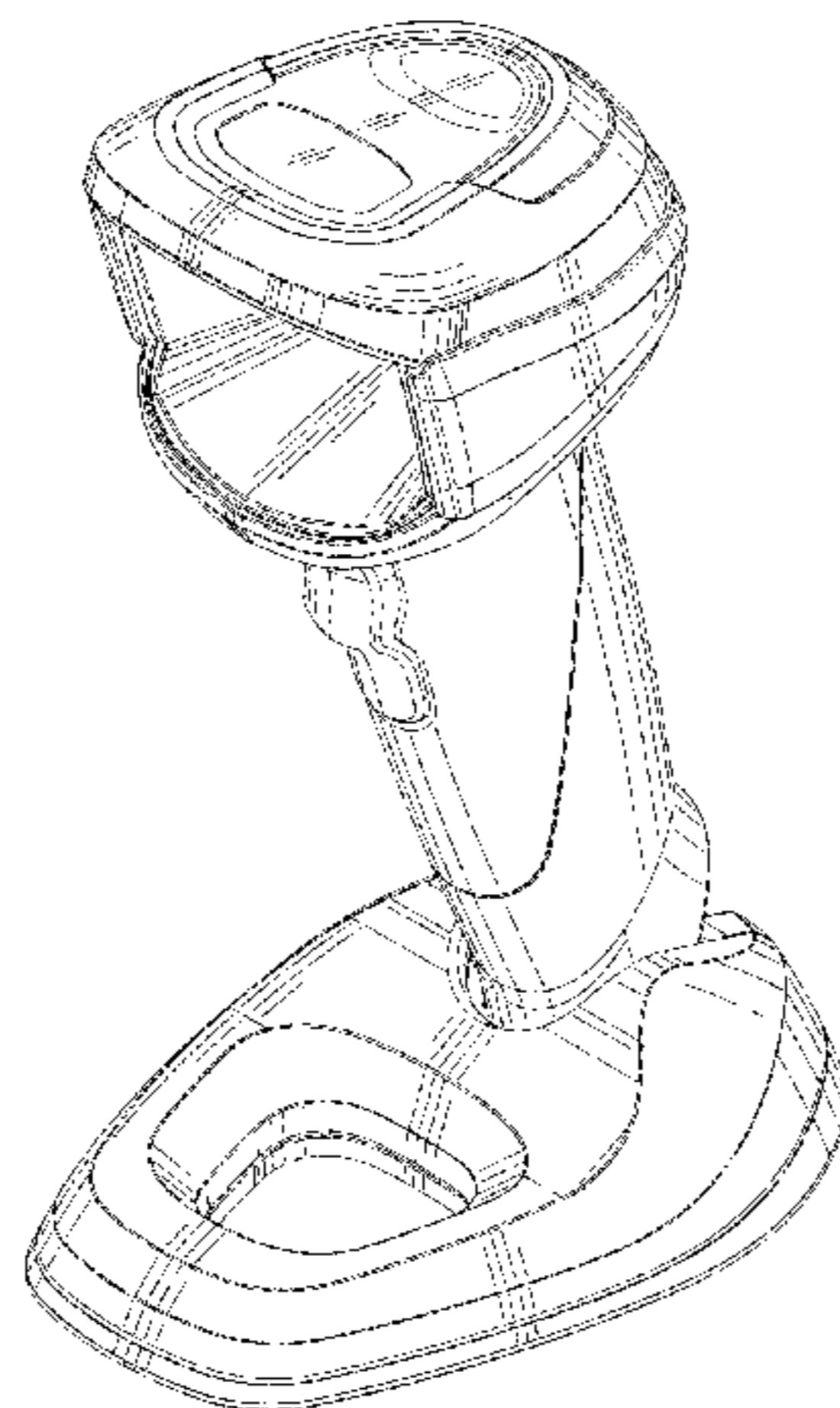
(57) **CLAIM**

We claim the ornamental design for a data capture device, as shown and described.

DESCRIPTION

FIG. 1 is a front perspective view of a data capture device;
FIG. 2 is a rear perspective view thereof;
FIG. 3 is a first side view thereof;
FIG. 4 is a second side view thereof;
FIG. 5 is a front view thereof;
FIG. 6 is a rear view thereof;
FIG. 7 is a top view thereof; and
FIG. 8 is a bottom view thereof.
FIG. 9 is a front perspective view of the data capture device,
shown without shading rendering lines;
FIG. 10 is a rear perspective view thereof;
FIG. 11 is a first side view thereof;
FIG. 12 is a second side view thereof;
FIG. 13 is a front view thereof;
FIG. 14 is a rear view thereof;
FIG. 15 is a top view thereof; and,
FIG. 16 is a bottom view thereof.

1 Claim, 14 Drawing Sheets



(58) **Field of Classification Search**

CPC 2207/1016; G06K 2207/1018; G06K 2017/0051; G06K 2017/0067; G06K 2007/10524; G06K 19/06018; G06K 19/06028; G06K 19/06037; G07G 1/0081; G07G 1/009; G06Q 20/20; G06Q 20/201; G06Q 20/202; G06Q 20/203; G06Q 20/30; G06Q 20/32; G06Q 20/322; G06Q 20/4014; G06Q 10/087; H04N 1/00127; H04N 1/00135; H04N 1/00326; H04N 1/00334; H04N 1/00307; H04N 1/107; H04N 2201/0084; H04N 2101/00; H04M 1/0249; H04M 1/0262; H04M 1/0266; H04M 1/18; H04M 1/23; H04M 1/236; H04B 1/3827; H04B 1/3833; H04B 1/3877; H04B 1/3883; H04B 1/3888; H04B 2001/3894; H01M 2/1066; G01B 11/2513; G01C 11/02; G01C 11/025

See application file for complete search history.

(56) **References Cited**

U.S. PATENT DOCUMENTS

D414,171 S * 9/1999 Swift D14/428
 6,182,898 B1 * 2/2001 Schmidt C07K 14/205
 235/462.25
 6,410,931 B1 * 6/2002 Dvorkis G06K 7/10594
 235/462.01
 6,619,549 B2 * 9/2003 Zhu G06K 7/10881
 235/462.25
 6,860,427 B1 * 3/2005 Schmidt G02B 26/10
 235/462.14
 7,059,528 B2 * 6/2006 Barkan G06K 7/10613
 235/462.01
 D603,408 S * 11/2009 Fitch D14/426
 8,157,177 B1 * 4/2012 O'Donnell G06K 7/10386
 235/462.21
 8,421,604 B2 * 4/2013 Bellows G06K 7/0008
 340/12.26
 8,618,468 B2 * 12/2013 Drzymala G06K 7/10732
 250/221
 9,367,723 B1 * 6/2016 Drzymala G06K 7/10881
 10,025,966 B1 * 7/2018 Volta G06K 7/10217
 10,140,491 B1 * 11/2018 Barkan G06K 7/10851
 2004/0173684 A1 * 9/2004 Wilz, Sr. B82Y 15/00
 235/462.45
 2007/0017997 A1 * 1/2007 Talley G06K 7/10881
 235/462.43
 2008/0116281 A1 * 5/2008 Barkan G06K 7/10584
 235/472.01
 2008/0142604 A1 * 6/2008 Nunnink G06K 7/10732
 235/473

2008/0217411 A1 * 9/2008 Ledwith G06K 7/10881
 235/472.02
 2008/0277473 A1 * 11/2008 Kotlarsky G06K 7/10722
 235/462.07
 2009/0001171 A1 * 1/2009 Carlson G06K 7/10554
 235/462.41
 2009/0108076 A1 * 4/2009 Barkan G06K 7/0004
 235/462.48
 2009/0321525 A1 * 12/2009 Barkan G06K 7/10346
 235/472.01
 2010/0078479 A1 * 4/2010 Epshteyn G06K 7/10881
 235/455
 2010/0078483 A1 * 4/2010 Liu G06K 7/10732
 235/462.42
 2010/0258631 A1 * 10/2010 Rueblinger G06K 7/10881
 235/462.48
 2011/0069877 A1 * 3/2011 Vincenzi G06K 7/10881
 382/135
 2011/0073658 A1 * 3/2011 Vassura G06K 7/10881
 235/472.01
 2011/0096512 A1 * 4/2011 Klicpera G06K 7/10881
 361/747
 2011/0103004 A1 * 5/2011 Brock G06F 1/1632
 361/679.43
 2011/0121075 A1 * 5/2011 Bellows G06K 7/0004
 235/440
 2011/0278360 A1 * 11/2011 Shi G02B 26/005
 235/462.41
 2011/0290886 A1 * 12/2011 Carlson G06K 7/10722
 235/462.24
 2011/0290889 A1 * 12/2011 Tamburrini G06K 7/10881
 235/470
 2012/0006897 A1 * 1/2012 Barkan G06K 7/10722
 235/472.01
 2012/0104101 A1 * 5/2012 Handshaw G06K 7/10722
 235/462.41
 2012/0111945 A1 * 5/2012 Kearney G06K 7/10881
 235/462.11
 2012/0193423 A1 * 8/2012 Samek G06K 7/10821
 235/462.1
 2013/0161392 A1 * 6/2013 Goren G06K 7/10722
 235/455
 2013/0277431 A1 * 10/2013 DiGiovanna G06K 7/10881
 235/462.42
 2015/0102109 A1 * 4/2015 Huck G06K 7/109
 235/462.14
 2015/0144699 A1 * 5/2015 Sackett G06K 7/10831
 235/462.24
 2016/0350563 A1 * 12/2016 Ye G06K 7/109
 2017/0134614 A1 * 5/2017 Gurevich H04N 1/40056
 2017/0310856 A1 * 10/2017 Handshaw G03B 11/045
 2018/0285613 A1 * 10/2018 Volta G06K 7/10881
 2018/0293412 A1 * 10/2018 Volta G06K 7/10158

* cited by examiner

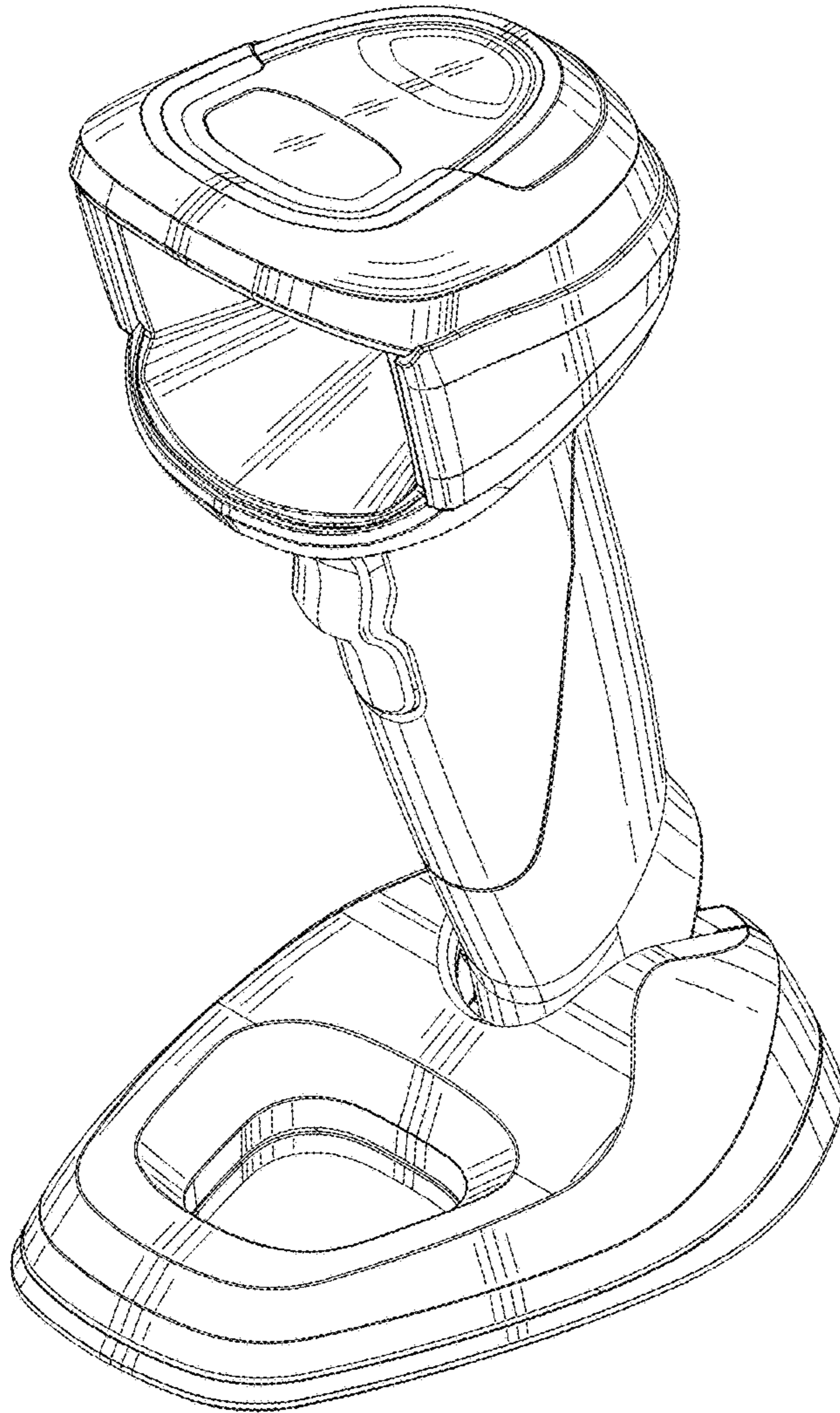


FIG. 1

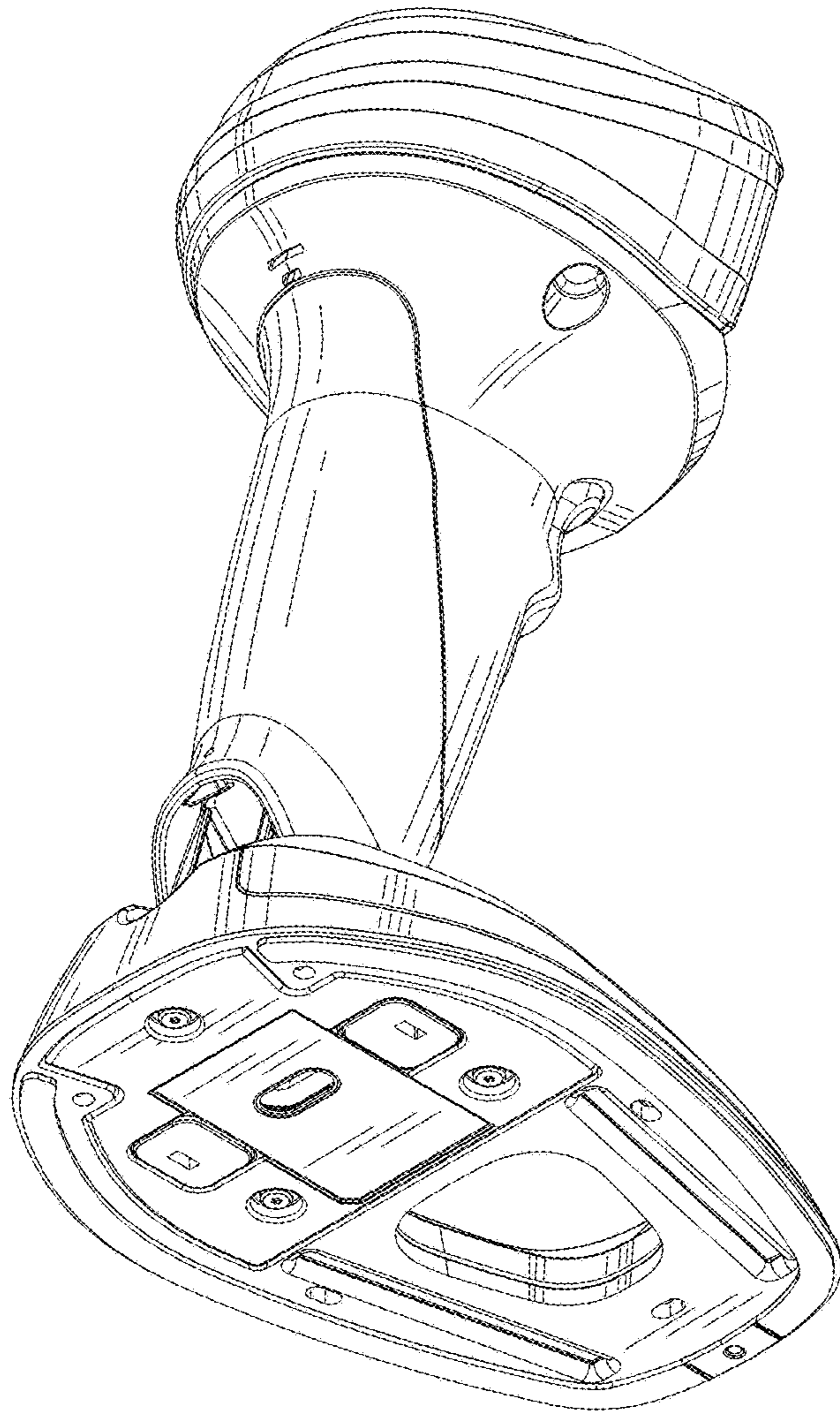


FIG. 2

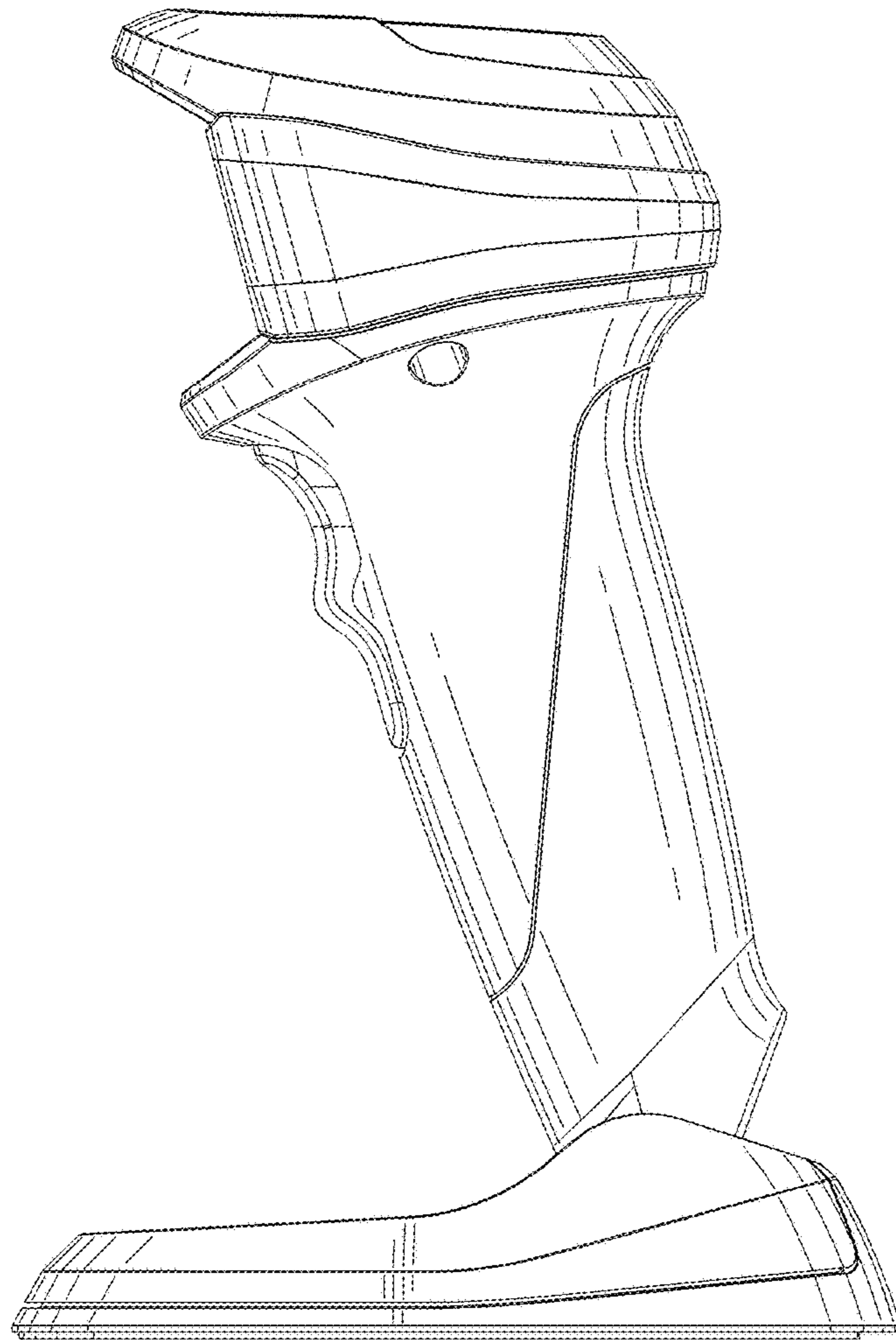


FIG. 3

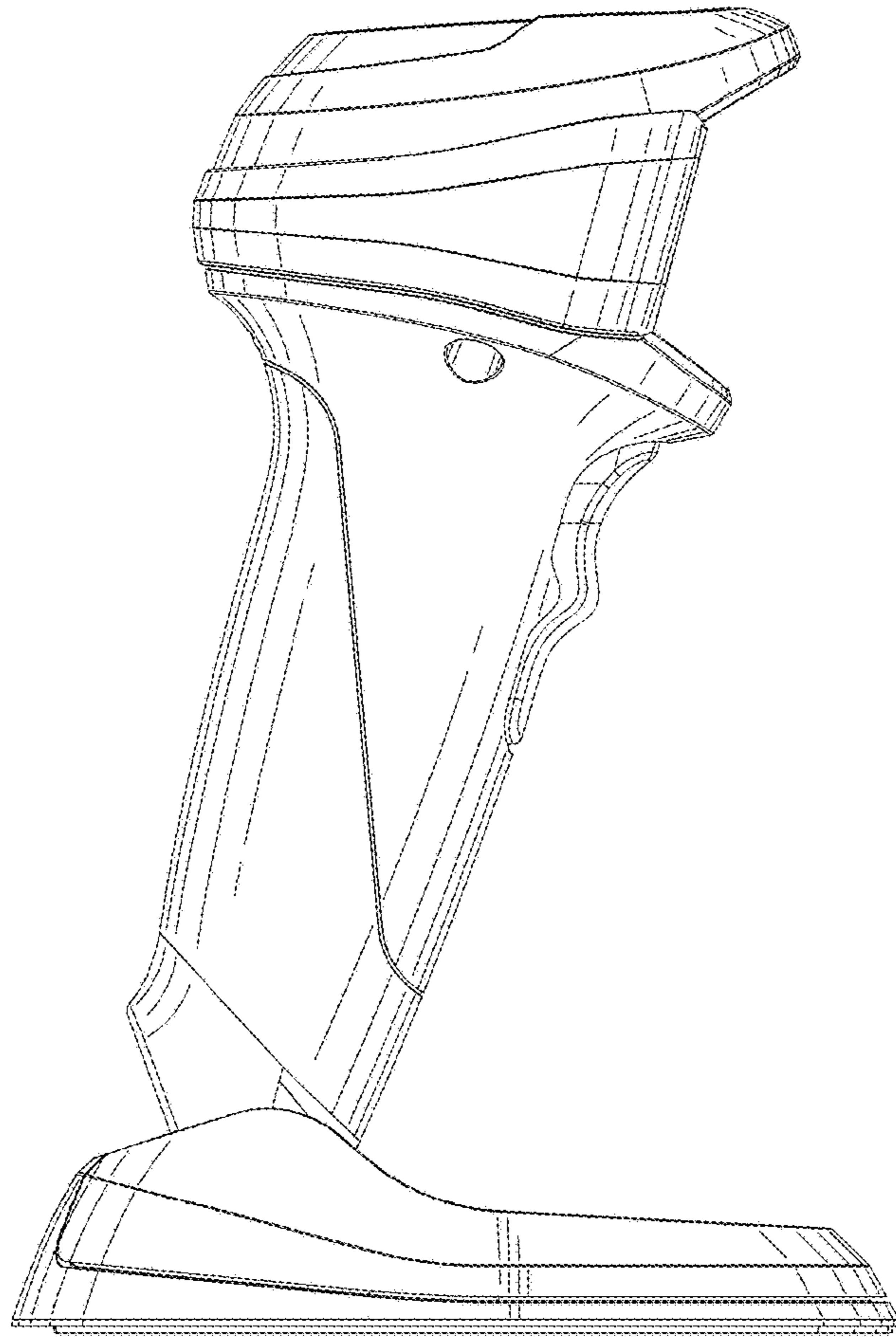


FIG. 4

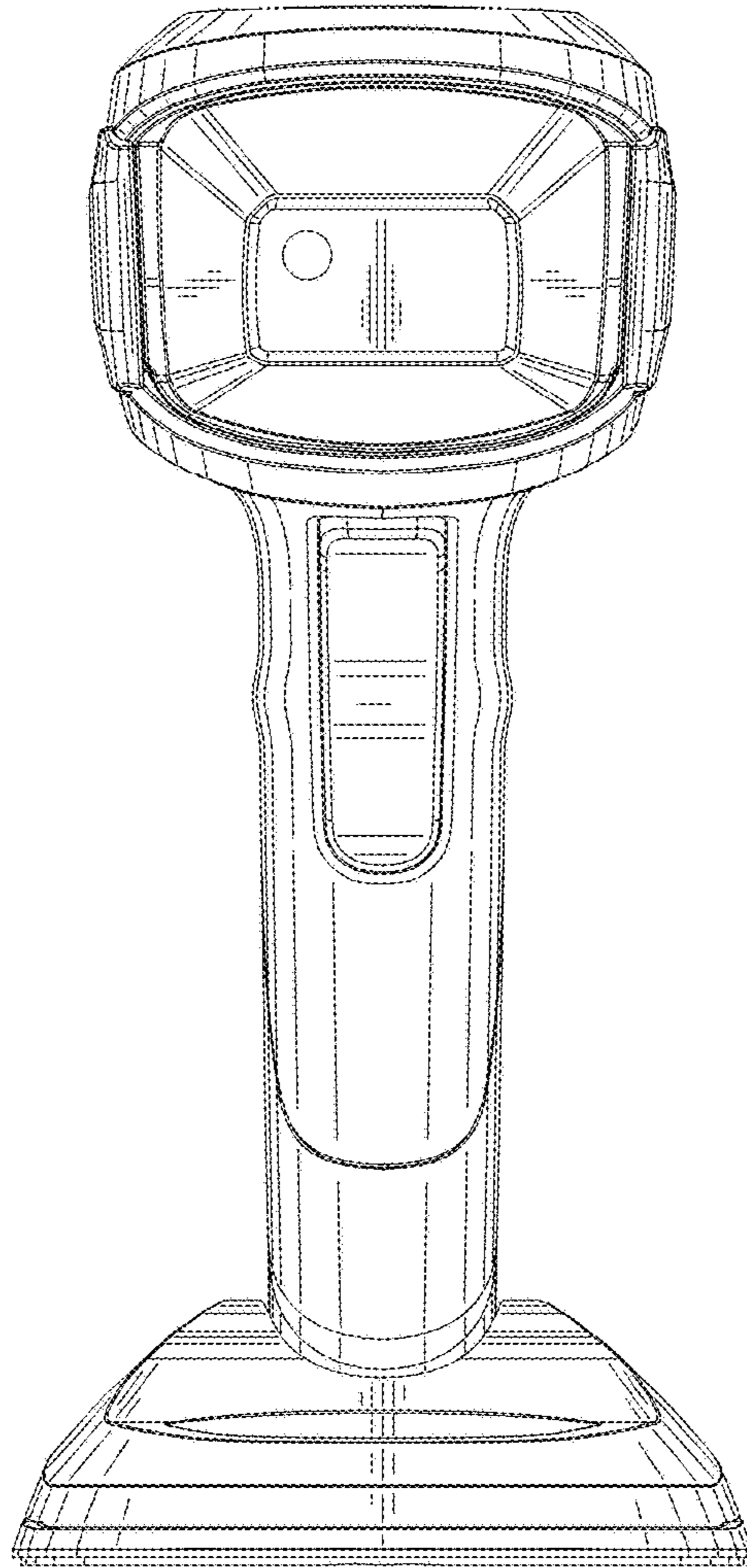


FIG. 5

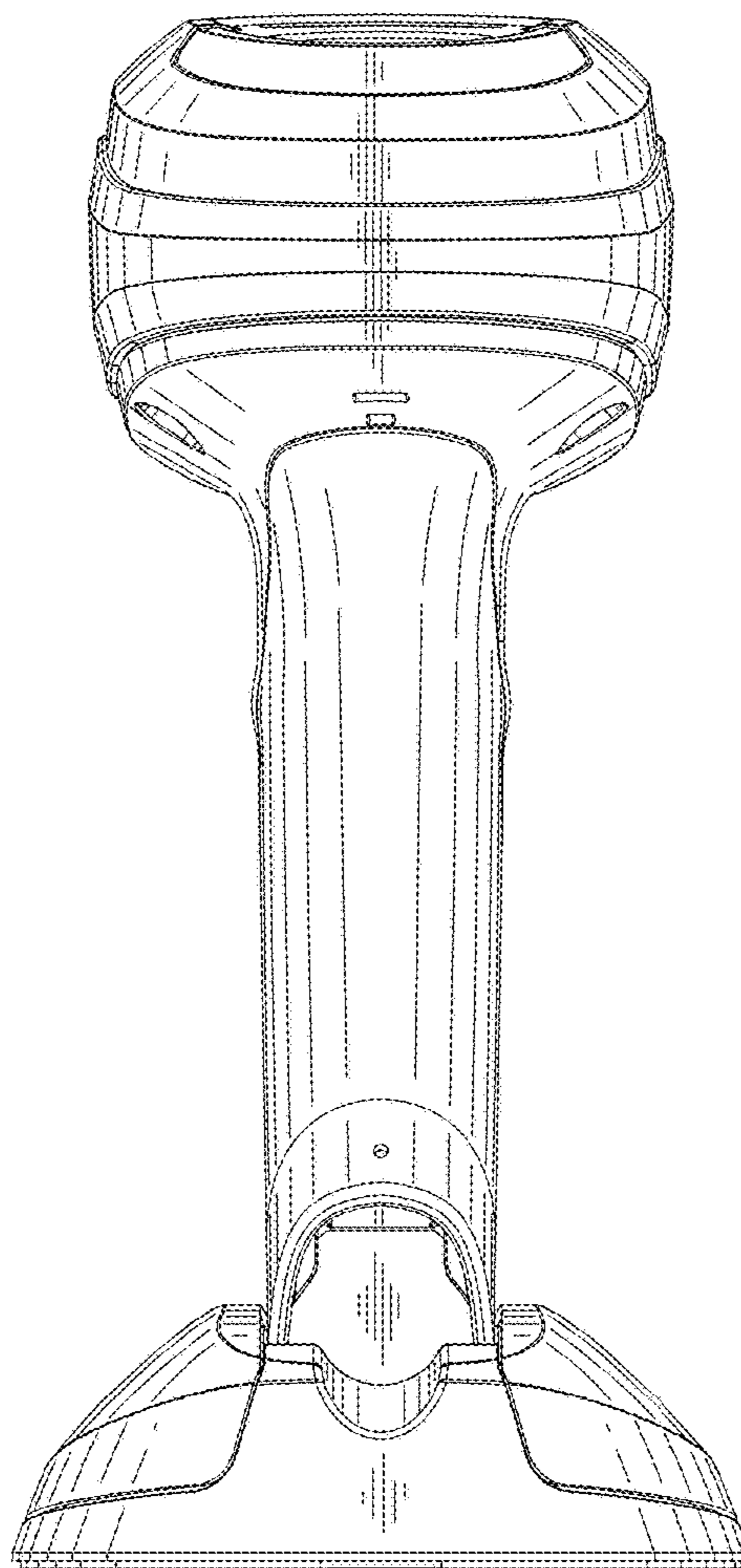


FIG. 6

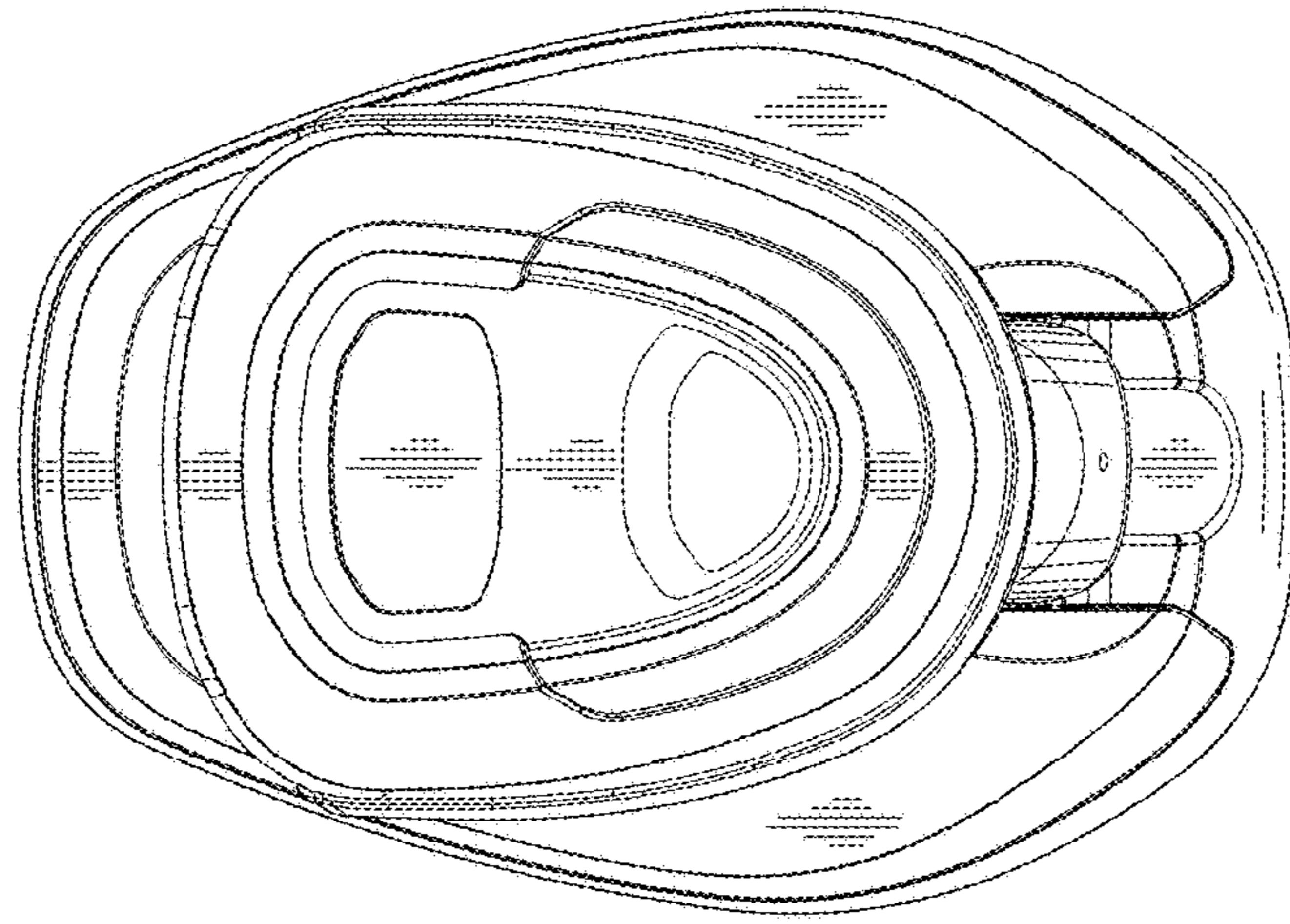


FIG. 7

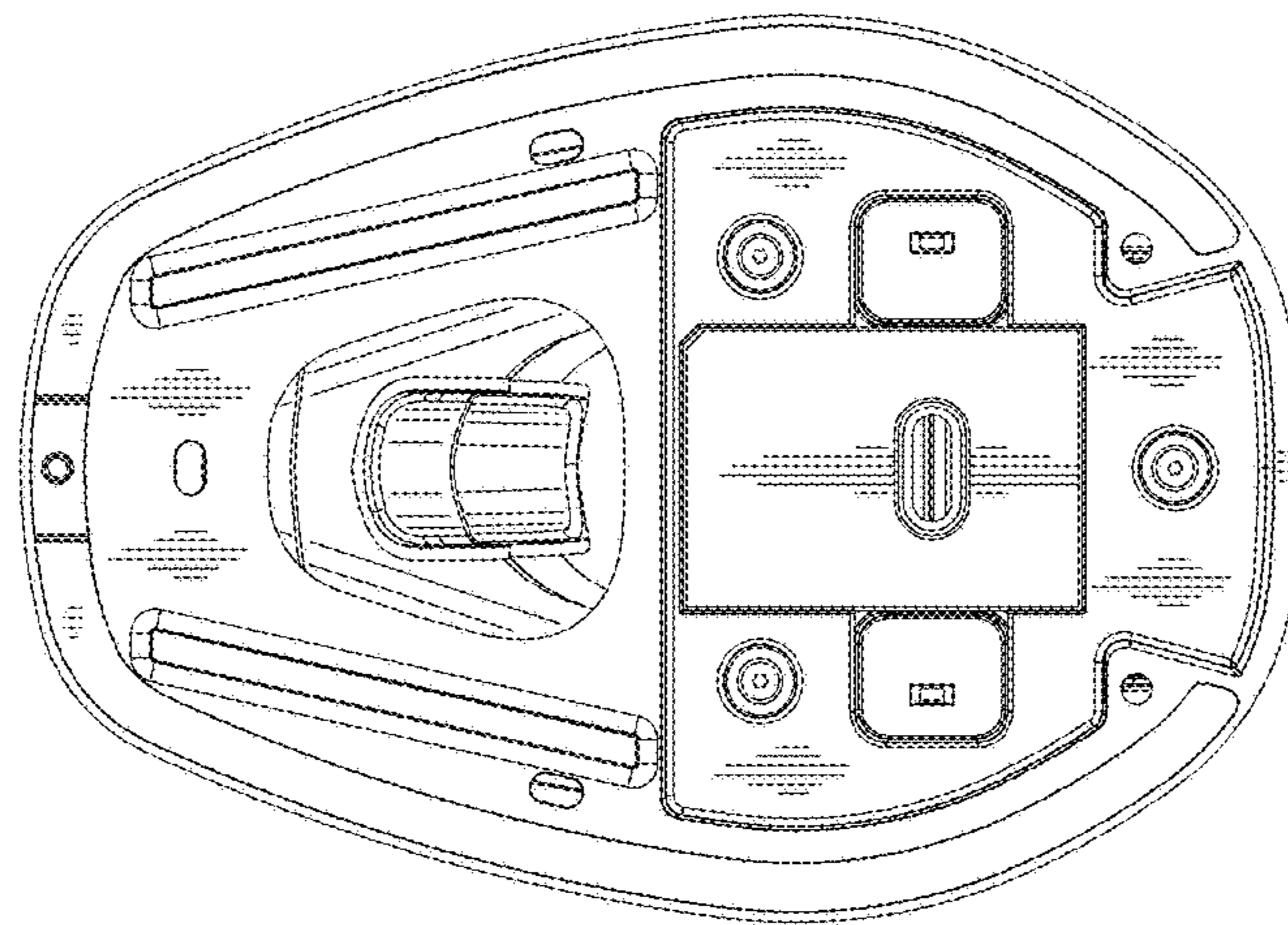


FIG. 8

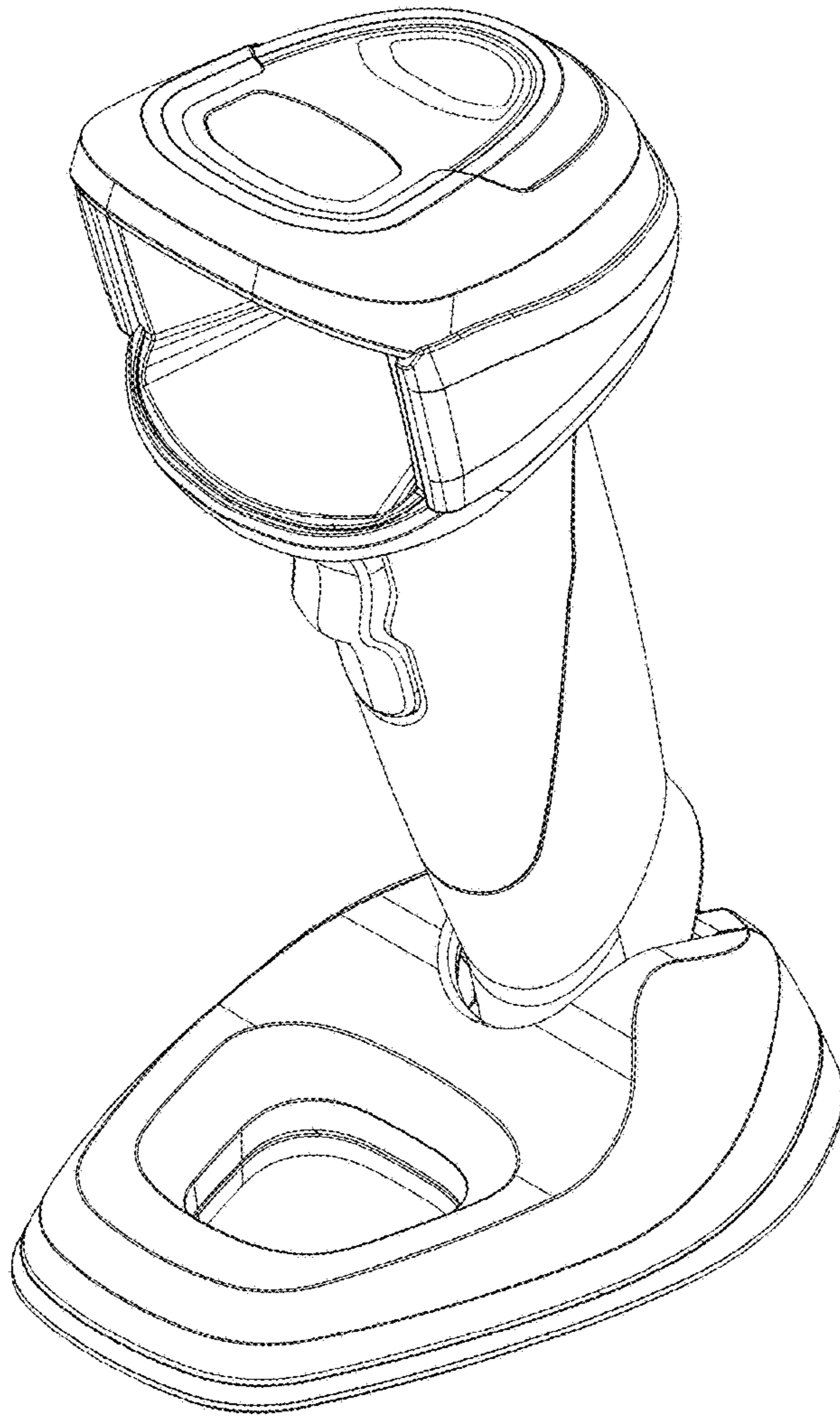


FIG. 9

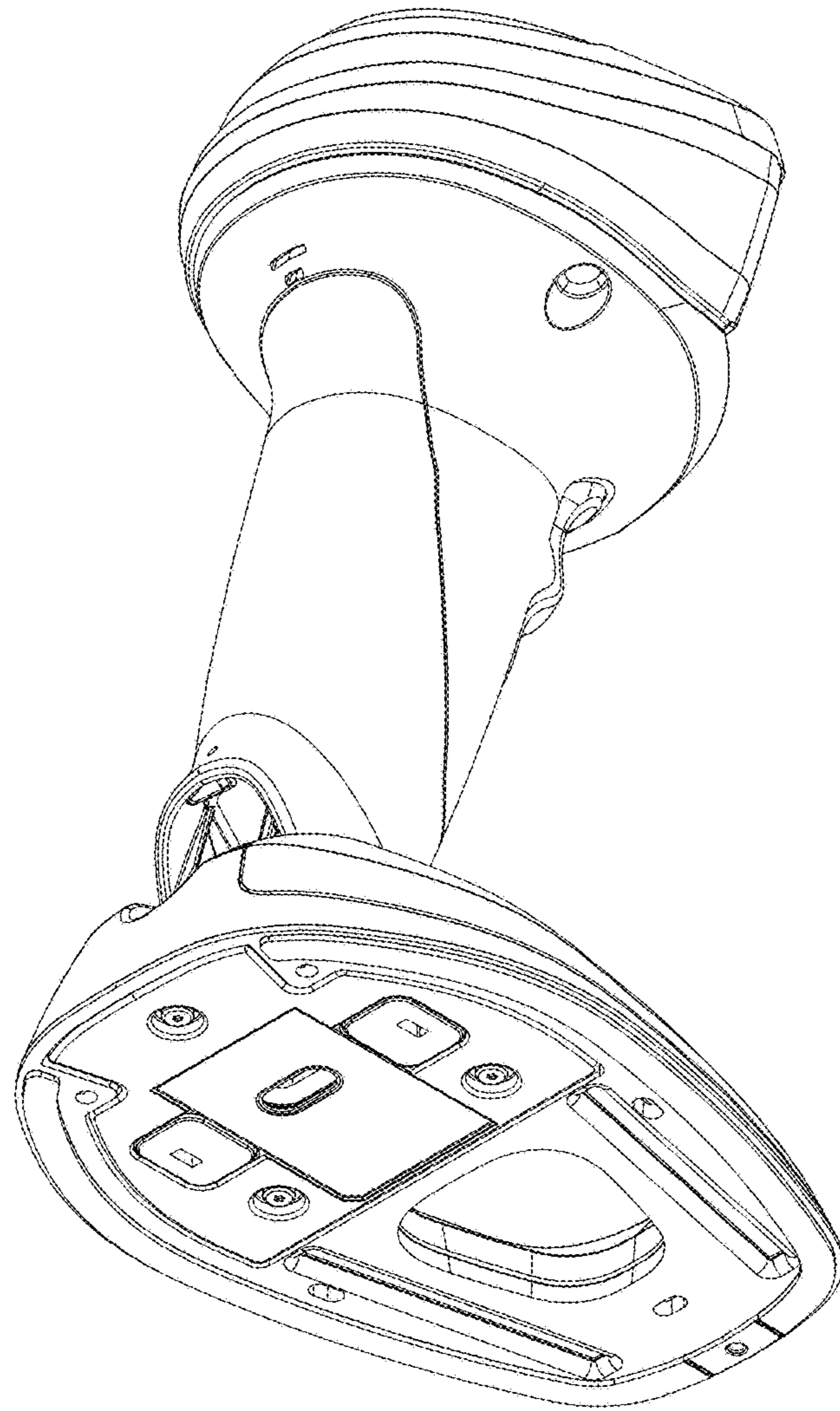


FIG. 10

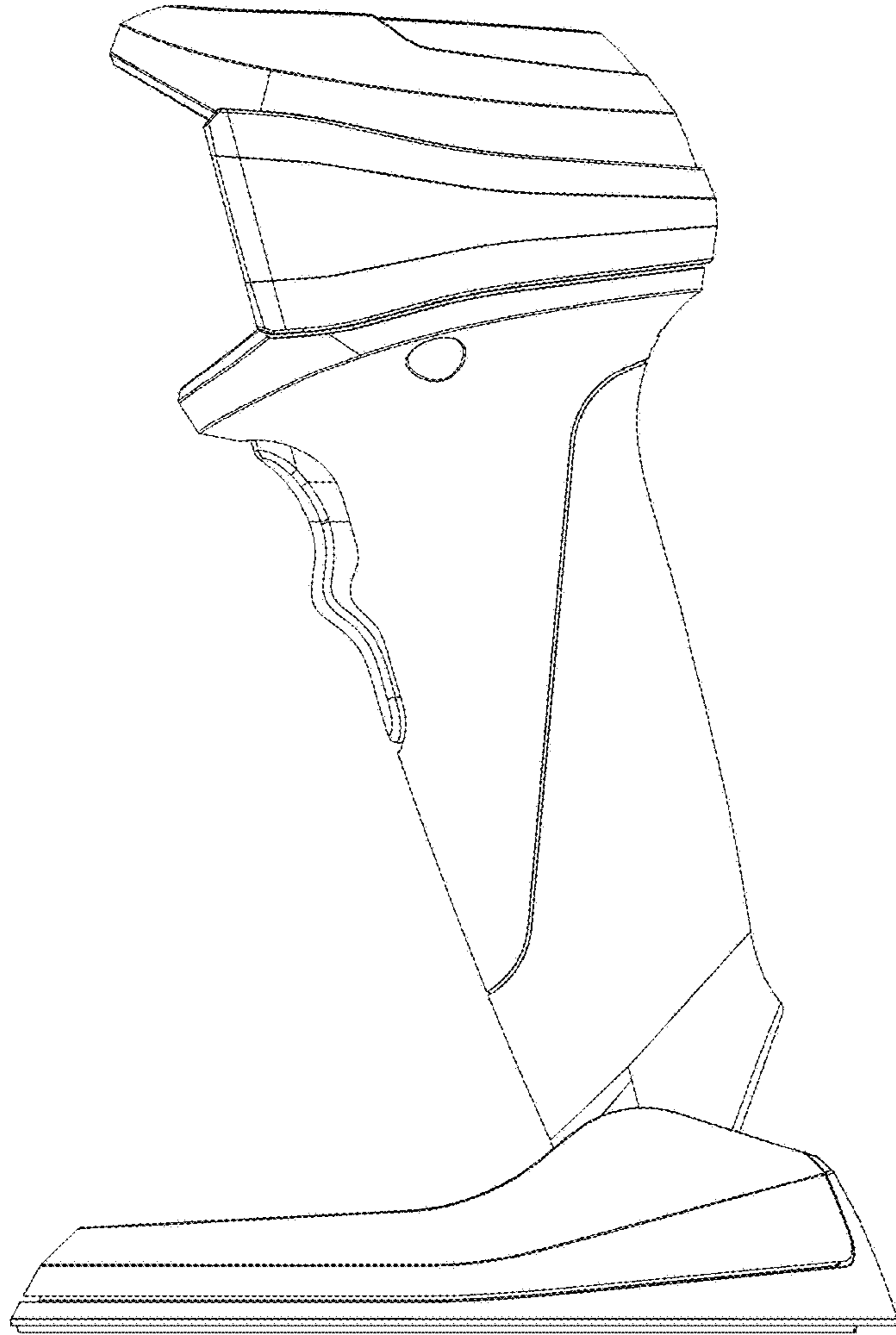


FIG. 11

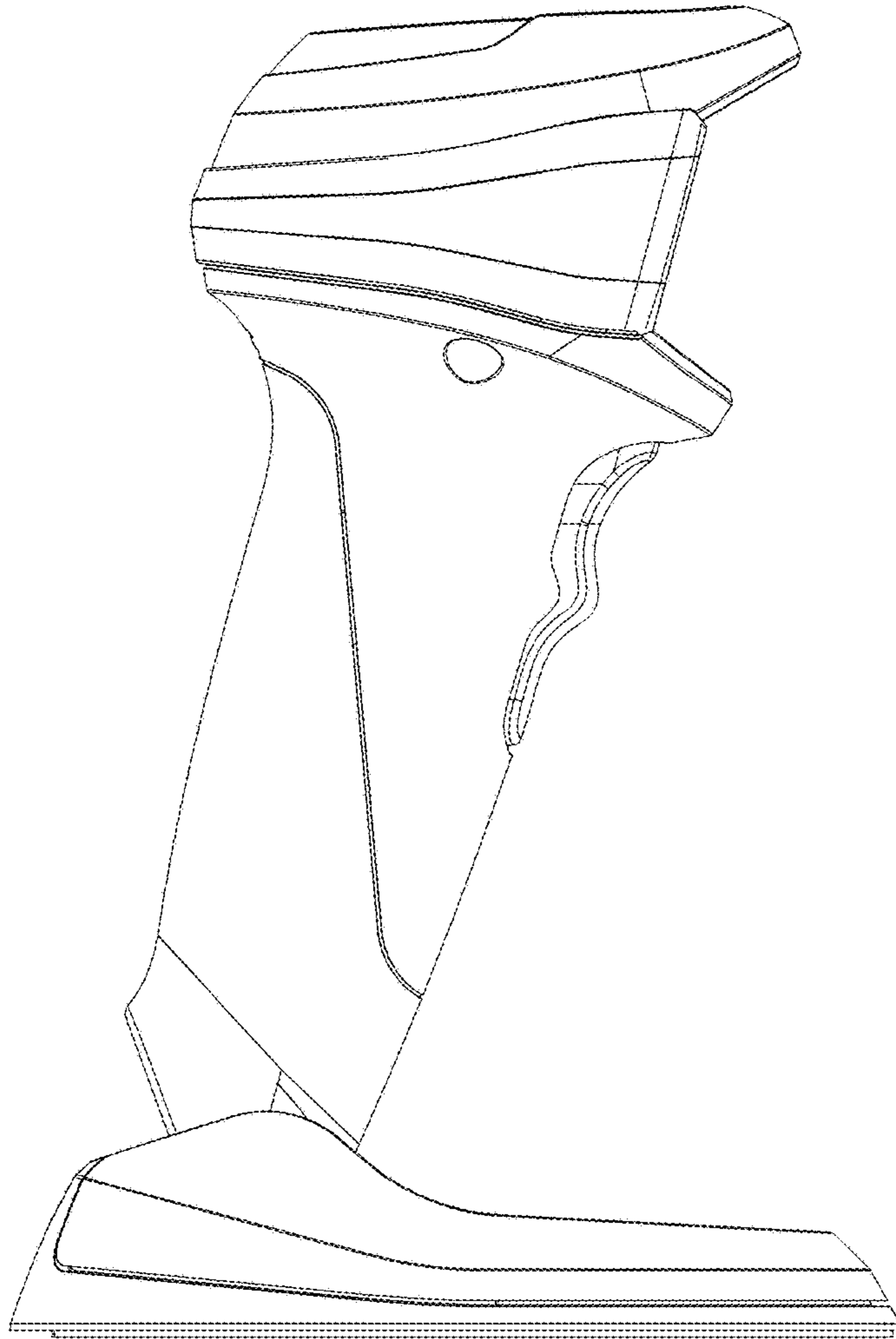


FIG. 12

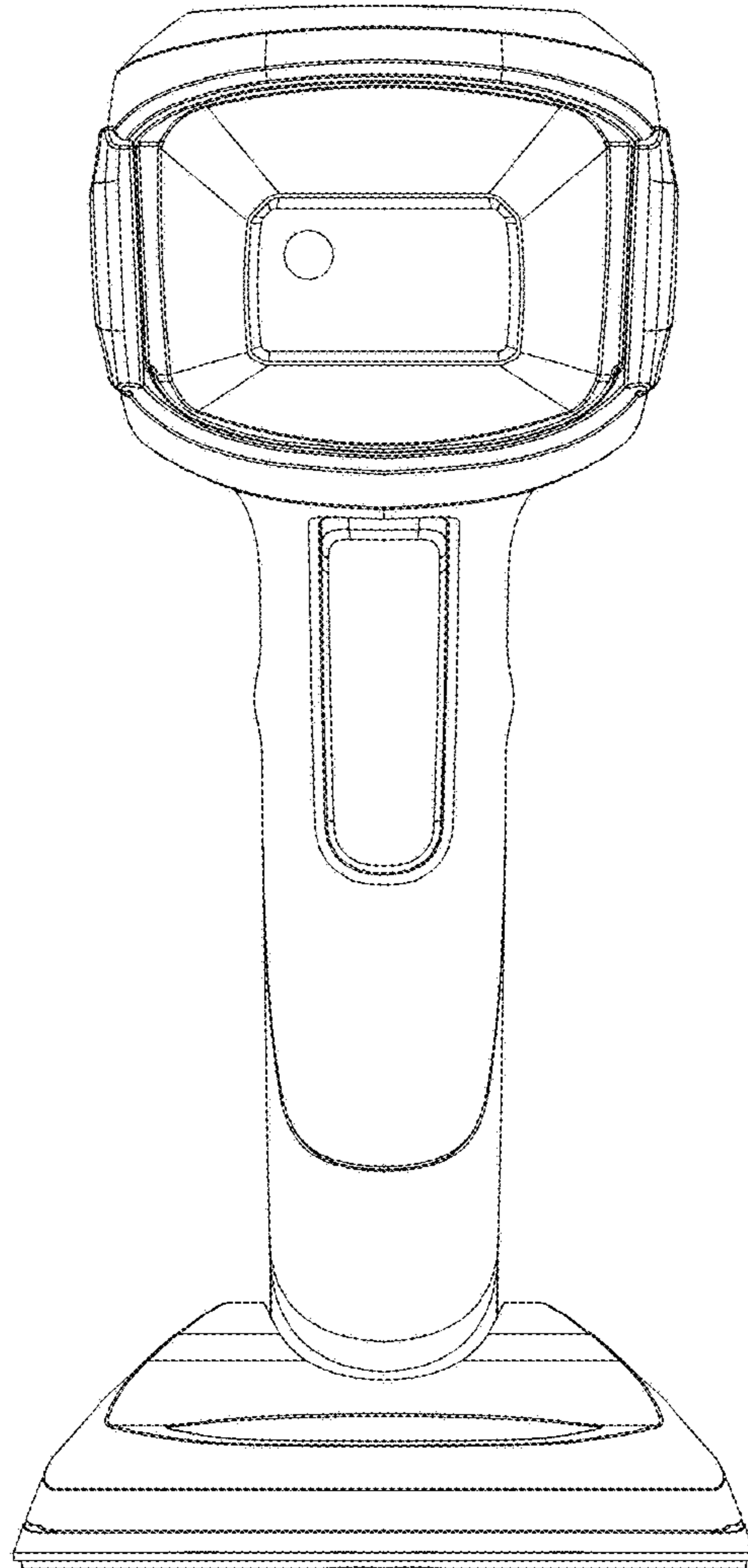


FIG. 13

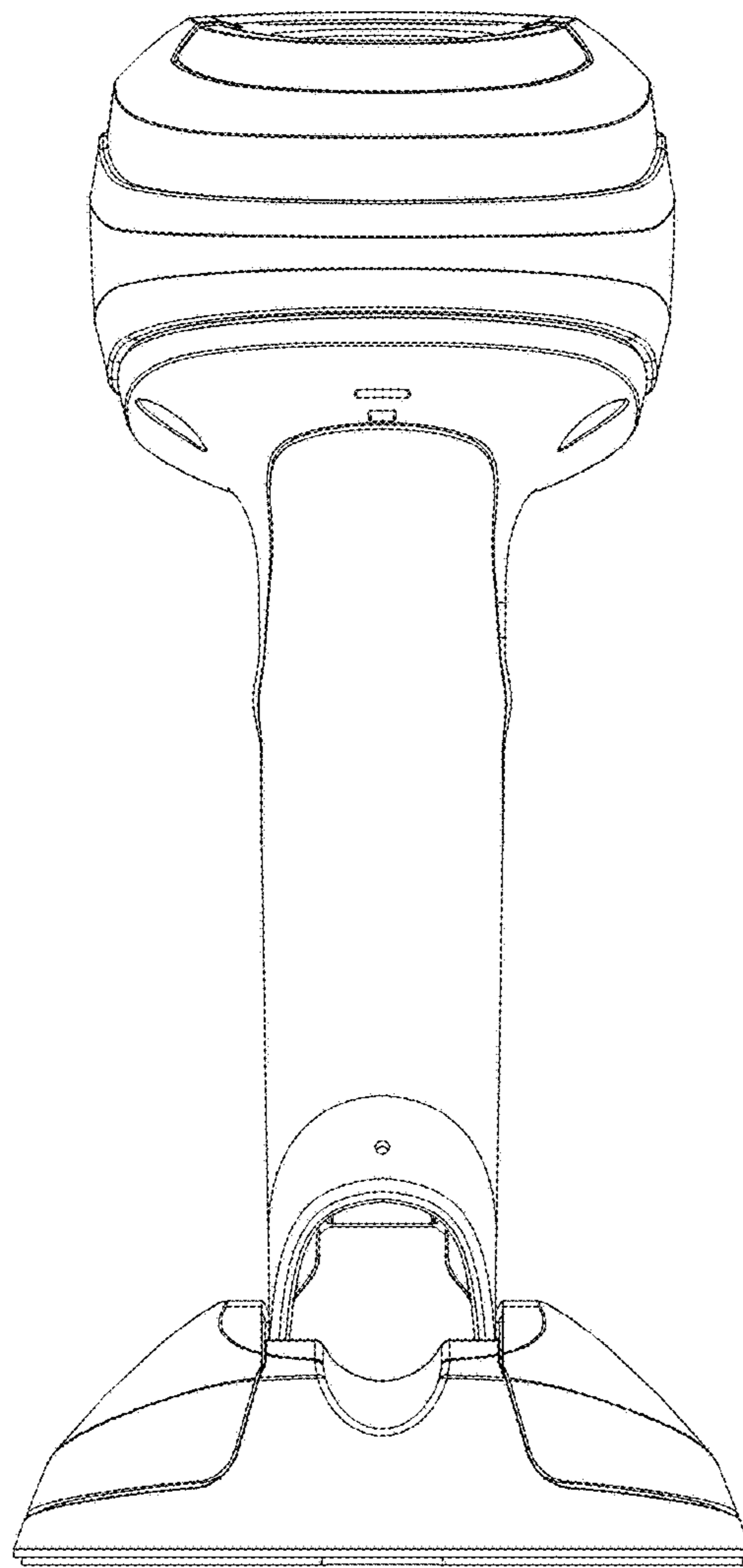


FIG. 14

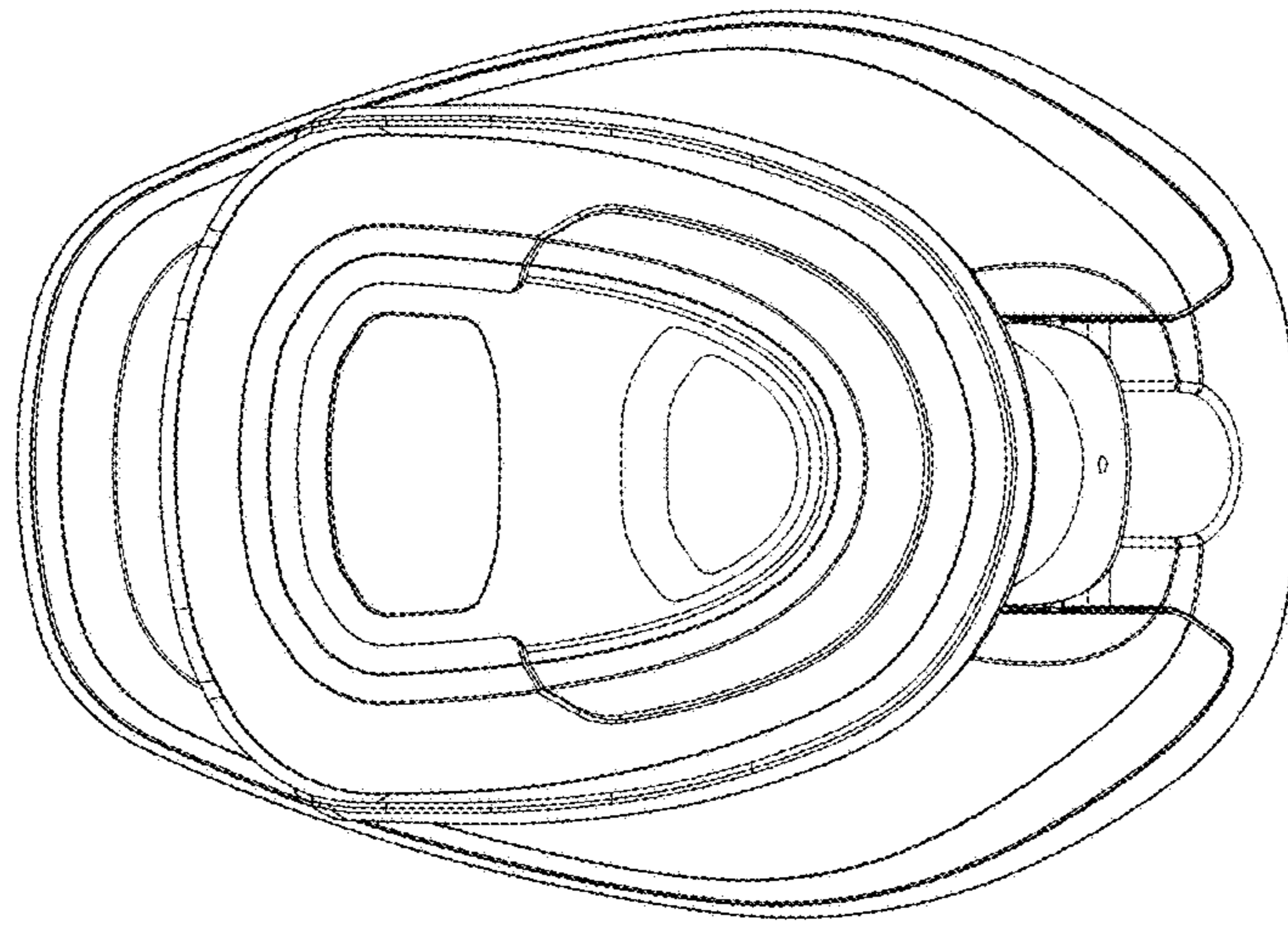


FIG. 15

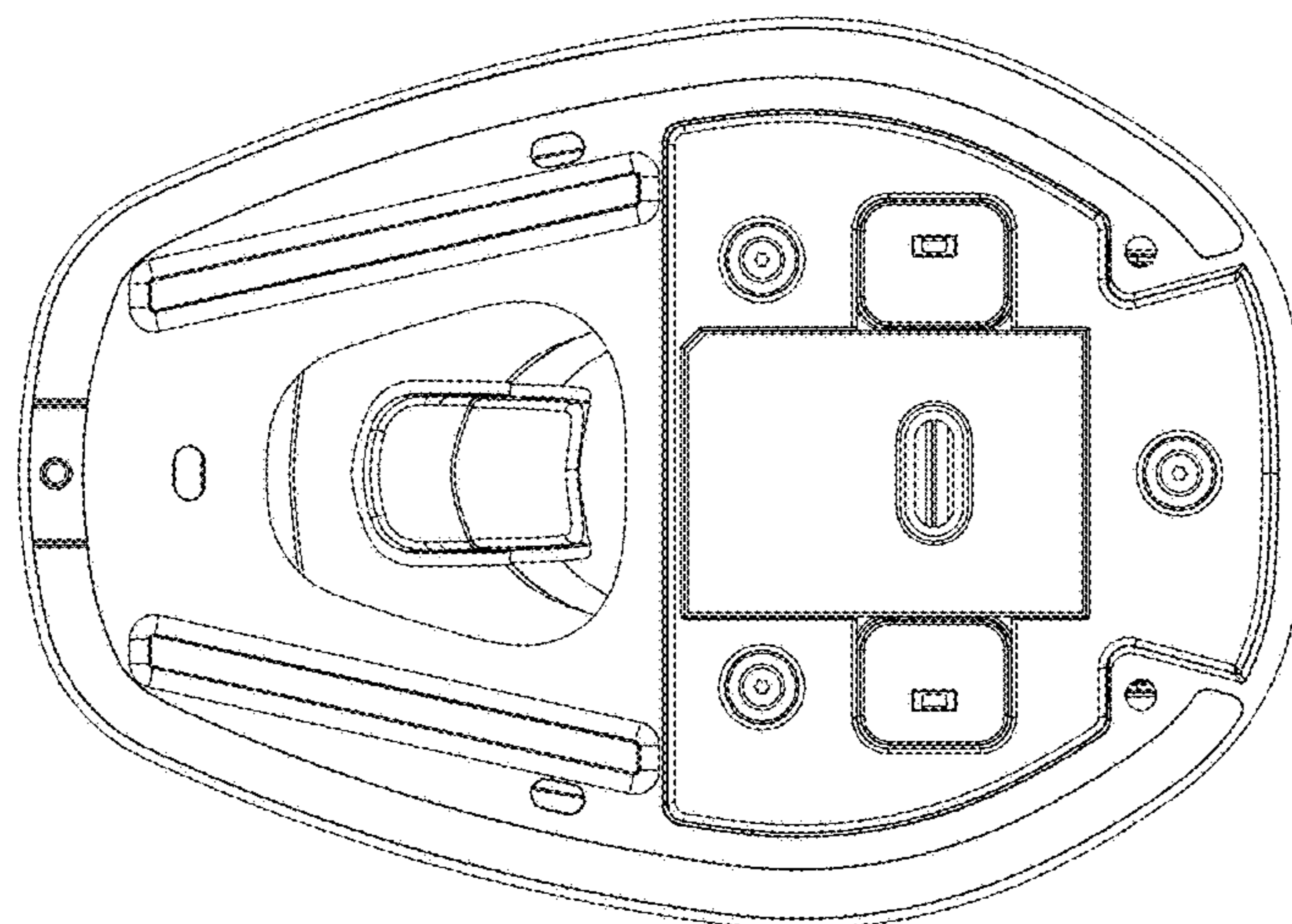


FIG. 16