



US00D849745S

(12) **United States Design Patent**
Lim et al.

(10) **Patent No.:** **US D849,745 S**
(45) **Date of Patent:** **** May 28, 2019**

(54) **RADIO FREQUENCY IDENTIFICATION (RFID) READER**

(71) Applicant: **HANMI IT CO., LTD.**, Seoul (KR)

(72) Inventors: **Jong Hoon Lim**, Seoul (KR); **Yoon Su Ham**, Bucheon-si (KR); **Sung Ki Lim**, Namyangju-si (KR)

(73) Assignee: **HANMI IT CO., LTD.**, Seoul (KR)

(**) Term: **15 Years**

(21) Appl. No.: **29/587,230**

(22) Filed: **Dec. 12, 2016**

(30) **Foreign Application Priority Data**

Jun. 13, 2016 (KR) 30-2016-0028319

(51) **LOC (11) Cl.** **14-02**

(52) **U.S. Cl.**
USPC **D14/426**; D14/420

(58) **Field of Classification Search**

USPC D14/420, 426-430, 453, 346, 341, 347, D14/412, 480.5, 484.1, 480.3, 480.4, D14/480.1, 435.1, 507, 510, 154, 158, D14/163, 160, 167, 168, 171, 172, 192, D14/193, 196, 203.1, 203.3, 203.5, 226, D14/238.1, 242, 356, 357, 358, 359, 637, D14/496; D24/155, 186, 211, 214, 152; 340/539.32, 539.13, 815.42, 825.49, 340/5.52-5.53, 5.8, 5.81-5.83, 572.1; D10/78, 104, 116, 70, 47, 106.1, 57, 103, D10/106.9; D13/168, 108, 107, 184, 147, D13/118, 119, 103, 106; 235/383, 235/472.01-472.03, 462.43, 462.45, 454, 235/460, 462.3, 462.01, 472, 472.2, 435, 235/375, 462.47, 462.48, 462.44, 462.46, 235/487; D21/329; 382/115, 124, 382/125-127, 313, 321; 902/3-5; 400/489; 379/433.07; 312/223.2, 263;

348/836-839, 843, 66; 220/783; 362/157, 158; D26/37, 45, 50, 38, 40; D23/213; D22/117; D28/35; D9/415; D3/207, 208, 209; 358/473; 16/110.1, 16/430, 431; 439/133, 135; 709/219, 709/201; 710/73; 320/114, 115, 123;
(Continued)

(56) **References Cited**

U.S. PATENT DOCUMENTS

D335,432 S * 5/1993 Vaughan D8/34
D366,229 S * 1/1996 Barnett D3/208
(Continued)

Primary Examiner — Susan Moon Lee

(74) *Attorney, Agent, or Firm* — KORUS Patent, LLC; Seong Il Jeong

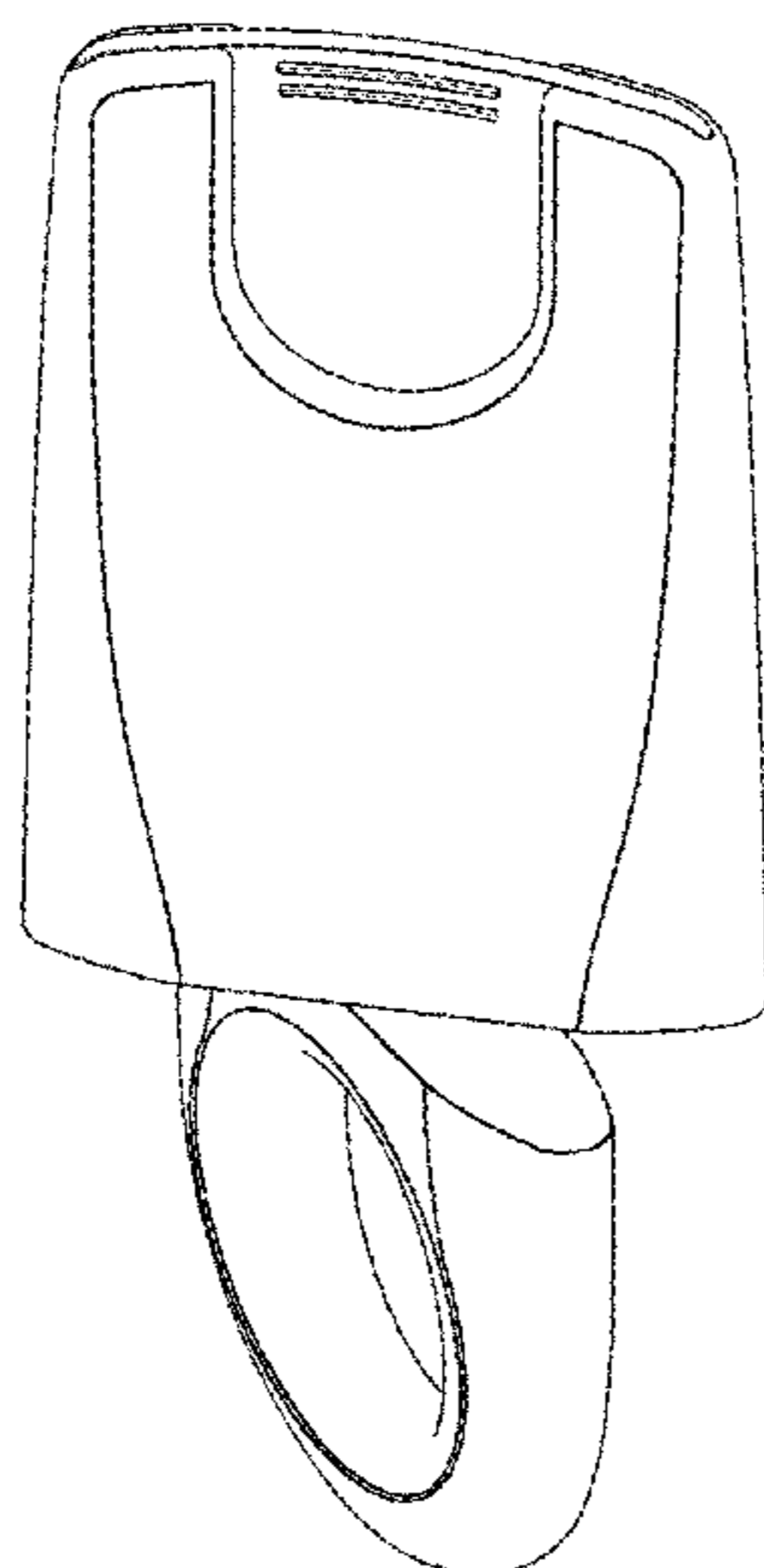
(57) **CLAIM**

The ornamental design for a radio frequency identification (RFID) reader, as shown and described.

DESCRIPTION

FIG. 1 is a perspective view of a radio frequency identification (RFID) reader showing our new design;
FIG. 2 is a front elevation view thereof;
FIG. 3 is a rear elevation view thereof;
FIG. 4 is a left side view thereof;
FIG. 5 is a right side view thereof;
FIG. 6 is a top plan view thereof;
FIG. 7 is a bottom plan view thereof;
FIG. 8 is another perspective view thereof, showing a state in which a grip portion of the RFID reader has been rotated; and,
FIG. 9 is another perspective view thereof, showing a state in which an antenna part of the RFID reader has been protruded from a main body.

1 Claim, 8 Drawing Sheets



(58) **Field of Classification Search**
 USPC 361/679; 455/575.1, 561, 571; 433/29,
 433/37, 72, 114, 116; 600/178, 180, 237,
 600/241
 CPC .. A61B 1/24; A61B 1/00; A61B 1/002; A61B
 1/05; A61B 1/00009; A61B 1/247; A61B
 1/005-1/0057; A61B 1/00011; A61B
 1/00013; A61B 1/0002; A61B 1/00029;
 A61B 1/00032; A61B 1/00034; A61B
 1/00096; A61B 1/00108; A61B 1/00163;
 A61B 5/0088; H04N 5/2251; H04N
 5/2256; H04N 5/33; H04N 2005/2255;
 H04N 1/00127; H04N 1/00135; H04N
 1/00326; H04N 1/00334; H04N 1/00307;
 H04N 1/107; H04N 2201/0084; H04N
 2101/00; H04N 7/18; A62B 1/04; A61C
 1/00; A61C 3/00; G06K 1/626; G06K
 1/1626; G06K 1/1656; G06K 1/1632;
 G06K 1/1684; G06K 1/1635; G06K 8/63;
 G06K 17/30091; G06K 9/4401; G06K
 7/10881; G06K 7/1098; G06K 7/10722;
 G06K 7/1404; G06K 7/0004; G06K
 7/10633; G06K 7/10851; G06K 7/1091;
 G06K 7/1092; G06K 7/1093; G06K 7/10;
 G06K 7/109; G06K 7/1417; G06K 9/228;
 G06K 17/0022; G06K 17/00; G06K
 2207/1011; G06K 2207/1013; G06K
 2207/1016; G06K 2207/1018; G06K
 2017/0051; G06K 2017/0067; G06K
 2007/10524; G07G 1/0081; G07G 1/009;
 G06Q 20/20; G06Q 20/201-20/203;
 G06Q 20/30; G06Q 20/32; G06Q 20/322;
 G06Q 20/4014; G06Q 10/087; H04M
 1/0249; H04M 1/0262; H04M 1/0266;
 H04M 1/18; H04M 1/23; H04M 1/236;
 H04B 1/3827; H04B 1/3833; H04B
 1/3877; H04B 1/3883; H04B 1/3888;
 H04B 2001/3894; H01M 2/1066

See application file for complete search history.

(56) **References Cited**

U.S. PATENT DOCUMENTS

D377,346 S * 1/1997 Karlin 14/2
 5,945,660 A * 8/1999 Nakasuji G06K 17/0022
 235/462.25

D433,416 S * 11/2000 Strand D14/426
 D486,829 S * 2/2004 Wang D14/480.5
 D560,538 S * 1/2008 Yuengling D11/221
 D573,594 S * 7/2008 Hsu D14/480.5
 D583,374 S * 12/2008 Otsuka D14/480.5
 7,634,932 B2 * 12/2009 Cadiz A45C 13/023
 70/408
 D614,628 S * 4/2010 Taylor D14/431
 D628,579 S * 12/2010 Landry D14/480.5
 D631,053 S * 1/2011 Bailey D10/70
 D631,884 S * 2/2011 Klein D14/435.1
 D645,869 S * 9/2011 Hathway D14/242
 D647,886 S * 11/2011 Kao D14/218
 D656,149 S * 3/2012 Schlossstein D14/480.7
 D662,941 S * 7/2012 Emami D14/480.3
 D664,457 S * 7/2012 Buchanan D10/78
 D670,255 S * 11/2012 Clark D13/168
 D672,668 S * 12/2012 Gibb D10/81
 D680,732 S * 4/2013 Nagy D3/207
 D685,807 S * 7/2013 Billington D14/480.5
 D693,332 S * 11/2013 Lee D13/168
 D698,679 S * 2/2014 Lindley D10/106.9
 D698,680 S * 2/2014 Burstein D10/106.9
 D704,931 S * 5/2014 Abellera D3/207
 D706,278 S * 6/2014 Fukuoka D14/480.5
 D712,745 S * 9/2014 Schwall D9/448
 D714,171 S * 9/2014 Hoofnagle D10/78
 D724,592 S * 3/2015 Han D14/420
 D726,012 S * 4/2015 Simard D9/521
 D729,446 S * 5/2015 Babel D28/7
 D735,042 S * 7/2015 Simon D28/76
 D736,658 S * 8/2015 Tam D10/78
 D741,865 S * 10/2015 Sundermeyer D14/433
 D742,772 S * 11/2015 Yang D10/106.9
 D759,028 S * 6/2016 Emami D14/480.1
 D767,567 S * 9/2016 McWilliam D14/358
 D792,227 S * 7/2017 Dybdahl D9/521
 9,724,689 B2 * 8/2017 Kisner G01N 31/22
 D799,497 S * 10/2017 Piron D14/480.1
 D805,079 S * 12/2017 Han D14/426
 D805,087 S * 12/2017 Sumii D14/480.1
 9,934,415 B1 * 4/2018 Fowler G06K 7/10881
 D817,961 S * 5/2018 Han D14/426
 D831,669 S * 10/2018 Shim D14/480.5
 D831,670 S * 10/2018 Shim D14/480.5
 2004/0203501 A1 * 10/2004 Johnson H04B 1/385
 455/90.3
 2009/0266899 A1 * 10/2009 Yoshizawa G06K 7/10722
 235/472.01
 2015/0186686 A1 * 7/2015 Sun G06K 7/10881
 235/437
 2015/0242933 A1 * 8/2015 Beguin G06Q 30/0633
 705/26.8

* cited by examiner

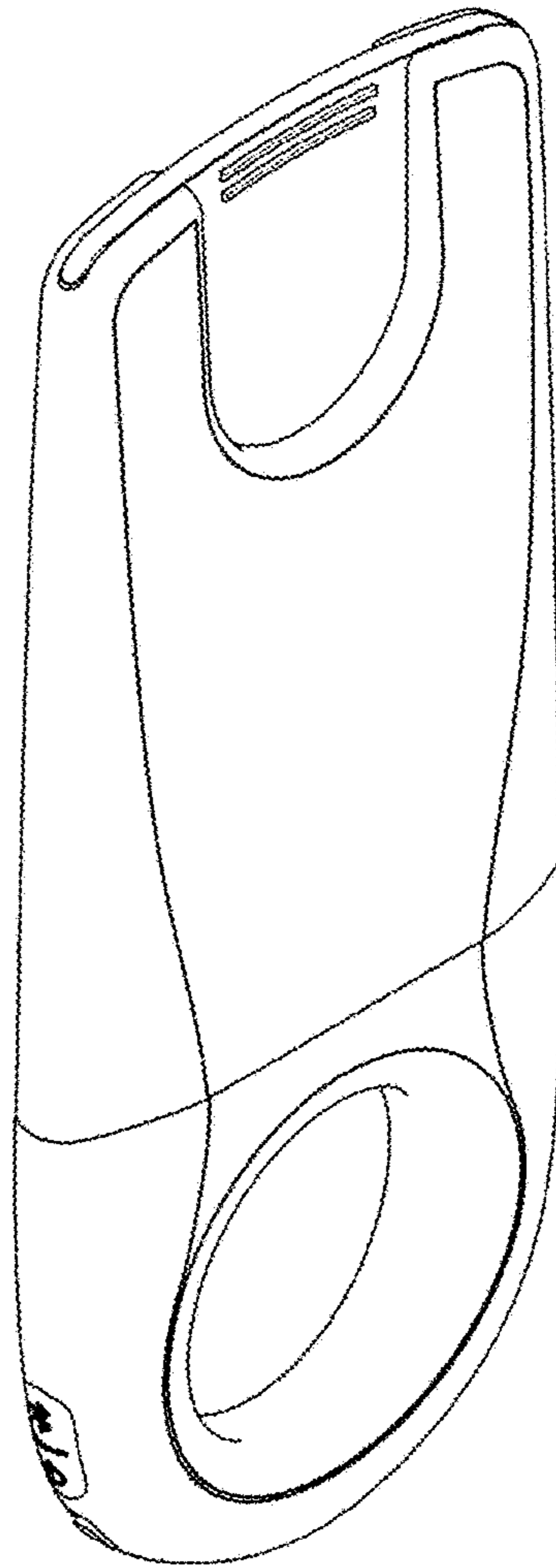


FIG. 1

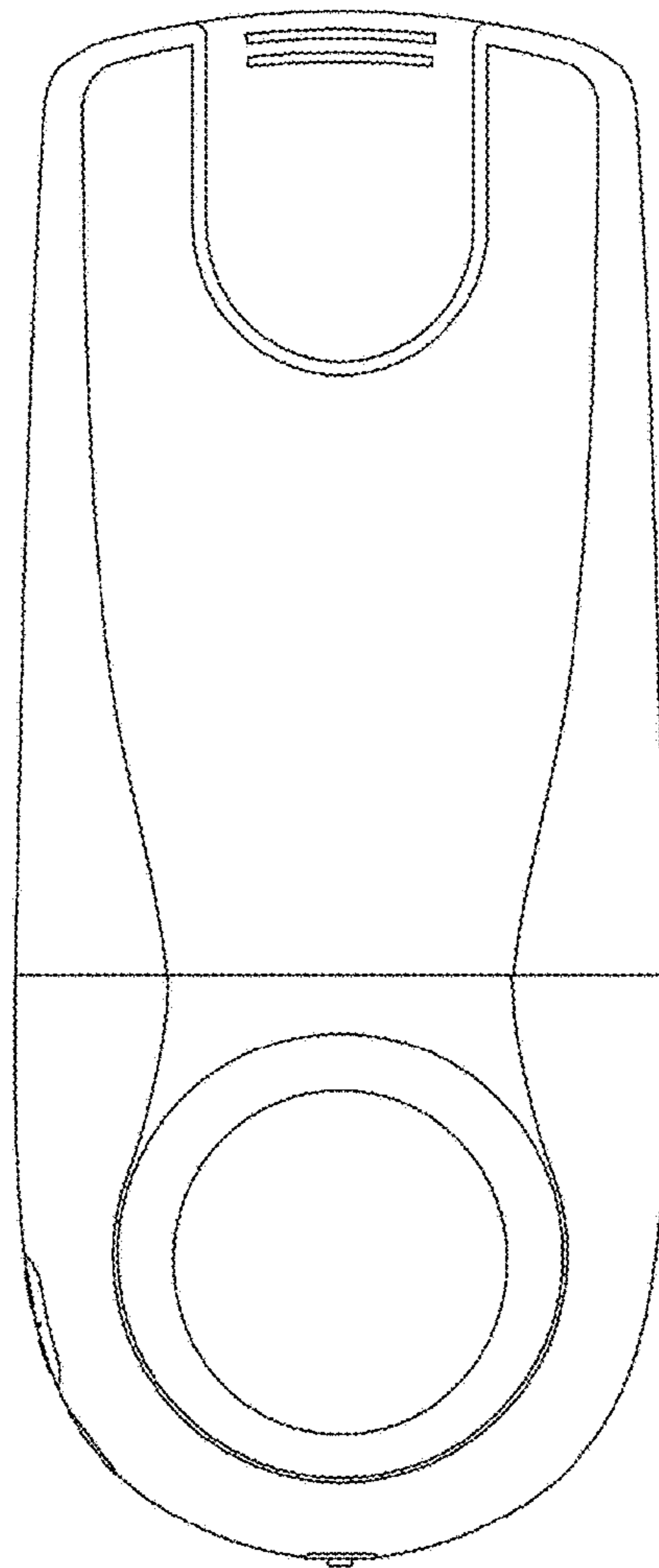


FIG. 2

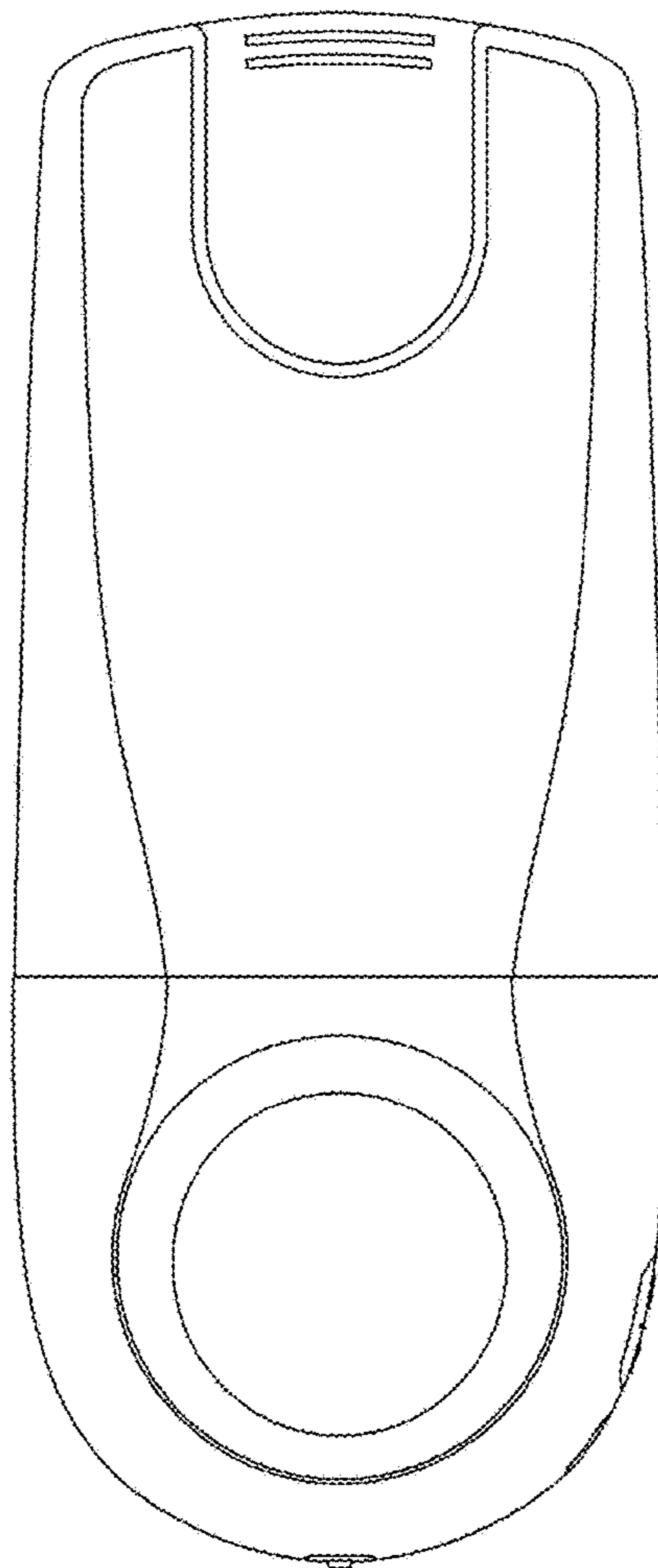


FIG. 3

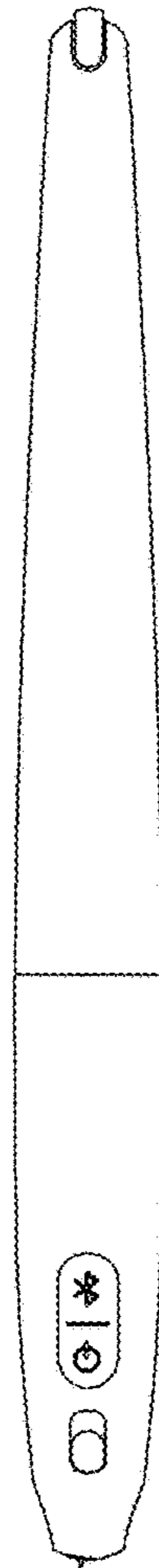


FIG. 4



FIG. 5

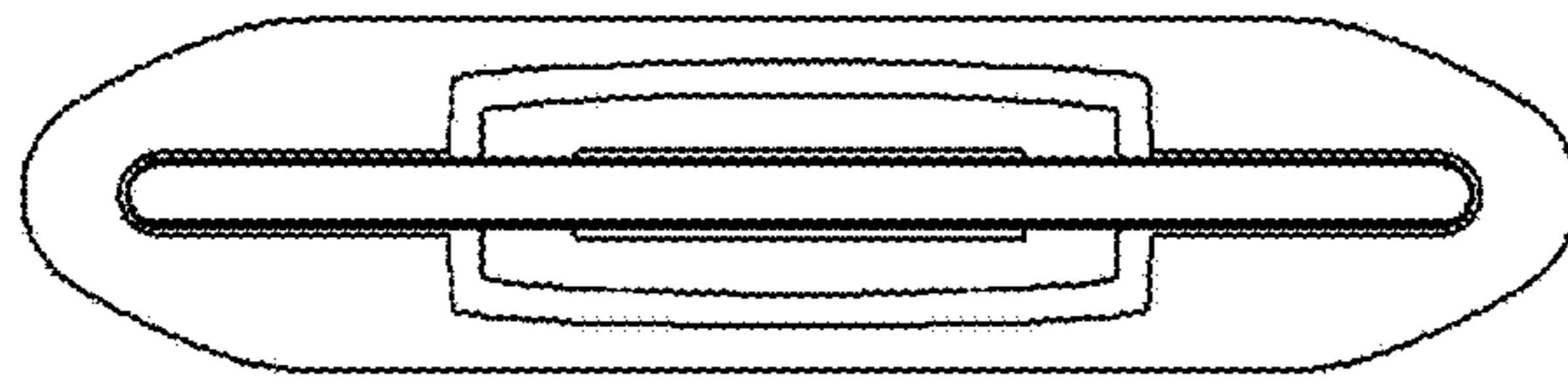


FIG. 6

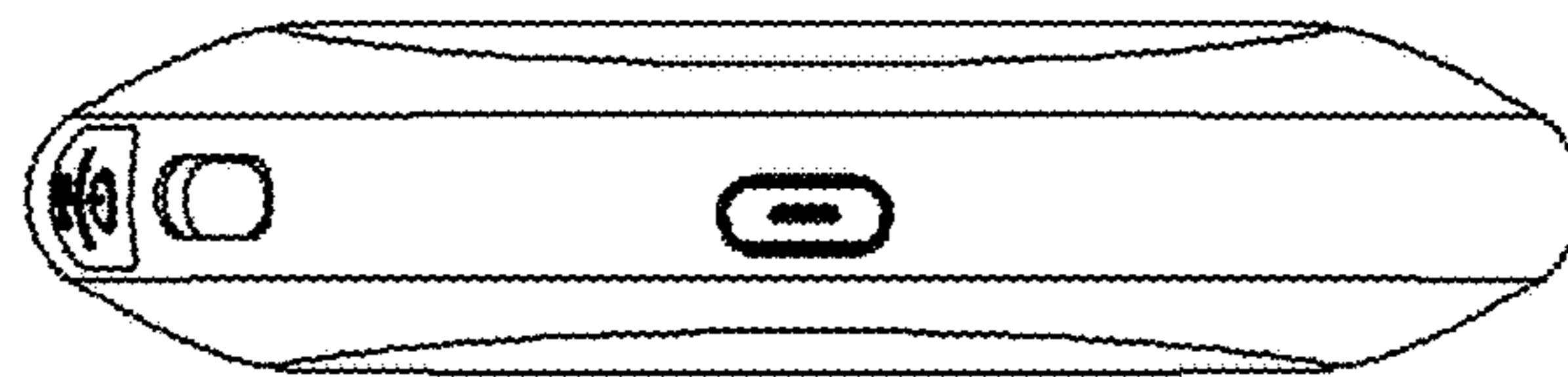


FIG. 7

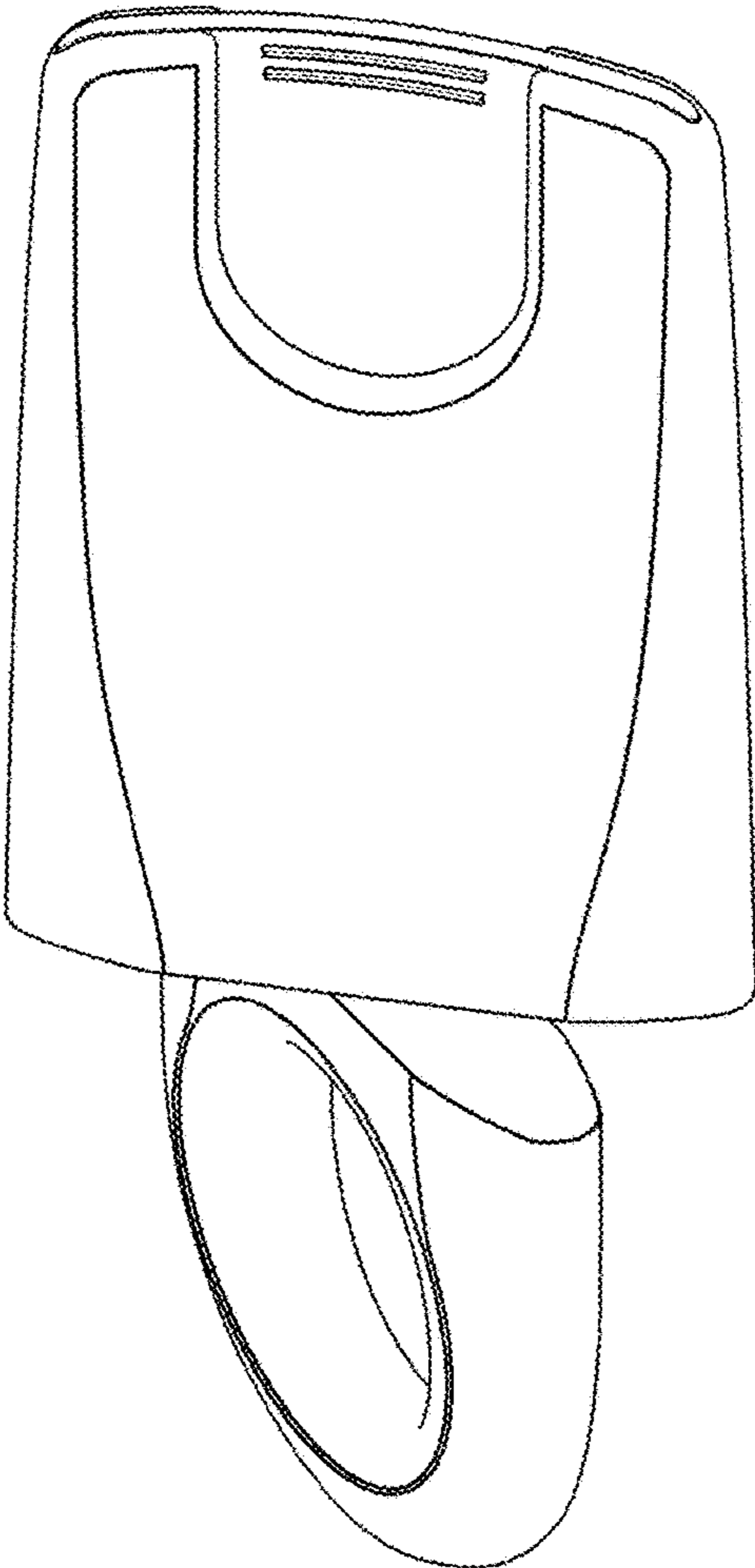


FIG. 8

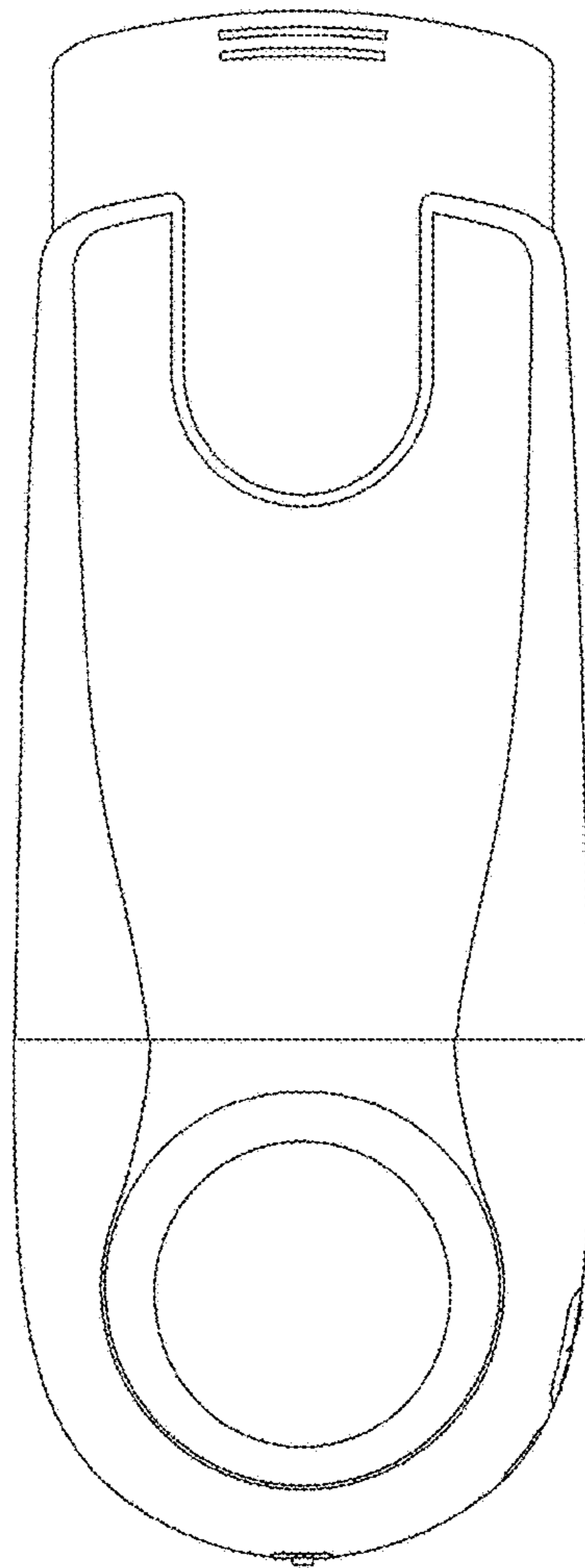


FIG. 9