



US00D849742S

(12) **United States Design Patent** (10) **Patent No.:** **US D849,742 S**
Siminoff et al. (45) **Date of Patent:** **** May 28, 2019**

(54) **KEYPAD**

17/00; G08C 17/02; H04B 1/202; G05B 2219/2419; G05B 2219/45109

See application file for complete search history.

(71) Applicant: **Ring Inc.**, Santa Monica, CA (US)

(72) Inventors: **Mark Siminoff**, Mountain View, CA (US); **Peter Gerstberger**, Laguna Niguel, CA (US); **Spiro Sacre**, Los Angeles, CA (US); **Christopher Loew**, Palo Alto, CA (US); **Andrew L. Russell**, Philadelphia, PA (US); **James Siminoff**, Pacific Palisades, CA (US)

(73) Assignee: **Amazon Technologies, Inc.**, Seattle, WA (US)

(**) Term: **15 Years**

(21) Appl. No.: **29/617,866**

(22) Filed: **Sep. 15, 2017**

(51) **LOC (11) Cl.** **14-02**

(52) **U.S. Cl.**
USPC **D14/399**

(58) **Field of Classification Search**
USPC D14/388, 389, 390, 391, 392, 396, 397, D14/398, 399, 400, 401, 320, 331, 333, D14/334, 338, 339, 341, 346, 356, 347, D14/379, 380, 384, 218, 455; D18/6, 7, D18/8, 12, 12.1, 12.2, 24, 29, 57; D19/6, D19/9, 10; D20/11; D21/324-333, 517, D21/512; D99/43, 99; D13/162, 162.1, D13/164, 168, 184, 123; D10/46, 75, D10/104.1, 106.1, 106.3, 106.9, 106.95
CPC G06F 15/02; G06F 15/0216; G06F 15/025; G06F 15/0225; G06F 15/0258; G06F 1/1671; G06F 1/02; G06F 3/016; G06F 3/021; G08B 13/00; G08B 13/02; G08C

(56) **References Cited**

U.S. PATENT DOCUMENTS

D297,128 S *	8/1988	Guscott	D10/106.1
D357,018 S *	4/1995	Takami	D14/218
D380,464 S *	7/1997	Ikenaga	D14/399
D389,762 S *	1/1998	Yorkey	D10/104.1
D398,912 S *	9/1998	Phillips	D14/399
D489,722 S *	5/2004	Matuschek	D14/388
D514,462 S *	2/2006	Yang	D10/106.1
D532,415 S *	11/2006	Chen	D14/399
D541,800 S *	5/2007	Ponnert	D14/388
D542,792 S *	5/2007	Beamish	D14/388
D581,303 S *	11/2008	Concari	D10/104.1
D602,474 S *	10/2009	Hansen	D14/218
D634,734 S *	3/2011	Cho	D14/218
D645,848 S *	9/2011	Arnholt	D14/218
D665,083 S *	8/2012	Yang	D14/388
D671,917 S *	12/2012	Gibbens, Jr.	D14/218

(Continued)

Primary Examiner — Marie D. Fast Horse

(74) *Attorney, Agent, or Firm* — Lathrop Gage LLP

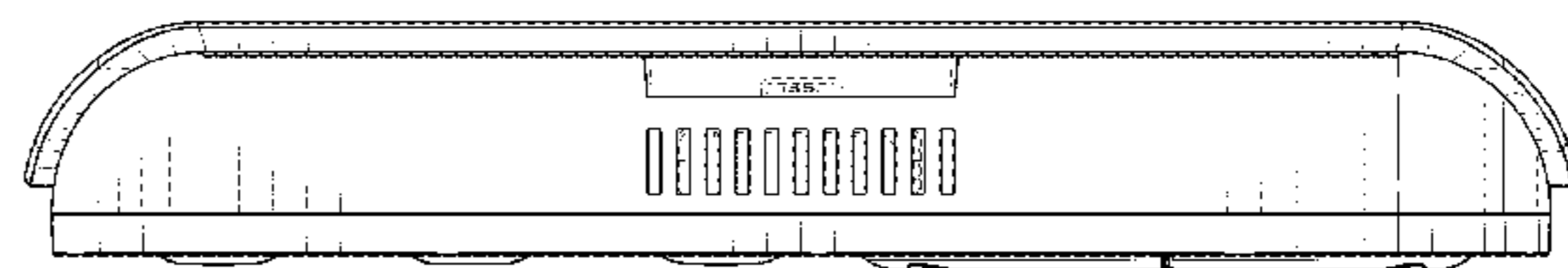
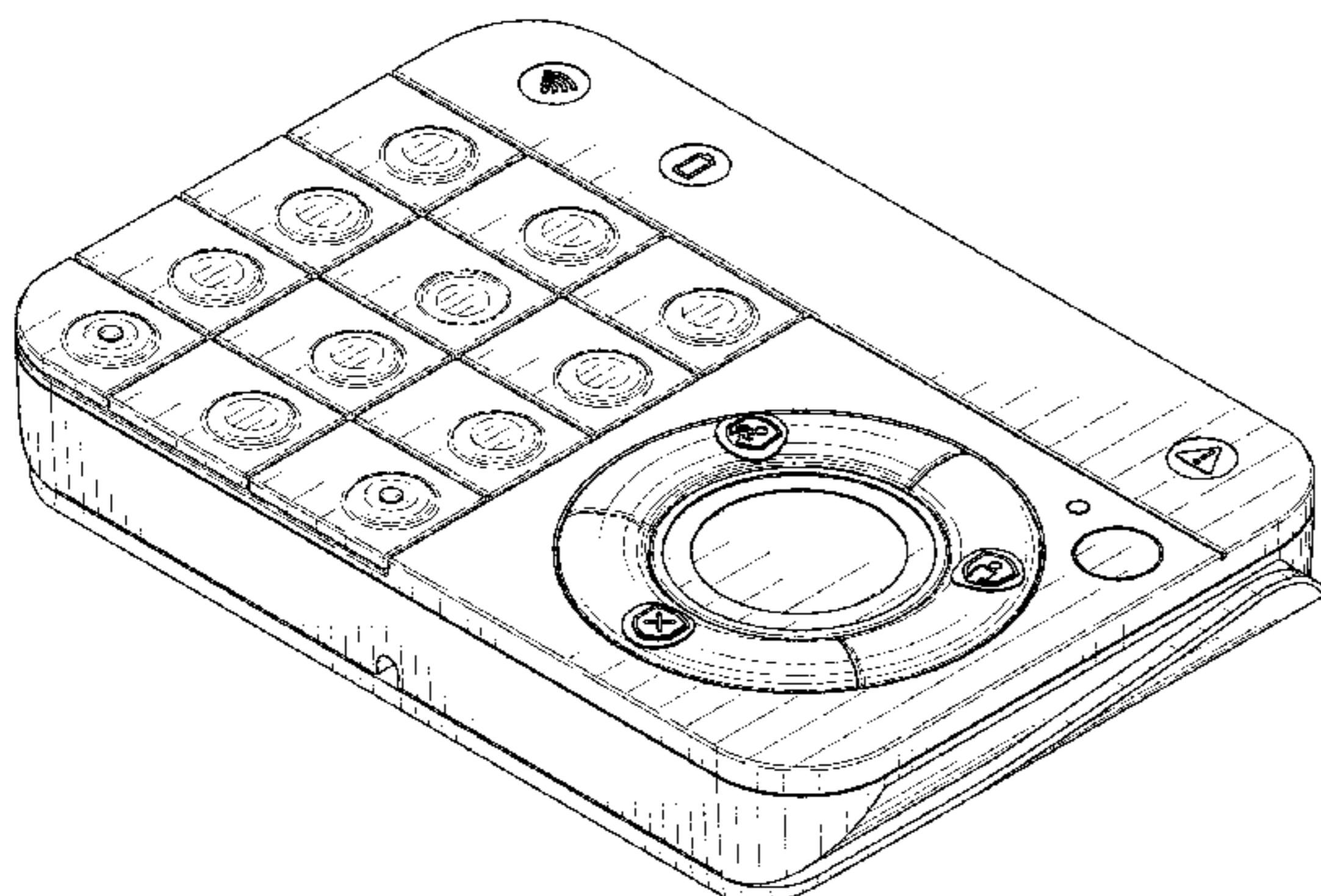
(57) **CLAIM**

The ornamental design for a keypad, as shown and described.

DESCRIPTION

FIG. 1 is a front perspective view of the keypad according to the present design;
FIG. 2 is a front elevational view of the keypad of FIG. 1;
FIG. 3 is a rear elevational view of the keypad of FIG. 1;
FIG. 4 is a left-side elevational view of the keypad of FIG. 1;
FIG. 5 is a right-side elevational view of the keypad of FIG. 1;
FIG. 6 is a top plan view of the keypad of FIG. 1; and,
FIG. 7 is a bottom plan view of the keypad of FIG. 1.

(Continued)



The broken lines shown in the drawings depict portions of the keypad that form no part of the claimed design.

1 Claim, 5 Drawing Sheets

(56)

References Cited

U.S. PATENT DOCUMENTS

D697,057 S * 1/2014 Kwon D14/218
D699,613 S * 2/2014 Ke D10/106.95
D709,480 S * 7/2014 Kim D14/218
D713,820 S * 9/2014 O'Neil D14/218
D716,963 S * 11/2014 Yosef D24/215
D718,720 S * 12/2014 Rader D13/162
D718,721 S * 12/2014 Rader D13/162
D722,297 S * 2/2015 Rader D13/162
D723,478 S * 3/2015 Turksu D13/168
D723,521 S * 3/2015 Chen D14/218
D733,100 S * 6/2015 Kim D14/218

D750,572 S * 3/2016 Brooking D10/106.1
D760,197 S * 6/2016 Huebner D14/218
D763,359 S * 8/2016 Kwong D14/401
D766,241 S * 9/2016 Maletz D10/104.1
D777,050 S * 1/2017 Will D10/104.1
D798,177 S * 9/2017 Siminoff D10/118.2
D802,463 S * 11/2017 Siminoff D10/118.2
D809,520 S * 2/2018 Jou D14/455
D818,387 S * 5/2018 Chen D10/118.2
D819,476 S * 6/2018 Siminoff D10/118.2
D820,137 S * 6/2018 Siminoff D10/118.2
D820,708 S * 6/2018 Siminoff D10/118.2
D822,005 S * 7/2018 Goltche D14/218
D822,033 S * 7/2018 Rosenberg D14/455
D822,518 S * 7/2018 Siminoff D10/118.2
D822,519 S * 7/2018 Siminoff D10/118.2
D822,520 S * 7/2018 Siminoff D10/118.2
D828,200 S * 9/2018 Ahman D10/118.2
D829,585 S * 10/2018 Siminoff D10/118.2
D830,871 S * 10/2018 Siminoff D10/118.2
D833,313 S * 11/2018 Siminoff D10/118.2

* cited by examiner

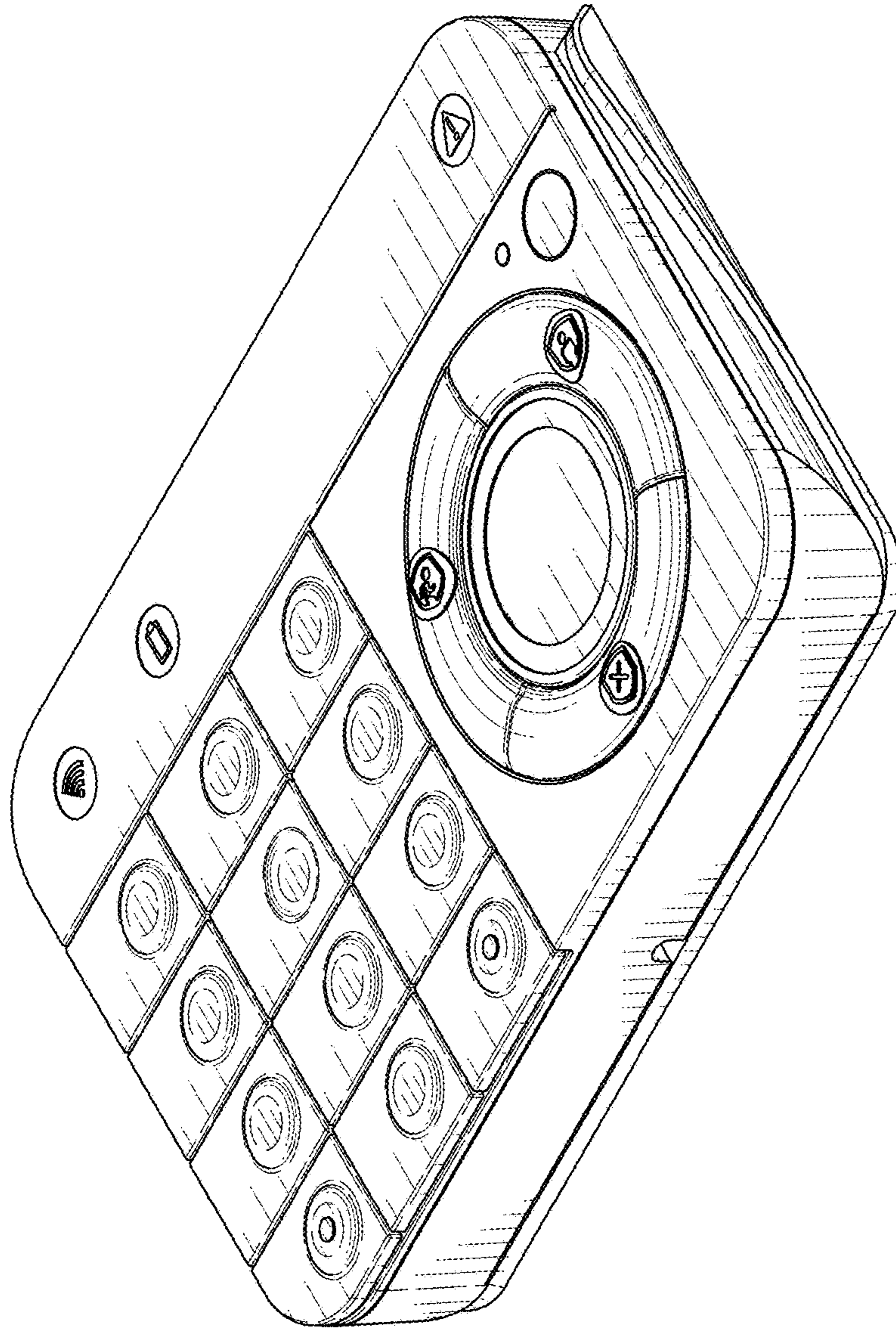


FIG. 1

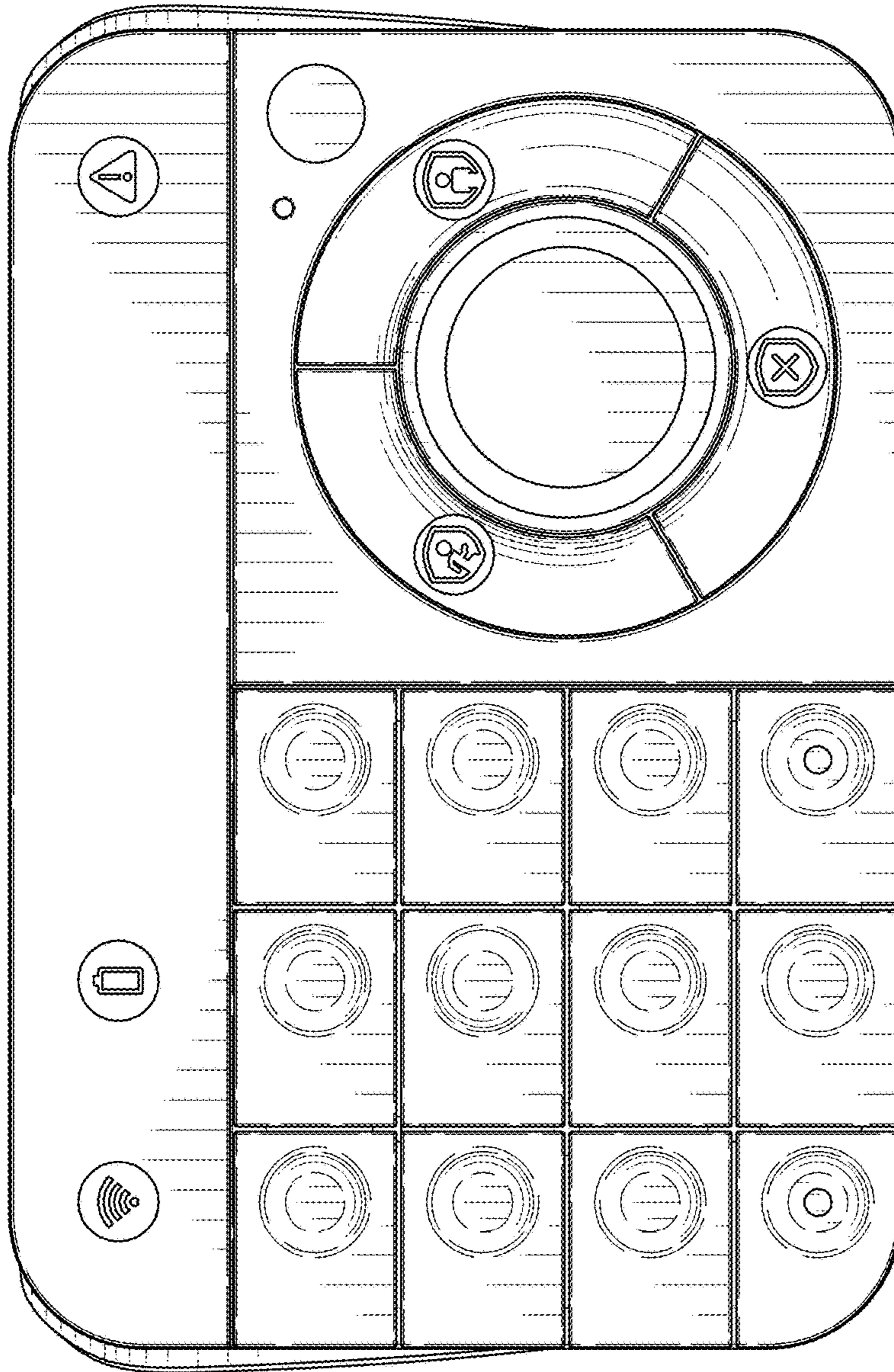


FIG. 2

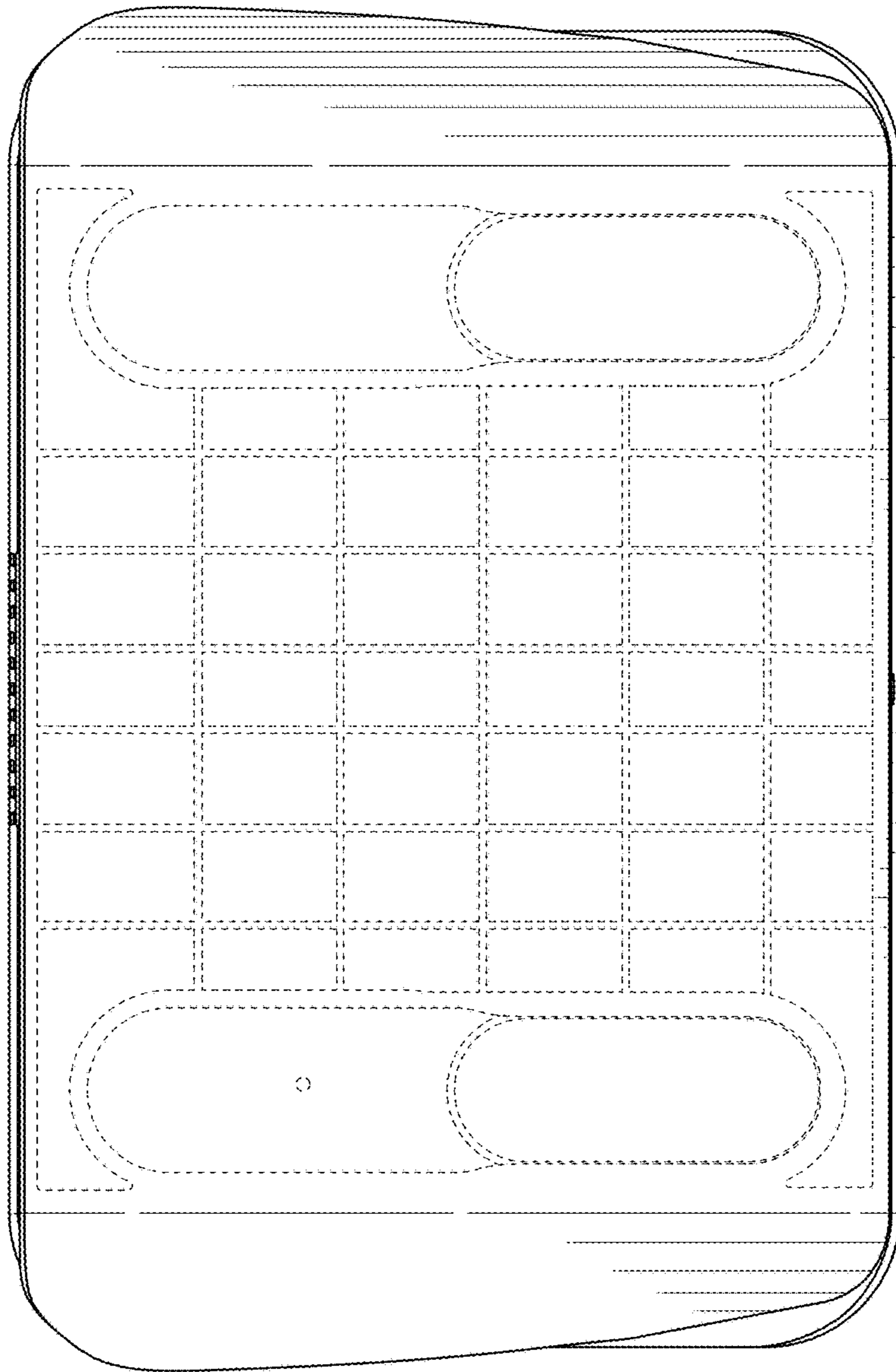


FIG. 3

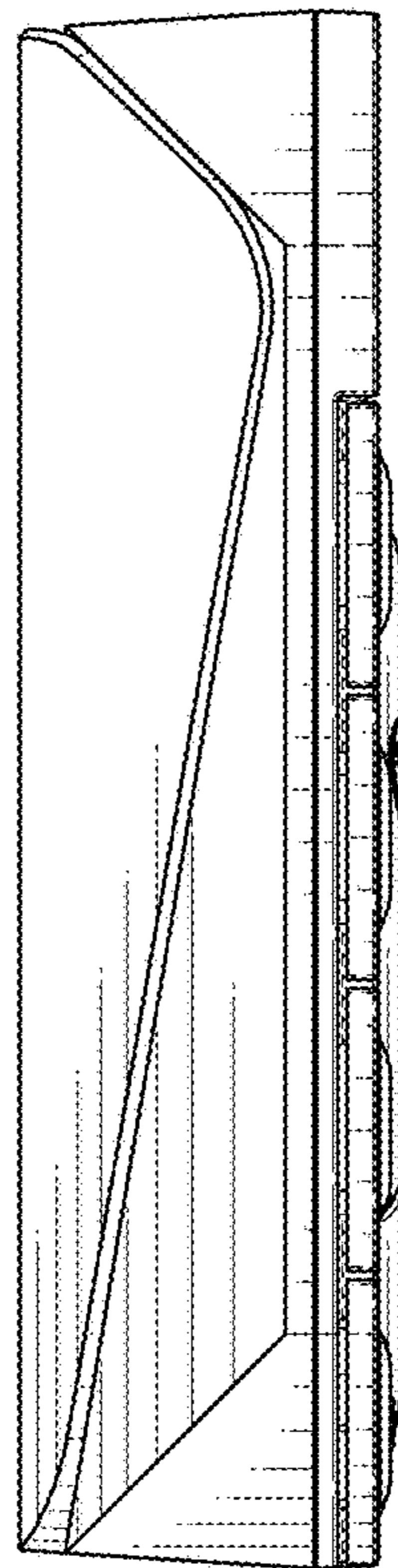


FIG. 4

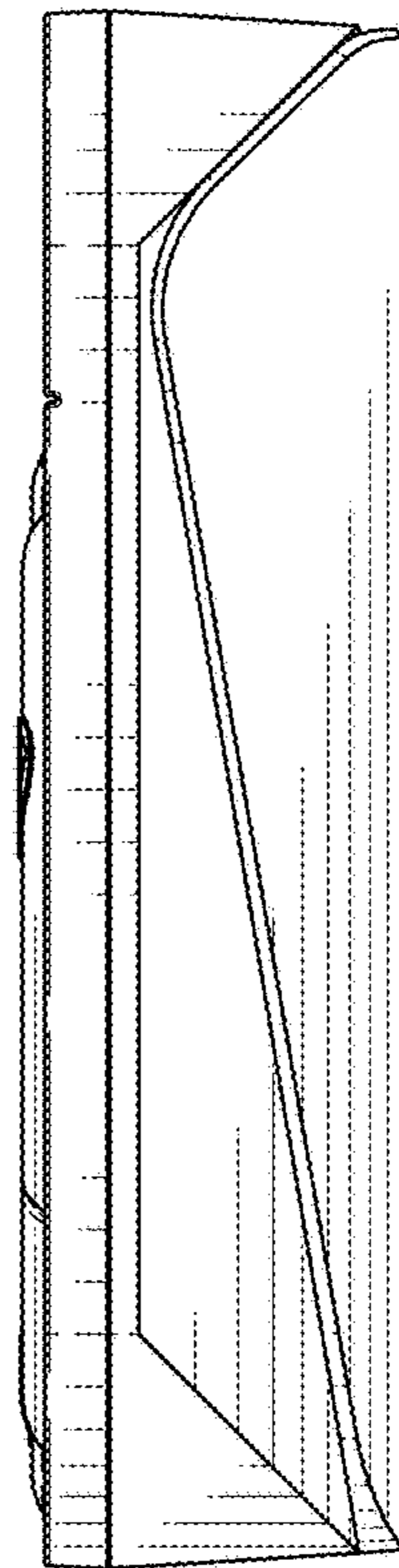


FIG. 5

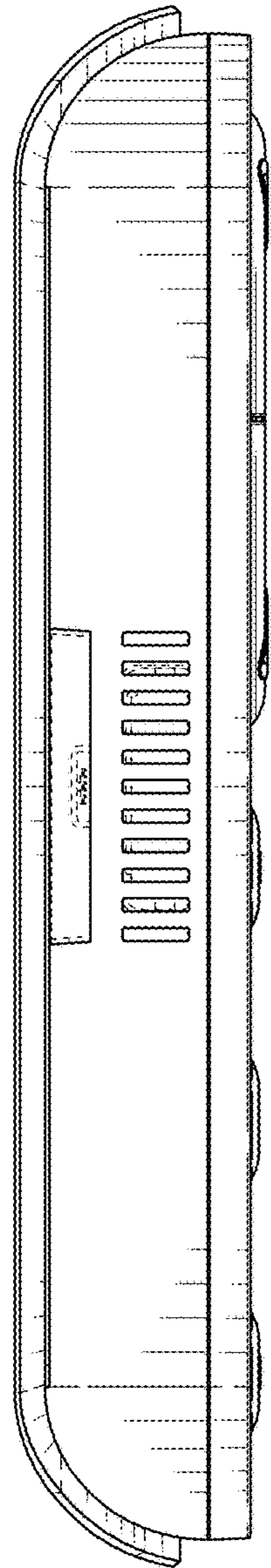


FIG. 6

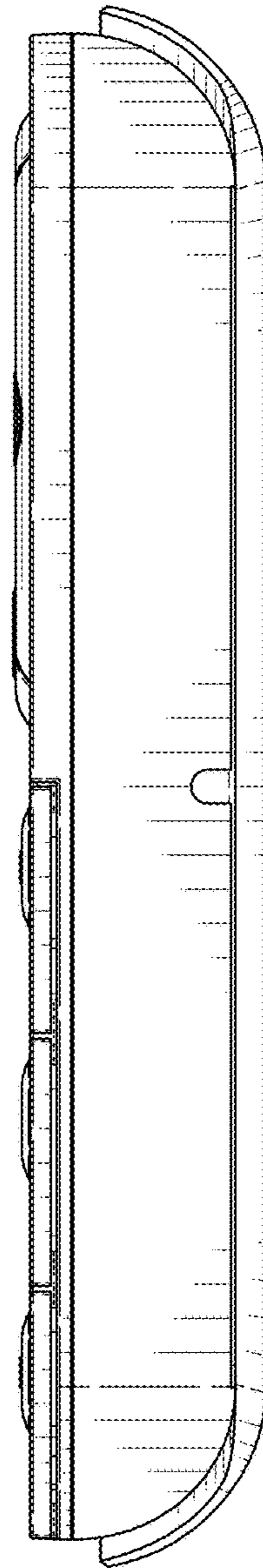


FIG. 7