



US00D849739S

(12) **United States Design Patent** (10) **Patent No.:** **US D849,739 S**
Brix (45) **Date of Patent:** **** May 28, 2019**

(54) **HOLDER**
(71) Applicant: **Andrew Brix**, McMinnville, OR (US)
(72) Inventor: **Andrew Brix**, McMinnville, OR (US)
(**) Term: **15 Years**
(21) Appl. No.: **29/554,390**
(22) Filed: **Feb. 11, 2016**
(51) **LOC (11) Cl.** **14-03**
(52) **U.S. Cl.**
USPC **D14/253**; D14/447
(58) **Field of Classification Search**
USPC D6/512, 524, 528, 534, 540; 206/209.1,
206/362.1, 362.2, 362.3; 211/13.1, 70.6,
211/87.01, 89.01, 66, 86.01; D9/749;
248/206.5, 311.2, 683, 121-127, 205.1,
248/207, 229.1, 346.03, 346.06, 424, 469,
248/472, 489, 495, 560, 674, 676;
220/23.4, 254, 811; D8/349, 354, 355,
D8/373; D14/251-253, 188, 203.8, 204,
D14/209, 209.1, 217, 238.1, 375, 433,
D14/451, 452, 447, 439
CPC A45D 27/29; B26B 21/00; B26B 21/06;
B26B 29/00; A47G 23/0225; A47G
23/0266; H01G 7/0252; B60N 3/103;
B25H 1/0071; F16M 13/022; H04M
1/72527; G06Q 30/0603; H04L 65/4084;
H04L 65/607; H04L 67/04
See application file for complete search history.

(56) **References Cited**
U.S. PATENT DOCUMENTS
D268,531 S * 4/1983 Leppard D19/34.2
5,692,615 A * 12/1997 Fischer A61B 50/37
206/440
D392,827 S * 3/1998 Yemini D6/574

6,449,171 B1 * 9/2002 Karnes H05K 5/023
16/110.1
D487,391 S * 3/2004 Balaban D8/354
6,877,619 B1 * 4/2005 Han A47K 1/09
211/65
D626,407 S * 11/2010 Tedesco D8/380
D658,486 S * 5/2012 Hecht D8/354
D735,922 S * 8/2015 Yamauchi D16/239
2001/0003332 A1 * 6/2001 Ventnor A47K 1/09
211/70.6
2008/0011926 A1 * 1/2008 Cappellino B60N 3/10
248/311.2

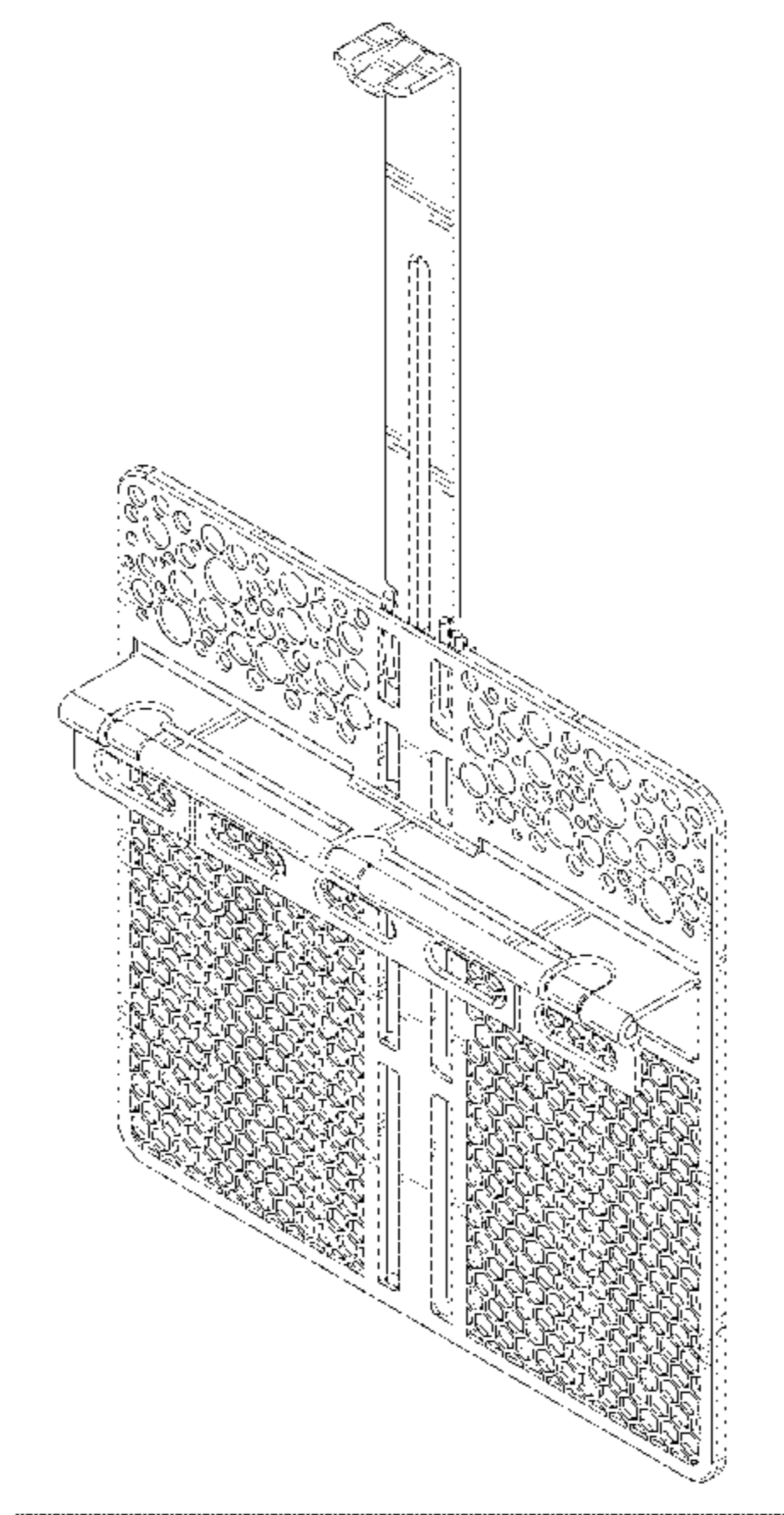
(Continued)

Primary Examiner — David G Muller
Assistant Examiner — Nathan M Johnston
(74) *Attorney, Agent, or Firm* — Spencer Fane LLP;
Steven J. Laureanti

(57) **CLAIM**
The ornamental design for a holder, as shown and described.

DESCRIPTION
FIG. 1 is a perspective view of a holder showing my new design in a retracted position;
FIG. 2 is a front elevation view thereof;
FIG. 3 is a rear elevation view thereof;
FIG. 4 is a right side elevation view thereof;
FIG. 5 is a left side elevation view thereof;
FIG. 6 is a top plan view thereof;
FIG. 7 is a bottom plan view thereof;
FIG. 8 is another perspective view thereof;
FIG. 9 is a perspective view thereof in an extended position;
FIG. 10 is a front elevation view thereof;
FIG. 11 is a rear elevation view thereof;
FIG. 12 is a right side elevation view thereof;
FIG. 13 is a left side elevation view thereof;
FIG. 14 is a top plan view thereof;
FIG. 15 is a bottom plan view thereof; and,
FIG. 16 is another perspective view thereof.

1 Claim, 12 Drawing Sheets



(56)

References Cited

U.S. PATENT DOCUMENTS

2009/0159763 A1* 6/2009 Kim F16M 13/00
248/174
2010/0246156 A1* 9/2010 Dai G06F 1/187
361/825

* cited by examiner

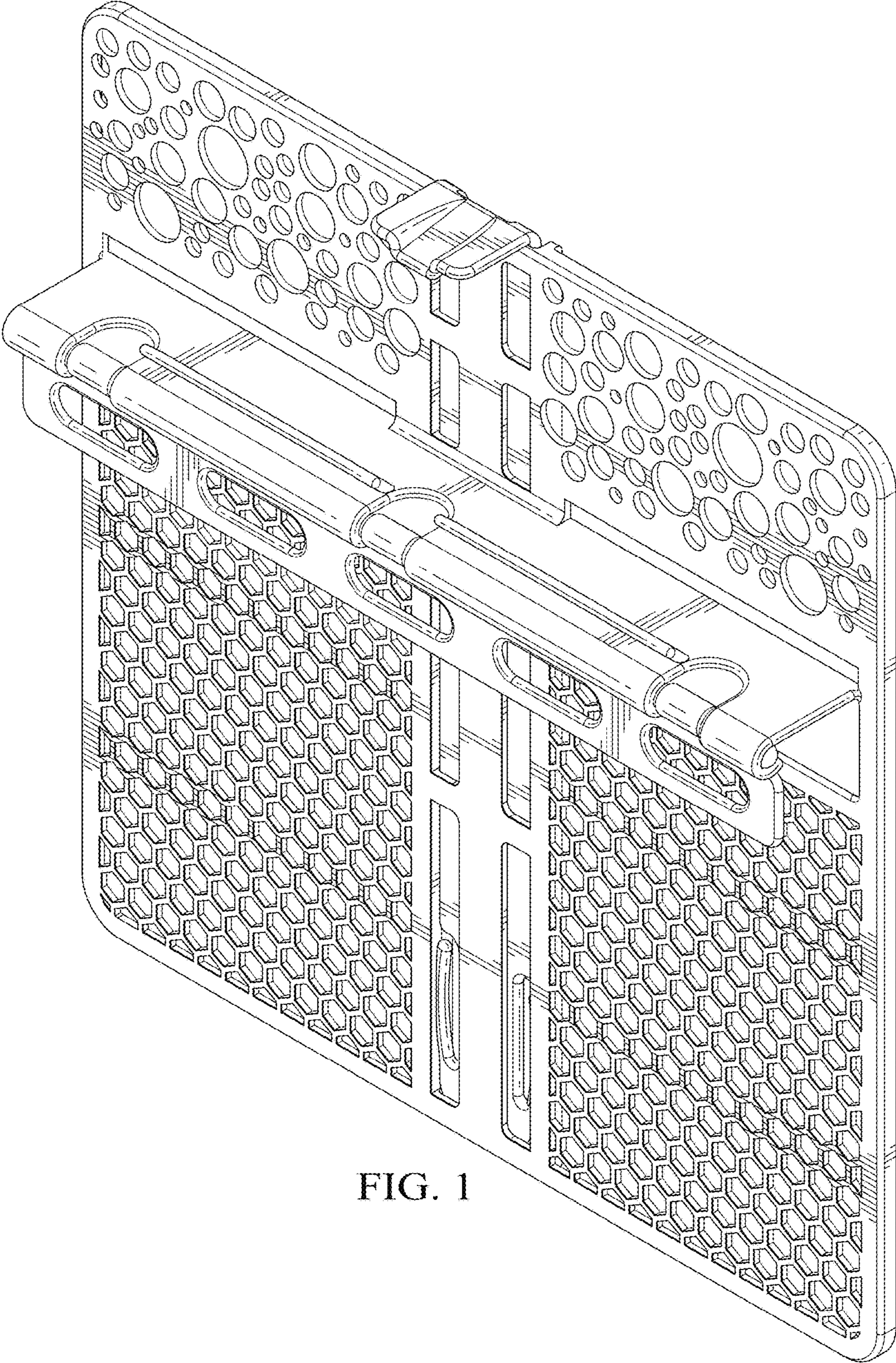


FIG. 1

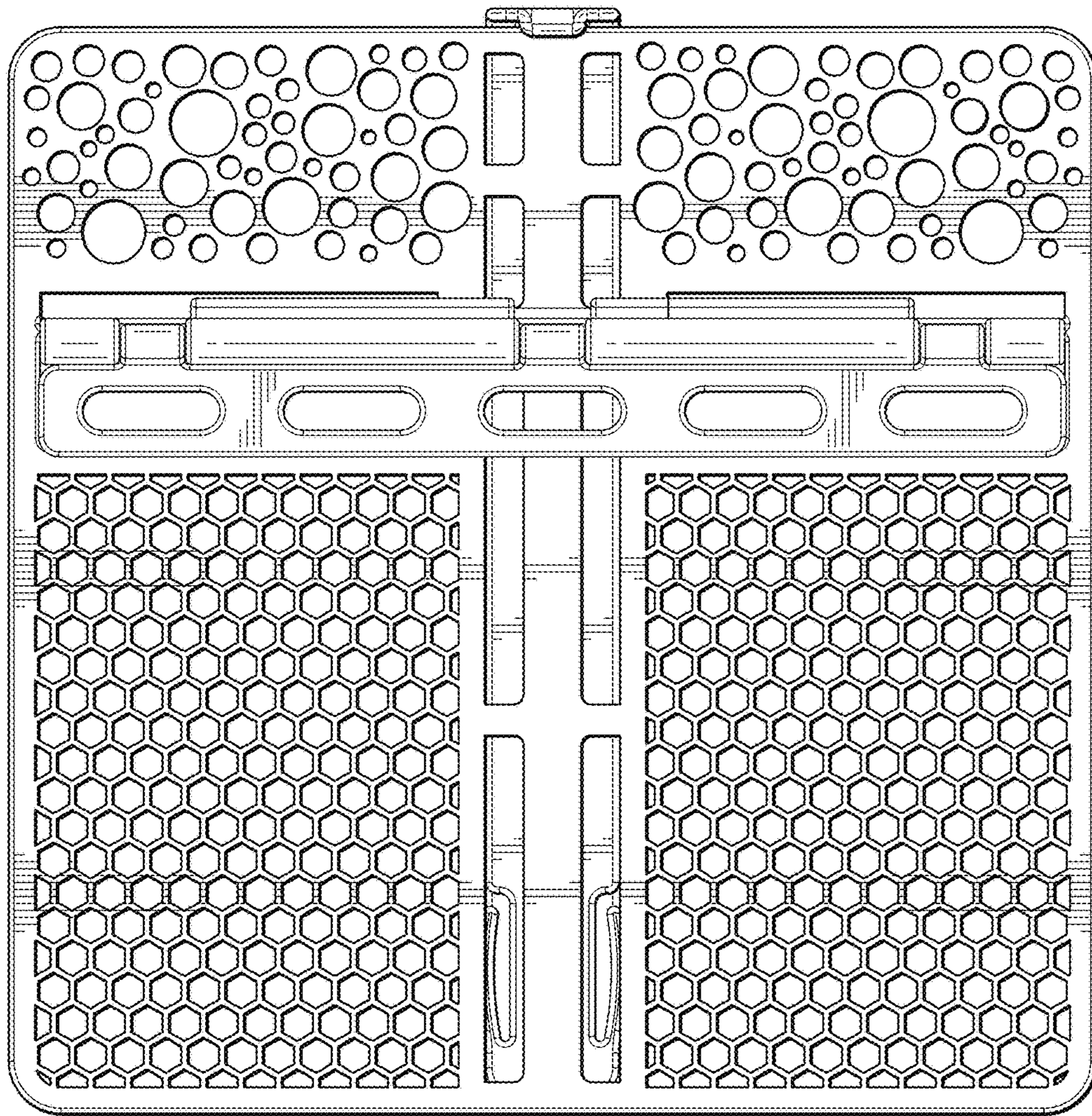


FIG. 2

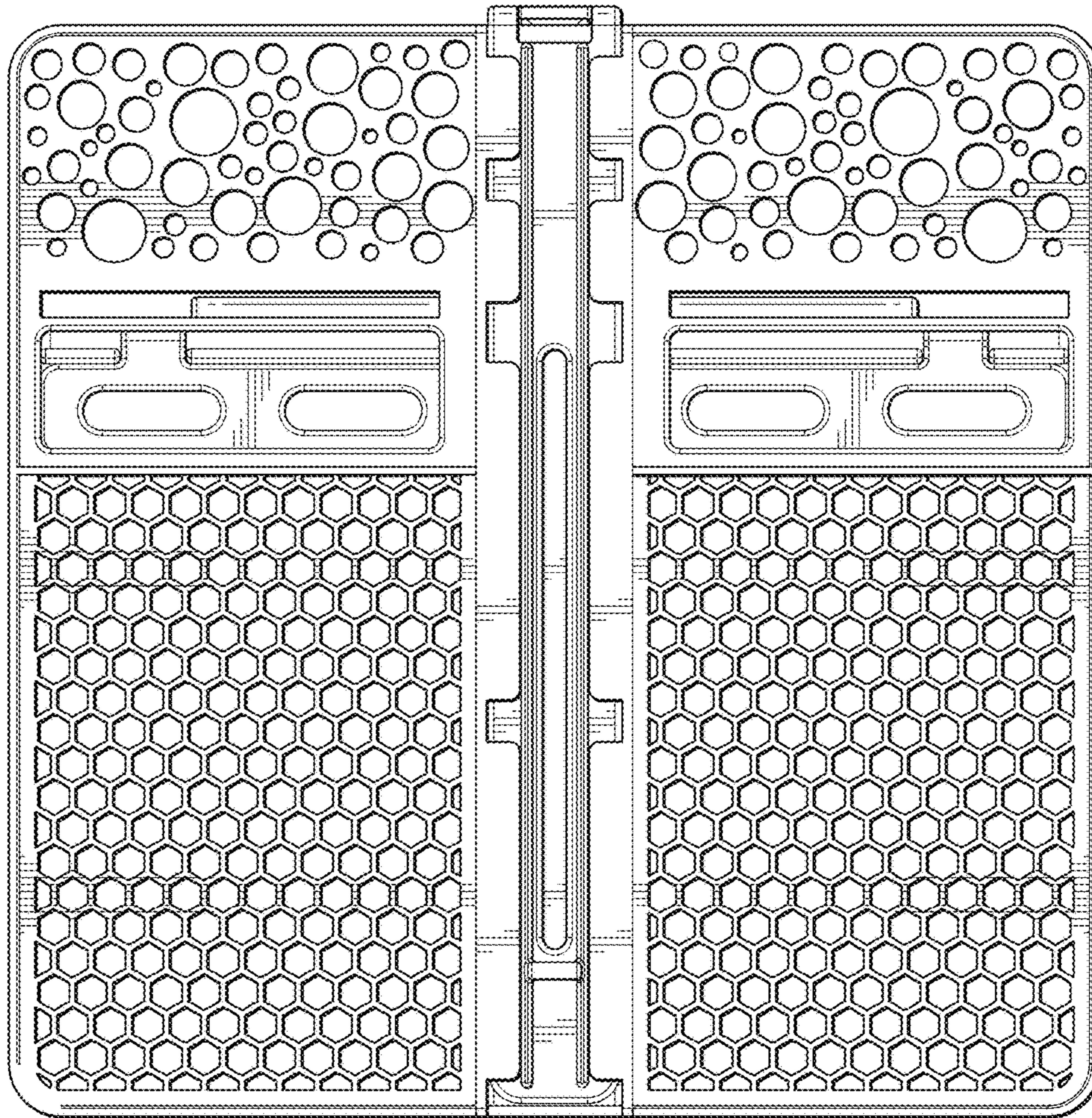


FIG. 3

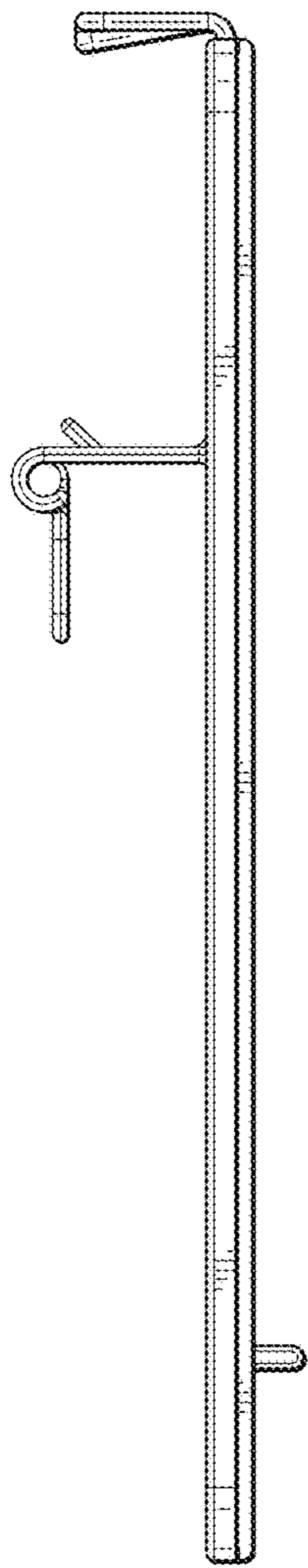


FIG. 4

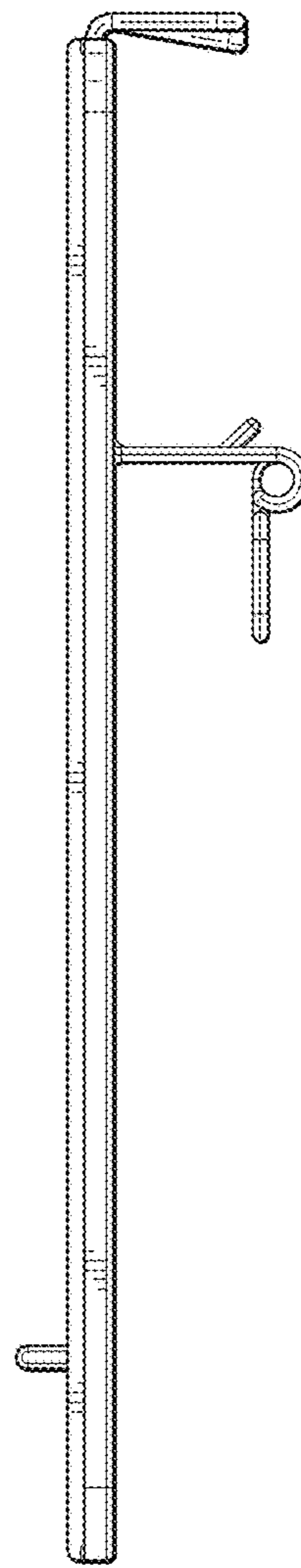


FIG. 5

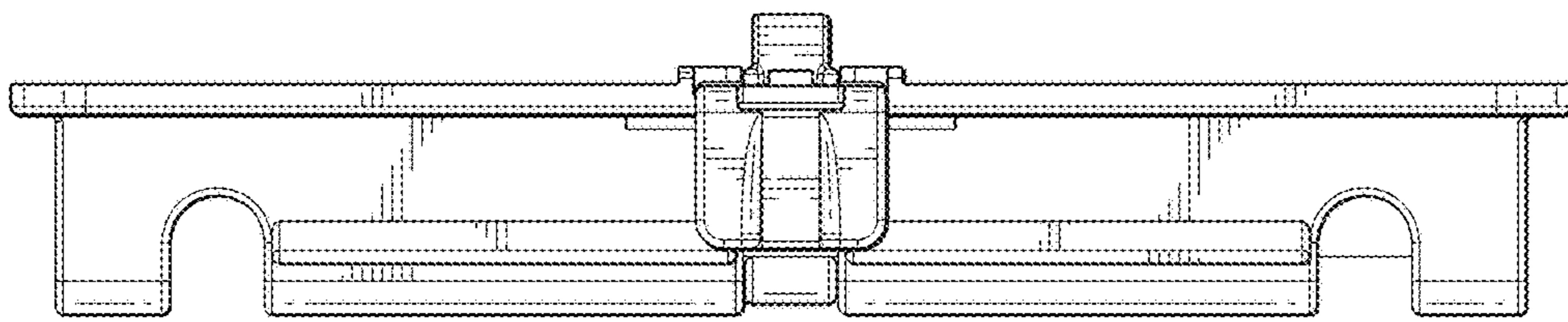


FIG. 6

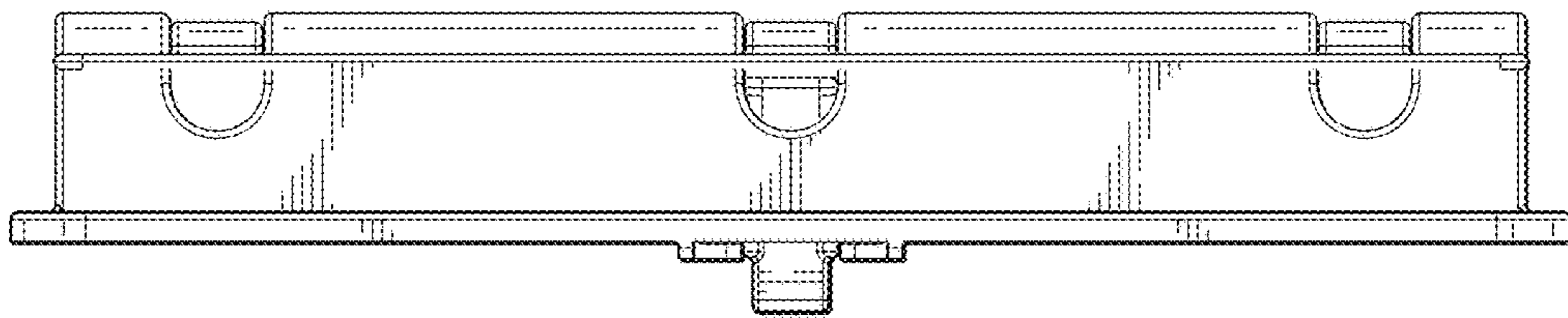


FIG. 7

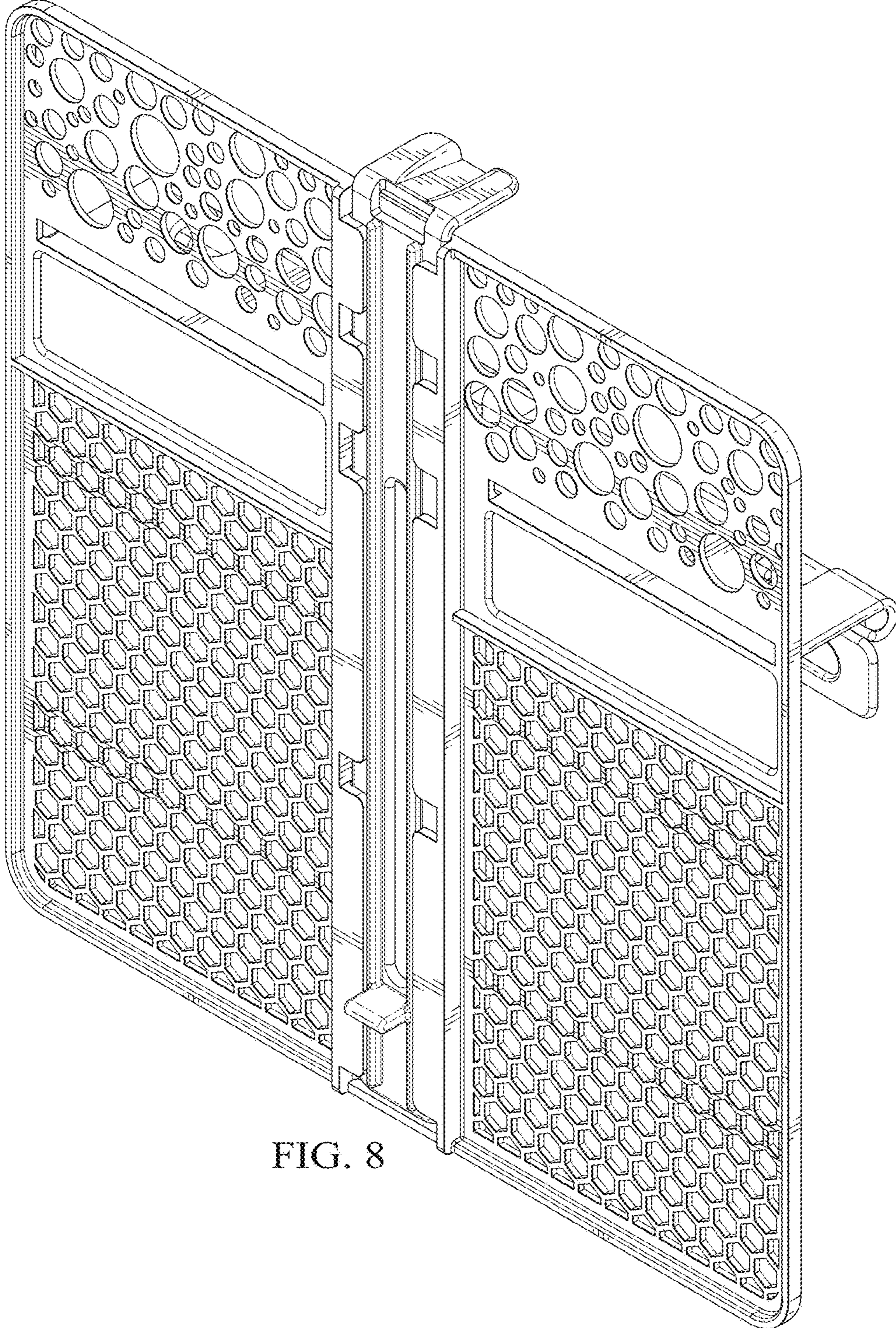


FIG. 8

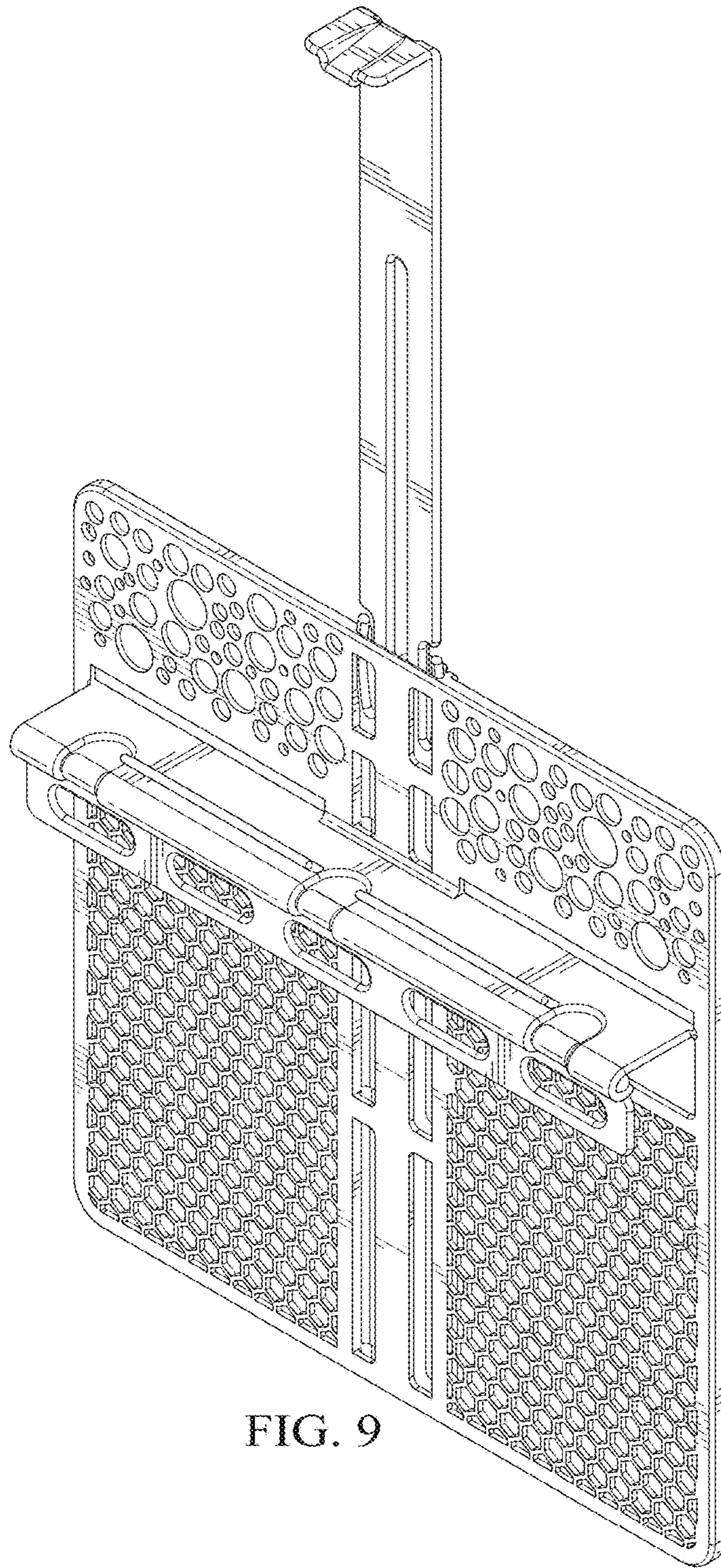


FIG. 9

FIG. 10

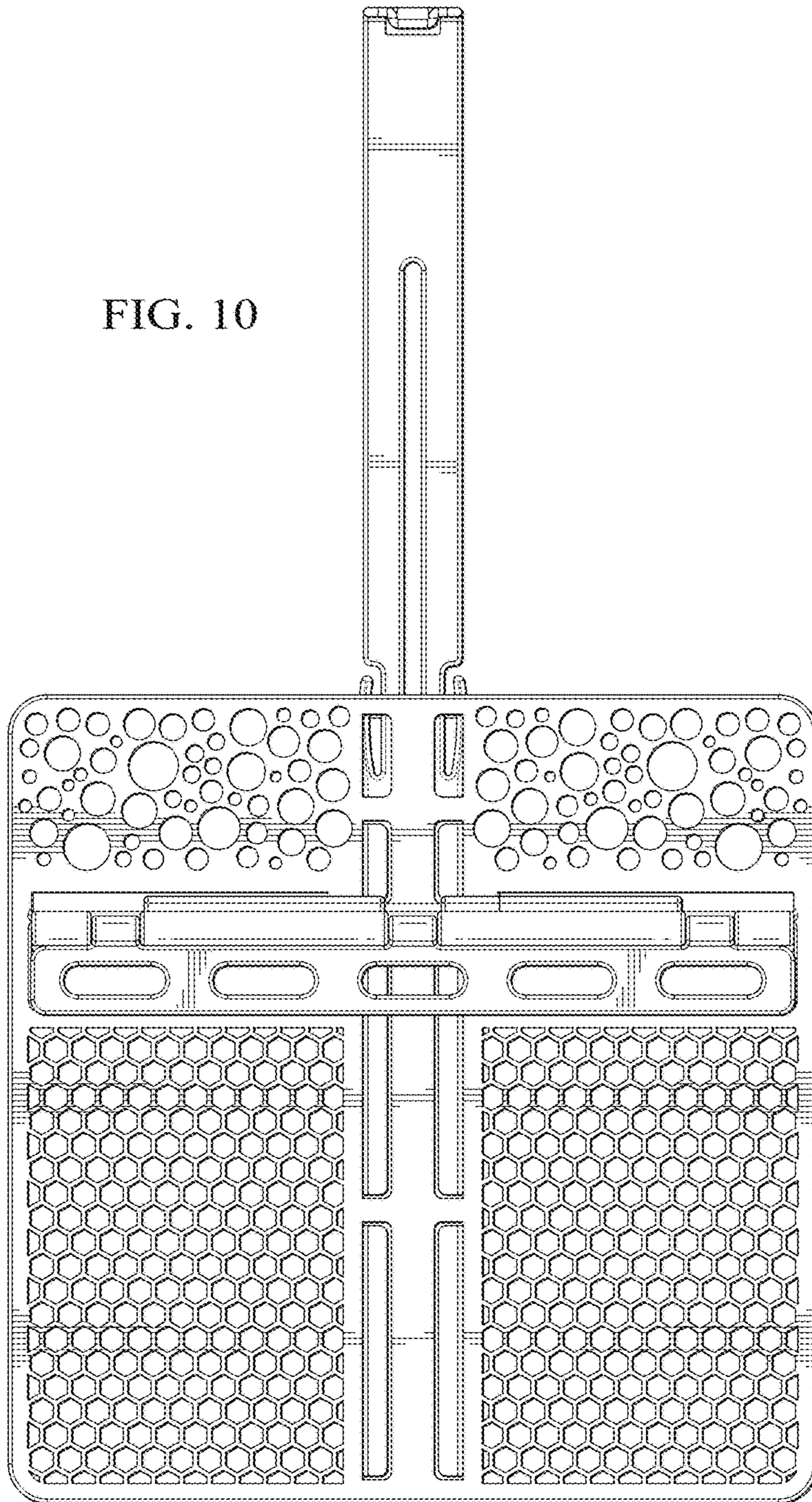


FIG. 11

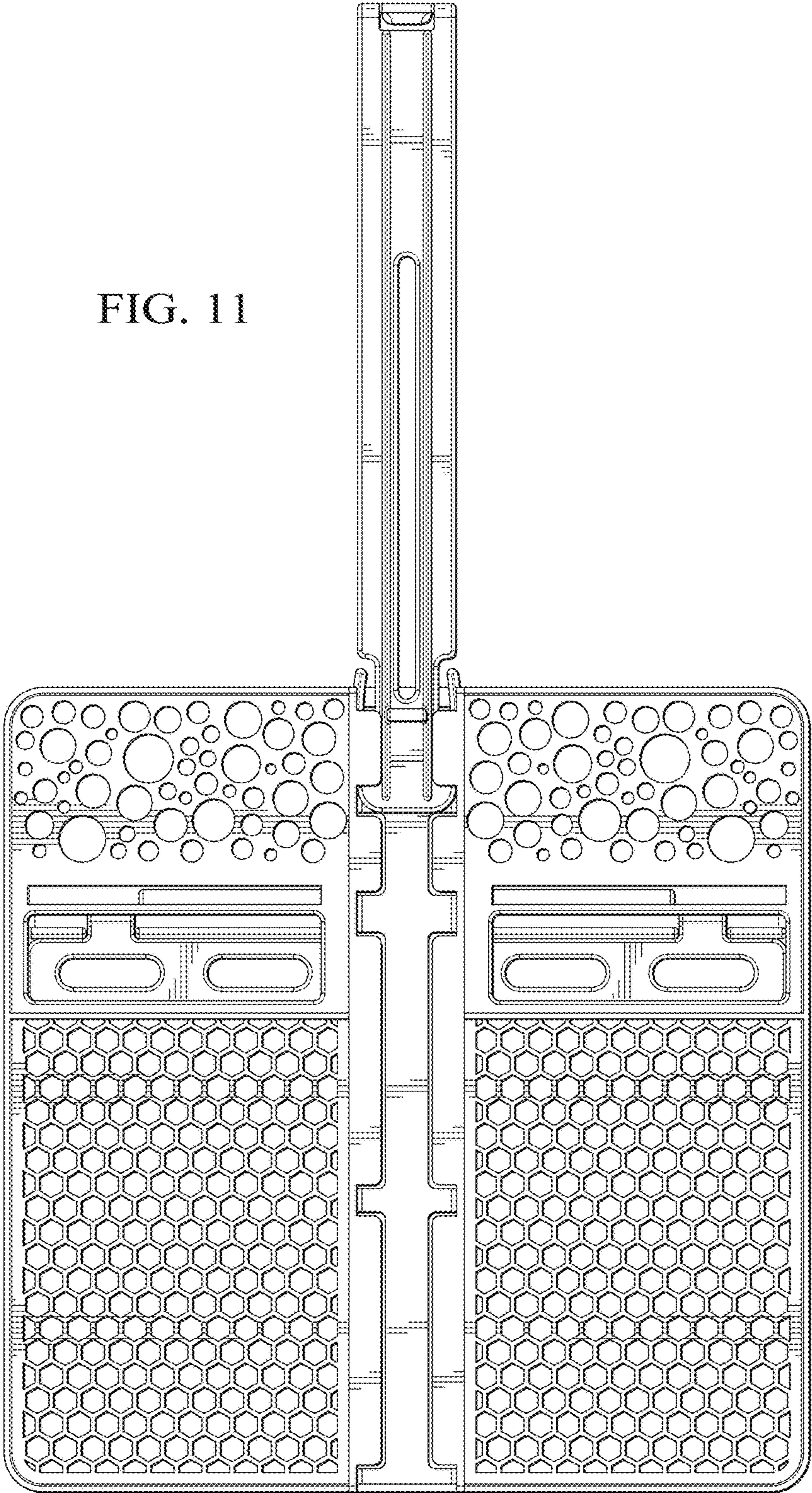


FIG. 12

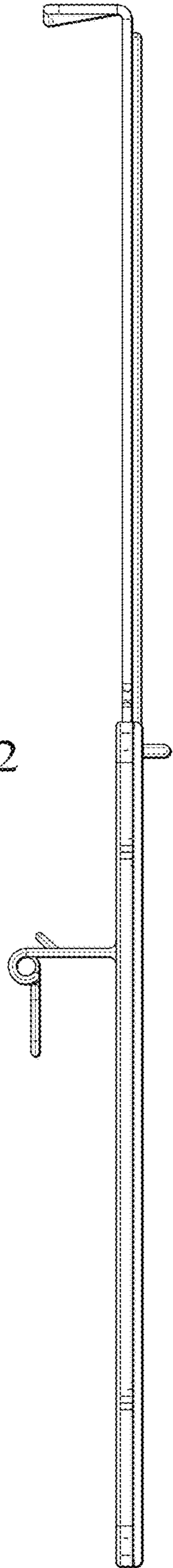
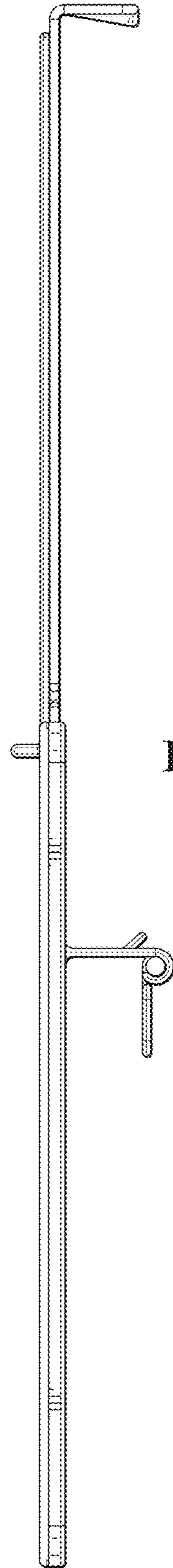


FIG. 13



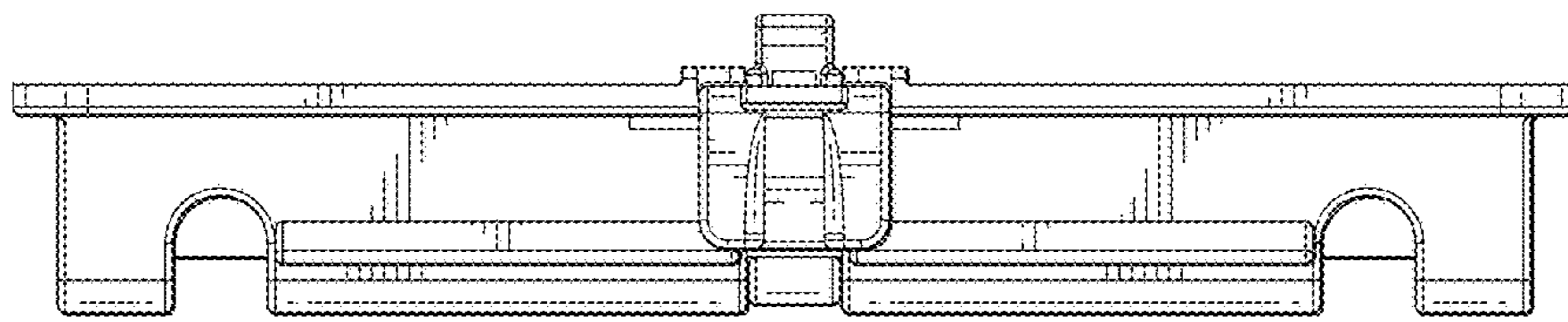


FIG. 14

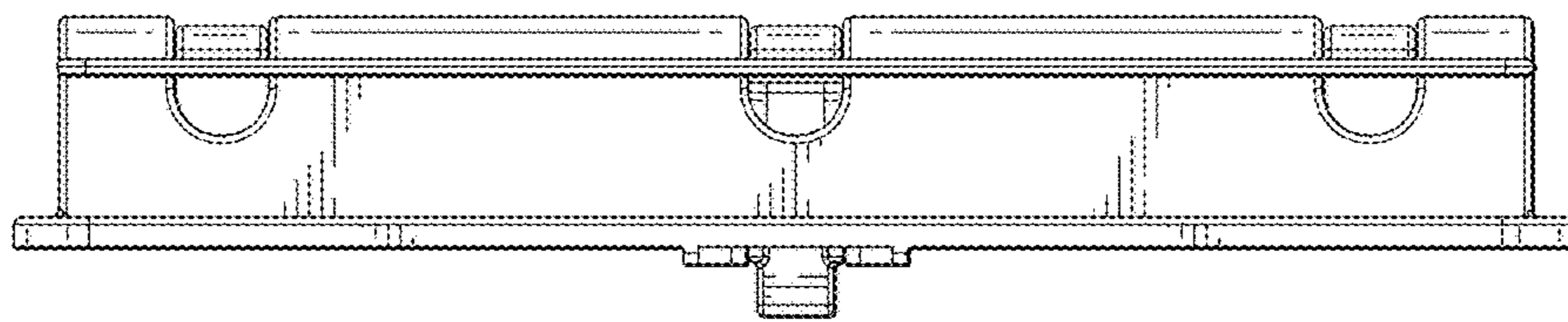


FIG. 15

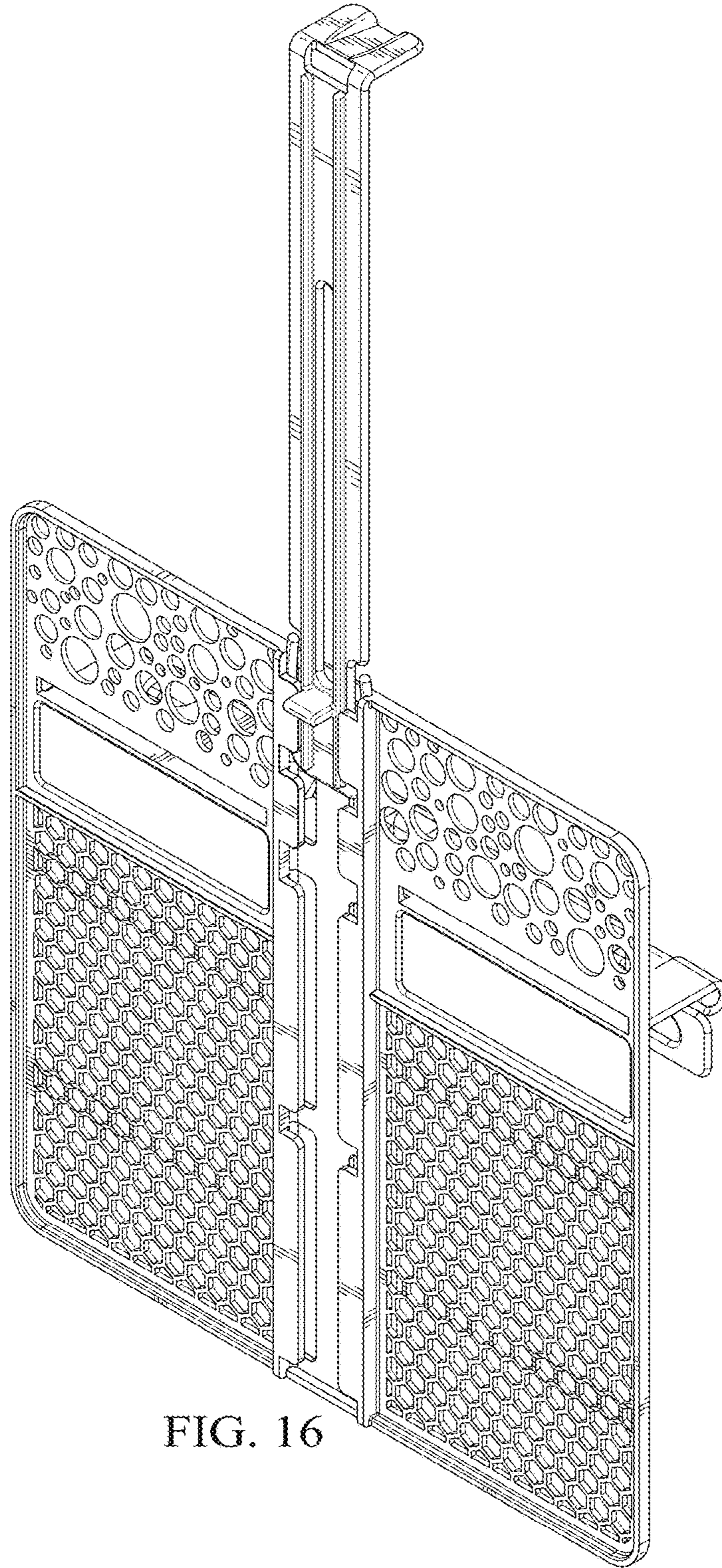


FIG. 16