



US00D849738S

(12) **United States Design Patent** (10) **Patent No.:** **US D849,738 S**  
**Yun** (45) **Date of Patent:** **\*\* May 28, 2019**

(54) **CASE FOR ELECTRONIC COMMUNICATIONS DEVICE**  
 (71) Applicant: **SPIGEN KOREA CO., LTD.**, Seoul (KR)  
 (72) Inventor: **Sun Woo Yun**, Seoul (KR)  
 (73) Assignee: **SPIGEN KOREA CO., LTD.**, Seoul (KR)  
 (\*\*) Term: **15 Years**  
 (21) Appl. No.: **29/632,966**  
 (22) Filed: **Jan. 11, 2018**  
 (51) **LOC (11) Cl.** ..... **14-03**  
 (52) **U.S. Cl.**  
 USPC ..... **D14/250**  
 (58) **Field of Classification Search**  
 USPC ..... D14/248, 439, 203.3–203.7, 447, 238.1, D14/440, 251–253, 217, 240, 250; D3/201, 218, 247, 269, 273, 301, 303; D13/103, 107–108, 119  
 CPC ..... H04B 1/3888; H04M 1/0283; H04M 1/0202; A45C 1/06; A45C 2011/002; A45C 11/00; A45C 13/02; A45F 2005/026; A45F 2200/0525; A45F 2200/0516  
 See application file for complete search history.

(56) **References Cited**

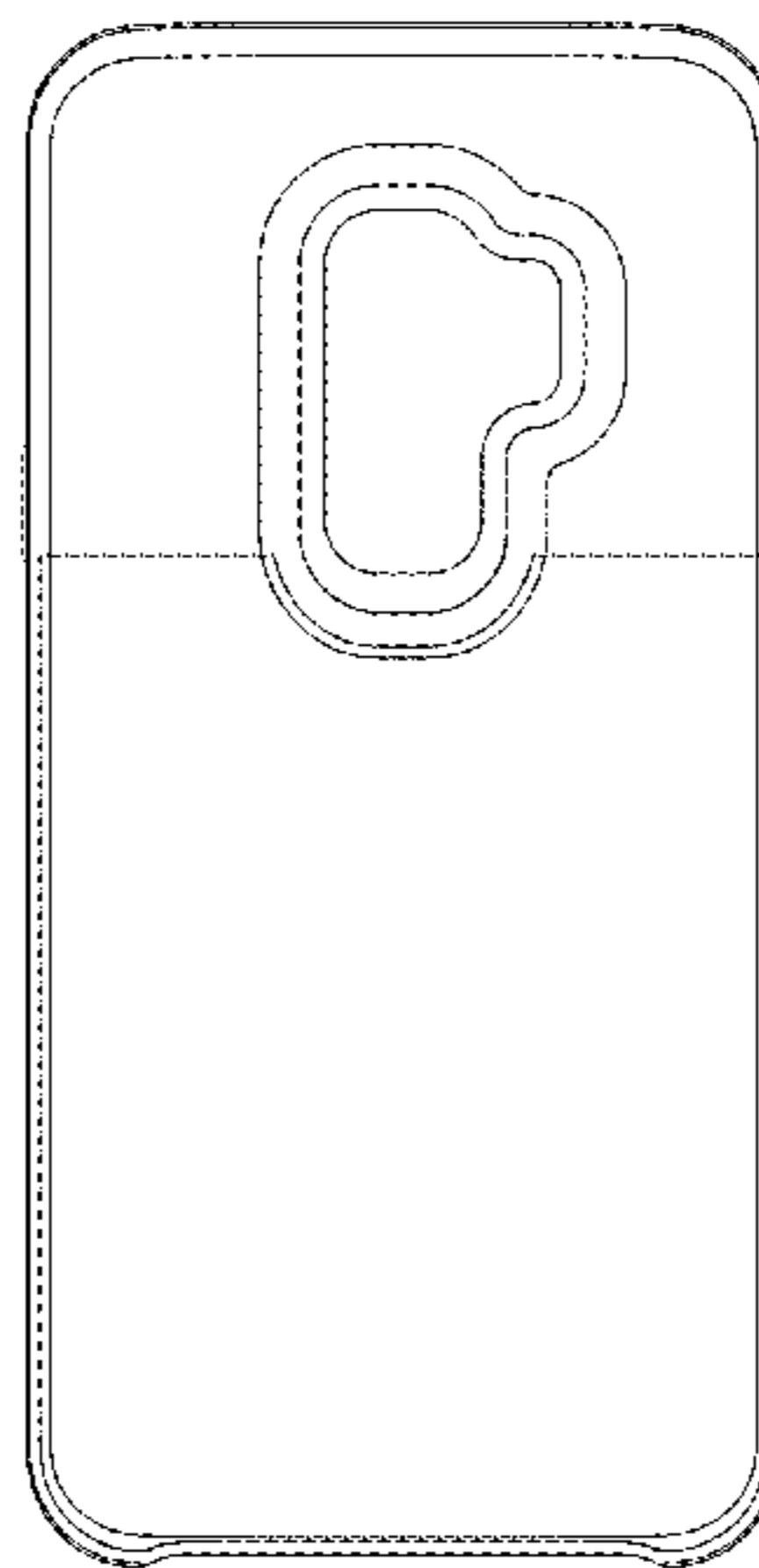
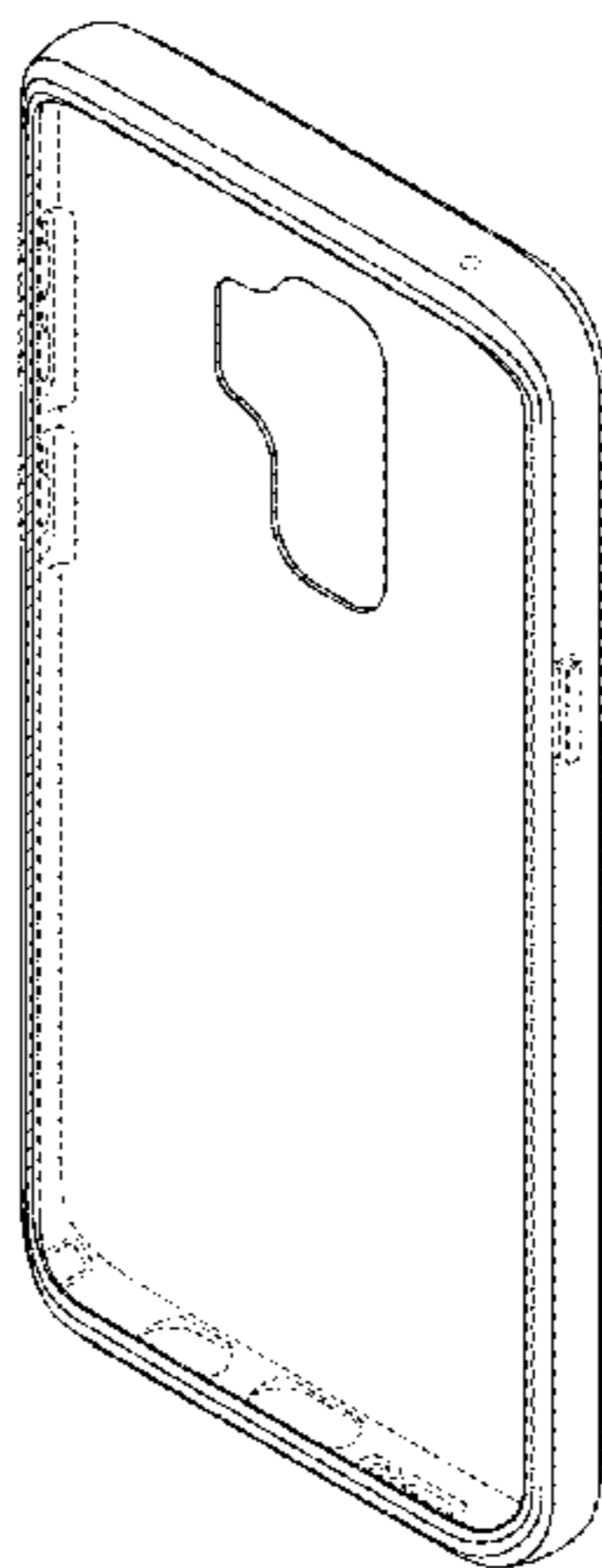
**U.S. PATENT DOCUMENTS**

D615,078 S \* 5/2010 Bradley ..... D14/250  
 D619,361 S 7/2010 Andre et al.  
 D623,640 S \* 9/2010 Freeman ..... D14/250  
 D624,909 S \* 10/2010 Huskinson ..... D14/250  
 D646,265 S 10/2011 Fathollahi  
 8,028,794 B1 \* 10/2011 Freeman ..... A45C 11/00 181/202  
 D649,538 S \* 11/2011 Magness ..... D14/250  
 D650,371 S 12/2011 Wibby et al.  
 D650,376 S \* 12/2011 Wibby ..... D14/250  
 D653,202 S \* 1/2012 Hasbrook ..... D13/103  
 D654,068 S \* 2/2012 Monaco ..... D14/250  
 D663,263 S 7/2012 Gupta et al.  
 D670,689 S \* 11/2012 Wang ..... D14/250  
 D676,032 S \* 2/2013 Stump ..... D14/250  
 D681,615 S 5/2013 Fathollahi

D682,196 S 5/2013 Leung  
 D687,027 S \* 7/2013 Melanson ..... D14/250  
 8,504,127 B2 8/2013 Altschul et al.  
 8,517,172 B1 8/2013 Chang  
 D694,743 S \* 12/2013 Monaco ..... D14/250  
 D695,746 S \* 12/2013 Magness ..... D14/440  
 D698,774 S \* 2/2014 Wardy ..... D14/250  
 8,726,952 B2 5/2014 Jambunathan et al.  
 D707,965 S 7/2014 Requa  
 D710,346 S \* 8/2014 Smith ..... D14/250  
 D711,860 S \* 8/2014 Daniel ..... D14/250  
 D716,045 S 10/2014 Requa  
 8,971,975 B2 3/2015 Ramies et al.  
 D731,472 S \* 6/2015 Lee ..... D14/250  
 9,049,283 B1 6/2015 Kim  
 D735,207 S \* 7/2015 Dahlberg ..... D14/440  
 D741,845 S 10/2015 Kim  
 D743,931 S 11/2015 Hubbard et al.  
 D746,805 S 1/2016 Kim  
 9,241,551 B2 1/2016 Lawson et al.  
 D749,068 S 2/2016 Zaborski et al.  
 D749,557 S 2/2016 Feng  
 D753,099 S 4/2016 Kim  
 D756,911 S 5/2016 Gupta et al.  
 D759,966 S 6/2016 Pignotti  
 D763,842 S 8/2016 Chang et al.  
 D765,635 S 9/2016 Chang et al.  
 D765,638 S 9/2016 Gaylord et al.  
 D765,640 S 9/2016 Bulkley et al.  
 D765,641 S 9/2016 Bulkley et al.  
 D770,435 S \* 11/2016 Daniel ..... D14/250  
 D776,647 S \* 1/2017 Kim ..... D14/250  
 D780,164 S 2/2017 Lee  
 D781,835 S 3/2017 Kim et al.  
 D788,093 S 5/2017 Lee et al.  
 D798,286 S 9/2017 Roberts et al.  
 D800,714 S 10/2017 Lee et al.  
 D801,323 S 10/2017 Kim  
 D803,206 S \* 11/2017 Kim ..... D14/250  
 D806,060 S \* 12/2017 Kim ..... D14/250  
 D810,064 S \* 2/2018 Kim ..... D14/250  
 D816,073 S \* 4/2018 Kim ..... D14/250  
 2009/0160400 A1 \* 6/2009 Woud ..... H02J 7/0042 320/115  
 2011/0159324 A1 \* 6/2011 Huang ..... H01M 2/1022 429/7

**OTHER PUBLICATIONS**

“Spigen Slim Armor CS Galaxy S7 Case with Slim Dual Layer Wallet Design and Card Slot Holder for Samsung Galaxy S7 2016—Gunmetal”, <https://www.amazon.com/dp/B01AUR1HF4>, Earliest review date of Mar. 11, 2016.



“Spigen Slim Armor CS Galaxy S7 Edge Case with Slim Dual Layer Wallet Design and Card Slot Holder for Galaxy S7 Edge 2016—Gunmetal”, <https://www.amazon.com/dp/B01CTRI5VM>, Earliest review date of Apr. 22, 2016.

“iPhone 7 Plus Case, Spigen® [Slim Armor CS] Card Holder [Gunmetal] Slim Fit Dual Layer Protective with Card Slot Holder Wallet Case for iPhone 7 Plus (2016)—(043CS20526)”, <https://www.amazon.com/dp/B01GIWFLQ6>, Date first available at Amazon.co.uk of Aug. 2, 2016, Downloaded on Aug. 23, 2018.

“VRS Design Damda Glide Samsung Galaxy Note 7 Case—Blue Coral”, <https://www.mobilefun.com/vrs-design-damda-glide-samsung-galaxy-note-7-case-blue-coral-60422>, Earliest review date of Sep. 9, 2016.

“Galaxy S7 Edge Case Damda Glide Series”, <https://vrsdesign.com/products/damda-glide-series-galaxy-s7-edge-case>, Earliest review posted on 2016, Downloaded on Dec. 17, 2018.

“Galaxy S7 Case, VRS Design [Damda Glide Series] Semi Automatic Card Slot with Military Grade Protection (Satin Silver)”, <https://www.amazon.com/dp/B01LWRTPW>, Earliest review date of Nov. 8, 2016.

“iPhone 6 Plus/6s Plus Case Damda Glide Series”, <https://vrsdesign.com/products/iphone-6-plus-6s-plus-damda-glide-series>, Earliest review posted on 2016, Downloaded on Dec. 18, 2018.

“iPhone 7 Plus/8 Plus Case, VRS Design [Damda Glide Series] Semi Automatic Card Slot with Military Grade Protection (Steel Silver)”, <https://www.amazon.com/dp/B01LY0IWRH>, Earliest review date of Oct. 18, 2016.

“VRS Design [Damda Glide Series] Semi Automatic Card Slot Shockproof Case Compatible with Apple iPhone 7/8—:Steel Silver)”, <https://www.amazon.com/dp/B01LXD3F6L>, Earliest review date of Oct. 11, 2016.

“iPhone 6/6s Case Damda Glide Series”, <https://vrsdesign.com/products/damda-glide-series-2>, Earliest review posted on 2016, Downloaded on Dec. 17, 2018.

“VRS Design unveils semi-automatic Damda Glide cases for the Samsung Galaxy Note 7”, <https://www.pmeasured.com/news-releases/vrs-design-unveils-semi-automatic-damda-glide-cases-for-the-samsung-galaxy-note-7-300299529.html>, Published on Jul. 18, 2016.

“Galaxy Note 7 Case Preview from VRS Design: Damda Glide Case!”, <https://www.youtube.com/watch?v=3aoPDXLbrRk>, Published on Aug. 1, 2016.

“iPhone 6 Case, Verus [Damda Slide][Dark Silver]-[Wallet Card Slot][Heavy Duty Protection] for Apple iPhone 6 4.7”, <https://www.amazon.com/dp/B01EO2PE1O>, Earliest review date of May 24, 2016.

“Galaxy Note 4 Case, Verus [Damda Slide][Dark Silver]-[Wallet Card Slot][Heavy Duty Protection] for Samsung Note 4”, <https://www.amazon.com/dp/B00MJE610G>, Earliest review date of Oct. 18, 2014.

“Galaxy Note 5 Case, Verus [Damda Slide][Dark Silver]-[Wallet Card Slot][Heavy Duty Protection] for Samsung Note 5”, <https://www.amazon.com/dp/B00VN6E8KS>, Earliest review date of Aug. 24, 2015.

“Galaxy S6 Edge Case, Verus [Damda Slide][Dark Silver]-[Wallet Card Slot][Heavy Duty Protection] for Samsung galaxy s6 edge”, <https://www.amazon.com/dp/B00U0MDTEM>, Earliest review date of Apr. 2, 2015.

“Galaxy S6 Edge Plus Case, Verus [Damda Slide][Dark Silver]-[Wallet Card Slot][Heavy Duty Protection] for Samsung galaxy s6 plus”, <https://www.amazon.com/dp/B013F8CLK0>, Earliest review date of Aug. 29, 2015.

“iPhone 6 Plus Case, Verus [Damda Slide][Dark Silver]-[Wallet Card Slot][Heavy Duty] for Apple iPhone 6 Plus 5.5”, <https://www.amazon.com/dp/B01EO2P5H2>, Earliest review date of May 26, 2016.

“iPhone 6S Case, Verus [Damda Slide][Dark Silver]-[Wallet Card Slot][Heavy Duty Protection] for Apple iPhone 6 6s 4.7”, <https://www.amazon.com/dp/B00M9UBQ2A>, Earliest review date of Sep. 16, 2014.

“iPhone 6S Plus Case, Verus [Damda Slide][Dark Silver]-[Wallet Card Slot][Heavy Duty] for Apple iPhone 6 6s Plus 5.5”, <https://www.amazon.com/dp/B00NHZZ1ZY>, Earliest review date of Oct. 5, 2014.

\* cited by examiner

*Primary Examiner* — Carla J Wright

(74) *Attorney, Agent, or Firm* — Heedong Chae; Lucem, PC

(57)

## CLAIM

The ornamental design for a case for electronic communications device, as shown and described.

## DESCRIPTION

FIG. 1 is a front perspective view of a case for electronic communications device showing my new design;

FIG. 2 is a rear perspective view thereof;

FIG. 3 is a front elevational view thereof;

FIG. 4 is a rear elevational view thereof;

FIG. 5 is a left side elevational view thereof;

FIG. 6 is a right side elevational view thereof;

FIG. 7 is a top plan view thereof;

FIG. 8 is a bottom plan view thereof;

FIG. 9 is a front perspective view showing the inner shell component of the case in isolation;

FIG. 10 is a rear perspective view showing the inner shell component of the case in isolation;

FIG. 11 is a front perspective view showing the outer frame component of the case in isolation;

FIG. 12 is a rear perspective view showing the outer frame component of the case in isolation;

FIG. 13 is a front perspective view showing the rear compartment cover component of the case in isolation;

FIG. 14 is a rear perspective view showing the rear compartment cover component of the case in isolation;

FIG. 15 is an exploded front perspective view showing the components of the case separated;

FIG. 16 is an exploded rear perspective view showing the components of the case separated; and,

FIG. 17 is a front perspective view of the case showing the rear compartment cover in an open position.

For clarity of disclosure, the components of the case are shown in isolation in FIGS. 9-14 and separated in FIGS. 15-16. Although the case for electronic communications device, in which the claimed design is embodied, consists of an inner shell component, an outer frame component, and a rear compartment cover component, the claim is directed to the overall ornamental appearance of the case for electronic communications device in its entirety and does not extend to the ornamental appearance of each of the individual components.

The broken lines throughout the drawing figures depict portions of the case for electronic communications device that form no part of the claimed design. The broken lines, regions bounded by broken lines, and interior surfaces of the case shown in FIGS. 1, 3, 9, and 15 form no part of the claimed design.

1 Claim, 17 Drawing Sheets

FIG. 1

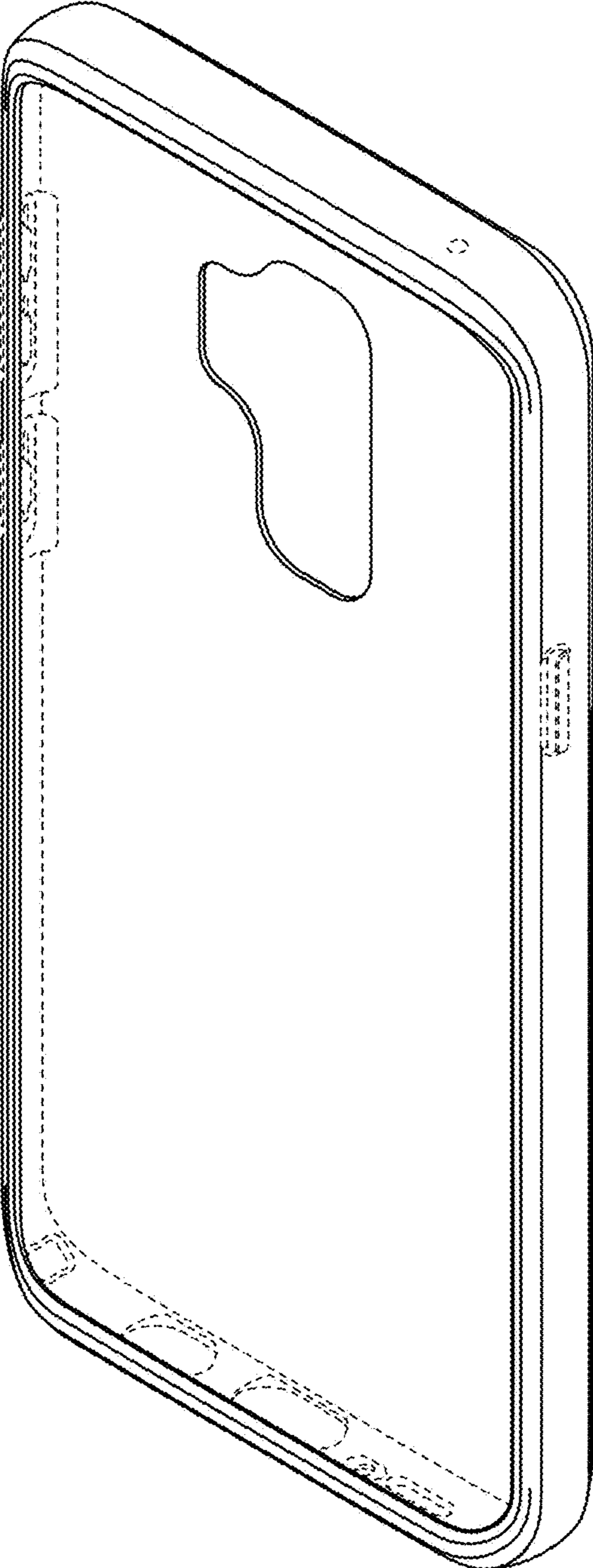


FIG. 2

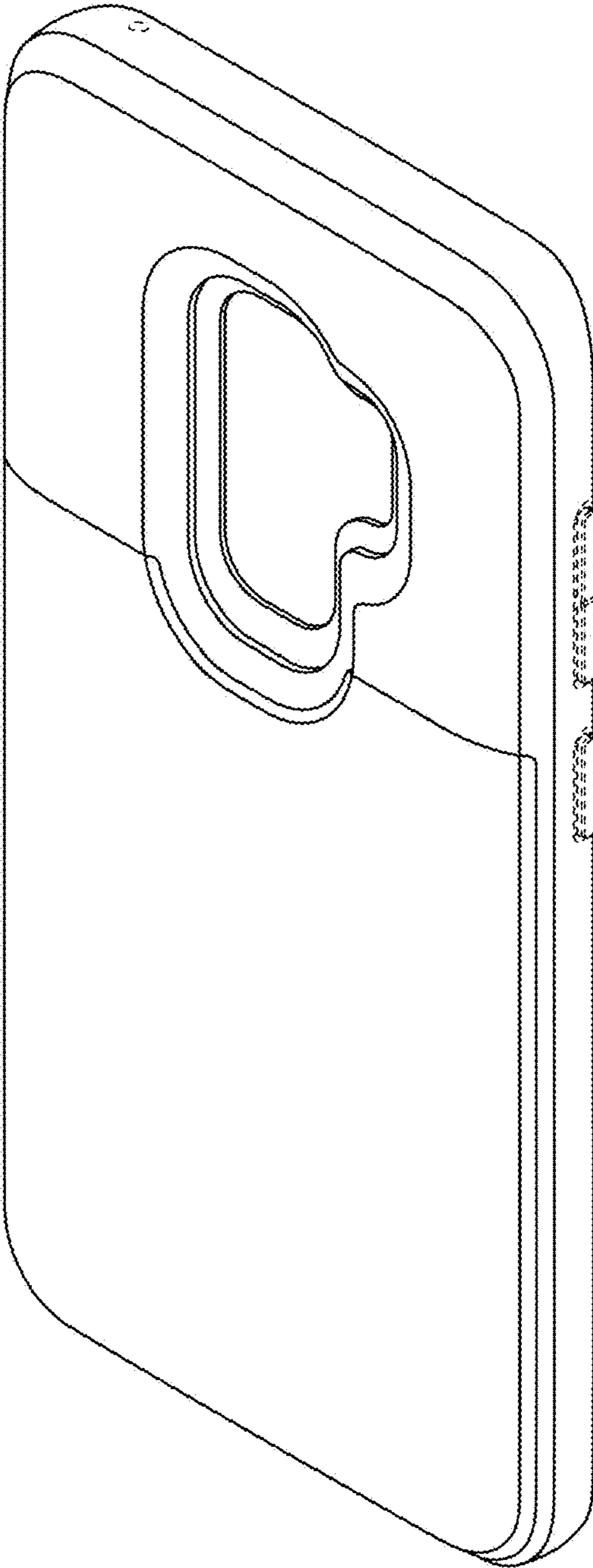


FIG. 3

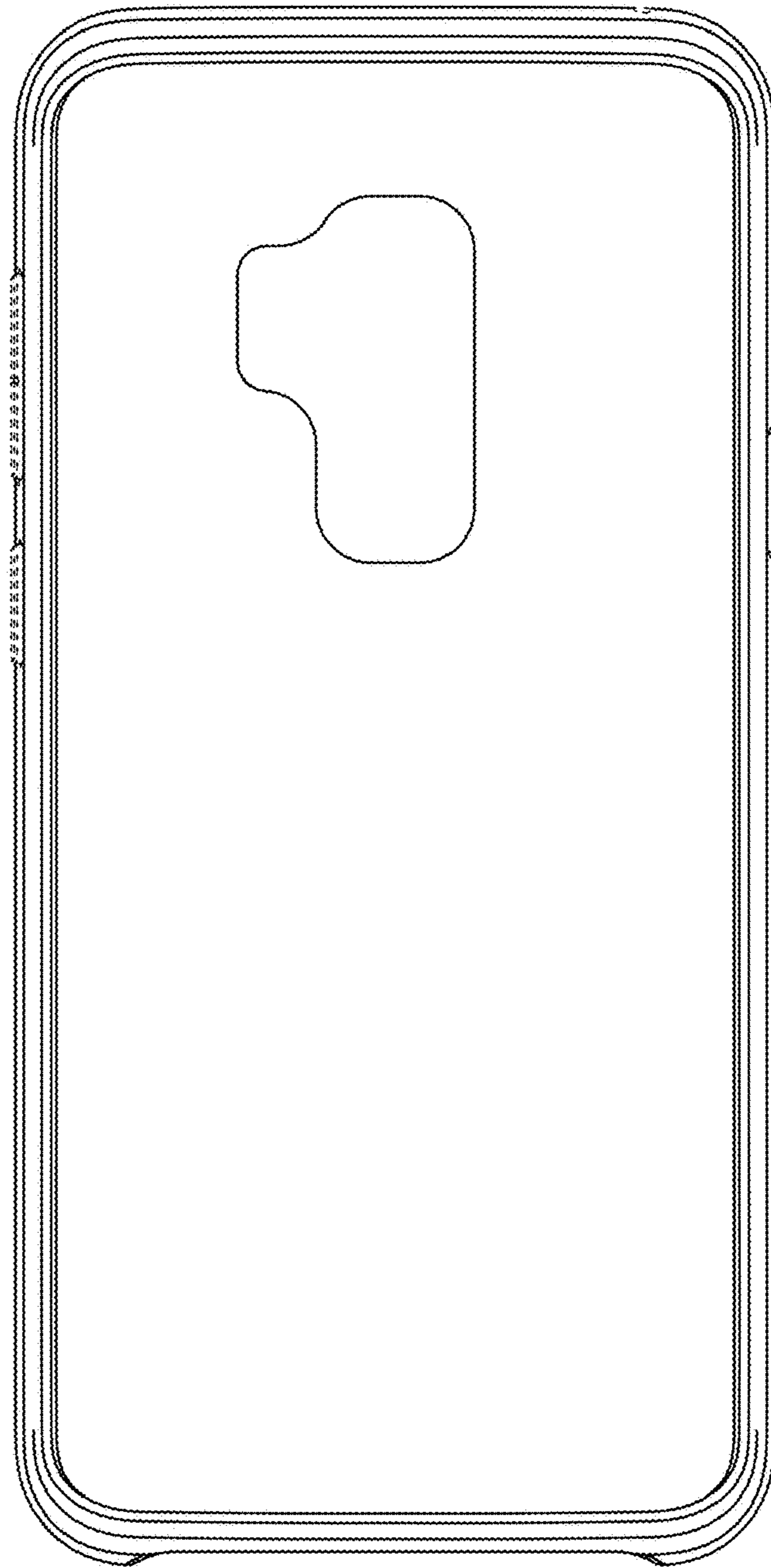


FIG. 4

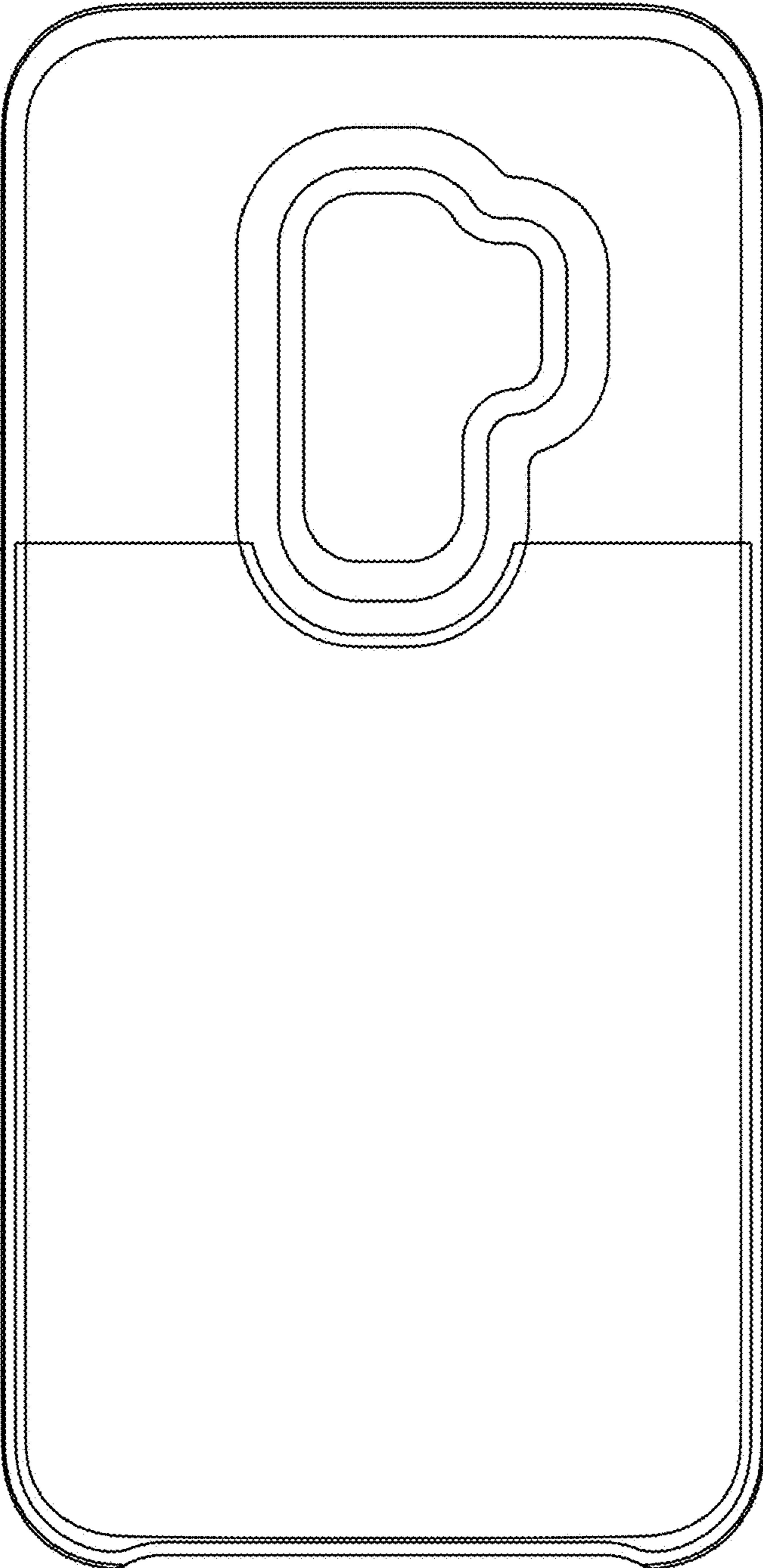


FIG. 5

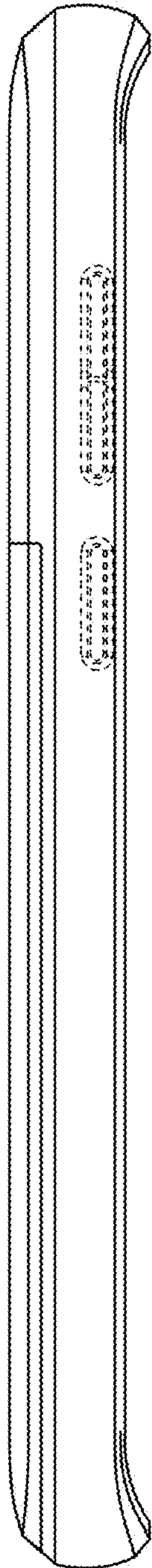


FIG. 6

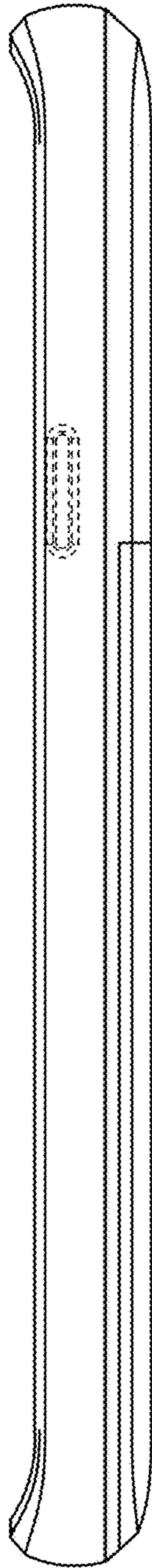




FIG. 7

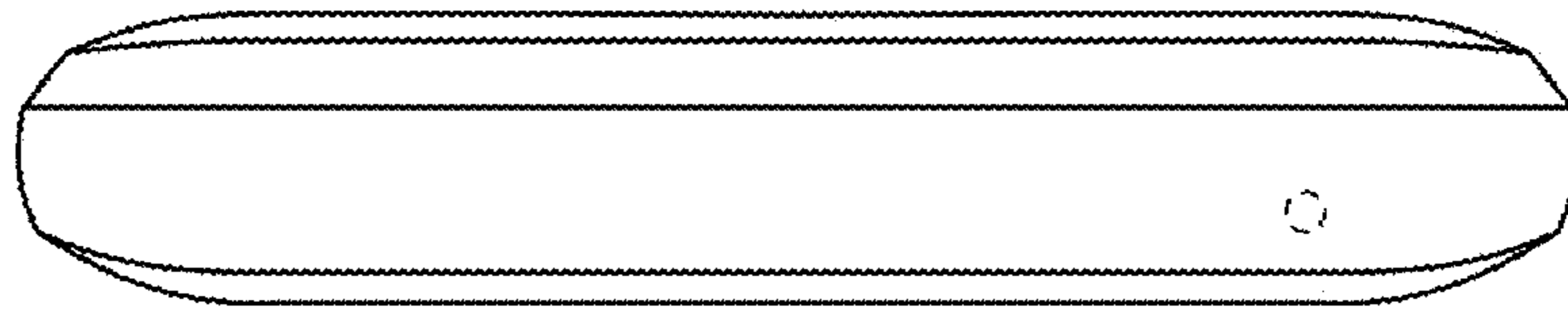


FIG. 8

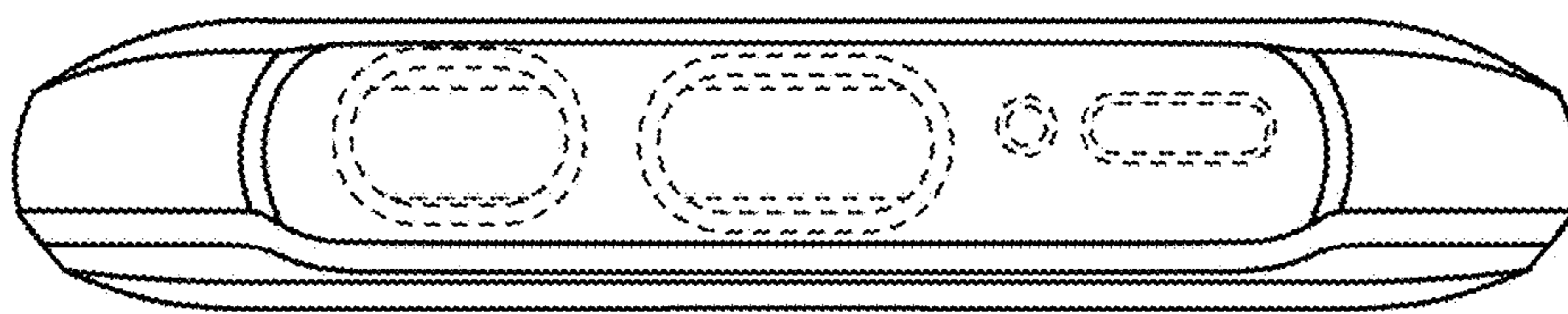


FIG. 9

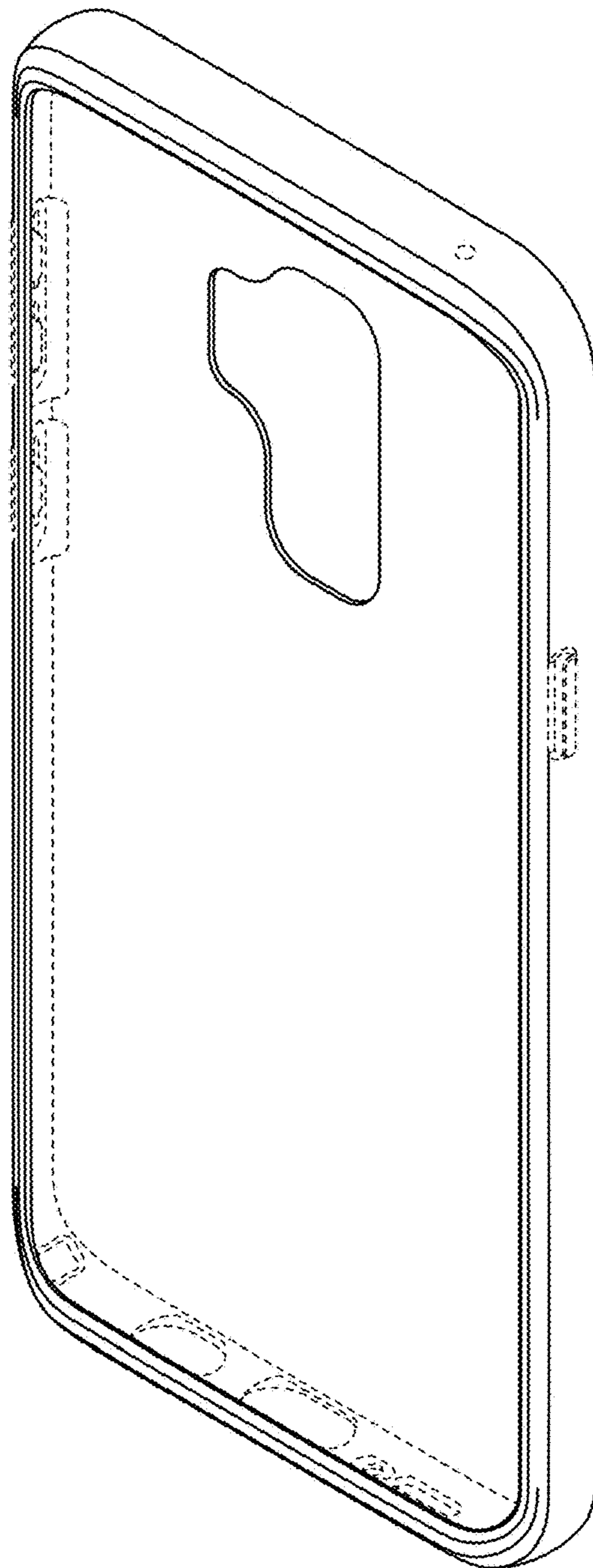


FIG. 10

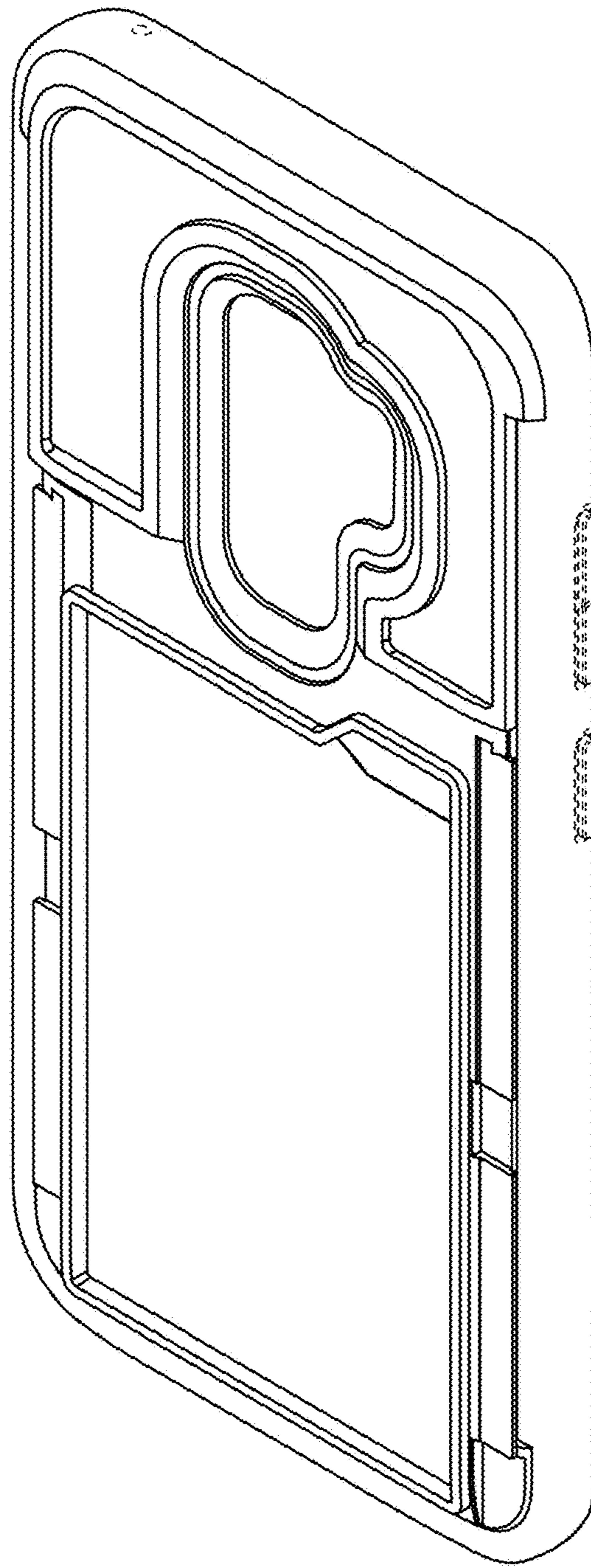


FIG. 11

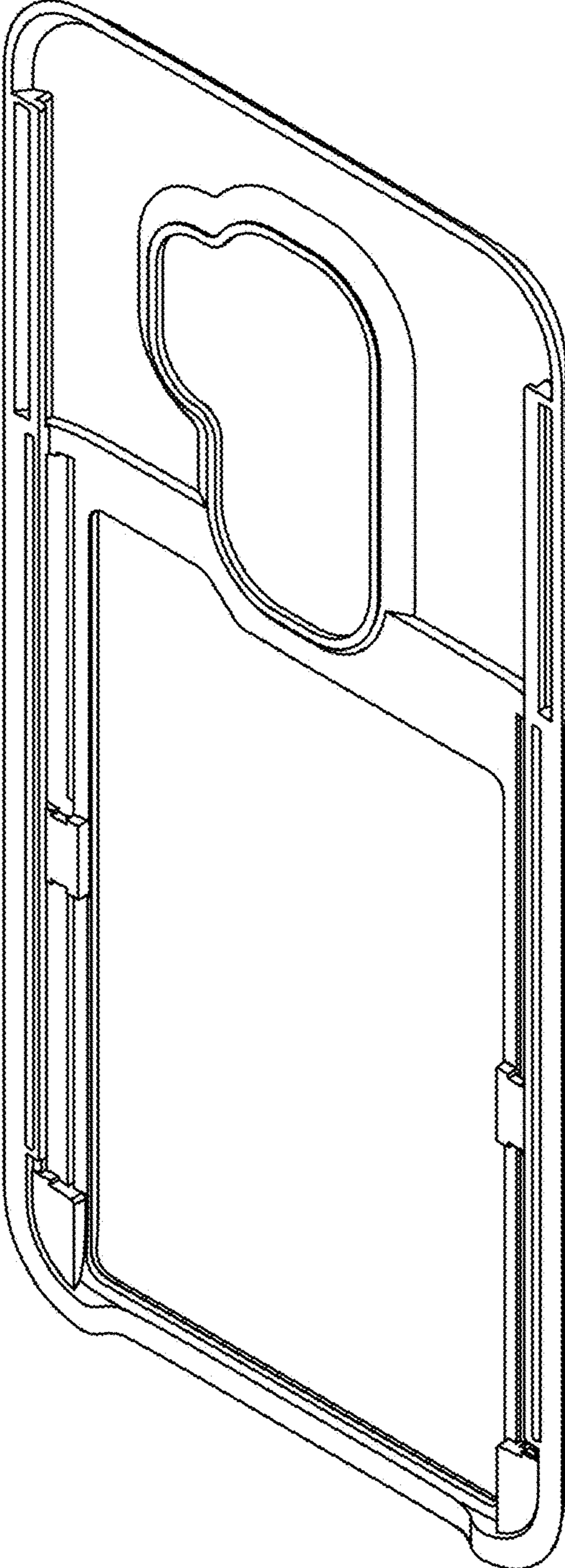


FIG. 12

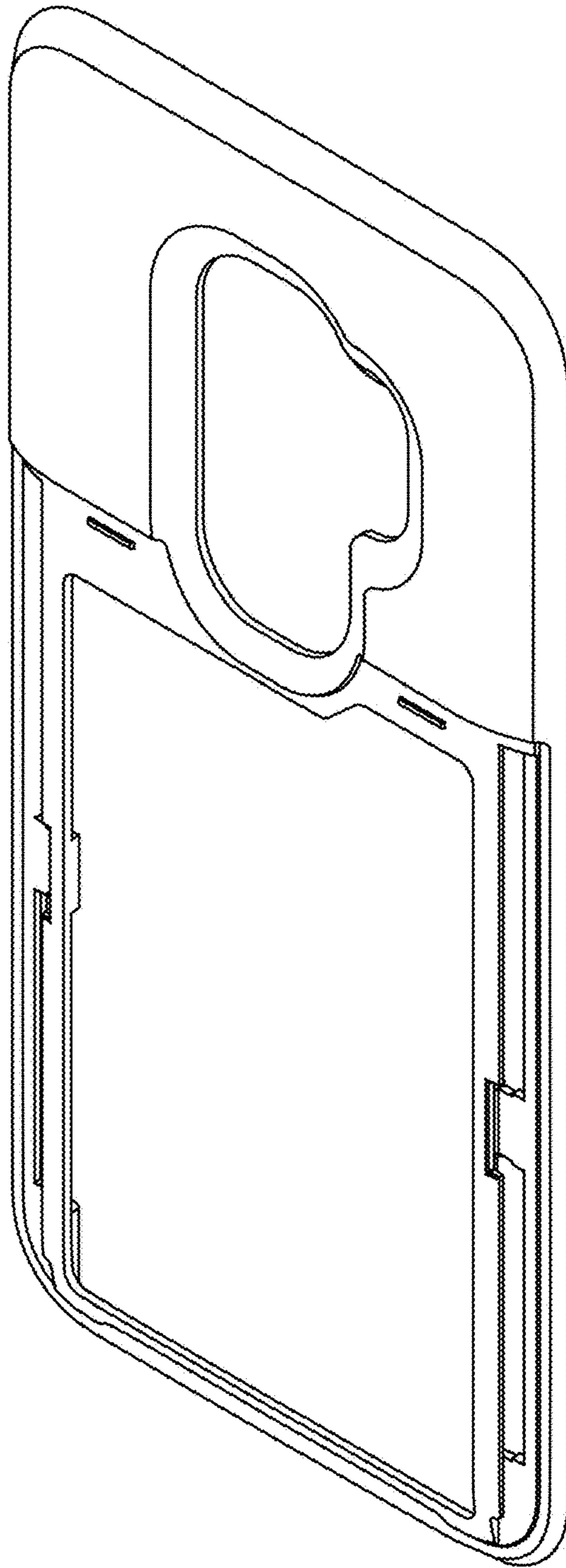


FIG. 13

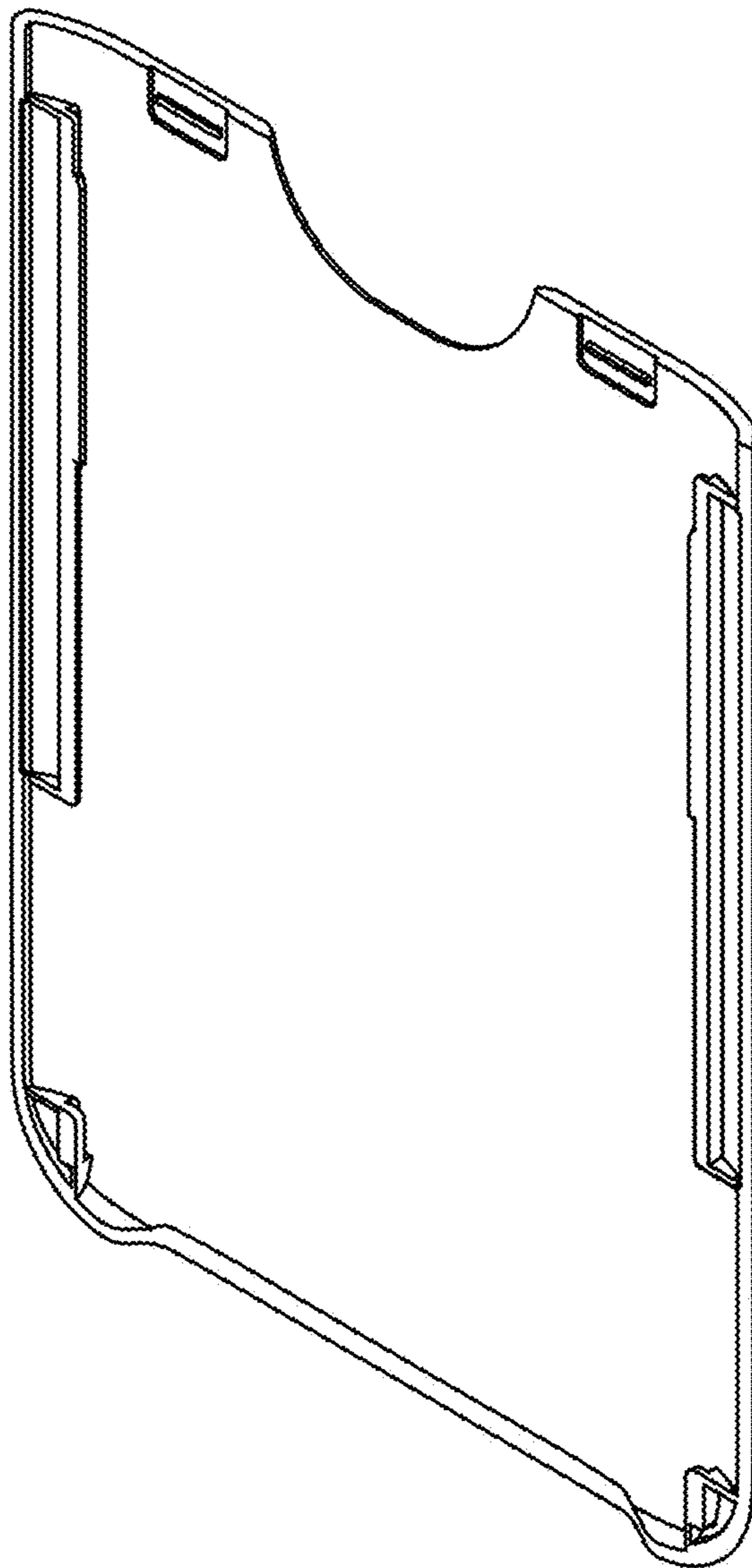


FIG. 14

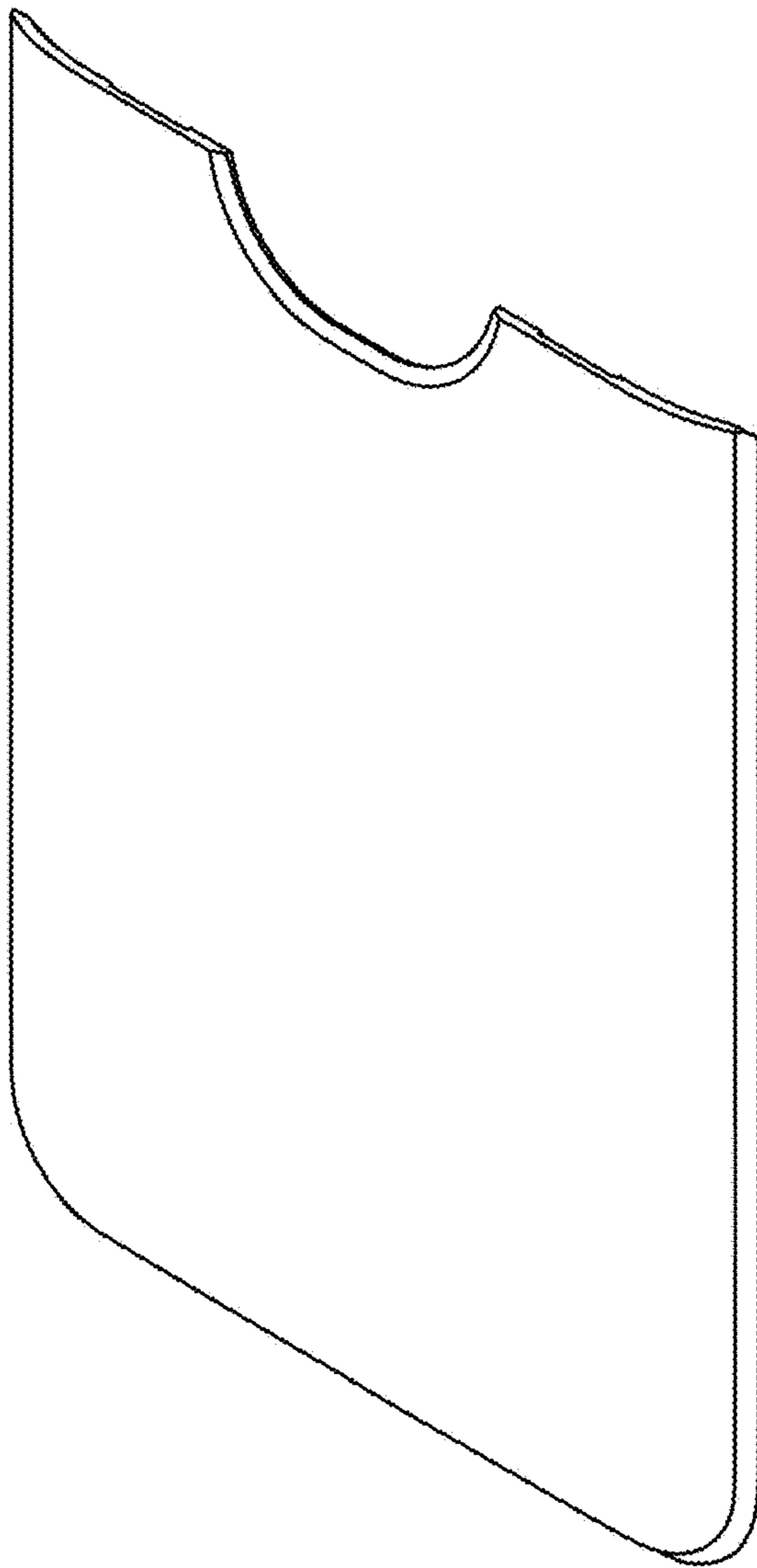




FIG. 15

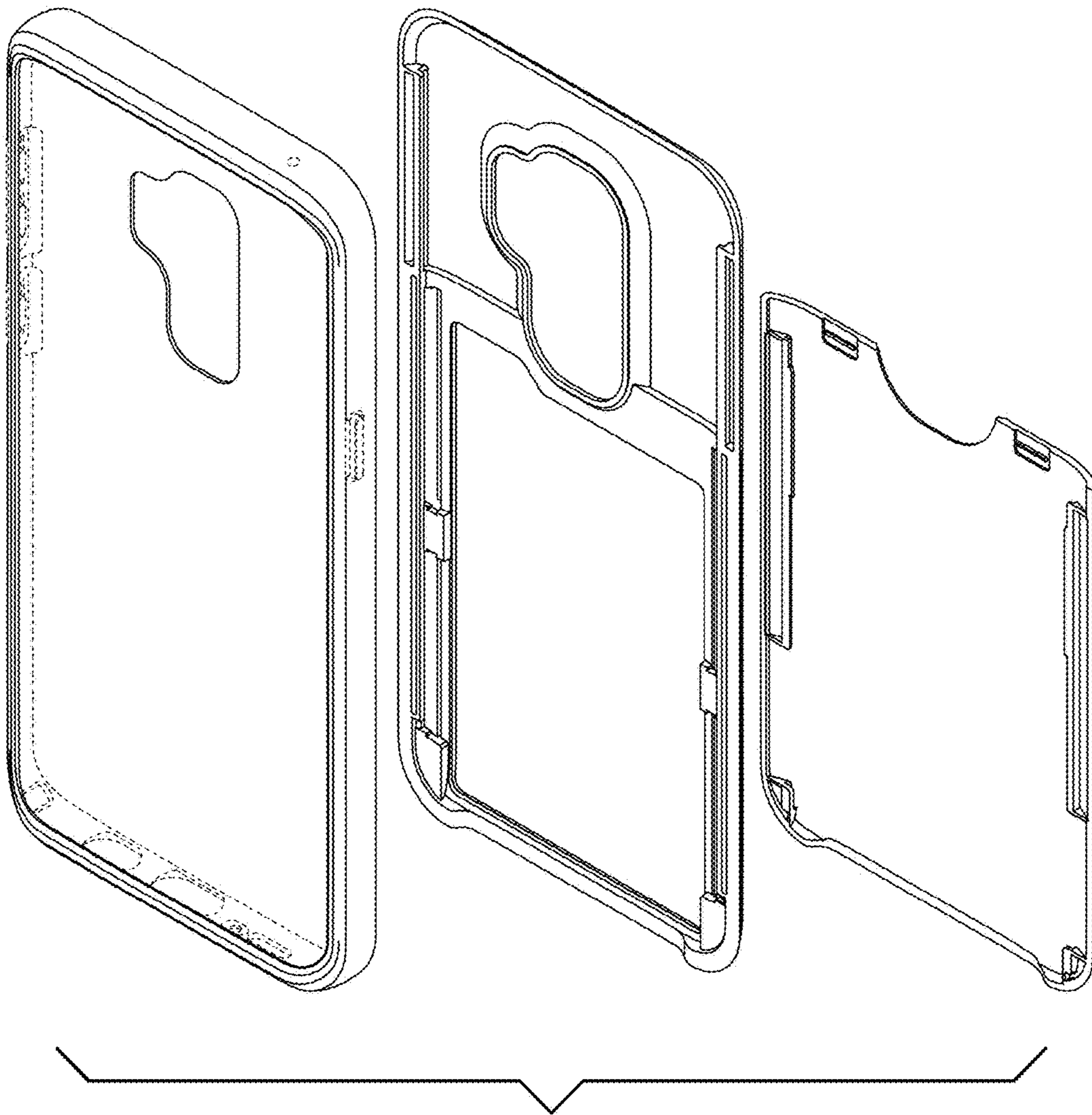


FIG. 16

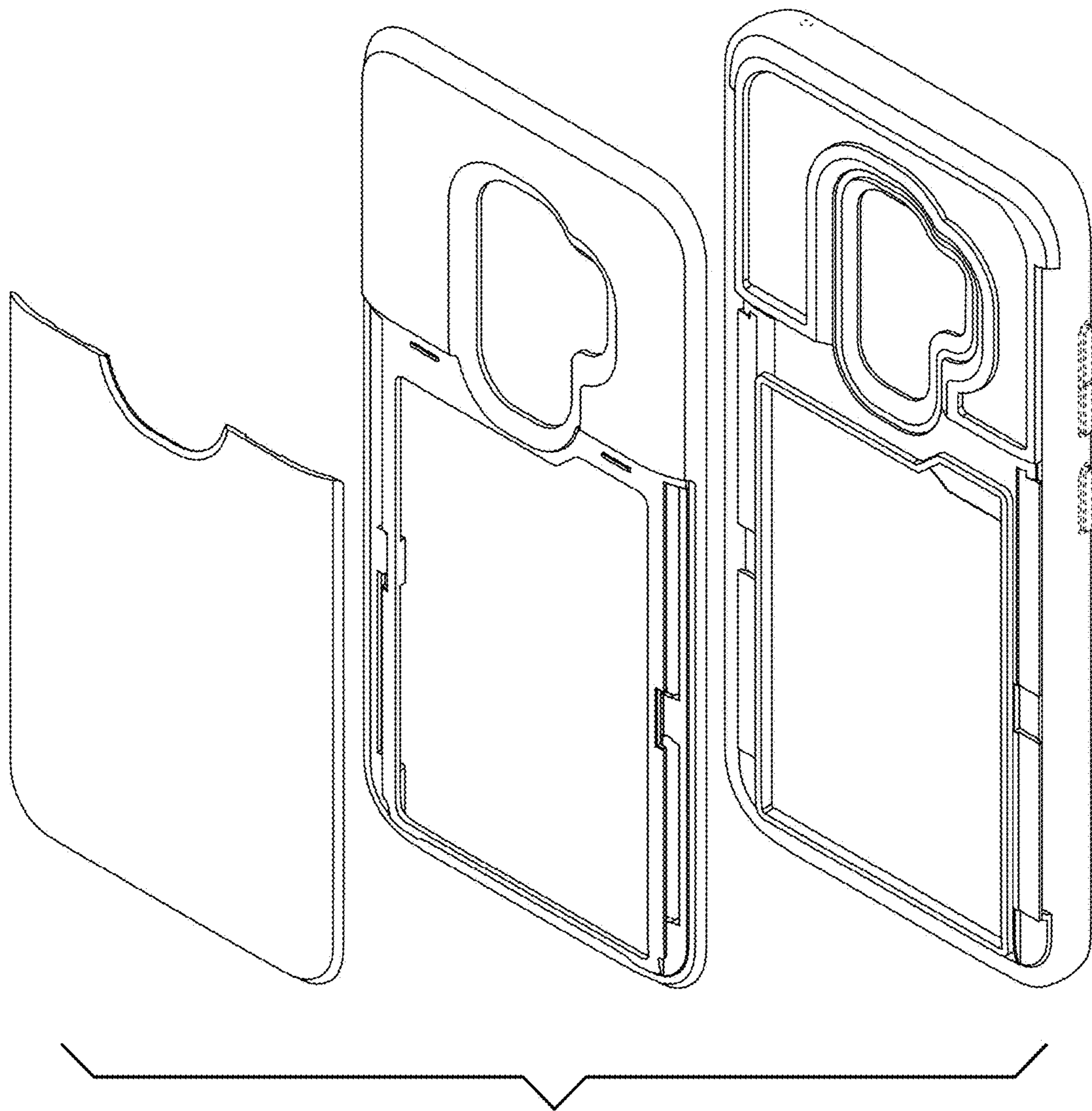


FIG. 17

