



US00D849735S

(12) **United States Design Patent** (10) **Patent No.:** **US D849,735 S**  
**Fang** (45) **Date of Patent:** **\*\* May 28, 2019**

(54) **CELL PHONE CASE**

(71) Applicant: **Shenzhen Aishiji Accessory Co., Ltd.**,  
Shenzhen, Guangdong (CN)

(72) Inventor: **Kaining Fang**, Guangdong (CN)

(73) Assignee: **Shenzhen Aishiji Accessory Co., Ltd.**,  
Shenzhen (CN)

(\*\*) Term: **15 Years**

(21) Appl. No.: **29/622,857**

(22) Filed: **Oct. 20, 2017**

(30) **Foreign Application Priority Data**

Jul. 26, 2017 (CN) ..... 2017 3 0331807

(51) **LOC (11) Cl.** ..... **14-03**

(52) **U.S. Cl.**  
USPC ..... **D14/250**

(58) **Field of Classification Search**  
USPC ..... D14/250  
CPC ..... A45C 2011/002  
See application file for complete search history.

(56) **References Cited**

**U.S. PATENT DOCUMENTS**

D680,107 S *	4/2013	Piedra	.....	D14/250
D703,656 S *	4/2014	Witter	.....	D14/250
D709,869 S *	7/2014	Witter	.....	D14/250
D754,115 S *	4/2016	Lin	.....	D14/250
D755,153 S *	5/2016	Steiner	.....	D14/138 R
D763,239 S *	8/2016	Chan	.....	D14/250
D771,027 S *	11/2016	Prstojevich	.....	D14/250
D778,275 S *	2/2017	Gabriel	.....	D14/250
9,768,822 B1 *	9/2017	Loh	.....	H04M 1/185

**OTHER PUBLICATIONS**

Evocel Galaxy S9 Plus Case with Kickstand, posted at amazon.com,  
posting date by Mar. 17, 2018, [online], [site visited Dec. 31, 2018].

Available from Internet, URL: <https://www.amazon.com/Evocel-Generation-Holster-Kickstand-Samsung/dp/B07994JHQJ> (Year: 2018).  
iPhone X Kickstand Case, posted at amazon.com, posting date by Apr. 15, 2018, [online], [site visited Dec. 31, 2018]. Available from Internet, URL: <https://www.amazon.com/iPhone-Kickstand-Case-Protective-Shockproof/dp/B075M7B48Q> (Year: 2018).  
Moment Dextrad S9 Case with Kickstand, posted at amazon.com, posting date by Jun. 3, 2018, [online], [site visited Dec. 31, 2018]. Available from Internet, URL: <https://www.amazon.com/Galaxy-Stand-Moment-Dextrad-Samsung/dp/B07B7F9PZP> (Year: 2018).  
Ulak Kickstand Case, posted at amazon.com, posting date by Sep. 8, 2018, [online], [site visited Dec. 31, 2018]. Available from Internet, URL: <https://www.amazon.com/ULAK-Kickstand-Shockproof-Full-Body-Protective/dp/B07HF66WK6> (Year: 2018).\*

\* cited by examiner

*Primary Examiner* — George D. Kirschbaum  
*Assistant Examiner* — Maria J Edwards

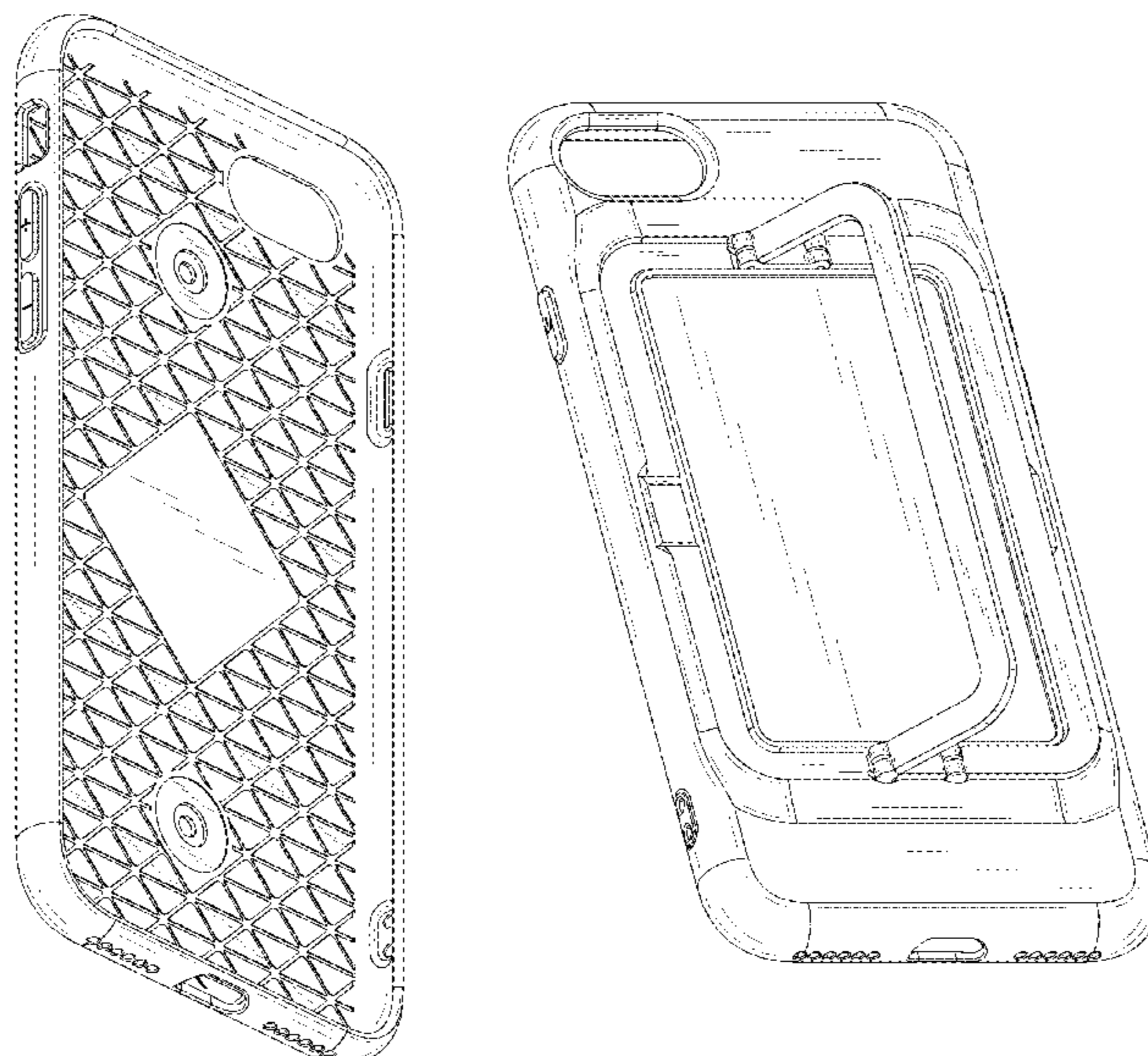
(57) **CLAIM**

The ornamental design for a cell phone case, as shown and described.

**DESCRIPTION**

FIG. 1 is a front elevational view of a cell phone case showing my new design;  
FIG. 2 is a rear elevational view thereof;  
FIG. 3 is a left side view thereof;  
FIG. 4 is a right side view thereof;  
FIG. 5 is a top plan view thereof;  
FIG. 6 is a bottom plan view thereof;  
FIG. 7 is a first perspective view thereof;  
FIG. 8 is a second perspective view thereof; and,  
FIG. 9 is a perspective view showing the cell phone case in a use state.

**1 Claim, 7 Drawing Sheets**



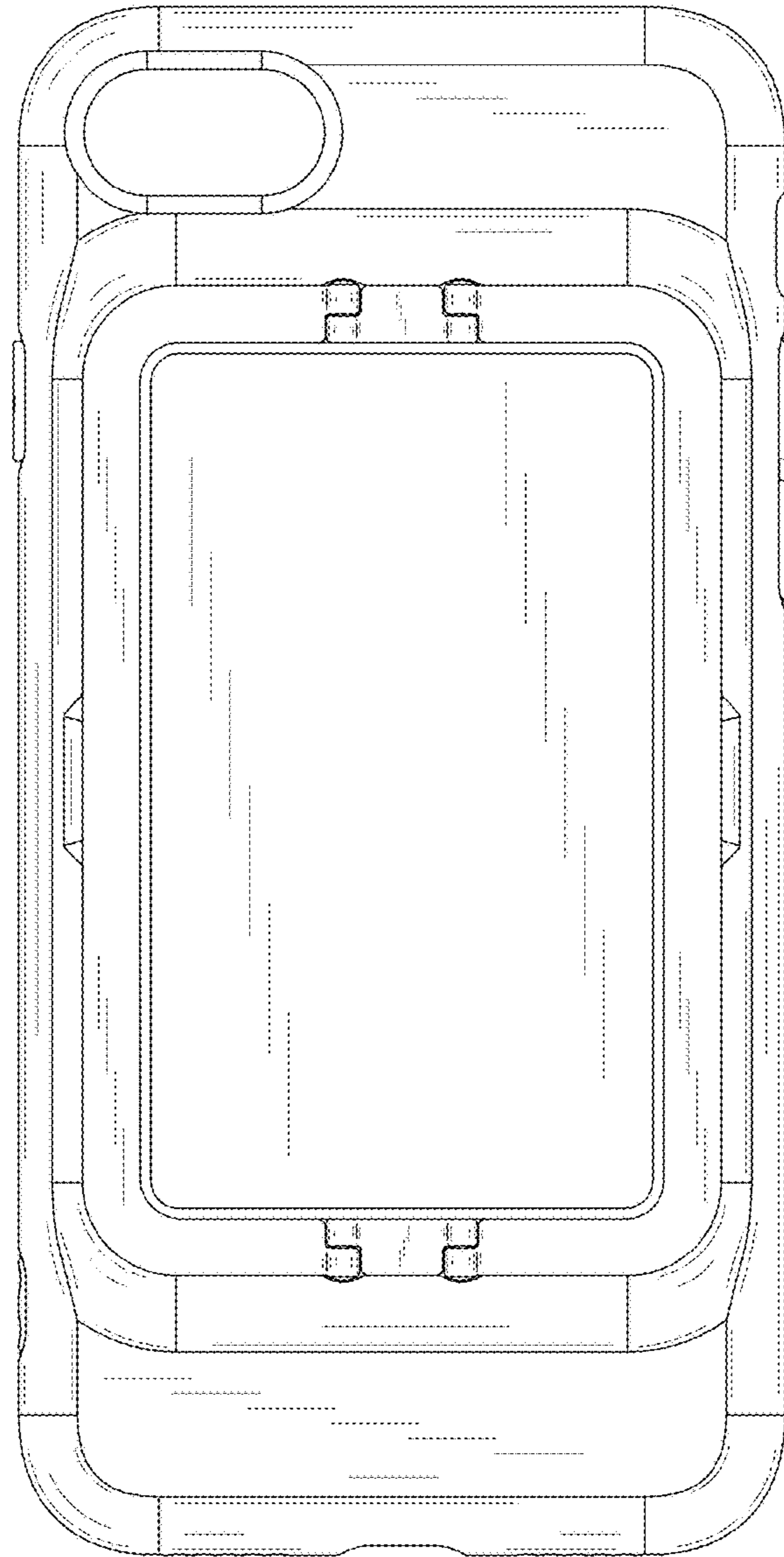


FIG. 1

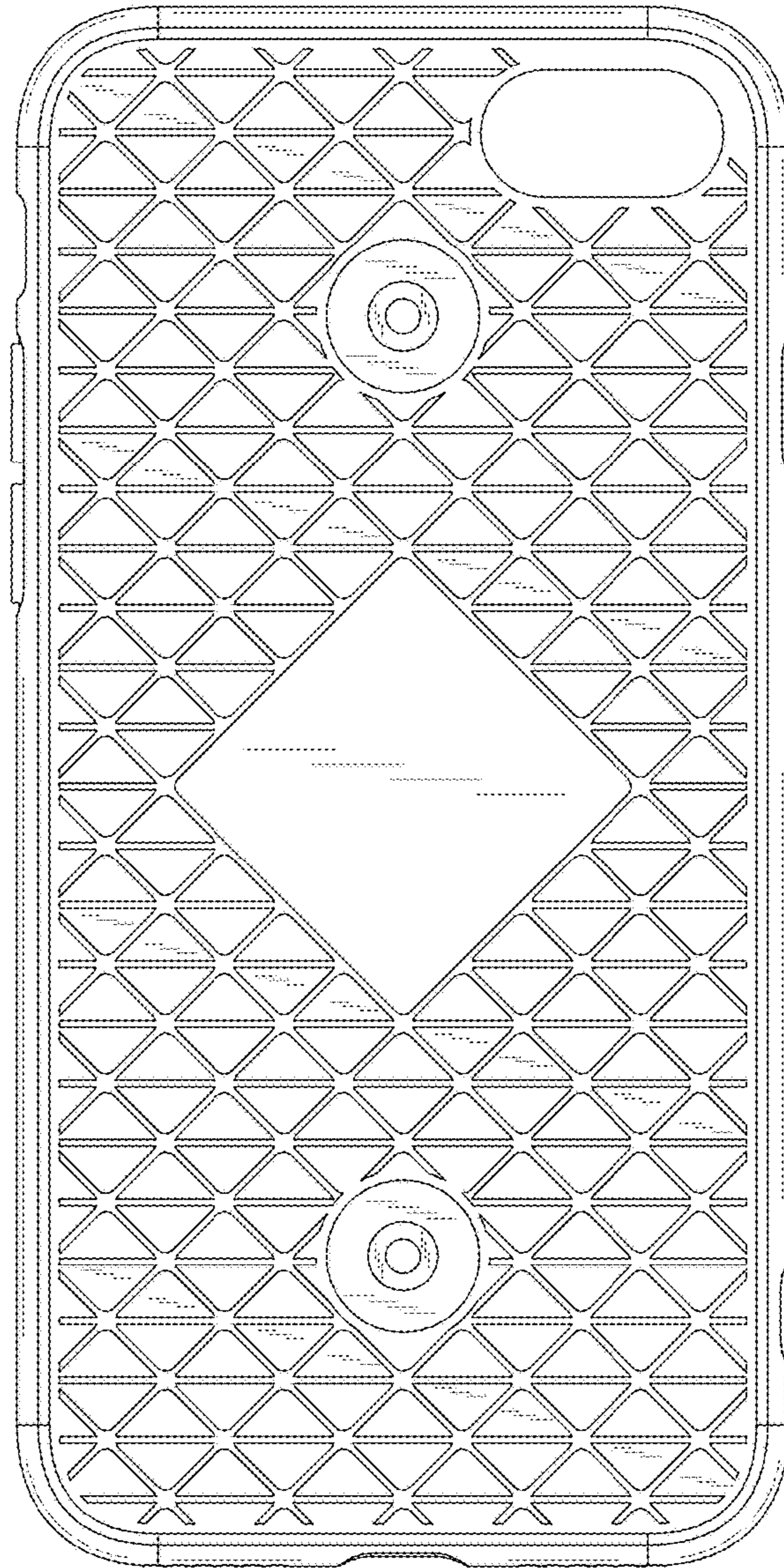


FIG.2

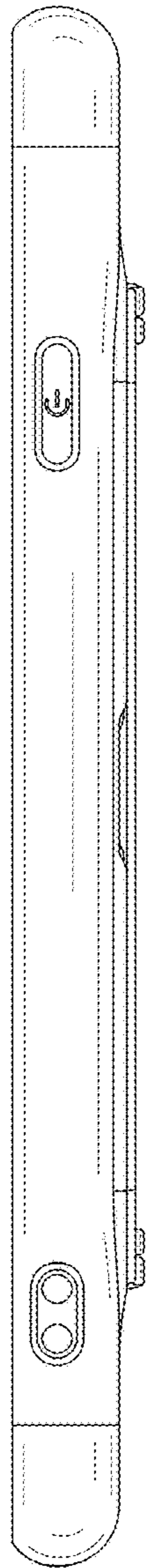


FIG.3

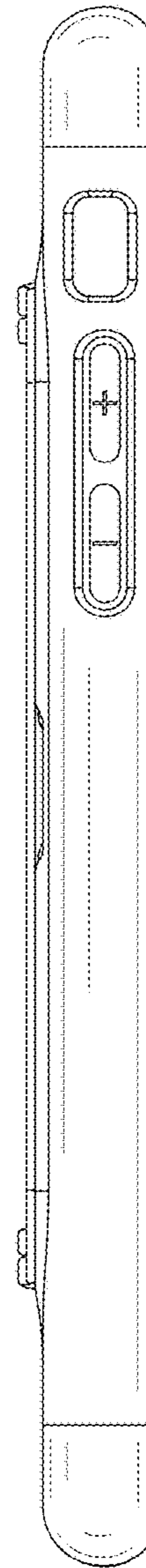


FIG.4

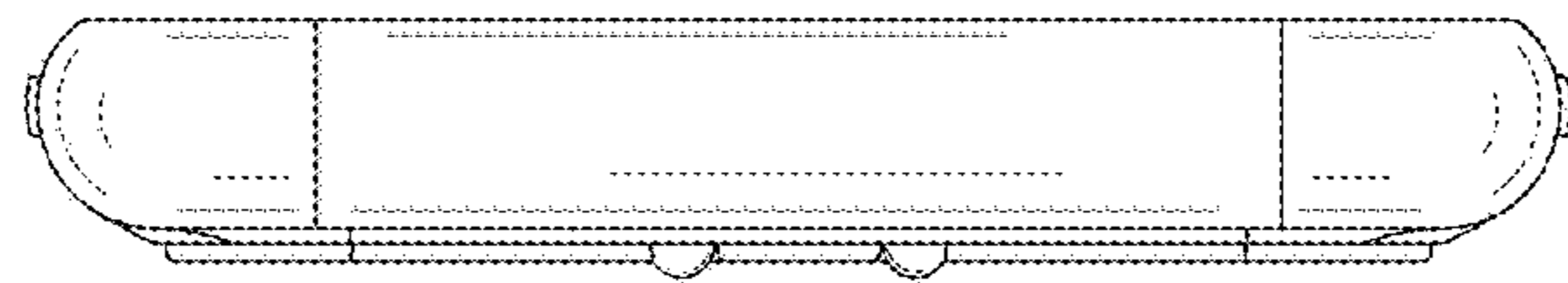


FIG.5

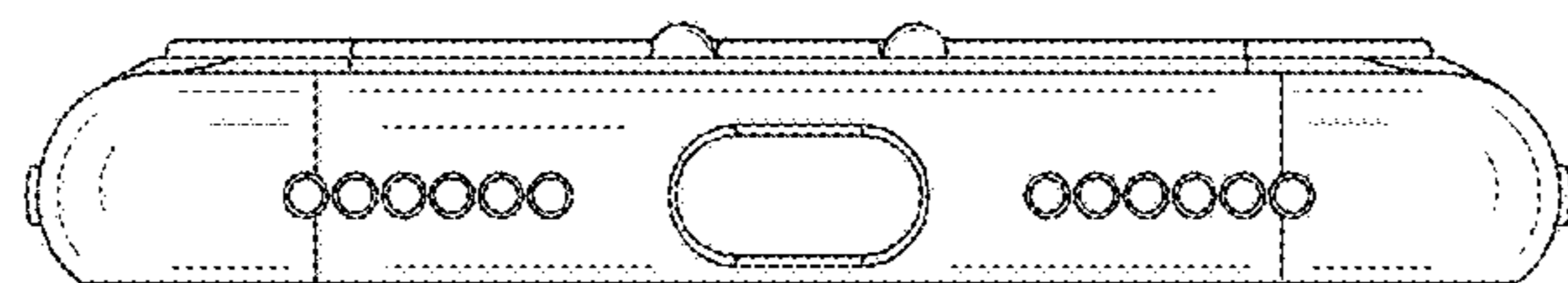


FIG.6

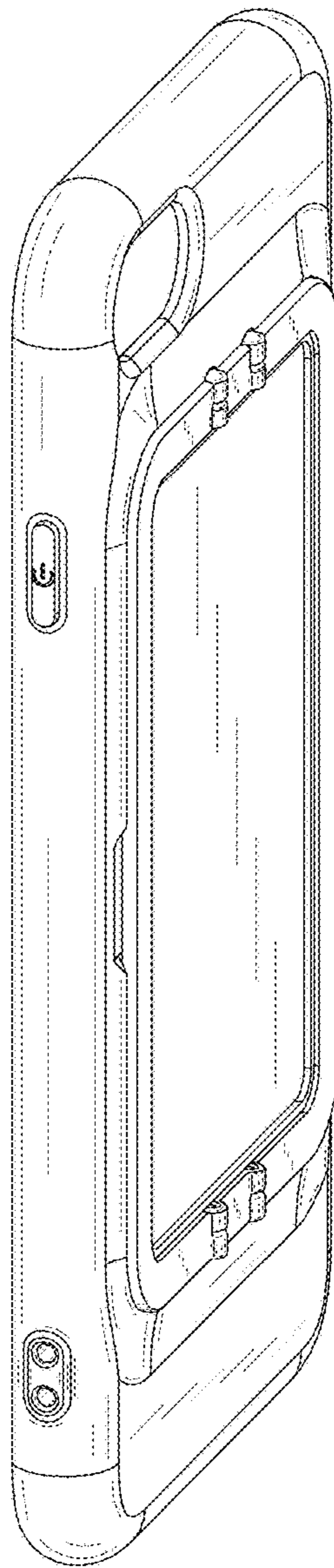


FIG. 7

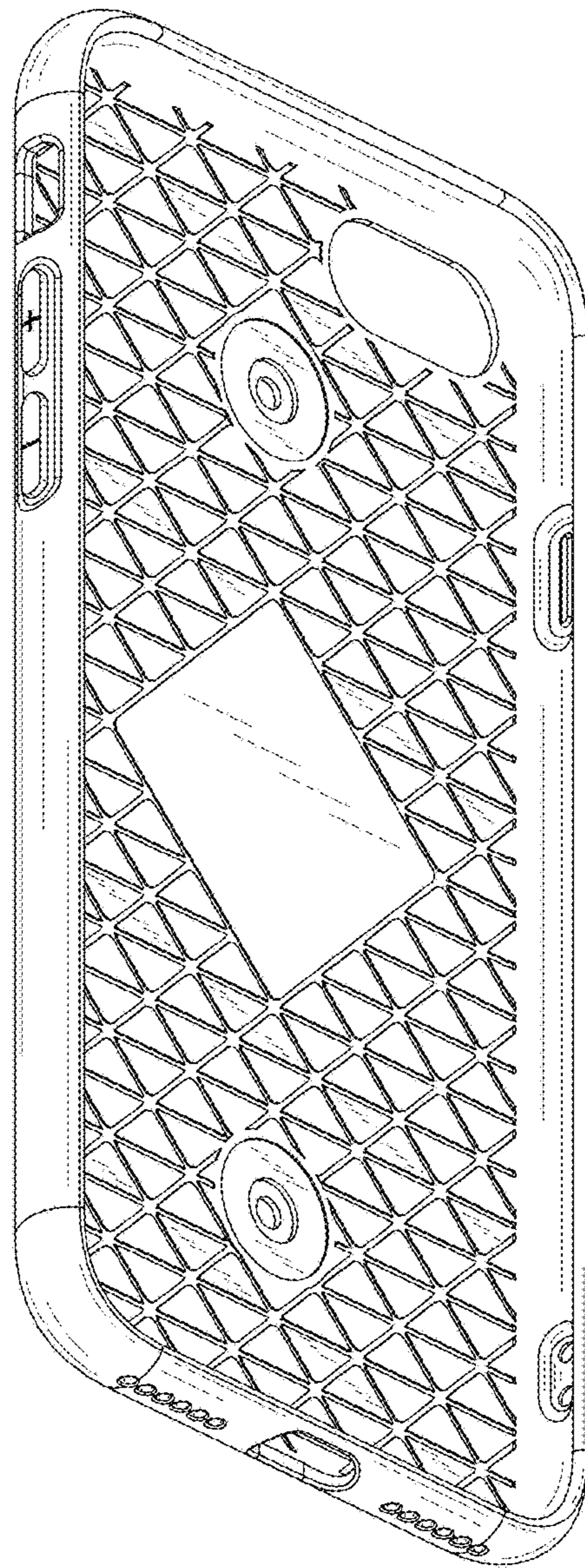


FIG.8

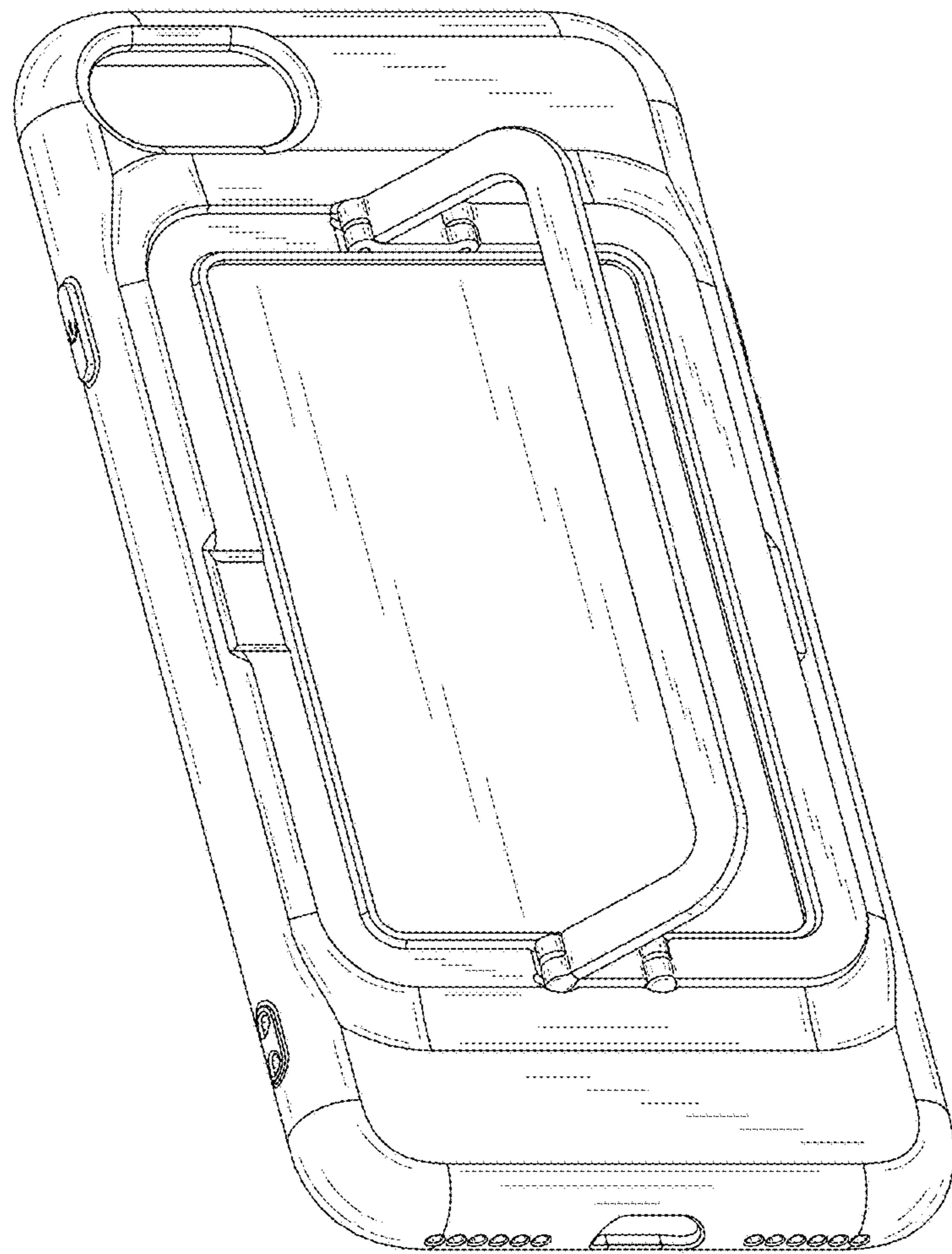


FIG.9