

US00D849733S

(12) **United States Design Patent**
Yun

(10) **Patent No.:** **US D849,733 S**
(45) **Date of Patent:** **** May 28, 2019**

(54) **CASE FOR ELECTRONIC COMMUNICATIONS DEVICE**

- (71) Applicant: **SPIGEN KOREA CO., LTD.**, Seoul (KR)
- (72) Inventor: **Sun Woo Yun**, Seoul (KR)
- (73) Assignee: **SPIGEN KOREA CO., LTD.**, Seoul (KR)
- (**) Term: **15 Years**
- (21) Appl. No.: **29/622,484**
- (22) Filed: **Oct. 17, 2017**
- (51) **LOC (11) Cl.** **14-03**
- (52) **U.S. Cl.**
USPC **D14/250**
- (58) **Field of Classification Search**
USPC D14/248, 439, 203.3-203.7, 447, 238.1, D14/440, 251-253, 217, 240, 250;
(Continued)

(56) **References Cited**

U.S. PATENT DOCUMENTS

- D615,078 S * 5/2010 Bradley D14/250
- D619,361 S 7/2010 Andre et al.
(Continued)

OTHER PUBLICATIONS

Review of Spigen Slim Armor CS Case for Galaxy S7, published on Apr. 11, 2016, URL:<<https://www.youtube.com/watch?v=hTvaCva30Ao>>, retrieved from internet on Jun. 20, 2018.*
(Continued)

Primary Examiner — Carla J Wright

(74) *Attorney, Agent, or Firm* — Heedong Chae; Lucem, PC

(57) **CLAIM**

The ornamental design for a case for electronic communications device, as shown and described.

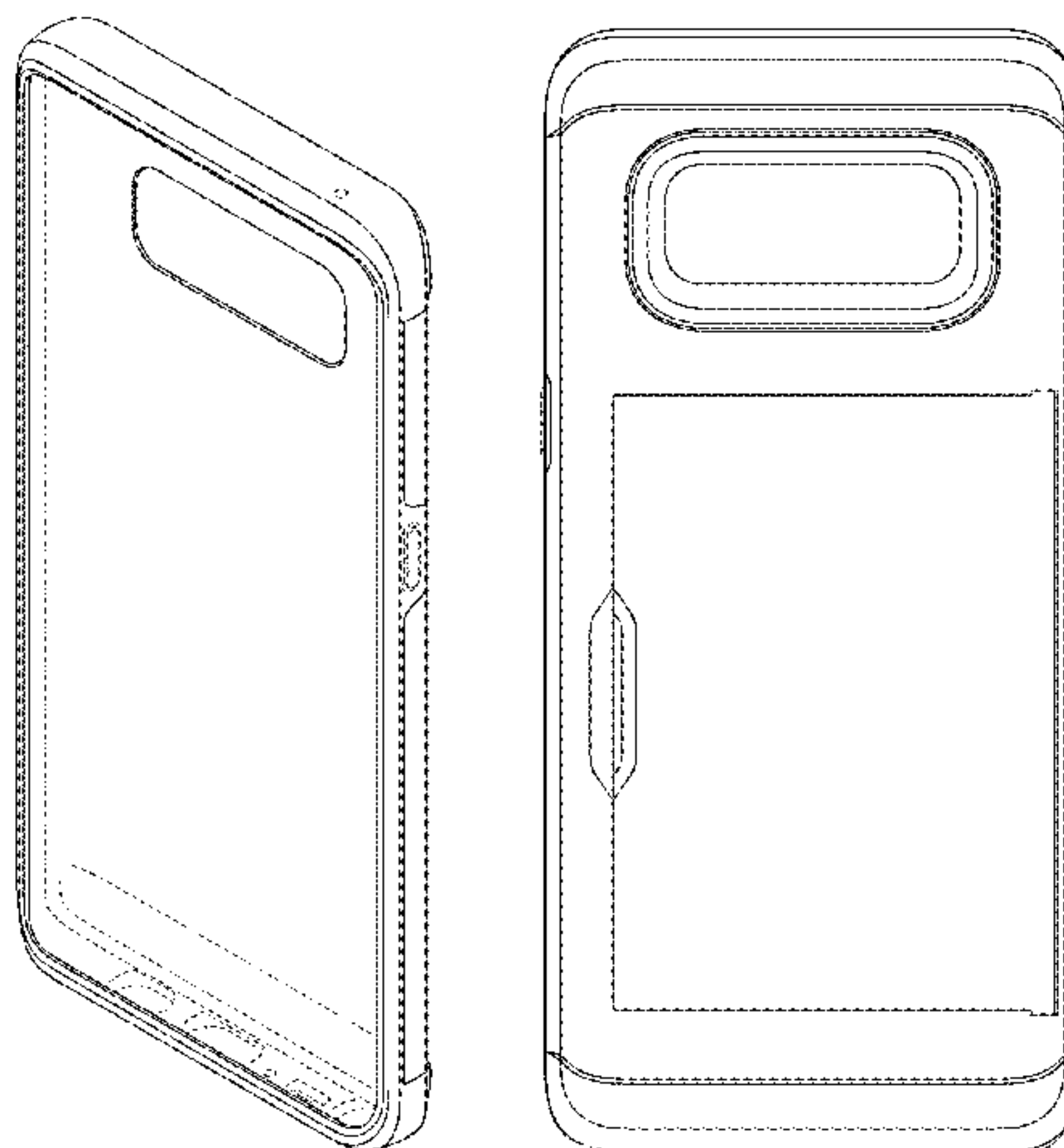
DESCRIPTION

FIG. 1 is a front perspective view of a case for electronic communications device showing my new design;
 FIG. 2 is a rear perspective view thereof;
 FIG. 3 is a front elevational view thereof;
 FIG. 4 is a rear elevational view thereof;
 FIG. 5 is a left side elevational view thereof;
 FIG. 6 is a right side elevational view thereof;
 FIG. 7 is a top plan view thereof;
 FIG. 8 is a bottom plan view thereof;
 FIG. 9 is a front perspective view showing the inner component of the case in isolation;
 FIG. 10 is a rear perspective view showing the inner component of the case in isolation;
 FIG. 11 is a front perspective view showing the outer frame component of the case in isolation;
 FIG. 12 is a rear perspective view showing the outer frame component of the case in isolation;
 FIG. 13 is a front perspective view showing the storage compartment cover component of the case in isolation;
 FIG. 14 is a rear perspective view showing the storage compartment cover component of the case in isolation;
 FIG. 15 is an exploded front perspective view showing the components of the case separated; and,
 FIG. 16 is an exploded rear perspective view showing the components of the case separated.

For clarity of disclosure, the components of the case are shown in isolation in FIGS. 9-14 and separated in FIGS. 15-16. Although the case for electronic communications device, in which the claimed design is embodied, consists of an inner component, an outer frame component, and a storage compartment cover component, the claim is directed to the overall ornamental appearance of the case for electronic communications device in its entirety and does not extend to the ornamental appearance of each of the individual components.

The broken lines throughout the drawing figures depict portions of the case for electronic communications device that form no part of the claimed design. The broken lines and regions bounded by broken lines form no part of the claimed design.

1 Claim, 16 Drawing Sheets



(58) **Field of Classification Search**

USPC D3/201, 218, 247, 269, 273, 301, 303;
 D13/103, 107–108, 119
 CPC H04B 1/3888; H04M 1/0283; H04M
 1/0202; A45C 1/06; A45C 2011/002;
 A45C 11/00; A45C 13/02; A45F
 2005/026; A45F 2200/0525; A45F
 2200/0516
 See application file for complete search history.

(56) **References Cited**

U.S. PATENT DOCUMENTS

D624,064	S *	9/2010	Esposito	D14/250
D631,246	S *	1/2011	Boettner	D3/203.2
D646,265	S	10/2011	Fathollahi	
D650,371	S	12/2011	Wibby et al.	
D663,263	S	7/2012	Gupta et al.	
D681,615	S	5/2013	Fathollahi	
D682,196	S	5/2013	Leung	
D686,199	S *	7/2013	Fahrendorff	D14/250
D688,654	S *	8/2013	Stevinson	D14/250
D688,655	S *	8/2013	Rey-Hipolito	D14/250
8,504,127	B2	8/2013	Altschul et al.	
8,517,172	B1	8/2013	Chang	
D703,650	S *	4/2014	Ehrlich	D14/250
D703,651	S *	4/2014	Ehrlich	D14/250
D705,763	S *	5/2014	Fastman	D14/250
D705,764	S *	5/2014	Thoni	D14/250
8,726,952	B2	5/2014	Jambunathan et al.	
D707,965	S	7/2014	Requa	
D712,891	S *	9/2014	Fathollahi	D14/250
D716,045	S	10/2014	Requa	
D717,777	S *	11/2014	Hemesath	D14/250
D721,689	S *	1/2015	Altschul	H04B 1/3888 D14/250
8,971,975	B2	3/2015	Ramies et al.	
9,049,283	B1	6/2015	Kim	
D733,714	S *	7/2015	Ballou	D14/440
D741,845	S	10/2015	Kim	
D743,931	S	11/2015	Hubbard et al.	
D746,805	S	1/2016	Kim	
9,241,551	B2	1/2016	Lawson et al.	
D749,068	S	2/2016	Zaborski et al.	
D749,557	S	2/2016	Feng	
D753,099	S	4/2016	Kim	
D756,911	S	5/2016	Gupta et al.	
D759,966	S	6/2016	Pignotti	
D763,842	S	8/2016	Chang et al.	
D765,635	S	9/2016	Chang et al.	
D765,638	S	9/2016	Gaylord et al.	
D765,640	S	9/2016	Bulkley et al.	
D765,641	S	9/2016	Bulkley et al.	
D772,212	S *	11/2016	Daniel	D14/250
D776,101	S *	1/2017	Poon	D14/250
D776,646	S *	1/2017	Deng	D14/250
D777,155	S *	1/2017	Kim	D14/250
D780,163	S *	2/2017	Fathollahi	D14/250
D780,164	S	2/2017	Lee	
D781,835	S	3/2017	Kim et al.	
D788,093	S	5/2017	Lee et al.	
9,661,116	B1 *	5/2017	Chung	A45C 11/00
9,675,150	B2 *	6/2017	Kim	A45C 11/182
D798,286	S	9/2017	Roberts et al.	
D800,714	S	10/2017	Lee et al.	
D801,323	S	10/2017	Kim	
2014/0370946	A1 *	12/2014	Daniell	H04M 1/0283 455/575.8
2015/0244407	A1 *	8/2015	Peral	H04B 1/3888 455/575.8
2016/0269516	A1 *	9/2016	Kim	H04M 1/04
2016/0374443	A1 *	12/2016	Kim	A45C 11/182 206/38
2017/0086557	A1 *	3/2017	Choi	A45C 15/00

OTHER PUBLICATIONS

“iPhone 6 Case, Verus [Damda Slide][Dark Silver]—[Wallet Card Slot][Heavy Duty Protection] for Apple iPhone 6 4.7”, <https://www.amazon.com/dp/B01EO2PE1O>, Earliest review date of May 24, 2016.

“Galaxy Note 4 Case, Verus [Damda Slide][Dark Silver]—[Wallet Card Slot][Heavy Duty Protection] For Samsung Note 4”, <https://www.amazon.com/dp/B00MJE610G>, Earliest review date of Oct. 18, 2014.

“Galaxy Note 5 Case, Verus [Damda Slide][Dark Silver]—[Wallet Card Slot][Heavy Duty Protection] for Samsung Note 5”, <https://www.amazon.com/dp/B00VN6E8KS>, Earliest review date of Aug. 24, 2015.

“Galaxy S6 Edge Case, Verus [Damda Slide][Dark Silver]—[Wallet Card Slot][Heavy Duty Protection] for Samsung galaxy s6 edge”, <https://www.amazon.com/dp/B00U0MDTEM>, Earliest review date of Apr. 2, 2015.

“Galaxy S6 Edge Plus Case, Verus [Damda Slide][Dark Silver]—[Wallet Card Slot][Heavy Duty Protection] For Samsung galaxy s6 plus”, <https://www.amazon.com/dp/B013F8CLK0>, Earliest review date of Aug. 29, 2015.

“iPhone 6 Plus Case, Verus [Damda Slide][Dark Silver]—[Wallet Card Slot][Heavy Duty] for Apple iPhone 6 Plus 5.5”, <https://www.amazon.com/dp/B01EO2P5H2>, Earliest review date of May 26, 2016.

“iPhone 6S Case, Verus [Damda Slide][Dark Silver]—[Wallet Card Slot][Heavy Duty Protection] for Apple iPhone 6 6s 4.7”, <https://www.amazon.com/dp/B00M9UBQ2A>, Earliest review date of Sep. 16, 2014.

“iPhone 6S Plus Case, Verus [Damda Slide][Dark Silver]—[Wallet Card Slot][Heavy Duty] for Apple iPhone 6 6s Plus 5.5”, <https://www.amazon.com/dp/B00NHZZ1ZY>, Earliest review date of Oct. 5, 2014.

“Spigen Slim Armor CS Galaxy S7 Case with Slim Dual Layer Wallet Design and Card Slot Holder for Samsung Galaxy S7 2016—Gunmetal”, <https://www.amazon.com/dp/B01AUR1HF4>, Earliest review date of Mar. 11, 2016.

“Spigen Slim Armor CS Galaxy S7 Edge Case with Slim Dual Layer Wallet Design and Card Slot Holder for Galaxy S7 Edge 2016—Gunmetal”, <https://www.amazon.com/dp/B01CTRI5VM>, Earliest review date of Apr. 22, 2016.

“iPhone 7 Plus Case, Spigen® [Slim Armor CS] Card Holder [Gunmetal] Slim Fit Dual Layer Protective with Card Slot Holder Wallet Case for iPhone 7 Plus (2016)—(043CS20526)”, <https://www.amazon.co.uk/dp/B01G1WFLQ6>, Date first available at Amazon.co.uk of Aug. 2, 2016, Downloaded on Aug. 23, 2018.

“VRS Design Damda Glide Samsung Galaxy Note 7 Case—Blue Coral”, <https://www.mobilefun.com/vrs-design-lamda-glide-samsung-galaxy-note-7-case-blue-coral-60422>, Earliest review date of Sep. 9, 2016.

“Galaxy S7 Edge Case Damda Glide Series”, <https://vrsdesign.com/products/damda-glide-series-galaxy-s7-edge-case>, Earliest review posted on 2016, Downloaded on Dec. 17, 2018.

“Galaxy S7 Case, VRS Design [Damda Glide Series] Semi Automatic Card Slot with Military Grade Protection (Satin Silver)”, <https://www.amazon.com/dp/B01LWRTPW>, Earliest review date of Nov. 8, 2016.

“iPhone 6 Plus/6s Plus Case Damda Glide Series”, <https://vrsdesign.com/products/iphone-6-plus-6s-plus-damda-glide-series>, Earliest review posted on 2016, Downloaded on Dec. 18, 2018.

“iPhone 7 Plus / 8 Plus Case, VRS Design [Damda Glide Series] Semi Automatic Card Slot with Military Grade Protection (Steel Silver)”, <https://www.amazon.com/DP/B01LY0IWRH>, Earliest review date of Oct. 18, 2016.

“VRS Design [Damda Glide Series] Semi Automatic Card Slot Shockproof Case Compatible with Apple iPhone 7 / 8—(Steel Silver)”, <https://www.amazon.com/dp/B01LXD3F6L>, Earliest review date of Oct. 11, 2016.

“iPhone 6/6s Case Damda Glide Series”, <https://vrsdesign.com/products/damda-glide-series-2>, Earliest review posted on 2016, Downloaded on Dec. 17, 2018.

(56)

References Cited

OTHER PUBLICATIONS

“VRS Design unveils semi-automatic Damda Glide cases for the Samsung Galaxy Note 7”, <https://www.pmnewswire.com/news-releases/vrs-design-unveils-semi-automatic-damda-glide-cases-for-the-samsung-galaxy-note-7-300299529.html>, Published on Jul. 18, 2016.

“Galaxy Note 7 Case Preview from VRS Design: Damda Glide Case?”, <https://www.youtube.com/watch?v=3aoPDXLbrRk>, Published on Aug. 1, 2016.

* cited by examiner

FIG. 1

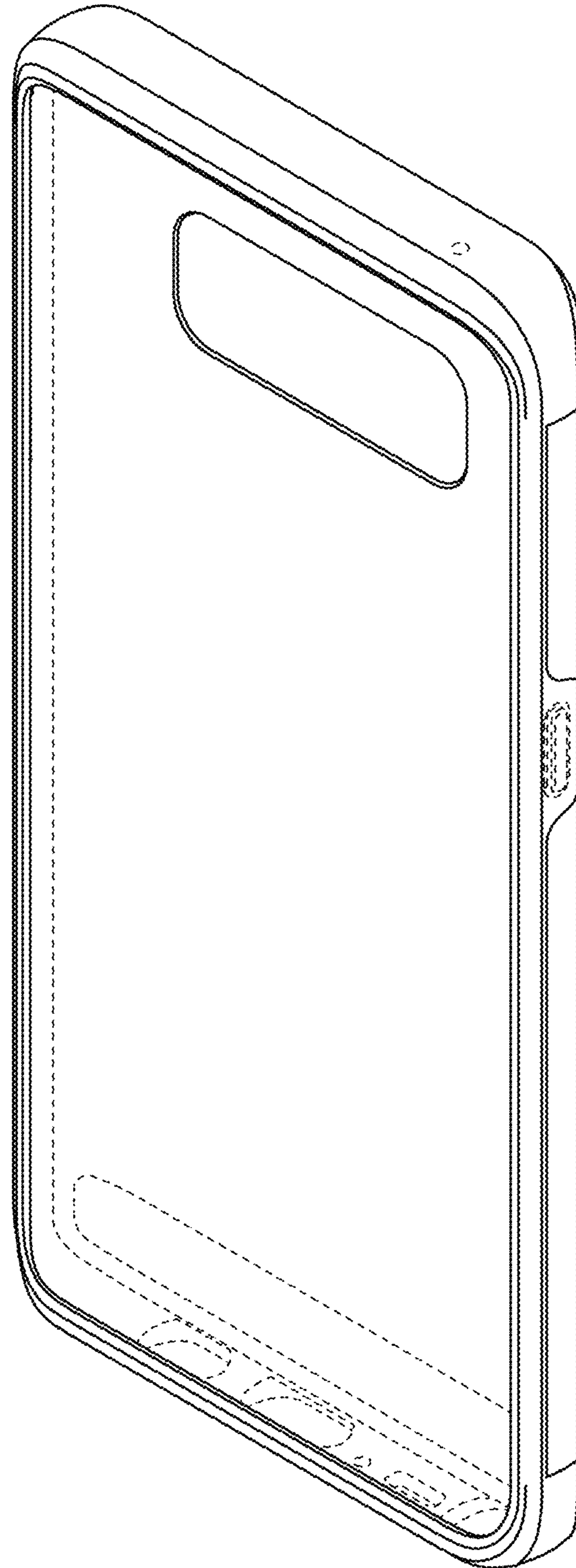


FIG. 2

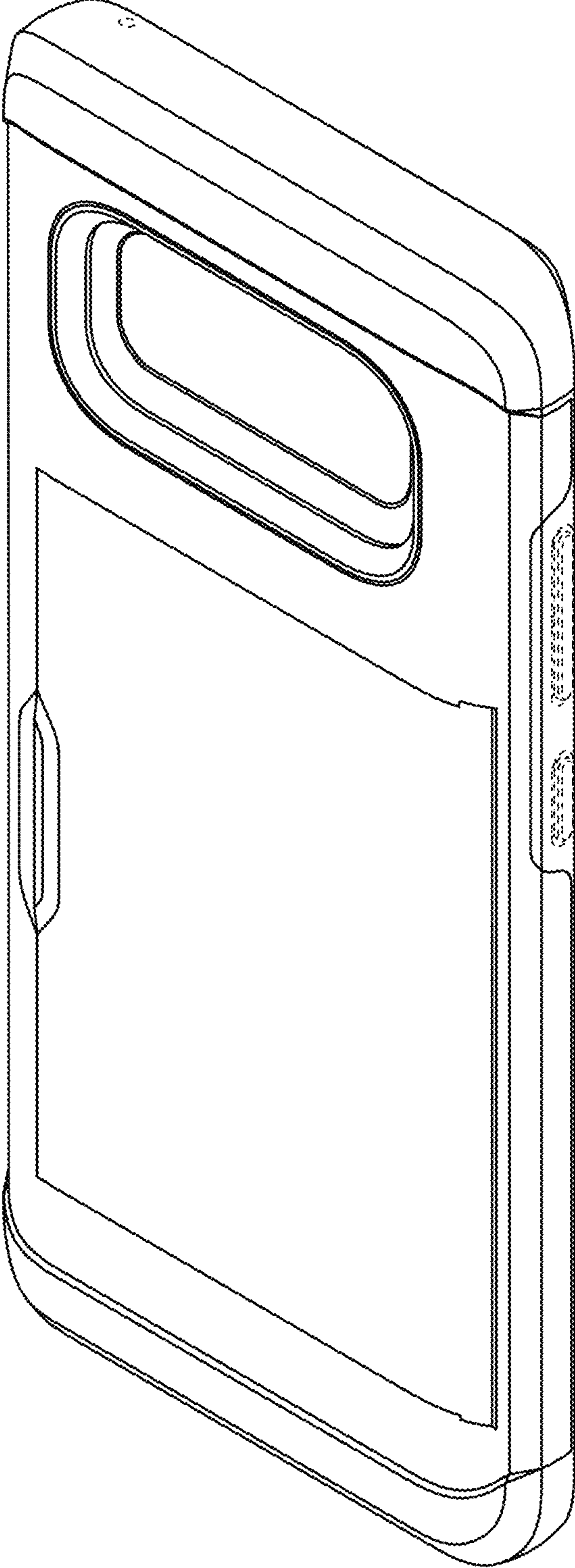


FIG. 3

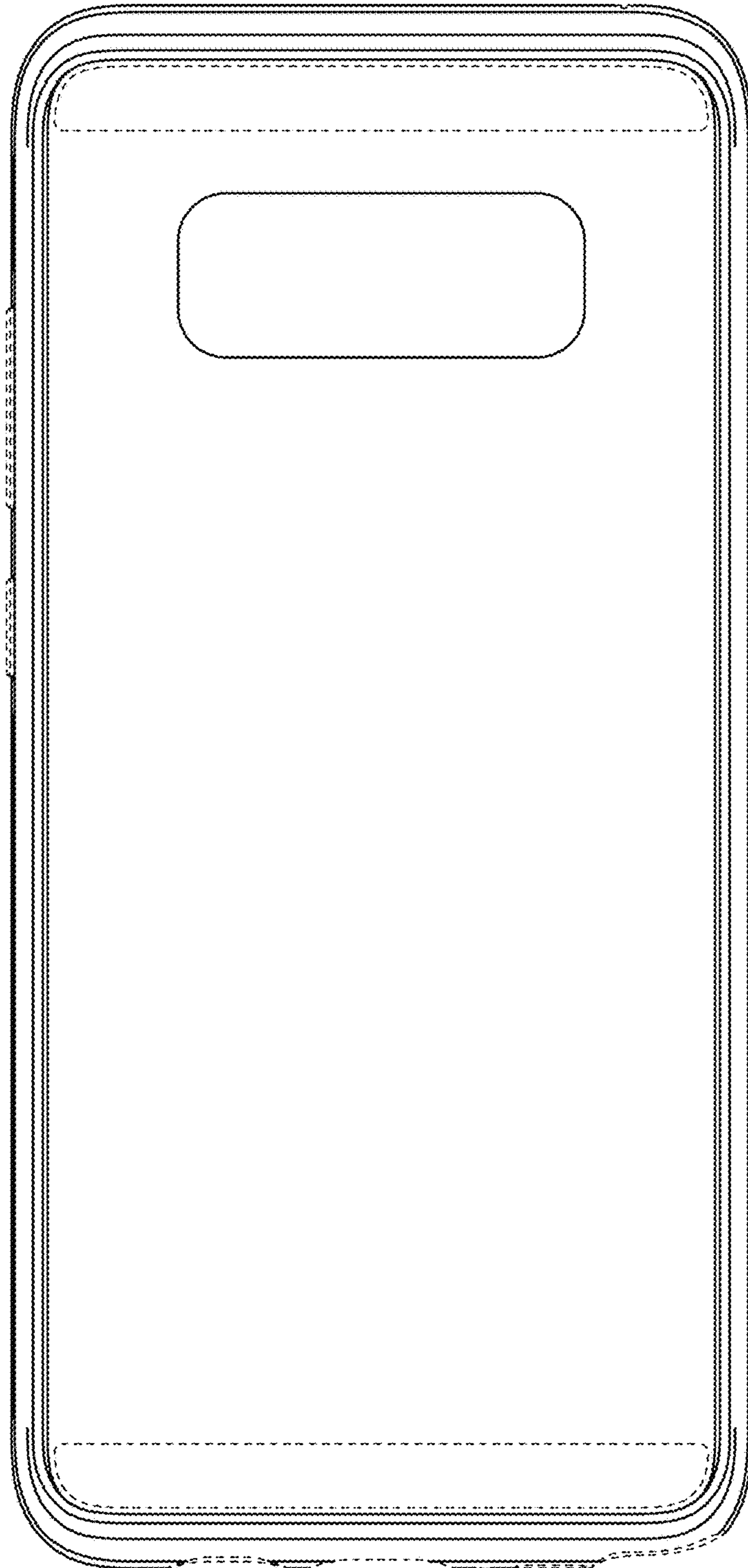


FIG. 4

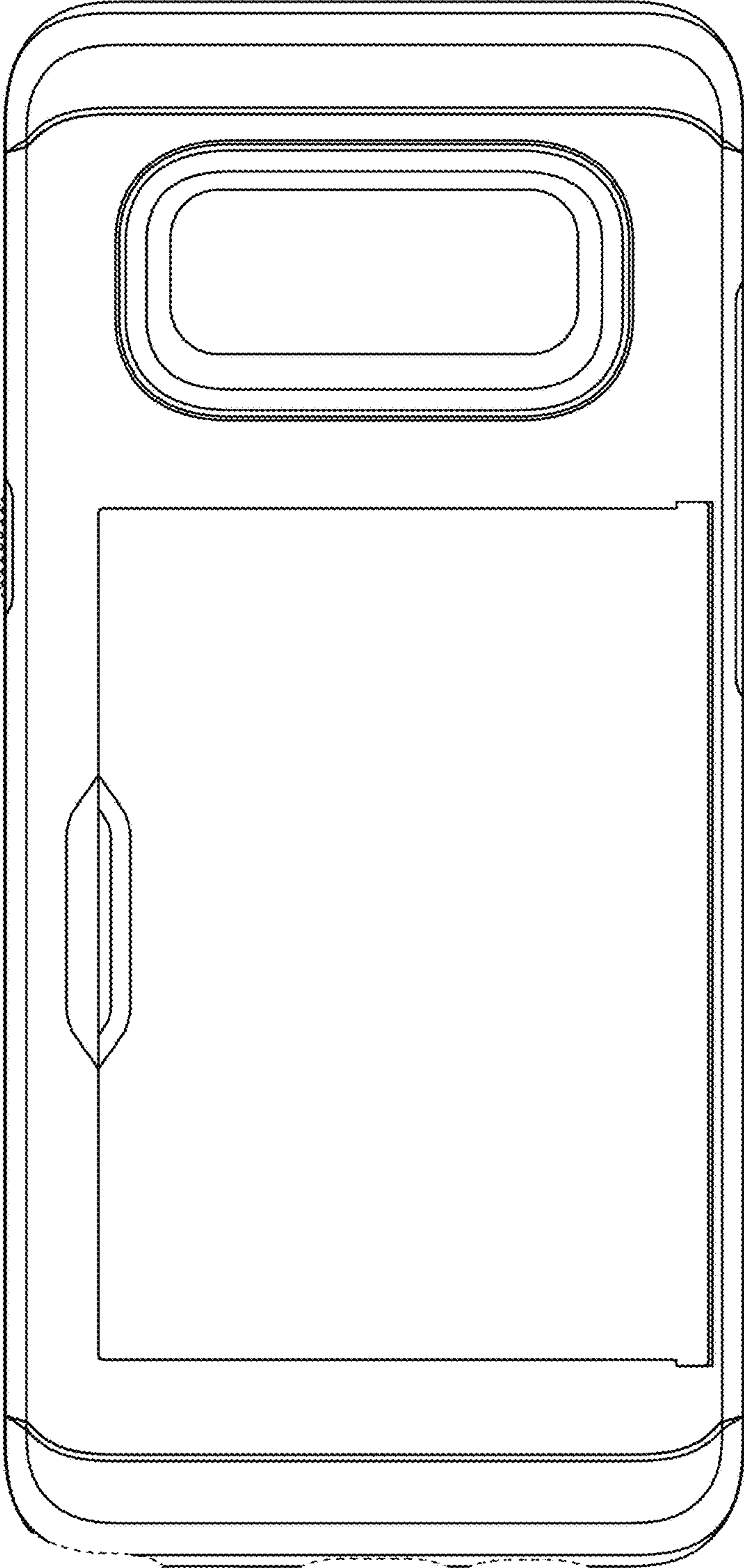


FIG. 5

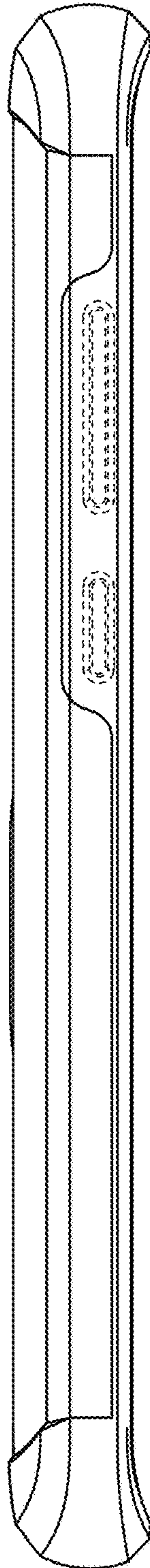


FIG. 6

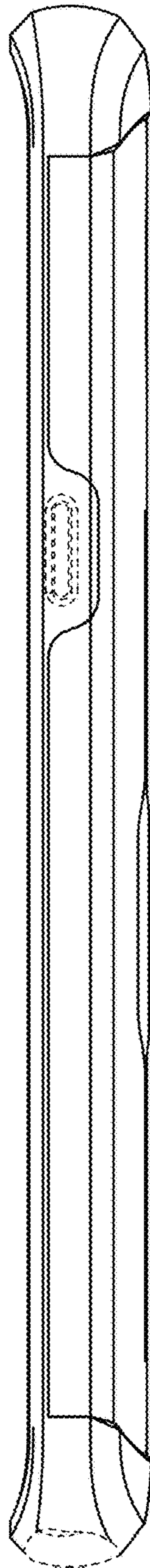


FIG. 7

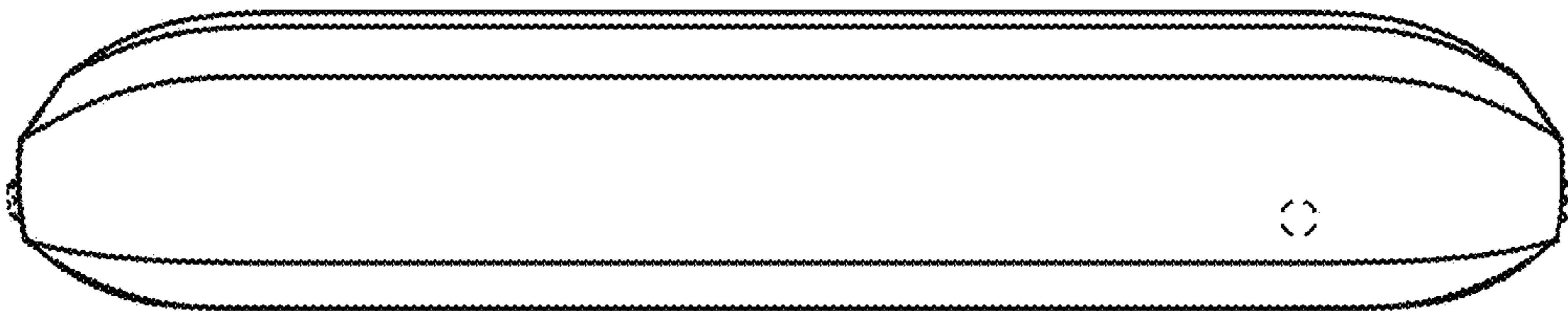


FIG. 8

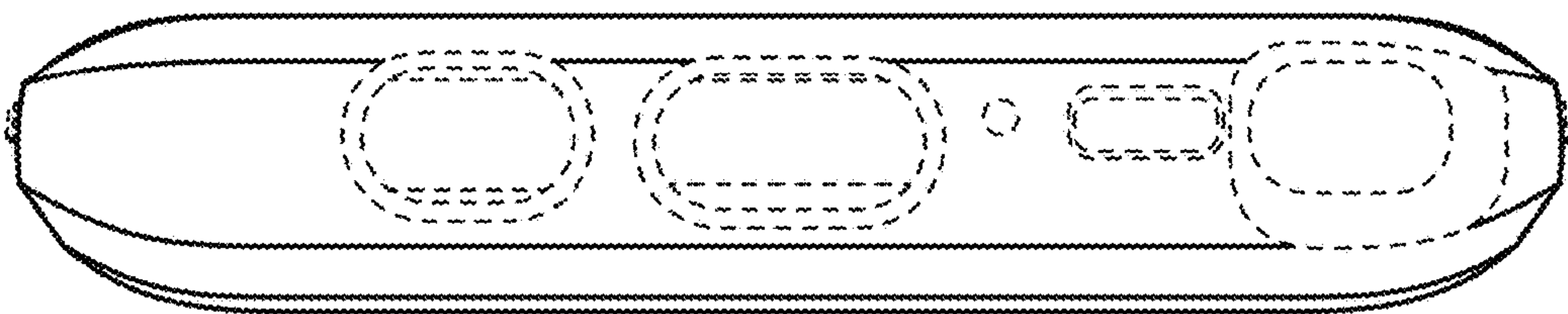


FIG. 9

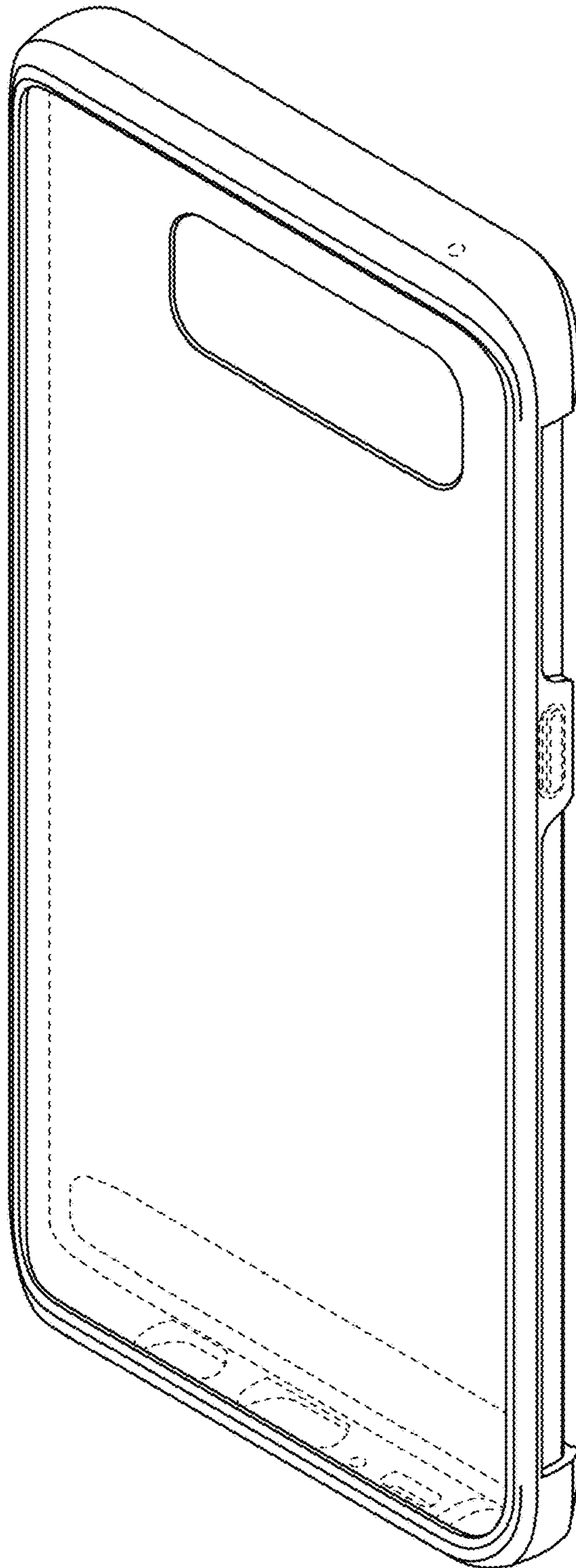


FIG. 10

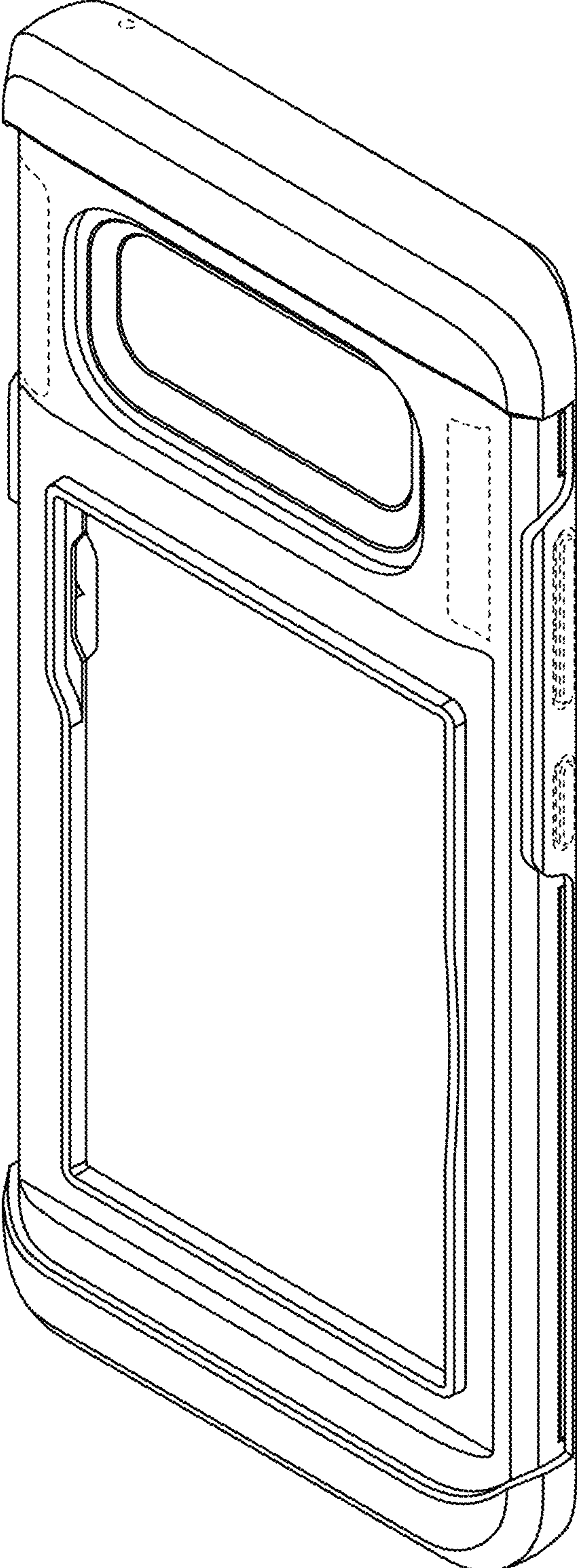


FIG. 11

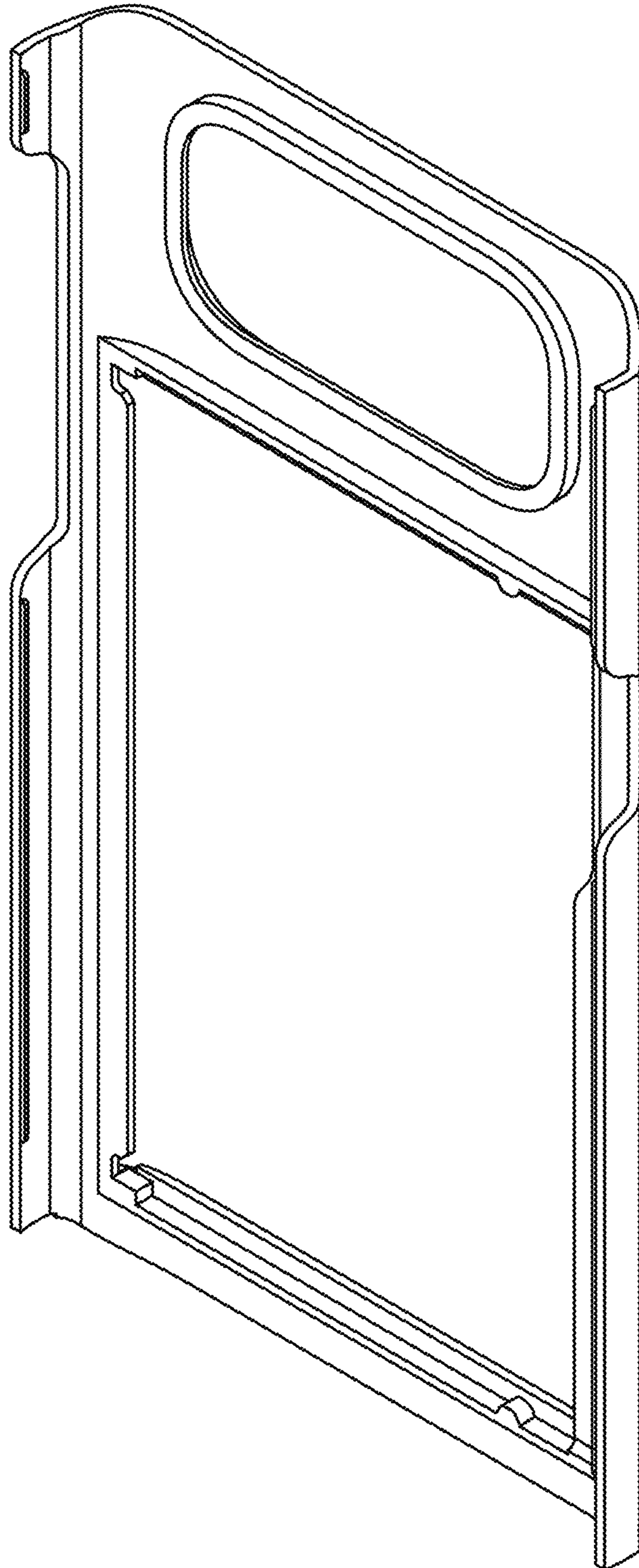


FIG. 12

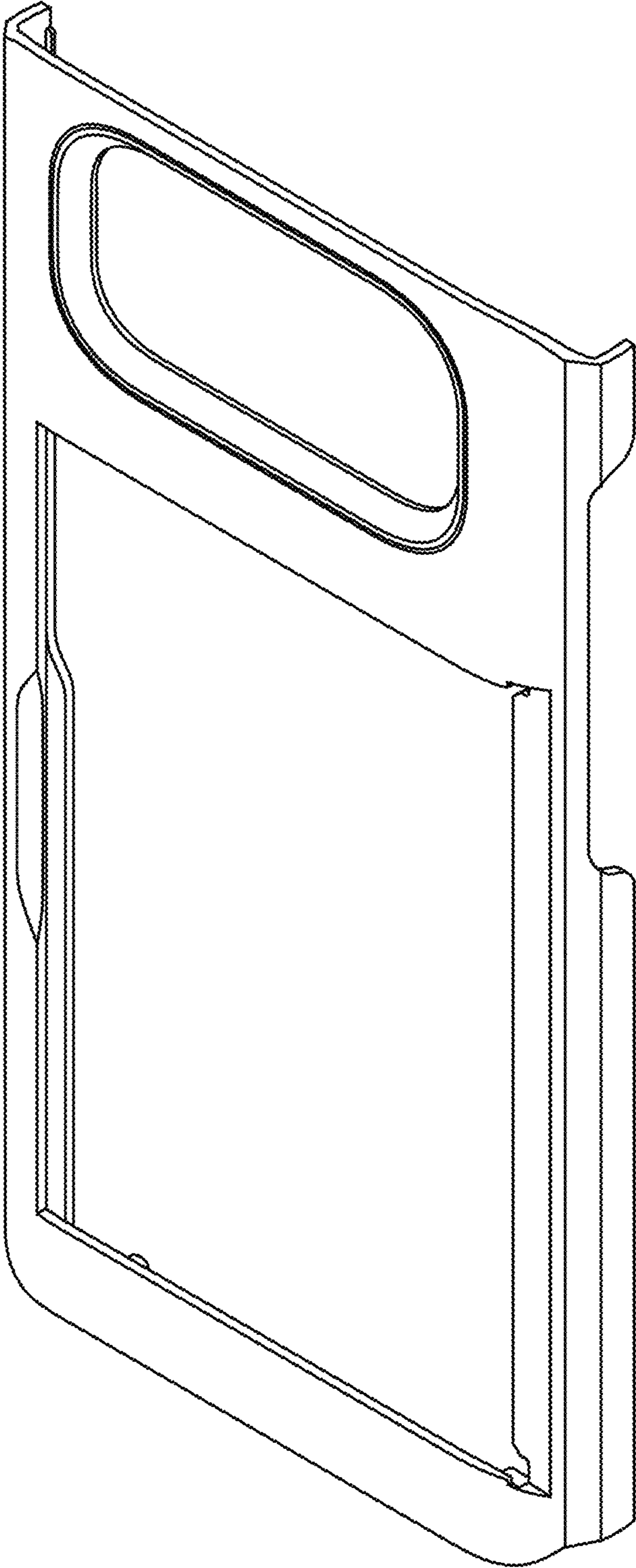


FIG. 13

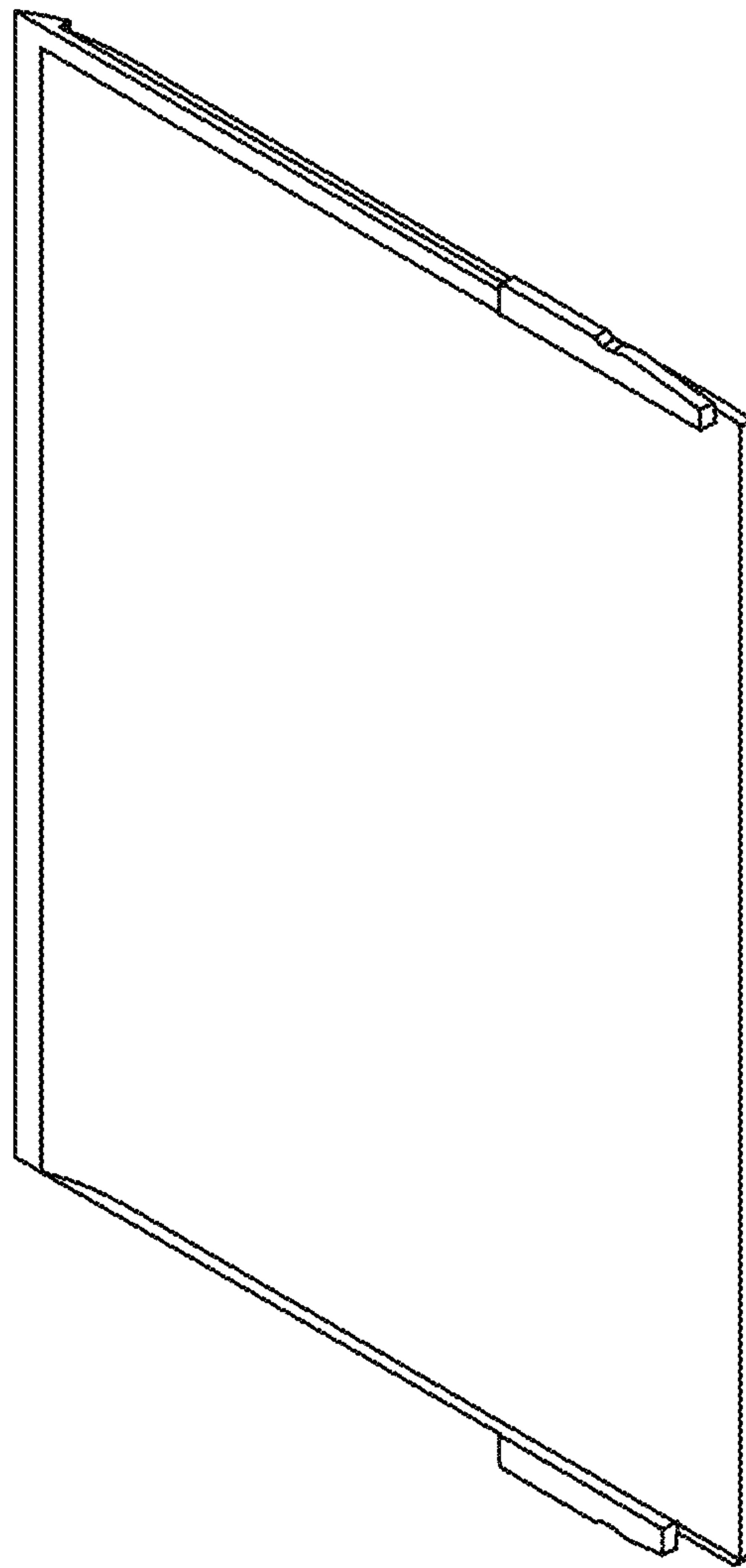


FIG. 14

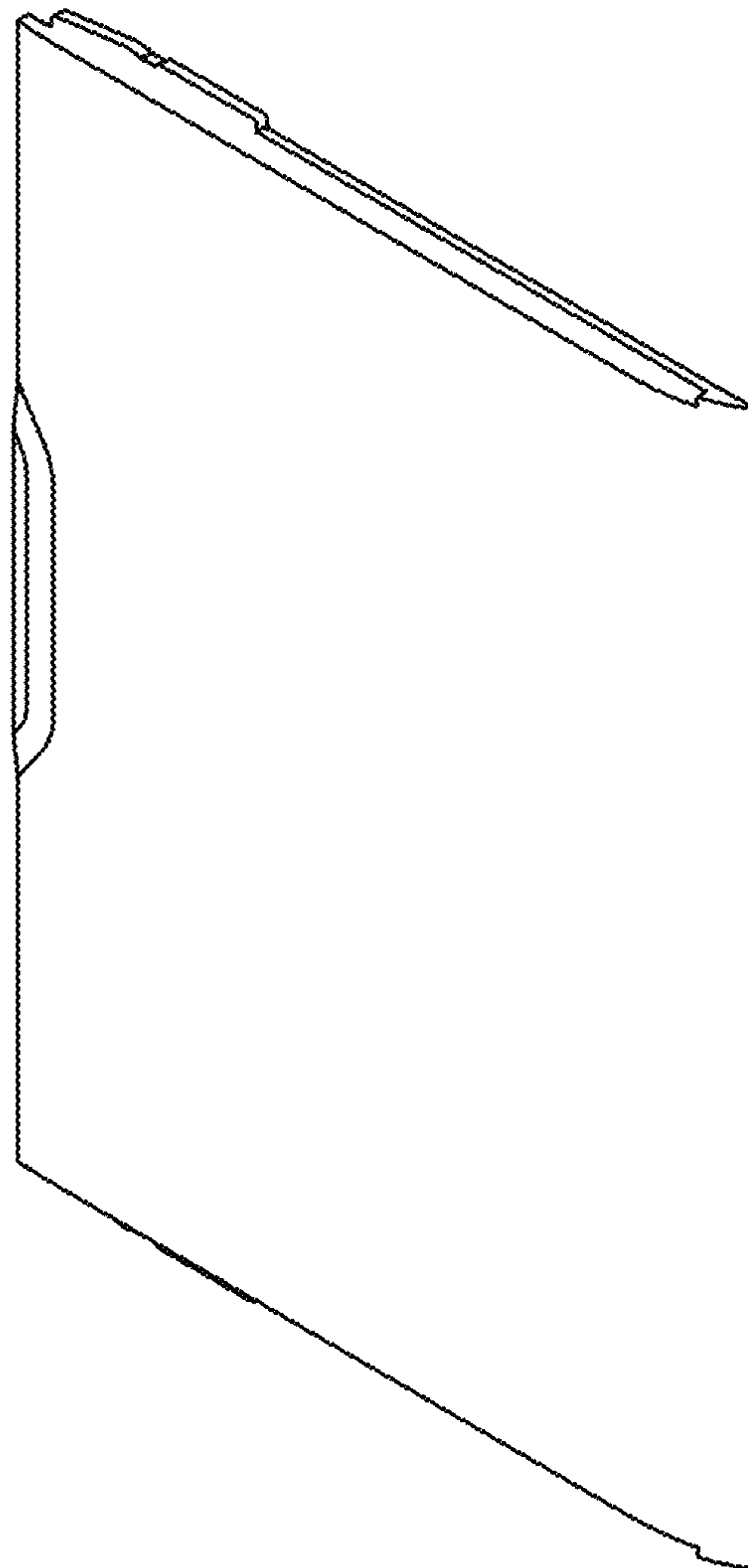


FIG. 15

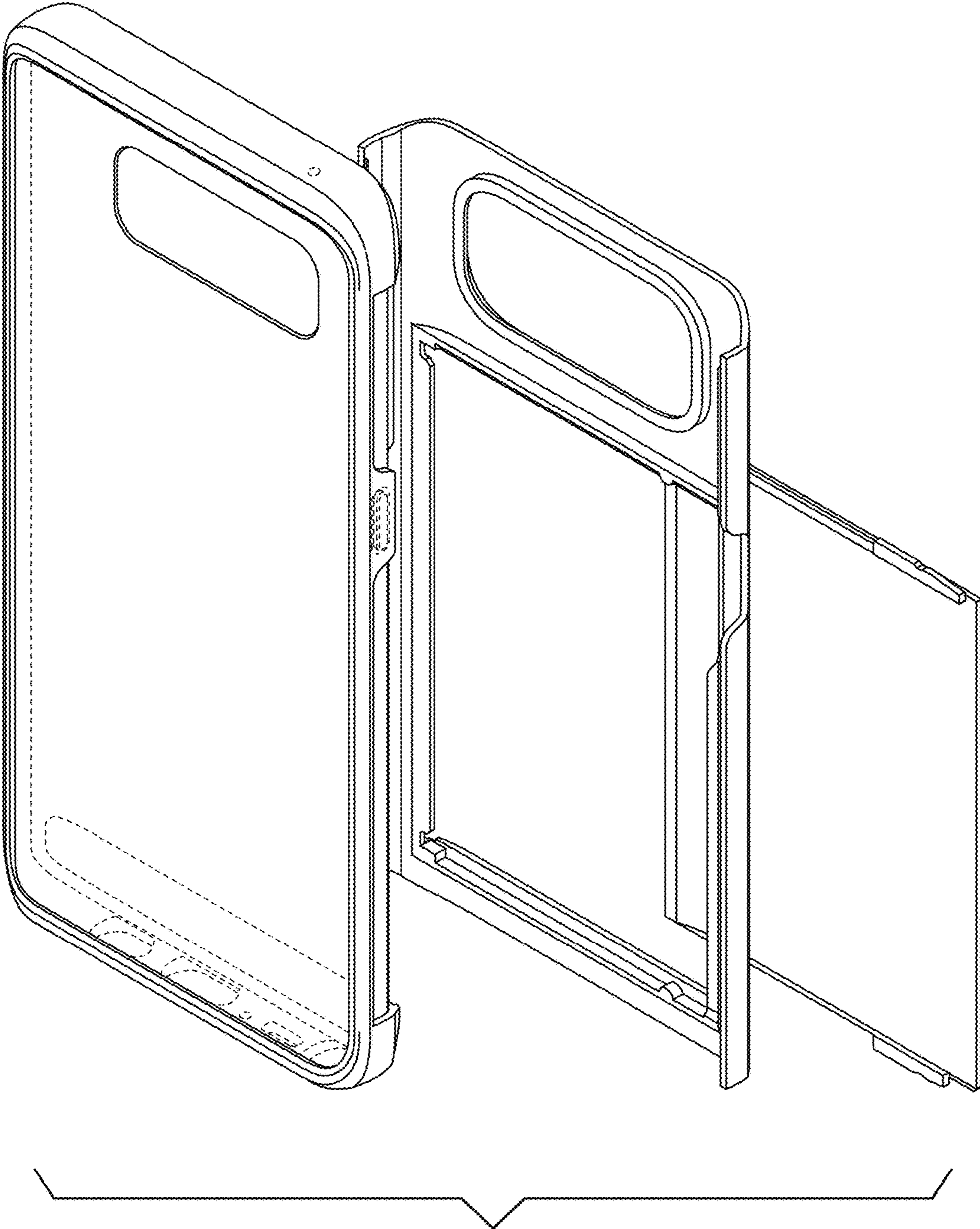


FIG. 16

