



US00D849729S

(12) **United States Design Patent** (10) **Patent No.:** **US D849,729 S**
Kim et al. (45) **Date of Patent:** **** May 28, 2019**

(54) **TELEVISION RECEIVER**

(71) Applicant: **SAMSUNG ELECTRONICS CO., LTD.**, Suwon-si, Gyeonggi-do (KR)

(72) Inventors: **Eun-Ah Kim**, Seoul (KR); **Ji-Gwang Kim**, Seoul (KR); **Su-An Choi**, Seoul (KR)

(73) Assignee: **SAMSUNG ELECTRONICS CO., LTD.**, Gyeonggi-Do (KR)

(**) Term: **15 Years**

(21) Appl. No.: **29/638,402**

(22) Filed: **Feb. 27, 2018**

(30) **Foreign Application Priority Data**

Sep. 1, 2017 (KR) 30-2017-0040929

(51) **LOC (11) Cl.** **14-03**

(52) **U.S. Cl.**
USPC **D14/239**

(58) **Field of Classification Search**
USPC D14/371, 373-377, 382, 451, 126, 239,
D14/125, 127, 129; D6/708, 708.16, 300,
(Continued)

(56) **References Cited**

U.S. PATENT DOCUMENTS

D235,834 S * 7/1975 Payne D6/691.6
6,063,005 A * 5/2000 Schwartz A63K 3/043
482/16

(Continued)

FOREIGN PATENT DOCUMENTS

JP D1245997 S 6/2008
JP D1337650 S 8/2008

(Continued)

Primary Examiner — Brett Miller

(74) *Attorney, Agent, or Firm* — Cantor Colburn LLP

(57) **CLAIM**

The ornamental design for a television receiver, as shown and described.

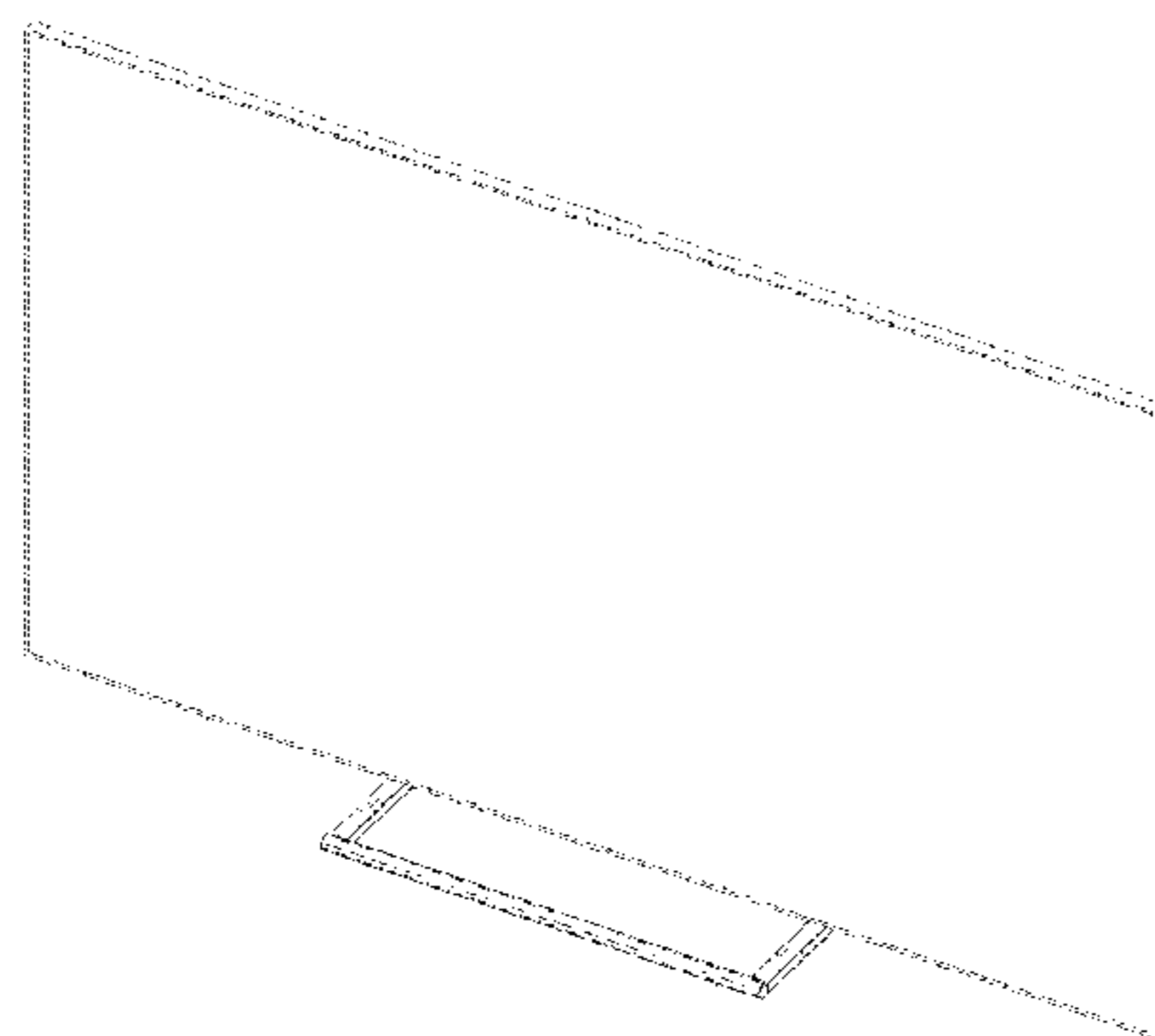
DESCRIPTION

FIG. 1 is a front perspective view of television receiver showing our new design;
FIG. 2 is a front view thereof;
FIG. 3 is a rear view thereof;
FIG. 4 is a left-side view thereof;
FIG. 5 is a right-side view thereof;
FIG. 6 is a top plan view thereof;
FIG. 7 is a bottom plan view thereof;
FIG. 8 is a rear perspective view thereof;
FIG. 9 is an enlarged view of the rectangular portion 9 in FIG. 4;
FIG. 10 is an enlarged view of the rectangular portion 10 in FIG. 8;
FIG. 11 is a front perspective view showing only a stand portion of the television receiver;
FIG. 12 is a front view of FIG. 11;
FIG. 13 is a rear view of FIG. 11;
FIG. 14 is a left-side view of FIG. 11;
FIG. 15 is a right-side view of FIG. 11;
FIG. 16 is a top plan view of FIG. 11;
FIG. 17 is a bottom plan view of FIG. 11;
FIG. 18 is a rear perspective view of FIG. 11; and,
FIG. 19 is an enlarged view of the rectangular portion 19 in FIG. 17.

The evenly dashed broken lines immediately adjacent the shaded areas represent the bounds of the claimed design while all other evenly dashed broken lines are directed to environment and are for illustrative purposes only; the evenly dashed broken lines form no part of the claimed design.

The dot dashed broken lines in the figures define the boundary of the claimed design and form no part thereof.

1 Claim, 19 Drawing Sheets



(58) **Field of Classification Search**

USPC D6/308, 310–313, 691.6; D8/349, 354,
D8/363, 373, 376, 380; D21/691

CPC G06F 1/1601; H04N 5/64; H04N 5/655;
H05K 5/0017; H05K 5/0234

See application file for complete search history.

(56) **References Cited**

U.S. PATENT DOCUMENTS

D508,055	S	*	8/2005	Lo	D14/451
D671,540	S	*	11/2012	Yukawa	D14/451
D695,245	S	*	12/2013	Hara	D14/126
D699,713	S	*	2/2014	Seong	D14/239
D742,364	S	*	11/2015	Reinhertz	D14/239
D819,583	S	*	6/2018	Lee	D14/126
D820,846	S	*	6/2018	Lee	D14/451
D824,355	S	*	7/2018	Kim	D14/126
2017/0295659	A1	*	10/2017	Hori	H05K 5/0017

FOREIGN PATENT DOCUMENTS

JP	D1422573	S	9/2011
JP	D1538284	S	11/2015
JP	D1556342	S	8/2016

* cited by examiner

FIG. 1

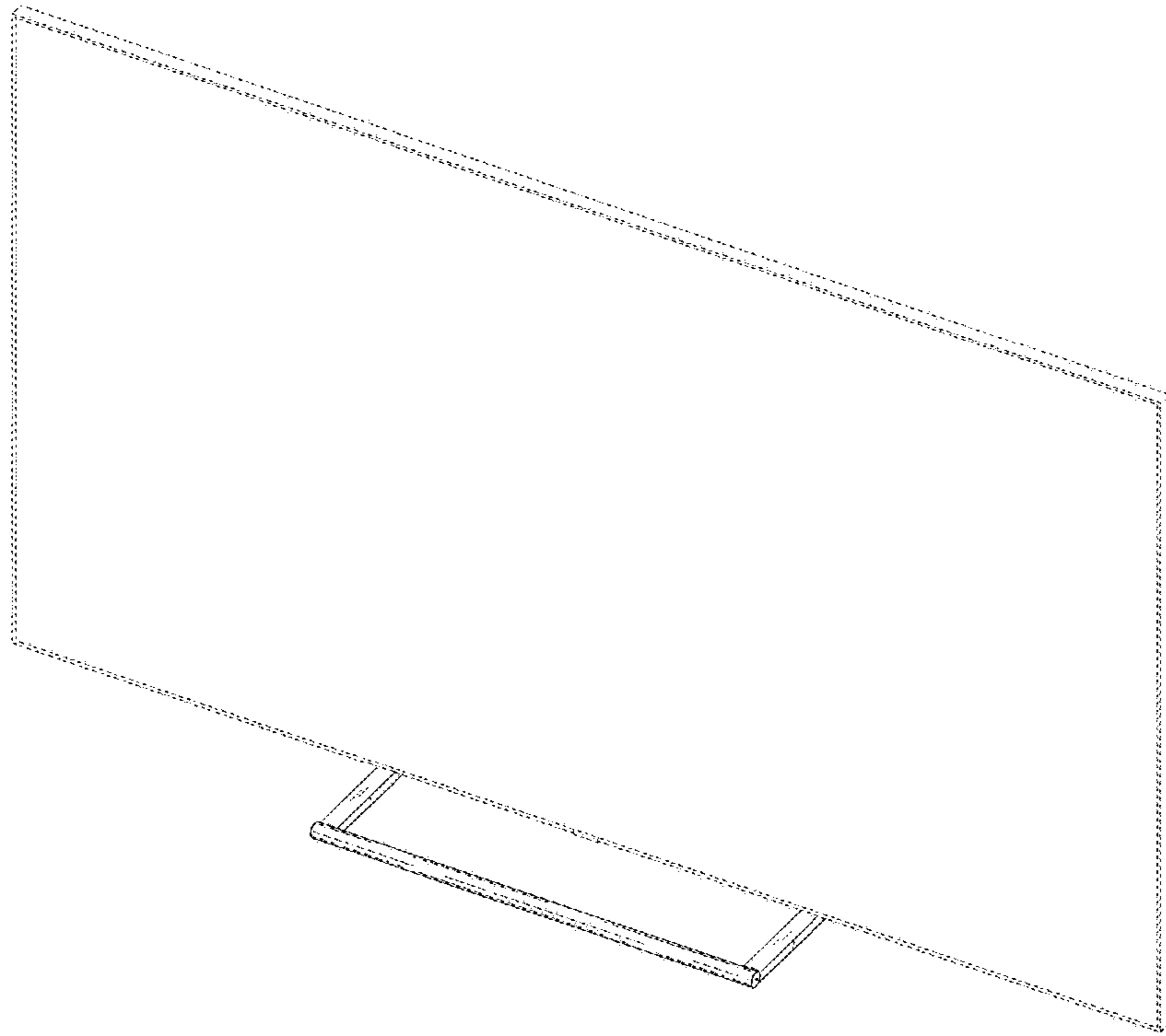


FIG. 2

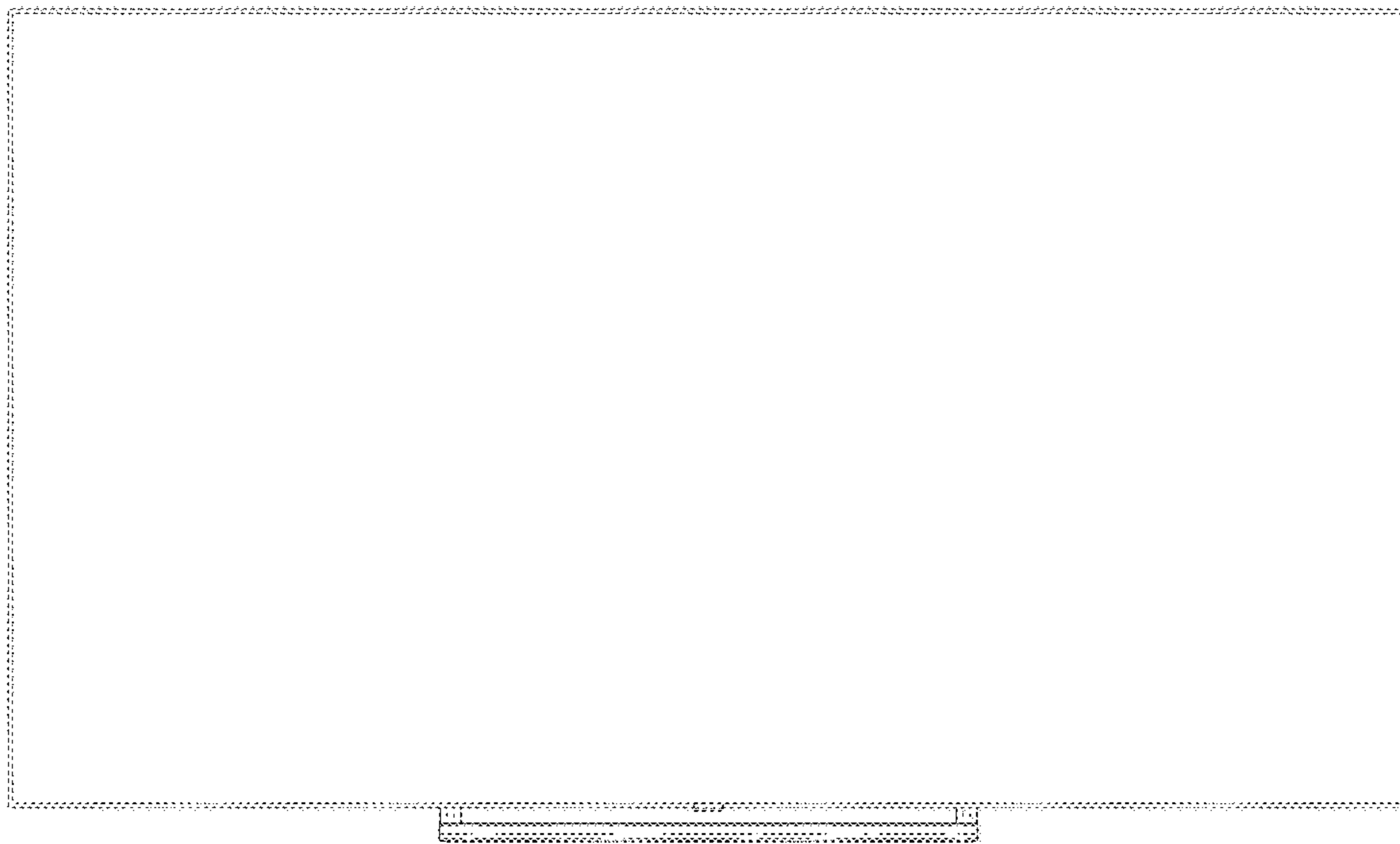


FIG. 3

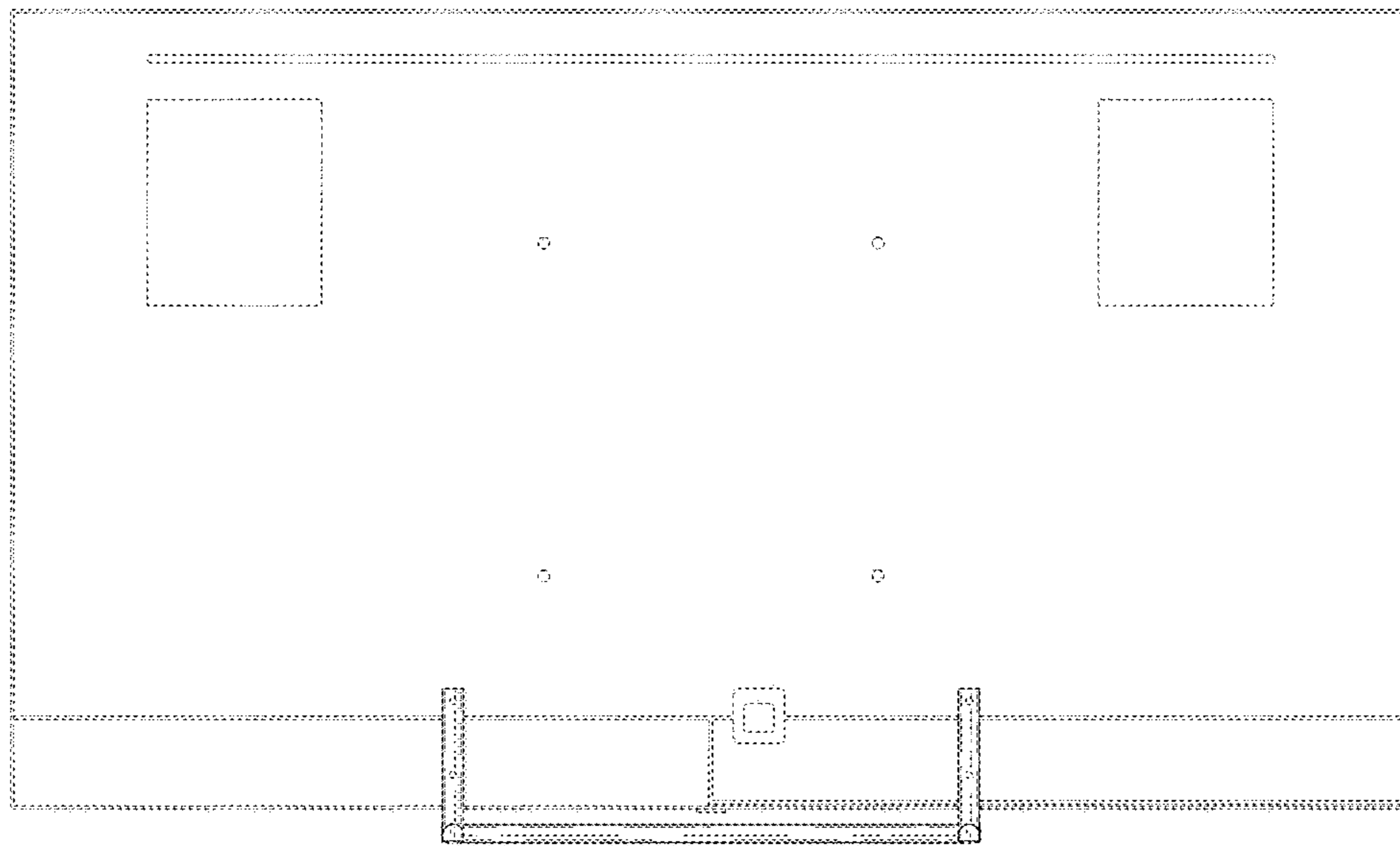


FIG. 4

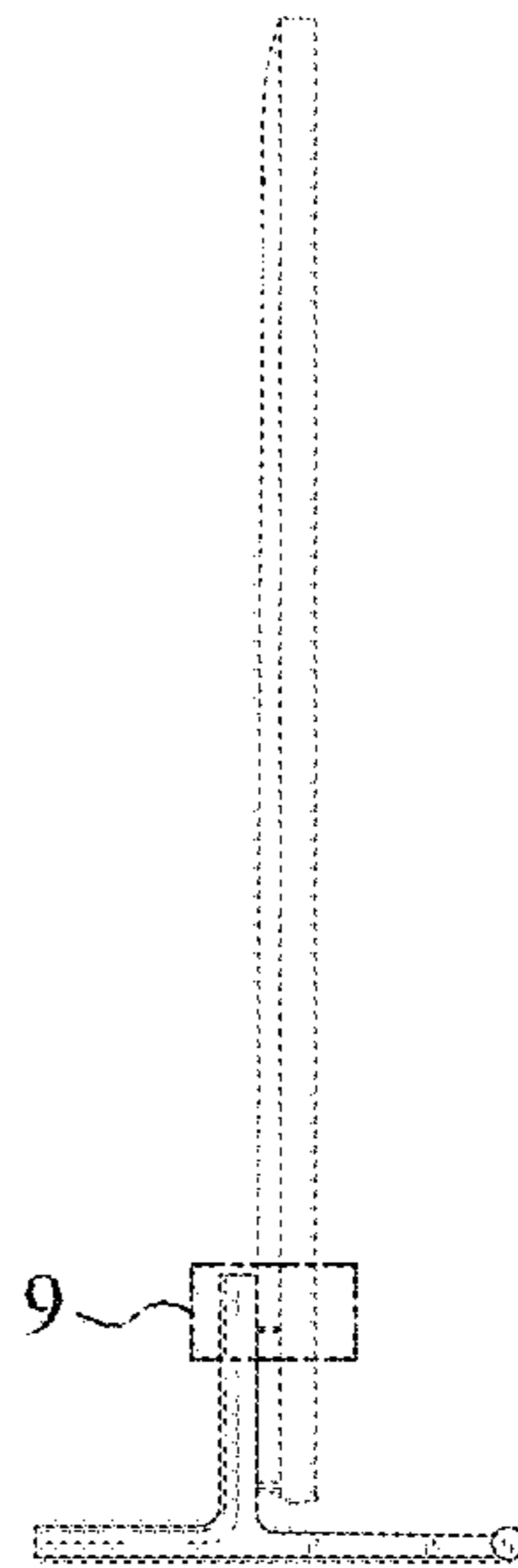


FIG. 5

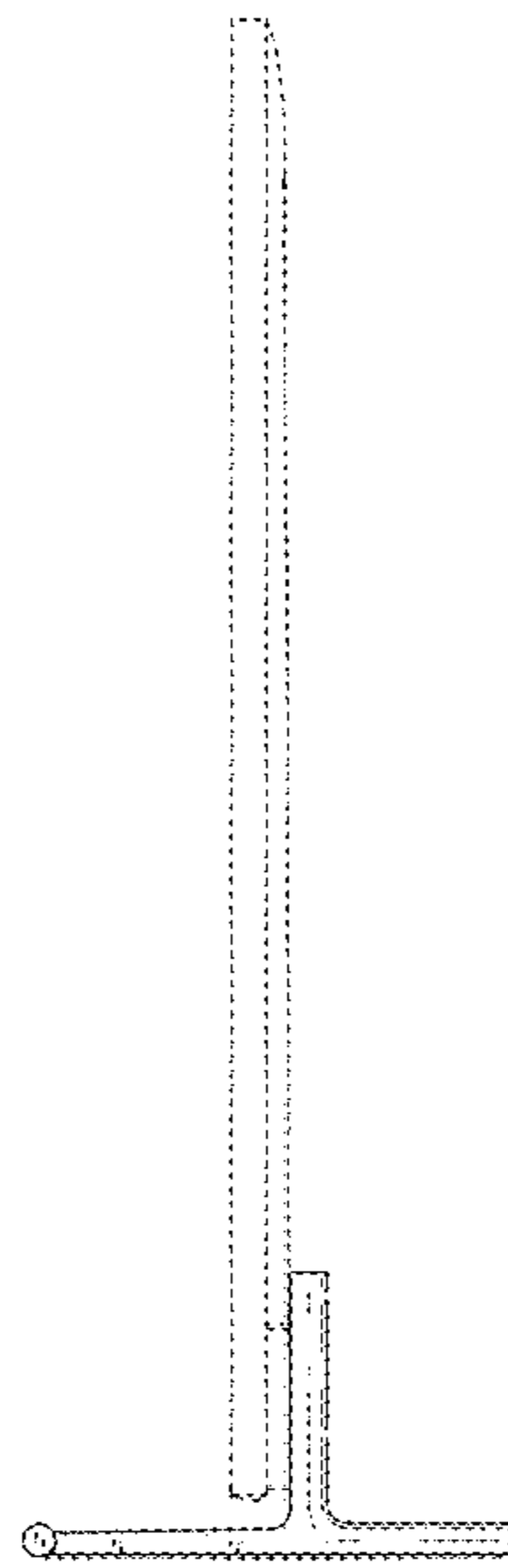


FIG. 6

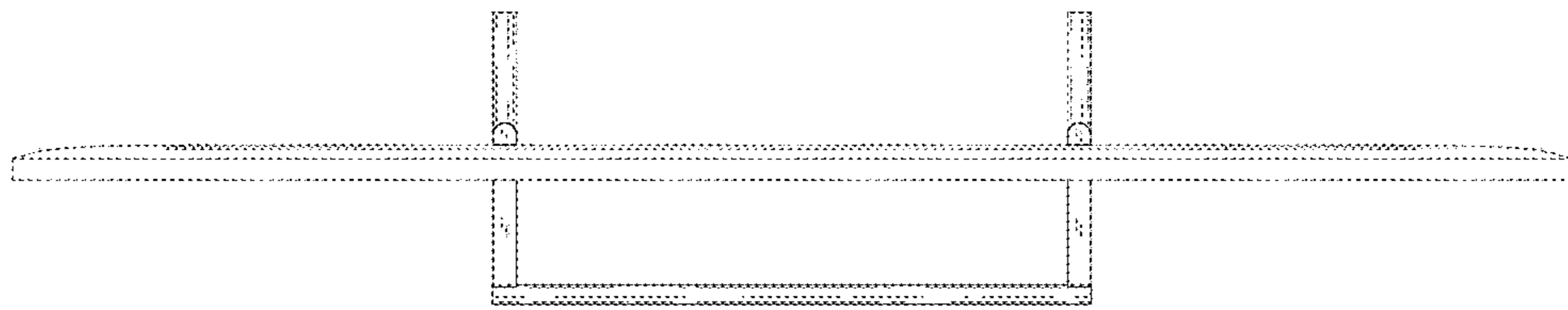


FIG. 7

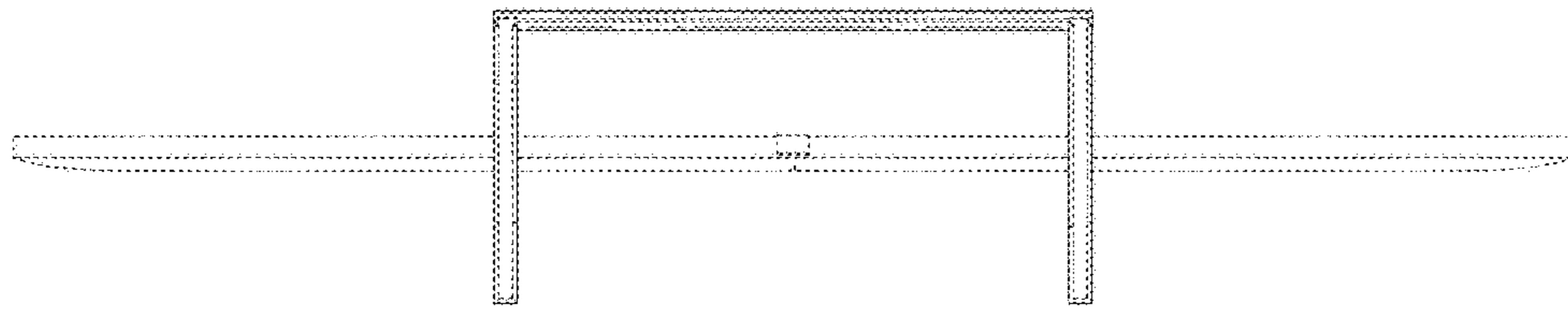


FIG. 8

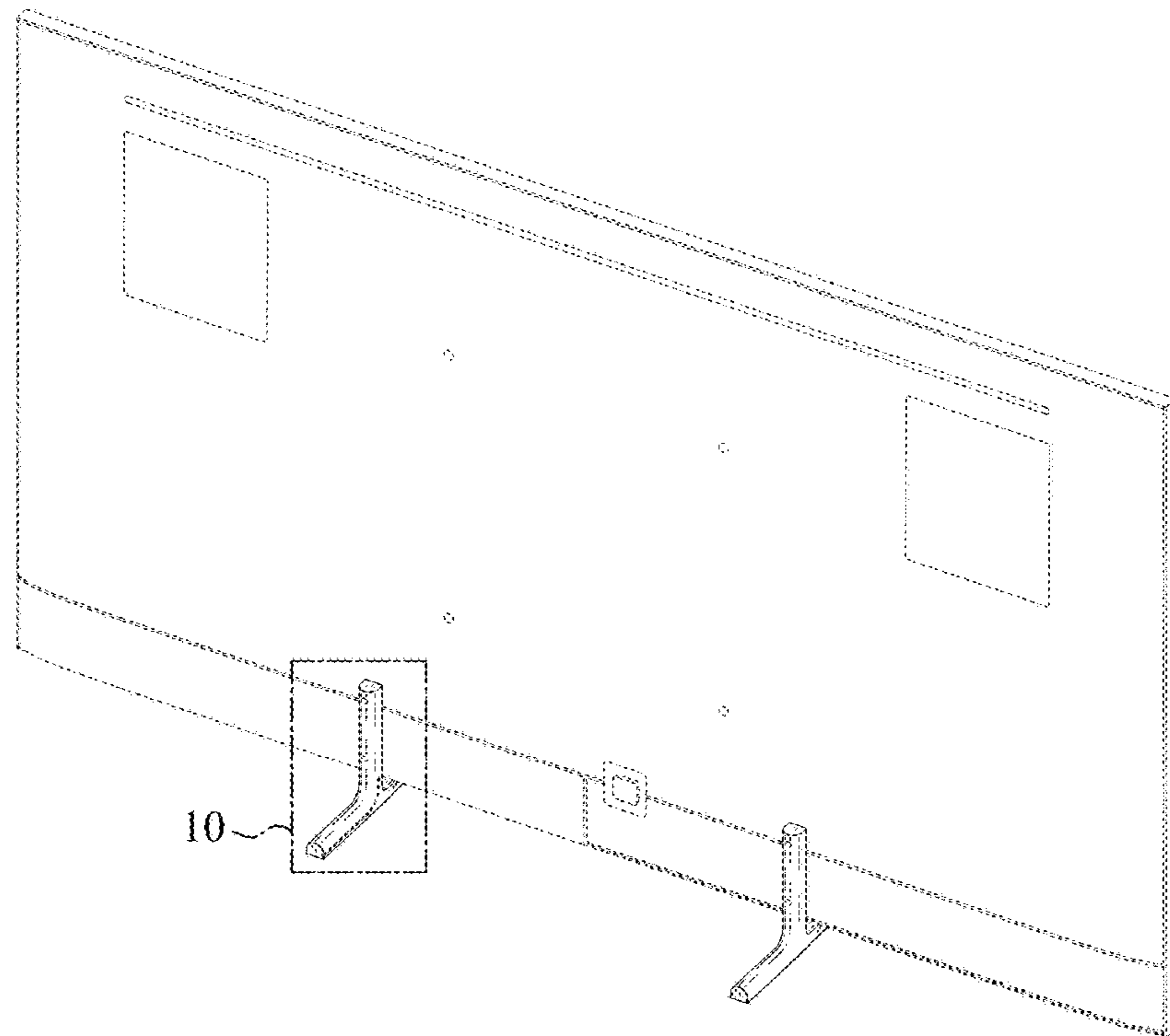


FIG. 9

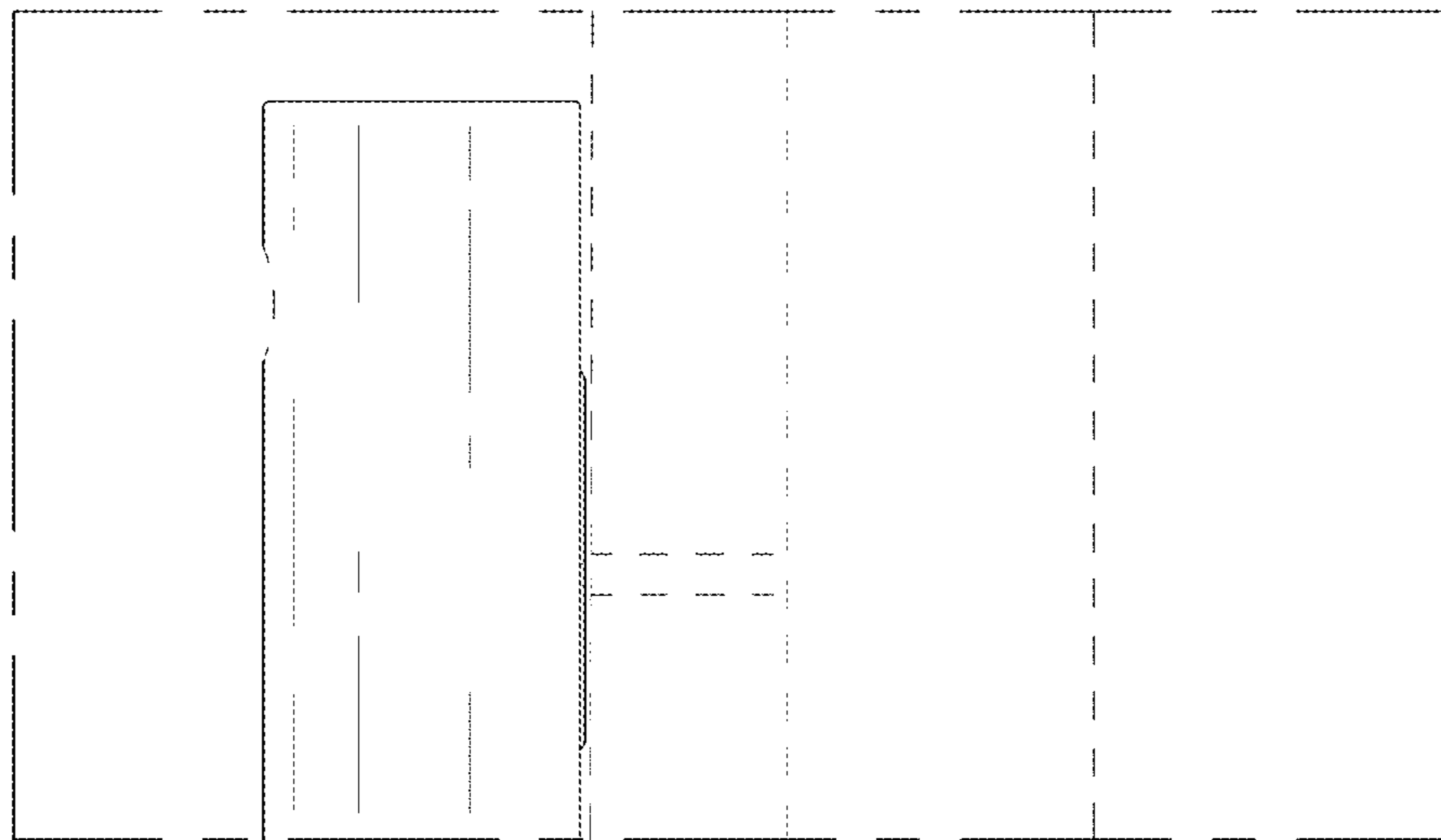


FIG. 10

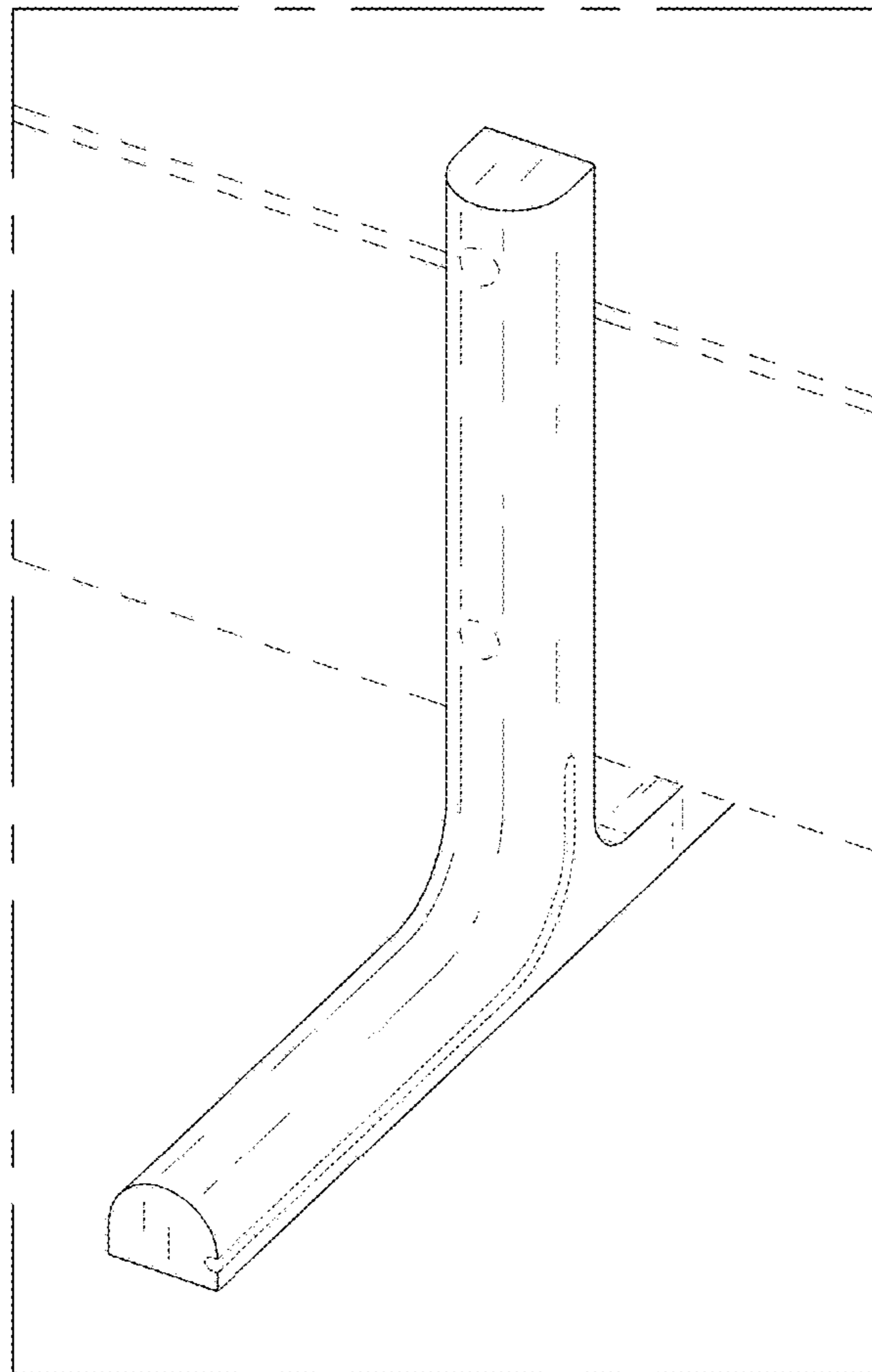


FIG. 11

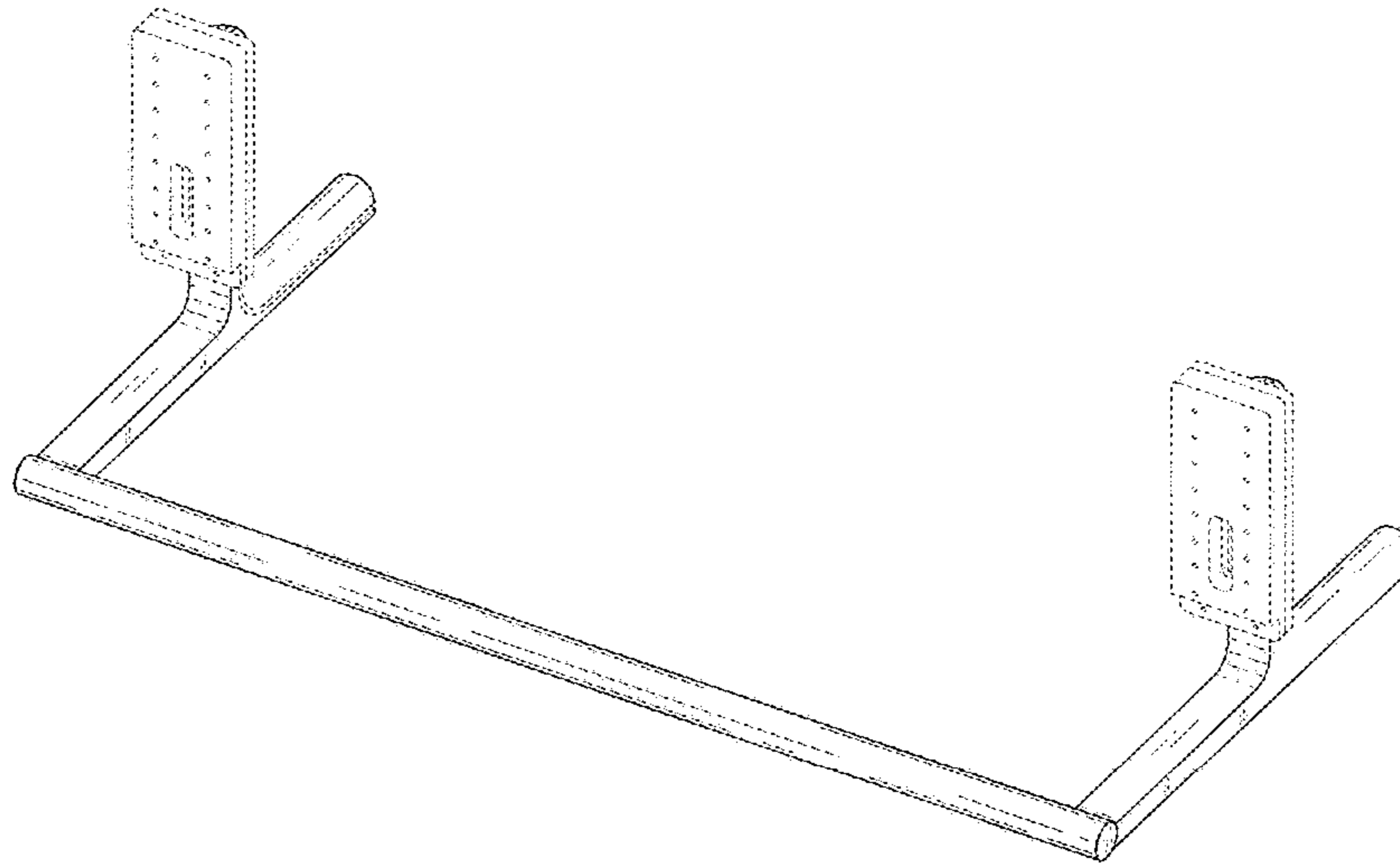


FIG. 12

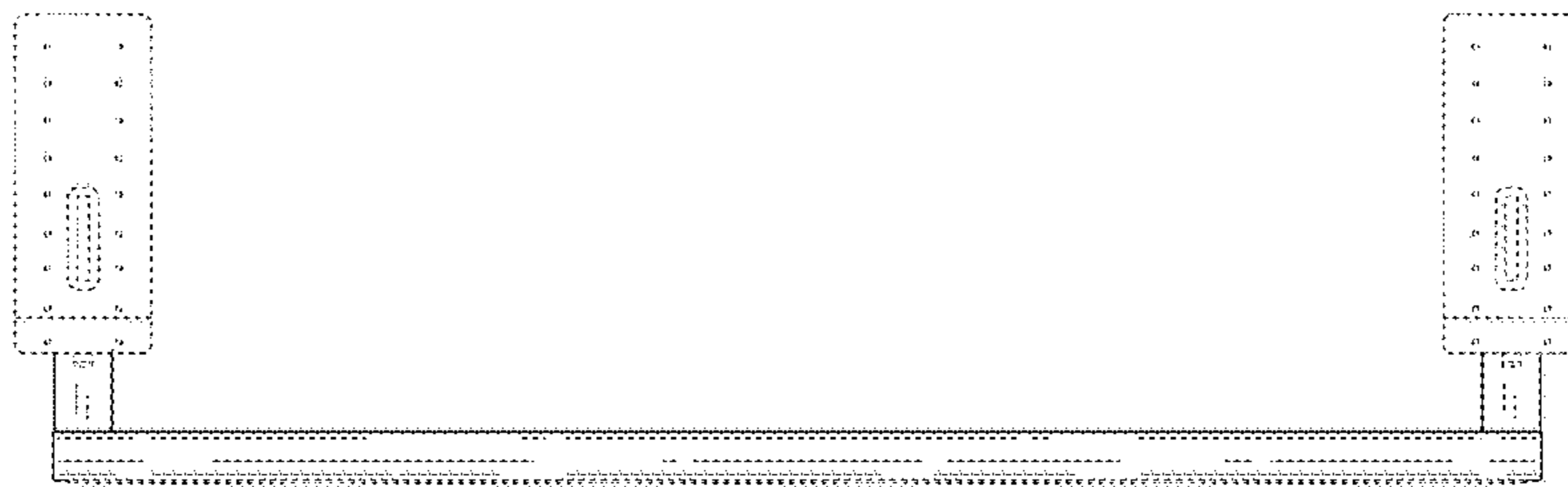


FIG. 13



FIG. 14

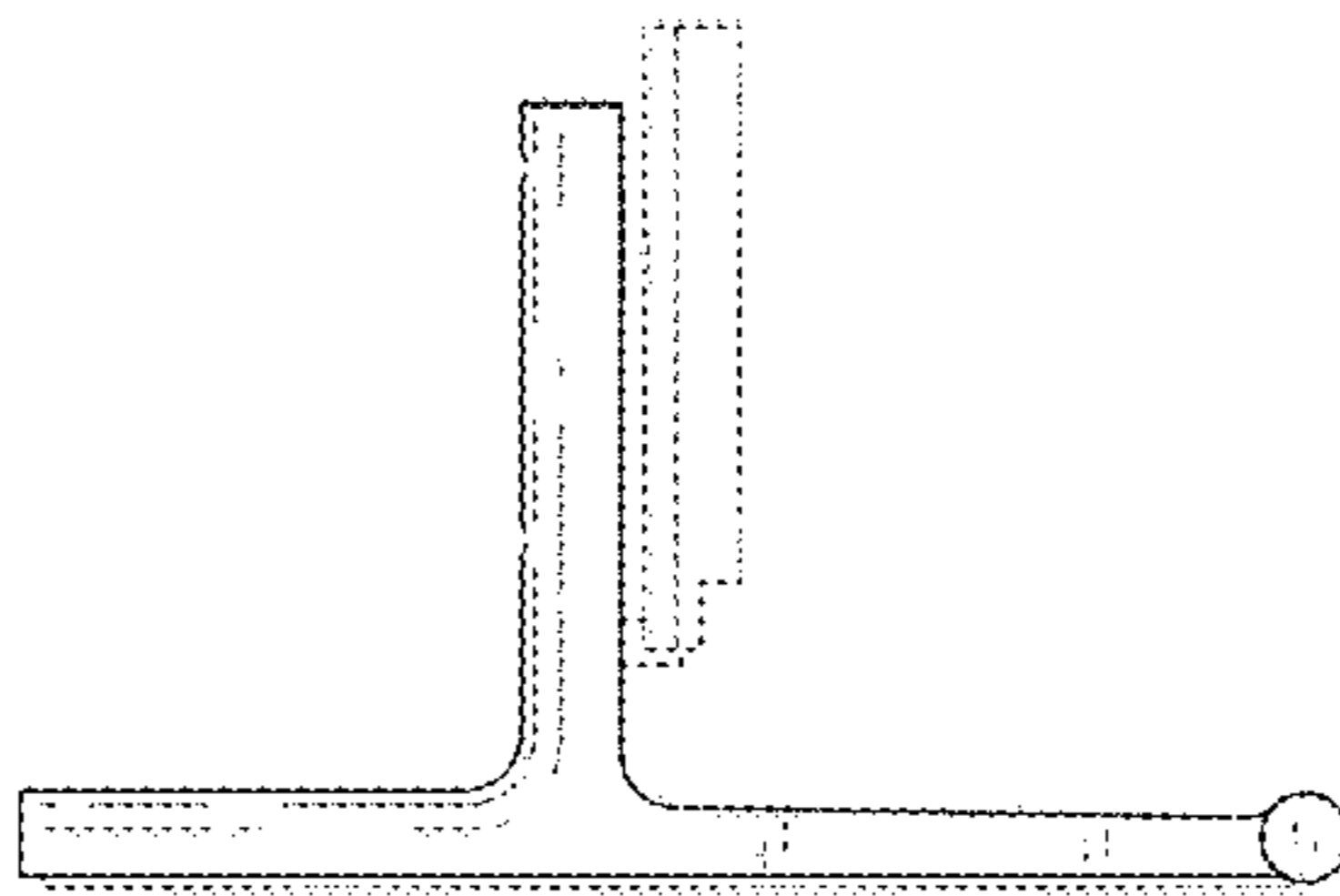


FIG. 15

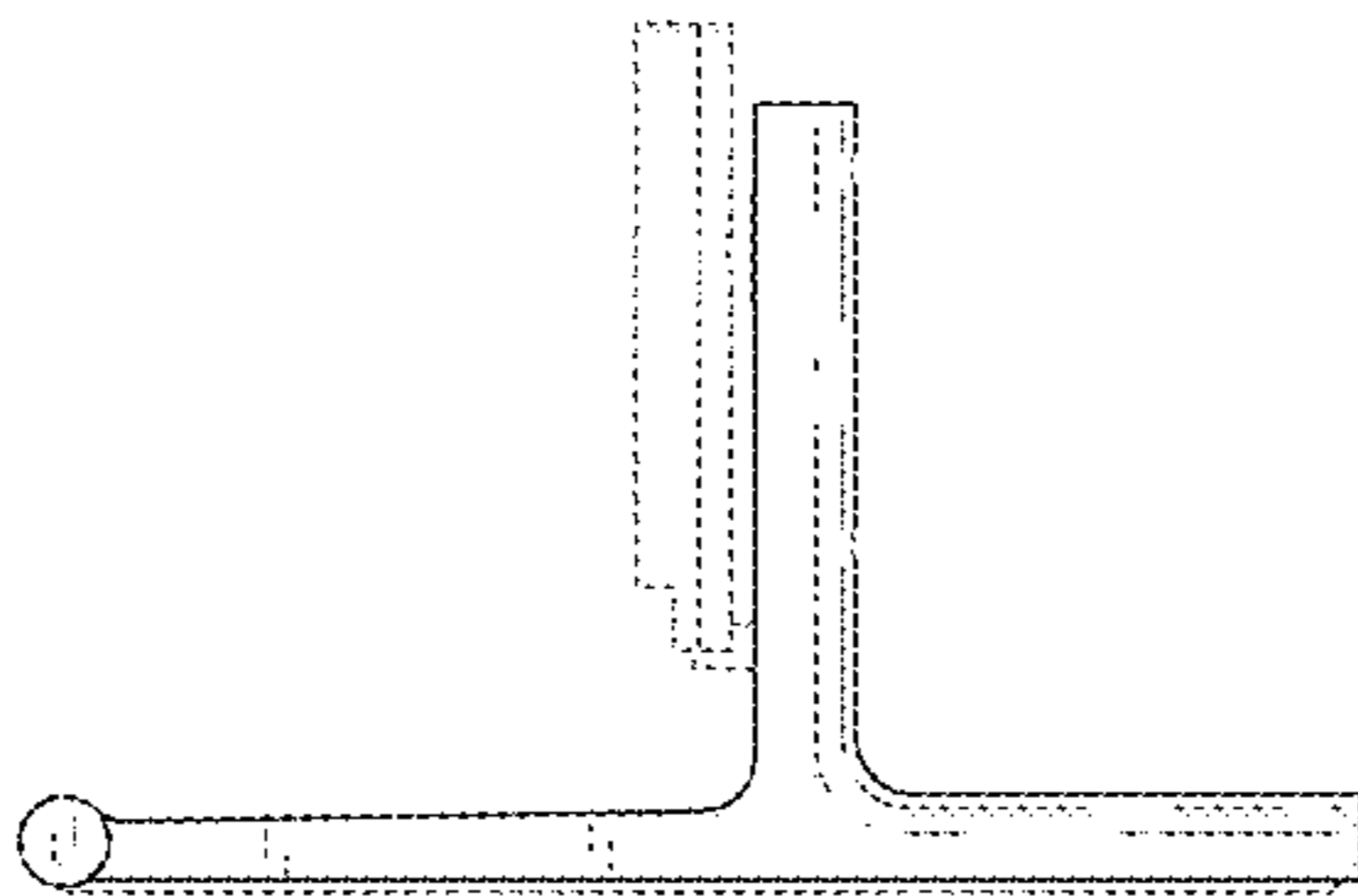


FIG. 16



FIG. 17



FIG. 18

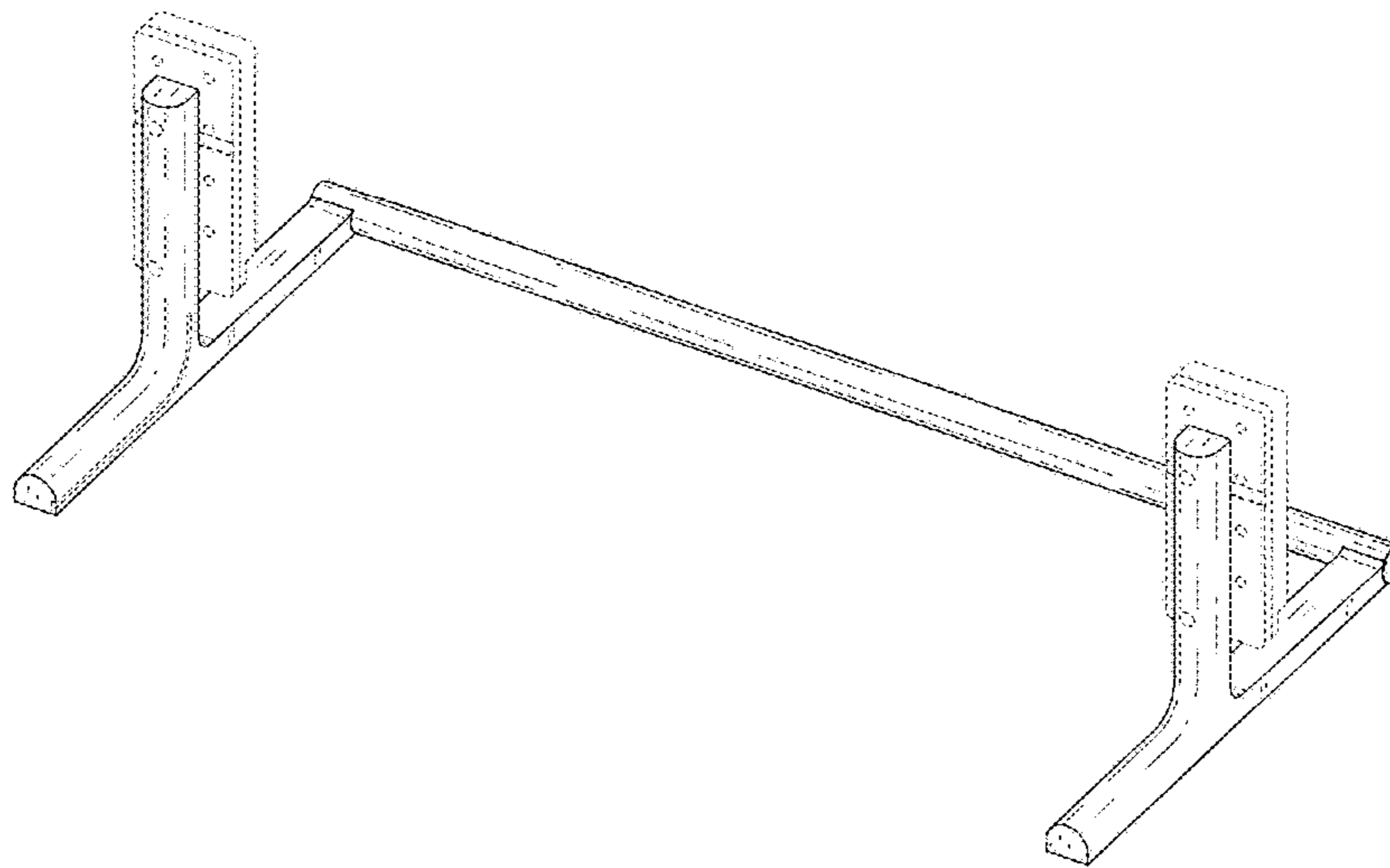


FIG. 19

