



US00D849728S

(12) **United States Design Patent** (10) **Patent No.:** **US D849,728 S**
Kim et al. (45) **Date of Patent:** **** May 28, 2019**

(54) **TELEVISION RECEIVER**

Primary Examiner — Brett Miller

(71) Applicant: **SAMSUNG ELECTRONICS CO., LTD.**, Suwon-si, Gyeonggi-do (KR)

(74) *Attorney, Agent, or Firm* — Cantor Colburn LLP

(72) Inventors: **Eun-Ah Kim**, Seoul (KR); **Ji-Gwang Kim**, Seoul (KR); **Su-An Choi**, Seoul (KR)

(57) **CLAIM**

The ornamental design for a television receiver, as shown and described.

(73) Assignee: **SAMSUNG ELECTRONICS CO., LTD.**, Gyeonggi-Do (KR)

DESCRIPTION

(**) Term: **15 Years**

(21) Appl. No.: **29/638,390**

(22) Filed: **Feb. 27, 2018**

(30) **Foreign Application Priority Data**

Sep. 1, 2017 (KR) 30-2017-0040927

(51) **LOC (11) Cl.** **14-03**

(52) **U.S. Cl.**
USPC **D14/239**

(58) **Field of Classification Search**
USPC D14/371, 373-377, 382, 451, 126, 239, D14/125, 127, 129; D6/708, 708.16, 300,
(Continued)

(56) **References Cited**

U.S. PATENT DOCUMENTS

D235,834 S * 7/1975 Payne D6/691.6
6,063,005 A * 5/2000 Schwartz A63K 3/043
482/16

(Continued)

FOREIGN PATENT DOCUMENTS

CN 303169285 S 4/2015
CN 303169322 S 4/2015

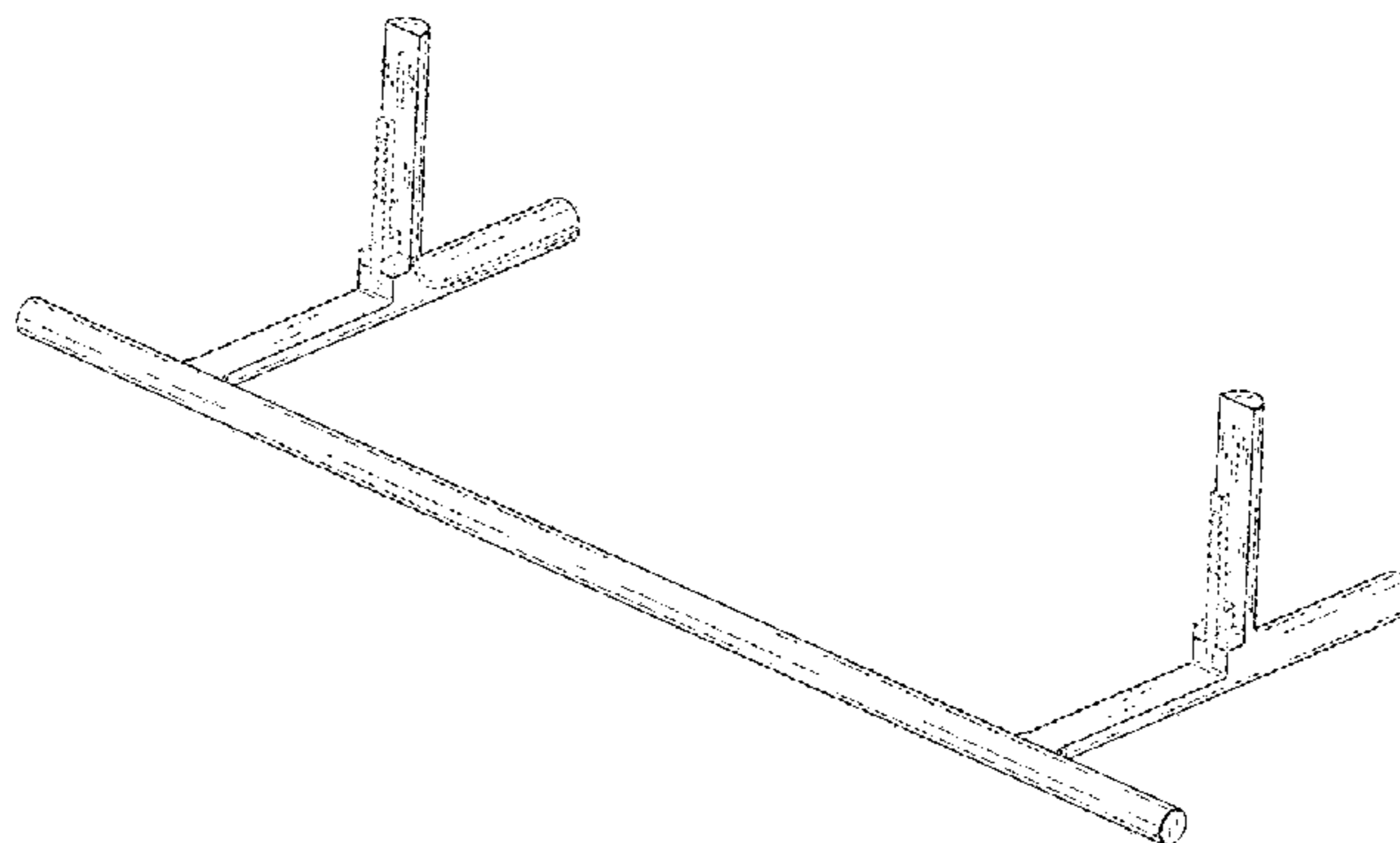
(Continued)

FIG. 1 is a front perspective view of television receiver showing our new design;
FIG. 2 is a front view thereof;
FIG. 3 is a rear view thereof;
FIG. 4 is a left-side view thereof;
FIG. 5 is a right-side view thereof;
FIG. 6 is a top plan view thereof;
FIG. 7 is a bottom plan view thereof;
FIG. 8 is a rear perspective view thereof;
FIG. 9 is an enlarged view of 9 in FIG. 4;
FIG. 10 is a front perspective view showing only a stand portion of the television receiver;
FIG. 11 is a front view of FIG. 10;
FIG. 12 is a rear view of FIG. 10;
FIG. 13 is a left-side view of FIG. 10;
FIG. 14 is a right-side view of FIG. 10;
FIG. 15 is a top plan view of FIG. 10;
FIG. 16 is a bottom plan view of FIG. 10; and,
FIG. 17 is a rear perspective view of FIG. 10.

The evenly dashed broken lines immediately adjacent the shaded areas represent the bounds of the claimed design while all other evenly dashed broken lines are directed to environment and are for illustrative purposes only; the evenly dashed broken lines form no part of the claimed design.

The dot-dash broken lines encircling portions of the claimed design that are illustrated in enlargement form no part of the claimed design.

1 Claim, 17 Drawing Sheets



(58) **Field of Classification Search**

USPC D6/308, 310–313, 691.6; D8/349, 354,
D8/363, 373, 376, 380; D21/691

CPC G06F 1/1601; H04N 5/64; H04N 5/655;
H05K 5/0017; H05K 5/0234

See application file for complete search history.

(56) **References Cited**

U.S. PATENT DOCUMENTS

| | | | | | | |
|--------------|----|---|---------|-----------|-------|-------------|
| D508,055 | S | * | 8/2005 | Lo | | D14/451 |
| D671,540 | S | * | 11/2012 | Yukawa | | D14/451 |
| D695,245 | S | * | 12/2013 | Hara | | D14/126 |
| D699,713 | S | * | 2/2014 | Seong | | D14/239 |
| D742,364 | S | * | 11/2015 | Reinhertz | | D14/239 |
| D819,583 | S | * | 6/2018 | Lee | | D14/126 |
| D820,846 | S | * | 6/2018 | Lee | | D14/451 |
| D824,355 | S | * | 7/2018 | Kim | | D14/126 |
| 2017/0295659 | A1 | * | 10/2017 | Hori | | H05K 5/0017 |

FOREIGN PATENT DOCUMENTS

| | | | |
|----|-----------|---|---------|
| KR | 300672767 | S | 12/2012 |
| KR | 300729211 | S | 2/2014 |
| KR | 300731891 | S | 3/2014 |

* cited by examiner

FIG. 1

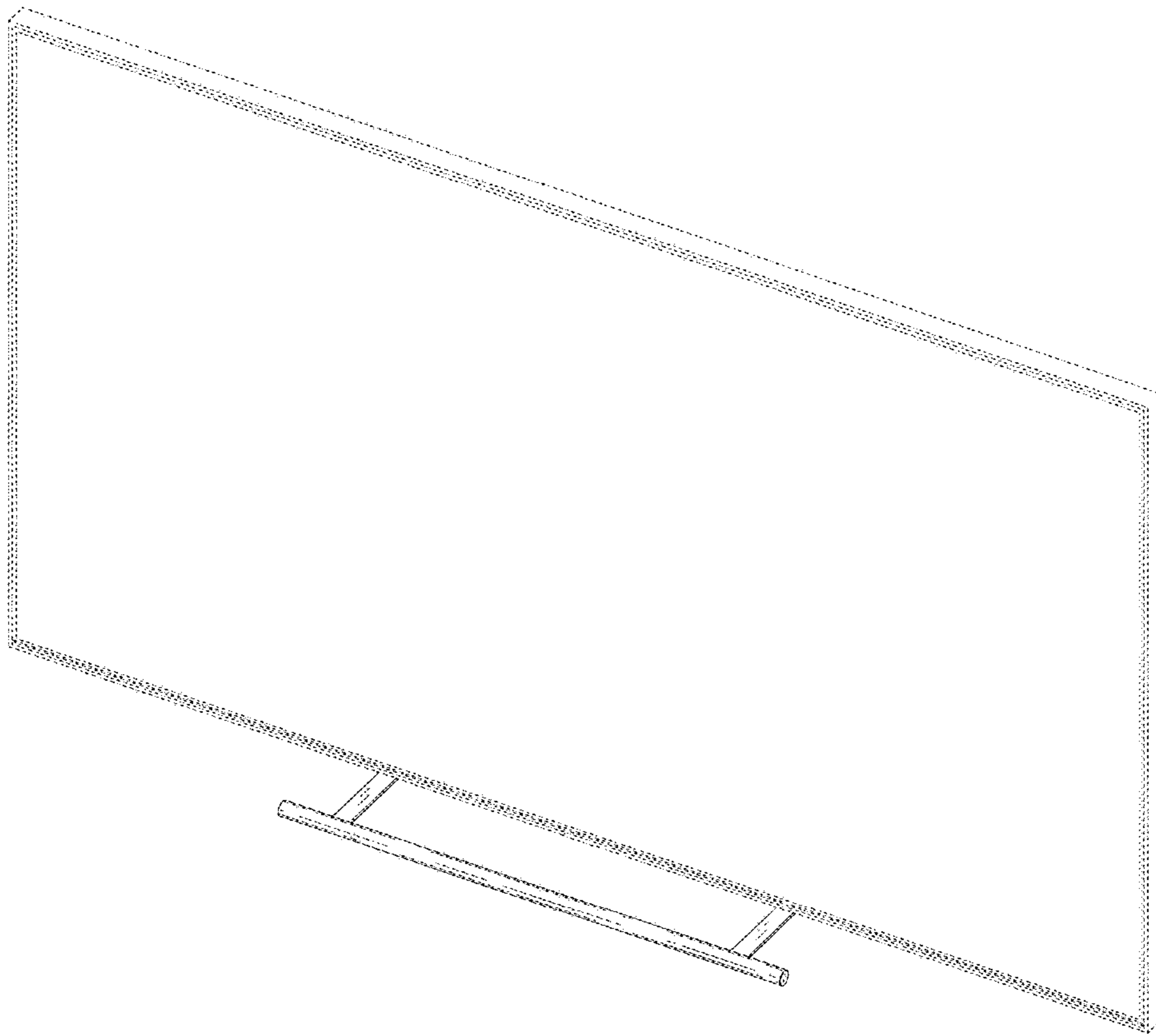


FIG. 2

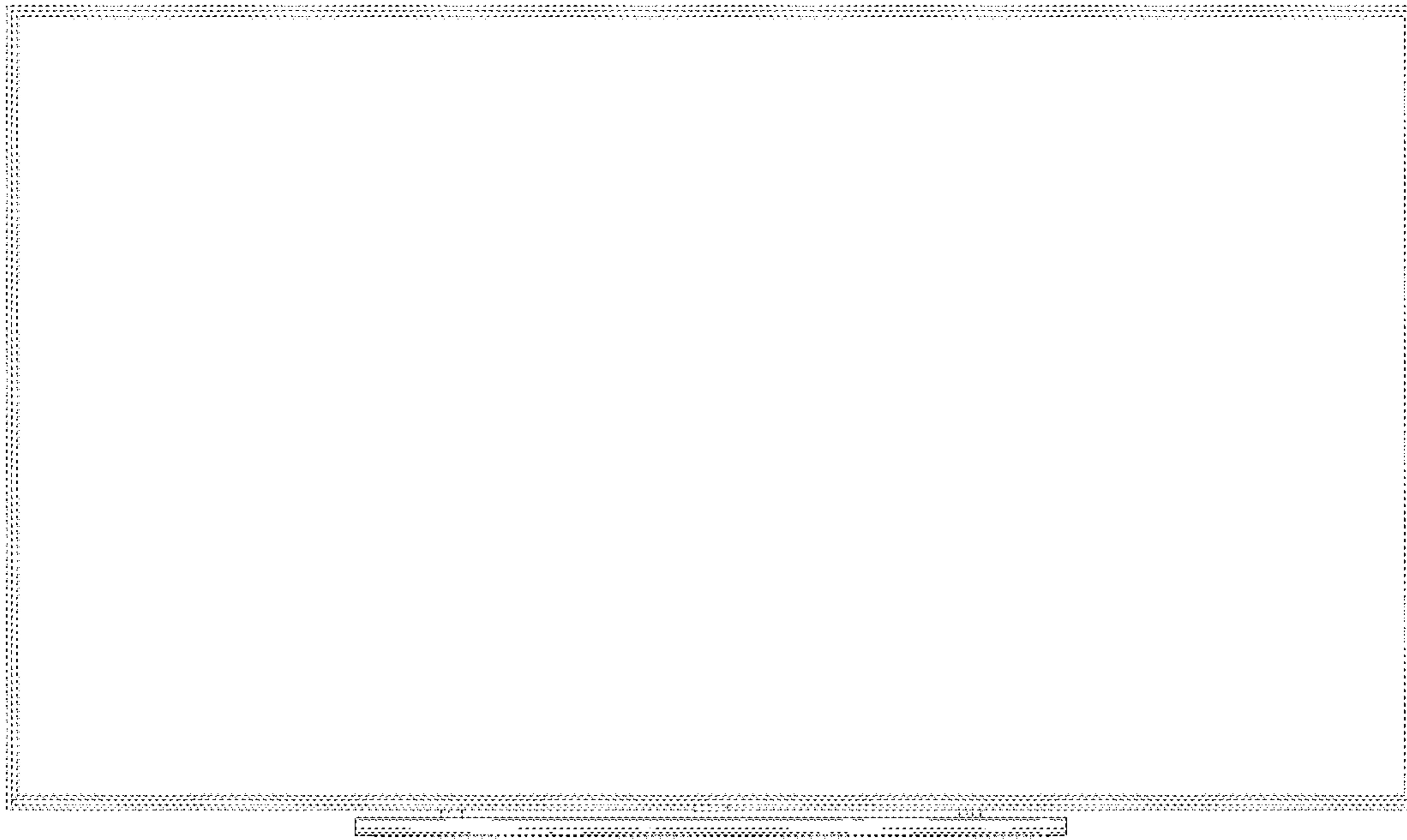


FIG. 3

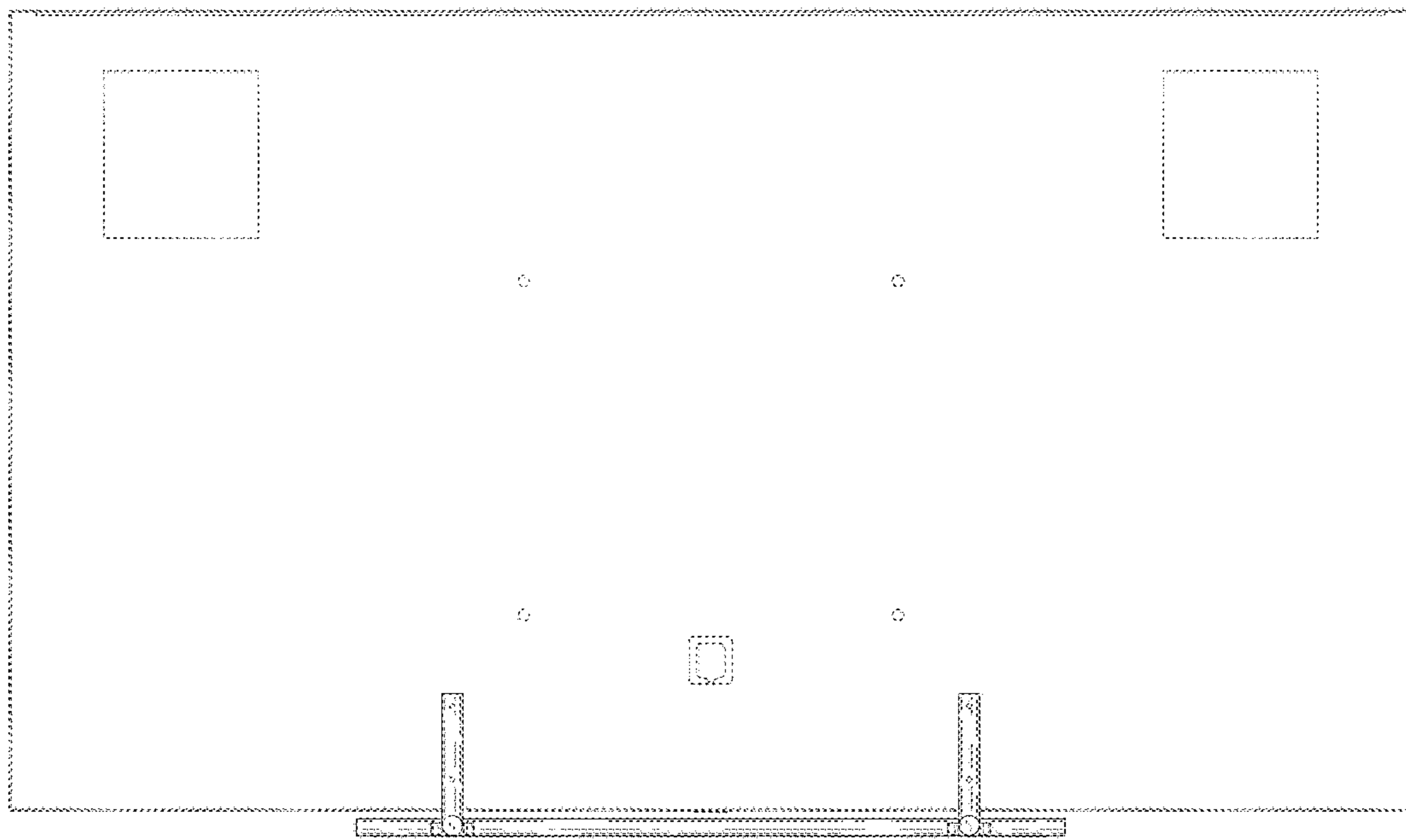


FIG. 4

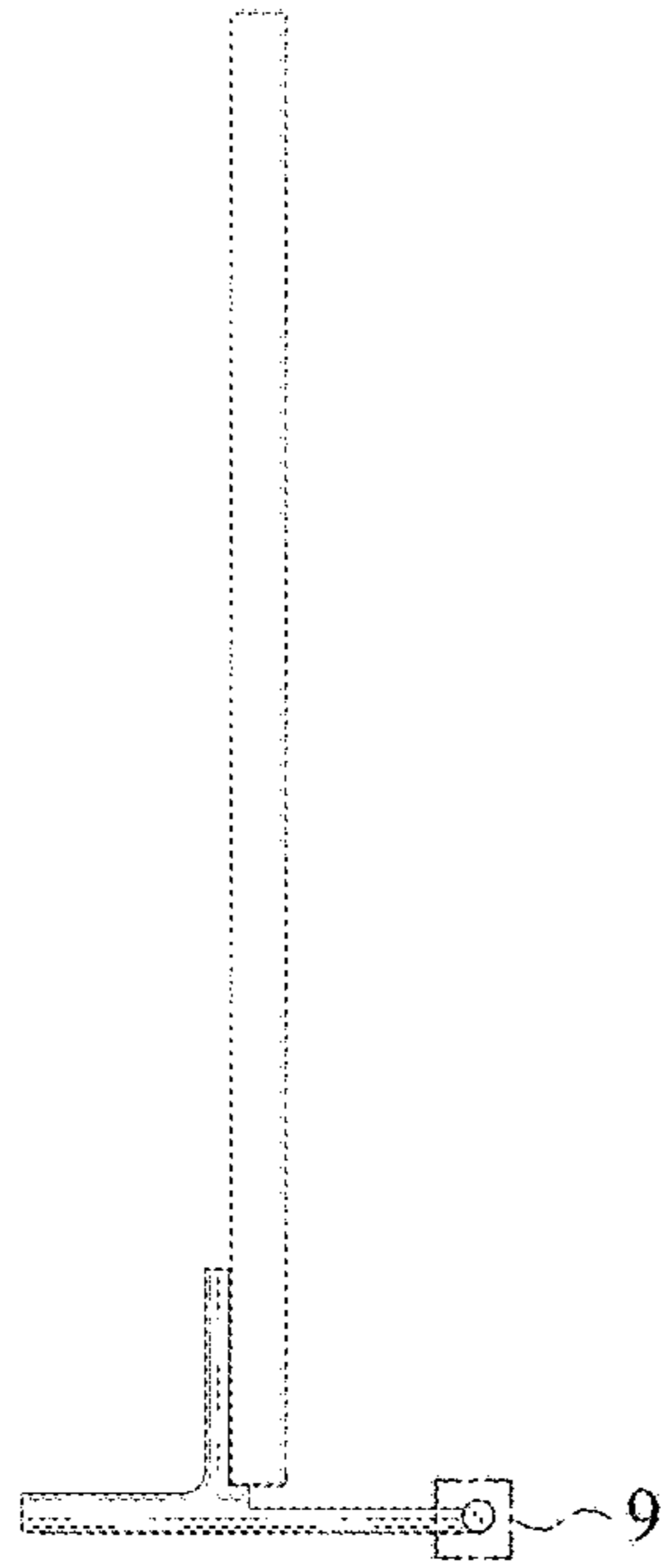


FIG. 5

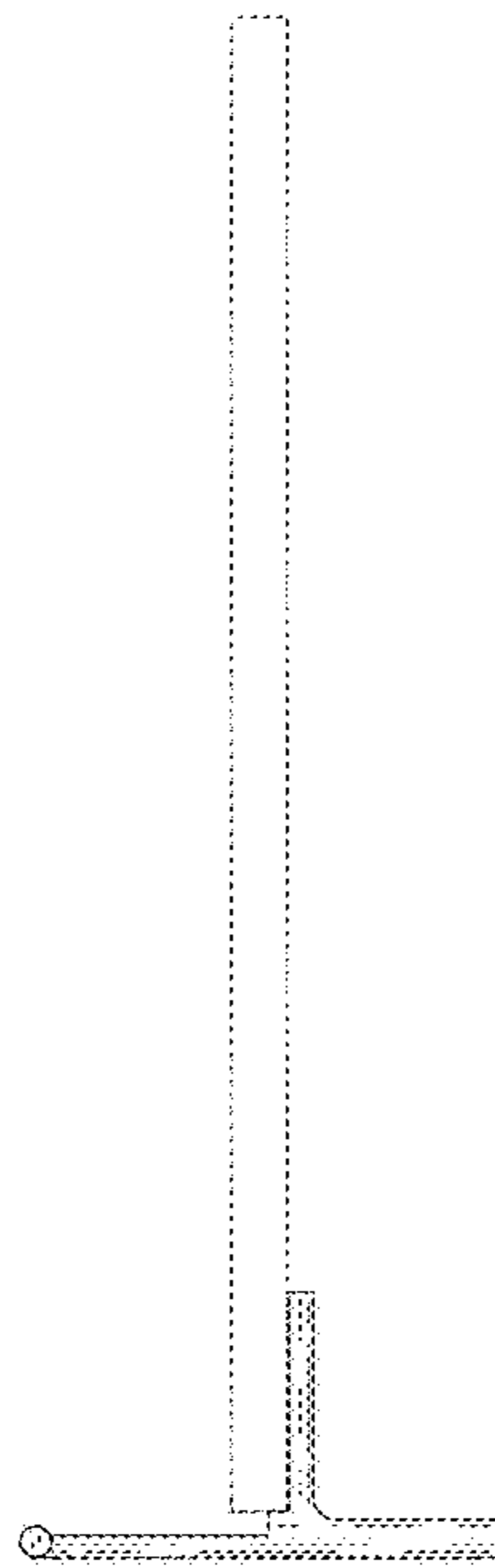


FIG. 6

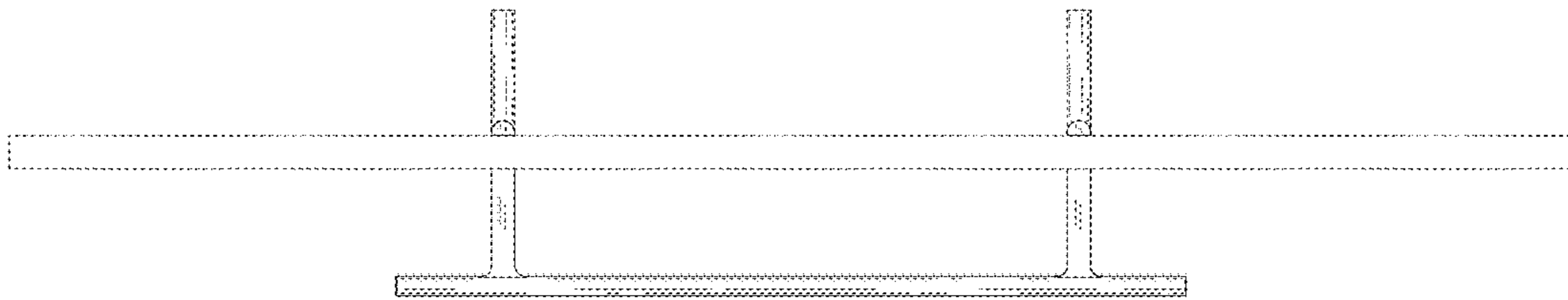


FIG. 7

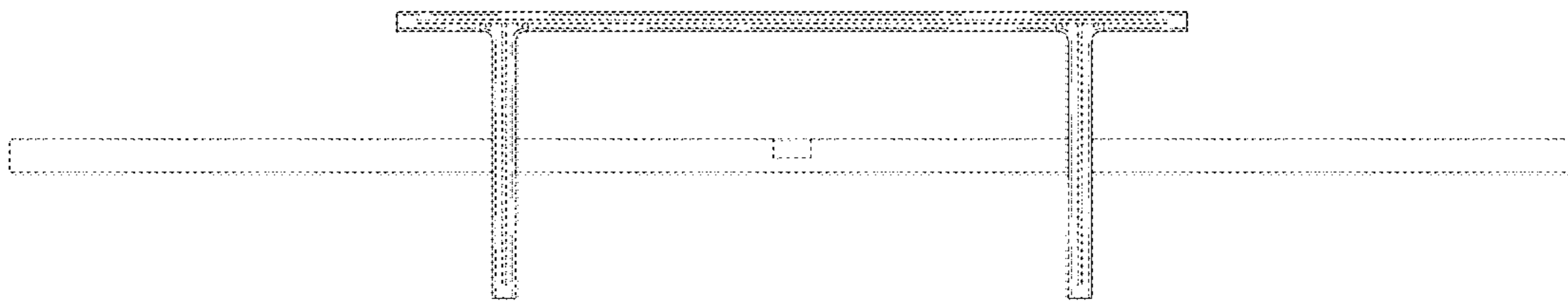


FIG. 8

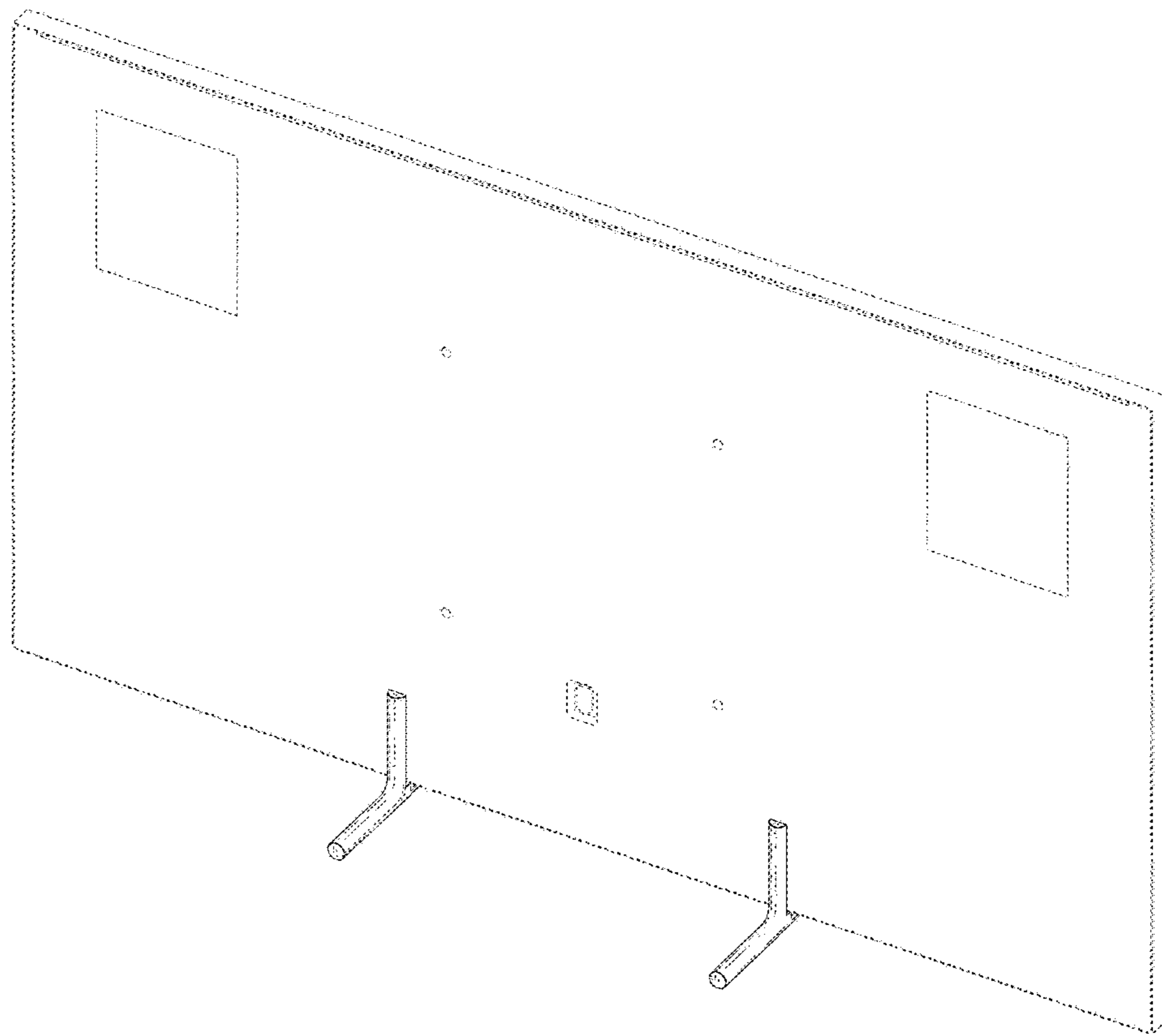


FIG. 9

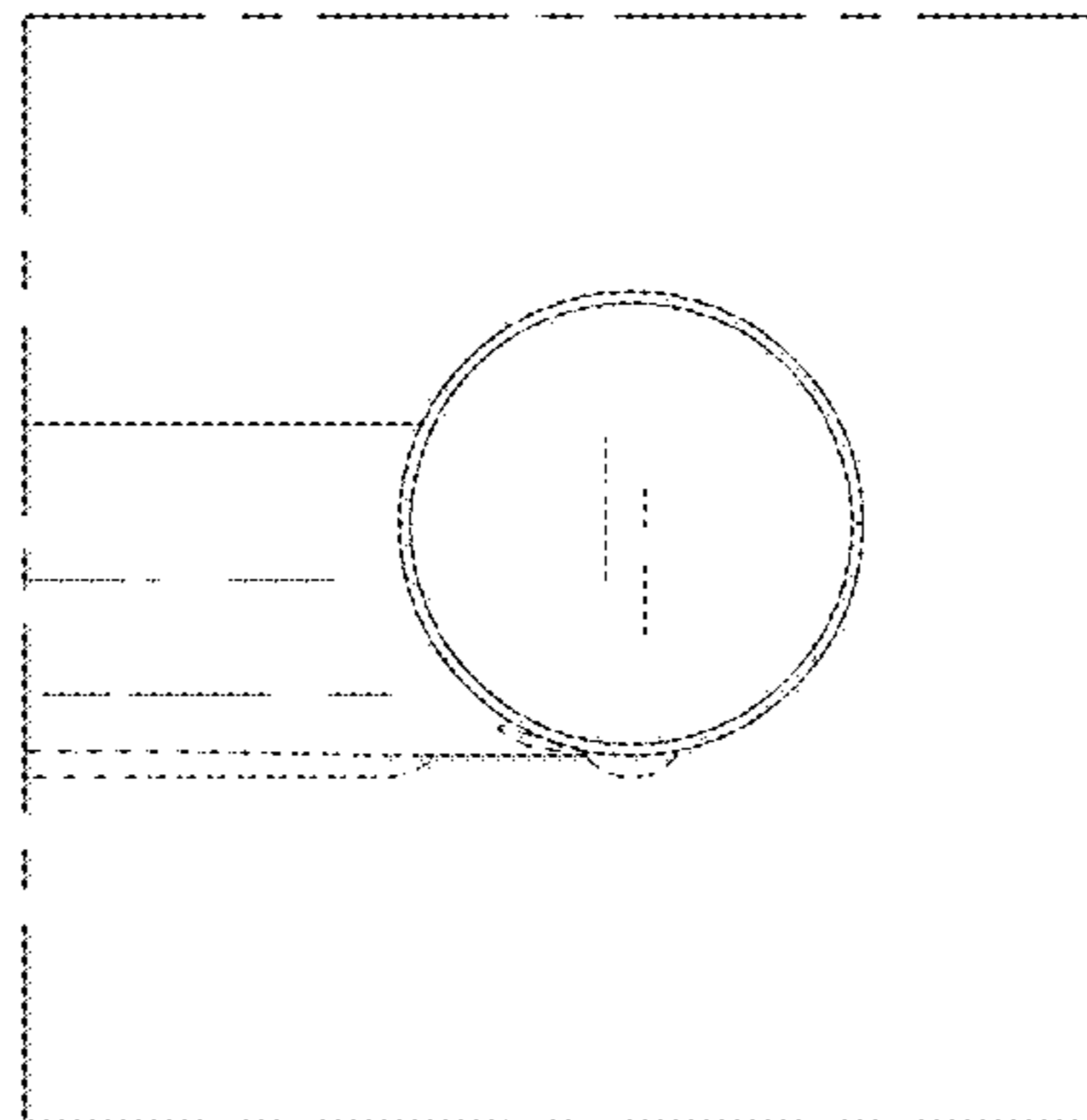


FIG. 10

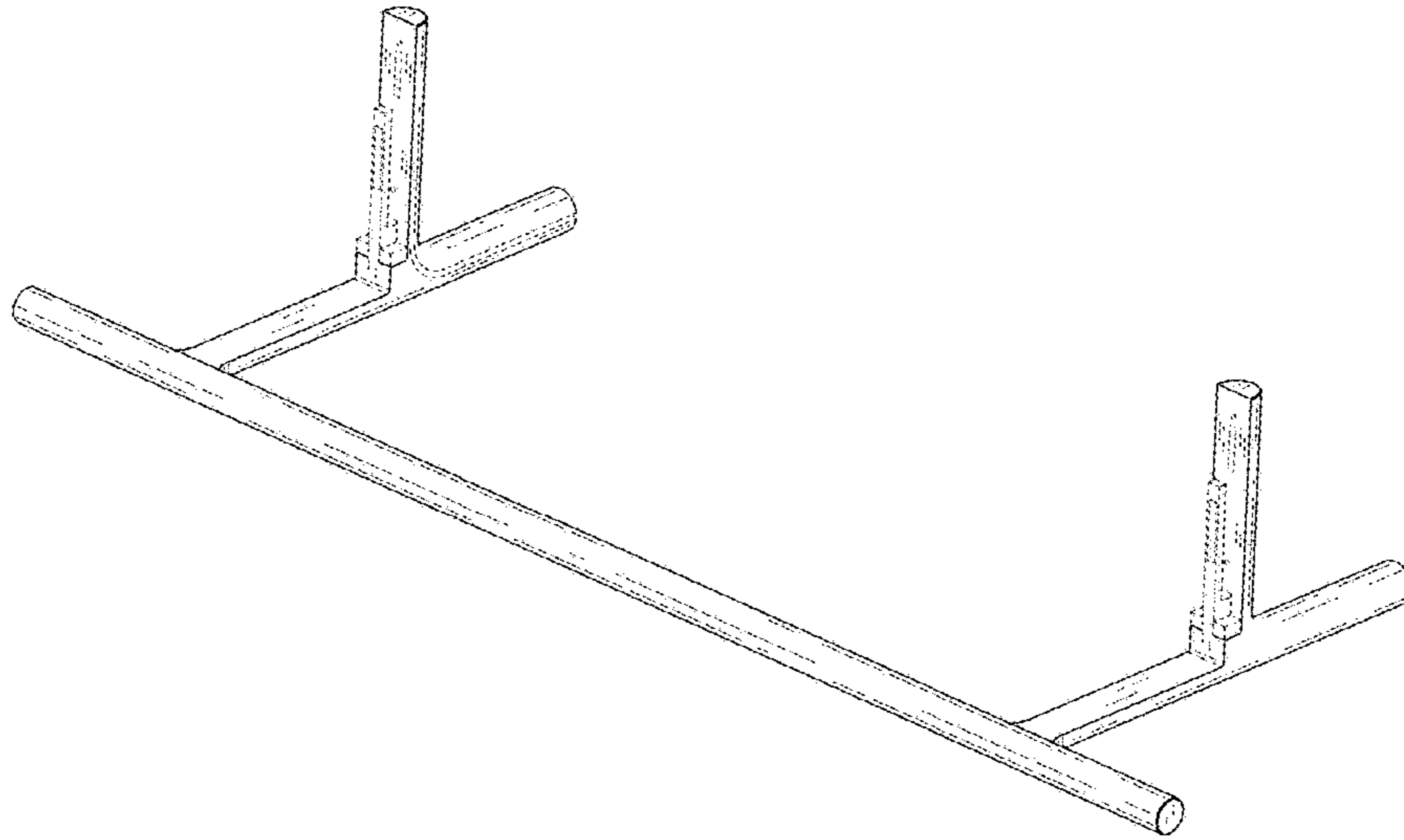


FIG. 11

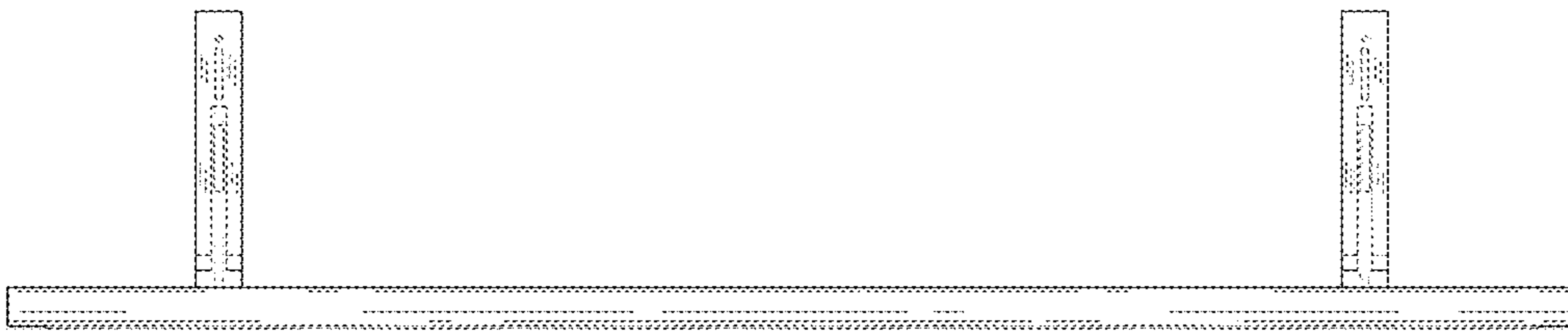


FIG. 12

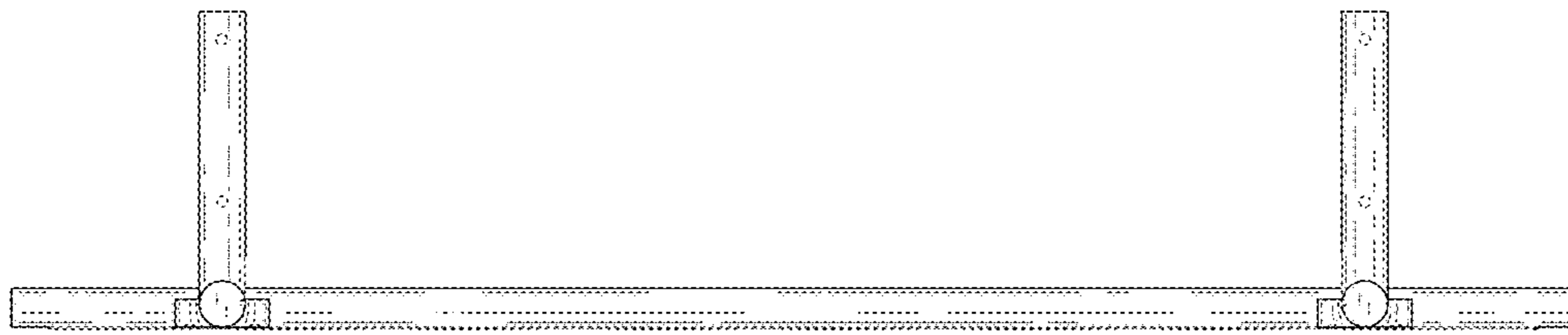


FIG. 13

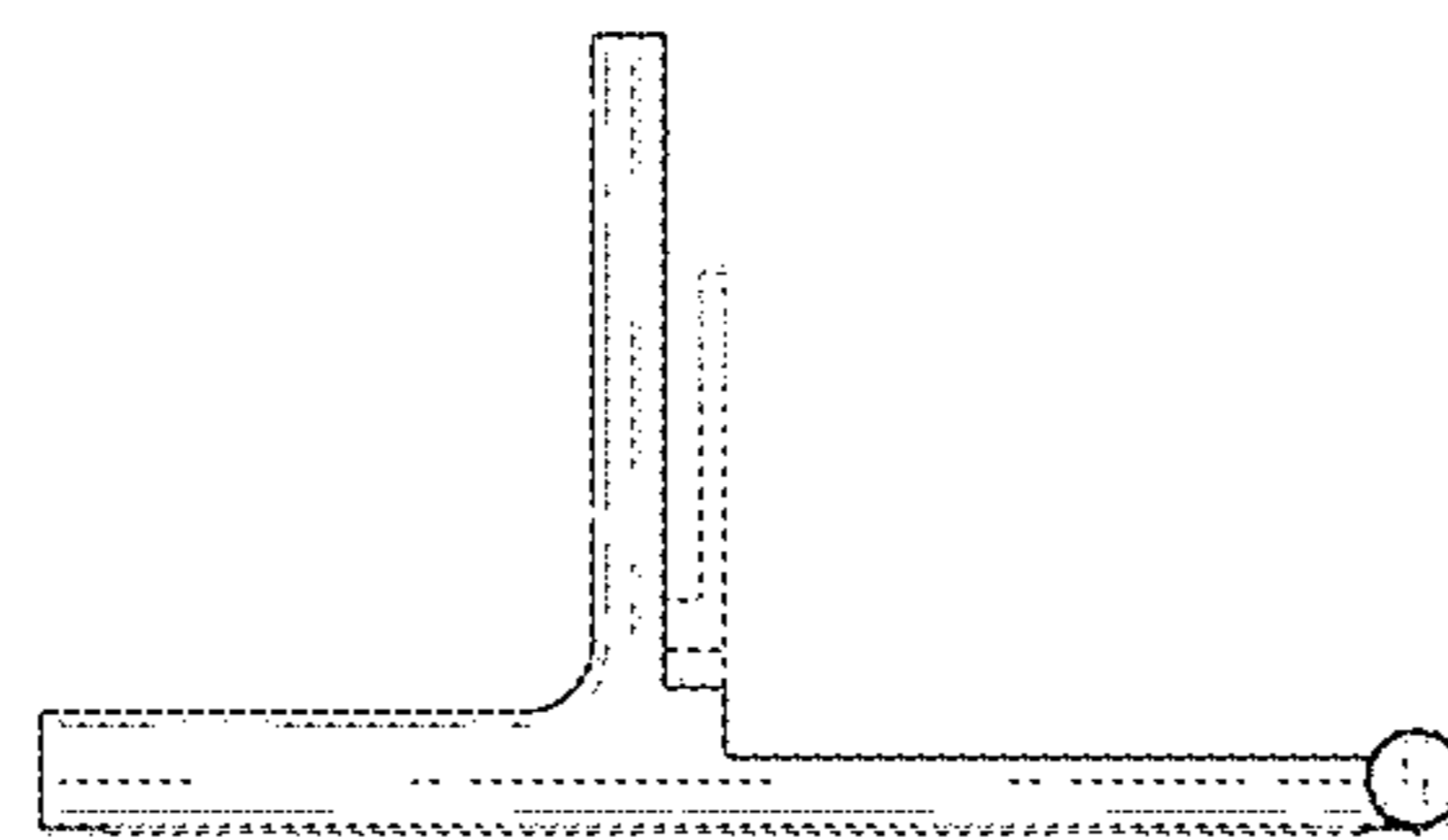


FIG. 14

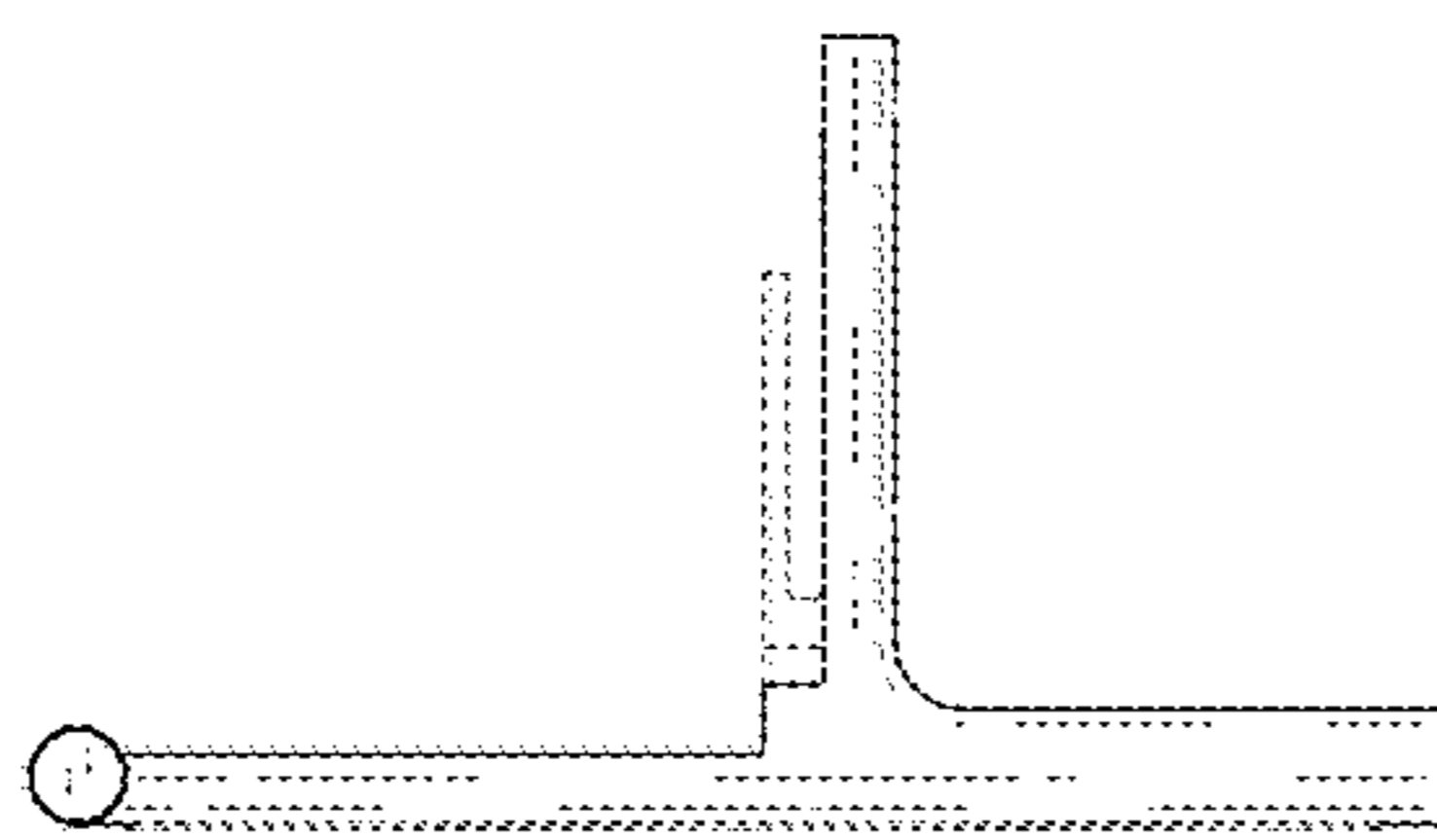


FIG. 15



FIG. 16



FIG. 17

