



US00D849727S

(12) **United States Design Patent**
van Til et al.

(10) **Patent No.:** **US D849,727 S**

(45) **Date of Patent:** **** May 28, 2019**

(54) **TELEVISION MOUNT**

CPC A47B 43/00; G03B 1/00
See application file for complete search history.

(71) Applicant: **Universal Electronics Inc.**, Santa Ana,
CA (US)

(56) **References Cited**

(72) Inventors: **Peter Martin van Til**, Enschede (NL);
Niek Fox, Hengelo (NL); **Luigi**
D’Andrea, Hengelo (NL)

U.S. PATENT DOCUMENTS

(73) Assignee: **Universal Electronics Inc.**, Santa Ana,
CA (US)

D631,876 S * 2/2011 Molter D14/239
D643,421 S * 8/2011 Russell D14/239
D650,373 S * 12/2011 Stemple D14/239

(**) Term: **15 Years**

* cited by examiner

(21) Appl. No.: **29/635,848**

Primary Examiner — Randall H Gholson

(22) Filed: **Feb. 2, 2018**

(74) *Attorney, Agent, or Firm* — Greenberg Traurig, LLP

(51) **LOC (11) Cl.** **14-03**

(57) **CLAIM**

(52) **U.S. Cl.**

The ornamental design for a television mount, as shown and described.

USPC **D14/239**

DESCRIPTION

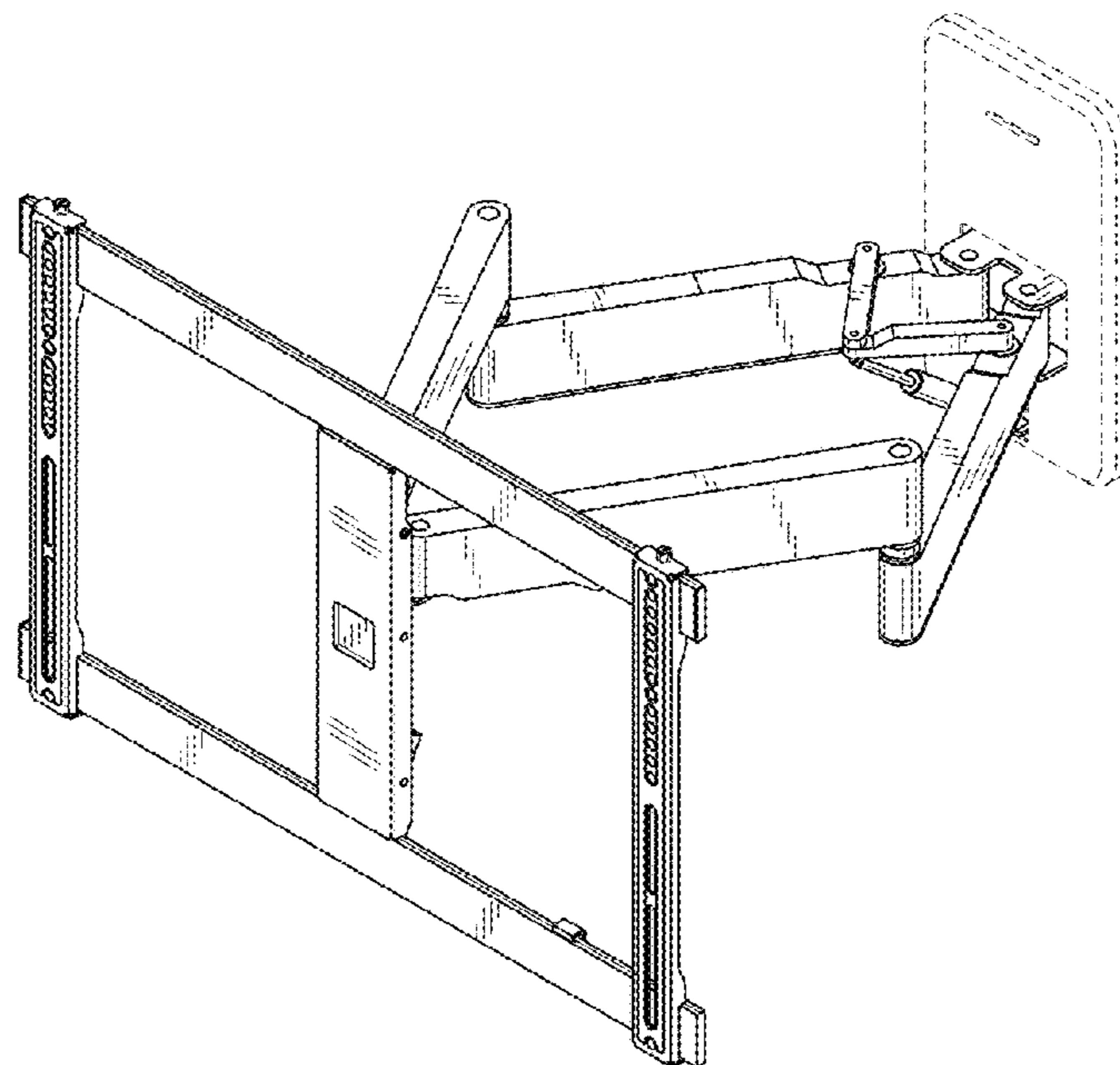
(58) **Field of Classification Search**

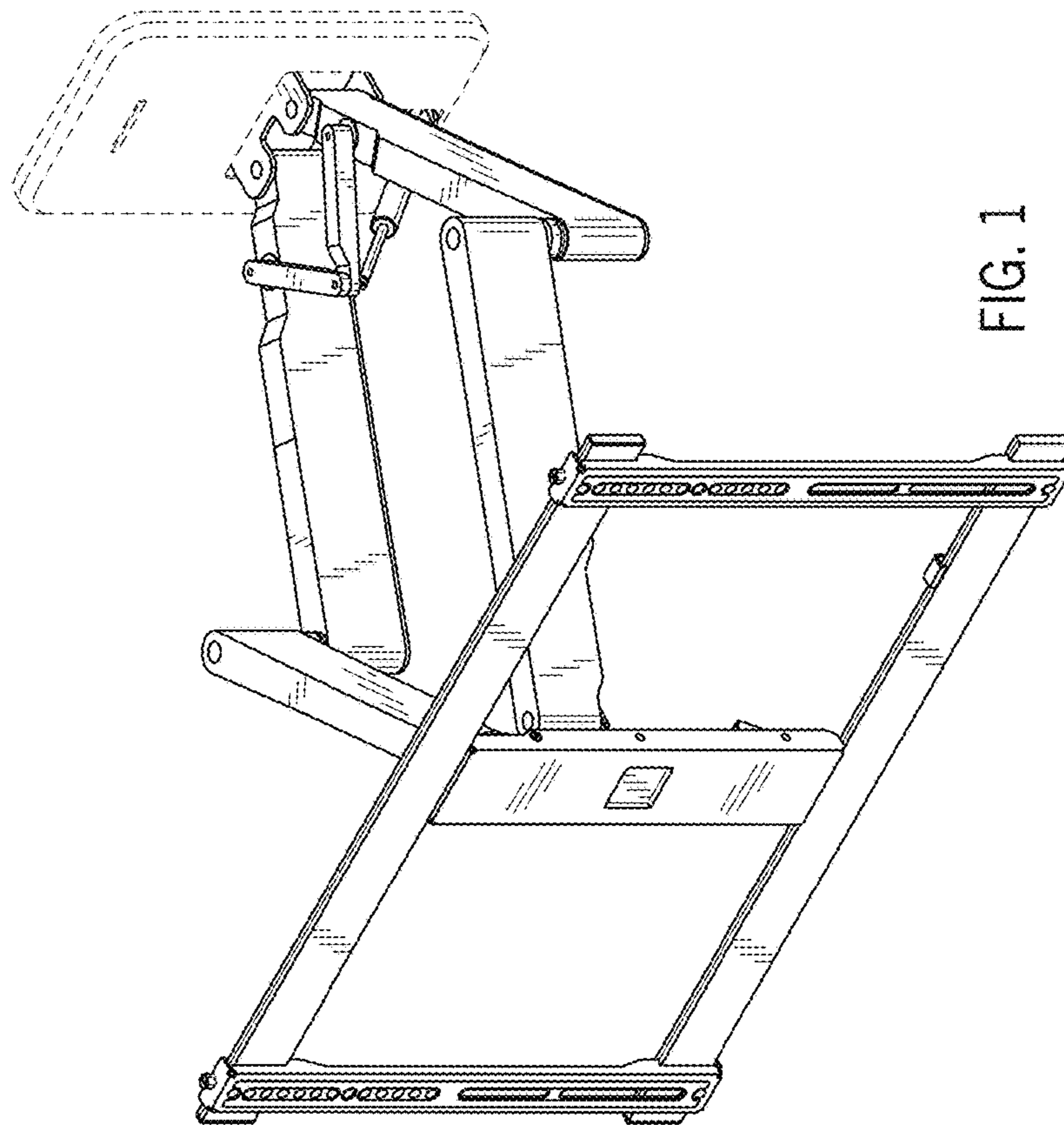
USPC D14/239, 371, 136, 374–377; D8/363,
D8/373, 349, 394; 248/465, 917–924,
248/123.11; 348/825, 827, 836, 837, 838,
348/180, 184, 325, 739; 600/443;
D6/477–479, 407, 474, 460, 461, 468;
312/7.2; 341/12; 345/87, 104, 133, 156,
345/168, 169, 173; 720/605, 669, 600,
720/655; 369/99, 197; 455/344–347;
349/1, 2, 11, 62; 108/59, 91, 92, 96;
211/40, 41.12, 42, 49.1, 50, 85.2, 90.04,
211/187, 190, 119.003, 134.153, 87.01,
211/71.01

FIG. 1 is a top, front perspective view of a television mount showing our new design;
FIG. 2 is a front side elevational view thereof;
FIG. 3 is a top plan view thereof;
FIG. 4 is a right side elevational view thereof;
FIG. 5 is a left side elevational view thereof;
FIG. 6 is a rear side elevational view thereof;
FIG. 7 is a bottom plan view thereof; and,
FIG. 8 is a bottom, rear perspective view thereof.

The broken lines in the drawings illustrate portions of the television mount that form no part of the claimed design.

1 Claim, 7 Drawing Sheets





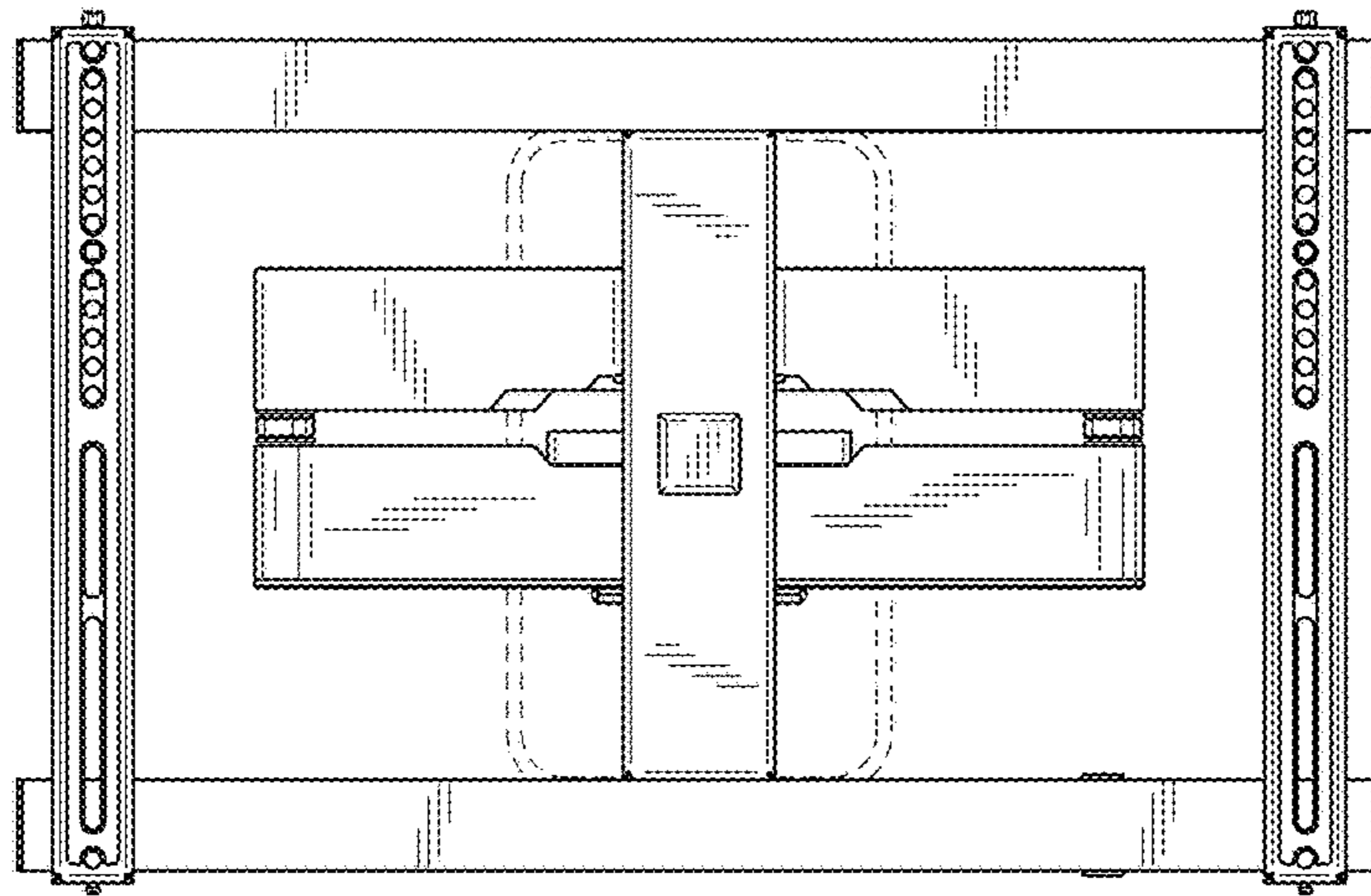


FIG. 2

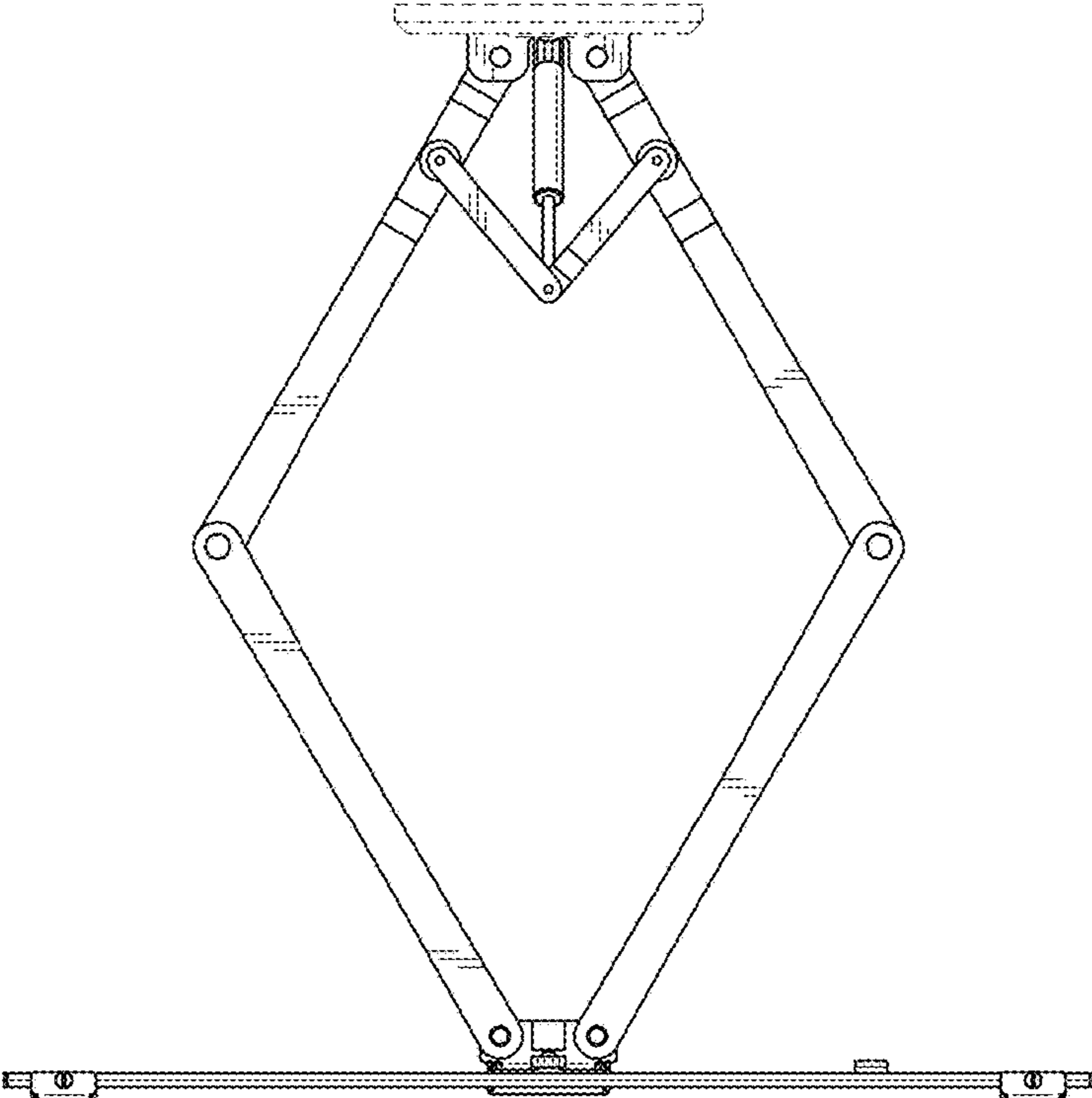


FIG. 3

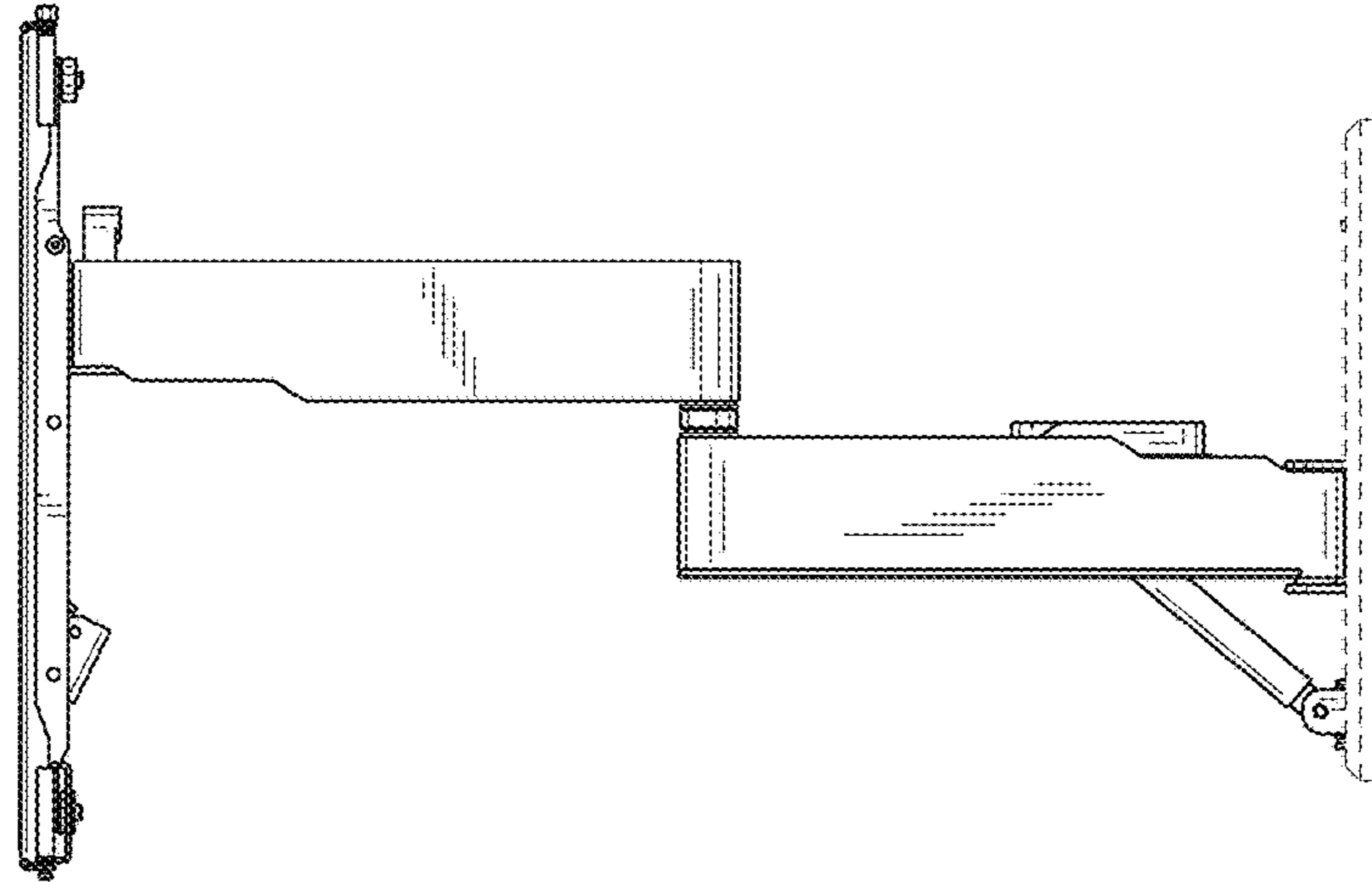


FIG. 4

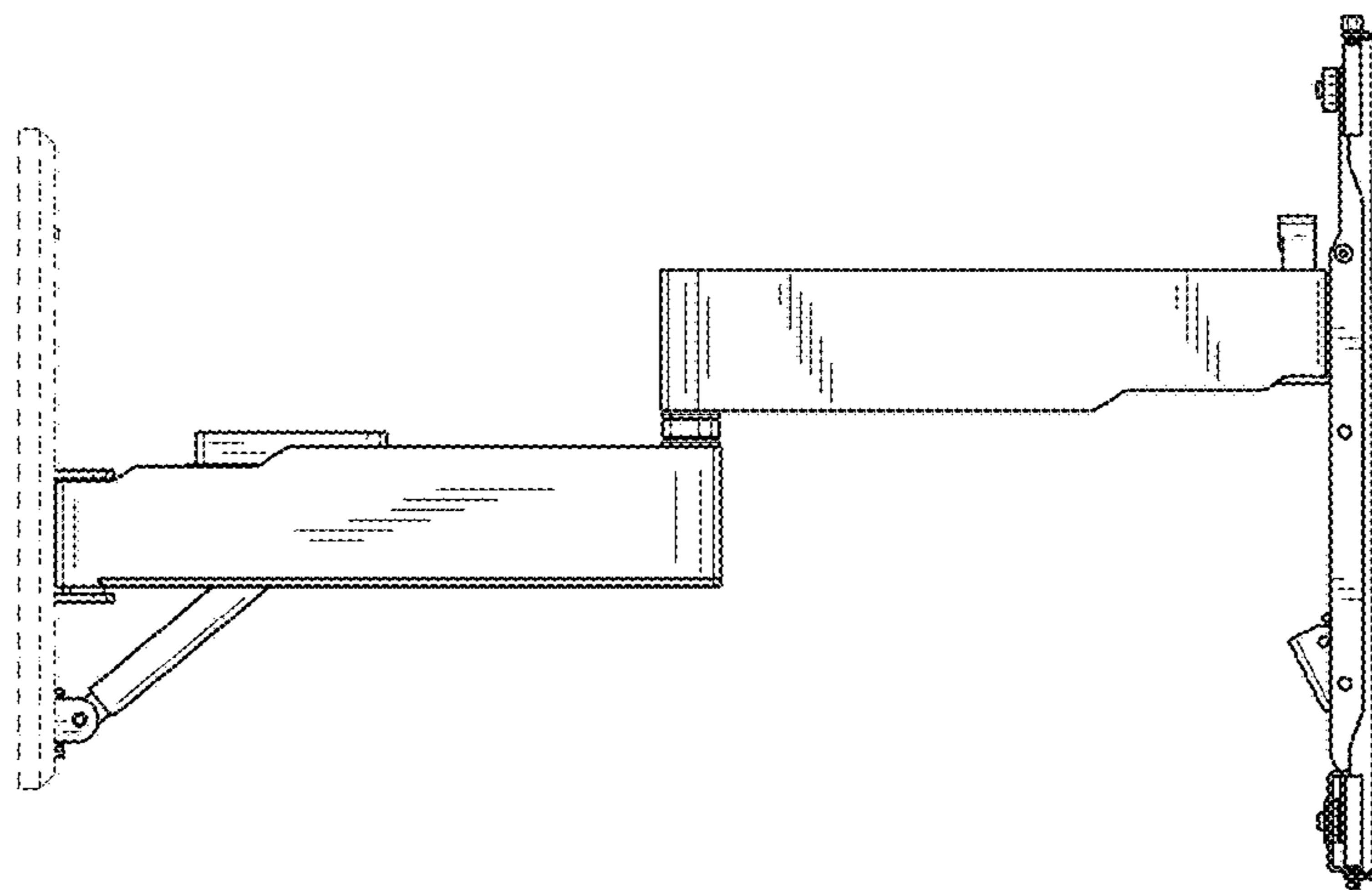


FIG. 5

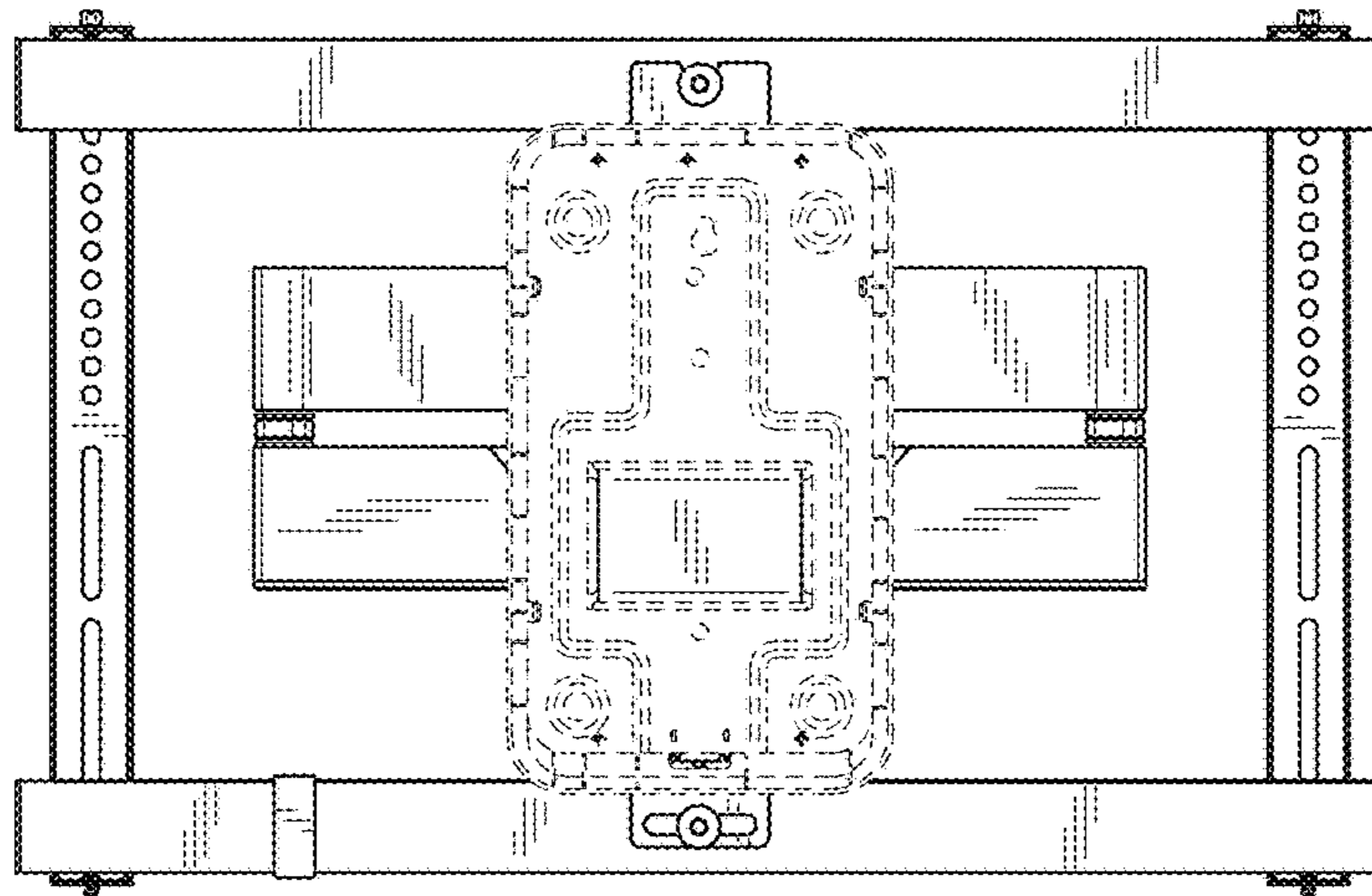


FIG. 6

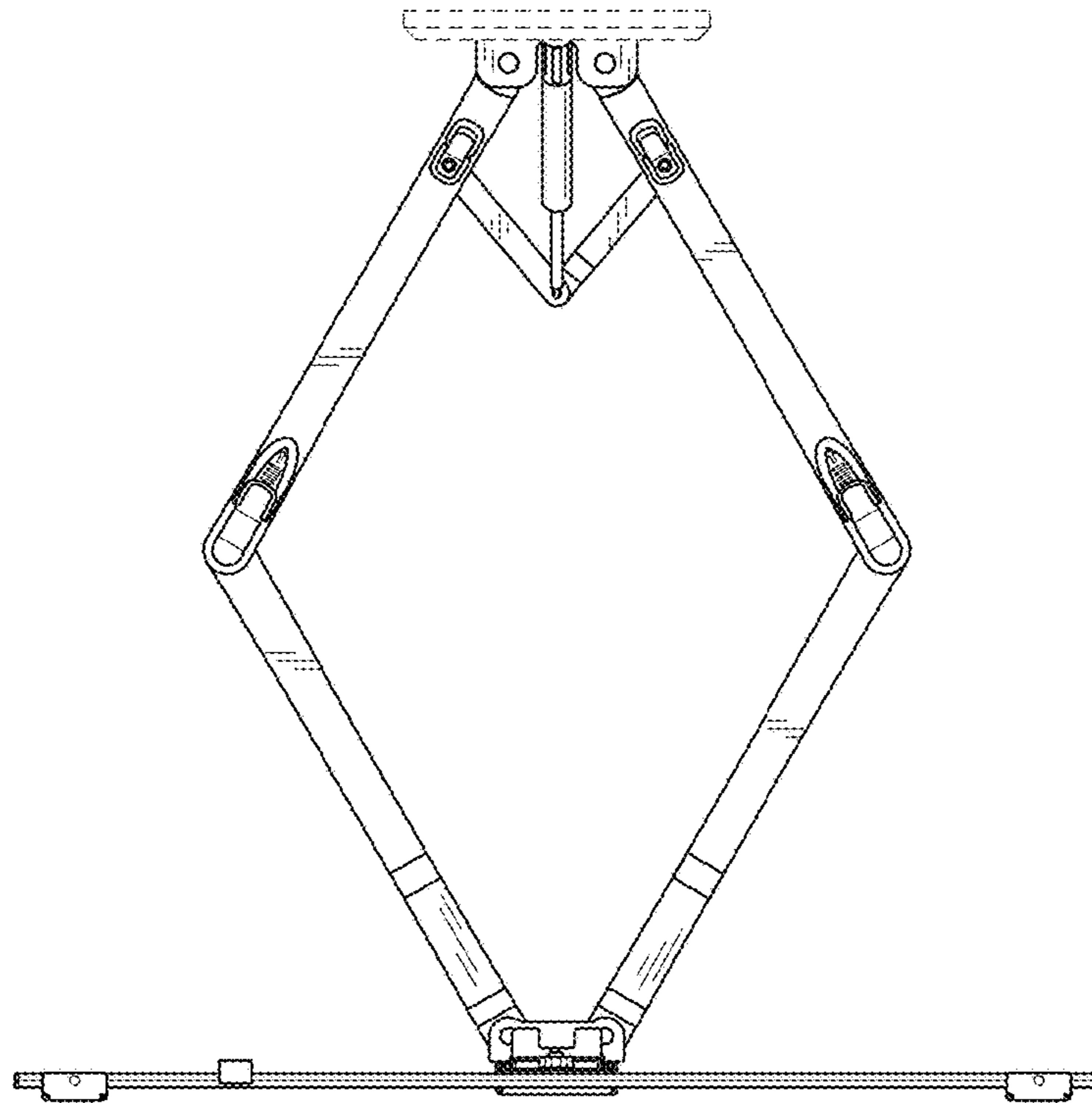


FIG. 7

