



US00D849726S

(12) **United States Design Patent** (10) **Patent No.:** **US D849,726 S**
Cai et al. (45) **Date of Patent:** **** May 28, 2019**

(54) **MODULAR VIDEO SUPPORT FRAME MEMBER**

(71) Applicant: **ROE Visual Co., Ltd.**, Shenzhen, Guangdong (CN)

(72) Inventors: **Danhu Cai**, Guangdong (CN); **Zhanqiang Li**, Guangdong (CN); **Jun Li**, Guangdong (CN); **Xuhua Jiang**, Guangdong (CN)

(73) Assignee: **ROE Visual Co., Ltd.**, Shenzhen (CN)

(**) Term: **15 Years**

(21) Appl. No.: **29/589,329**

(22) Filed: **Dec. 30, 2016**

(30) **Foreign Application Priority Data**

Jul. 5, 2016 (CN) 2016 3 0303385

(51) **LOC (11) Cl.** **14-03**

(52) **U.S. Cl.**
USPC **D14/239; D16/242**

(58) **Field of Classification Search**
USPC D14/125-134, 239, 371, 136, 374-377;
D16/242, 245, 250
See application file for complete search history.

(56) **References Cited**

U.S. PATENT DOCUMENTS

6,647,652 B1 * 11/2003 Seiber G09F 7/18
40/606.1
D736,750 S * 8/2015 Hochman D14/239
D742,366 S * 11/2015 Hochman D14/239

(Continued)

Primary Examiner — Garth Rademaker
Assistant Examiner — Melvin L Davis

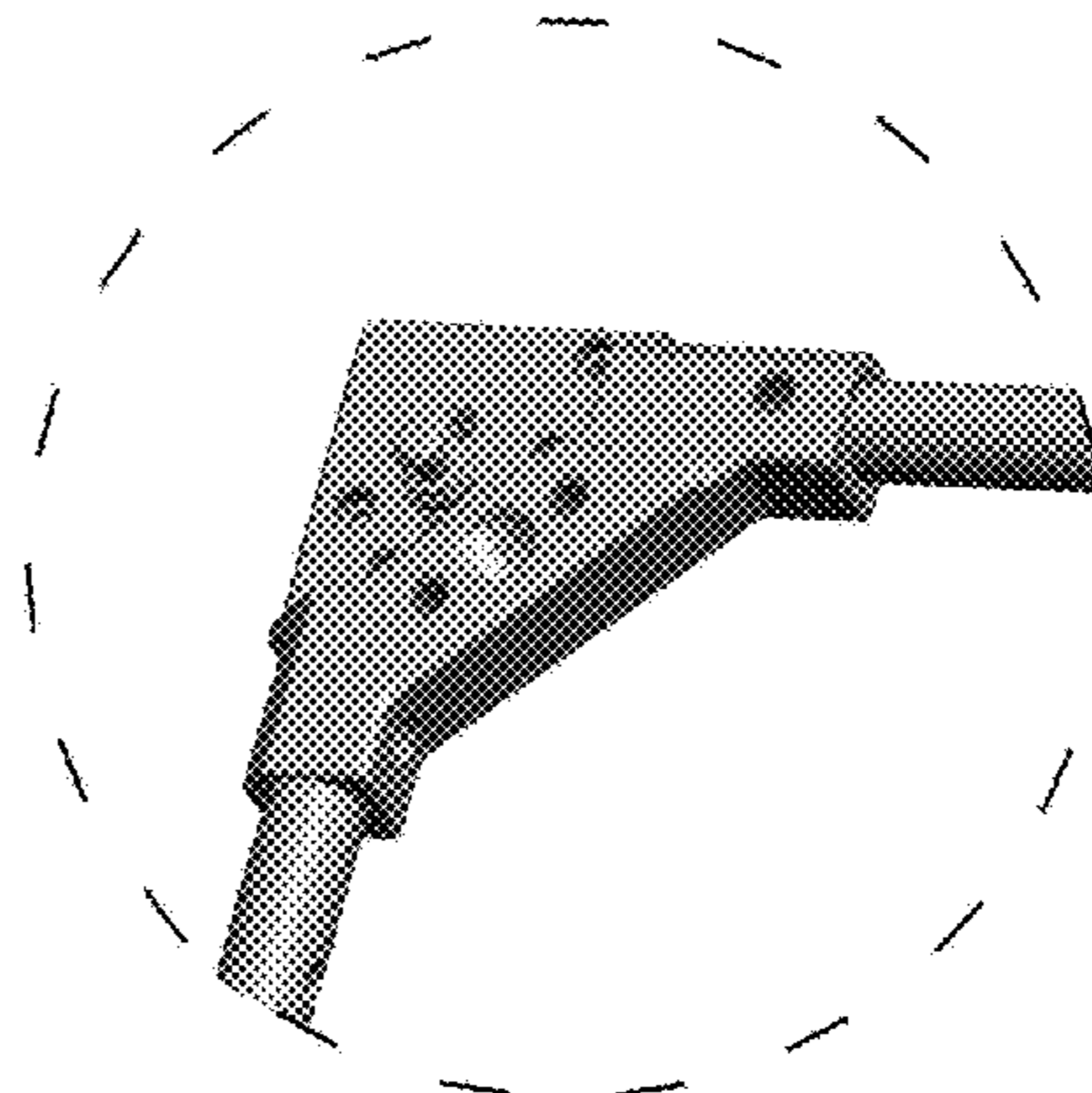
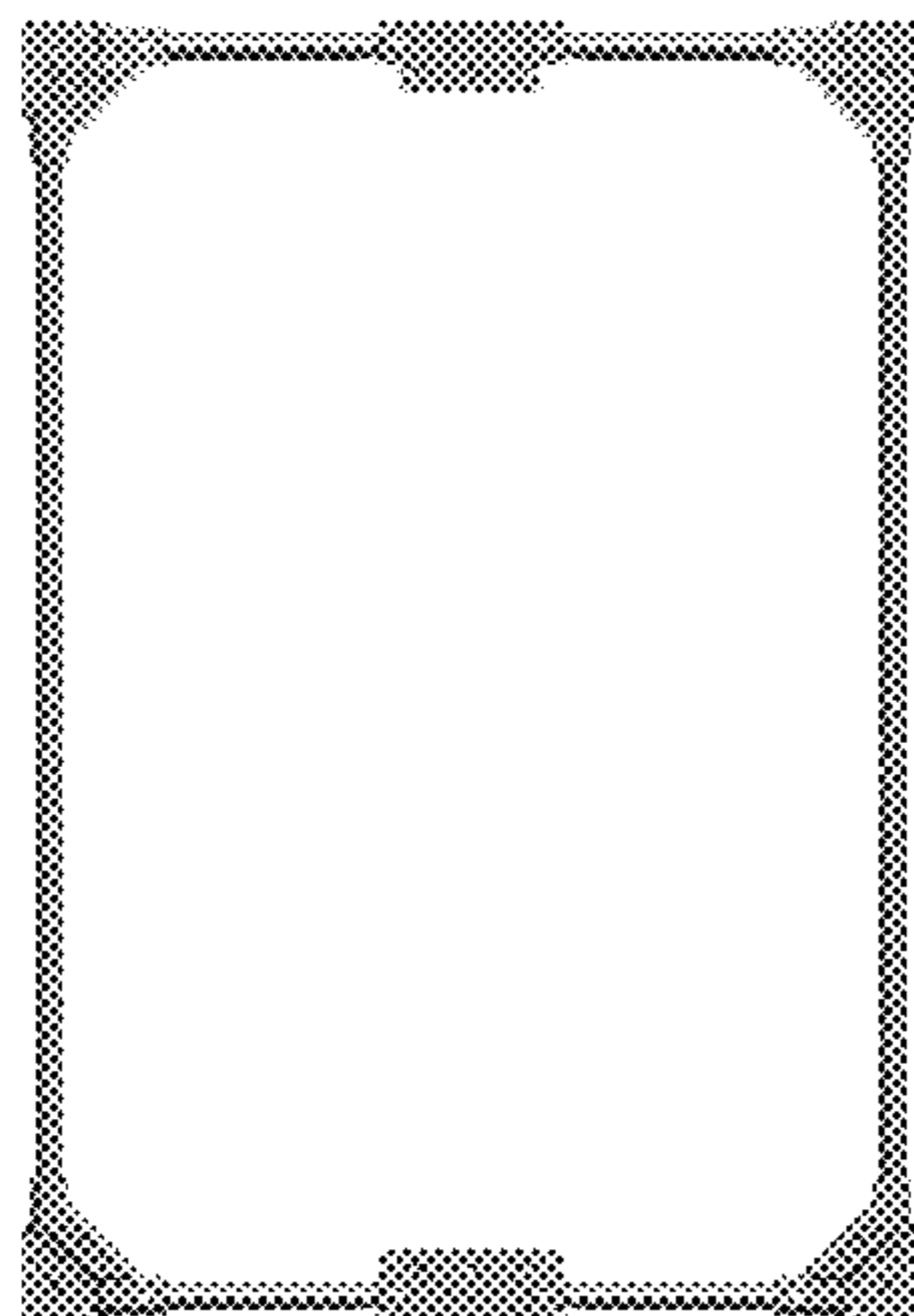
(57) **CLAIM**

The ornamental design for a modular video support frame member, as shown and described.

DESCRIPTION

FIG. 1 is a front elevational view of a modular video support frame member showing our new design;
FIG. 2 is a rear elevational view of FIG. 1;
FIG. 3 is a left side view of FIG. 1;
FIG. 4 is a right side view of FIG. 1;
FIG. 5 is a top plan view of FIG. 1;
FIG. 6 is a bottom plan view of FIG. 1;
FIG. 7 is a first perspective view of FIG. 1;
FIG. 8 is an enlarged view of portion 8 of FIG. 7;
FIG. 9 is an enlarged view of portion 9 of FIG. 7;
FIG. 10 is an enlarged view of portion 10 of FIG. 7;
FIG. 11 is a second perspective view of FIG. 1;
FIG. 12 is an enlarged view of portion 12 of FIG. 11;
FIG. 13 is an enlarged view of portion 13 of FIG. 11;
FIG. 14 is an enlarged view of portion 14 of FIG. 11;
FIG. 15 is a third perspective view of FIG. 1;
FIG. 16 is an enlarged view of portion 16 of FIG. 15;
FIG. 17 is an enlarged view of portion 17 of FIG. 15;
FIG. 18 is a fourth perspective view of FIG. 1;
FIG. 19 is an enlarged view of portion 19 of FIG. 18;
FIG. 20 is an enlarged view of portion 20 of FIG. 18;
FIG. 21 is an enlarged view of portion 21 of FIG. 18;
FIG. 22 is an enlarged view of portion 22 of FIG. 18;
FIG. 23 is a fifth perspective view of FIG. 1;
FIG. 24 is an enlarged view of portion 24 of FIG. 23;
FIG. 25 is an enlarged view of portion 25 of FIG. 23;
FIG. 26 is an enlarged view of portion 26 of FIG. 23;
FIG. 27 is an enlarged view of portion 27 of FIG. 23;
FIG. 28 is a sixth perspective view of FIG. 1;
FIG. 29 is an enlarged view of portion 29 of FIG. 28;
FIG. 30 is an enlarged view of portion 30 of FIG. 28;
FIG. 31 is an enlarged view of portion 31 of FIG. 28; and,
FIG. 32 is an enlarged view of portion 32 of FIG. 28.

1 Claim, 32 Drawing Sheets



(56)

References Cited

U.S. PATENT DOCUMENTS

D751,536 S	*	3/2016	Hochman	D14/239
D752,028 S	*	3/2016	Hochman	D14/239
D770,429 S	*	11/2016	Hochman	D14/239
D772,851 S	*	11/2016	Hochman	D14/239
D778,885 S	*	2/2017	Hochman	D14/239
D805,061 S	*	12/2017	Cai	D14/239
D821,497 S	*	6/2018	Cai	D20/42

* cited by examiner

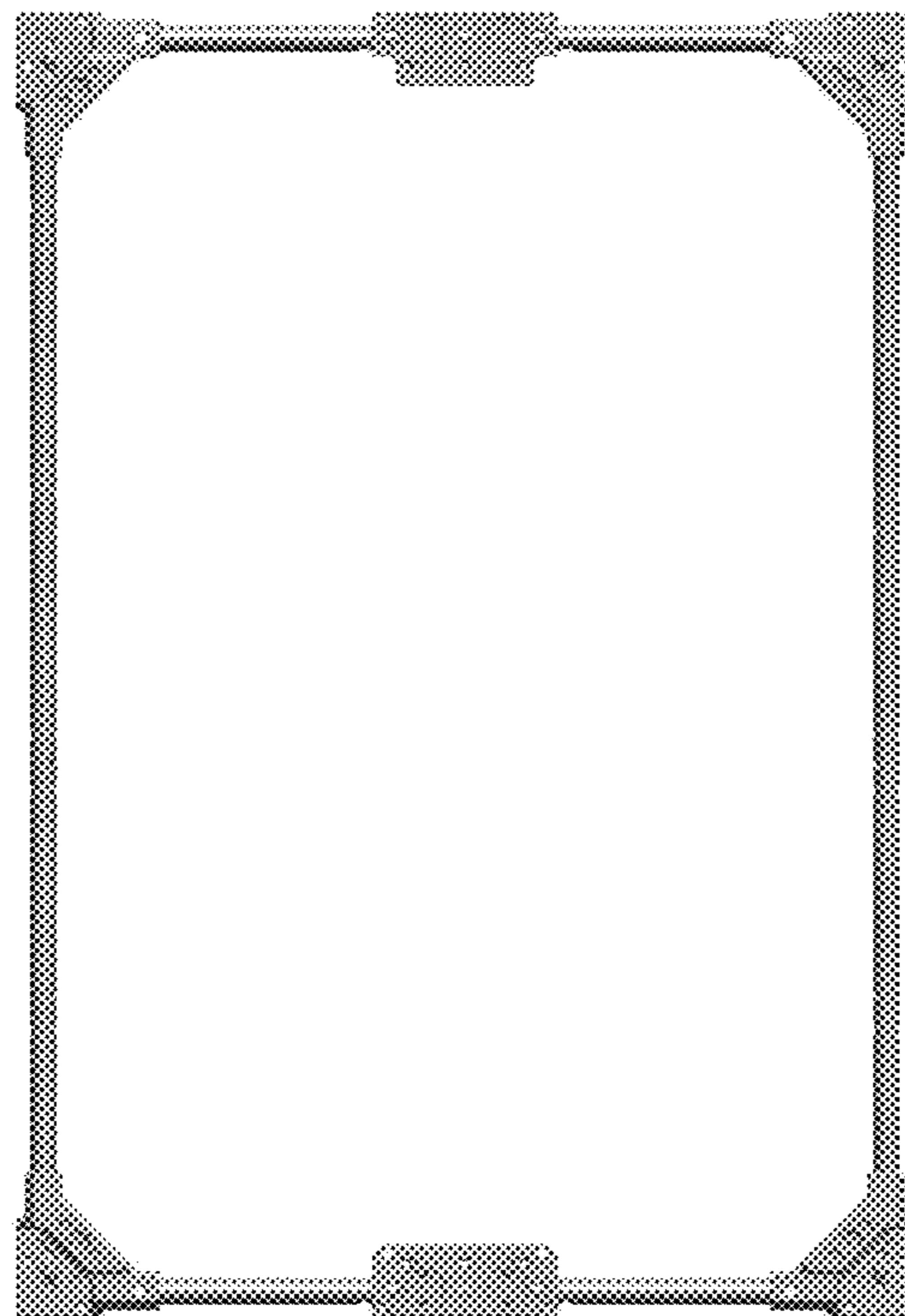


Fig. 1

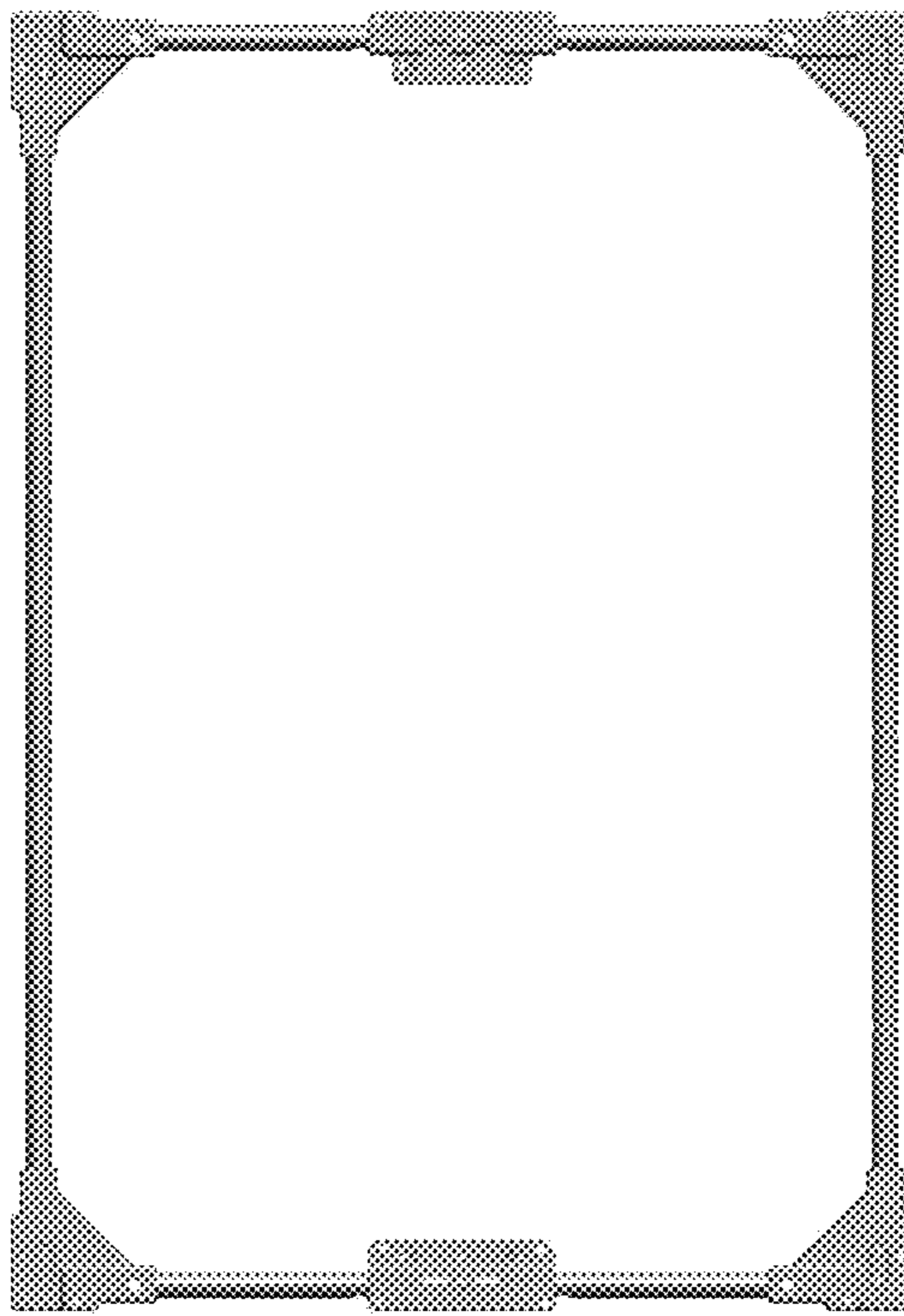


Fig. 2



Fig. 3



Fig. 4



Fig. 5



Fig. 6

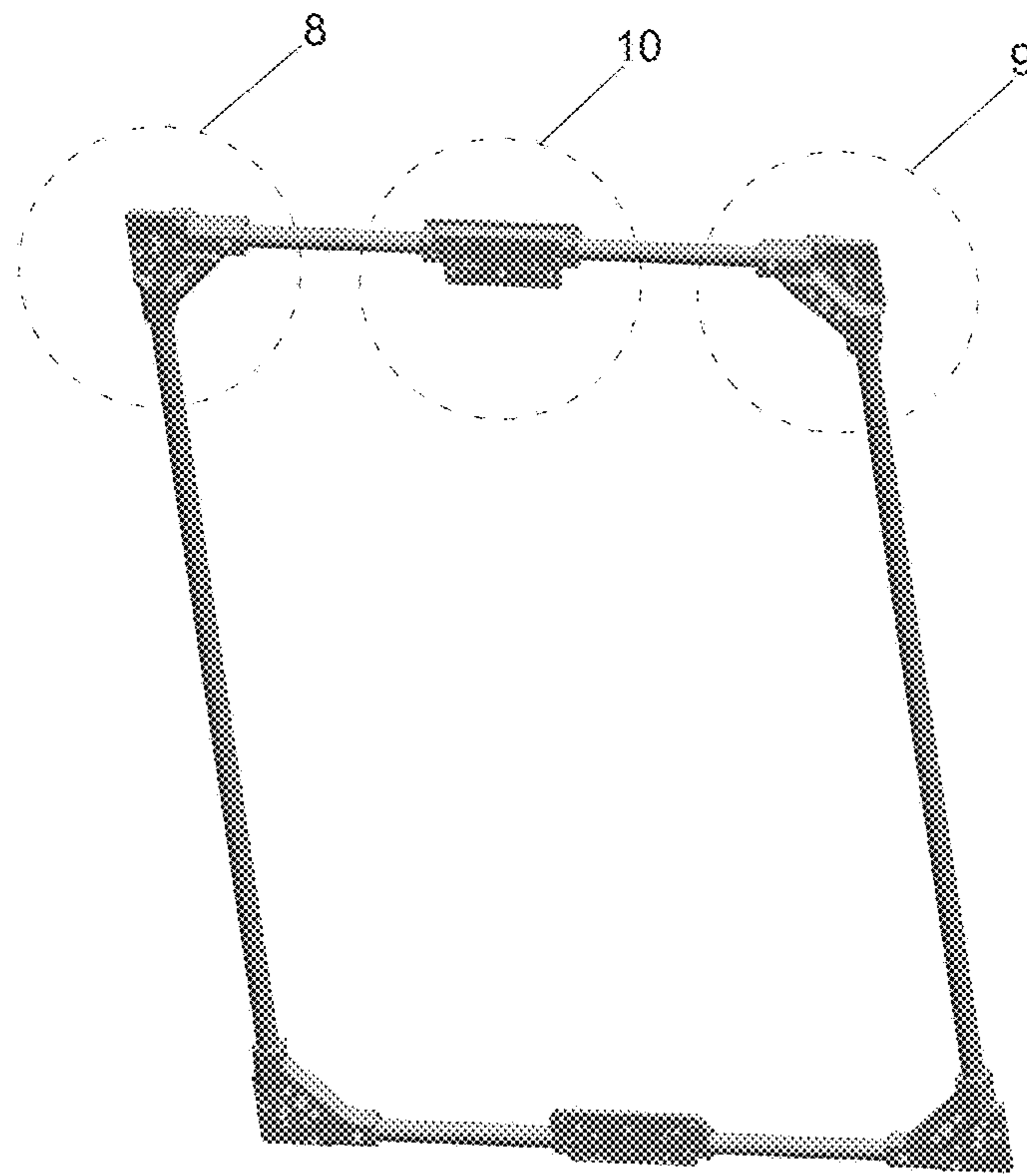


Fig. 7

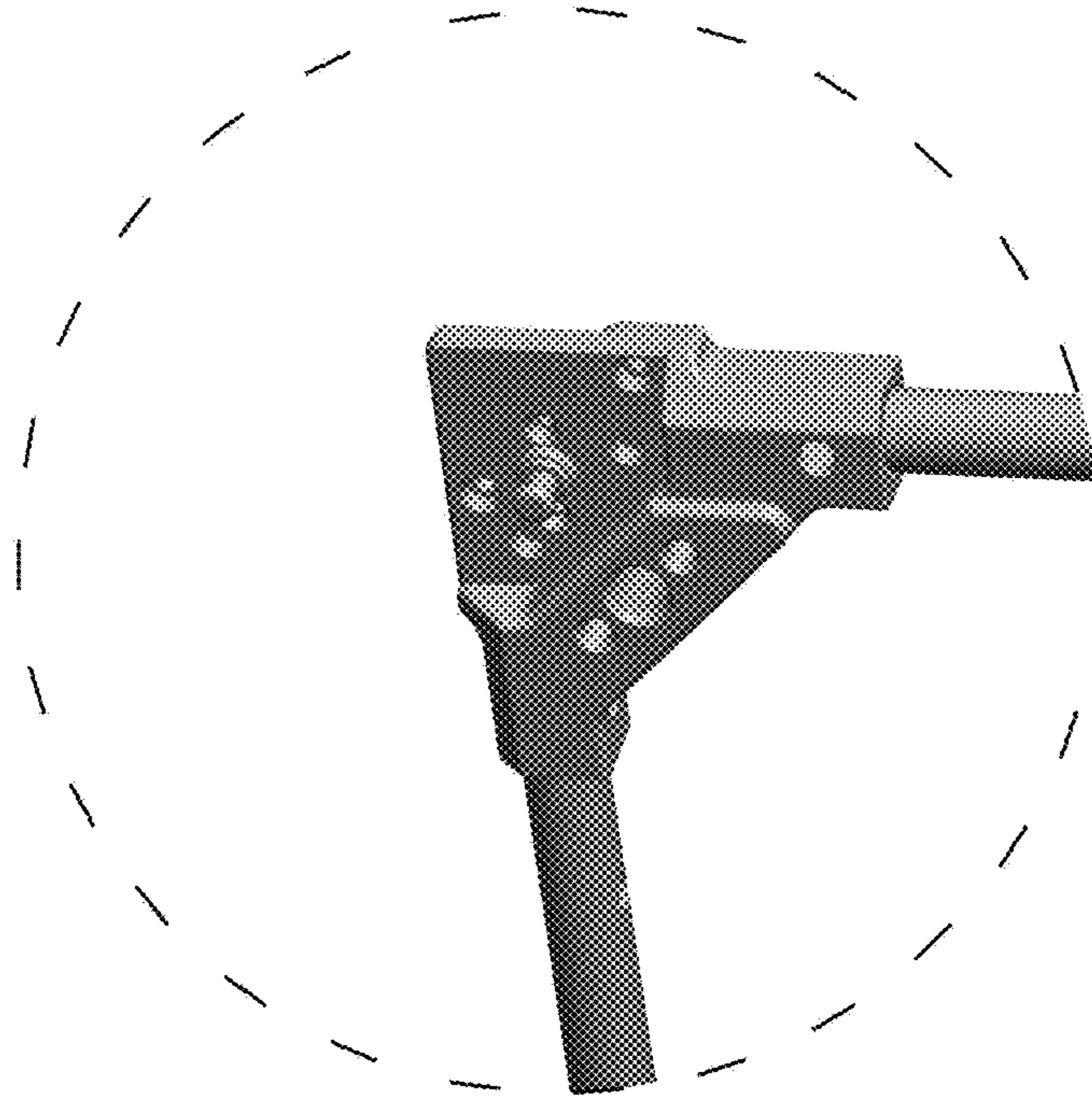


Fig. 8

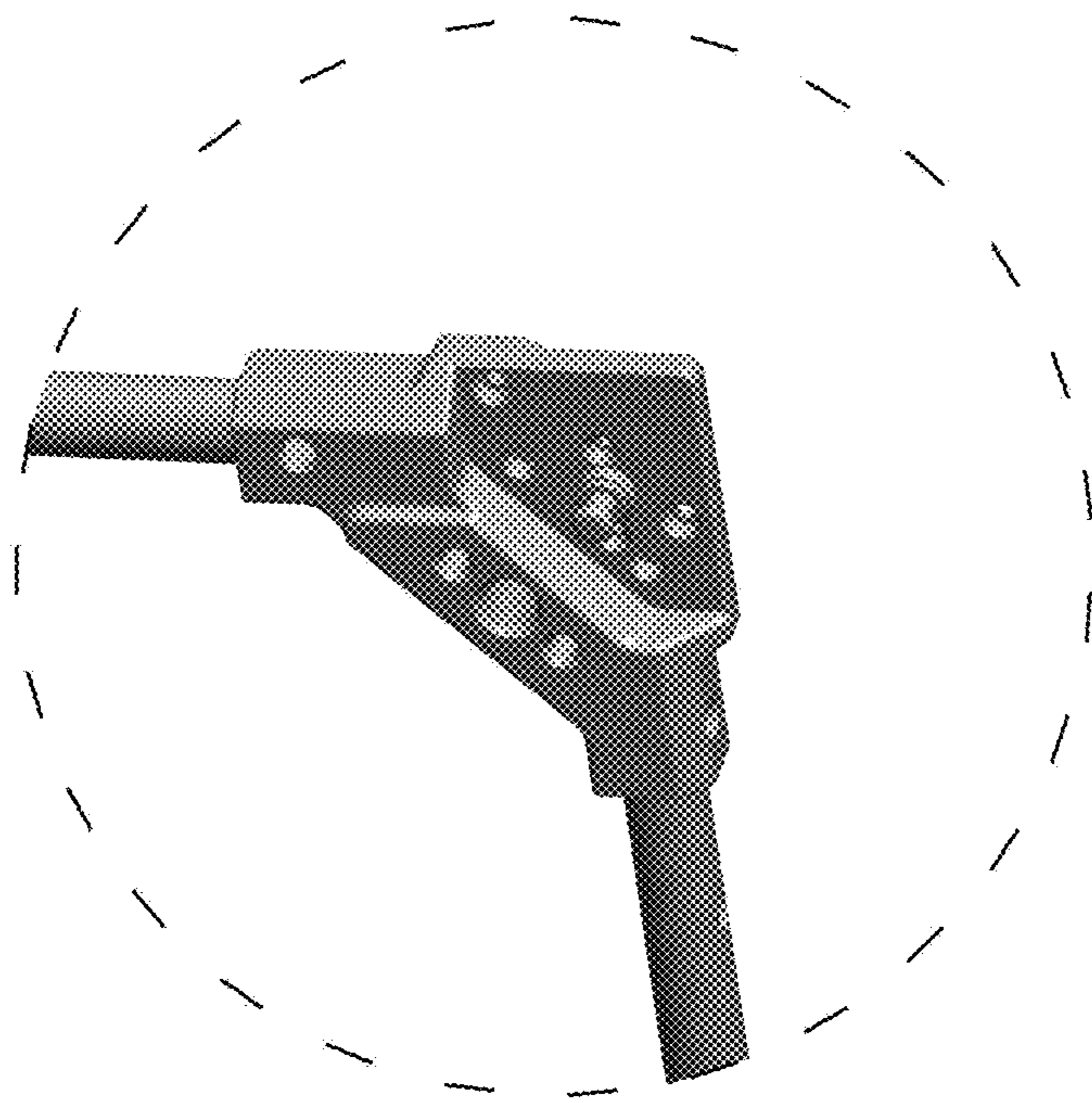


Fig. 9

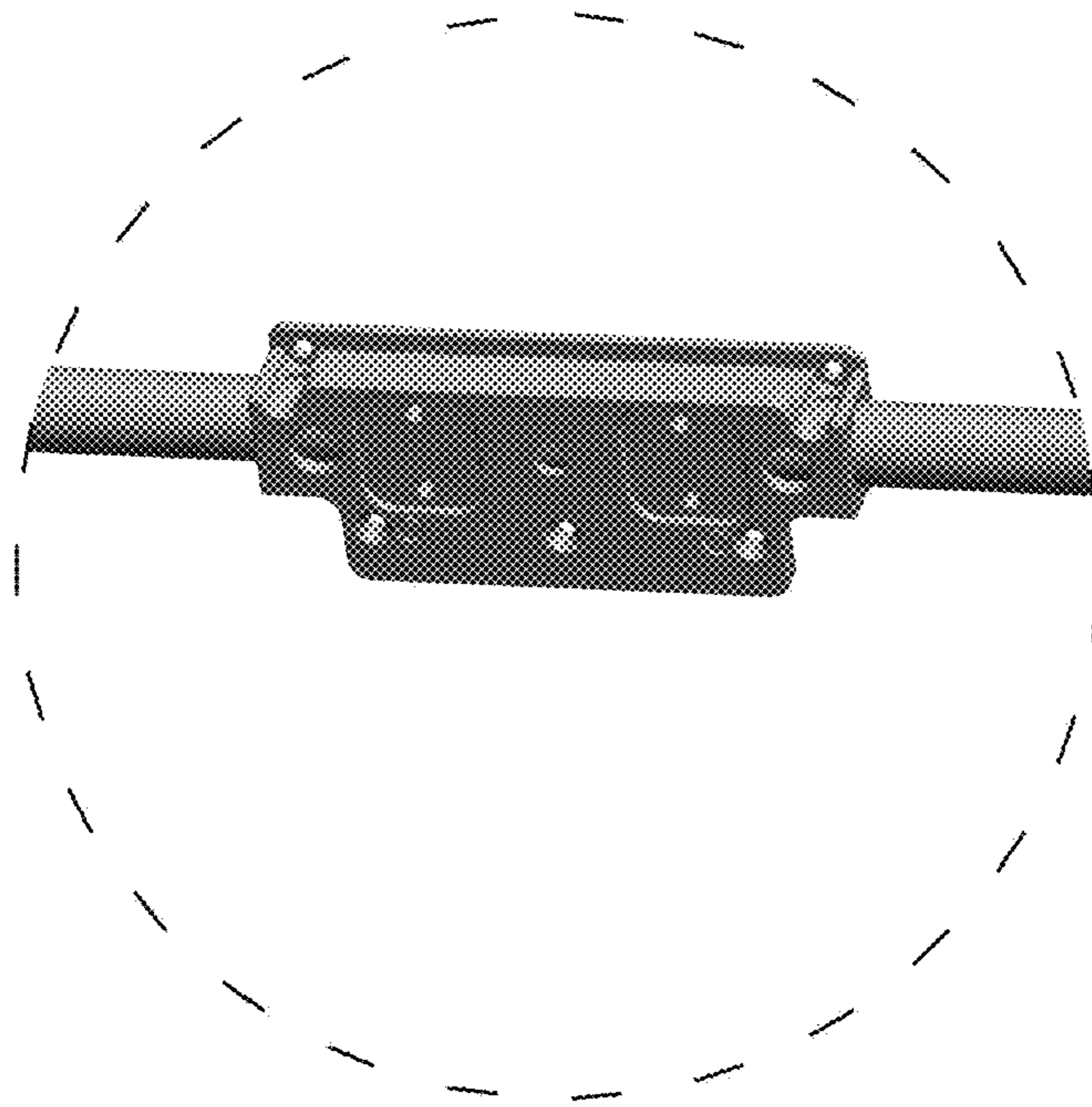


Fig. 10

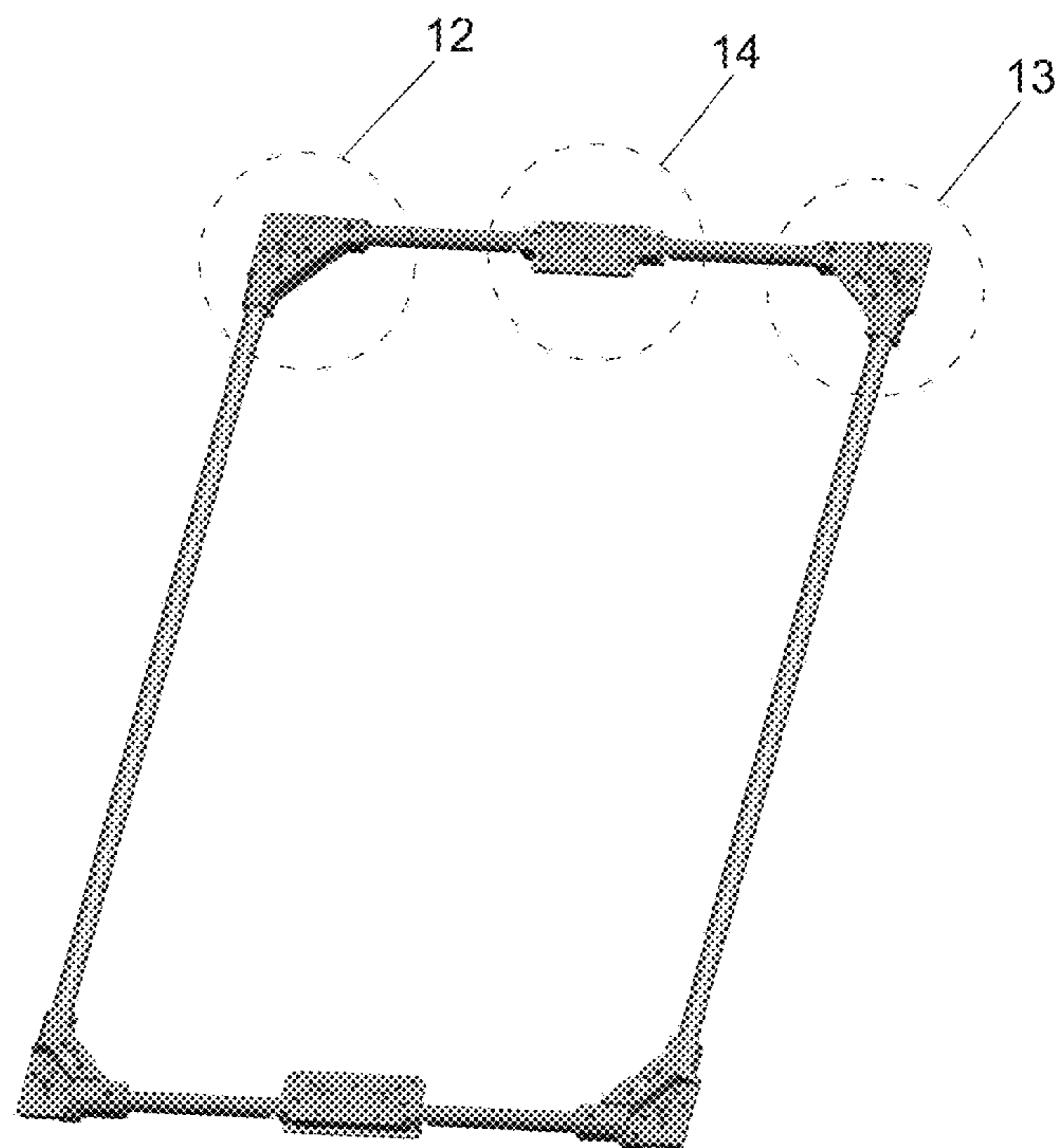


Fig. 11

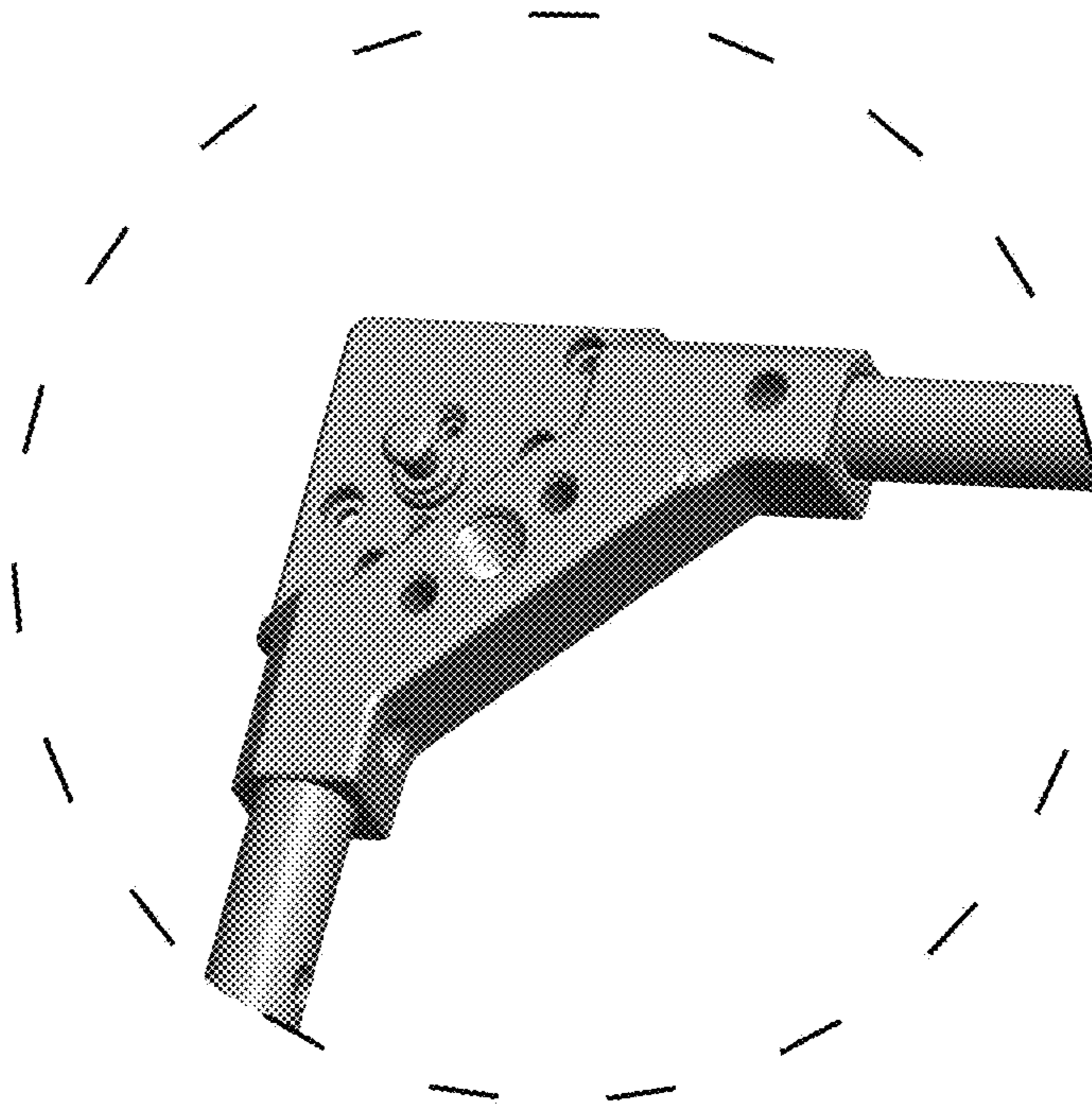


Fig. 12

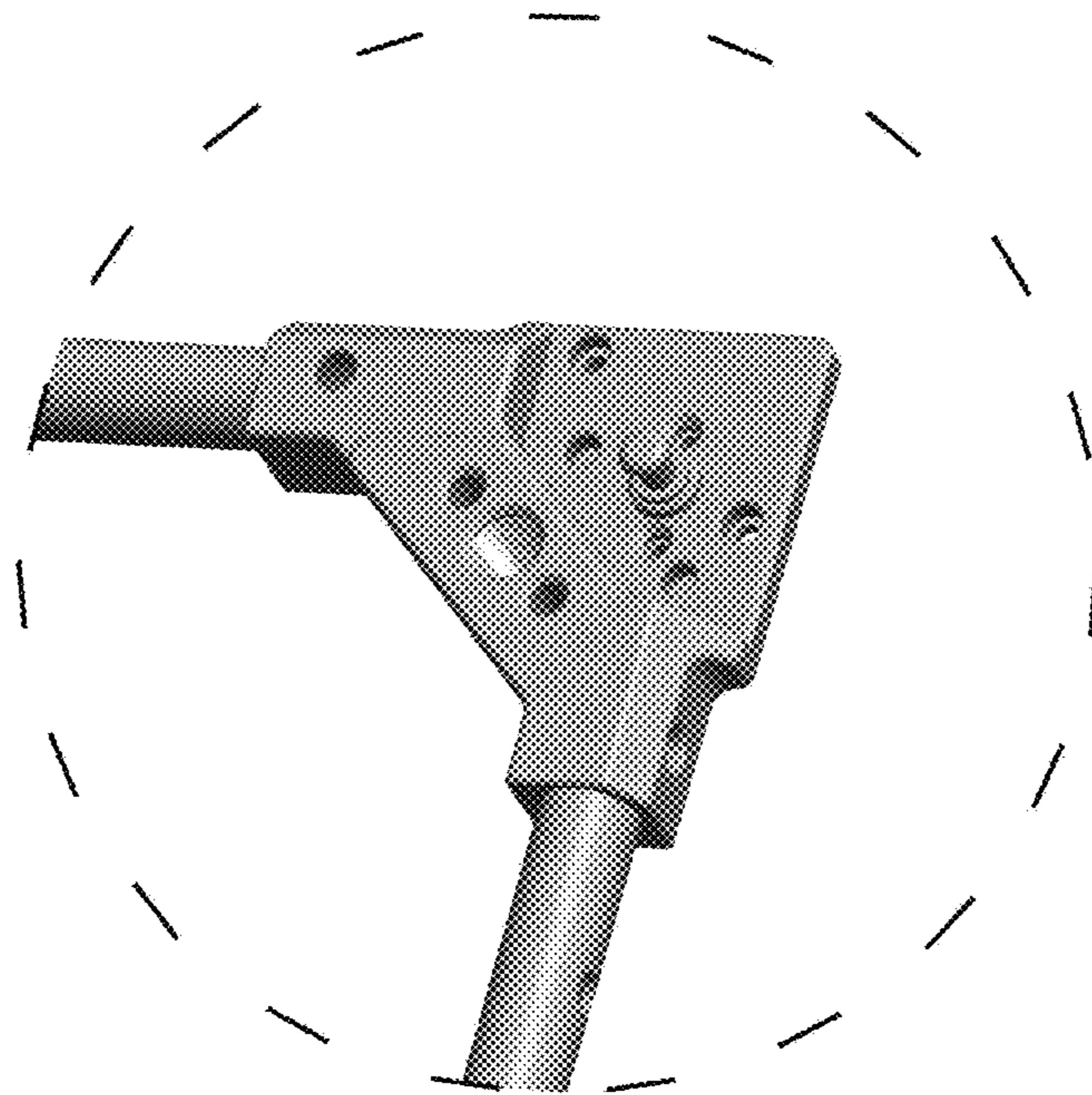


Fig. 13

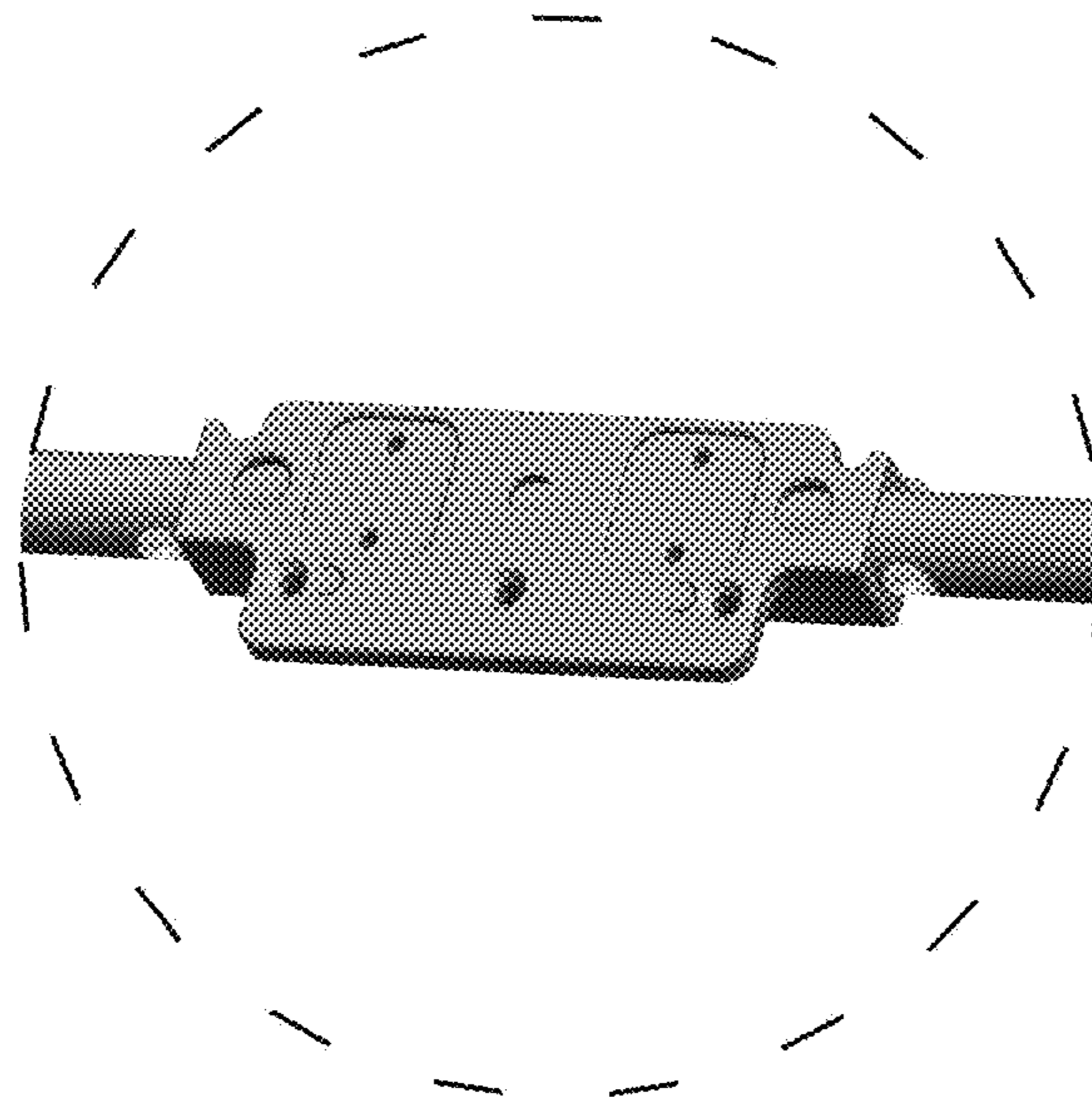


Fig. 14

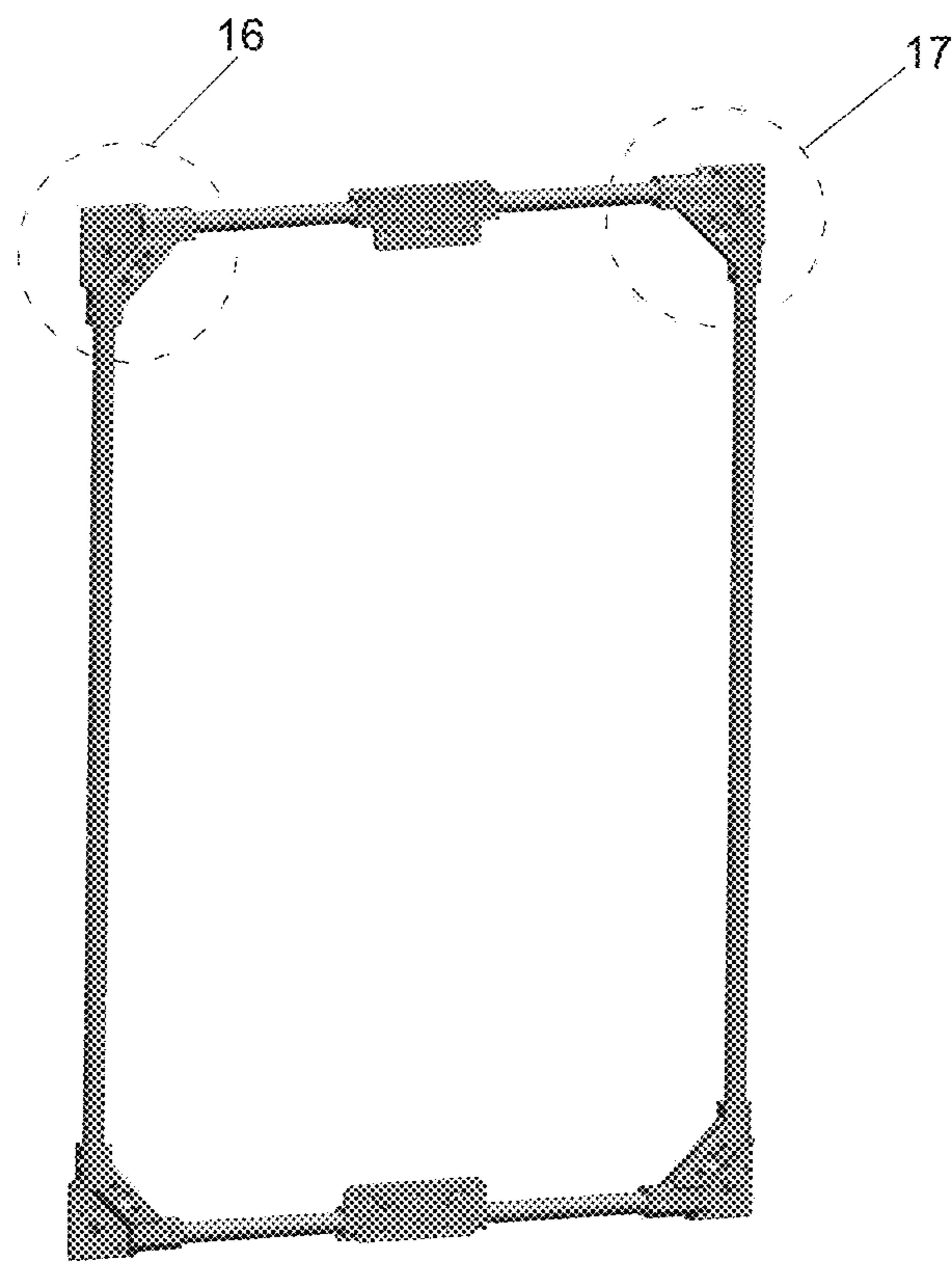


Fig. 15

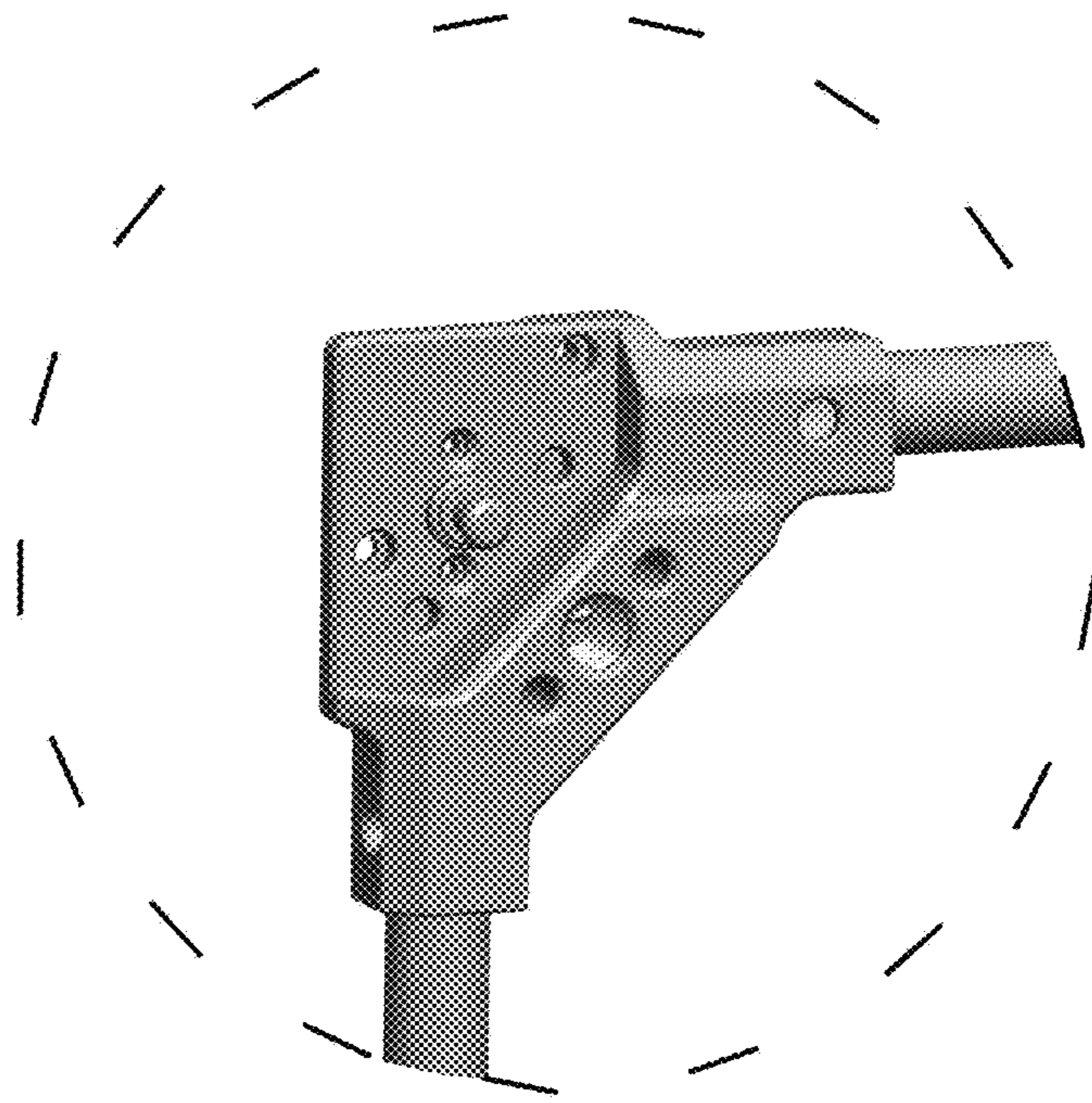


Fig. 16

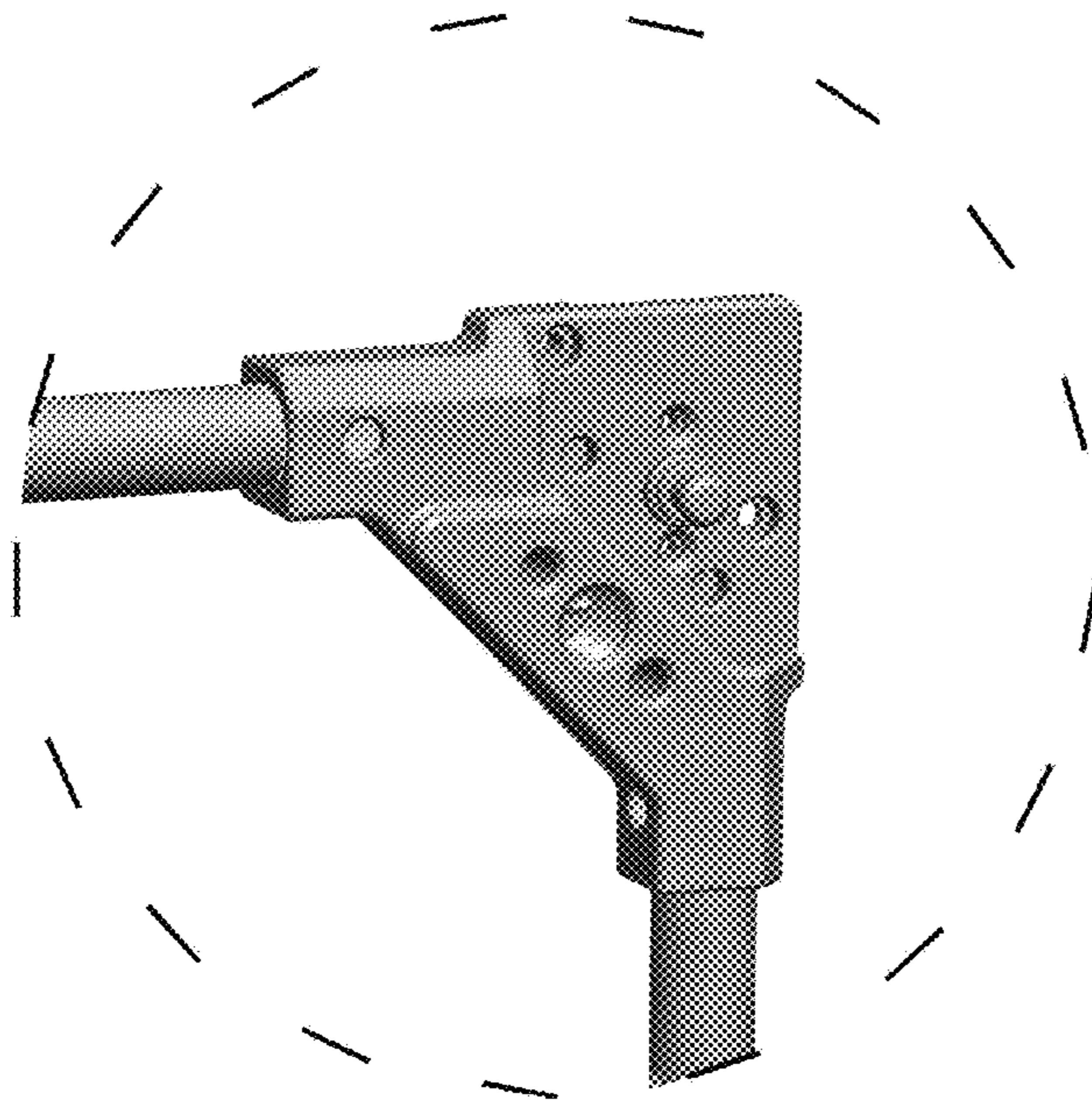


Fig. 17

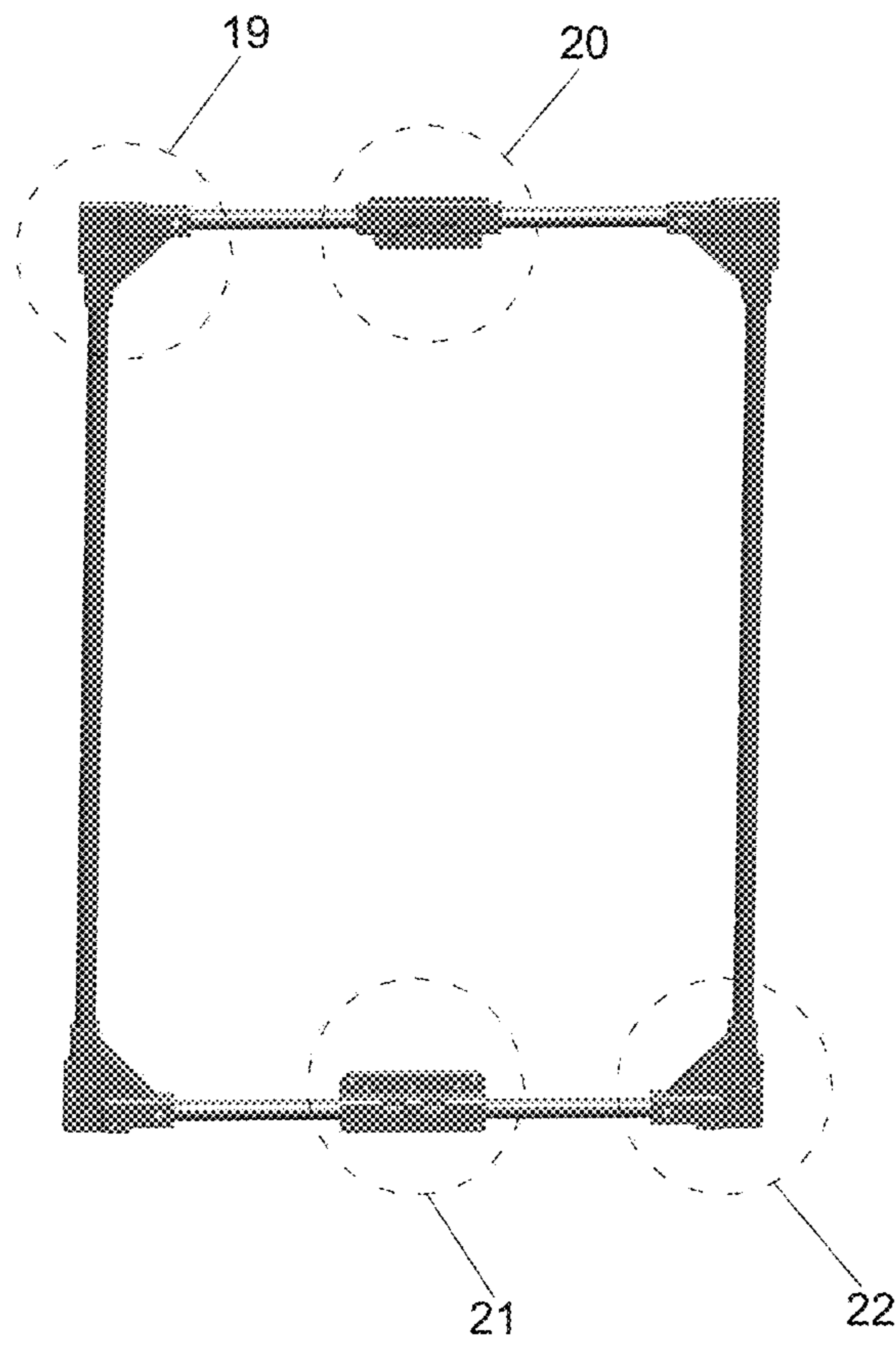


Fig. 18

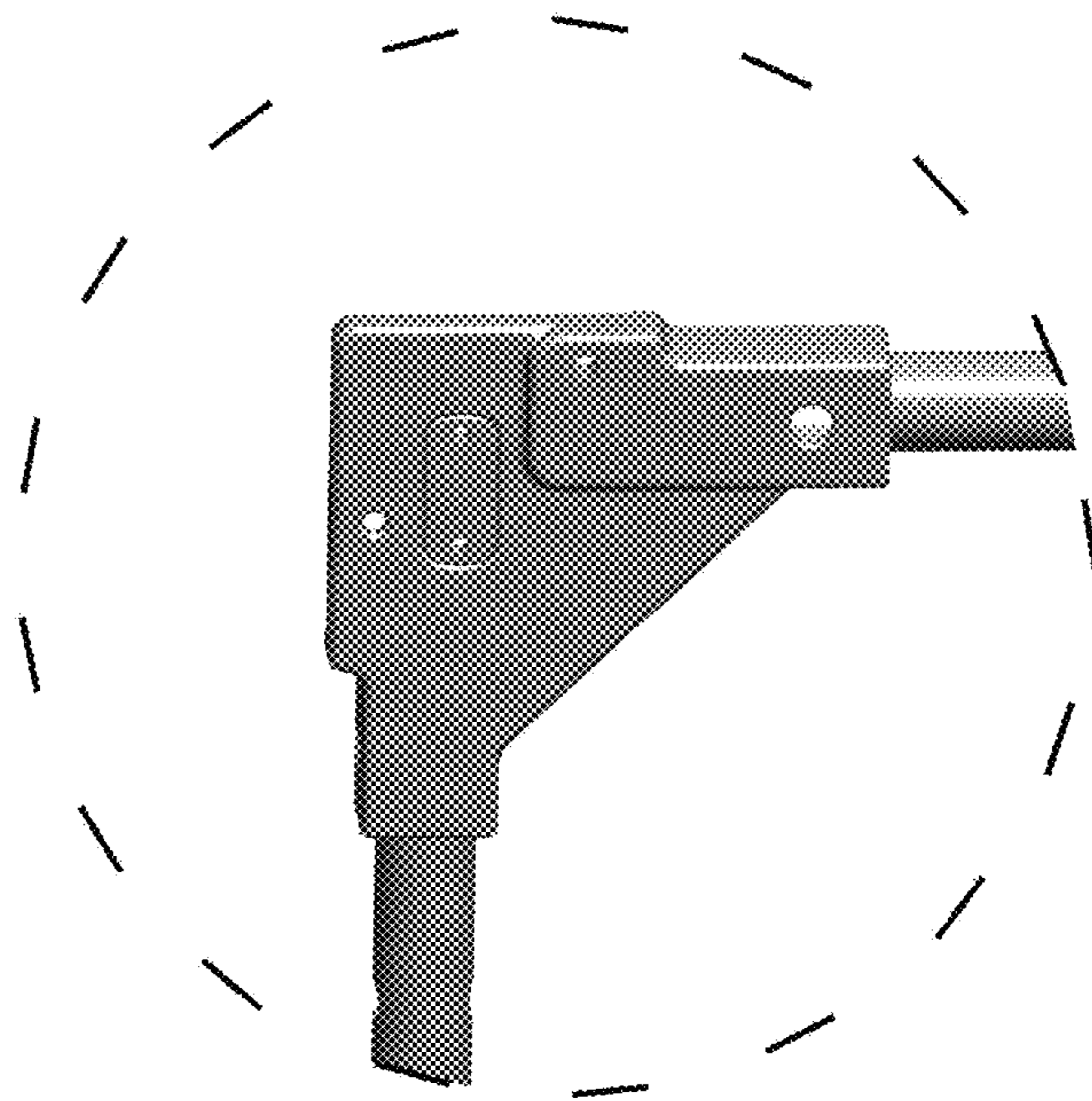


Fig. 19

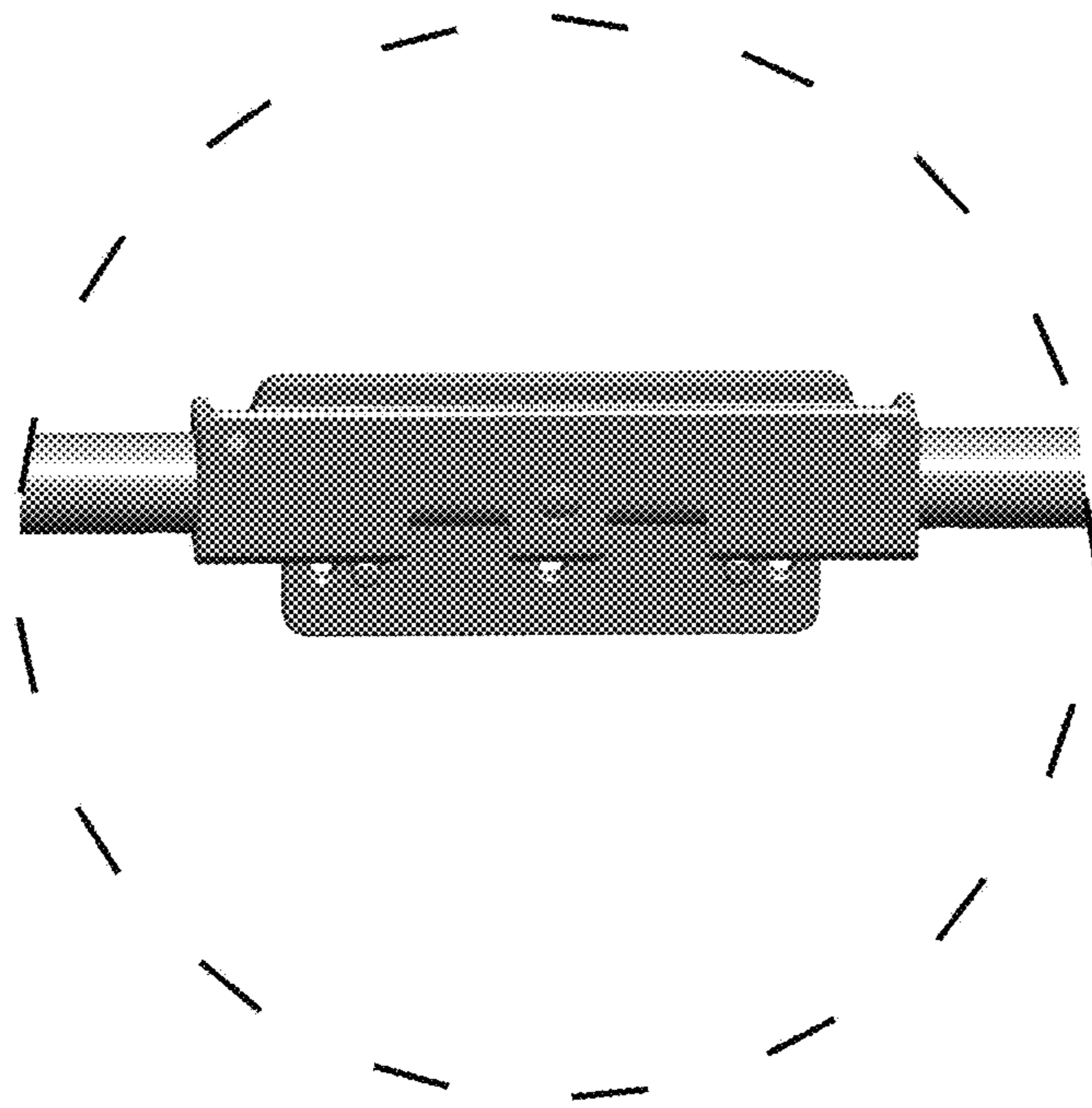


Fig. 20

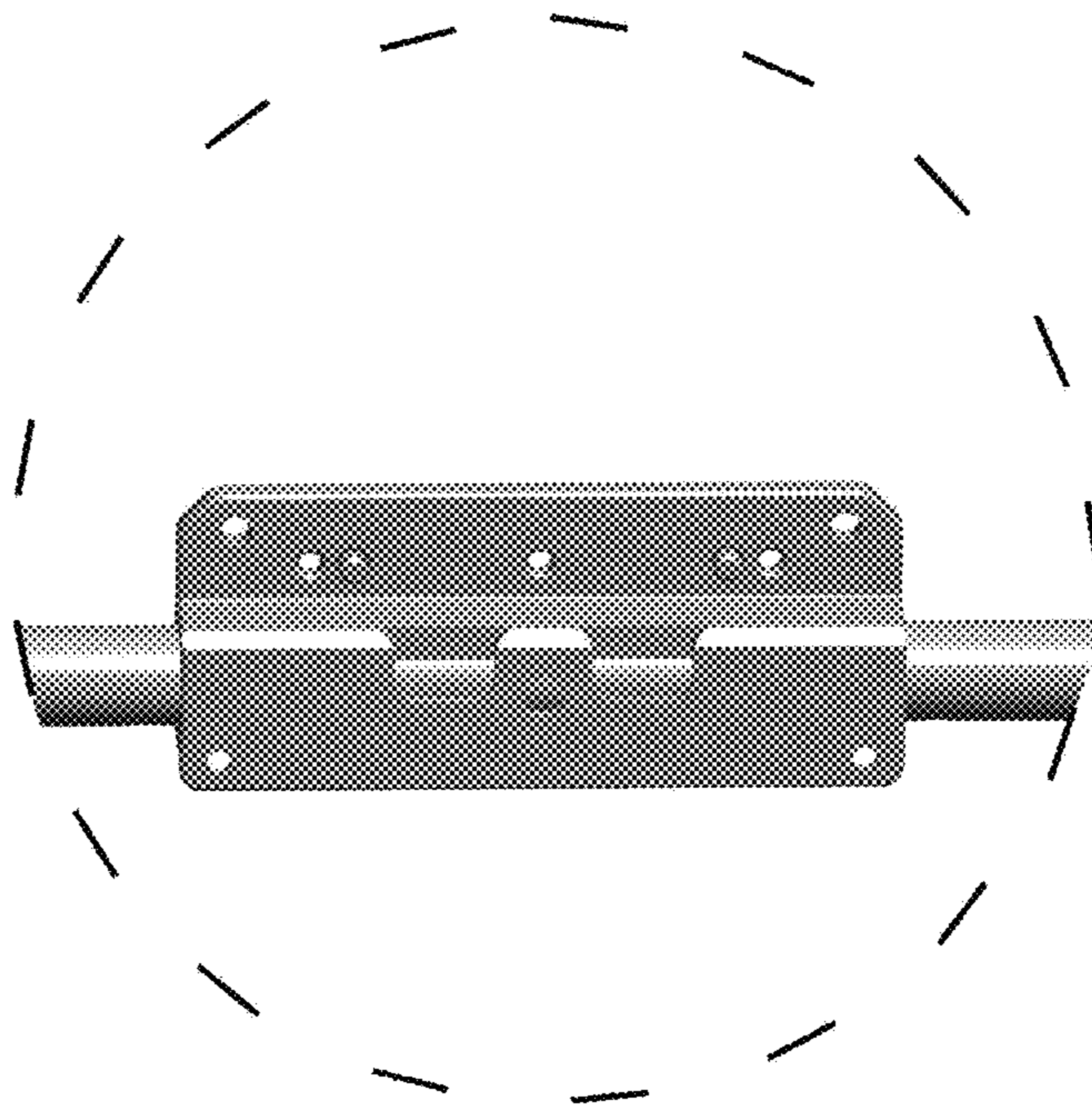


Fig. 21

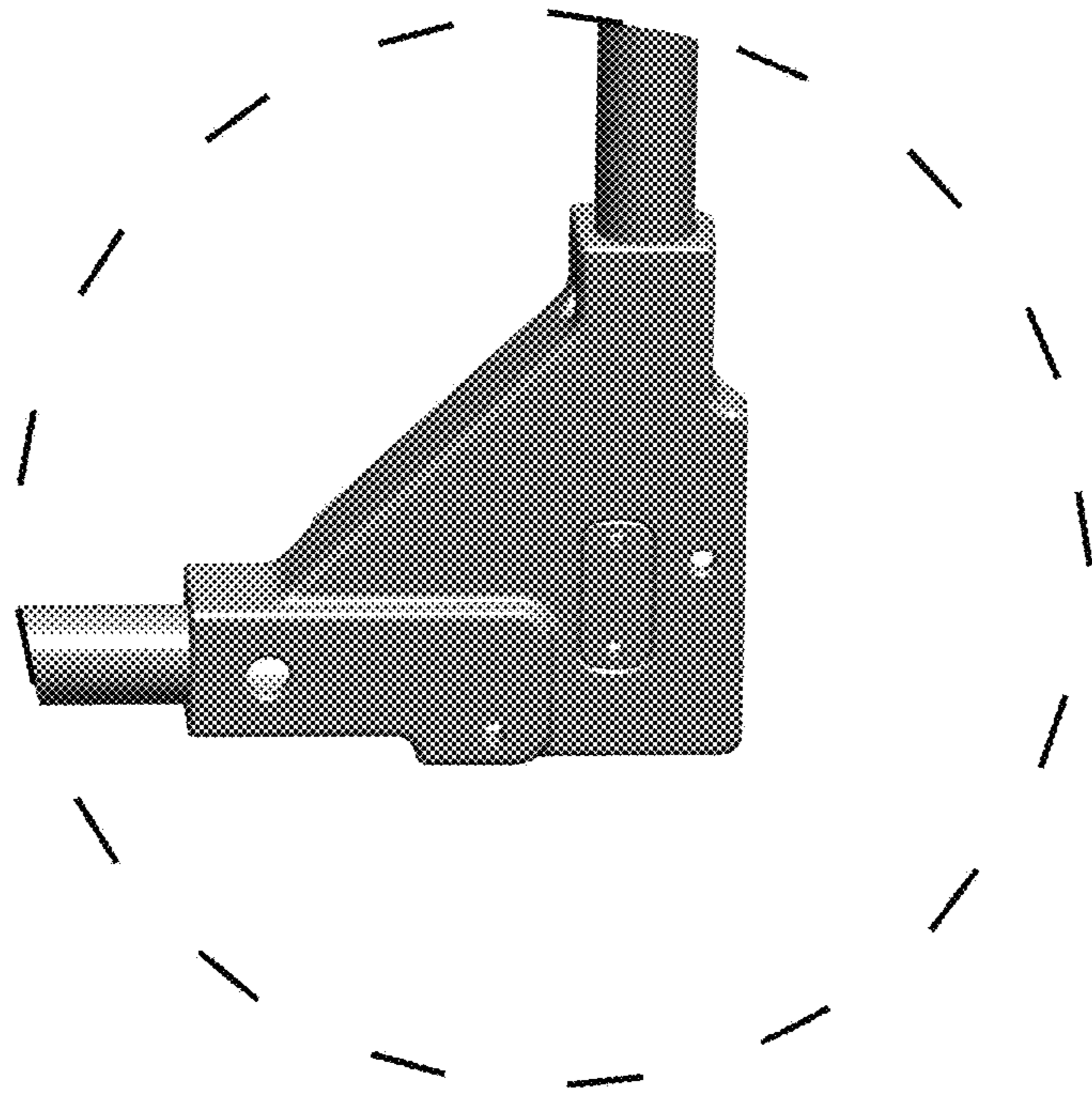


Fig. 22

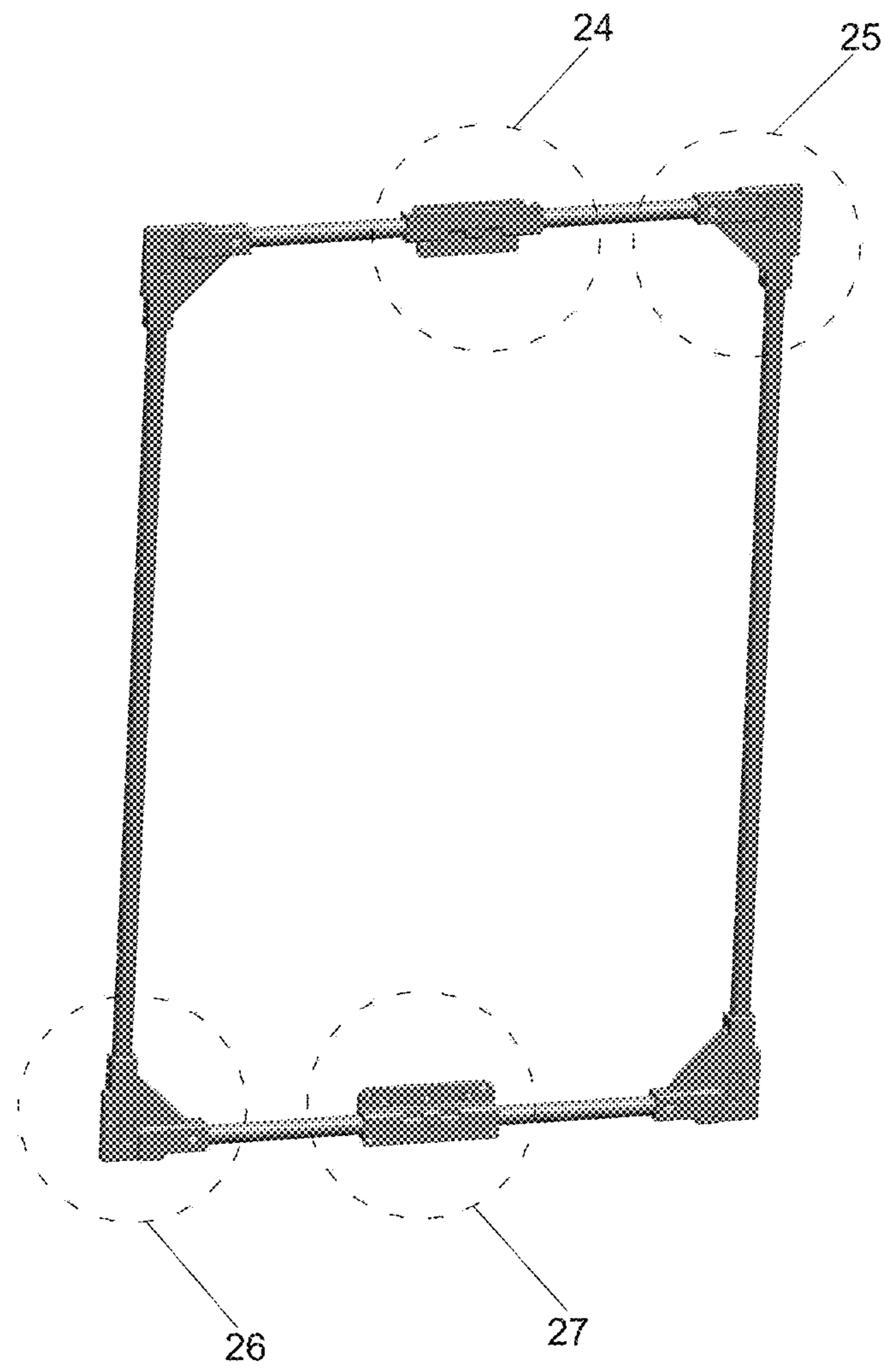


Fig. 23

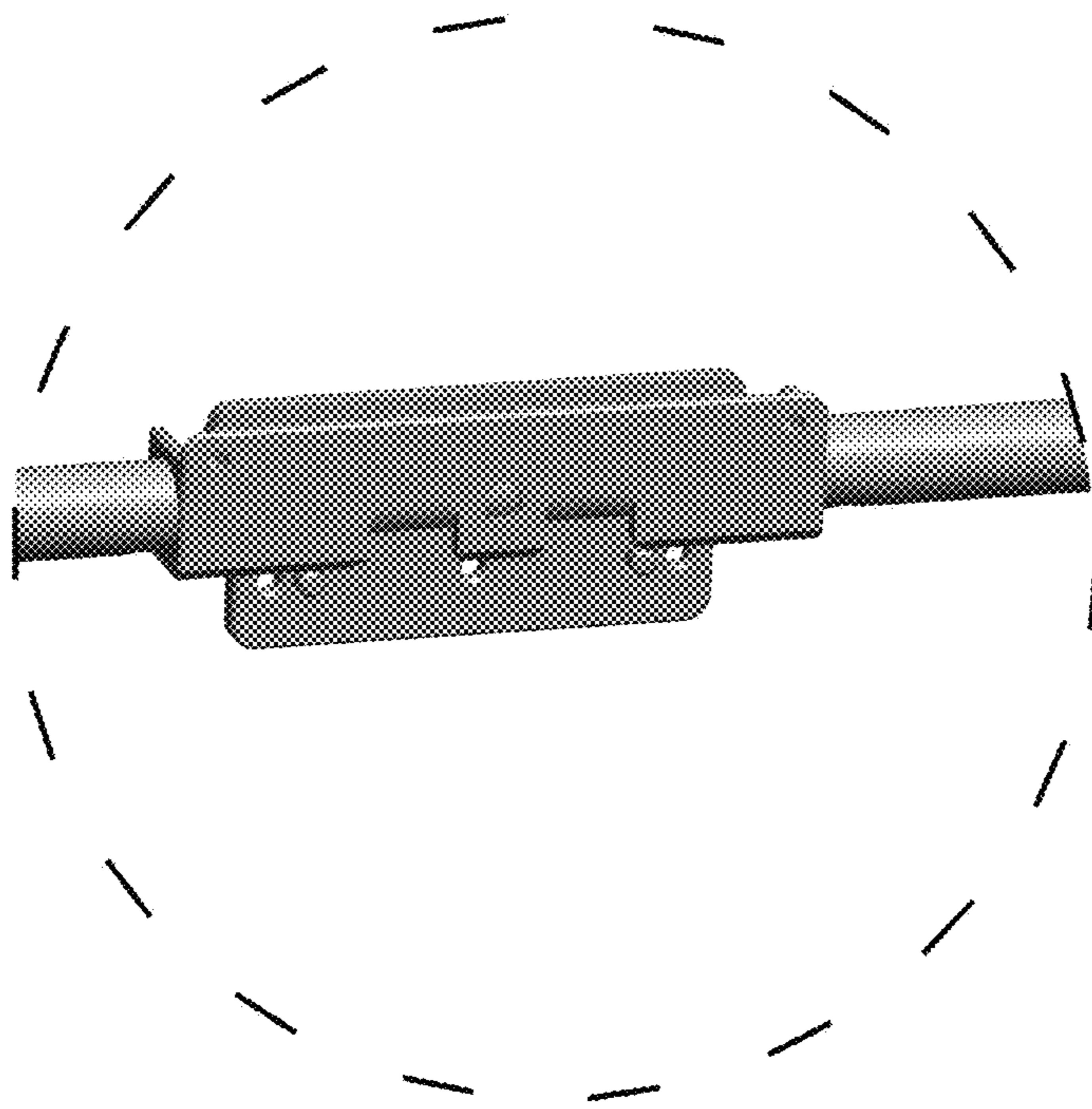


Fig. 24

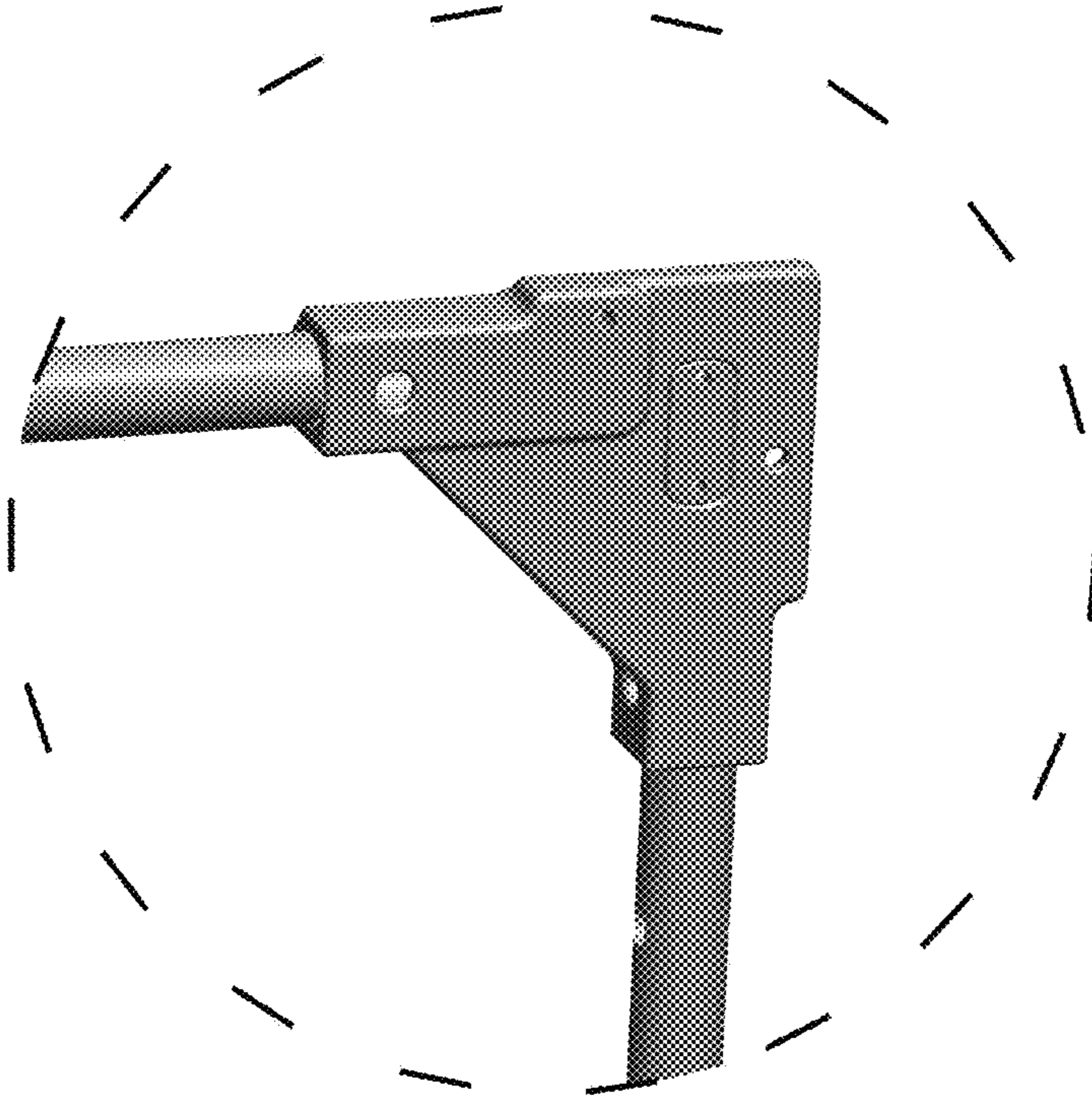


Fig. 25

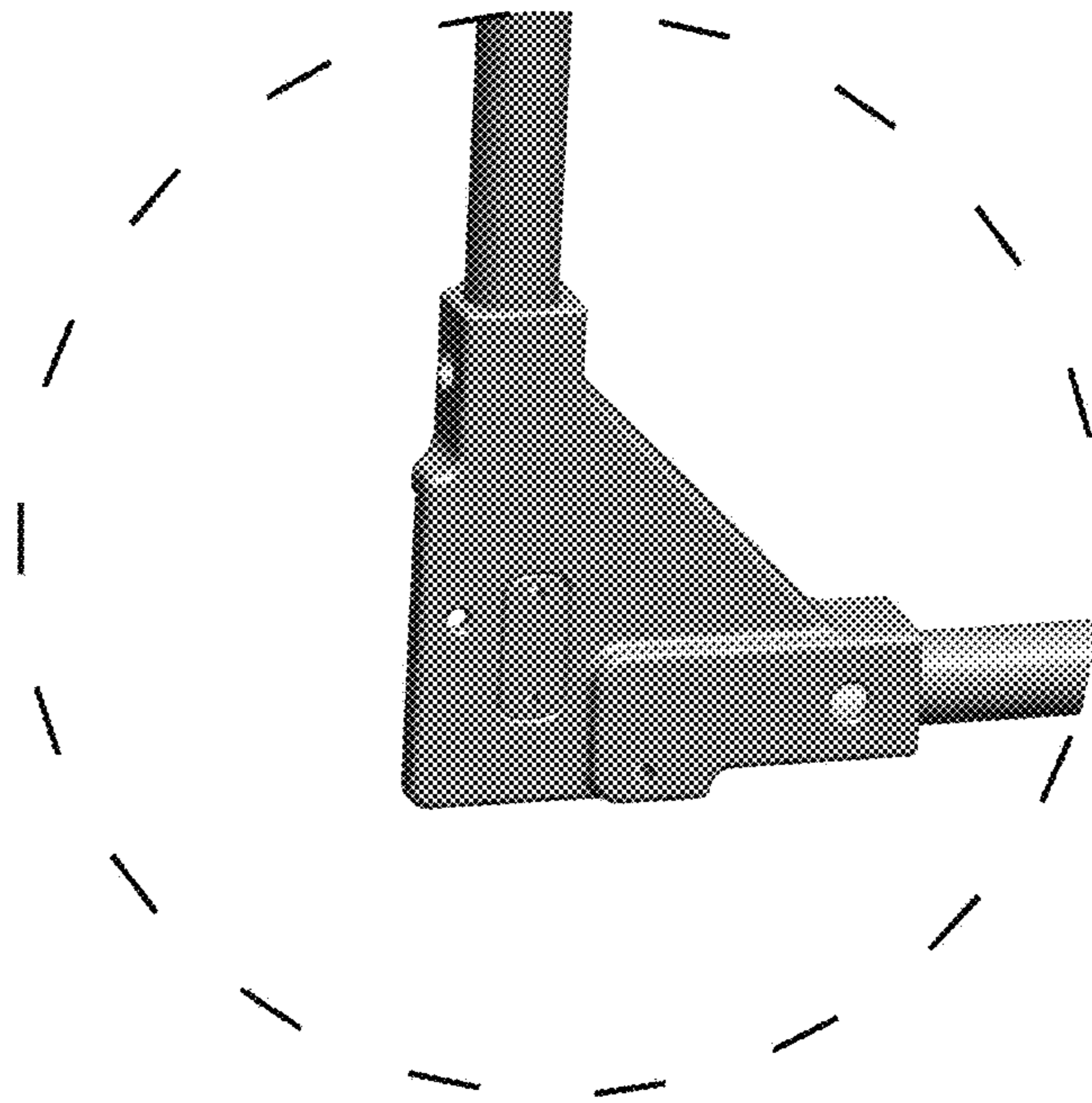


Fig. 26

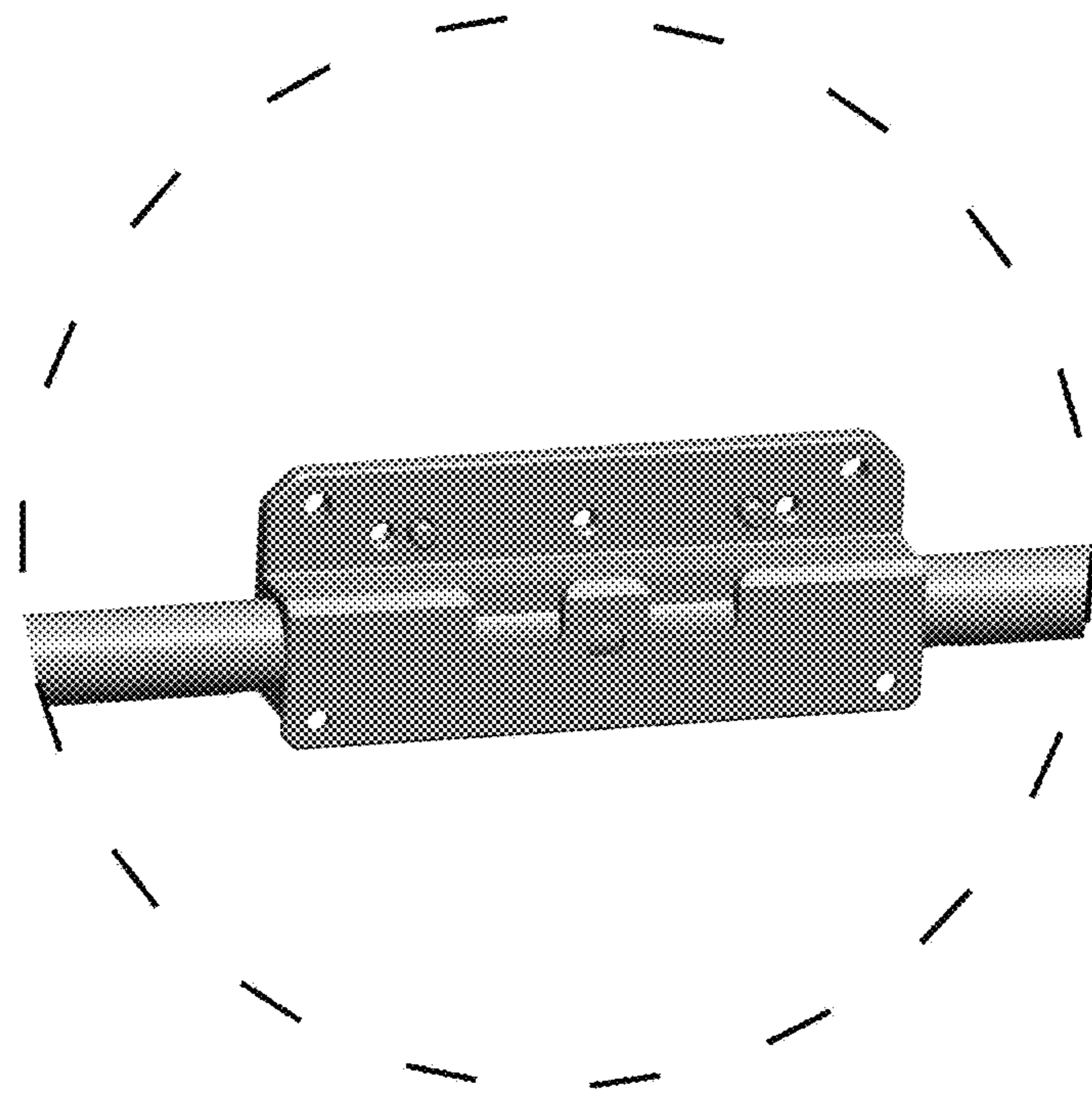


Fig. 27

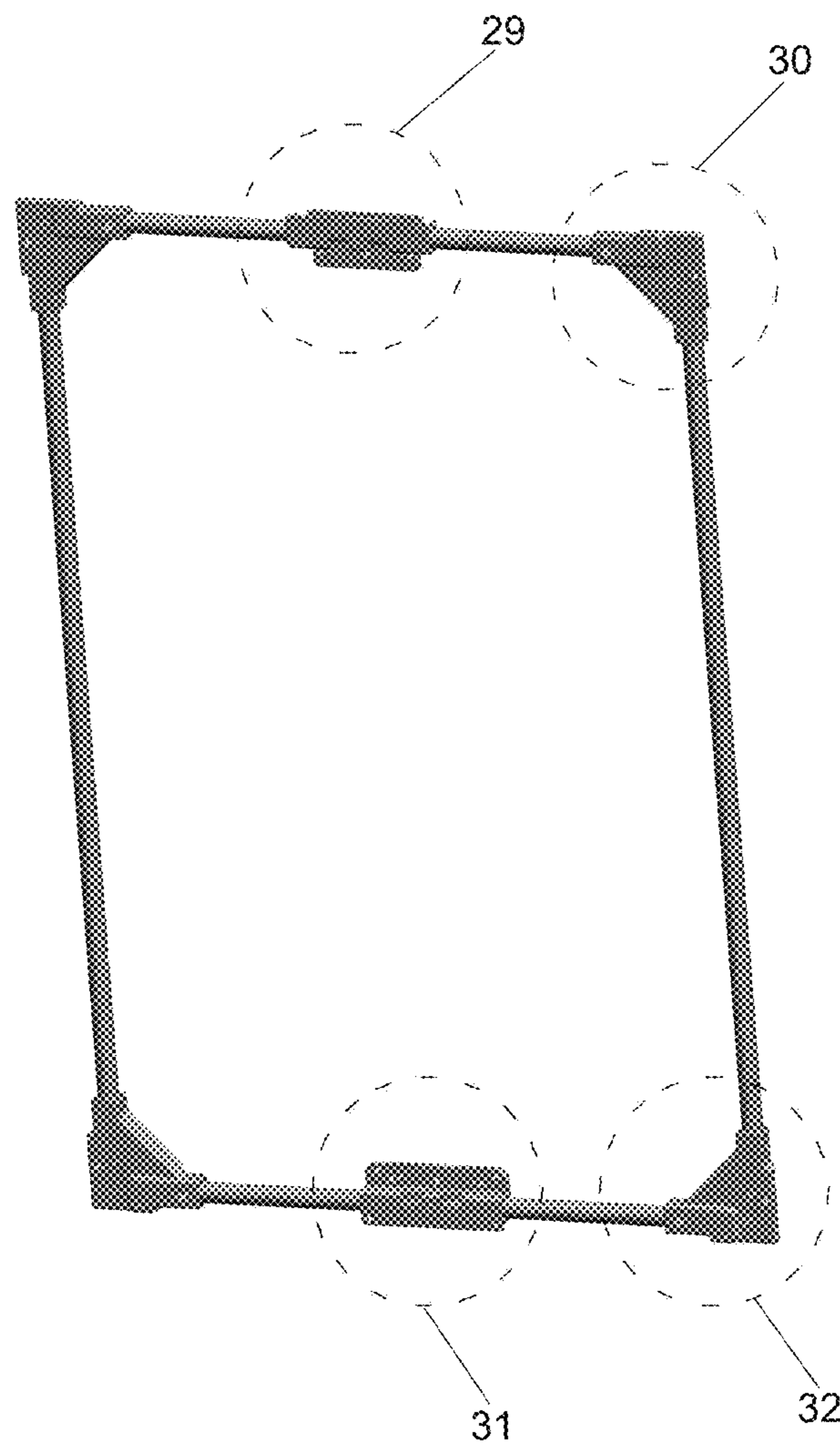


Fig. 28

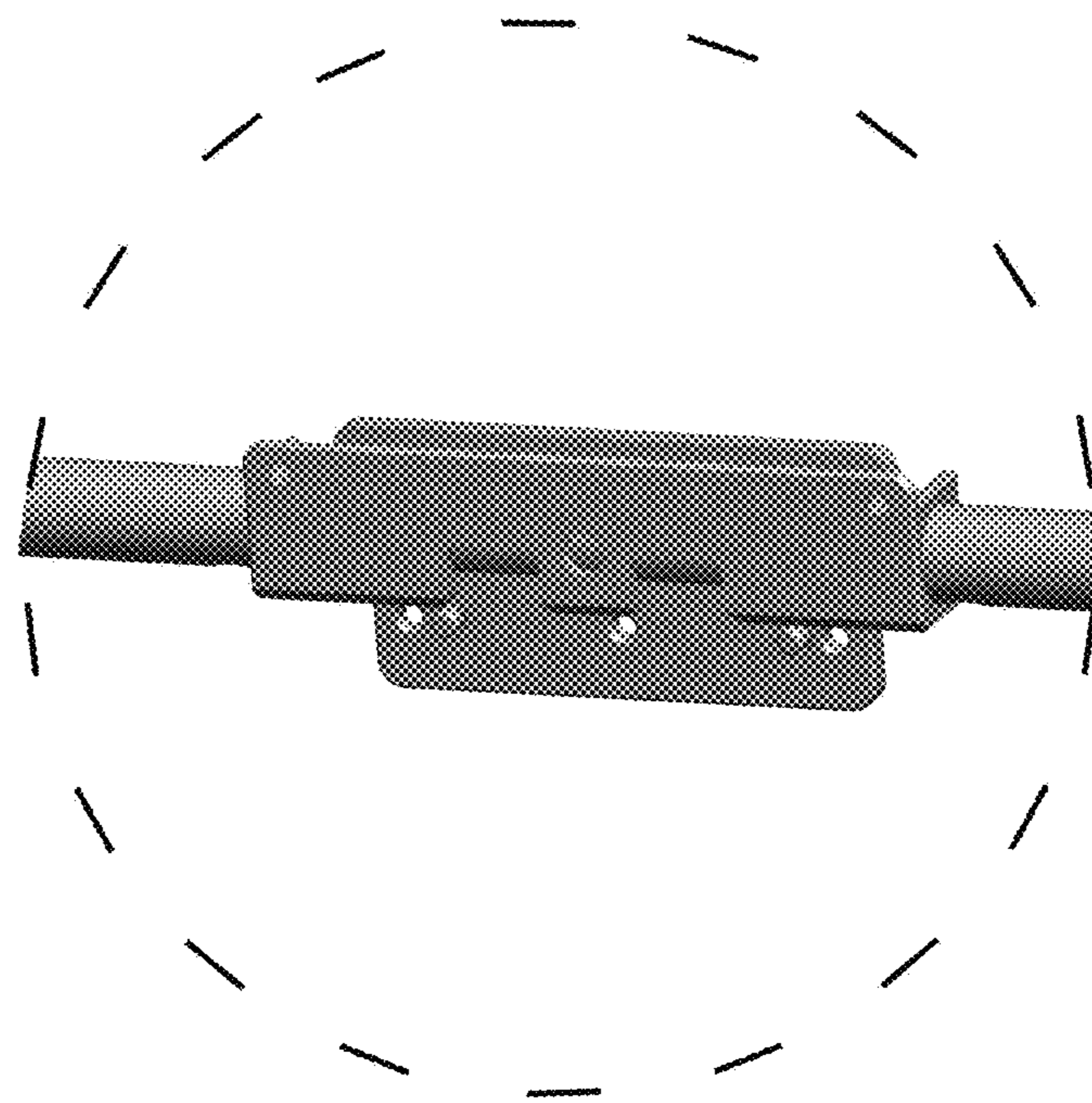


Fig. 29

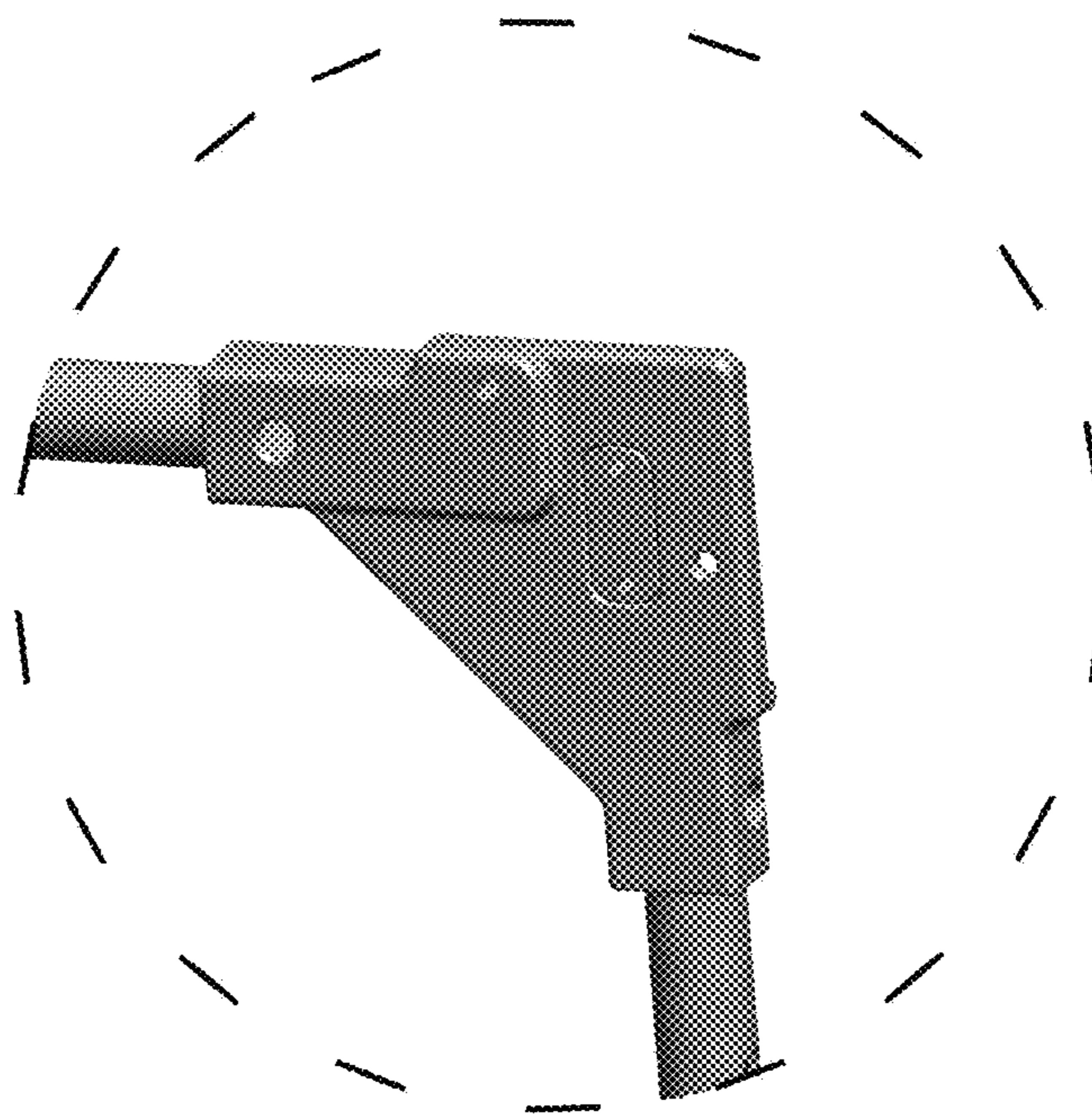


Fig. 30

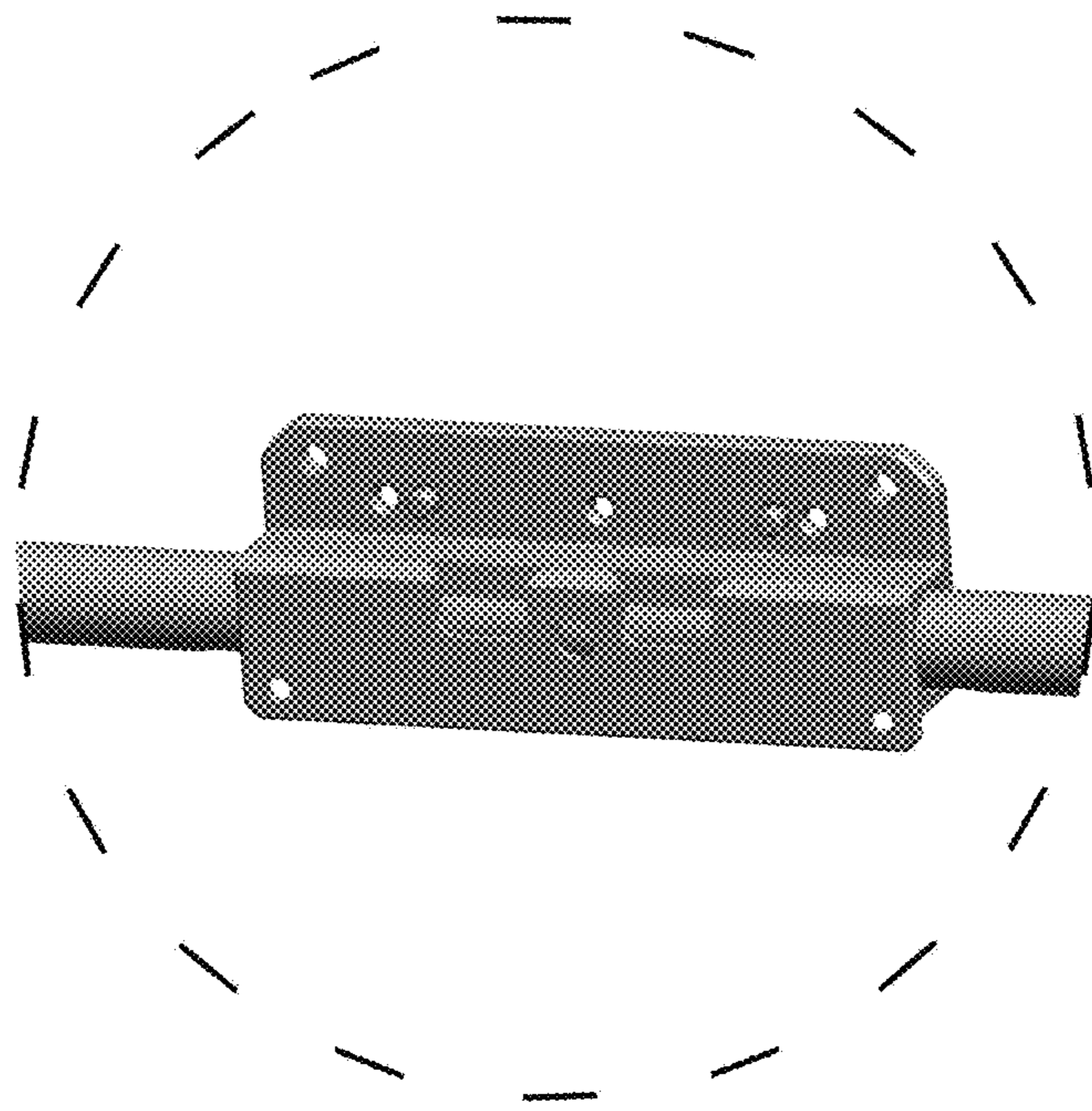


Fig. 31

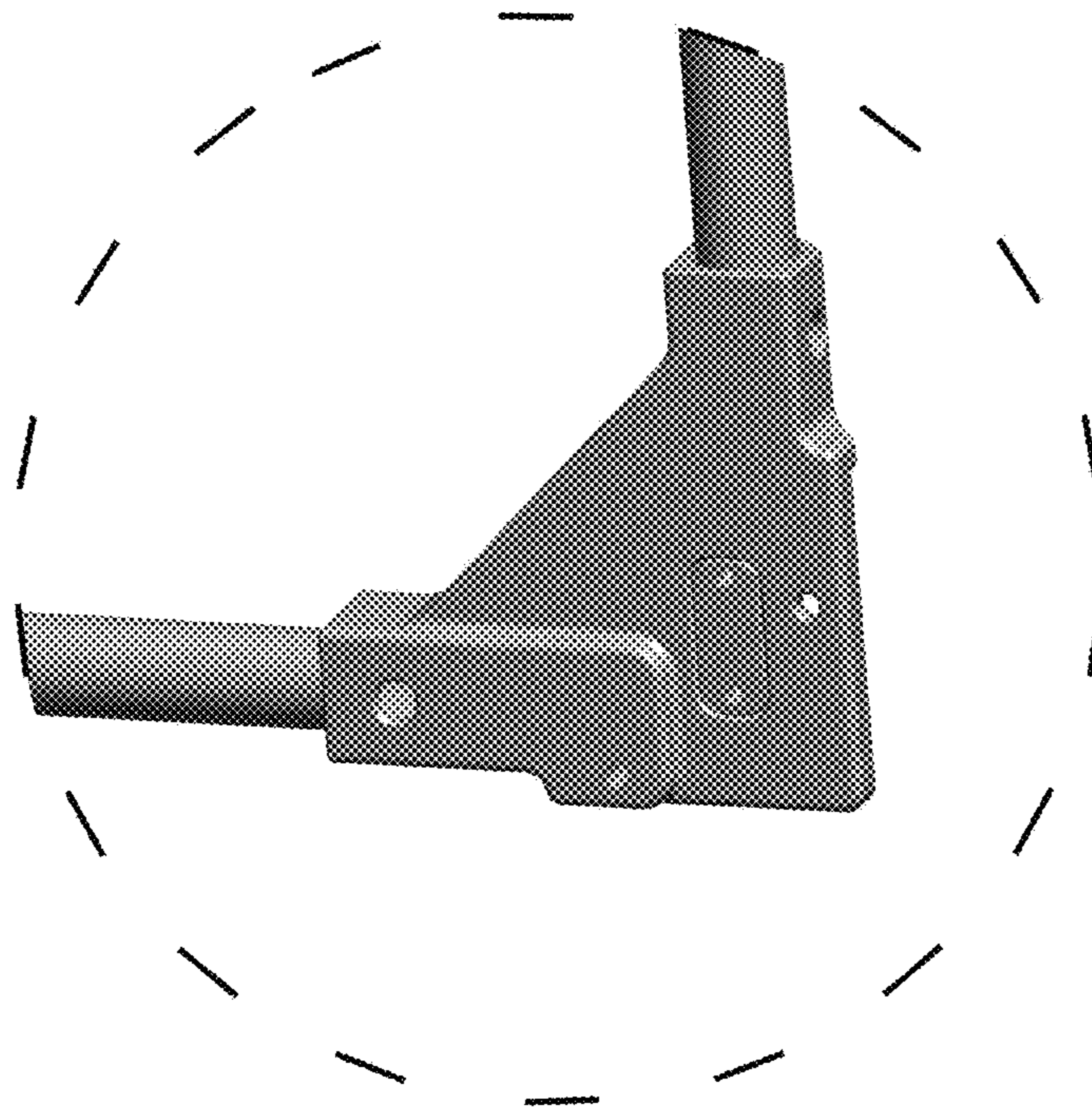


Fig. 32