



US00D849721S

(12) **United States Design Patent**
Chen

(10) **Patent No.:** **US D849,721 S**

(45) **Date of Patent:** **** May 28, 2019**

(54) **COMPUTER MICROPHONE**

(71) Applicant: **Ching-Wen Chen**, Taipei (TW)

(72) Inventor: **Ching-Wen Chen**, Taipei (TW)

(**) Term: **15 Years**

(21) Appl. No.: **29/632,766**

(22) Filed: **Jan. 10, 2018**

(51) **LOC (11) Cl.** **14-01**

(52) **U.S. Cl.**
USPC **D14/227**

(58) **Field of Classification Search**

USPC D14/221, 225, 226, 227, 228, 229, 150,
D14/154, 155, 158, 160, 172
CPC H04R 19/04; H04R 19/00; H04R 1/406;
H04R 1/08; H04R 1/04; H04R 1/326;
H04R 29/004; H04R 2410/00; H04R
2410/01; H04R 2410/03; H04R 2410/05;
H04R 2410/07; H04R 2420/07; H04R
17/02

See application file for complete search history.

(56) **References Cited**

U.S. PATENT DOCUMENTS

5,357,577	A *	10/1994	Waji	H01J 7/24 361/704
D594,856	S *	6/2009	Marshall	D14/228
D604,274	S *	11/2009	Durrett	D14/228
D673,204	S *	12/2012	Bae	D16/244
D746,797	S *	1/2016	Chen	D14/228
D835,612	S *	12/2018	Tong	D14/225
2006/0002576	A1 *	1/2006	Akino	H04R 1/021 381/361
2008/0152174	A1 *	6/2008	Marshall	H04R 19/04 381/172
2010/0208929	A1 *	8/2010	Heil	H04R 11/04 381/355

OTHER PUBLICATIONS

MAD GIGA SF—960B USB Condenser Microphone, posted Jun. 5, 2018 [online], retrieved Dec. 17, 2018, retrieved from internet, <https://www.gearbest.com/microphone/pp_1704987.html?wid=1214279>.*

Audio—Technica AT2020USB+ Cardioid Condenser USB Microphone, posted Jan. 25, 2013 [online], retrieved Dec. 17, 2018, retrieved from internet, see box “W” for link.*

<https://www.amazon.com/gp/product/B00B5ZX9FM/ref=as_li_tl?ie=UTF8&camp=1789&creative=9325&creativeASIN=B00B5ZX9FM&linkCode=as2&tag=voice-over-mic-20&linkId=84bdcf591d86f01d7eae4194891288e2>.*

* cited by examiner

Primary Examiner — Barbara Fox

Assistant Examiner — Messina L Smith

(57) **CLAIM**

The ornamental design for a computer microphone, as shown.

DESCRIPTION

FIG. 1 is a front elevational view of a computer microphone showing my new design;

FIG. 2 is a rear elevational view thereof;

FIG. 3 is a left side view thereof;

FIG. 4 is a right side view thereof;

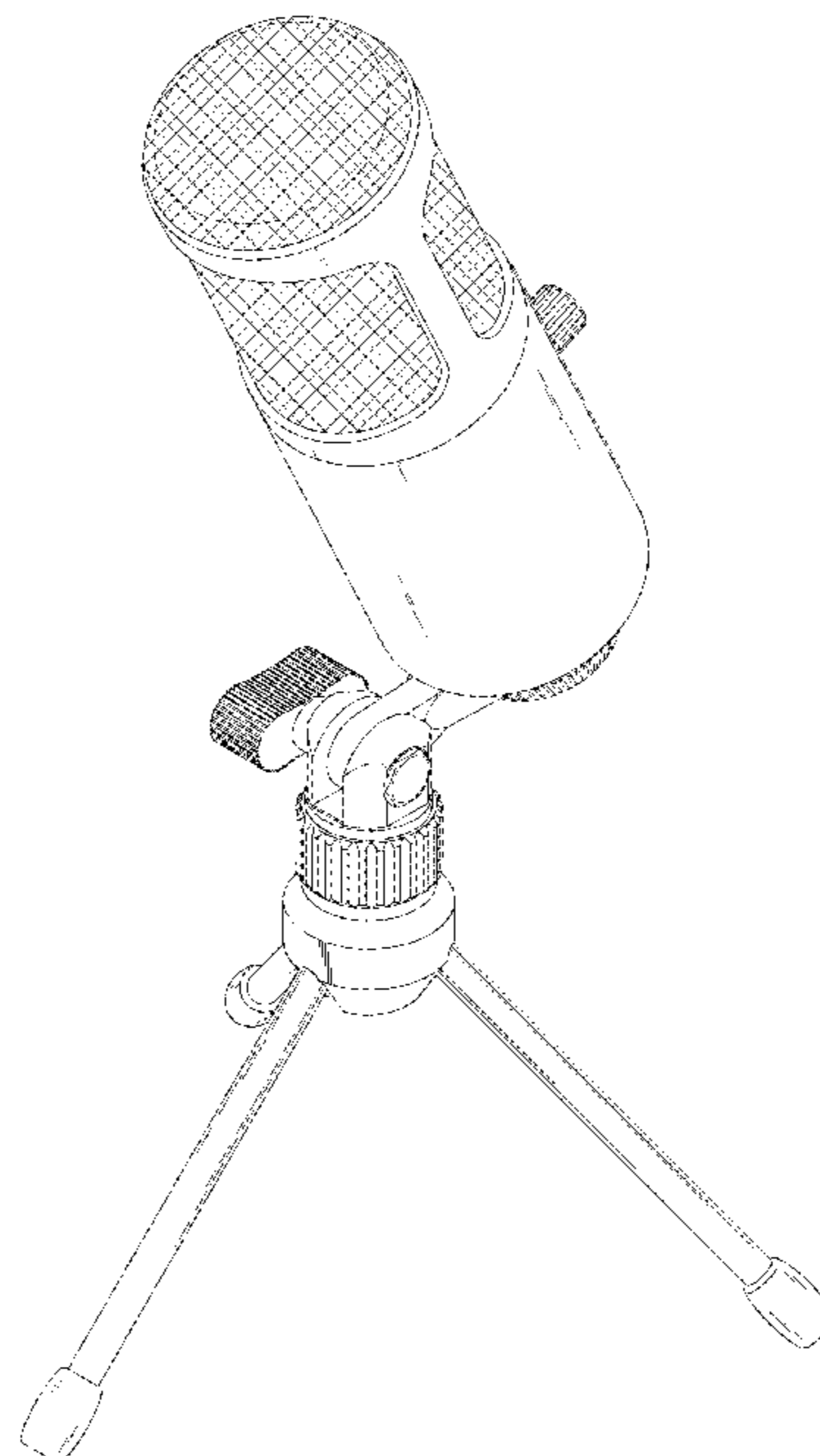
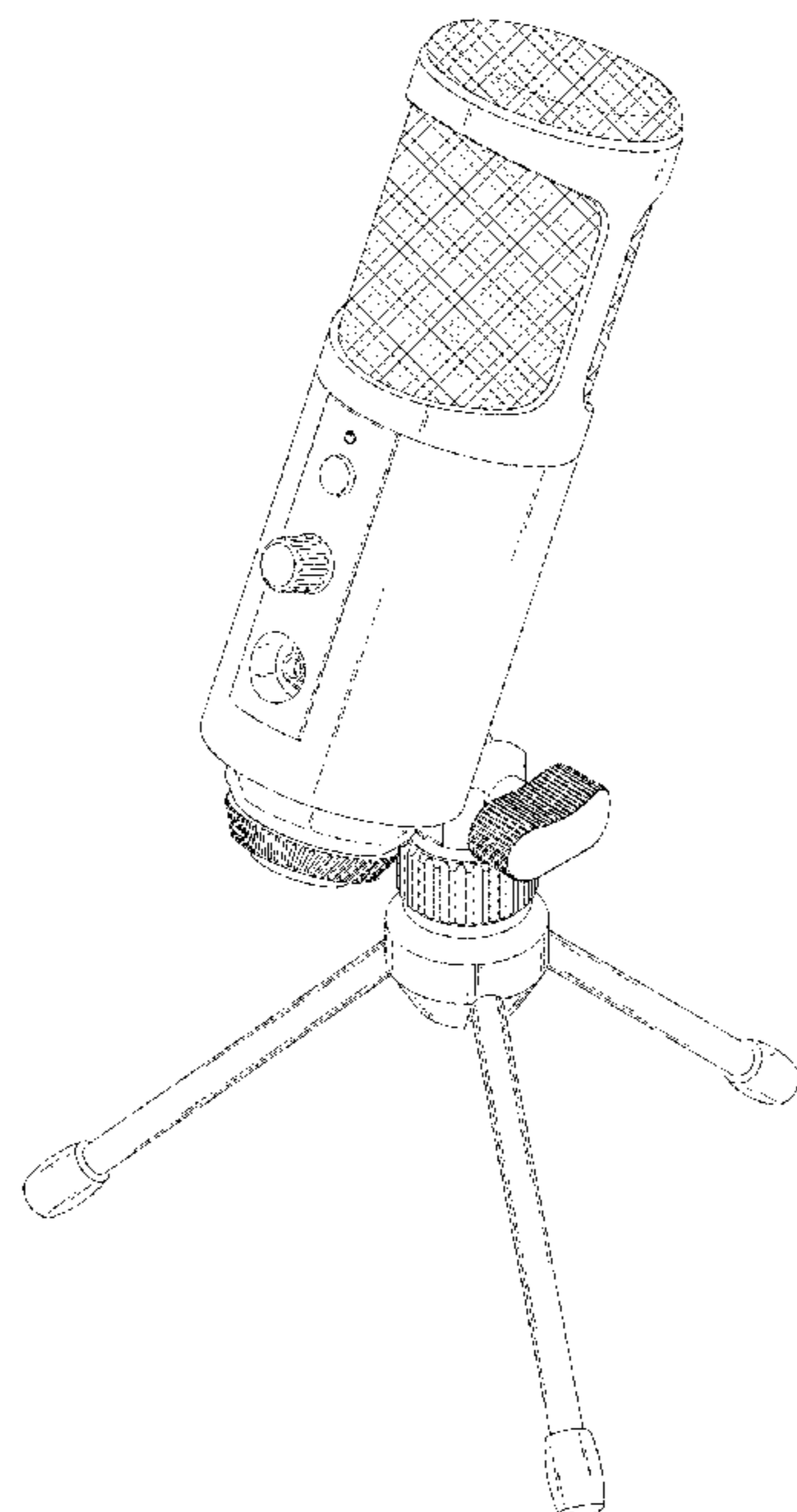
FIG. 5 is a top plan view thereof;

FIG. 6 is a bottom plan view thereof;

FIG. 7 is a perspective view thereof; and,

FIG. 8 is another perspective view thereof.

1 Claim, 8 Drawing Sheets



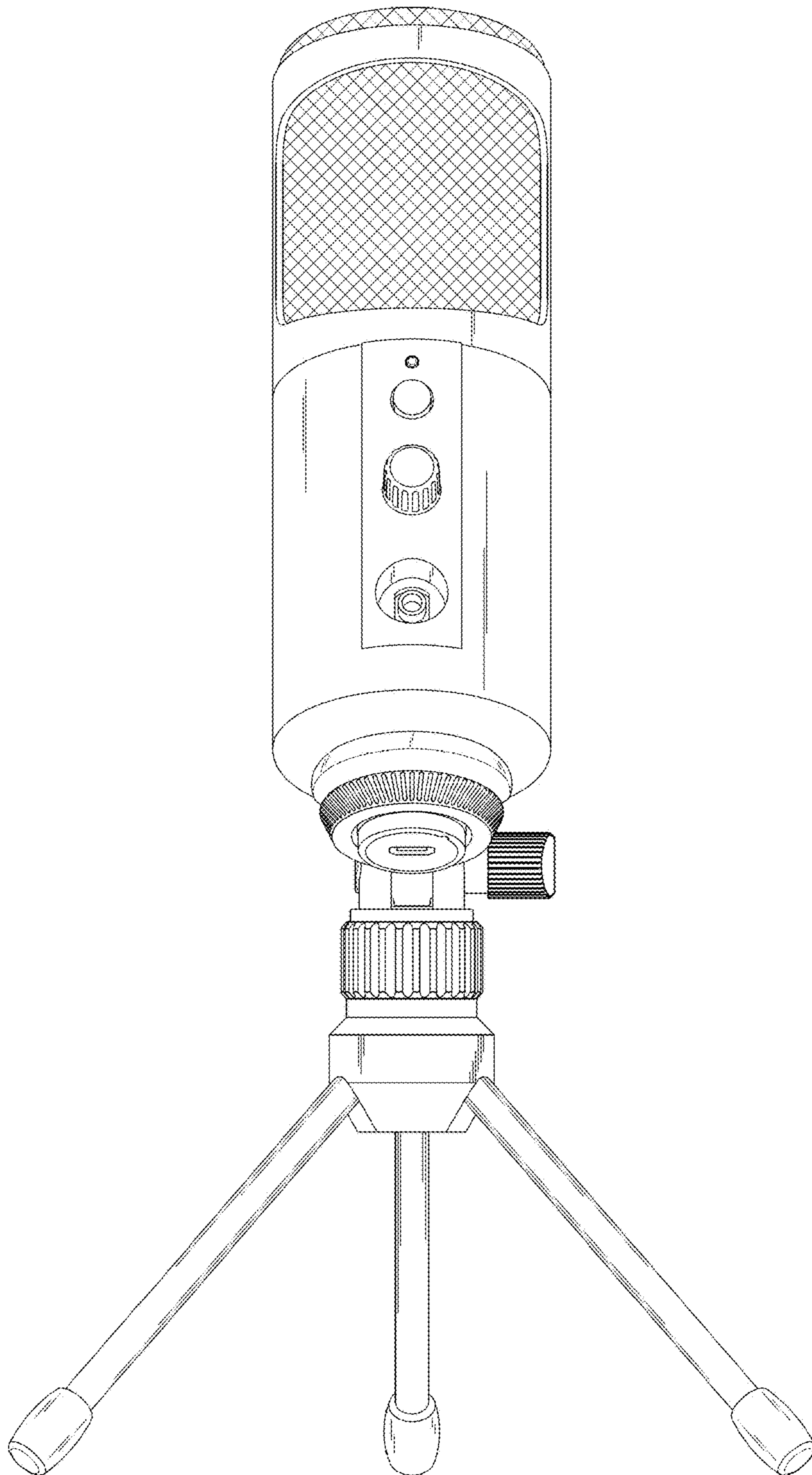


FIG. 1

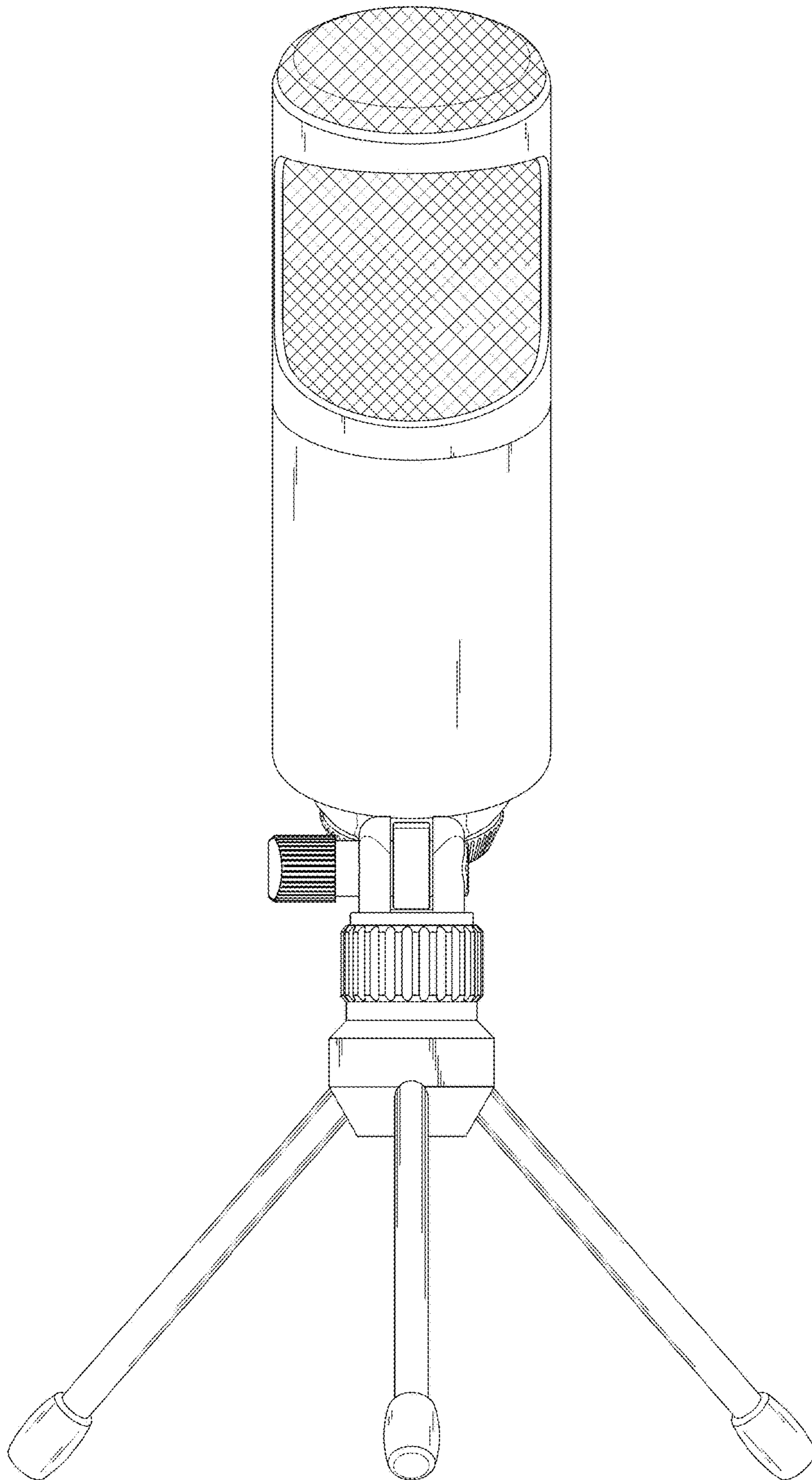


FIG. 2

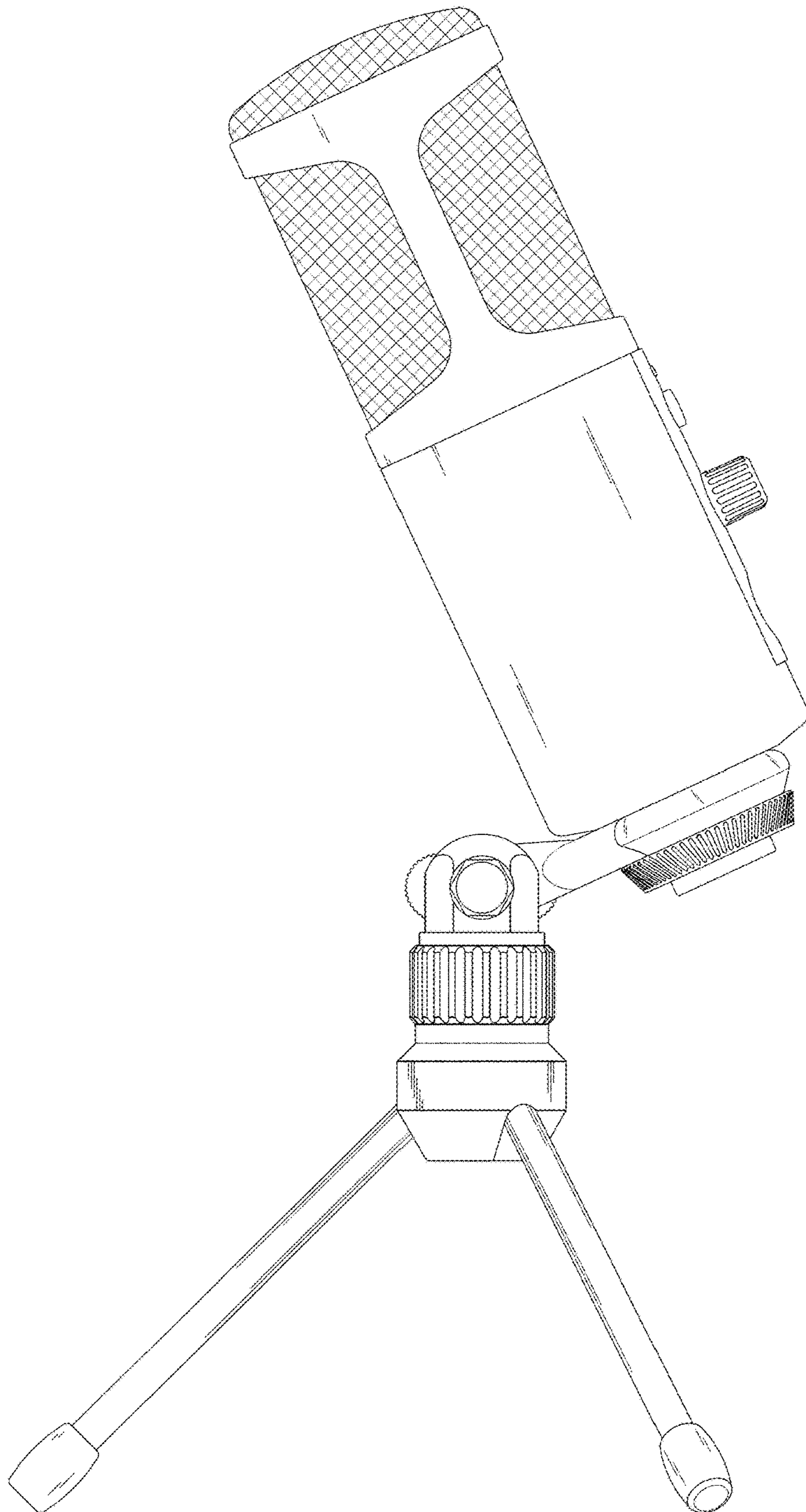


FIG. 3

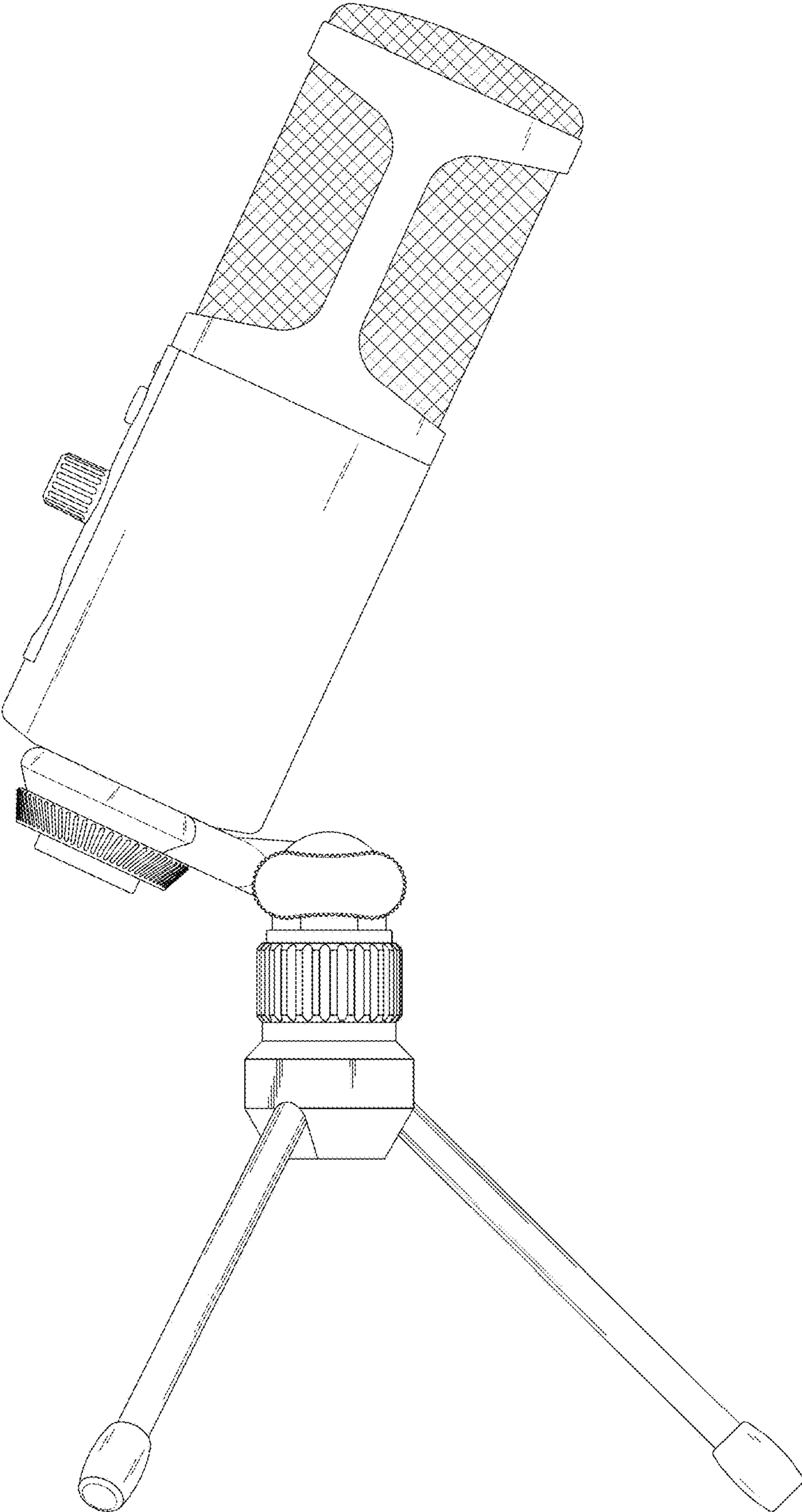


FIG. 4

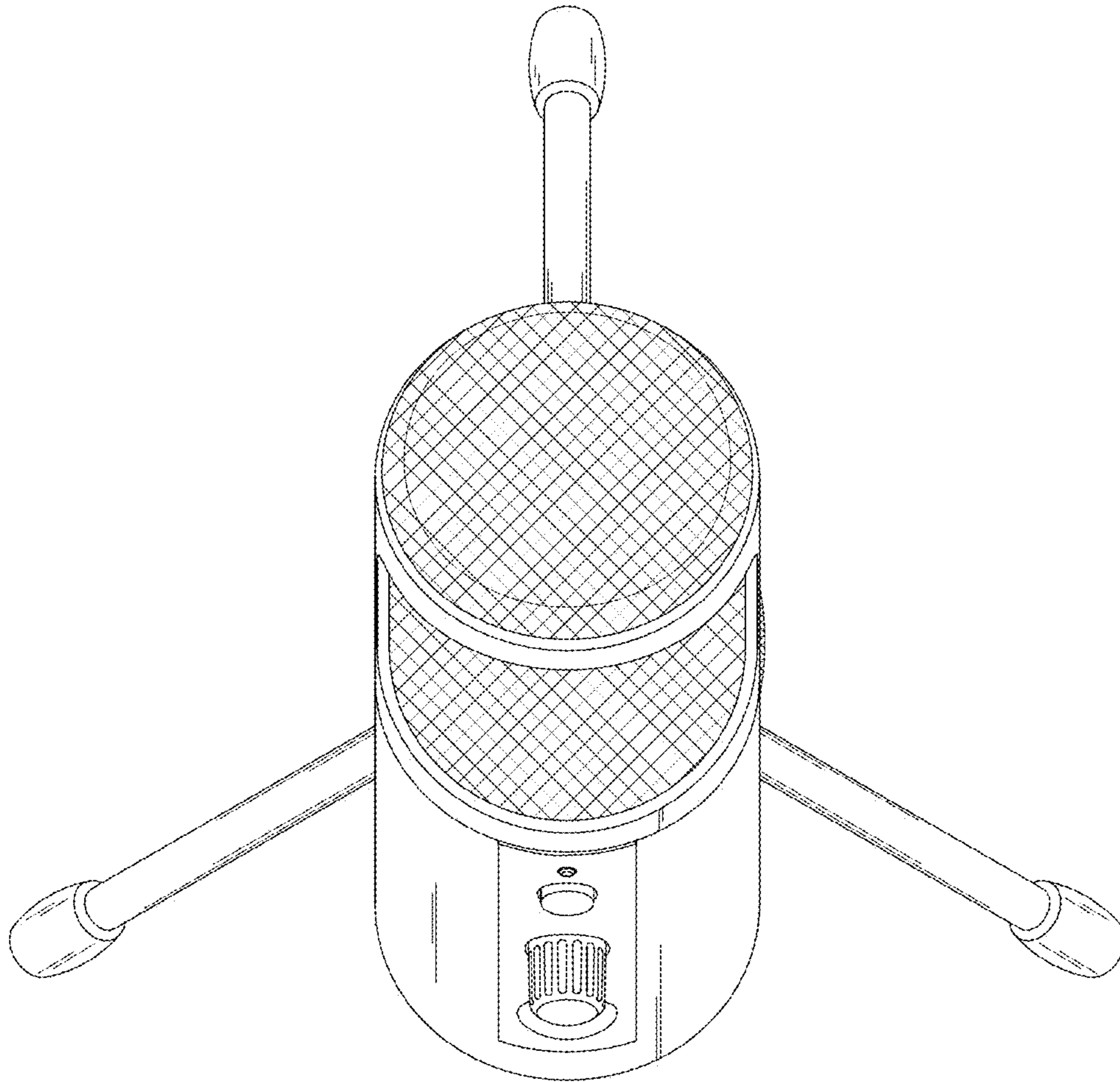


FIG. 5

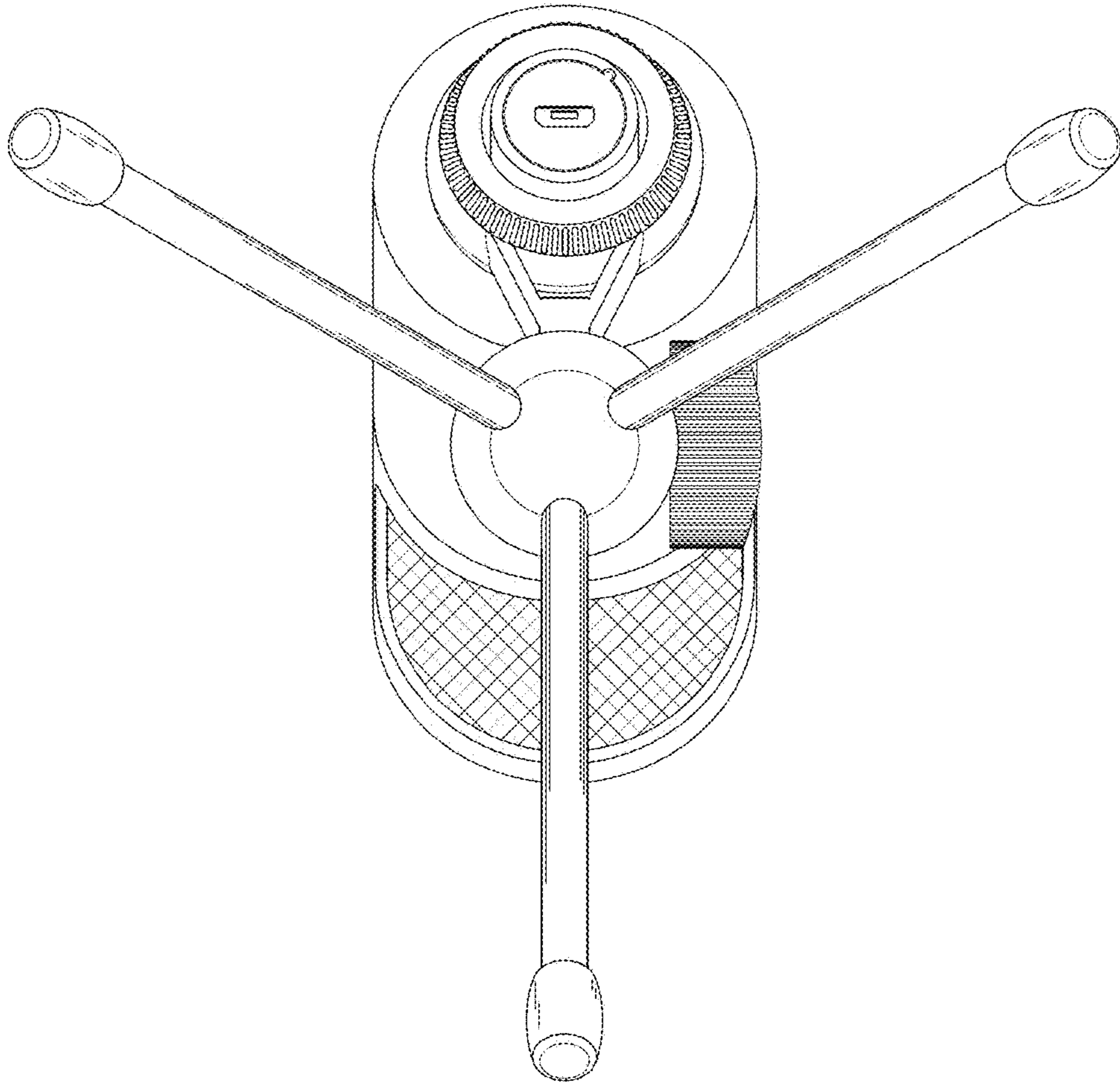


FIG. 6

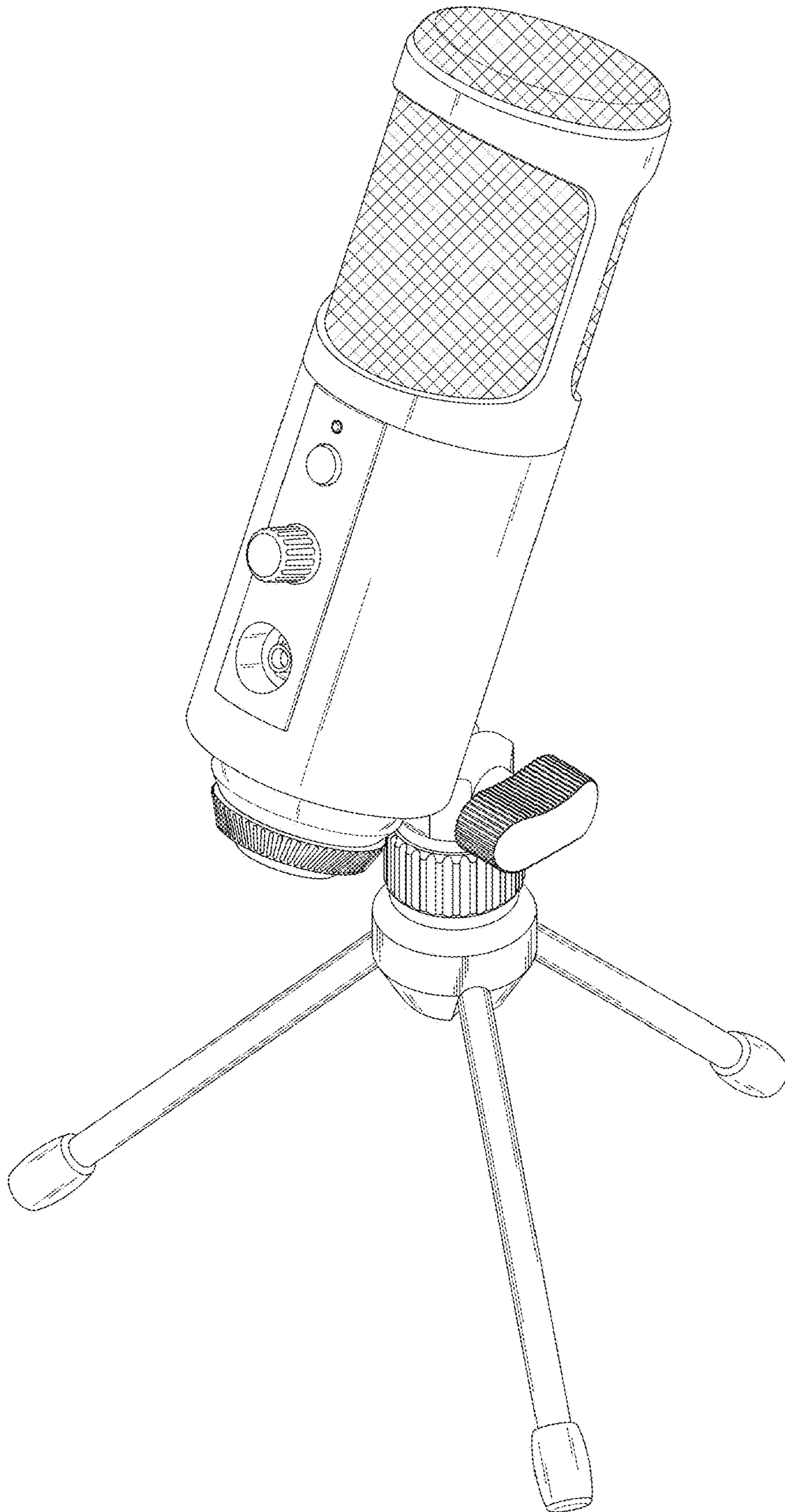


FIG. 7

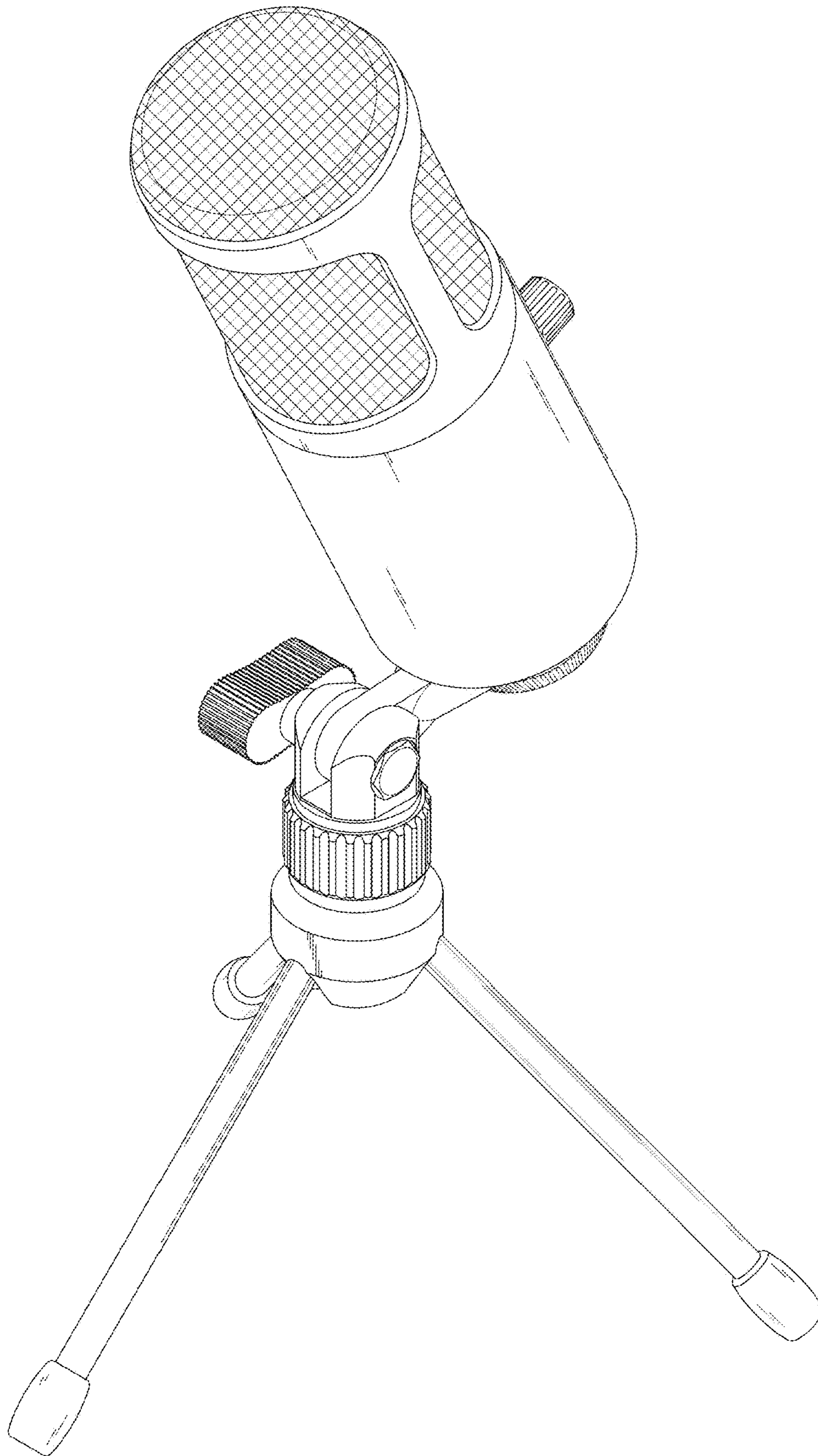


FIG. 8