



US00D849720S

(12) **United States Design Patent** (10) **Patent No.:** **US D849,720 S**  
**Houle** (45) **Date of Patent:** **\*\* May 28, 2019**

- (54) **WIRELESS EARBUD**
- (71) Applicant: **Phazon Inc.**, Shaker Heights, OH (US)
- (72) Inventor: **Christian Houle**, Montreal (CA)
- (73) Assignee: **Phazon Inc.**, Shaker Heights, OH (US)
- (\*\*) Term: **15 Years**
- (21) Appl. No.: **29/613,371**
- (22) Filed: **Aug. 9, 2017**

**Related U.S. Application Data**

- (62) Division of application No. 29/542,981, filed on Oct. 20, 2015, now Pat. No. Des. 797,079.
- (51) **LOC (11) Cl.** ..... **14-01**
- (52) **U.S. Cl.**  
USPC ..... **D14/223**
- (58) **Field of Classification Search**  
USPC ..... D14/223, 205; D24/174; 128/865, 866,  
128/864; 181/129, 130, 135; 381/380,  
381/381, 328, 322, 324, 330, 318, 370,  
381/374; 455/90.3, 575.1, 569.1  
CPC ..... H04R 25/00; H04R 1/10; H04R 25/02;  
H04R 1/1016; H04R 1/1066; H04R  
1/105; H04R 5/033; H04R 5/0335  
See application file for complete search history.

(56) **References Cited**

**U.S. PATENT DOCUMENTS**

- 2,248,837 A 7/1941 Walters
- 2,325,590 A 7/1943 Carlisle
- 2,430,229 A 11/1947 Kelsey
- D153,747 S 5/1949 Anderson
- 2,521,414 A 9/1950 Schier
- D168,240 S \* 11/1952 Rodriguez ..... D11/24
- 2,971,065 A 2/1961 Busse
- 3,061,689 A 10/1962 McCarrell

- 3,137,880 A \* 6/1964 Kubit ..... B05C 17/00  
15/210.1
- D206,665 S 1/1967 Sanzone
- 3,440,365 A 4/1969 Hazell
- 4,063,679 A \* 12/1977 Henry ..... B65D 5/029  
229/108
- 4,069,400 A 1/1978 Johanson
- D251,234 S \* 3/1979 Hakansson ..... D10/46
- D266,271 S 9/1982 Johanson

(Continued)

**FOREIGN PATENT DOCUMENTS**

- JP 2006 222492 A 8/2006
- WO 2006/104981 A2 10/2006

(Continued)

*Primary Examiner* — Paula Allen Greene

(74) *Attorney, Agent, or Firm* — Renner, Otto, Boisselle & Sklar, LLP

(57) **CLAIM**

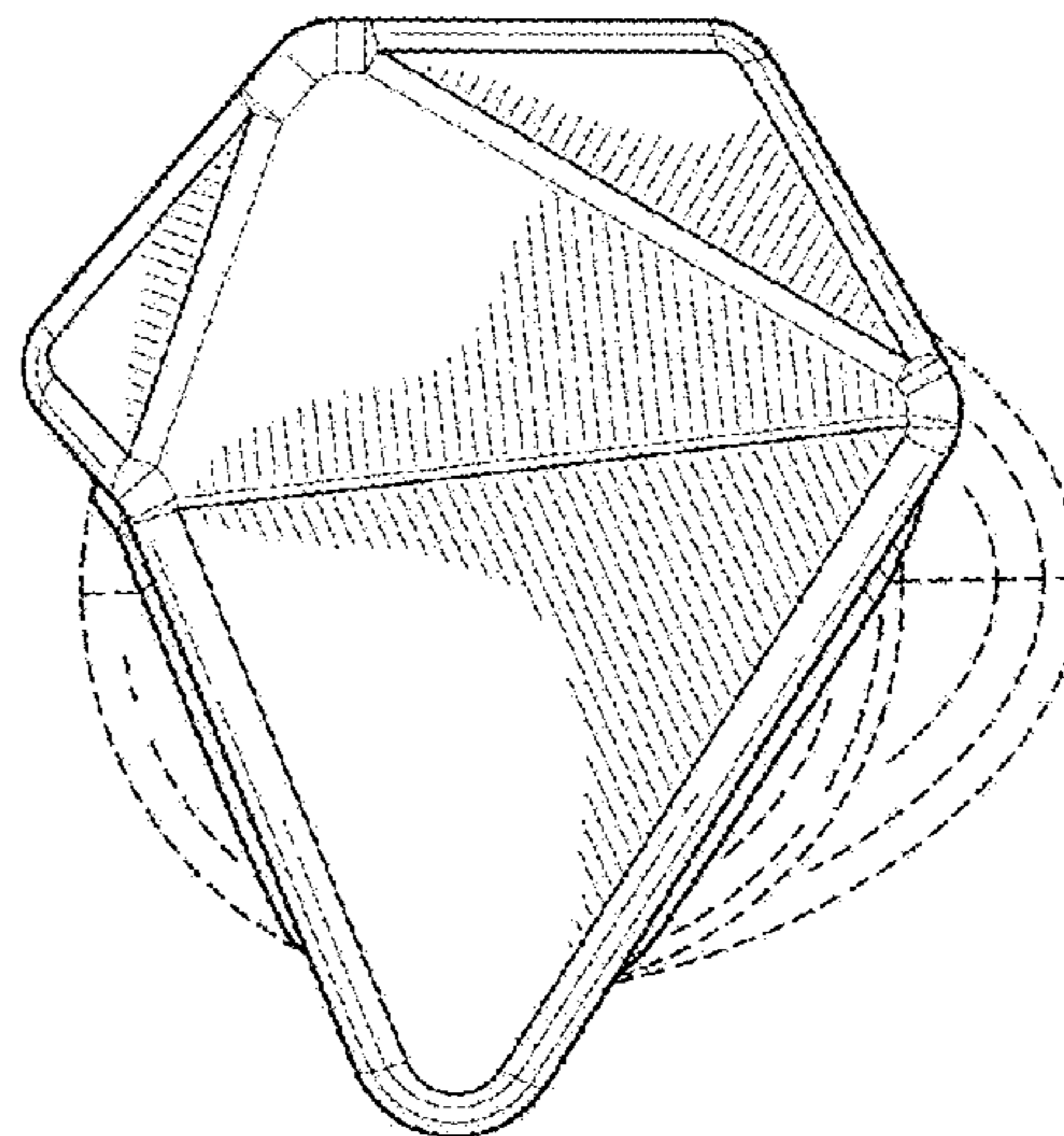
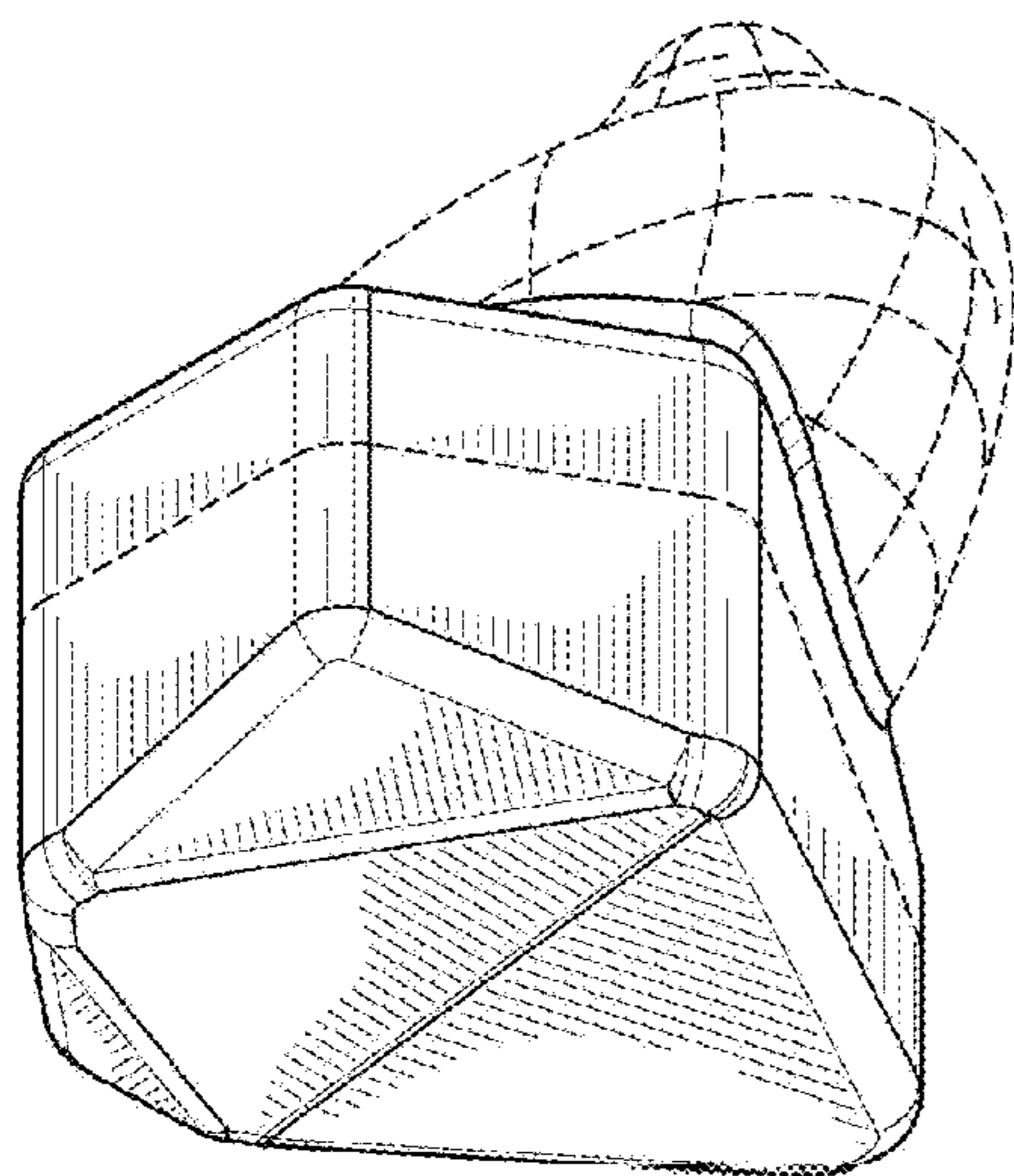
The ornamental design for a wireless earbud, as shown and described.

**DESCRIPTION**

FIG. 1 is a top-rear perspective view of a wireless earbud in accordance with the present invention.  
 FIG. 2 is a bottom-front perspective view thereof;  
 FIG. 3 is a top view thereof;  
 FIG. 4 is a bottom view thereof;  
 FIG. 5 is a front view thereof;  
 FIG. 6 is a rear view thereof;  
 FIG. 7 is a left side view thereof; and,  
 FIG. 8 is a right side view thereof.

The broken line showing that extends around the housing of the wireless earbud is for illustrating an unclaimed seam that forms no part of the claimed design, and all other broken line showings are for the purpose of illustrating portions of the wireless earbud that form no part of the claimed design.

**1 Claim, 3 Drawing Sheets**



(56)

References Cited

U.S. PATENT DOCUMENTS

D276,143 S 10/1984 Williams  
 D287,765 S 1/1987 Topholm  
 D289,040 S 3/1987 Olsen  
 D326,855 S \* 6/1992 Bose ..... D14/205  
 D367,113 S 2/1996 Weeks  
 5,659,156 A 8/1997 Mauney et al.  
 5,692,059 A 11/1997 Kruger  
 D427,994 S 7/2000 Pirelli  
 6,386,314 B1 5/2002 Sheehan  
 D468,301 S 1/2003 Fushimi  
 6,688,421 B2 2/2004 Dyer  
 6,810,987 B1 11/2004 DeKalb  
 6,819,762 B2 11/2004 Jones et al.  
 D519,487 S 4/2006 Knight  
 D550,657 S 9/2007 Gan  
 D559,837 S 1/2008 Nakano  
 7,356,156 B2 4/2008 Rüegg  
 D574,814 S 8/2008 Hammond  
 7,536,008 B2 5/2009 Howes et al.  
 D596,624 S 7/2009 Hong  
 D607,427 S \* 1/2010 Ho ..... D14/138 AA  
 7,708,110 B2 5/2010 Leong et al.  
 D618,219 S 6/2010 Burgett et al.  
 D627,337 S 11/2010 Wu  
 D632,677 S 2/2011 Brown  
 7,916,888 B2 3/2011 Sapiejewski et al.  
 D641,010 S 7/2011 Kwon  
 D641,736 S 7/2011 Brunner  
 8,111,861 B2 2/2012 Lowry  
 8,116,501 B2 2/2012 Kusuda et al.  
 8,121,325 B2 2/2012 Atamaniuk et al.  
 D659,672 S \* 5/2012 Lee ..... D14/205  
 D660,292 S 5/2012 Rautiainen  
 D660,826 S 5/2012 Brunner  
 8,311,253 B2 11/2012 Silvestri et al.  
 D673,531 S 1/2013 Lee  
 D673,532 S 1/2013 Lee  
 D676,026 S 2/2013 Lee  
 8,391,526 B2 3/2013 Dahl  
 8,401,218 B2 3/2013 Son et al.

8,406,447 B2 3/2013 Kromann et al.  
 8,526,657 B2 9/2013 Yanagishita et al.  
 8,548,186 B2 10/2013 Alwicker  
 8,666,102 B2 3/2014 Bruckhoff et al.  
 8,731,228 B2 5/2014 Burgett et al.  
 8,737,669 B2 5/2014 Monahan et al.  
 D711,356 S 8/2014 Yang  
 D711,623 S \* 8/2014 Kaufman ..... D1/199  
 8,873,786 B2 10/2014 Larsen et al.  
 D716,769 S \* 11/2014 Lee ..... D14/223  
 D719,139 S 12/2014 Henry  
 8,976,995 B2 3/2015 Berg  
 8,989,426 B2 3/2015 Silvestri et al.  
 D735,169 S 7/2015 Shieh  
 9,088,846 B2 7/2015 Blanchard  
 9,106,996 B2 8/2015 Burgett et al.  
 D764,445 S 8/2016 Czaniecki  
 D797,079 S \* 9/2017 Houle ..... D14/223  
 D798,843 S \* 10/2017 Valenzuela ..... D14/223  
 D799,451 S \* 10/2017 Ball ..... D14/223  
 D822,008 S \* 7/2018 Tsubone ..... D14/223  
 2006/0050912 A1 3/2006 Kidd  
 2006/0067556 A1 3/2006 Bailey et al.  
 2007/0253587 A1 11/2007 Ostrowski  
 2008/0013774 A1 1/2008 Hosaka et al.  
 2008/0025539 A1 1/2008 Bailey et al.  
 2008/0144877 A1 6/2008 Ham et al.  
 2011/0002498 A1 1/2011 Wong et al.  
 2011/0155147 A1 6/2011 McIntosh  
 2011/0255729 A1 10/2011 Tan et al.  
 2012/0027242 A1 2/2012 Son et al.  
 2012/0039500 A1 2/2012 Silvestri et al.  
 2012/0087532 A1 4/2012 Yang  
 2012/0155692 A1 6/2012 Chen  
 2013/0177193 A1 7/2013 Orzel et al.  
 2013/0343595 A1 12/2013 Zorkendorfer et al.  
 2014/0211977 A1 7/2014 Armstrong

FOREIGN PATENT DOCUMENTS

WO 2010/127265 A2 11/2010  
 WO WO 2016/130641 \* 8/2016 ..... H04R 1/10

\* cited by examiner

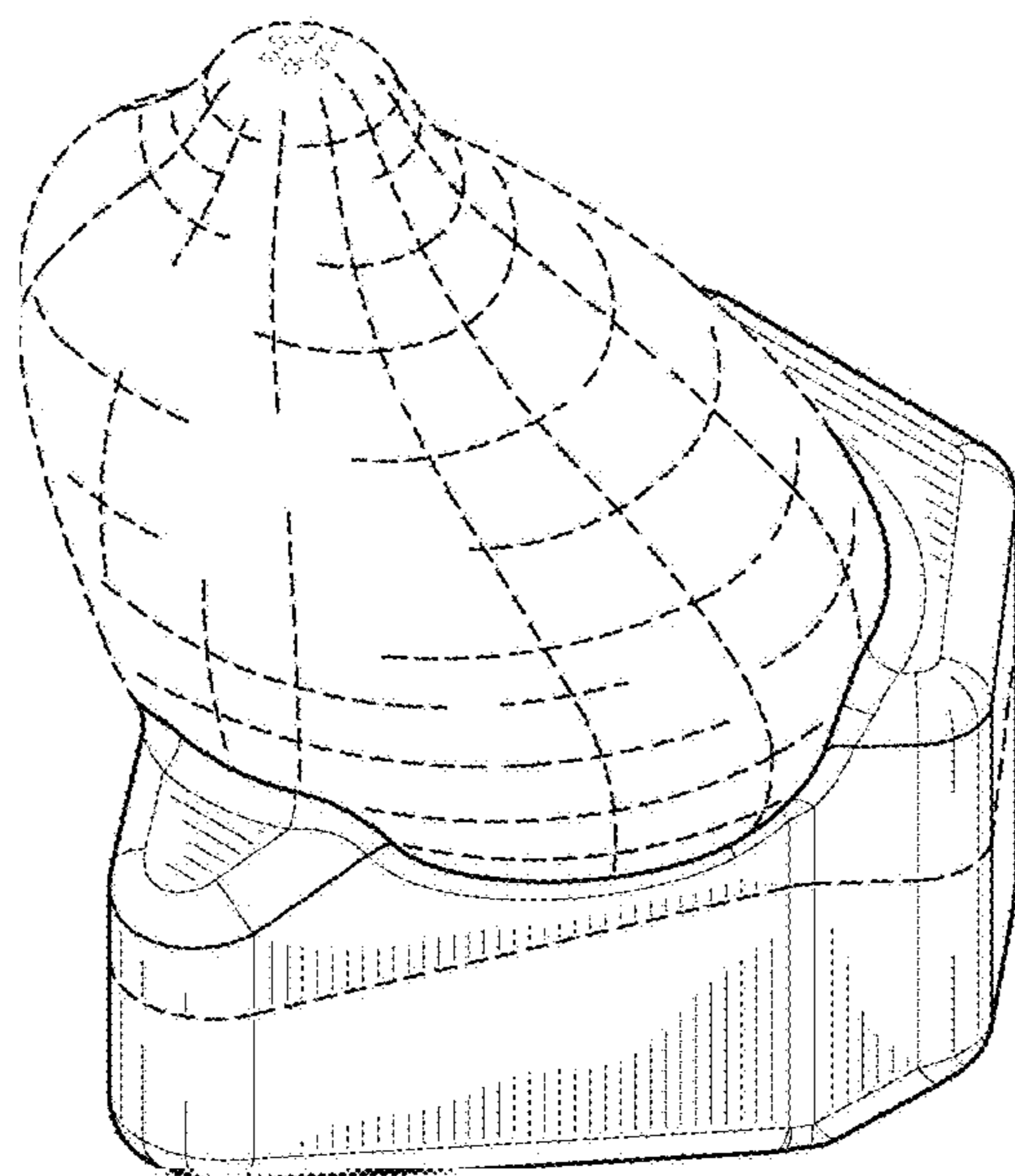


FIG. 1

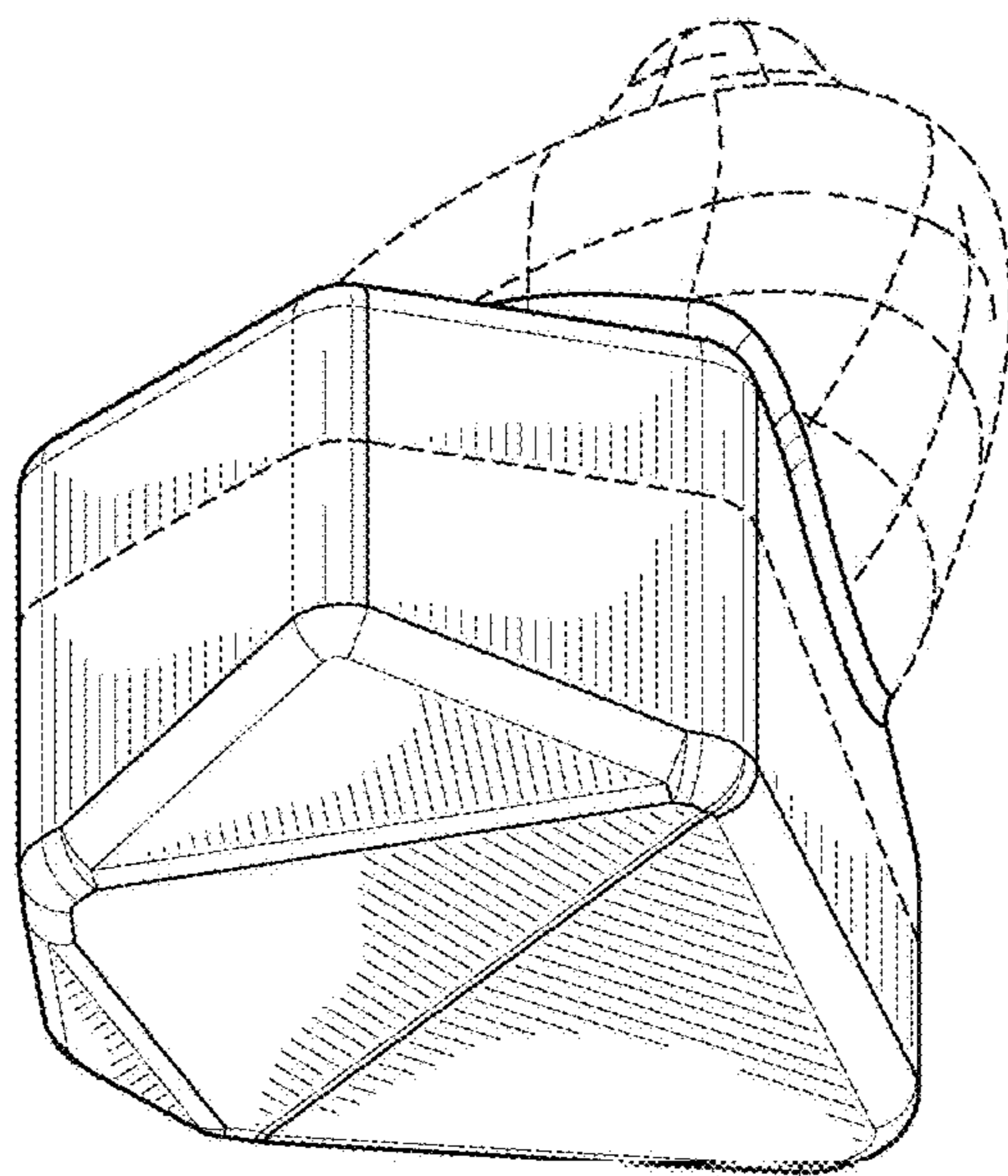


FIG. 2

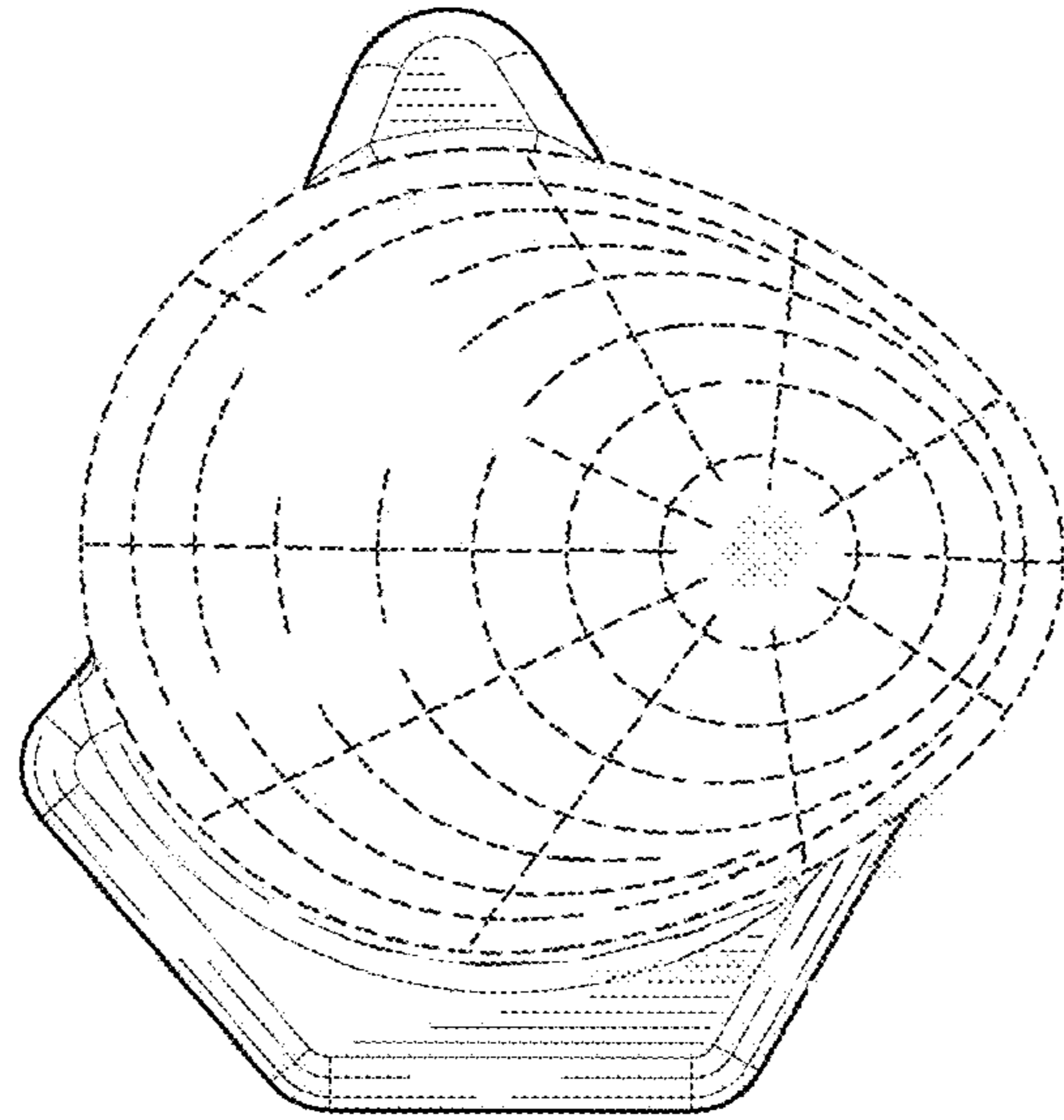


FIG. 3

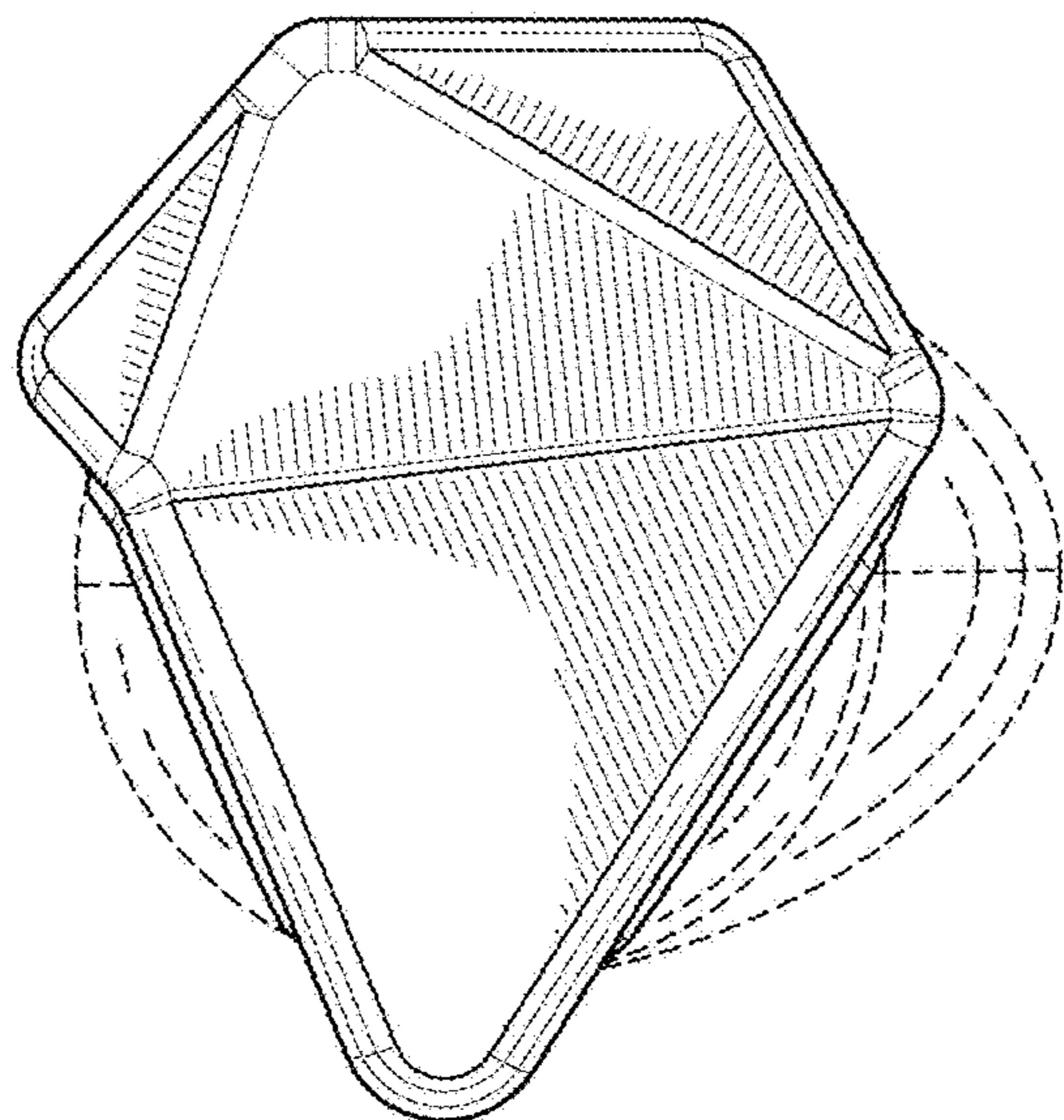


FIG. 4

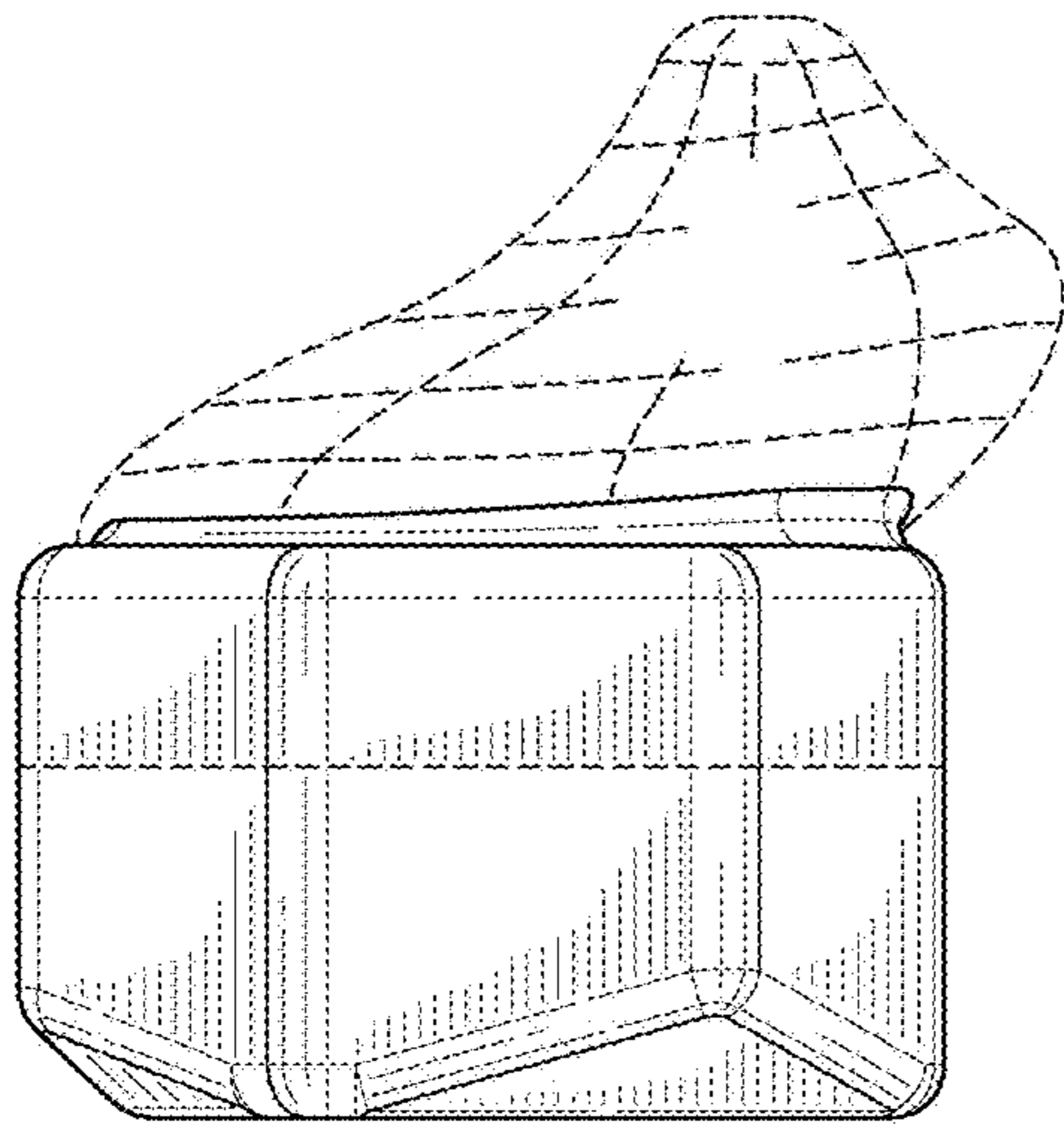


FIG. 5

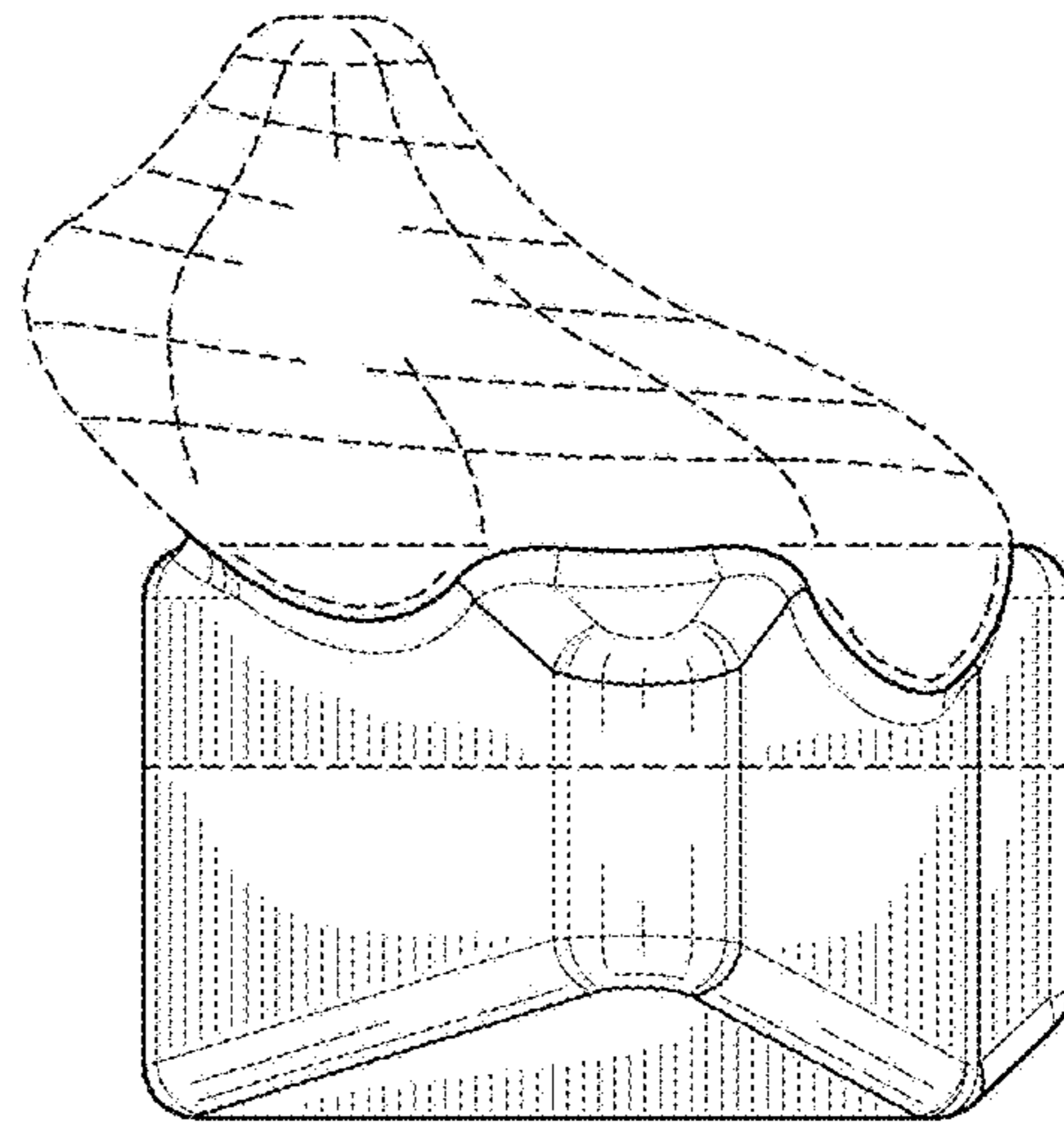


FIG. 6

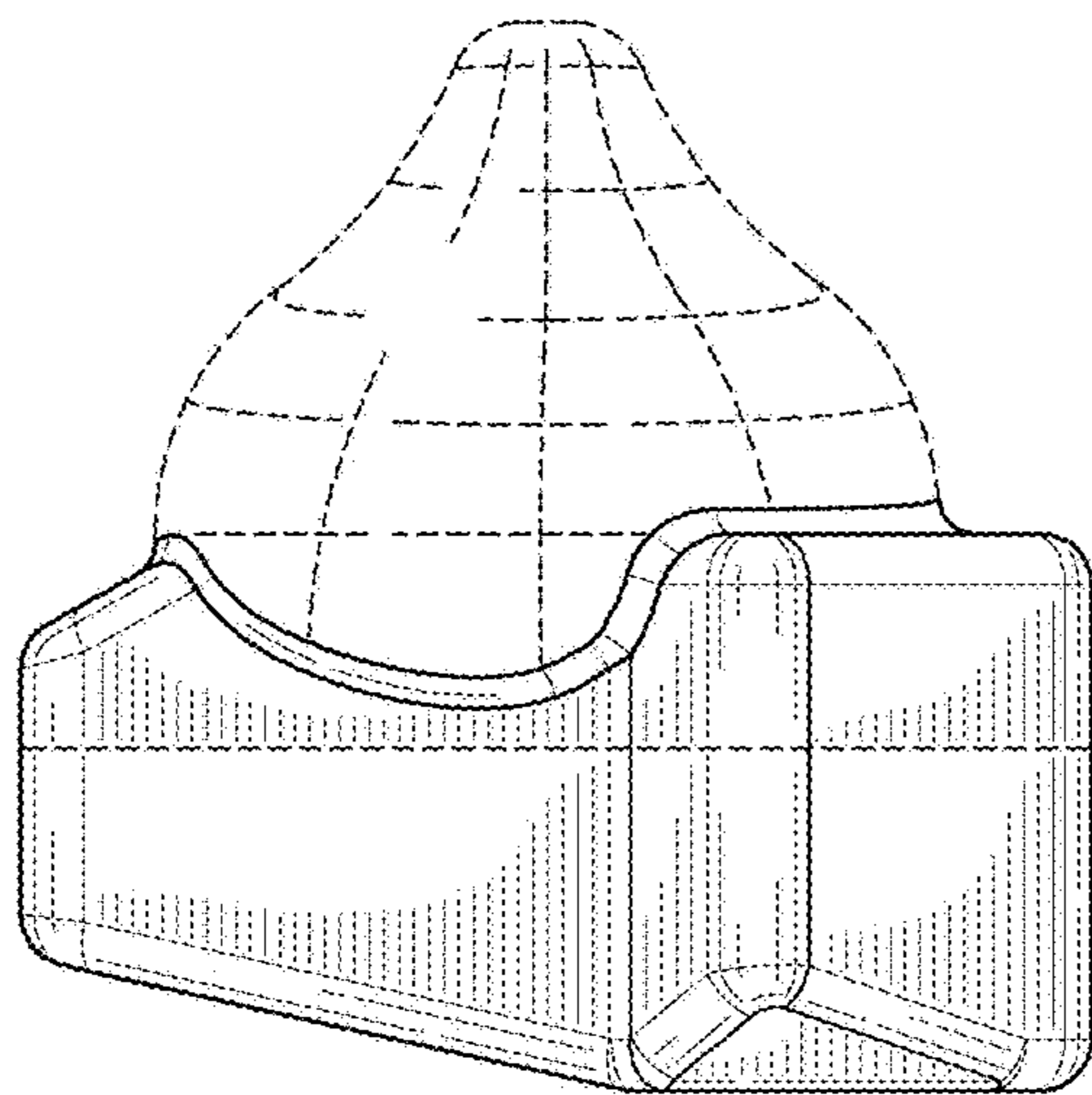


FIG. 7

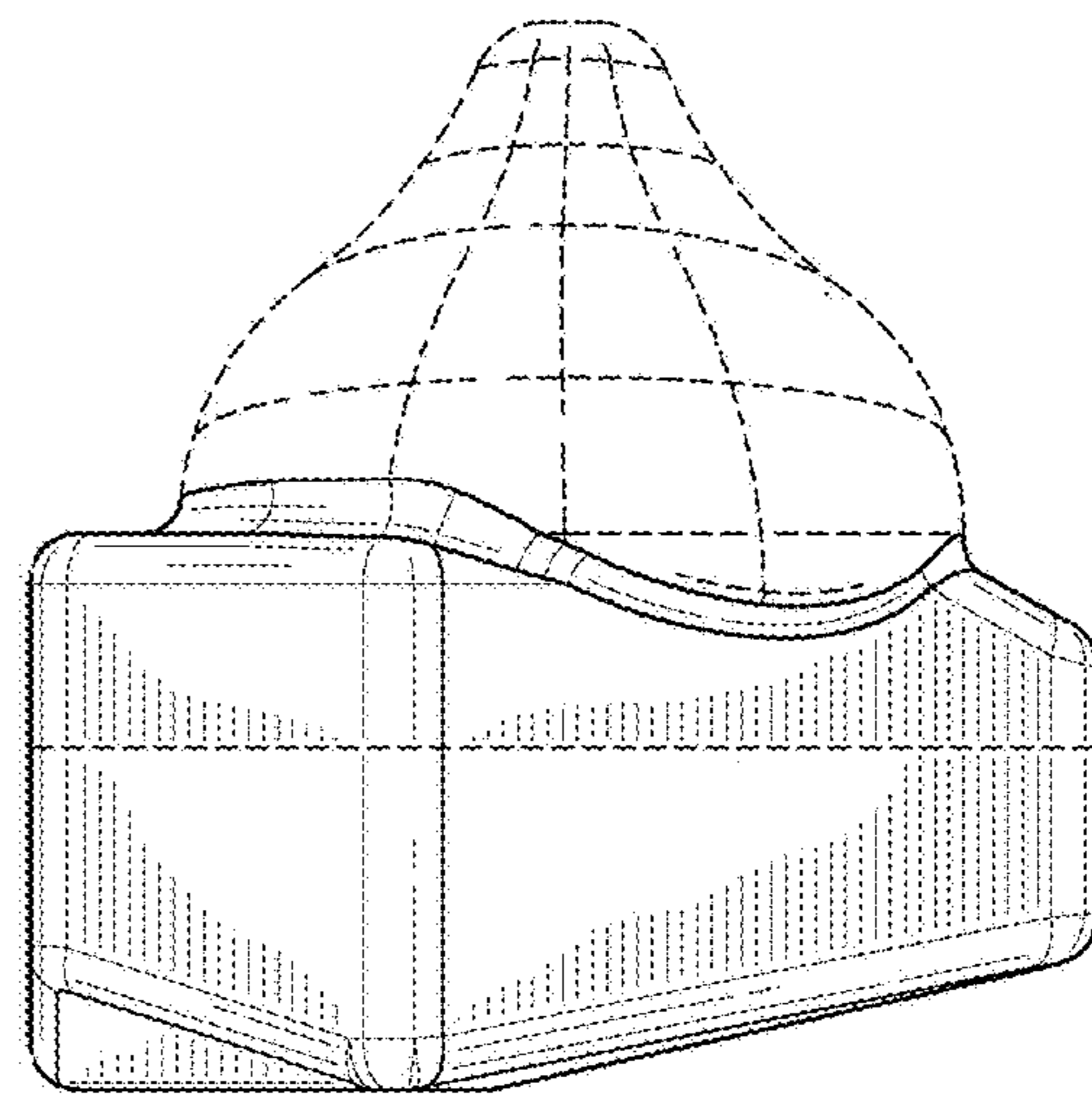


FIG. 8