



US00D849719S

(12) **United States Design Patent** (10) **Patent No.:** **US D849,719 S**
Branscomb et al. (45) **Date of Patent:** **** May 28, 2019**

(54) **HOLDER**

(71) Applicant: **3M INNOVATIVE PROPERTIES COMPANY**, St. Paul, MN (US)

(72) Inventors: **Matt R. Branscomb**, Lakeville, MN (US); **Jacob T. Lusson**, Richfield, MN (US); **Daniel J. Tipping**, St. Paul, MN (US); **Willem V. Bastiaens**, Scandia, MN (US)

(73) Assignee: **3M INNOVATIVE PROPERTIES COMPANY**, St. Paul, MN (US)

(**) Term: **15 Years**

(21) Appl. No.: **29/665,220**

(22) Filed: **Oct. 1, 2018**

(51) **LOC (11) Cl.** **14-03**

(52) **U.S. Cl.**
USPC **D14/217**

(58) **Field of Classification Search**
 USPC D14/217, 250–251, 496; D9/415, 418, D9/424
 CPC B32B 2307/202; B32B 2307/212; B32B 2457/08; B32B 37/12; B32B 7/12; H04M 1/03; H04M 1/05; H04M 1/6058; H04M 1/658; H04M 1/7253; H04M 1/72552; H04M 2203/4509; H04M 2250/02; H04M 2250/06; H04M 2250/12; H04M 3/5307; H04M 3/53325; H04M 7/0042

See application file for complete search history.

(56) **References Cited**

U.S. PATENT DOCUMENTS

D350,893 S *	9/1994	Sinanis	D14/250
D592,189 S *	5/2009	Corsini	D14/217
D603,840 S *	11/2009	Lee	D14/217
D637,583 S *	5/2011	Beal	D14/217
D666,995 S *	9/2012	TerMeer	D14/217
D684,144 S *	6/2013	Palance	D14/217
D701,387 S *	3/2014	Tangen	D3/273
D701,755 S *	4/2014	Fathollahi	D9/415
D762,465 S *	8/2016	Popper	D9/415
D805,890 S *	12/2017	Hong	D9/415
D818,820 S *	5/2018	Yuan	D9/424

* cited by examiner

Primary Examiner — Khawaja Anwar

(74) *Attorney, Agent, or Firm* — Irina Hass

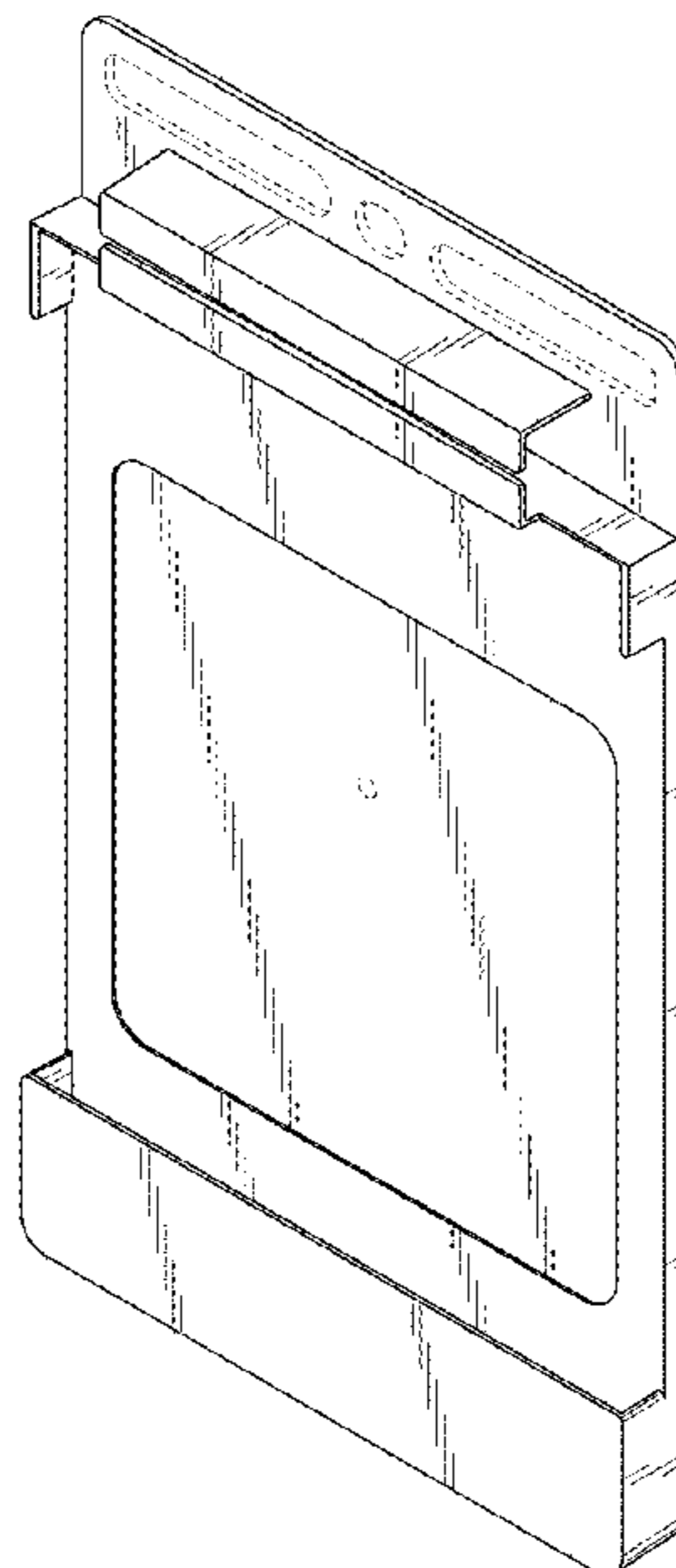
(57) **CLAIM**

The ornamental design for a holder, as shown and described.

DESCRIPTION

FIG. 1 is a perspective view showing the new design for a holder;
 FIG. 2 is a front view thereof;
 FIG. 3 is a left side view thereof, a right side view being a mirror image thereof;
 FIG. 4 is a rear view thereof;
 FIG. 5 is a top view thereof; and,
 FIG. 6 is a bottom view thereof.
 The portions of the holder in FIGS. 1, 2, 4, and 6 shown in broken lines are included to show features that form no part of the claimed design.

1 Claim, 4 Drawing Sheets



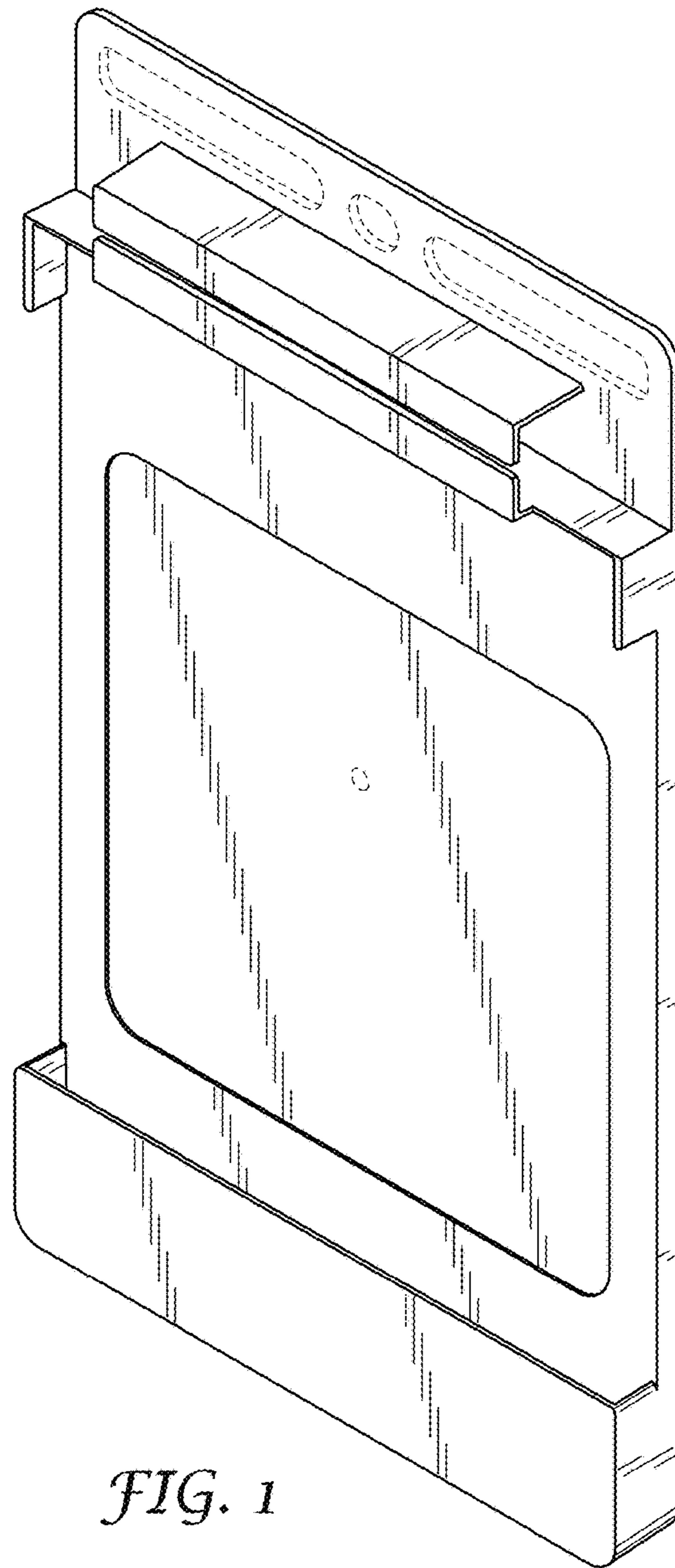


FIG. 1

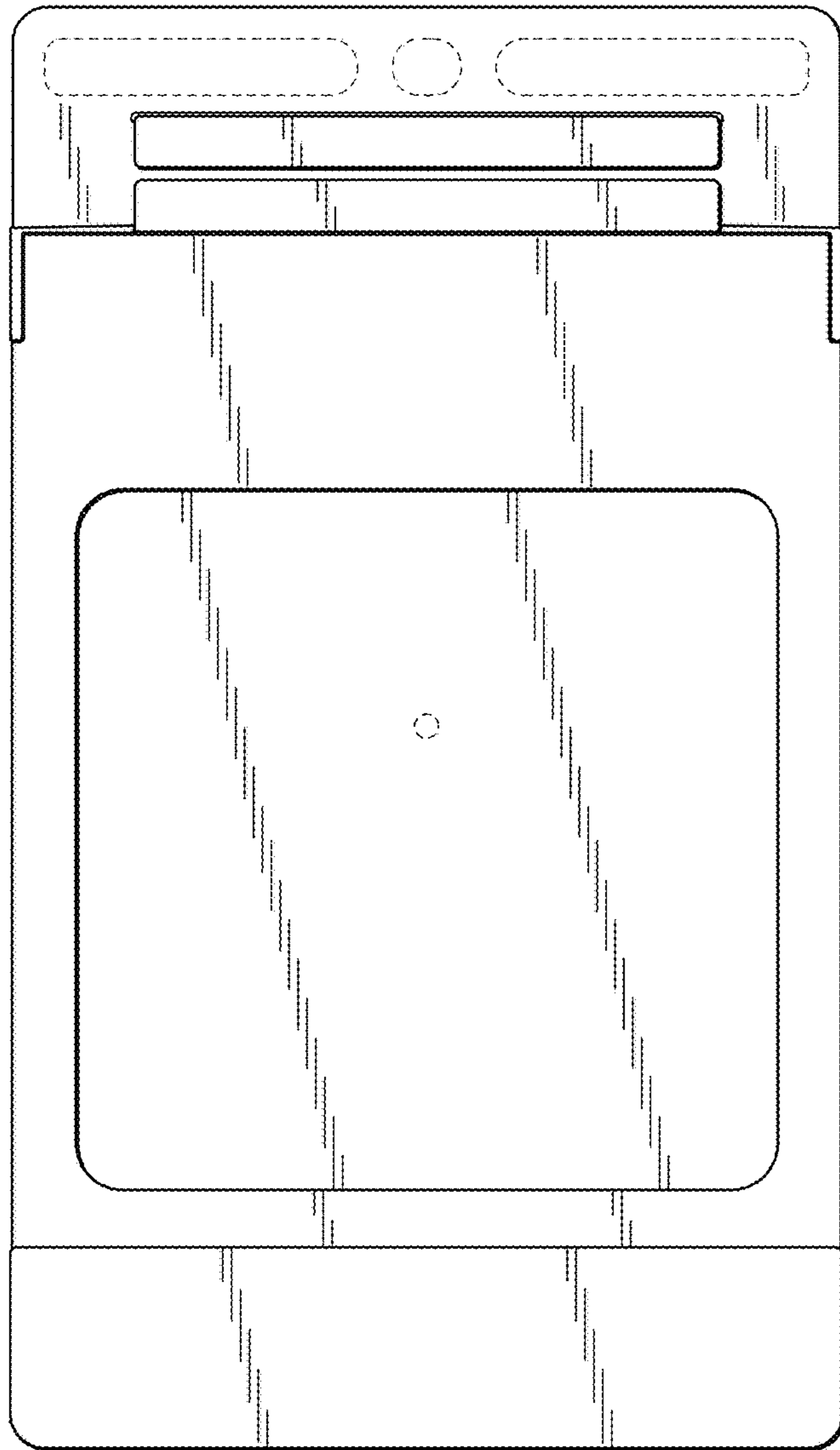


FIG. 2



FIG. 3

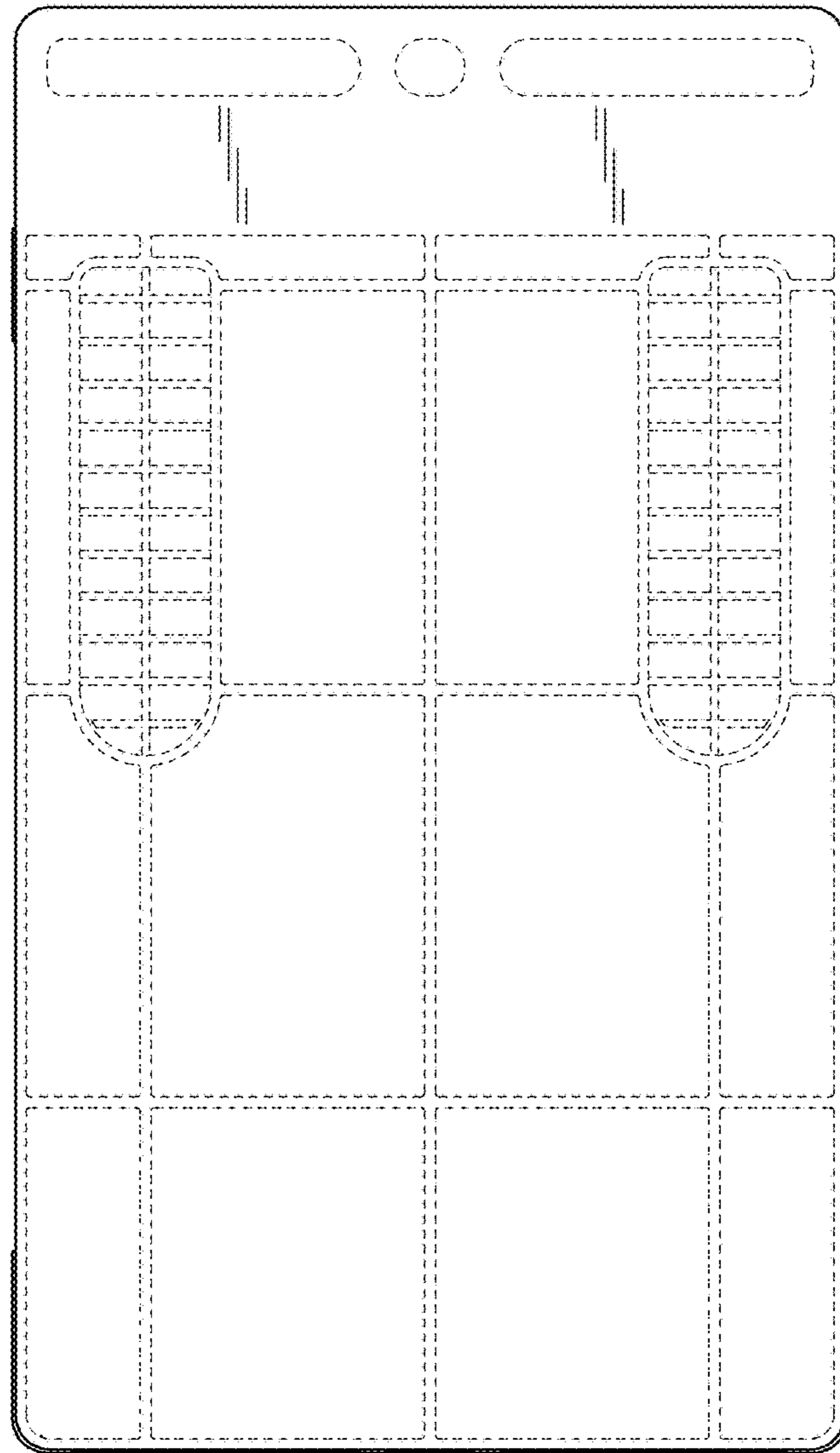


FIG. 4



FIG. 5



FIG. 6