



US00D849715S

(12) **United States Design Patent** (10) **Patent No.:** **US D849,715 S**  
**Bantle et al.** (45) **Date of Patent:** **\*\* May 28, 2019**

(54) **LOUDSPEAKER**

(56) **References Cited**

(71) Applicant: **Porsche Lizenz-und  
Handelsgesellschaft mbH & Co. KG,**  
Ludwigsburg (DE)

U.S. PATENT DOCUMENTS

(72) Inventors: **Christoph Bantle,** Ludwigsburg (DE);  
**Robert Deininger,** Hamburg (DE)

|              |         |                    |         |
|--------------|---------|--------------------|---------|
| D266,409 S * | 10/1982 | Hoese .....        | D12/114 |
| D515,553 S * | 2/2006  | Tragatschnig ..... | D14/188 |
| D585,423 S * | 1/2009  | Yoneda .....       | D14/216 |
| D585,424 S * | 1/2009  | Yoneda .....       | D14/216 |
| D587,245 S * | 2/2009  | Morra .....        | D14/215 |
| D625,288 S * | 10/2010 | Ueda .....         | D14/168 |
| D729,202 S * | 5/2015  | Shin .....         | D14/215 |
| D729,203 S * | 5/2015  | Bongkun .....      | D14/215 |
| D754,093 S * | 4/2016  | Cho .....          | D14/188 |
| D755,754 S * | 5/2016  | Schwartz .....     | D14/212 |
| D774,018 S * | 12/2016 | Puffer .....       | D14/215 |
| D780,716 S * | 3/2017  | Ridder .....       | D14/204 |

(73) Assignee: **Porsche Lizenz—und  
Handelsgesellschaft mbH & Co. KG**  
(DE)

(Continued)

(\*\*) Term: **15 Years**

(21) Appl. No.: **29/593,341**

(22) Filed: **Feb. 8, 2017**

(30) **Foreign Application Priority Data**

Sep. 6, 2016 (EM) ..... 001452437

(51) **LOC (11) Cl.** ..... **14-03**

(52) **U.S. Cl.**  
USPC ..... **D14/210; D14/204; D14/215**

(58) **Field of Classification Search**  
USPC ..... D14/167, 168, 170–172, 188, 194–196,  
D14/204, 209.1, 210–216, 219, 221, 222,  
D14/224, 239, 496

CPC ..... B60R 11/0217; G06F 1/1688; G10K 9/22;  
G10K 11/004; H03F 1/327; H04M 1/03;  
H04M 1/035; H04N 5/642; H04N  
21/4852; H04R 1/02; H04R 1/06; H04R  
1/021; H04R 1/025; H04R 1/026; H04R  
1/028; H04R 1/105; H04R 1/323; H04R  
1/403; H04R 1/2803; H04R 1/2834;  
H04R 5/02; H04R 7/20; H04R 9/06;  
H04R 9/025; H04R 2201/021; H04R  
2400/00; H04R 2400/07; H04R 2499/11;  
H04R 2499/13; H04R 2499/15; H04S  
3/00; H04S 7/30

See application file for complete search history.

OTHER PUBLICATIONS

Design U.S. Appl. No. 29/535,437, by Christian Ridder, filed Aug. 6, 2015.

*Primary Examiner* — Keli L Hill

(74) *Attorney, Agent, or Firm* — RatnerPrestia

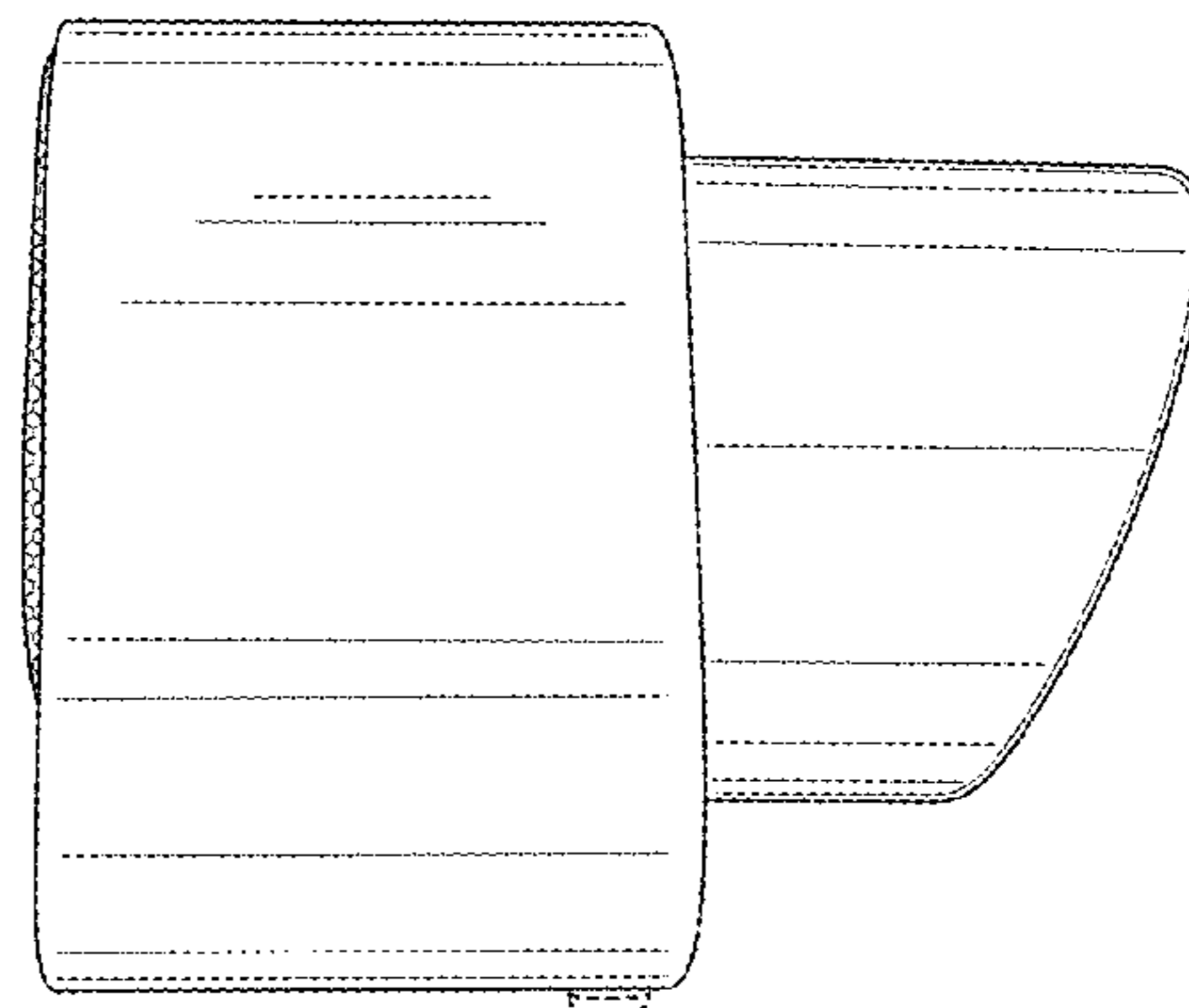
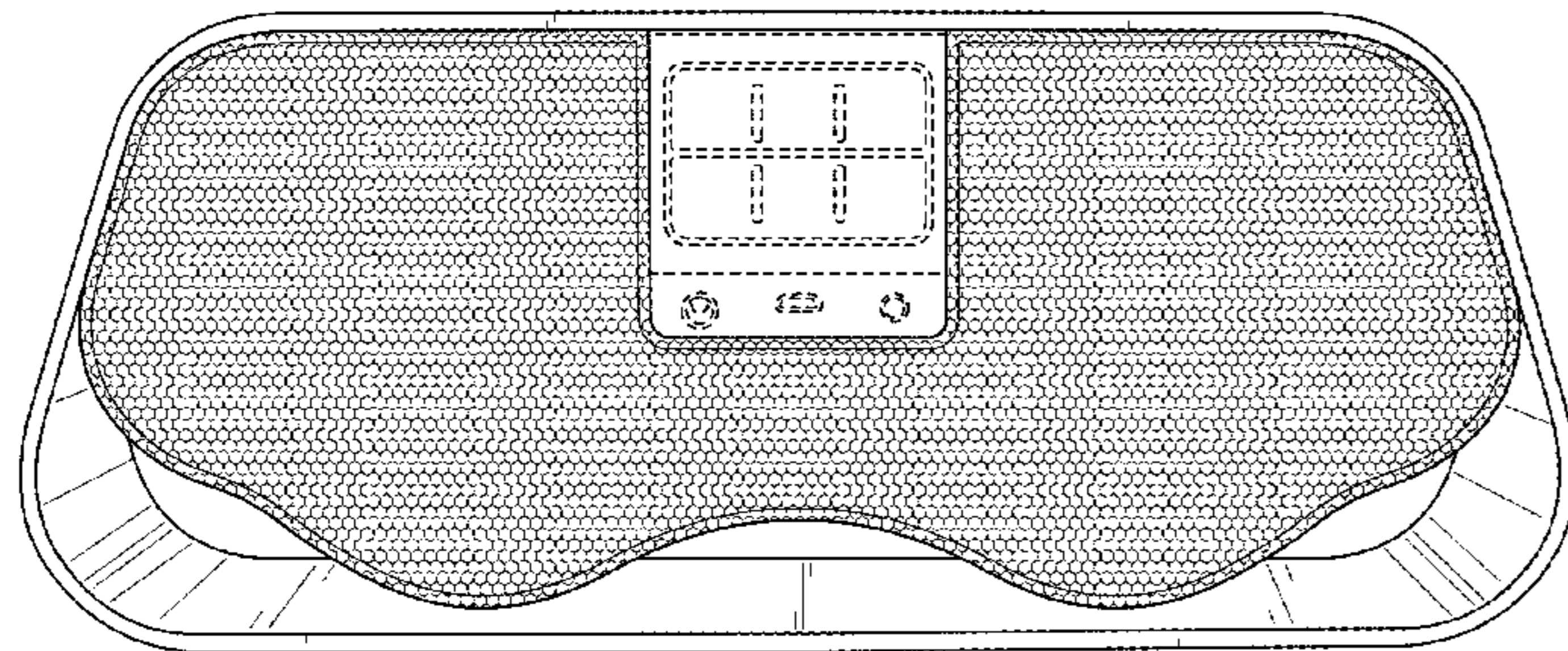
(57) **CLAIM**

The ornamental design for a loudspeaker, as shown and described.

**DESCRIPTION**

FIG. 1 is a front elevation view of a loudspeaker; FIG. 2 is a left elevation view thereof, the right side elevation view being a mirror image thereof; FIG. 3 is a rear elevation view thereof; FIG. 4 is a bottom plan view thereof; and, FIG. 5 is a top plan view thereof. The bottom of the loudspeaker is devoid of ornamentation. The broken line showing of the loudspeaker is for the purpose of illustrating portions of the loudspeaker and forms no part of the claimed design.

**1 Claim, 5 Drawing Sheets**



(56)

**References Cited**

U.S. PATENT DOCUMENTS

D795,216 S \* 8/2017 Poandl ..... D14/170  
D835,601 S \* 12/2018 Cheney ..... D14/204

\* cited by examiner



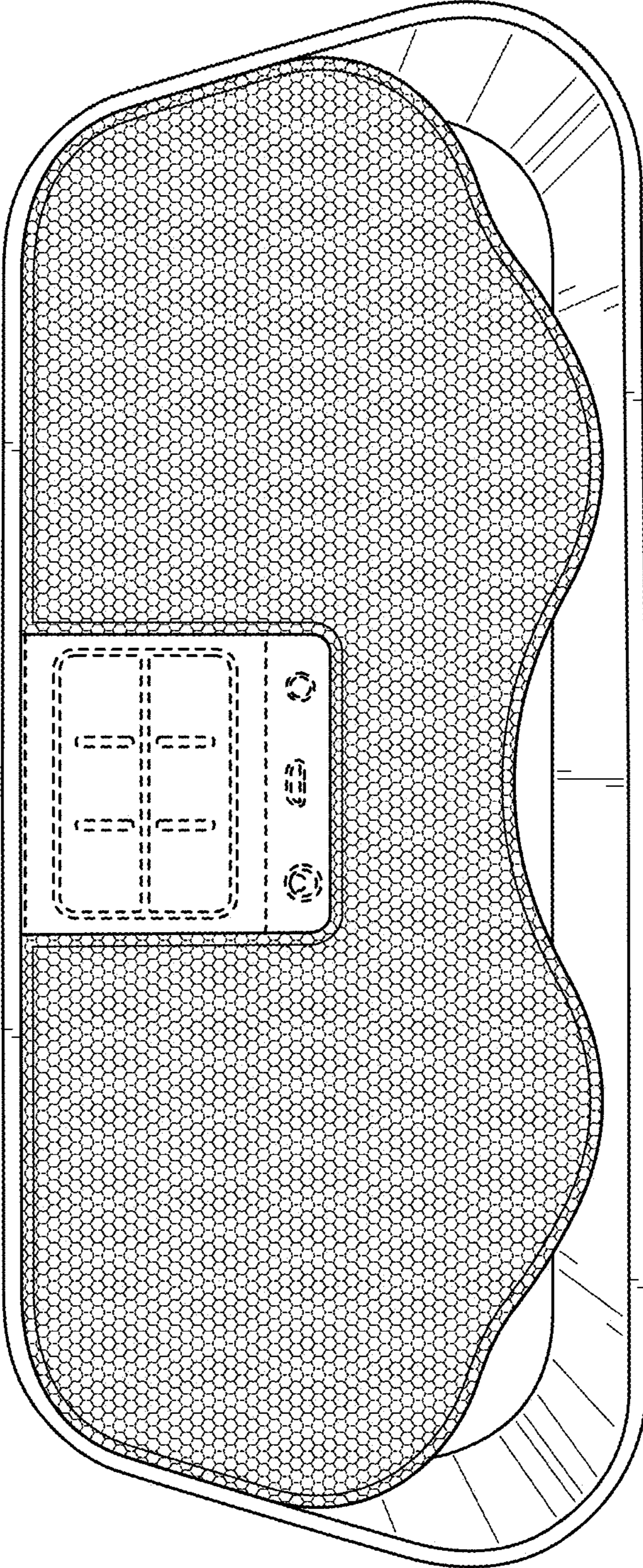


FIG. 1

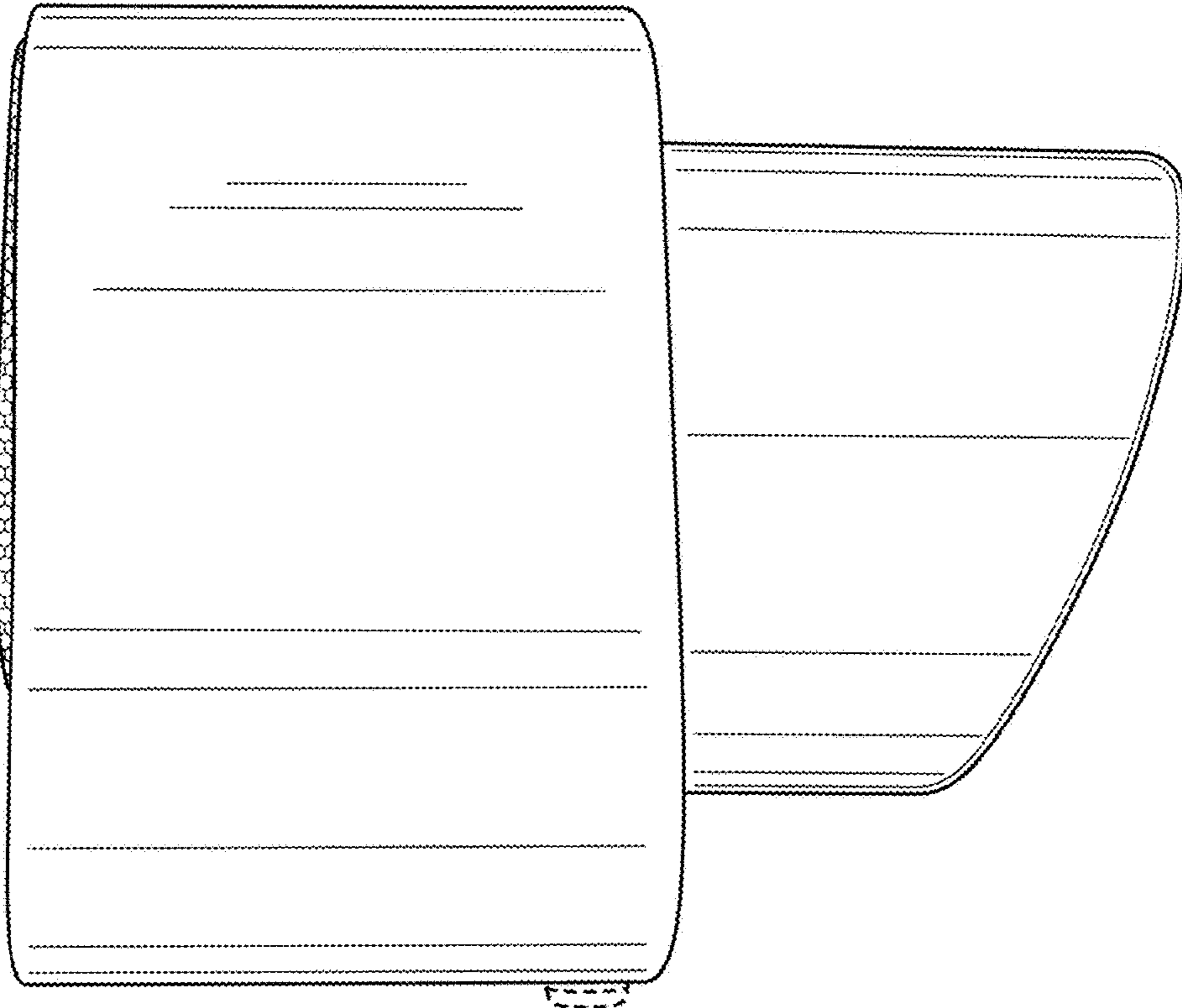


FIG. 2



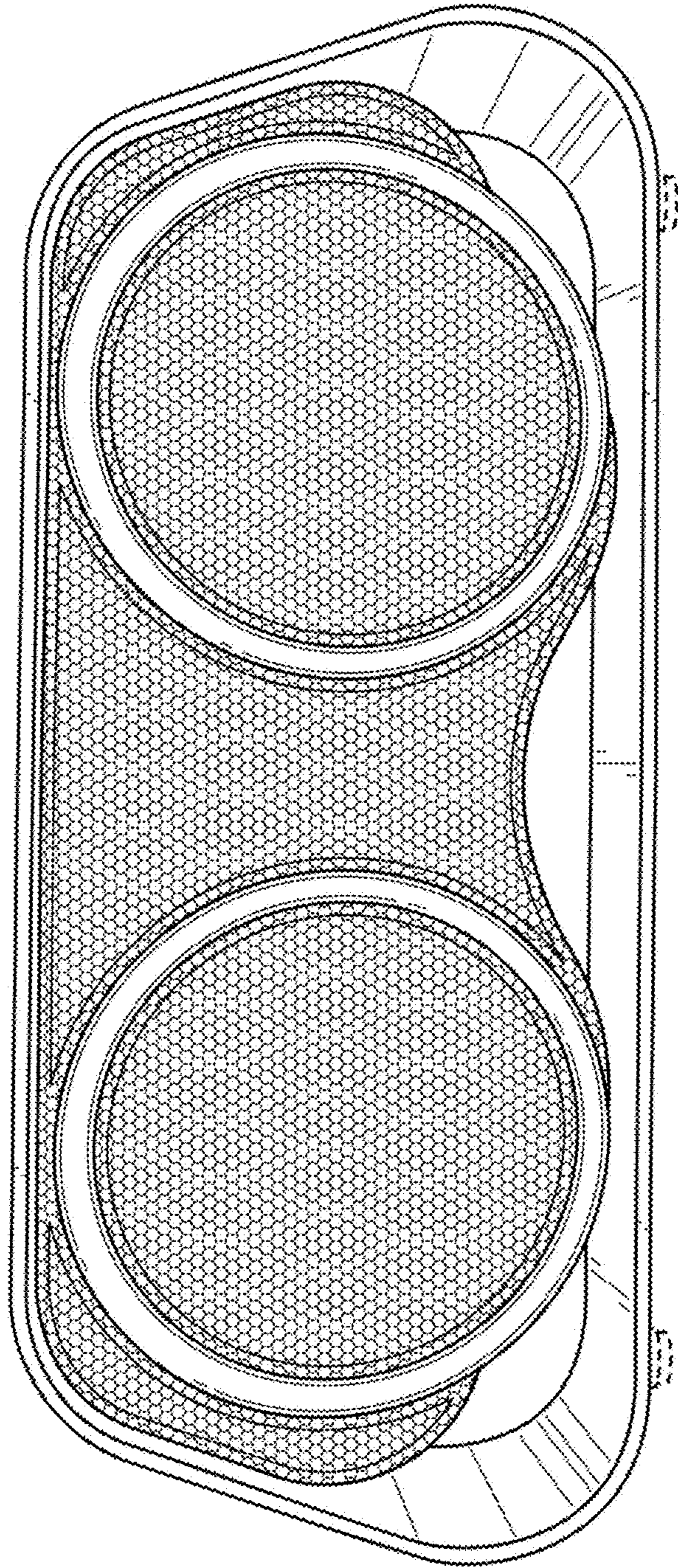


FIG. 3

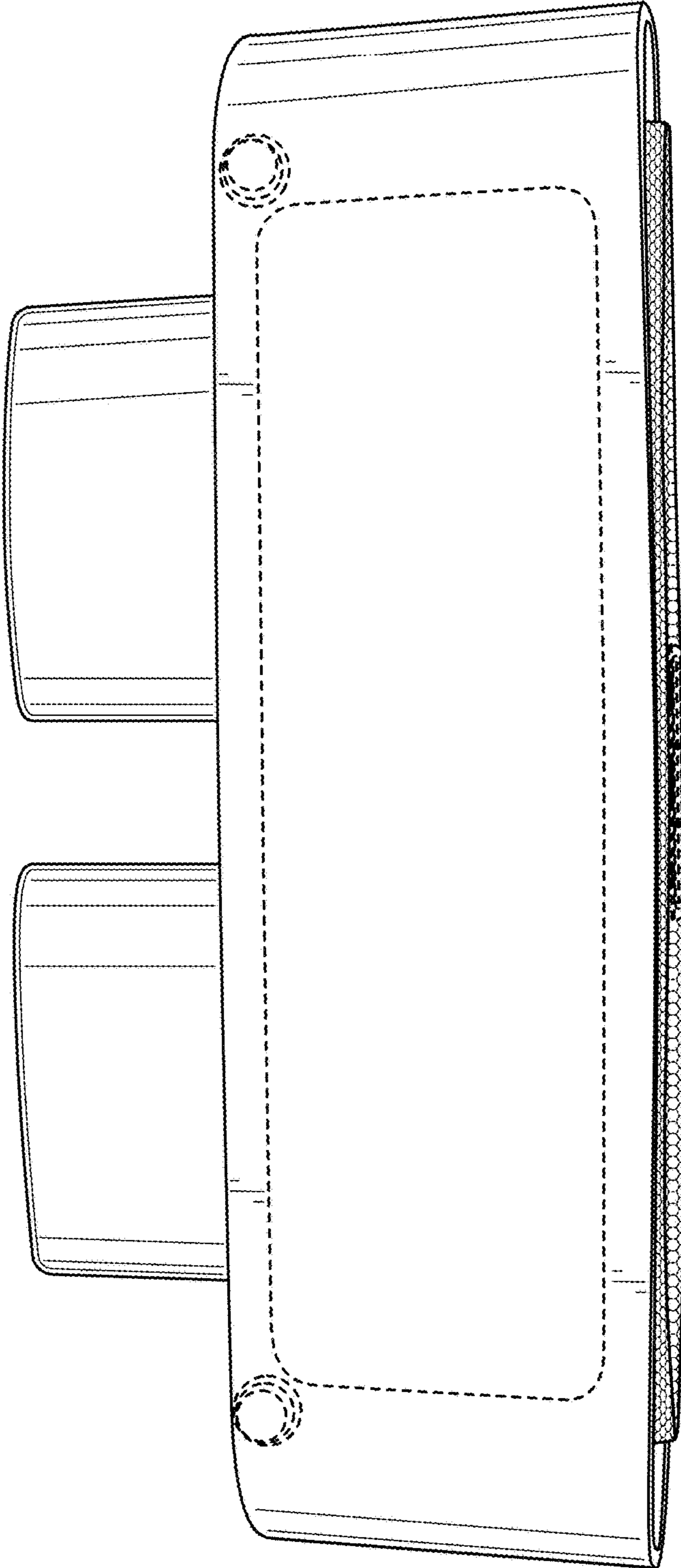


FIG. 4



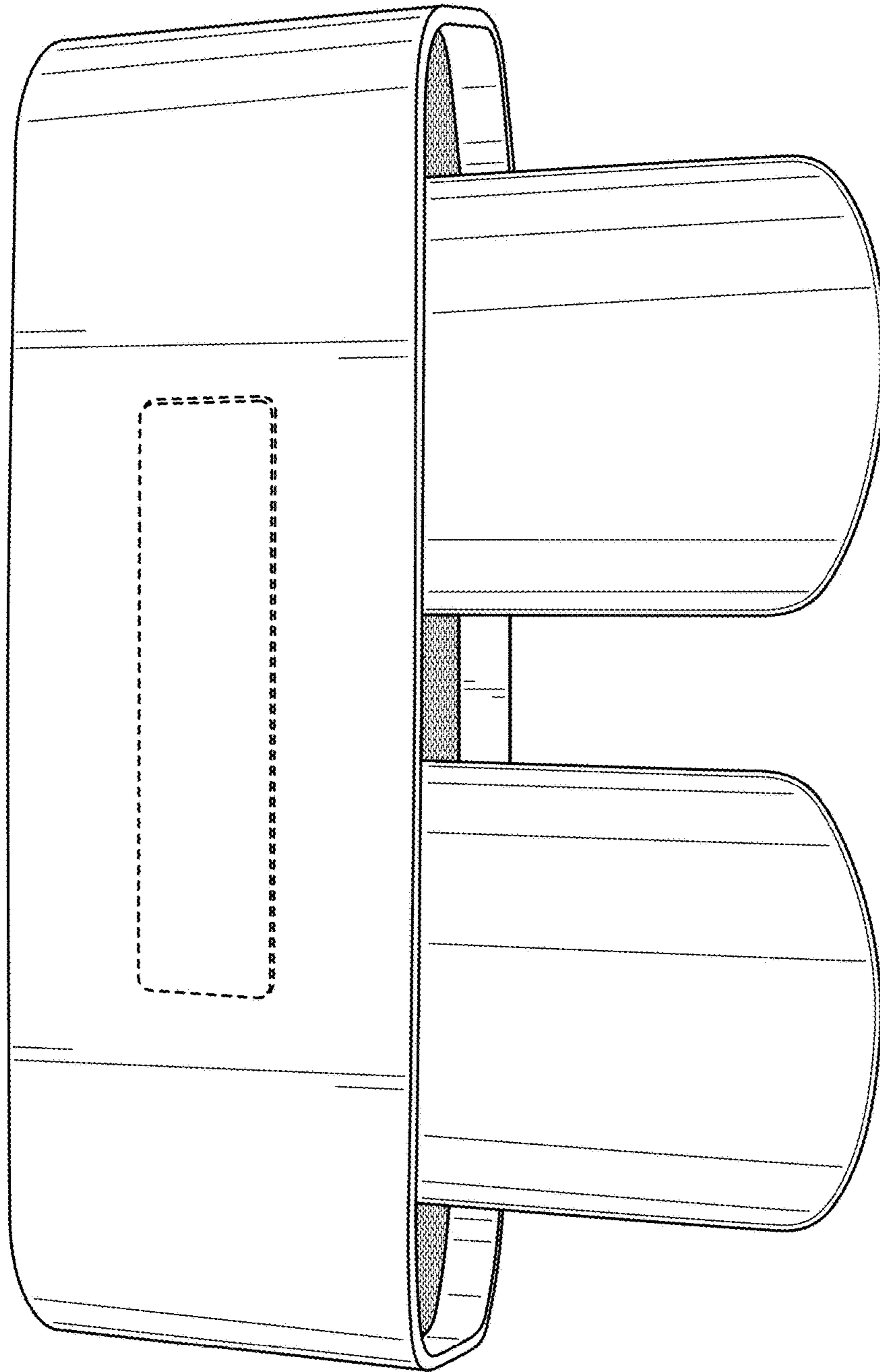


FIG. 5