



US00D849714S

(12) **United States Design Patent**  
**Shin et al.**

(10) **Patent No.:** **US D849,714 S**

(45) **Date of Patent:** **\*\* May 28, 2019**

(54) **EARPHONES**

(71) Applicant: **LG ELECTRONICS INC.**, Seoul (KR)

(72) Inventors: **Cheolwoong Shin**, Seoul (KR);  
**Dongsoon Kim**, Seoul (KR); **Jinki Min**, Seoul (KR)

(73) Assignee: **LG ELECTRONICS INC.**, Seoul (KR)

(\*\*) Term: **15 Years**

(21) Appl. No.: **35/503,410**

(22) Filed: **Jan. 20, 2017**

(80) **Hague Agreement Data**

Int. Filing Date: **Jan. 20, 2017**

Int. Reg. No.: **DM/094548**

Int. Reg. Date: **Jan. 20, 2017**

Int. Reg. Pub. Date: **Jul. 21, 2017**

(30) **Foreign Application Priority Data**

Jul. 29, 2016 (KR) ..... 30-2016-0037398

(51) **LOC (11) Cl.** ..... **14-01**

(52) **U.S. Cl.**  
USPC ..... **D14/205**

(58) **Field of Classification Search**

USPC ..... D14/125-126, 131, 172, 188, 192-194,  
D14/203.1, 204-206, 209.1, 210-216,  
D14/221, 223-224, 225, 239, 249, 265,  
D14/372, 433; D29/112; D24/174;  
D28/41; 2/209

CPC ..... H04R 1/10; H04R 1/1016; H04R 1/1066;  
H04R 1/105; H04R 5/033; H04R 5/0335;  
H04R 25/00; H04R 25/02

See application file for complete search history.

(56) **References Cited**

U.S. PATENT DOCUMENTS

D326,655 S *	6/1992	Iribe .....	D14/192
D582,389 S *	12/2008	Bose .....	D14/205
D668,632 S *	10/2012	Enquist .....	D14/205
D677,240 S *	3/2013	Coulter .....	D14/205
D681,001 S *	4/2013	Murchison .....	D14/205
D695,724 S *	12/2013	Ishikura .....	D14/223
D727,871 S *	4/2015	Orbach .....	D14/205
D737,251 S *	8/2015	Thompson .....	D14/223
D762,196 S *	7/2016	Hsieh .....	D14/223
D776,083 S *	1/2017	Lee .....	D14/205

(Continued)

OTHER PUBLICATIONS

Gideon, Tim, House of Marley Nesta, posted at PCMag, posting date Oct. 6, 2016. [site visited Jun. 7, 2018] [Available from Internet] URL: <<https://www.pcmag.com/review/348290/house-of-marley-nesta>> (Year: 2016).\*

(Continued)

*Primary Examiner* — George D. Kirschbaum

*Assistant Examiner* — Kathleen L Jones

(74) *Attorney, Agent, or Firm* — Birch, Stewart, Kolasch & Birch, LLP

(57) **CLAIM**

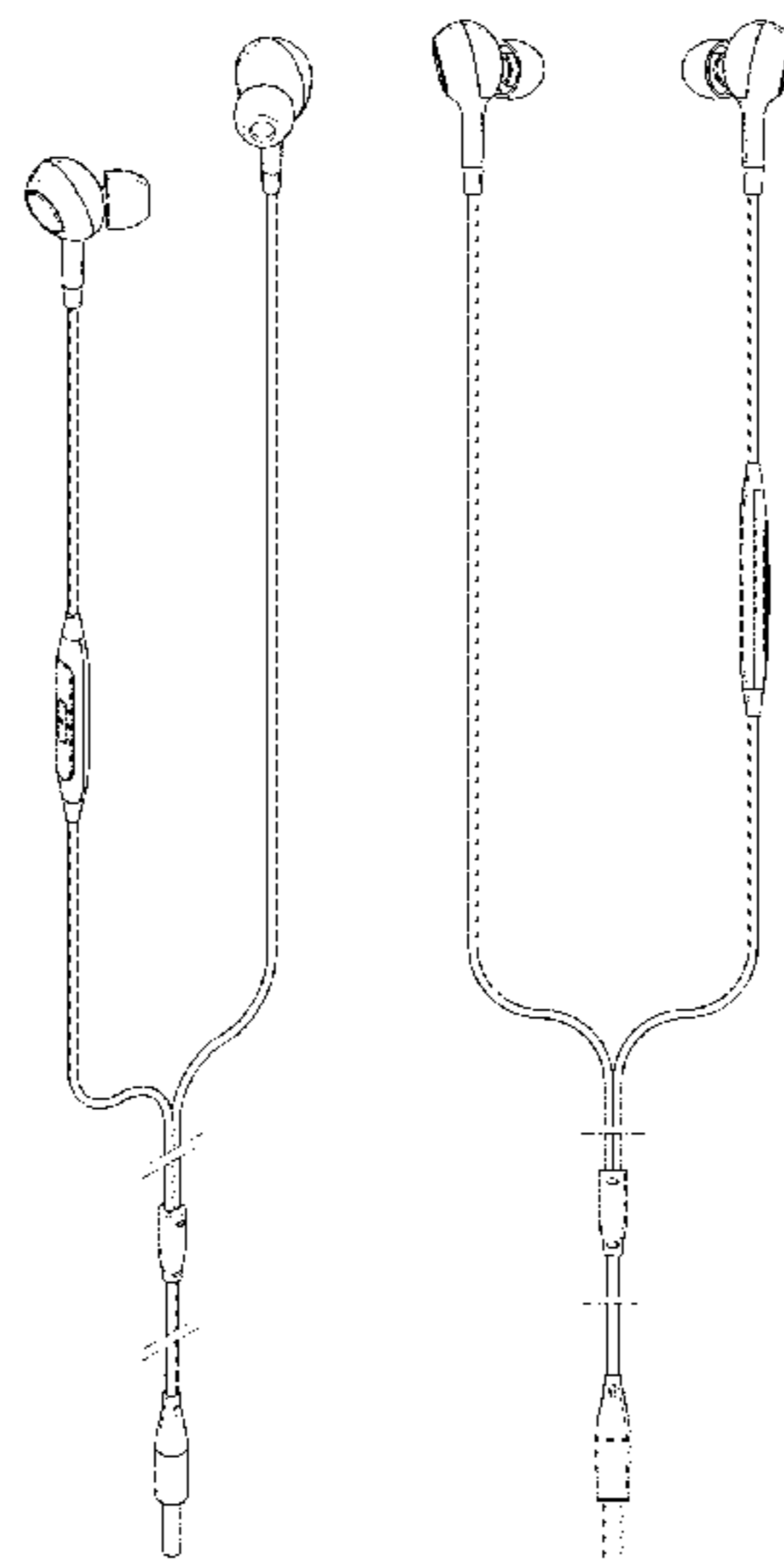
The ornamental design for earphones, as shown and described.

**DESCRIPTION**

1. Earphones
- 1.1 : Perspective
- 1.2 : Front
- 1.3 : Back
- 1.4 : Left
- 1.5 : Right
- 1.6 : Top
- 1.7 : Bottom

The dash dot dash broken lines define the bounds of the claimed design and form no part thereof.

**1 Claim, 6 Drawing Sheets**



(56)

References Cited

U.S. PATENT DOCUMENTS

D776,635 S \* 1/2017 Chang ..... D14/205  
 D777,139 S \* 1/2017 Fletcher ..... D14/205  
 D782,442 S \* 3/2017 Chen ..... D14/205  
 D782,997 S \* 4/2017 Shin ..... D14/205  
 D782,998 S \* 4/2017 Shin ..... D14/205  
 D785,592 S \* 5/2017 Naitou ..... D14/205  
 D811,363 S \* 2/2018 He ..... D14/205  
 D812,038 S \* 3/2018 Nakajima ..... D14/205  
 D816,059 S \* 4/2018 Liu ..... D14/205  
 D816,060 S \* 4/2018 Wei ..... D14/205  
 D817,301 S \* 5/2018 Aoyagi ..... D14/205  
 D817,309 S \* 5/2018 Czaniecki ..... D14/223  
 D817,920 S \* 5/2018 Paschke ..... D14/205  
 D818,989 S \* 5/2018 Silva ..... D14/205  
 2009/0285436 A1 \* 11/2009 Lowry ..... H04R 1/1016  
 381/380  
 2018/0146280 A1 \* 5/2018 Tang ..... H04R 1/1091

(56)

References Cited

OTHER PUBLICATIONS

Sony Earbud with iPod Remote Control, posted at Amazon, review posted May 20, 2014. [site visited Jun. 7, 2018] [Available from Internet] URL: <<https://www.amazon.com/Sony-MDREX38iP-BLK-Earbud-Control/dp/B002M78JA2>> (Year: 2014).\*

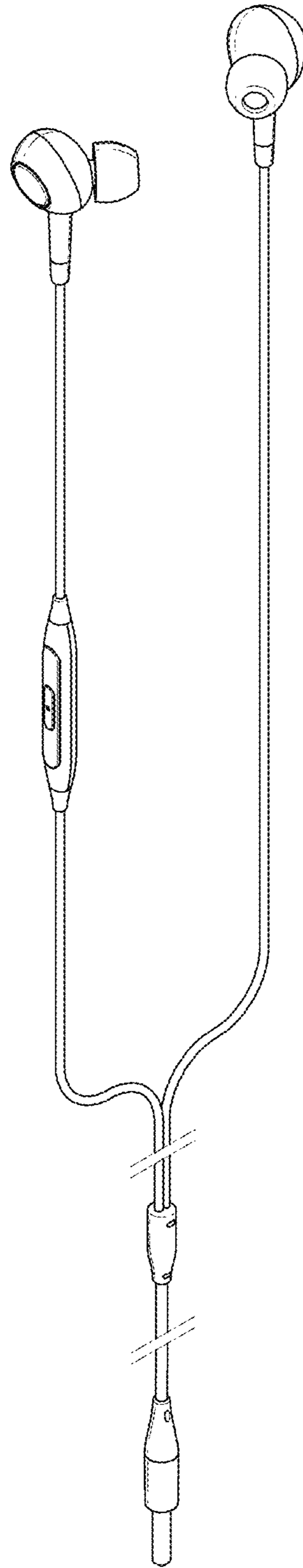
NEW Origina Genuine for LG In-Ear Headset, posted at Ebay, posting date Jun. 5, 2018. [site visited Jun. 7, 2018] [Available from Internet] URL: <<https://www.ebay.com/itm/NEW-Origina-Genuine-For-LG-V20-V30-B-O-PLAY-In-Ear-Headset-Headphones-Earphones/282746390253>> (Year: 2018).\*

Palladino, Valentina, Skullcandy Method In-Ear Sport Earbuds Review, posted at tom's guide, posting date May 19, 2015. [site visited Jun. 7, 2018] [Available from Internet] URL: <<https://www.tomsguide.com/us/skullcandy-method-in-ears,review-2820.html>> (Year: 2015).\*

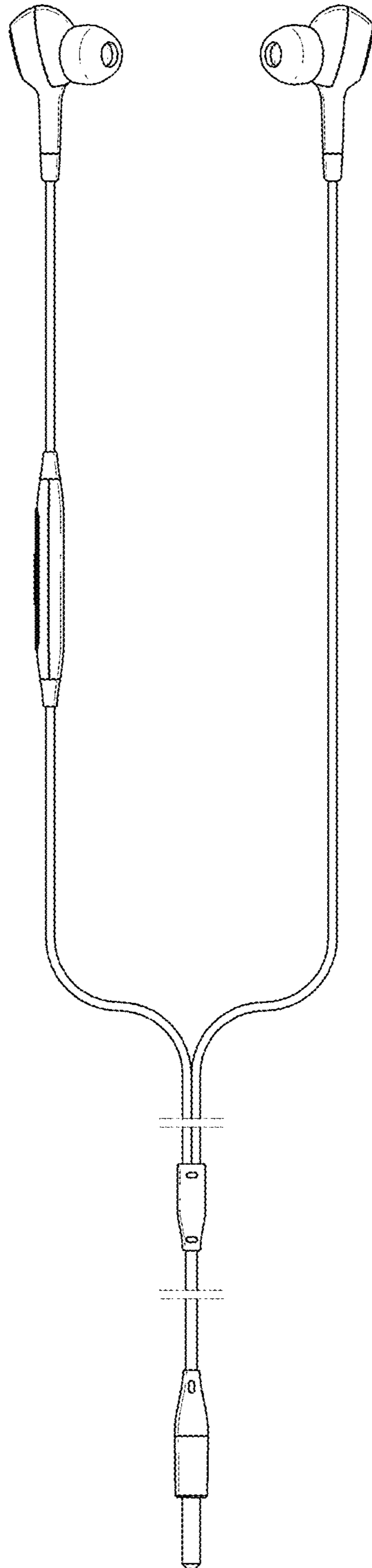
Slide Sport: Patent Ziplock Earbuds, posted at Zipbuds, posting date not available. [site visited Jun. 7, 2018] [Available from Internet] URL: <<https://zipbuds.com/products/slide>>.\*

\* cited by examiner

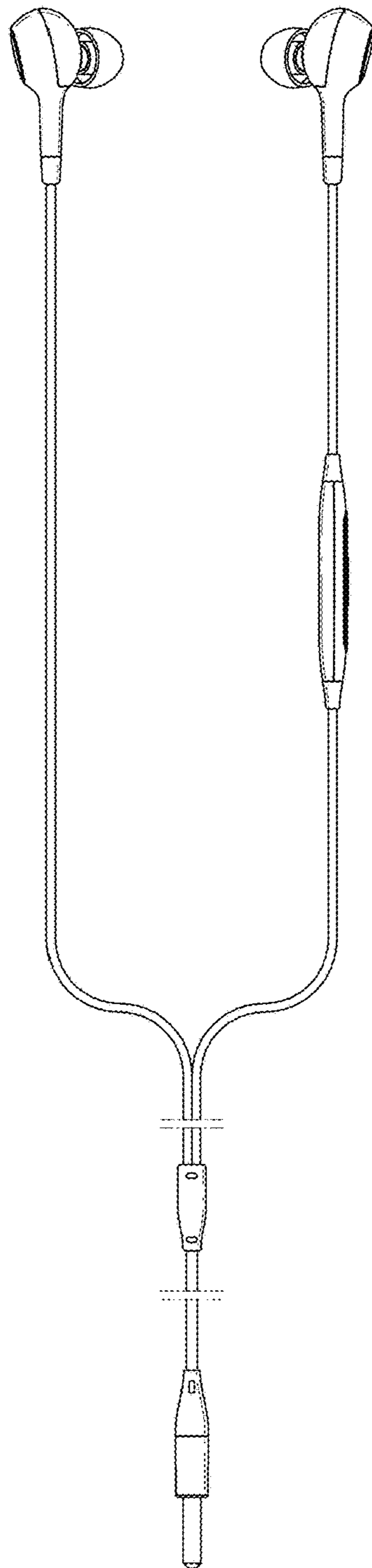
1.1



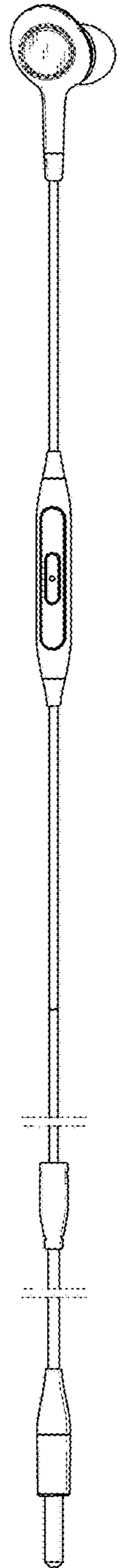
1.2



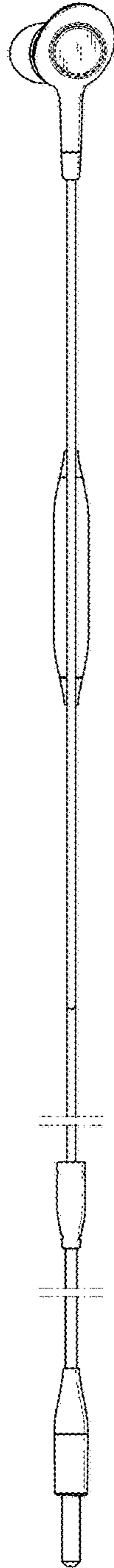
1.3



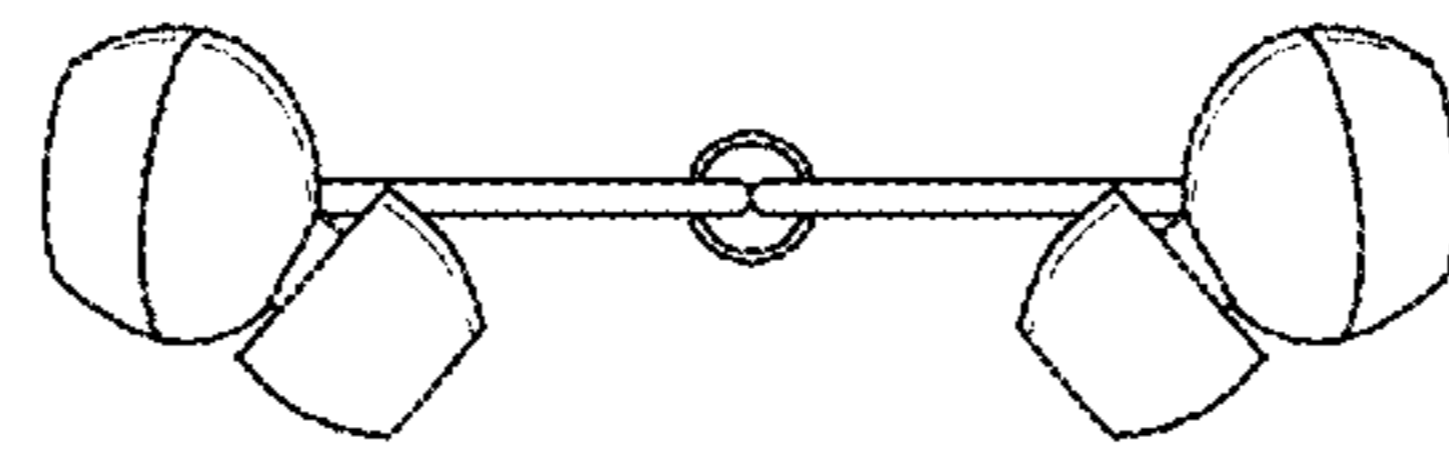
1.4



1.5



1.6



1.7

