



US00D849713S

(12) **United States Design Patent**
Hänggi et al.

(10) **Patent No.:** **US D849,713 S**
(45) **Date of Patent:** **** May 28, 2019**

(54) **HEADPHONES**

(71) Applicant: **Sennheiser electronic GmbH & Co. KG**, Wedemark (DE)

(72) Inventors: **Iwan Hänggi**, Zürich (CH); **Niklas Galler**, Berlin (DE); **Oliver Berger**, Zürich (CH)

(73) Assignee: **Sennheiser electronic GmbH & Co. KG**, Wedemark (DE)

(**) Term: **15 Years**

(21) Appl. No.: **29/621,582**

(22) Filed: **Oct. 10, 2017**

Related U.S. Application Data

(62) Division of international design application DM/090028 (U.S. filing date under 35 U.S.C. 384), and having an international filing date of Feb. 26, 2016.

(30) **Foreign Application Priority Data**

Aug. 26, 2015 (DE) 40 2015 100 807.0

(51) **LOC (11) Cl.** **14-01**

(52) **U.S. Cl.**
USPC **D14/205**

(58) **Field of Classification Search**
USPC D14/205; D29/112; 2/209; 181/129, 181/130, 135; 379/430, 431; 381/380, 381/381, 374, 74; 455/90.3, 575.1, 569.1
CPC H04R 1/1066; H04R 1/1016; H04R 5/033; H04R 5/0335; H04R 25/00; H04R 1/1041
See application file for complete search history.

(56) **References Cited**

U.S. PATENT DOCUMENTS

3,488,457 A * 1/1970 Lahti H04R 1/1008
381/371
D255,352 S * 6/1980 Besasie D14/205

D315,561 S * 3/1991 Miller D14/192
D317,767 S * 6/1991 Banks D14/205
D328,461 S * 8/1992 Daido D14/205
D373,360 S * 9/1996 Kanno D14/205
D377,021 S * 12/1996 Isono D14/205
5,822,798 A * 10/1998 Baxley A45D 8/34
2/182.6
D484,485 S * 12/2003 Matsuoka D14/205
D491,163 S * 6/2004 Green D14/205
D510,335 S * 10/2005 Suzuki D14/205
D512,708 S * 12/2005 Harris, Jr. D14/205
D538,261 S * 3/2007 Taylor D14/205
D549,688 S * 8/2007 Suzuki D14/205
D563,382 S * 3/2008 Wikel D14/205
D573,581 S * 7/2008 Gondo D14/205
D585,872 S * 2/2009 Lee D14/205

(Continued)

Primary Examiner — Paula Allen Greene

(74) *Attorney, Agent, or Firm* — Haug Partners LLP

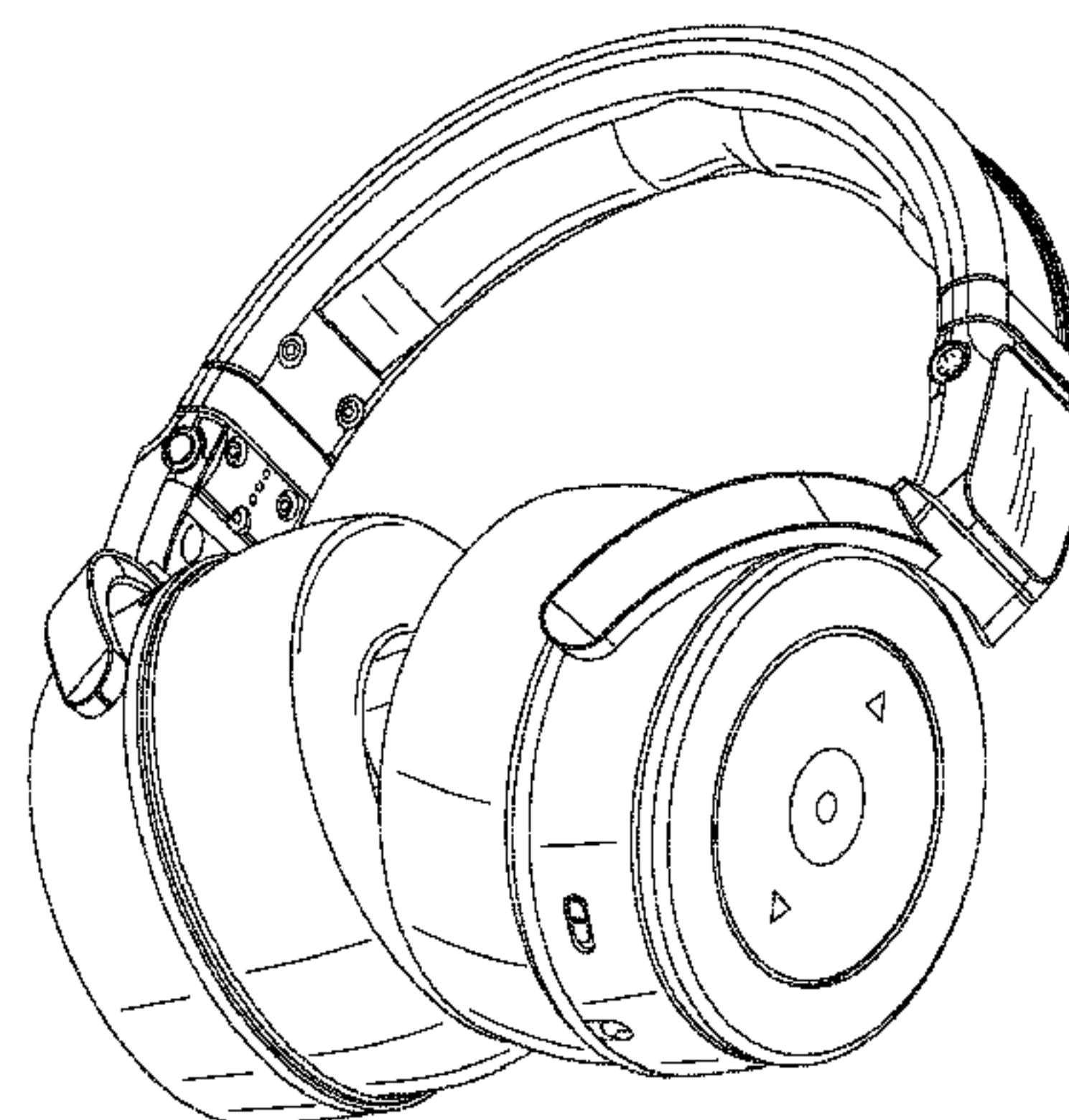
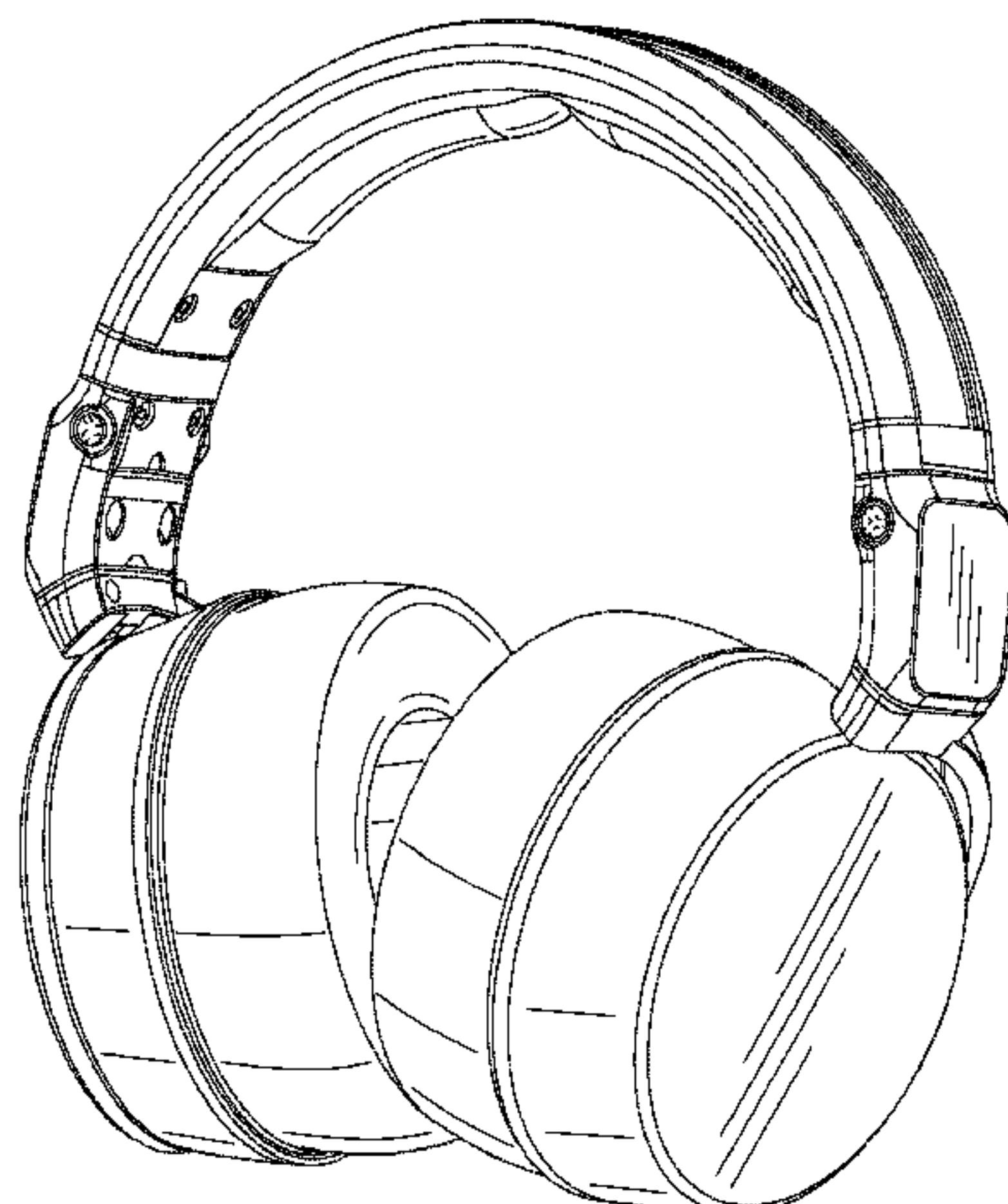
(57) **CLAIM**

The ornamental design for headphones, as shown and described.

DESCRIPTION

FIG. 1 is a perspective view of headphones showing our new design;
FIG. 2 is an opposite perspective view thereof;
FIG. 3 is another perspective view thereof;
FIG. 4 is a back elevational view thereof;
FIG. 5 is a front elevational view thereof;
FIG. 6 is a left side elevational view thereof;
FIG. 7 is a right side elevational view thereof;
FIG. 8 is a top view thereof; and,
FIG. 9 is a bottom view thereof.
The broken lines depict environment that forms no part of the claimed design.

1 Claim, 9 Drawing Sheets



(56)

References Cited

U.S. PATENT DOCUMENTS

D588,100 S *	3/2009	Densho	D14/205	8,767,996 B1 *	7/2014	Lin	H04R 1/1091
D597,070 S *	7/2009	Zheng	D14/205					381/380
7,580,539 B2 *	8/2009	Tachikawa	H04R 1/1066	D719,134 S *	12/2014	Gan	D14/205
					D727,289 S *	4/2015	Czaniecki	D14/205
D625,705 S *	10/2010	Ohori	D14/205	D732,504 S *	6/2015	Funayama	D14/205
D634,732 S *	3/2011	Kondo	D14/205	D747,557 S *	1/2016	Bonney	D29/112
D635,958 S *	4/2011	Ando	D14/205	D759,626 S *	6/2016	Wagner	D14/205
D639,776 S *	6/2011	Arimoto	D14/205	D763,223 S *	8/2016	Czaniecki	D14/205
D652,406 S *	1/2012	Lee	D14/205	D777,701 S *	1/2017	Czaniecki	D14/205
D657,776 S *	4/2012	Lee	D14/205	D784,956 S *	4/2017	Homewood	D14/205
D662,080 S *	6/2012	Carr	D14/205	D826,209 S *	8/2018	Homewood	D14/205
D673,519 S *	1/2013	Tan	D14/205	D830,334 S *	10/2018	Carr	D14/205
D686,190 S *	7/2013	Karacal	D14/205	2005/0053255 A1 *	3/2005	Harris	H04R 1/1066
D686,592 S *	7/2013	Gondo	D14/205					381/379
D689,463 S *	9/2013	Hardi	D14/205	2014/0153766 A1 *	6/2014	Huang	H04R 1/1066
D691,109 S *	10/2013	Hardi	D14/205					381/378
D696,644 S *	12/2013	Sejпка	D14/205	2016/0080853 A1 *	3/2016	Chen	H04R 1/1041
									381/74

* cited by examiner



FIG. 1

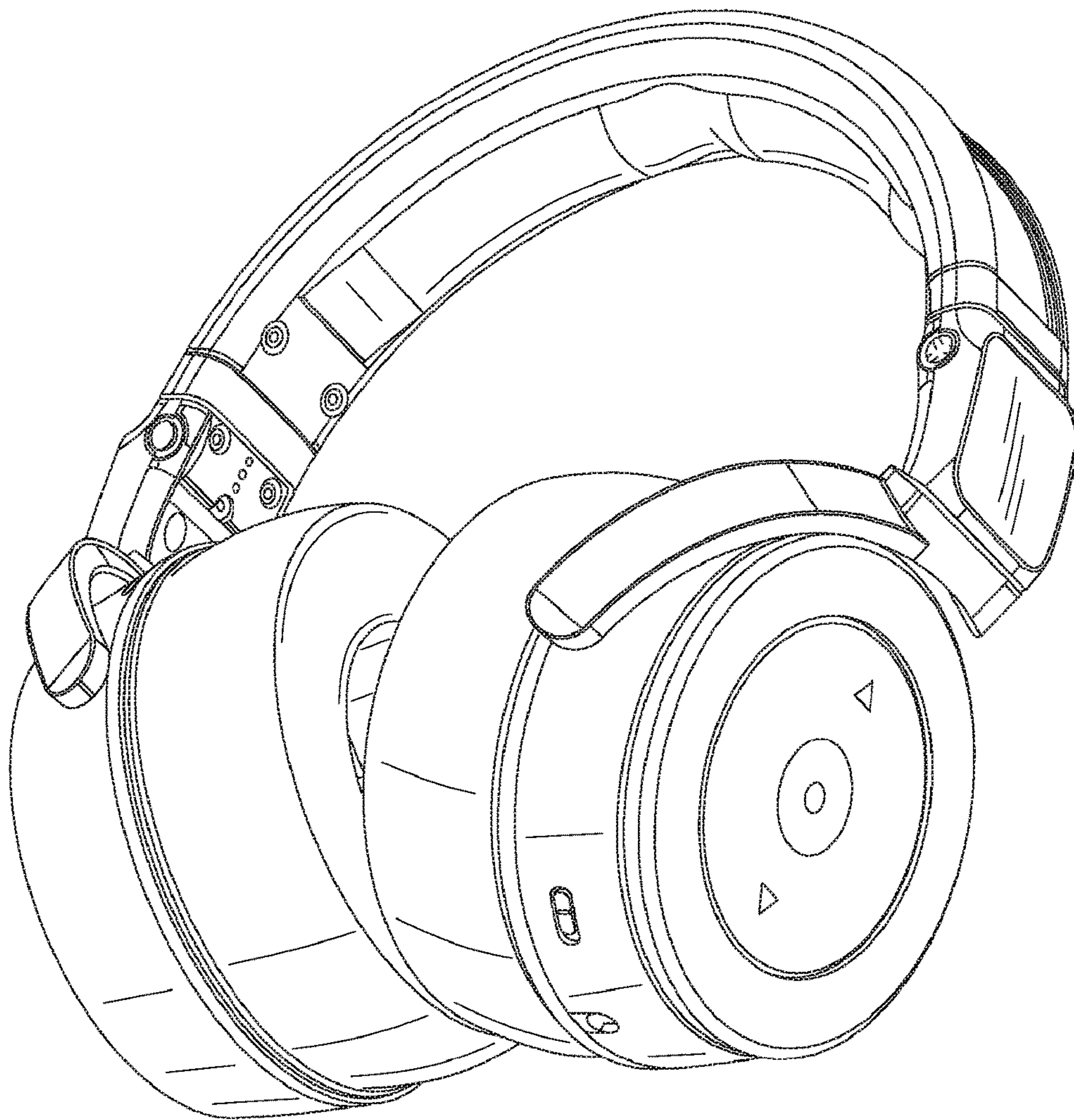


FIG. 2

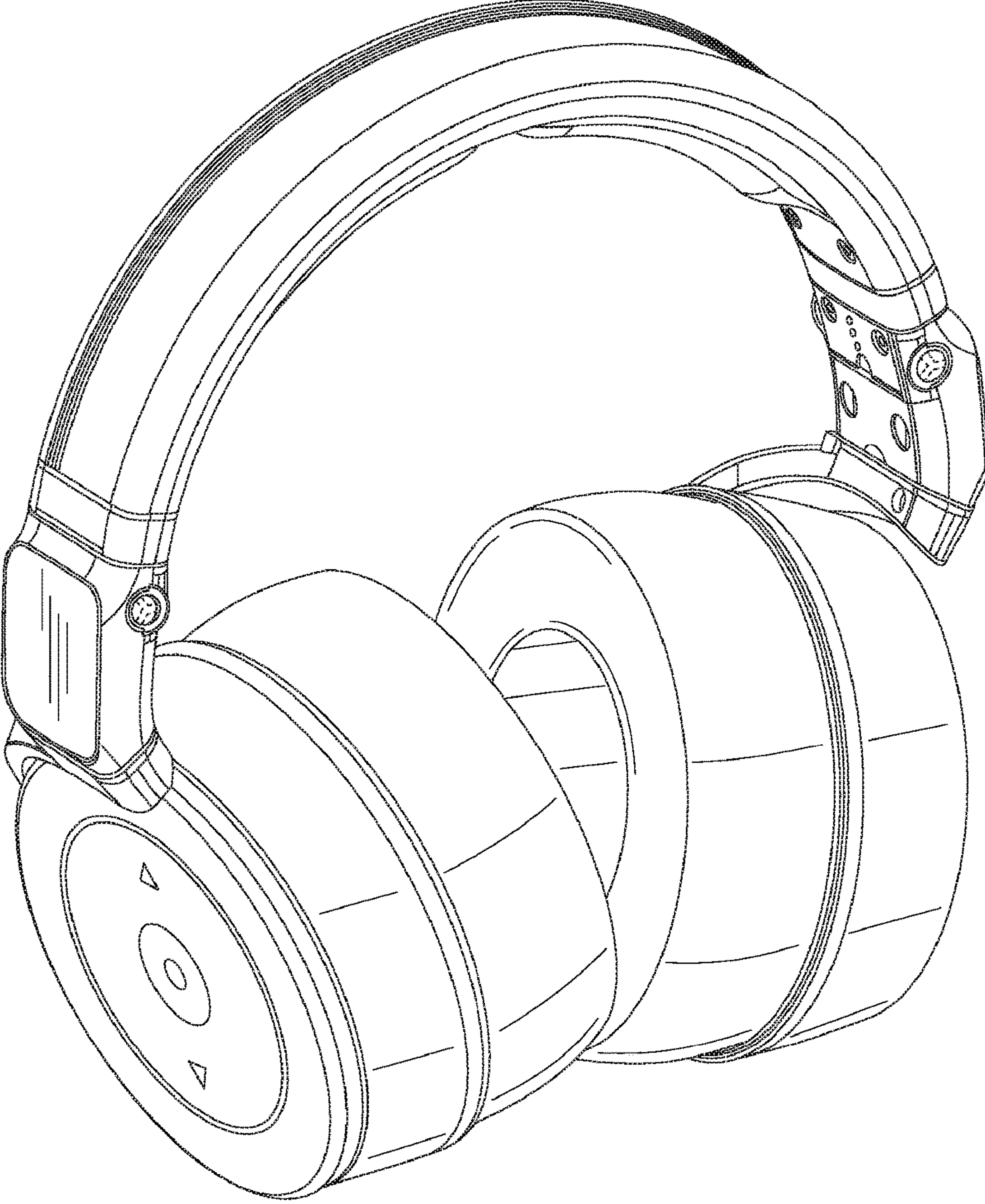


FIG. 3



FIG. 4

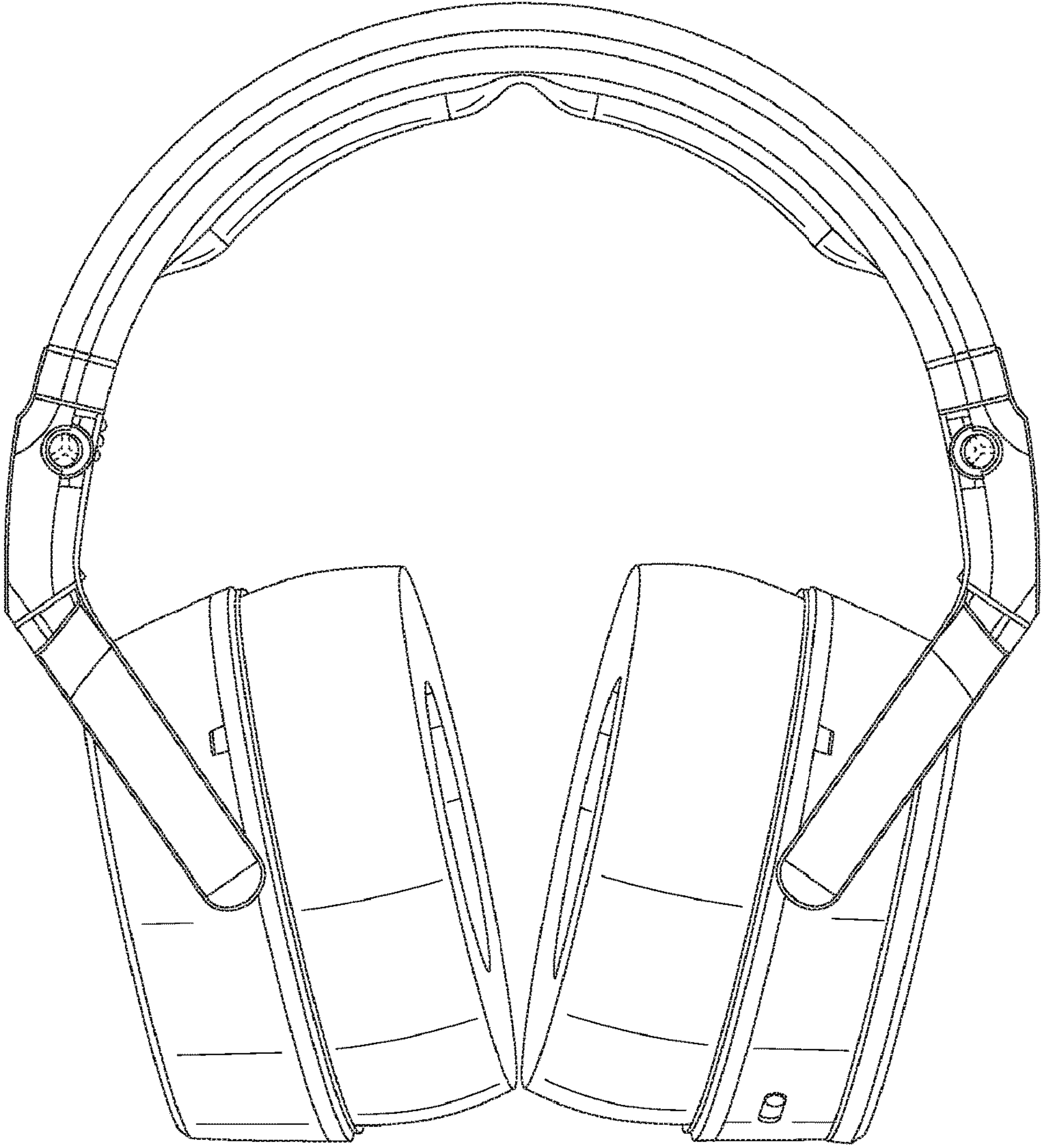


FIG. 5

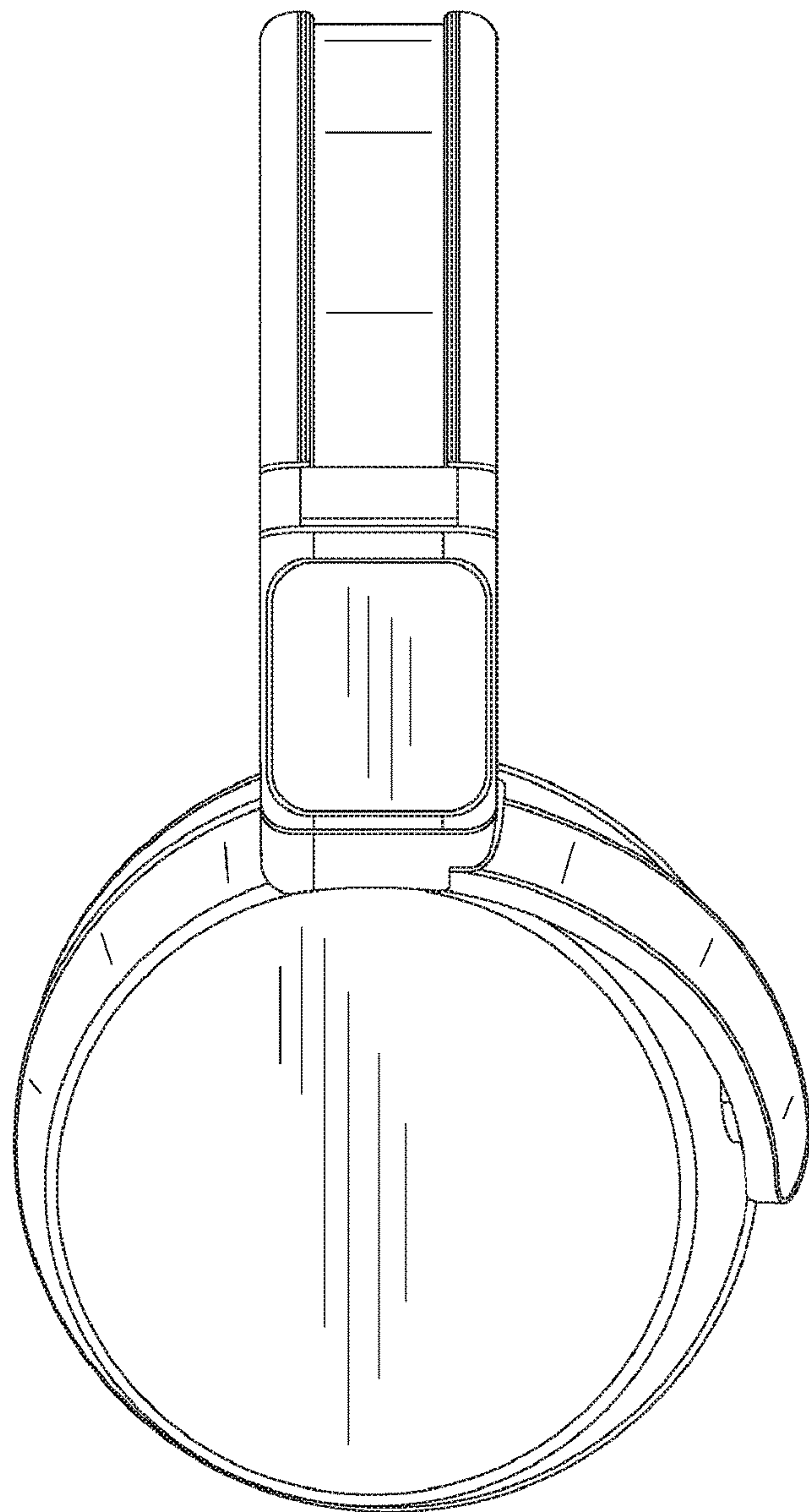


FIG. 6

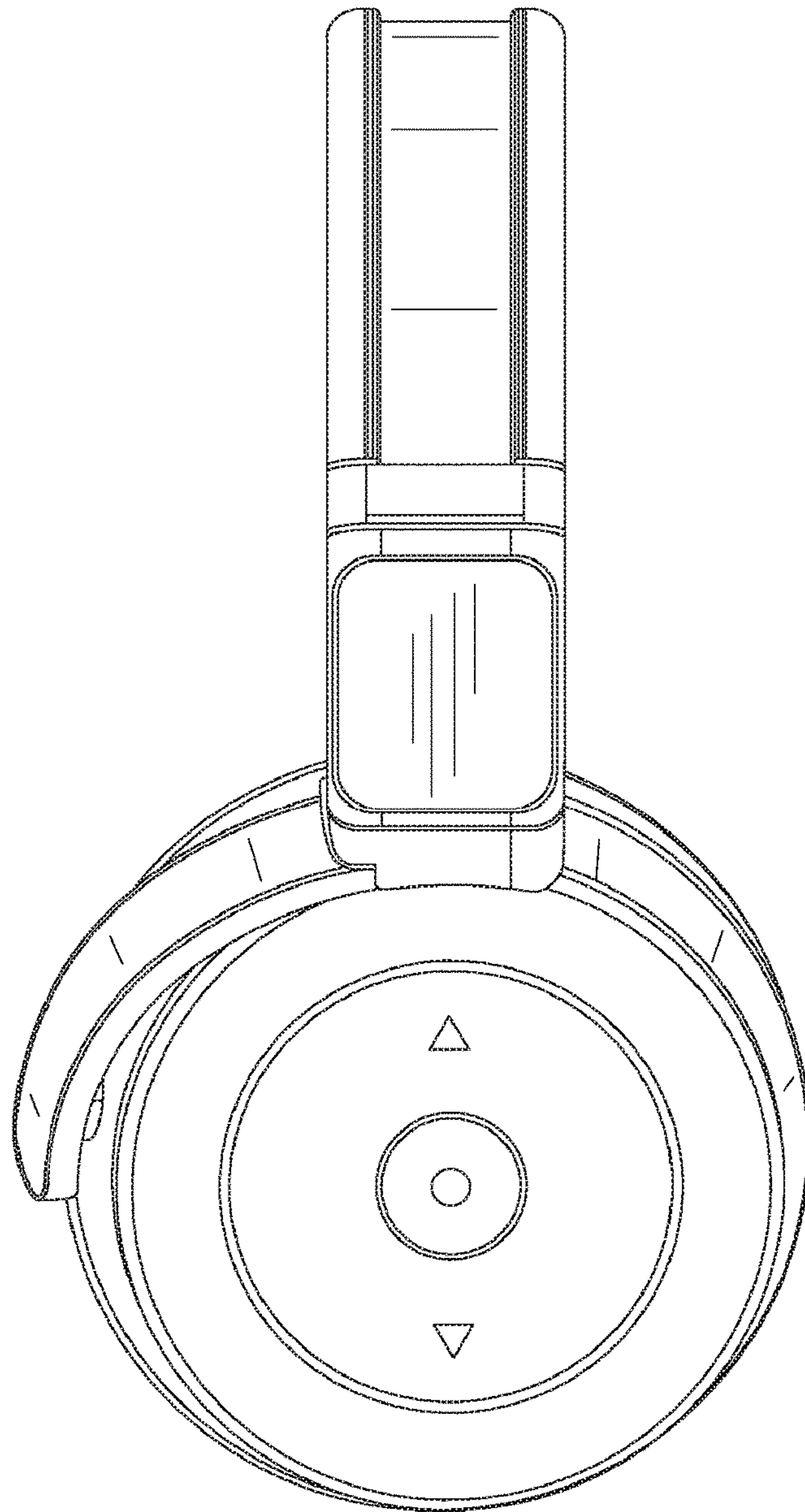


FIG. 7

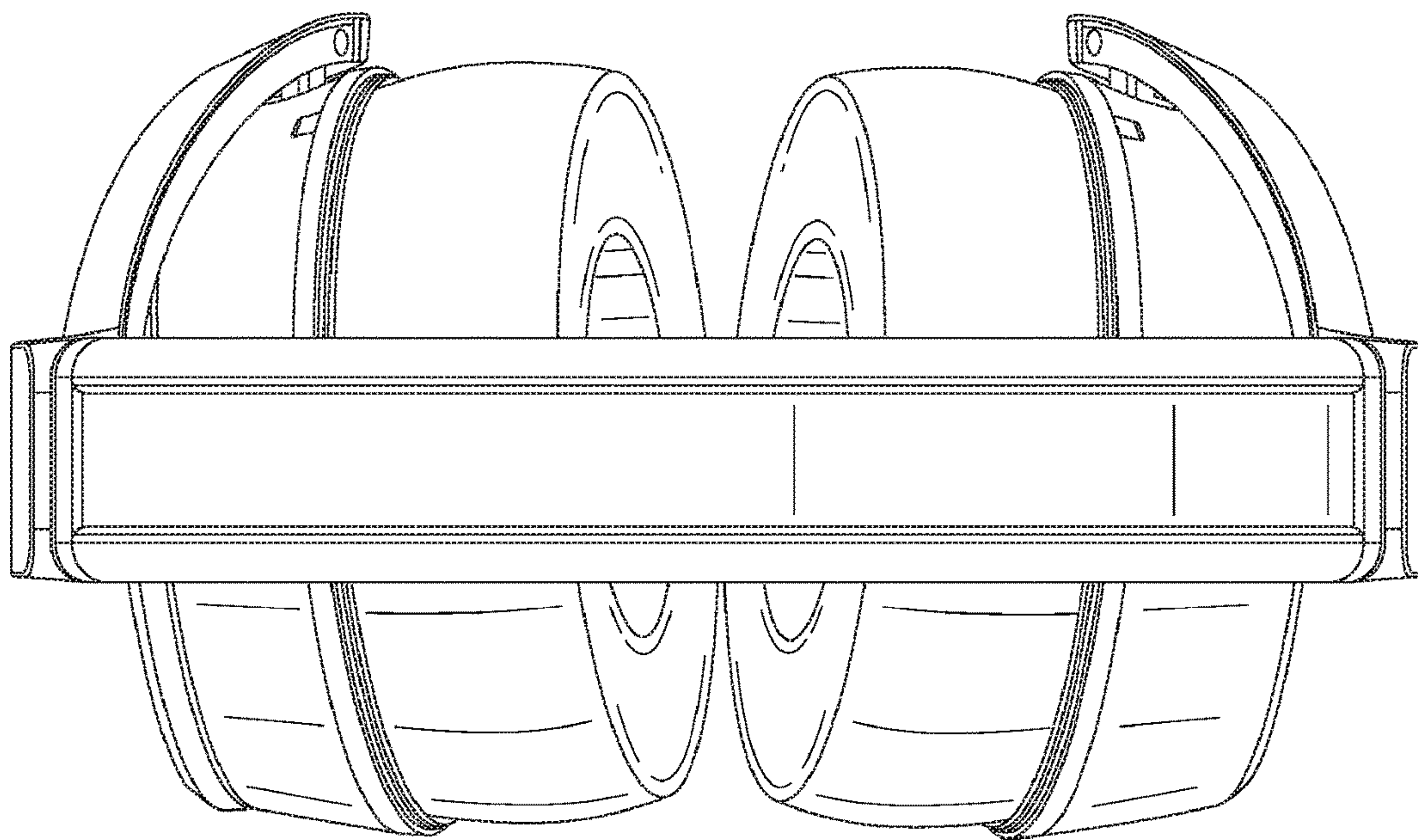


FIG. 8

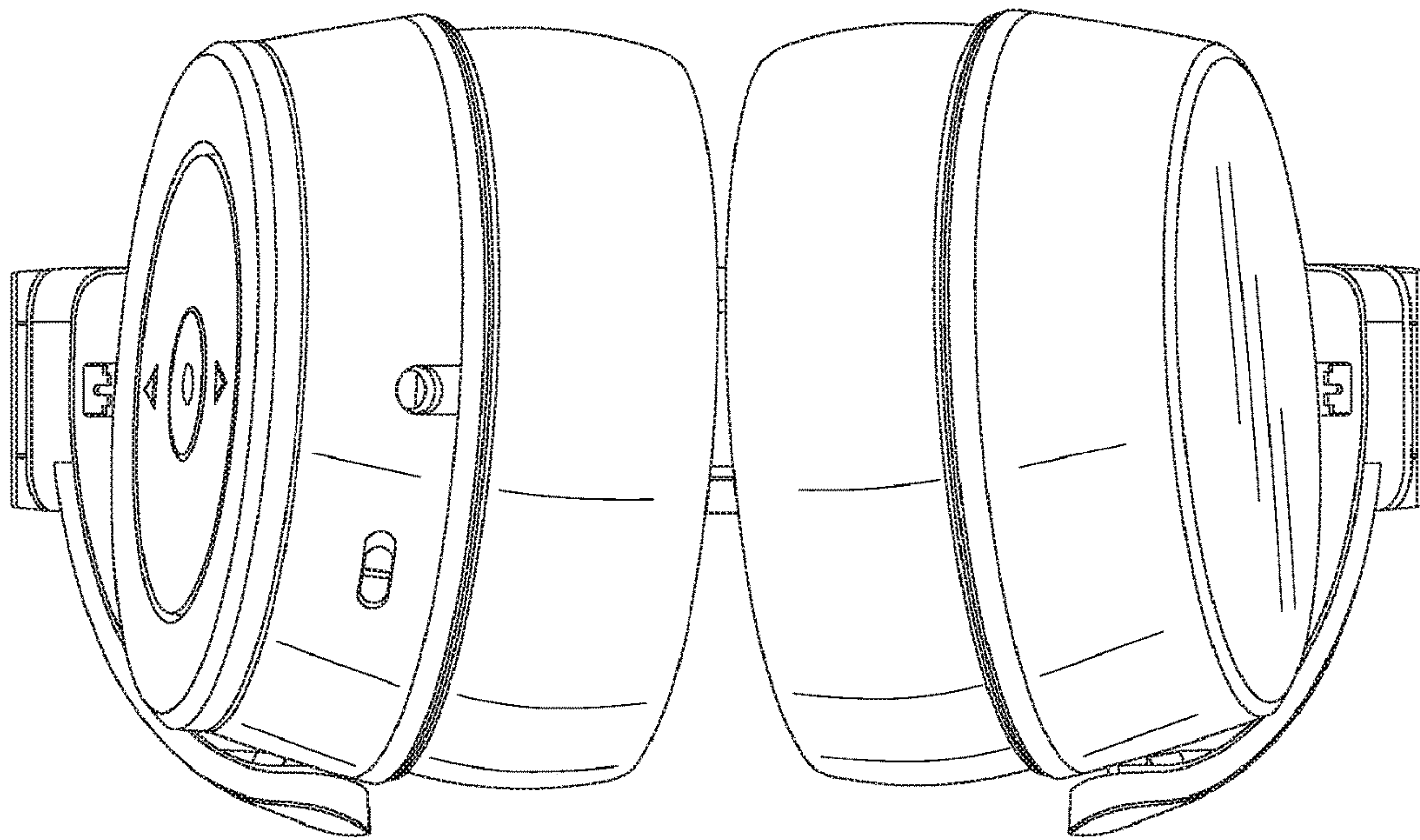


FIG. 9