



US00D849712S

(12) **United States Design Patent** (10) **Patent No.:** **US D849,712 S**
Billaudet et al. (45) **Date of Patent:** **** May 28, 2019**

(54) **HEADPHONE**

(71) Applicant: **AKG Acoustics GmbH**, Vienna (AT)

(72) Inventors: **Patrice Billaudet**, Vienna (AT);
Berthold Pavitsich, Müllendorf (AT);
Tibor Pataky, Staatsbürgerschaft (AT)

(73) Assignee: **AKG Acoustics GmbH**, Vienna (AT)

(**) Term: **15 Years**

(21) Appl. No.: **29/599,052**

(22) Filed: **Mar. 30, 2017**

(51) **LOC (11) Cl.** **14-01**

(52) **U.S. Cl.**
USPC **D14/205**

(58) **Field of Classification Search**
USPC D14/205; D29/112; 2/209; 181/129,
181/130, 135; 379/430, 431; 381/380,
381/381, 374, 74; 455/90.3, 575.1, 569.1
CPC .. H04R 1/1066; H04R 1/1016; H04R 1/1058;
H04R 25/00; H04R 5/033; H04R 5/0335
See application file for complete search history.

(56) **References Cited**

U.S. PATENT DOCUMENTS

2,149,341	A *	3/1939	Harrison	H04R 1/1066 248/274.1
2,858,544	A *	11/1958	Roth	A61F 11/14 128/866
3,085,253	A *	4/1963	Ulrich	A61F 11/14 181/256
3,192,326	A *	6/1965	Chapman	H04M 1/05 264/48
D203,677	S *	2/1966	Spillman	D14/205 (Continued)

Primary Examiner — Paula Allen Greene
(74) *Attorney, Agent, or Firm* — Plumsea Law Group, LLC

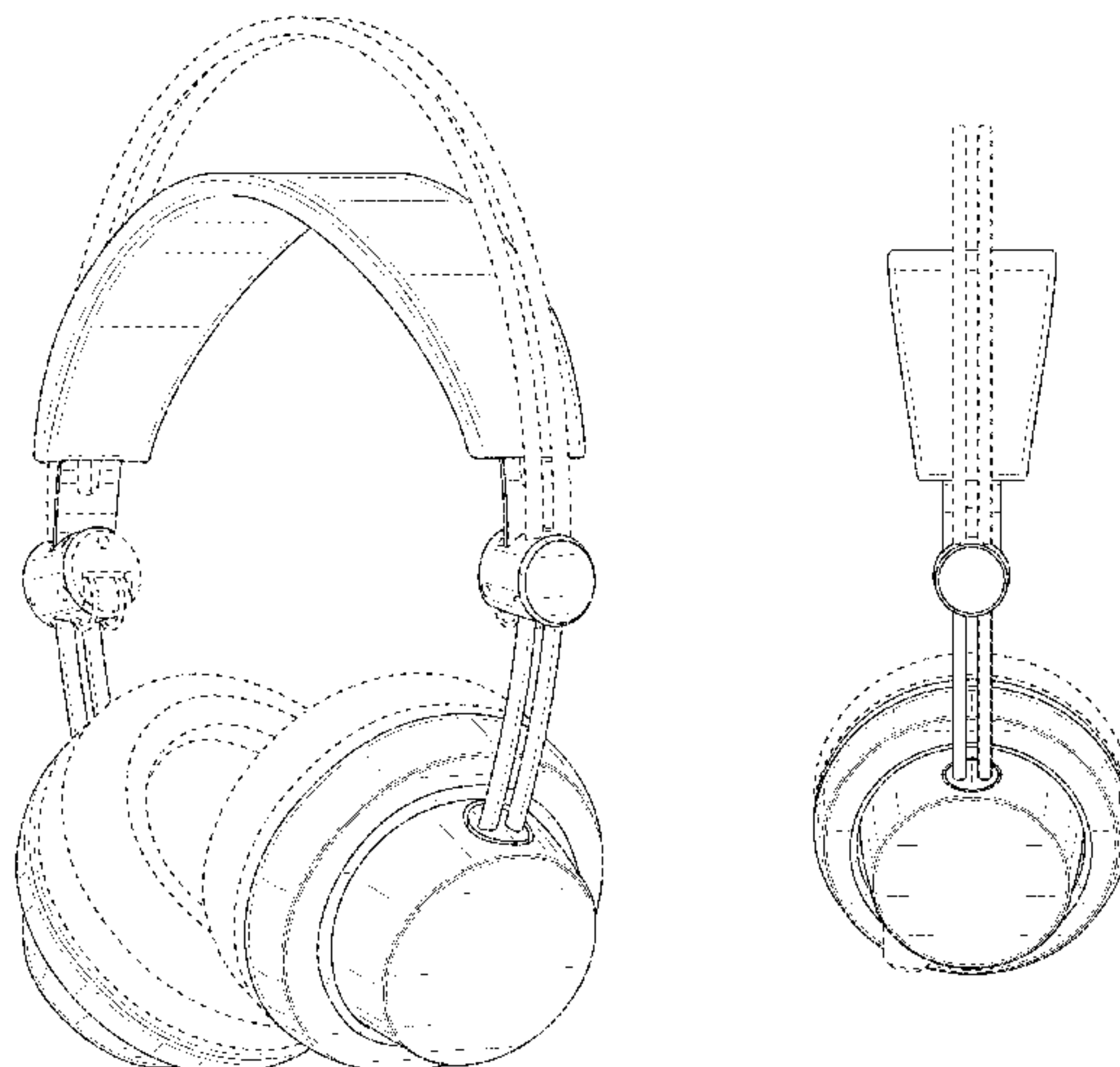
(57) **CLAIM**

The ornamental design for a headphone, as shown and described.

DESCRIPTION

FIG. 1 is a perspective view of a headphone showing the new design;
FIG. 2 is a front elevational view thereof;
FIG. 3 is a rear elevational view thereof;
FIG. 4 is a side elevational view of one side thereof;
FIG. 5 is a side elevational view of the opposite side thereof;
FIG. 6 is a top plan view thereof;
FIG. 7 is a bottom plan view thereof;
FIG. 8 is a perspective view thereof, shown in a folded configuration;
FIG. 9 is a perspective view of a second embodiment of a headphone showing the new design;
FIG. 10 is a front elevational view thereof;
FIG. 11 is a rear elevational view thereof;
FIG. 12 is a side elevational view of one side thereof;
FIG. 13 is a side elevational view of the opposite side thereof;
FIG. 14 is a top plan view thereof;
FIG. 15 is a bottom plan view thereof;
FIG. 16 is a perspective view thereof, shown in a folded configuration;
FIG. 17 is a perspective view of a third embodiment of a headphone showing the new design;
FIG. 18 is a front elevational view thereof;
FIG. 19 is a rear elevational view thereof;
FIG. 20 is a side elevational view of one side thereof;
FIG. 21 is a side elevational view of the opposite side thereof;
FIG. 22 is a top plan view thereof;
FIG. 23 is a bottom plan view thereof; and,
FIG. 24 is a perspective view thereof, shown in a folded configuration.
The broken lines and unshaded areas form no part of the claimed design.

1 Claim, 24 Drawing Sheets



(56)

References Cited

U.S. PATENT DOCUMENTS

3,272,926 A * 9/1966 Falkenberg H04R 1/1008
381/370
3,356,787 A * 12/1967 Feyling H02G 15/08
174/70 S
3,408,658 A * 11/1968 Beguin A61F 11/14
128/866
3,440,663 A * 4/1969 Beguin A61F 11/14
2/209
3,488,457 A * 1/1970 Lahti H04R 1/1008
381/371
3,579,640 A * 5/1971 Beguin et al. A61F 11/14
2/209
3,644,939 A * 2/1972 Beguin A61F 11/14
2/209
D228,352 S * 9/1973 Hagaki D14/205
4,037,064 A * 7/1977 Yasuda H04R 1/08
381/26
D262,019 S * 11/1981 Upshaw D14/205
D266,244 S * 9/1982 Hofer D14/205
4,409,442 A * 10/1983 Kamimura H04R 5/0335
381/370
4,445,005 A * 4/1984 Furuhashi H04R 5/0335
2/209
4,453,050 A * 6/1984 Enokido H04R 1/1066
381/330
4,546,215 A * 10/1985 Ferraro H04R 1/1058
2/209

4,571,746 A * 2/1986 Gorike H04R 5/0335
2/209
D292,205 S * 10/1987 Kikutani 381/378
D328,461 S * 8/1992 Daido D14/205
5,406,037 A * 4/1995 Nageno H04R 5/0335
181/129
6,449,806 B1 * 9/2002 Engelhard H04M 1/05
2/209
6,724,906 B2 * 4/2004 Naksen H04R 1/1066
381/370
D560,654 S * 1/2008 Feng D14/205
D563,382 S * 3/2008 Wikel D14/205
D570,825 S * 6/2008 Schultz D14/205
D571,354 S * 6/2008 Ng D14/205
D587,683 S * 3/2009 Ham D14/205
D609,694 S * 2/2010 Komiyama D14/205
D620,474 S * 7/2010 Komiyama D14/205
D633,895 S * 3/2011 Morimoto D14/205
8,295,529 B2 * 10/2012 Petersen H04R 1/083
381/371
D684,559 S * 6/2013 Groset D14/205
D686,593 S * 7/2013 Larsen D14/205
8,755,555 B2 * 6/2014 Dougherty H04R 1/1066
381/370
D708,164 S * 7/2014 Ishikura D14/205
D721,054 S * 1/2015 Lu D14/205
D722,589 S * 2/2015 Lu D14/205
D722,998 S * 2/2015 Sancho D14/205
9,635,451 B2 * 4/2017 Petersen H04R 1/1033
D811,362 S * 2/2018 Petersen D14/205
D812,037 S * 3/2018 Petersen D14/205

* cited by examiner

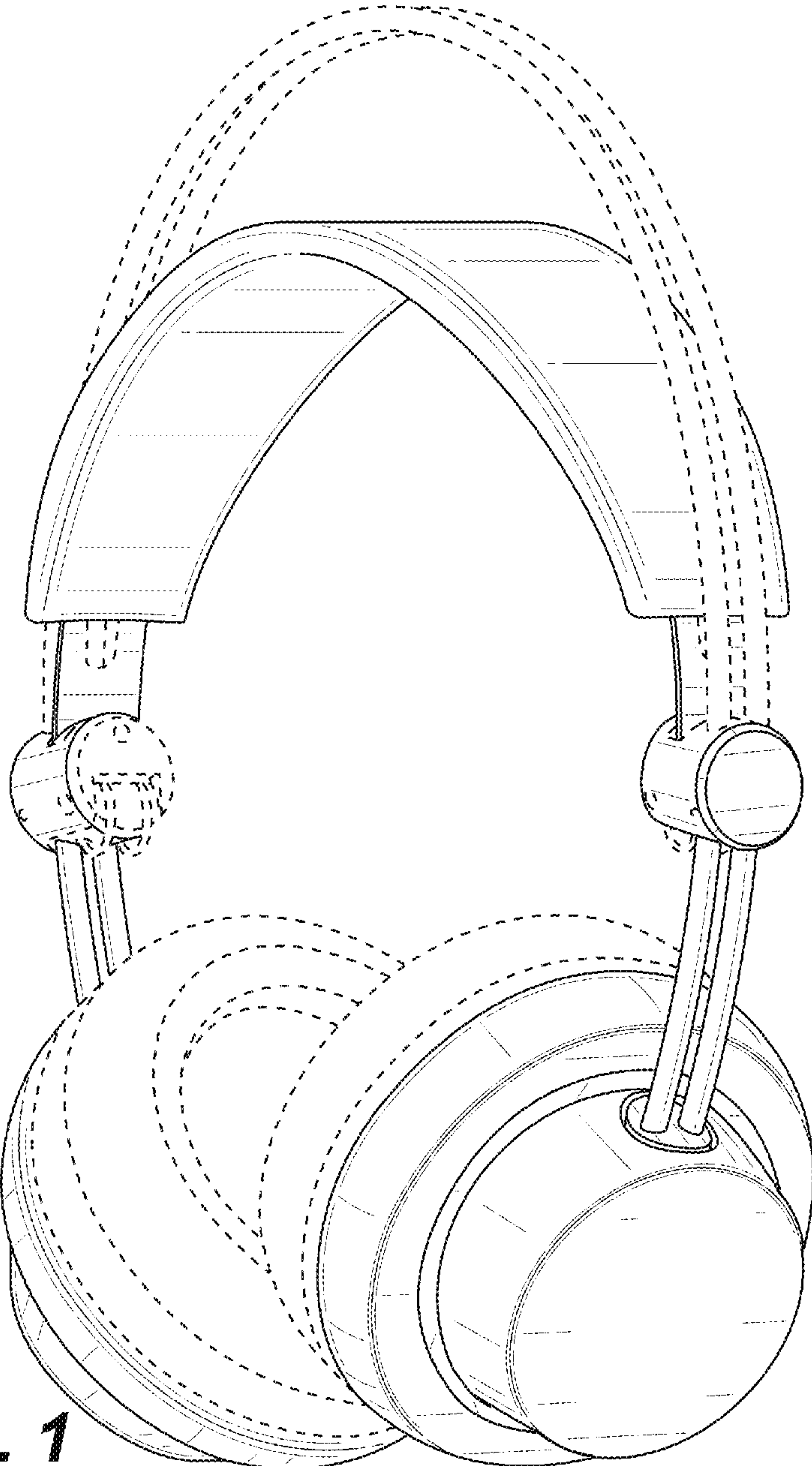


FIG. 1

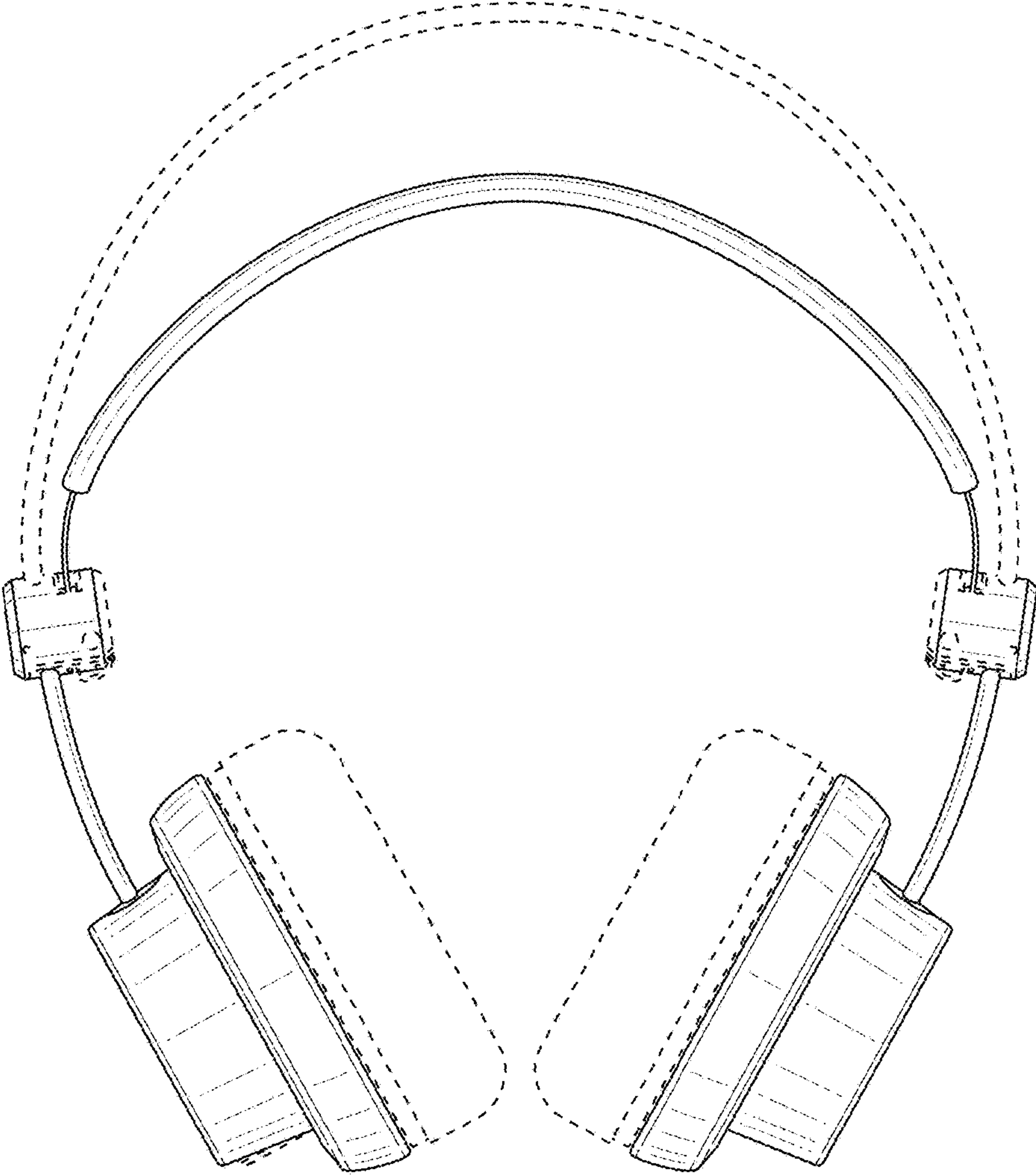


FIG. 2

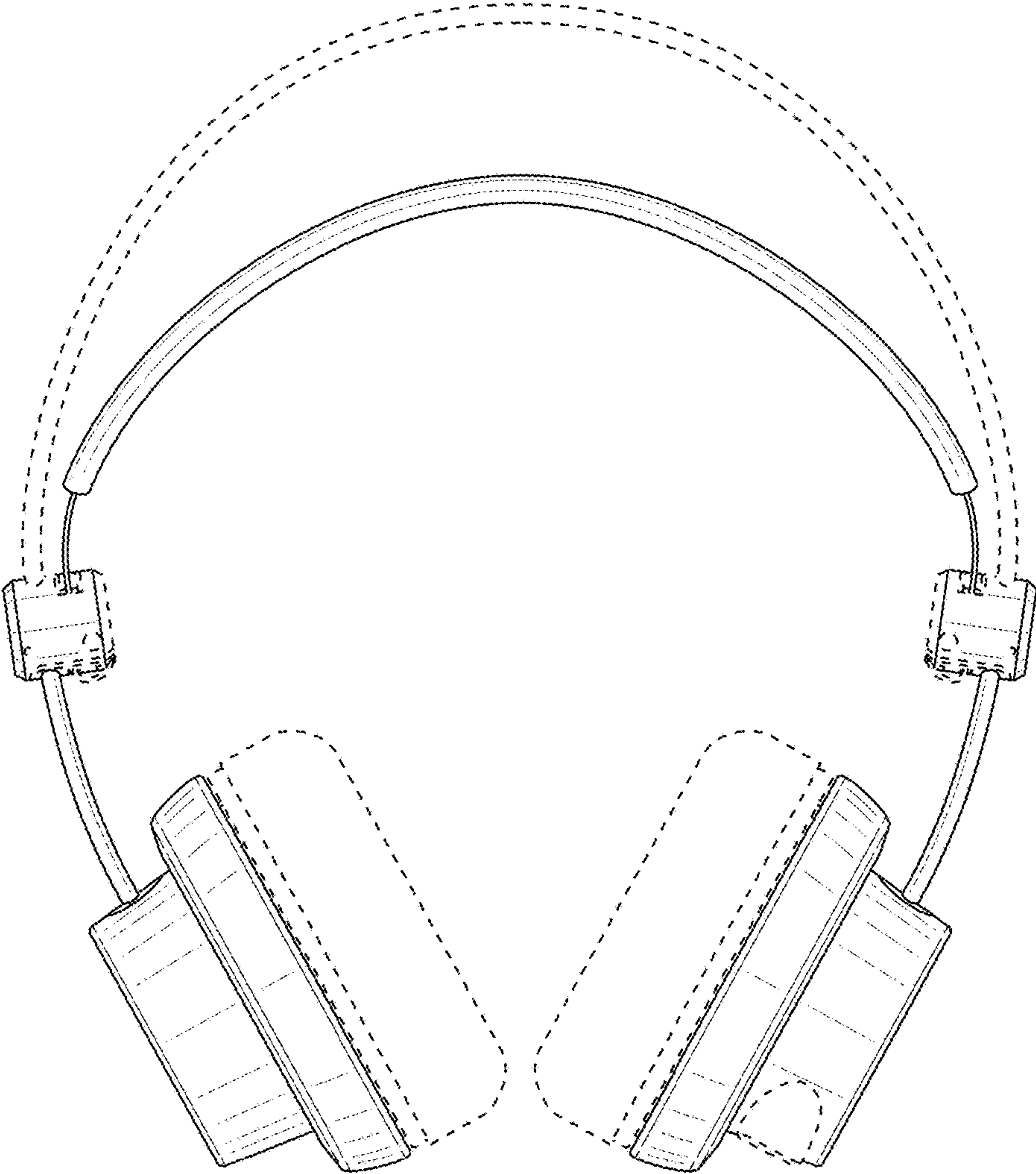


FIG. 3

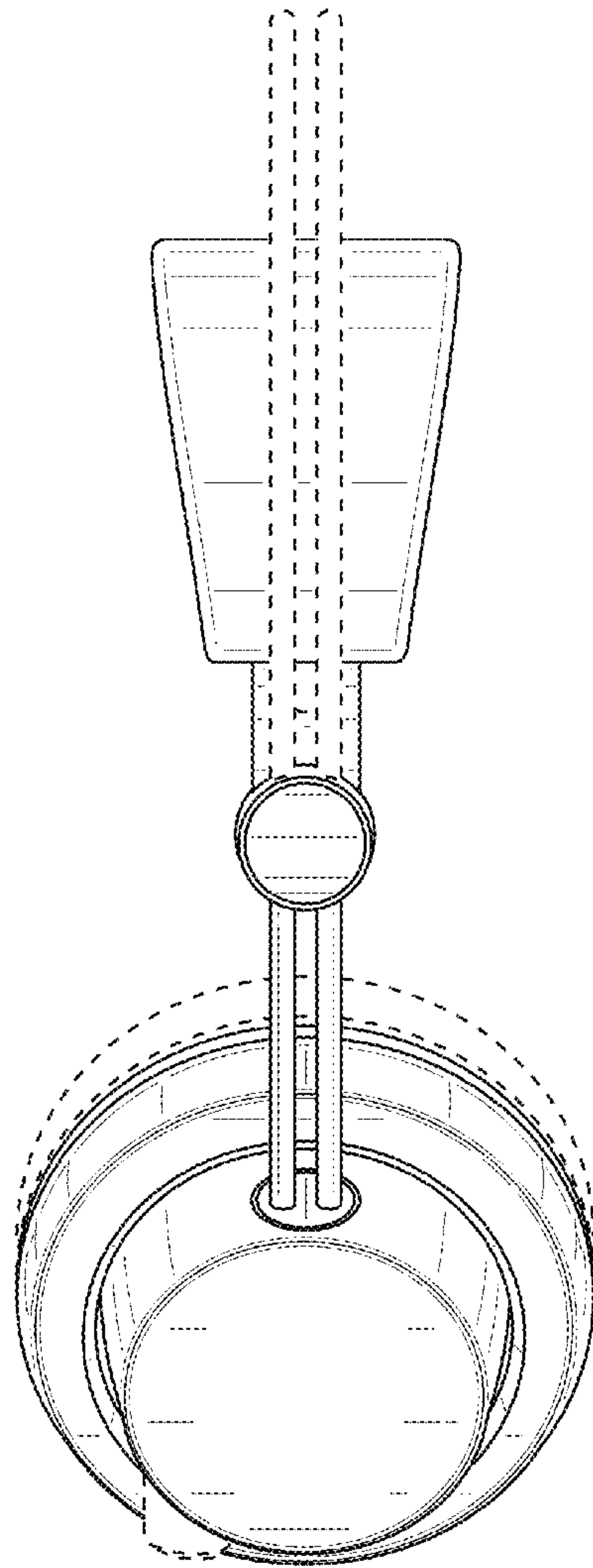


FIG. 4

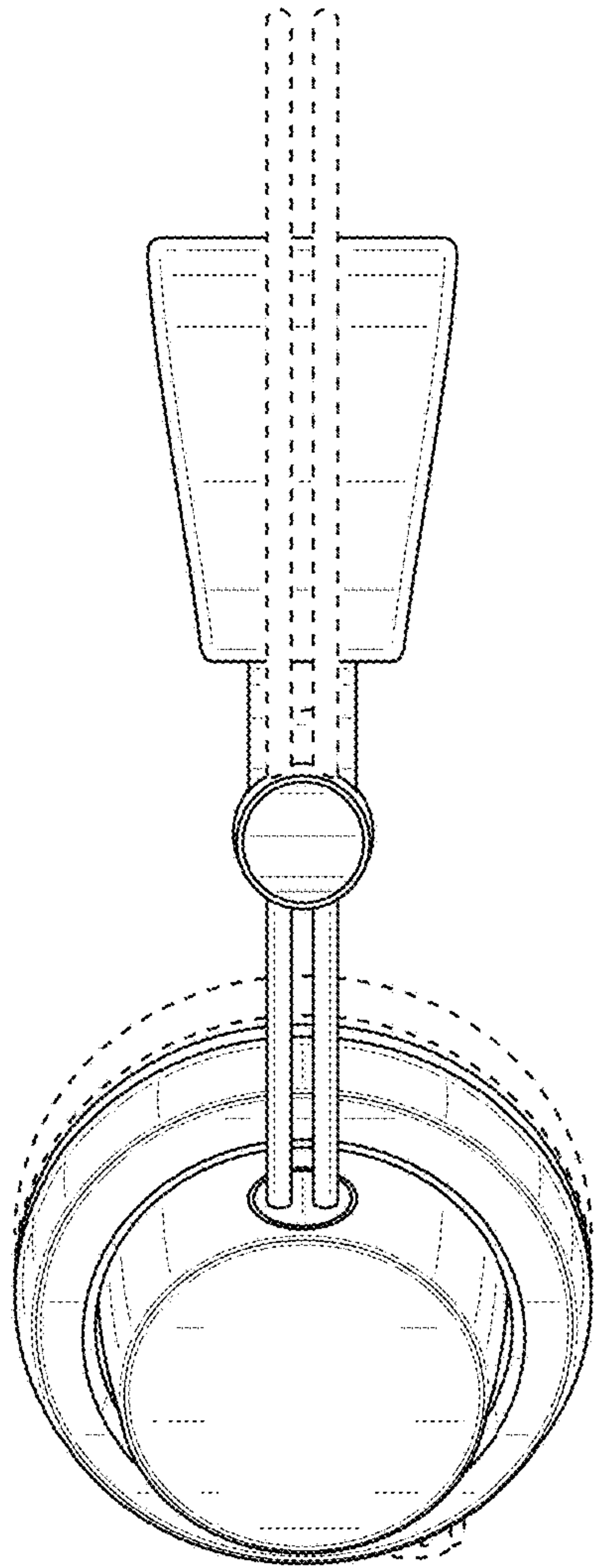


FIG. 5

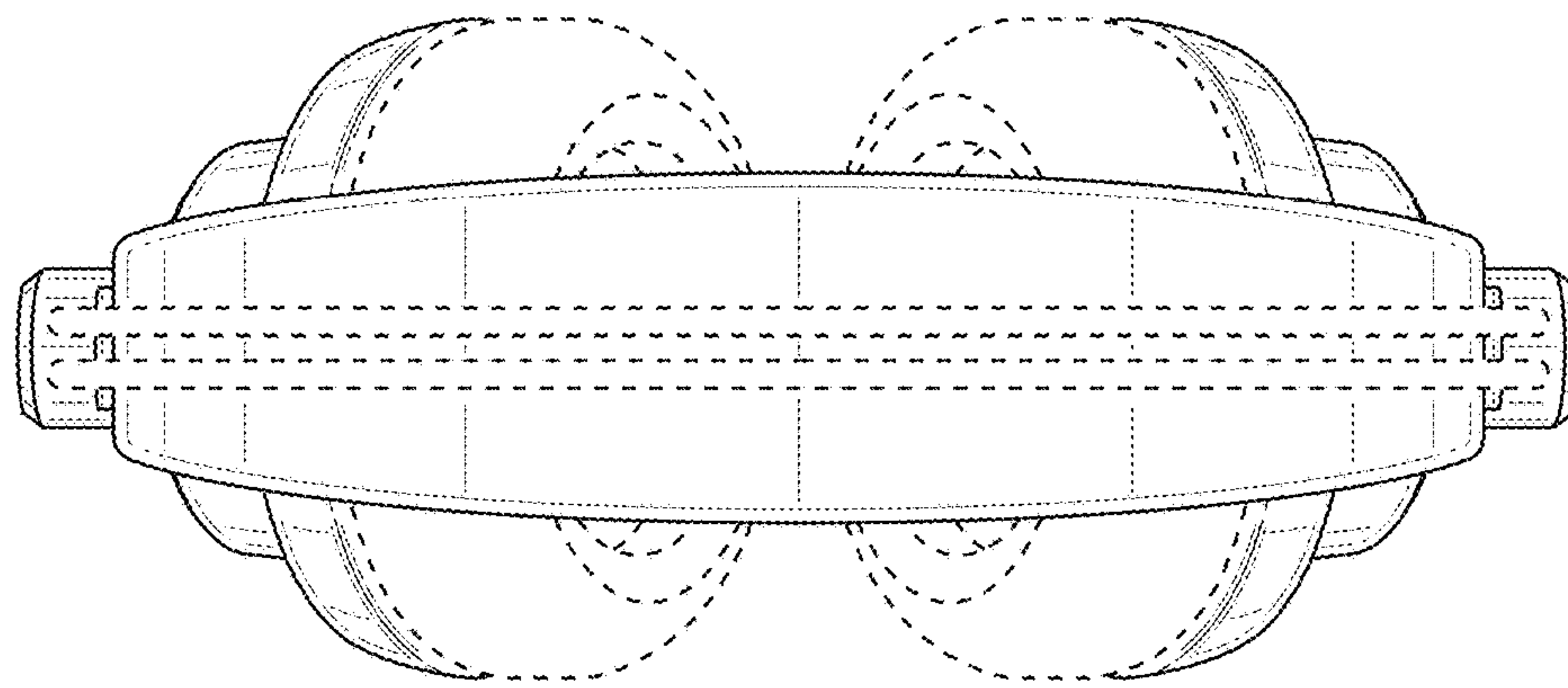


FIG. 6

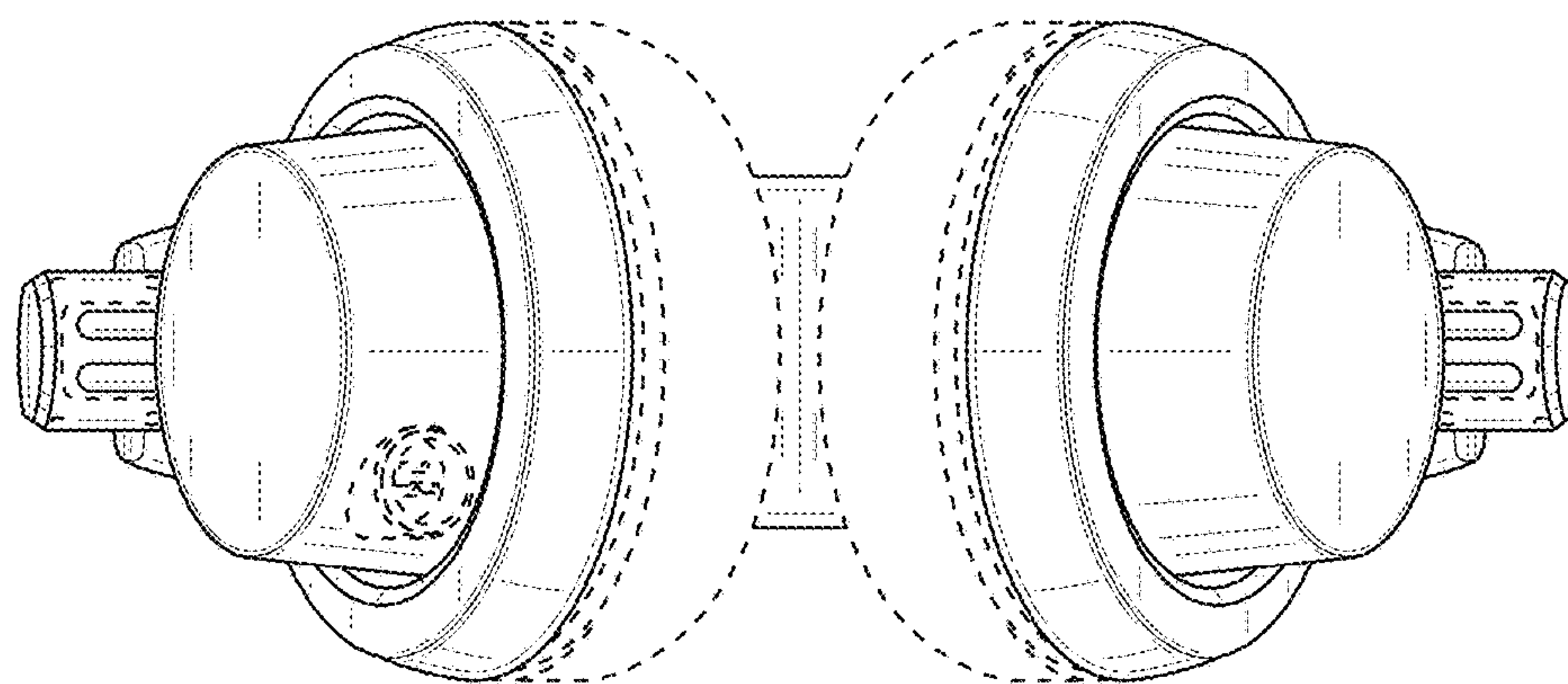


FIG. 7

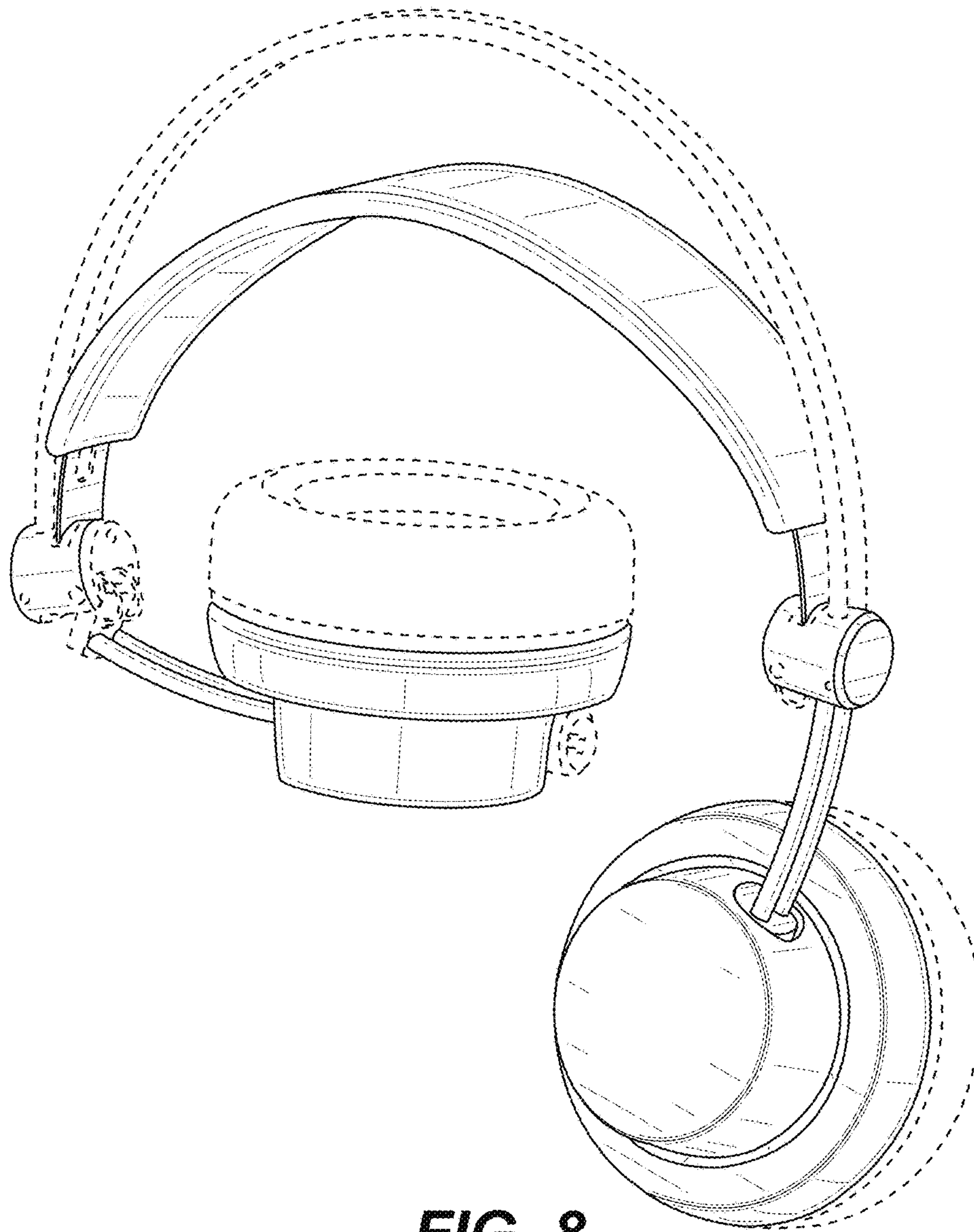


FIG. 8

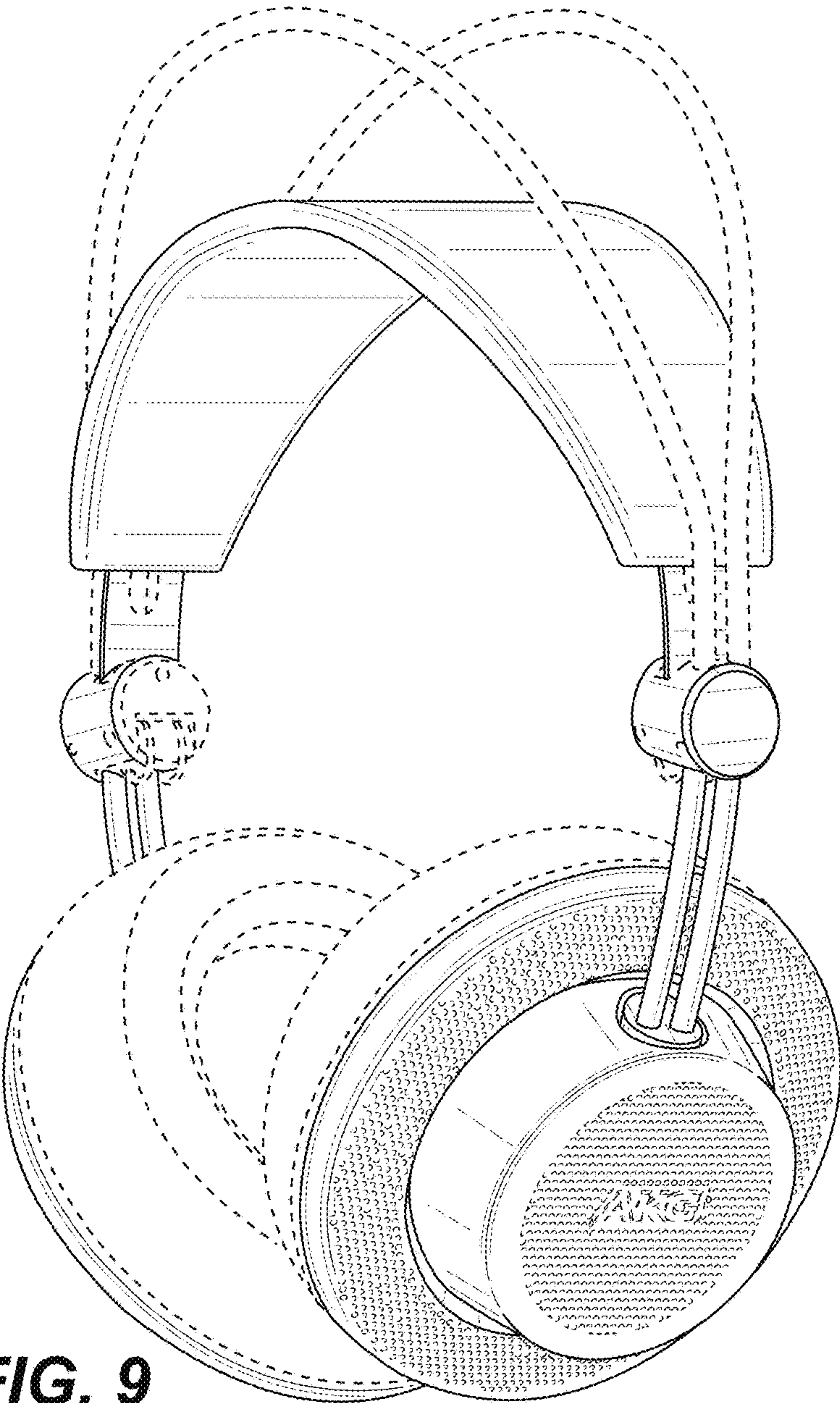


FIG. 9

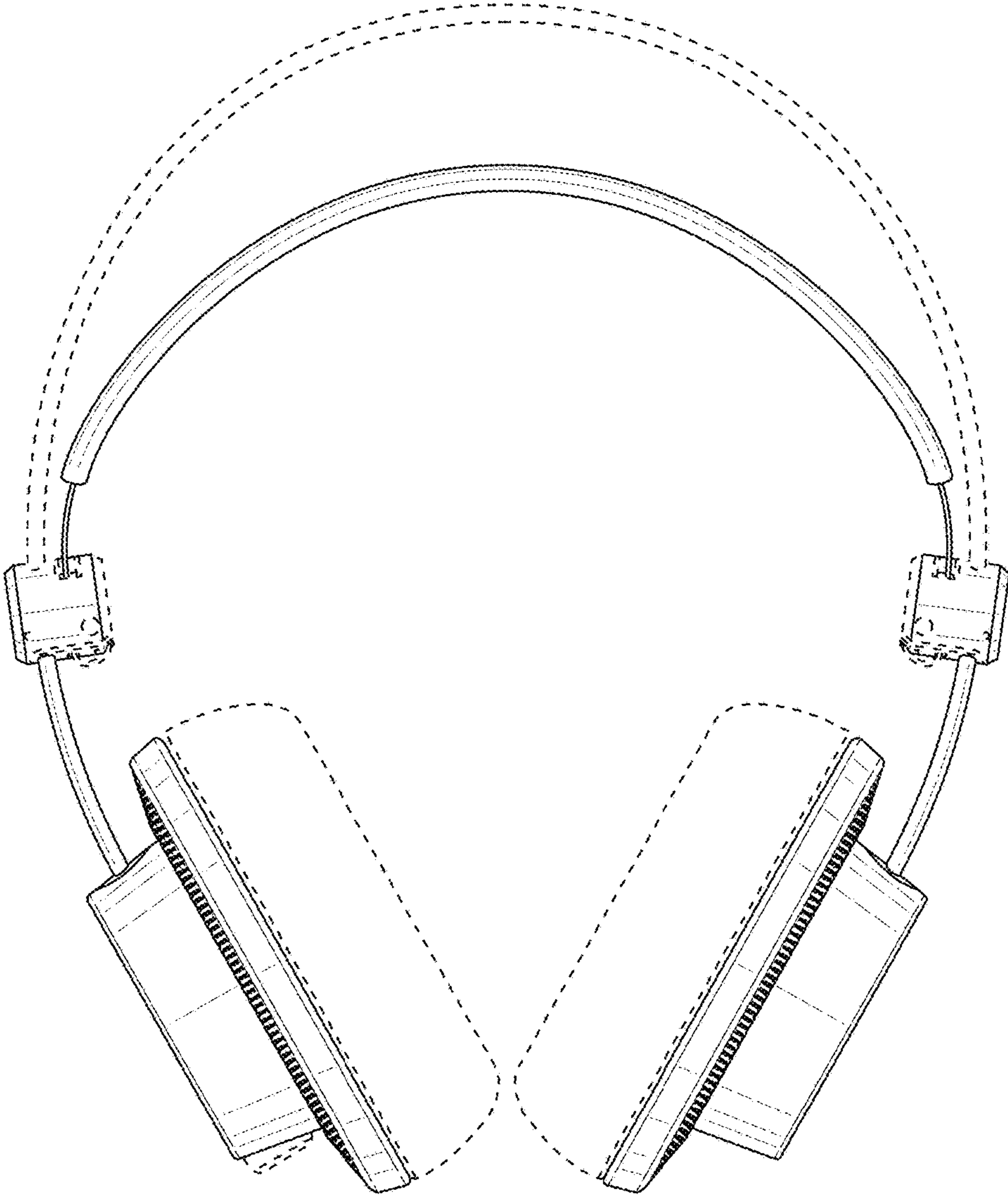


FIG. 10

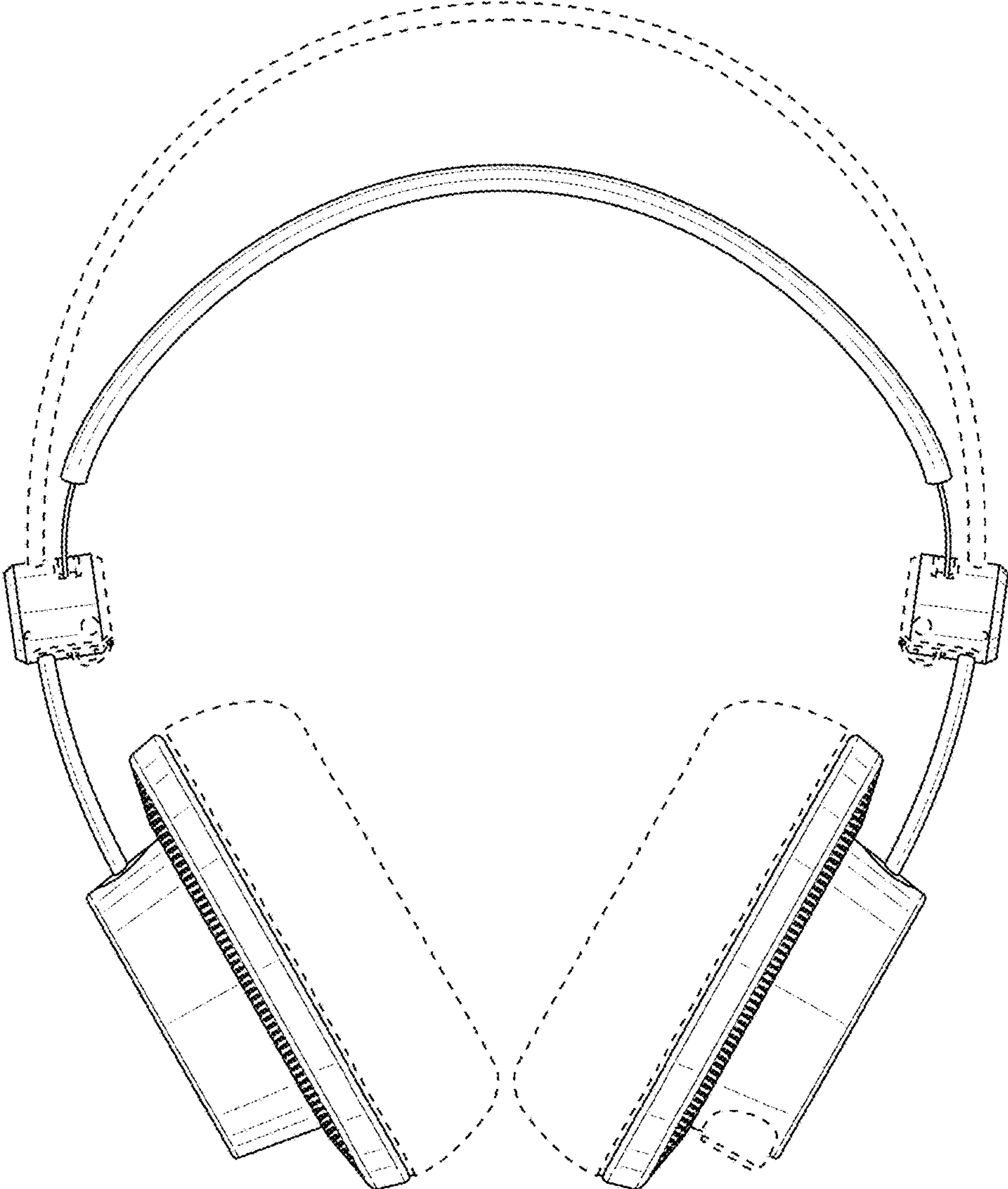


FIG. 11

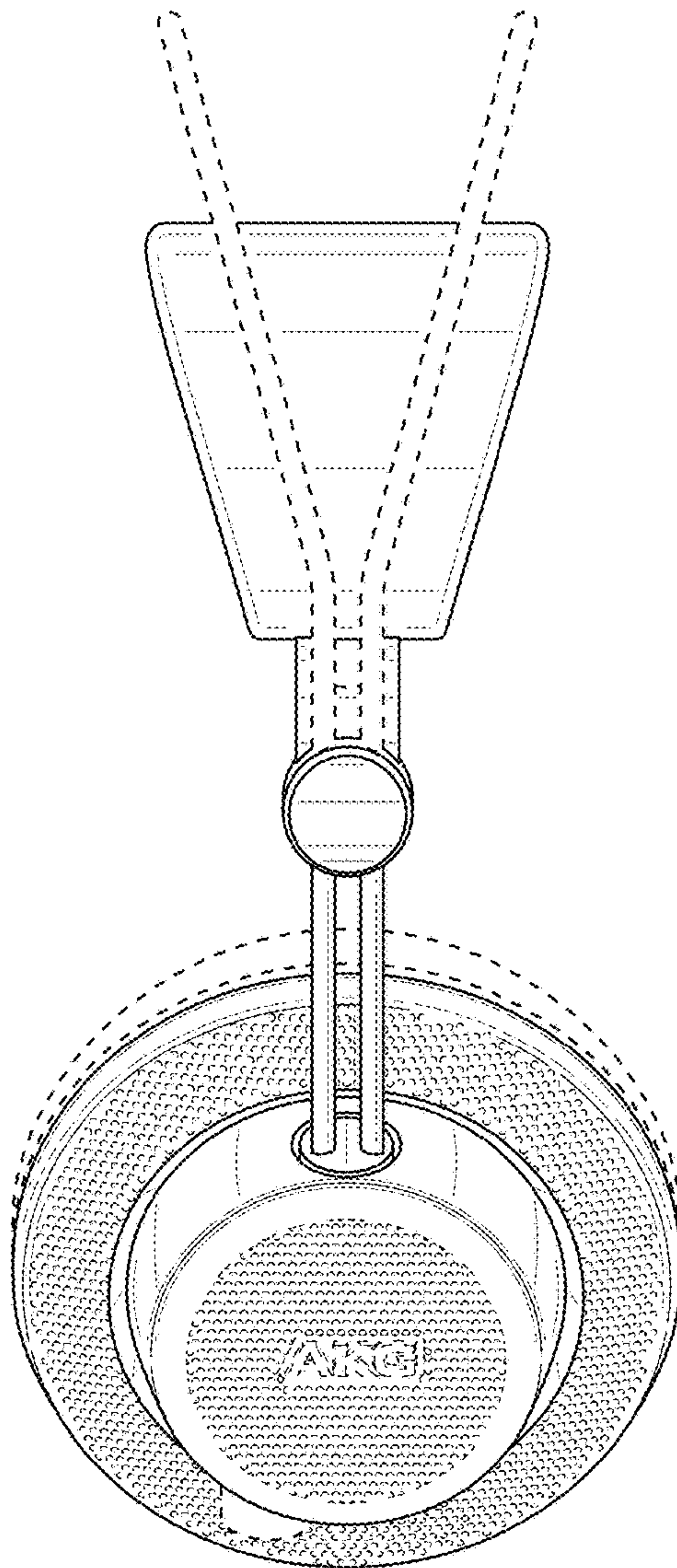


FIG. 12

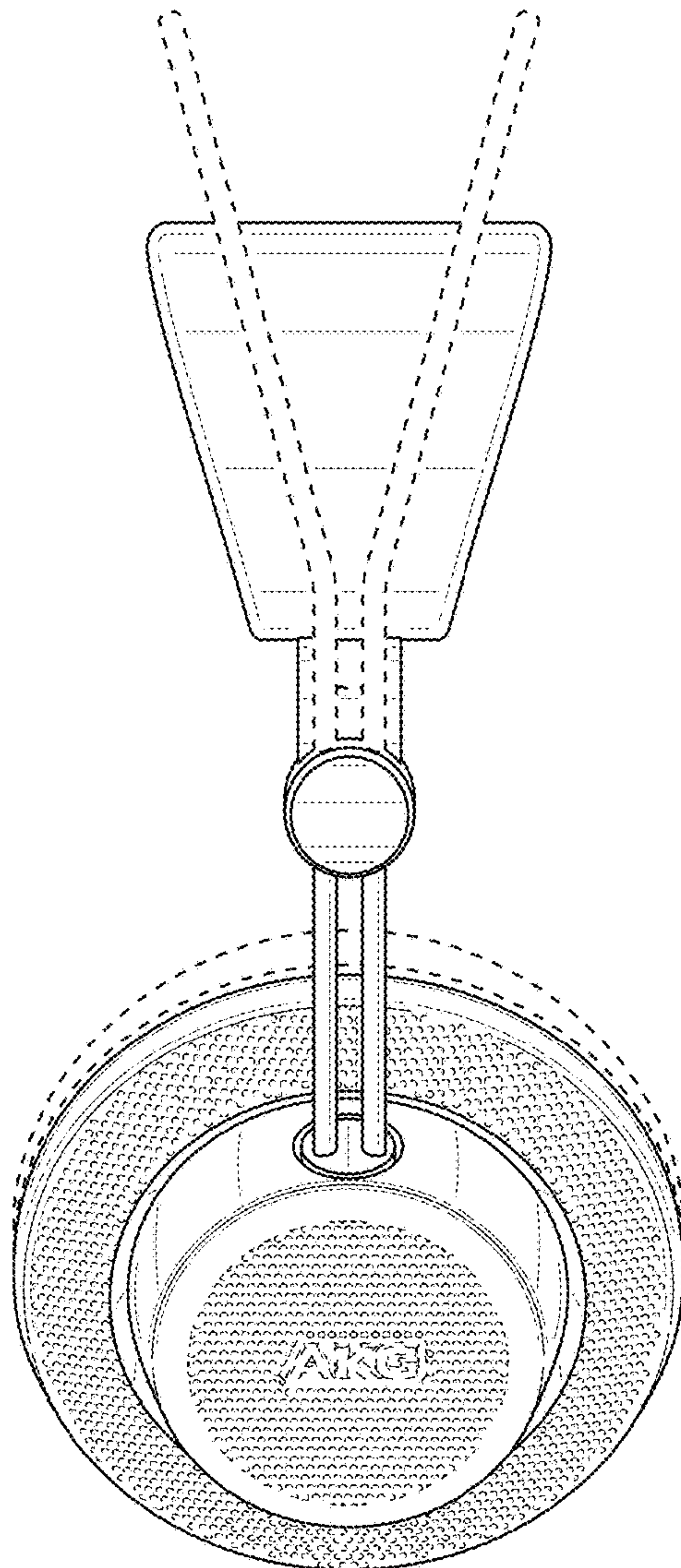


FIG. 13

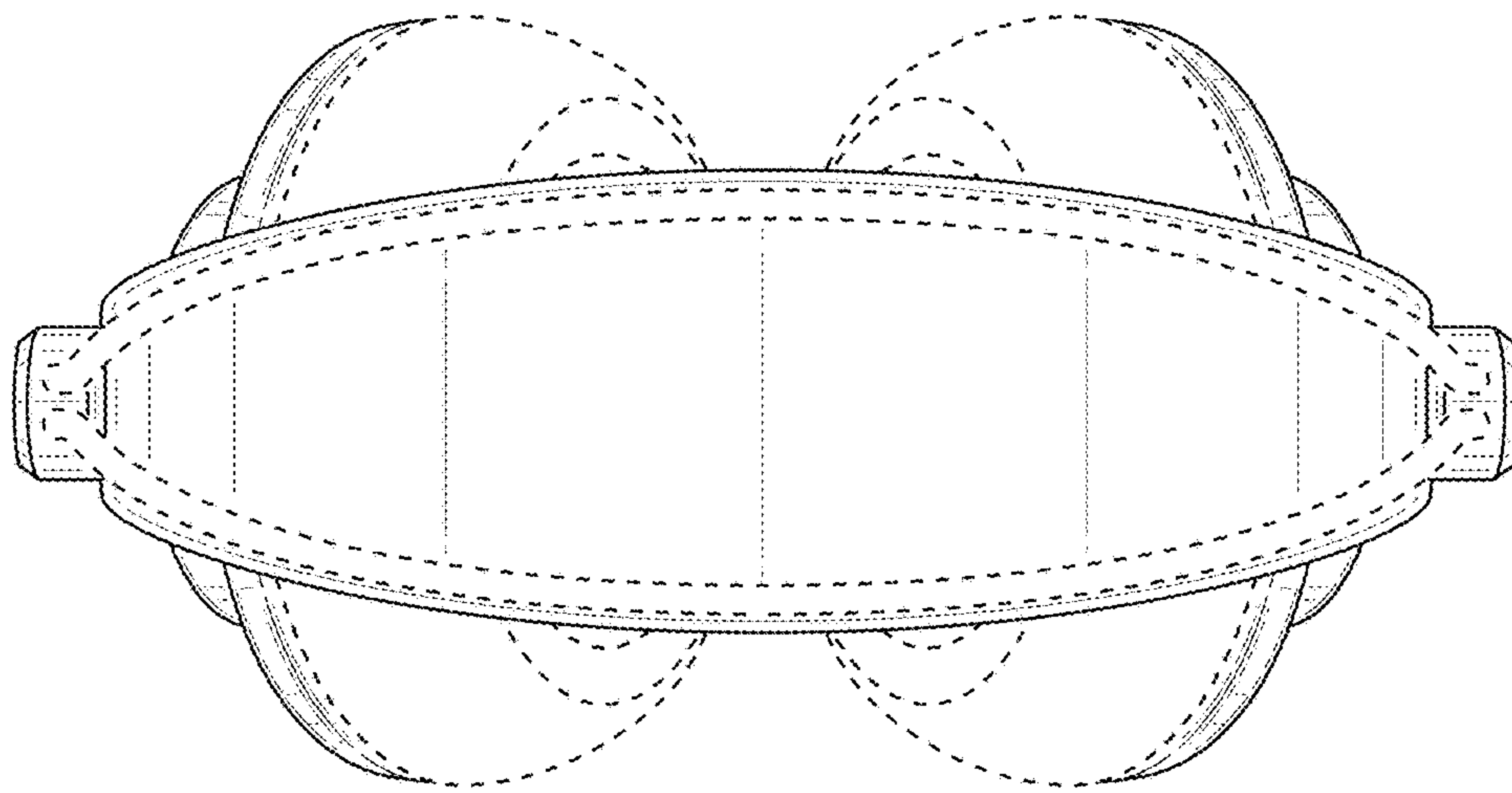


FIG. 14

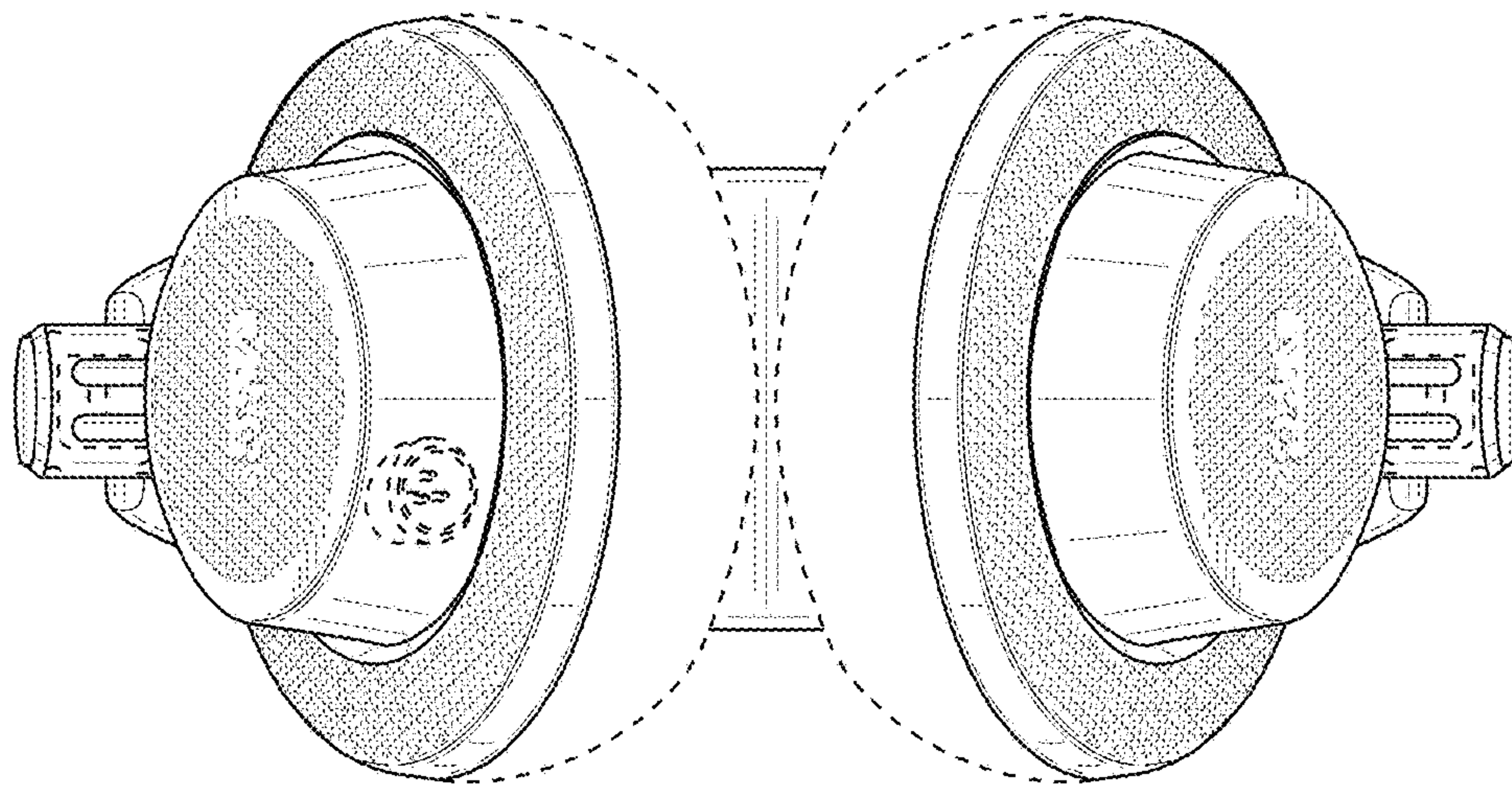


FIG. 15

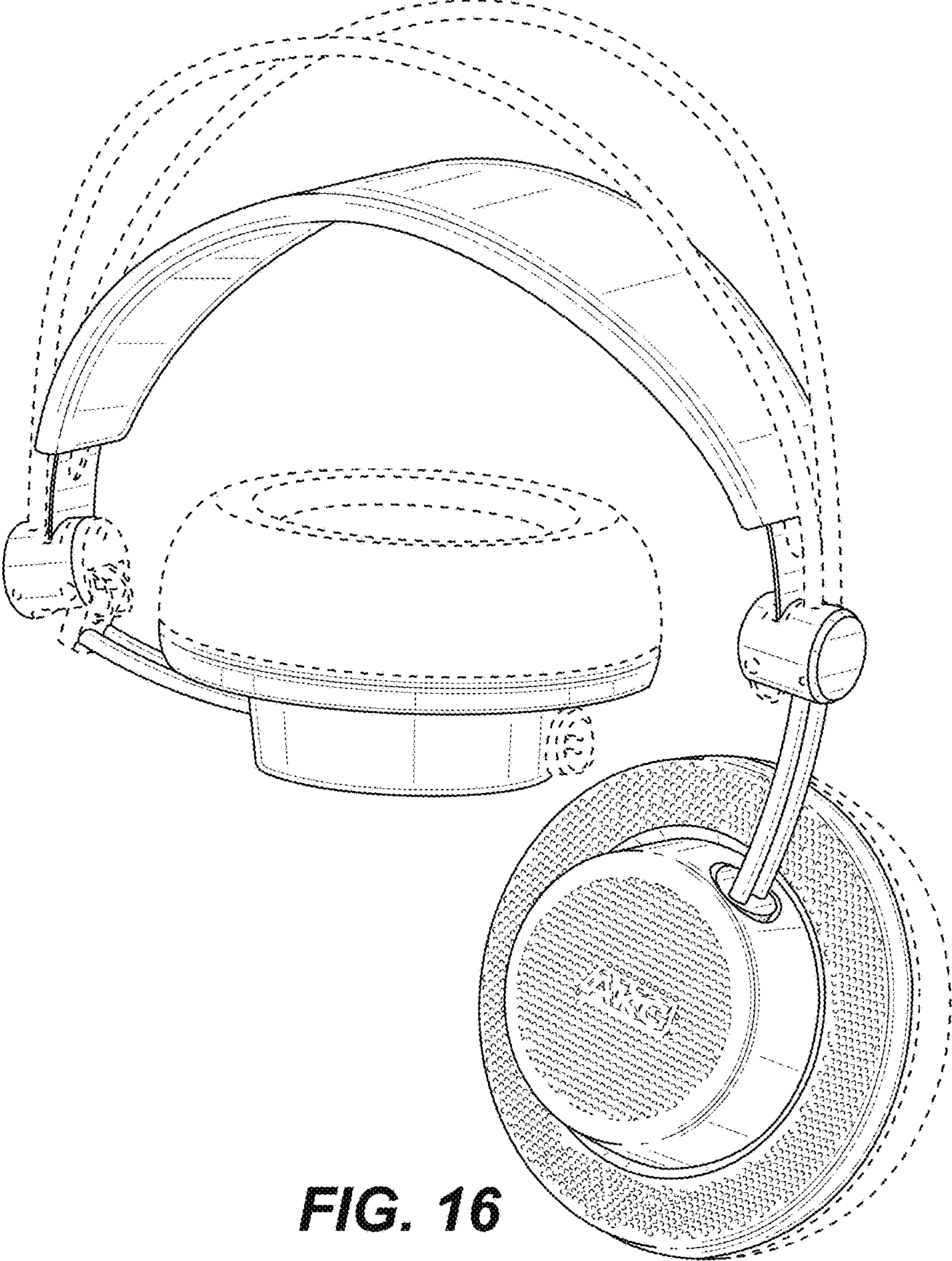


FIG. 16

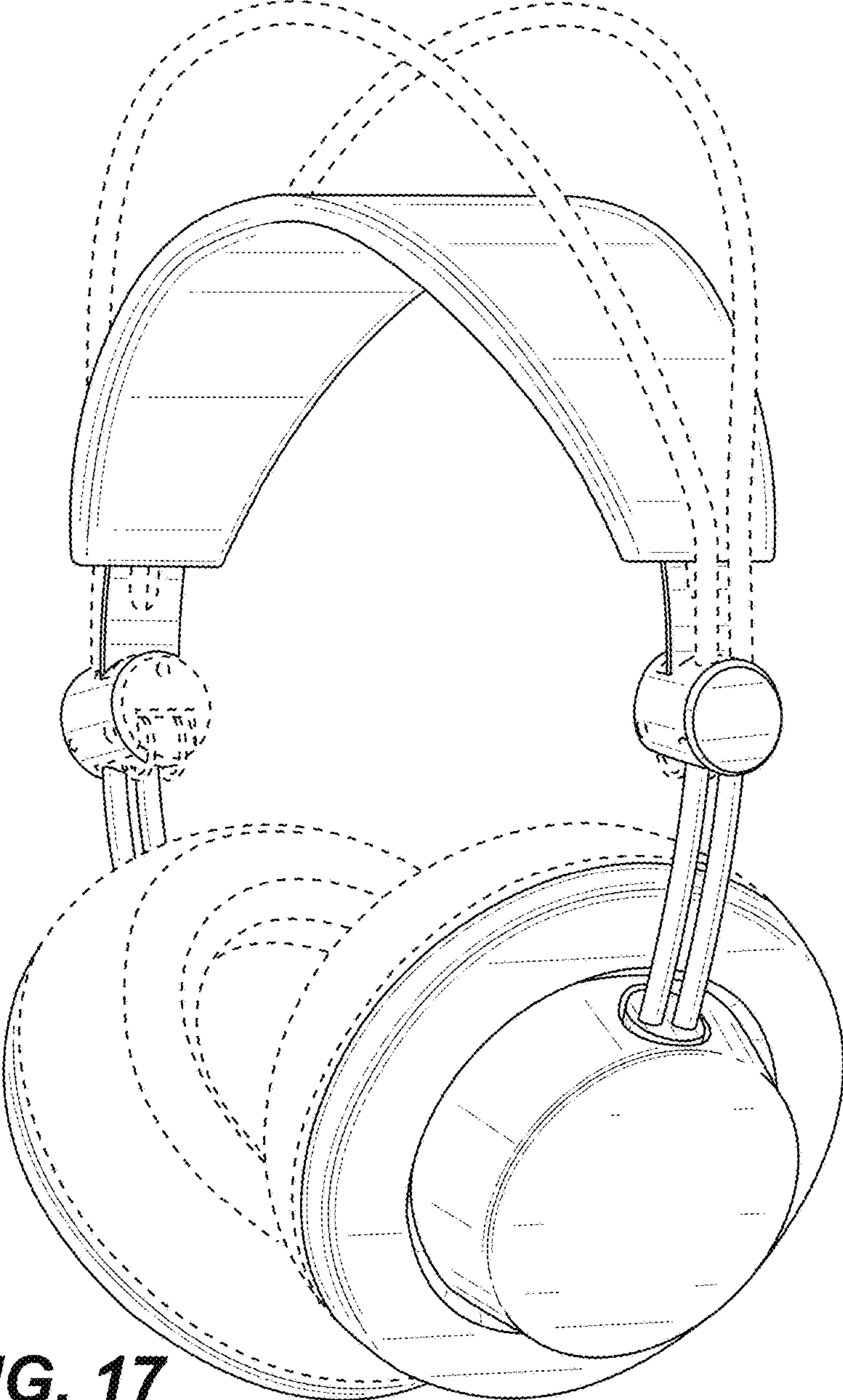


FIG. 17

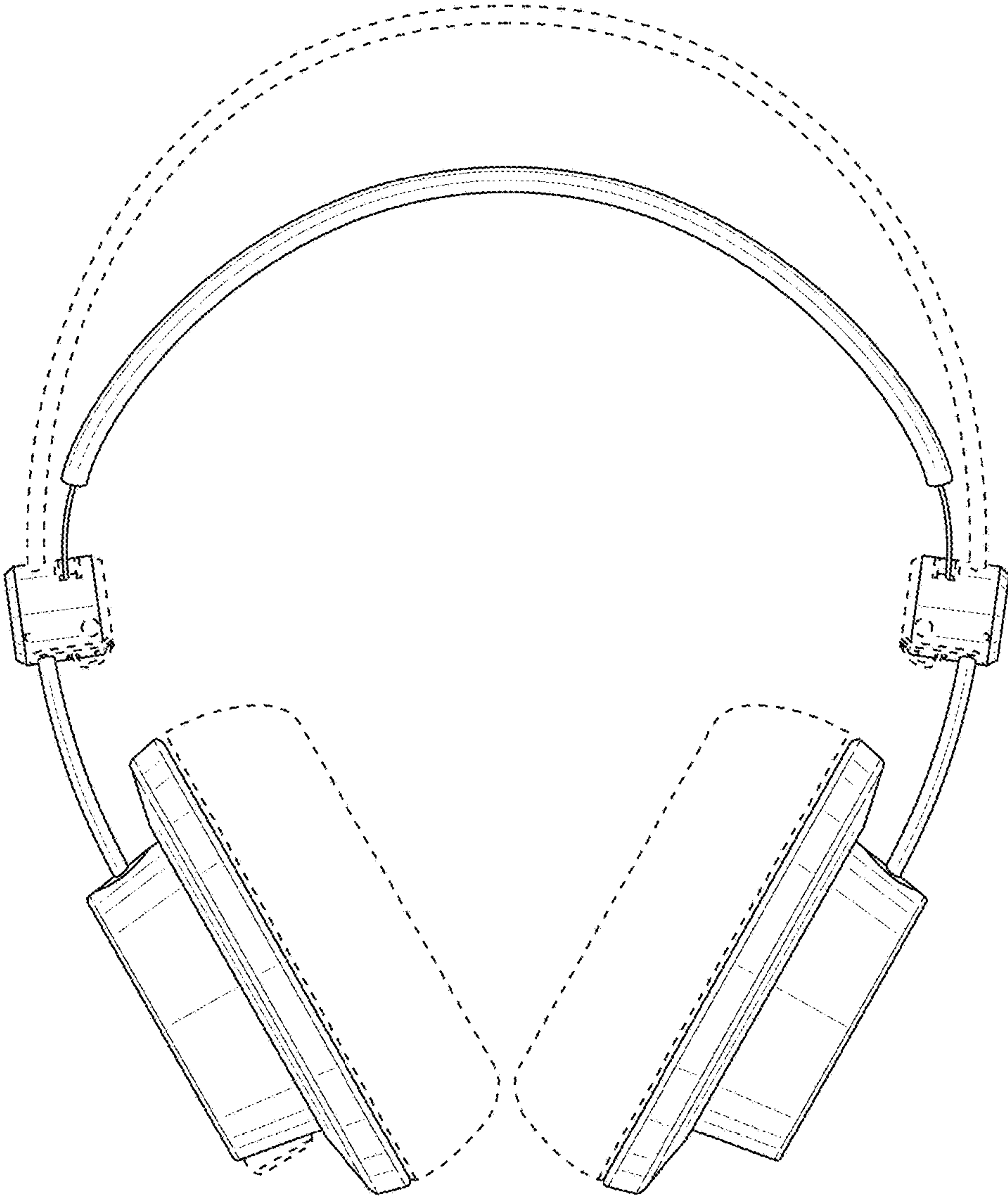


FIG. 18

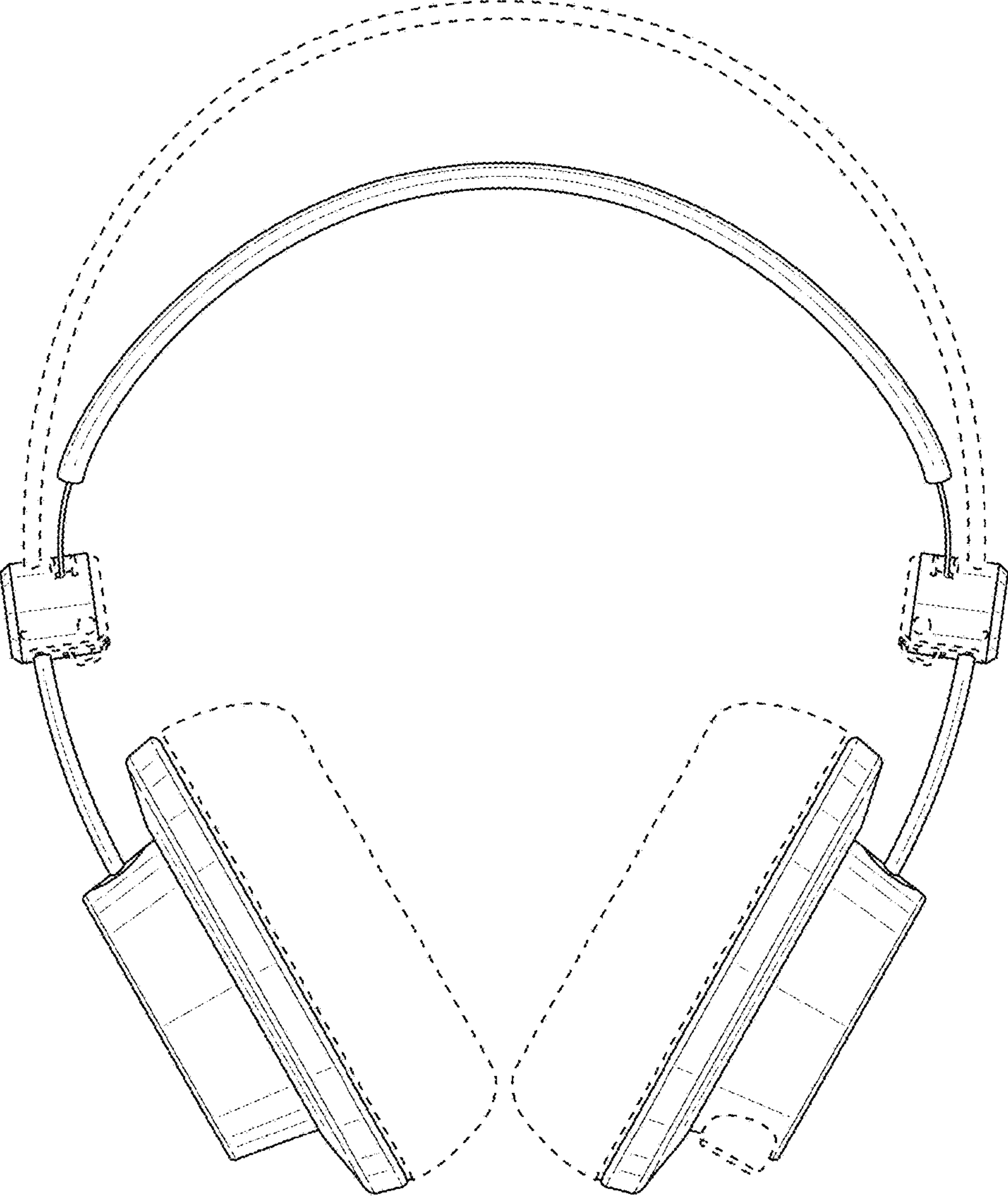


FIG. 19

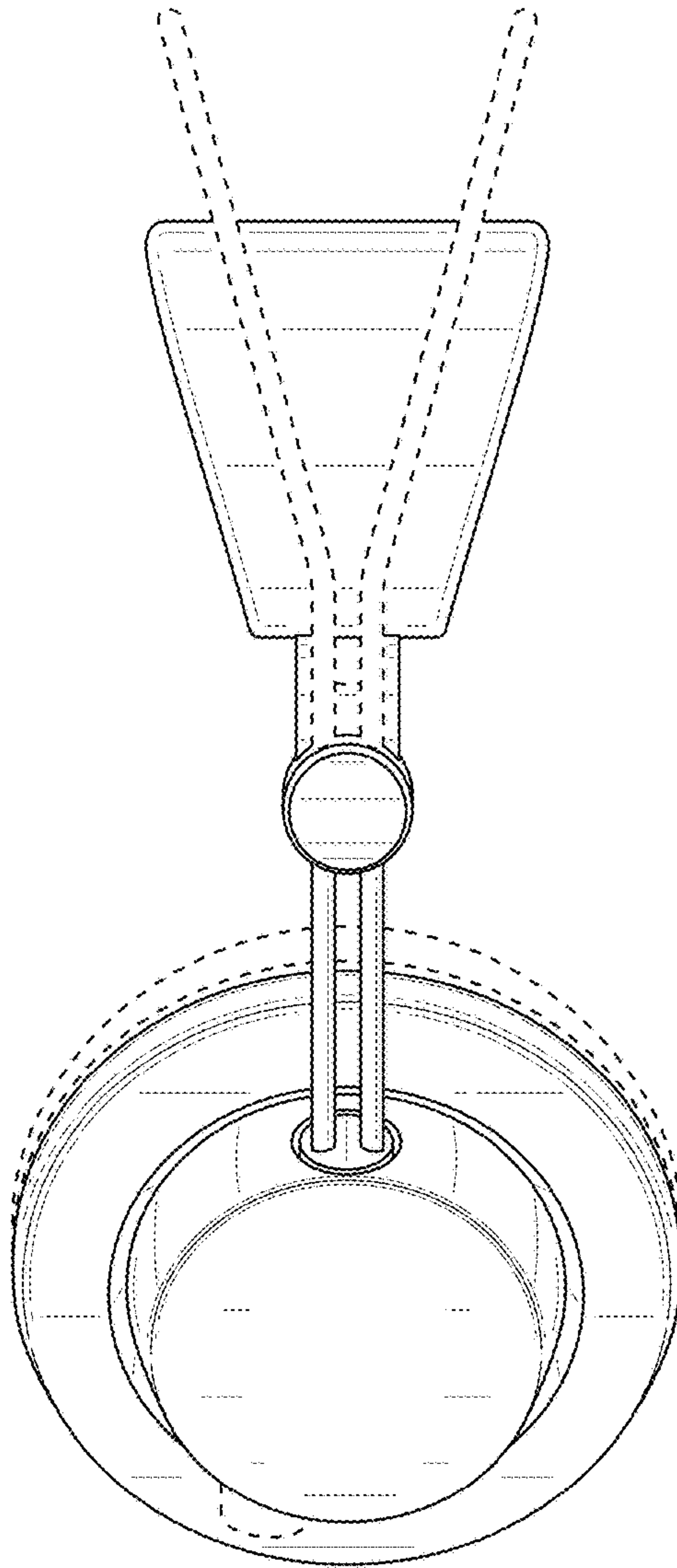


FIG. 20

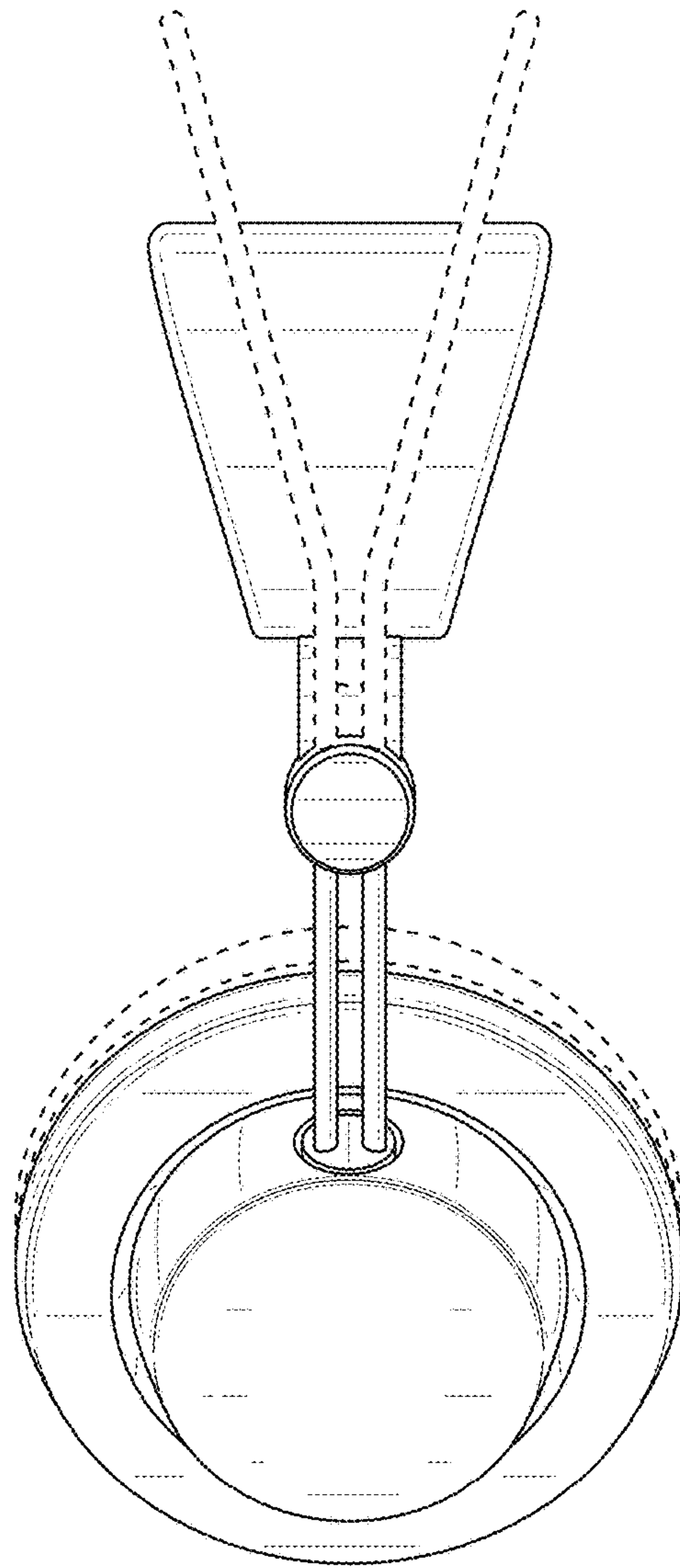


FIG. 21

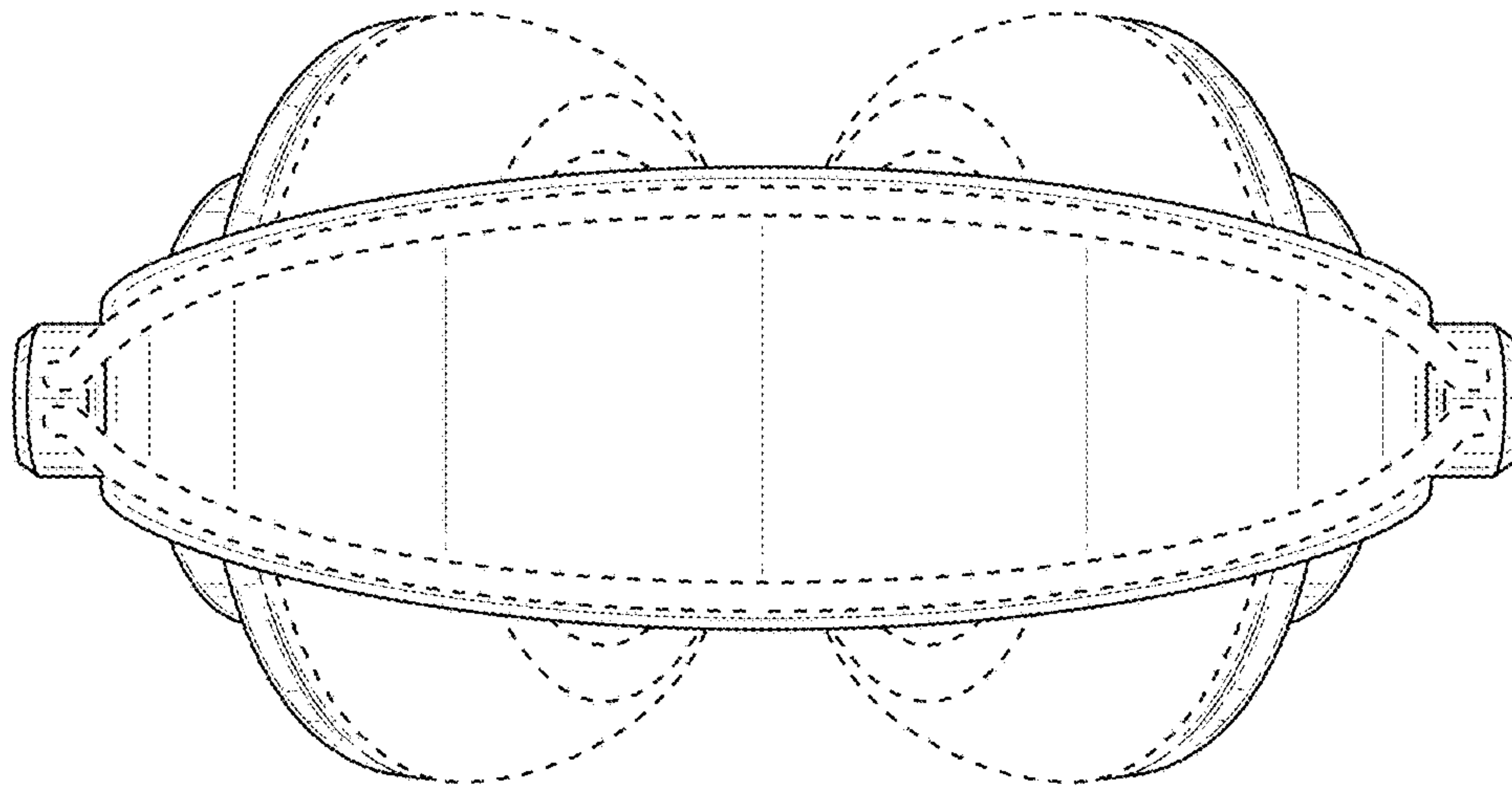


FIG. 22

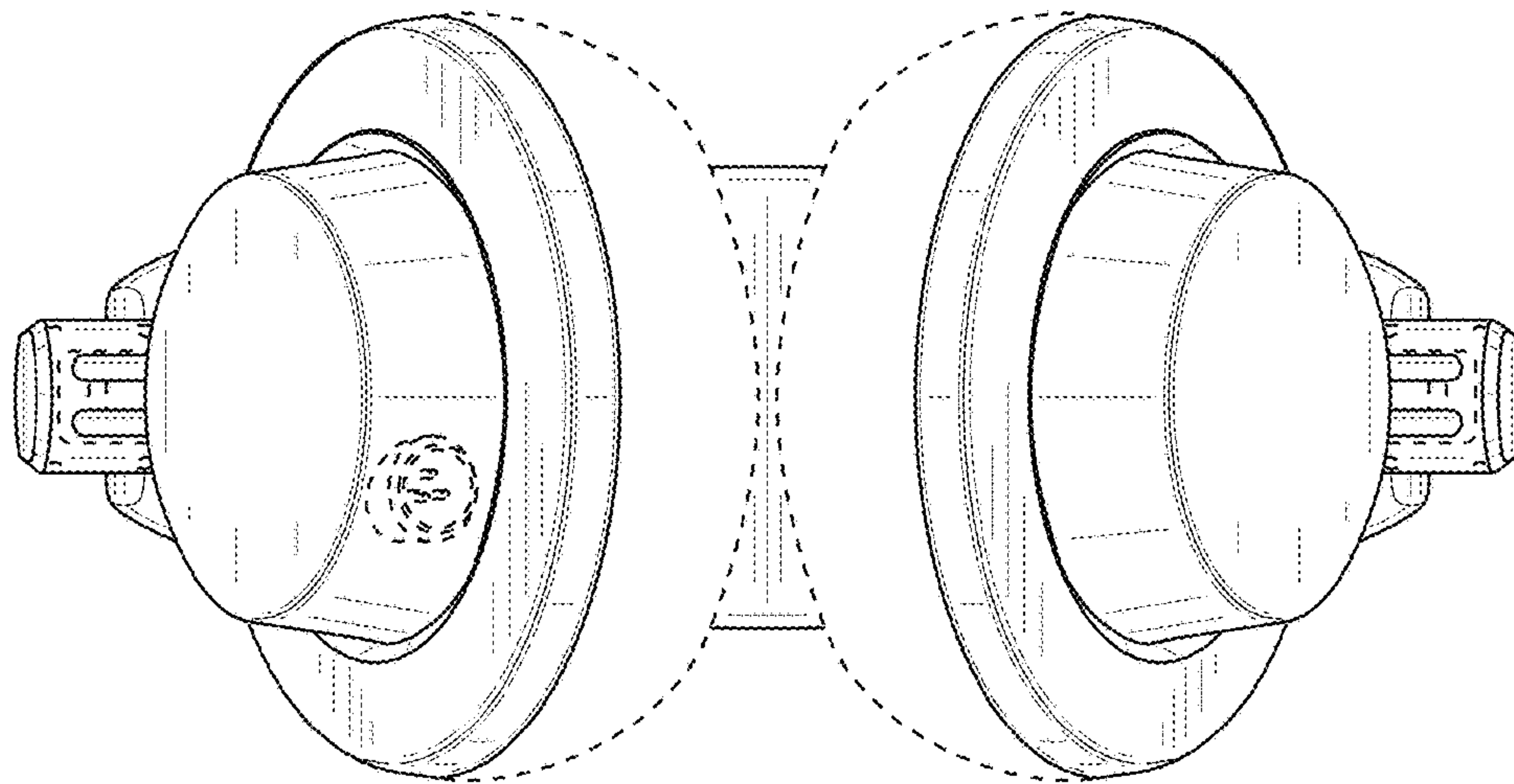


FIG. 23

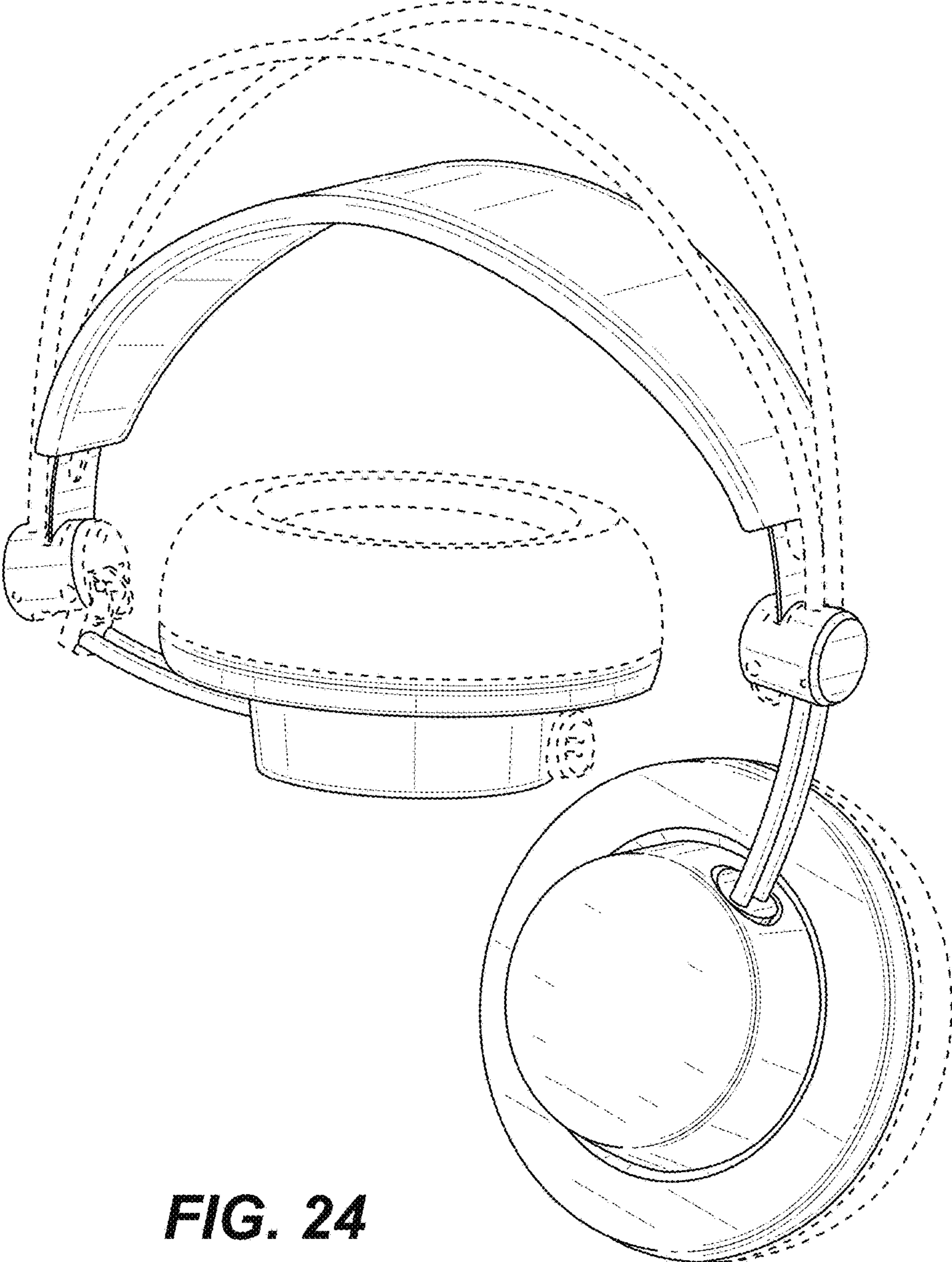


FIG. 24