



US00D849704S

(12) **United States Design Patent**
Kim et al.

(10) **Patent No.:** **US D849,704 S**
(45) **Date of Patent:** **** May 28, 2019**

(54) **WEARABLE ELECTRONIC DEVICE**

FOREIGN PATENT DOCUMENTS

(71) Applicant: **SAMSUNG ELECTRONICS CO., LTD.**, Suwon-si, Gyeonggi-do (KR)

EM 002426320-0001 3/2014

(72) Inventors: **Jaewon Kim**, Suwon-si (KR); **Sunki Kim**, Suwon-si (KR); **Woonhee Park**, Anyang-si (KR); **Jaehung Park**, Suwon-si (KR); **Dongjae Lee**, Seoul (KR)

OTHER PUBLICATIONS

Samsung Ahead Smart Helmet Trademarked. sportswearable.net. (online) 2 pgs. Posted Jun. 6, 2016. [Retrieved on May 15, 2018] <http://www.sportswearable.net/samsung-ahead-smart-helmet-trademarked/>.*

(73) Assignee: **SAMSUNG ELECTRONICS CO., LTD.**, Gyeonggi-Do (KR)

(Continued)

(**) Term: **15 Years**

Primary Examiner — Marie D. Fast Horse

(21) Appl. No.: **29/588,867**

(74) *Attorney, Agent, or Firm* — Cantor Colburn LLP

(22) Filed: **Dec. 23, 2016**

(57) **CLAIM**

(30) **Foreign Application Priority Data**

The ornamental design for a wearable electronic device, as shown and described.

Jun. 28, 2016 (KR) 30-2016-0031399

(51) **LOC (11) Cl.** **14-03**

(52) **U.S. Cl.**
USPC **D14/137; D14/356**

(58) **Field of Classification Search**
USPC D14/137, 138 R, 140, 141.1, 142, 144, D14/147, 149, 150, 155, 168, 172, 192, D14/195, 203.1, 203.6, 204, 205, 209.1, D14/211, 212, 213, 215, 216, 221, 223, D14/225, 226, 228, 240, 242, 243, 248, D14/299, 496, 509, 125, 356, 357, 358, D14/367, 388, 300, 344, 474; D13/108, D13/110, 133, 184, 199, 162, 162.1, 168; D10/46, 75, 104.1, 106.1, 106.2, 106.3, D10/106.5, 106.6, 106.92, 106.93, 114.6,
(Continued)

DESCRIPTION

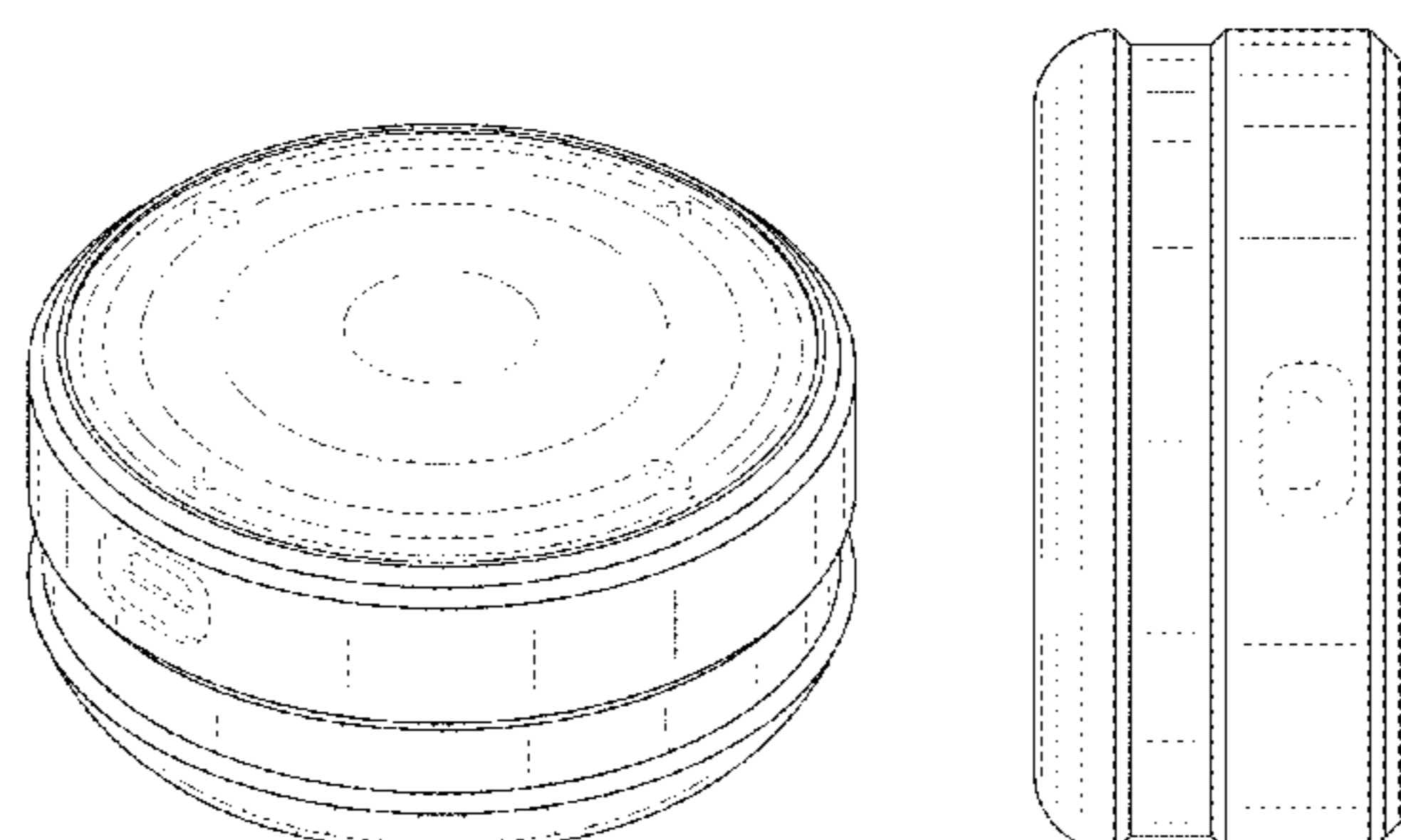
FIG. 1 is a front perspective view of a wearable electronic device showing our new design;
FIG. 2 is a front view thereof;
FIG. 3 is a rear view thereof;
FIG. 4 is a left-side view thereof;
FIG. 5 is a right-side view thereof;
FIG. 6 is a top view thereof;
FIG. 7 is a bottom view thereof; and,
FIG. 8 is another front view thereof mounted on a helmet. The broken lines in FIG. 8 showing the helmet depict environmental subject matter only and form no part of the claim, while all other broken lines depict portions of the electronic device that form no part of the claimed design. The claim extends to the innermost shade line in FIG. 3, but does not include any unshaded surfaces beyond these shade lines.

(56) **References Cited**

U.S. PATENT DOCUMENTS

D249,508 S * 9/1978 Coughlin D14/223
D264,141 S * 5/1982 Hellberg D29/122
(Continued)

1 Claim, 5 Drawing Sheets



- (58) **Field of Classification Search**
 USPC D10/114.9, 104.2, 121, 132; D29/103,
 D29/122; D24/168, 185, 186, 187
 CPC H04M 1/6058; H04M 1/6066; H04R 1/08;
 H04R 1/1041; H04R 1/105; H04R
 1/1066; A42B 3/14; A42B 3/16; A42B
 3/30
 See application file for complete search history.

(56) **References Cited**
 U.S. PATENT DOCUMENTS

4,473,130 A * 9/1984 Korber A42B 3/30
 181/128
 D284,612 S * 7/1986 Gorman D14/185
 D295,173 S * 4/1988 Oren D14/168
 4,833,726 A * 5/1989 Shinoda A42B 3/30
 381/376
 D325,207 S * 4/1992 Dix D14/188
 D352,706 S * 11/1994 Hong D14/137
 D371,793 S * 7/1996 Patton D14/218
 D382,307 S * 8/1997 Sharpe, III D14/188
 D384,076 S * 9/1997 Lazzeroni D14/216
 D387,062 S * 12/1997 Heine D10/72
 D414,476 S * 9/1999 Hibino D13/101
 D418,837 S * 1/2000 Ishii D14/218
 D479,224 S * 9/2003 Jeong D14/206
 D512,417 S * 12/2005 Hirakawa D14/223
 D522,499 S * 6/2006 Marcichow D14/225
 D552,595 S * 10/2007 Viduya D14/205
 D570,055 S * 5/2008 Ferrara D29/122
 D584,456 S * 1/2009 Ferrara D29/122
 D589,654 S * 3/2009 Juhlin D29/122
 D590,391 S * 4/2009 Sumii D14/356
 D598,003 S * 8/2009 Park D14/149
 D602,911 S * 10/2009 Wang D14/216
 D602,915 S * 10/2009 Song D14/218
 D602,916 S * 10/2009 Won D14/218
 D603,103 S * 10/2009 Ferrara D29/122
 D617,314 S * 6/2010 Zha D14/216
 D622,685 S * 8/2010 Garra D14/137
 D625,052 S * 10/2010 Mastoras D29/122
 D628,993 S * 12/2010 Steyn D14/225
 D661,213 S * 6/2012 Hojmose D10/106.2
 D663,715 S * 7/2012 Glezerman D14/205
 D691,107 S * 10/2013 Takeno D14/205
 D691,579 S * 10/2013 Lee D14/205
 D694,740 S * 12/2013 Apostolakis D14/240
 D695,258 S * 12/2013 Hauser D14/155
 D699,222 S * 2/2014 Paslawski D14/216
 D700,075 S * 2/2014 Bould D10/49
 D708,164 S * 7/2014 Ishikura D14/205
 D709,880 S * 7/2014 Kim D14/372
 D710,329 S * 8/2014 Holzer D14/216
 D710,826 S * 8/2014 Holzer D14/216
 D719,138 S * 12/2014 Schwartz D14/216
 D728,512 S * 5/2015 Nakagawa D14/205
 D728,522 S * 5/2015 Zhang D14/216
 D728,526 S * 5/2015 Zhang D14/216
 D729,212 S * 5/2015 Adams D14/205
 9,060,221 B1 * 6/2015 Kaplan A42B 3/30
 D736,166 S * 8/2015 Kuh D14/125
 D736,182 S * 8/2015 Poandl D14/216
 D742,359 S * 11/2015 Zhao D14/216
 D743,374 S * 11/2015 Kim
 D743,379 S * 11/2015 Kim D14/215
 D743,934 S * 11/2015 Komagamine D14/205
 D743,954 S * 11/2015 Chuang D13/168
 D746,166 S * 12/2015 Li D13/168
 D746,790 S * 1/2016 Strasberg D14/205

D747,984 S * 1/2016 Zhao D10/52
 D750,039 S * 2/2016 Ahn D14/205
 D751,538 S * 3/2016 Koehler D14/240
 D755,750 S * 5/2016 Chen D14/172
 D758,989 S * 6/2016 Vogt, Jr. D14/204
 D758,991 S * 6/2016 Petersen D14/205
 D759,652 S * 6/2016 Aumiller D14/344
 D760,697 S * 7/2016 Zhao D14/216
 D763,210 S * 8/2016 Park D14/125
 D763,223 S * 8/2016 Czaniecki D14/205
 D768,631 S * 10/2016 Epstein D14/388
 D769,225 S * 10/2016 Hua D14/216
 D770,430 S * 11/2016 Lee D14/240
 D771,019 S * 11/2016 Lee D14/216
 D780,713 S * 3/2017 Szymanski D14/205
 D780,727 S * 3/2017 Wang D14/223
 D781,269 S * 3/2017 Choe D14/223
 D782,120 S * 3/2017 Patel D29/122
 D782,441 S * 3/2017 Morrison D14/204
 D783,609 S * 4/2017 Mikelson D14/356
 D784,287 S * 4/2017 Murray D14/168
 D786,829 S * 5/2017 Wang D14/204
 D792,468 S * 7/2017 Langhammer D14/203.3
 D792,865 S * 7/2017 Park D14/138 R
 D793,356 S * 8/2017 Hardi D14/218
 D794,601 S * 8/2017 Riggs D14/205
 D796,355 S * 9/2017 Cho D10/70
 D797,704 S * 9/2017 Fischer D14/216
 D800,720 S * 10/2017 Kim D14/344
 D800,721 S * 10/2017 Kim D14/344
 D804,531 S * 12/2017 Beck D14/496
 D804,533 S * 12/2017 Mangum D14/496
 D805,056 S * 12/2017 Levine D14/205
 D807,322 S * 1/2018 Damboulev D14/205
 D809,146 S * 1/2018 Gil da Costa D24/186
 D809,951 S * 2/2018 Yang D10/104.1
 D810,045 S * 2/2018 Kim D14/204
 D810,076 S * 2/2018 Lee D14/344
 D814,436 S * 4/2018 Wen D14/150
 D815,149 S * 4/2018 Langhammer D14/496
 D816,051 S * 4/2018 Robbins D14/137
 D816,052 S * 4/2018 Pallakoff D14/137
 D816,053 S * 4/2018 Pallakoff D14/137
 D820,318 S * 6/2018 Mullins D14/496
 D822,717 S * 7/2018 Lim D14/496
 D825,549 S * 8/2018 Lebovitz D14/253
 2006/0062416 A1 * 3/2006 Wu A42B 3/16
 381/376
 2006/0227982 A1 * 10/2006 Miranda A42B 3/14
 381/151
 2011/0034217 A1 * 2/2011 Kushnirov H04R 1/08
 455/569.1
 2011/0319142 A1 * 12/2011 Chen H04M 1/6058
 455/569.1
 2012/0077438 A1 * 3/2012 Jung A42B 3/30
 455/41.2
 2017/0280214 A1 * 9/2017 Koper H04R 1/028

OTHER PUBLICATIONS

Transceivers and Wireless Devices (Design—© Questel) orbit.com.
 [online PDF] 25 pgs. Publish Dates range from Oct. 21, 2015 to Apr.
 6, 2018. [Retrieved on May 15, 2018] <https://sobjprd.questel.fr/export/QPTUJ214/pdf2/a4149cff-8ec7-4611-9352-751f29721129-010446.pdf>.
 This Invisible Wearable Captures + Tracks Your Body Movement.
 [online]. pp. 1-12 [retrieved on Jan. 27, 2017]. Retrieved from the
 Internet:<URL: <http://www.brit.co/notch-body-movement-tracker/>.

* cited by examiner

FIG.1

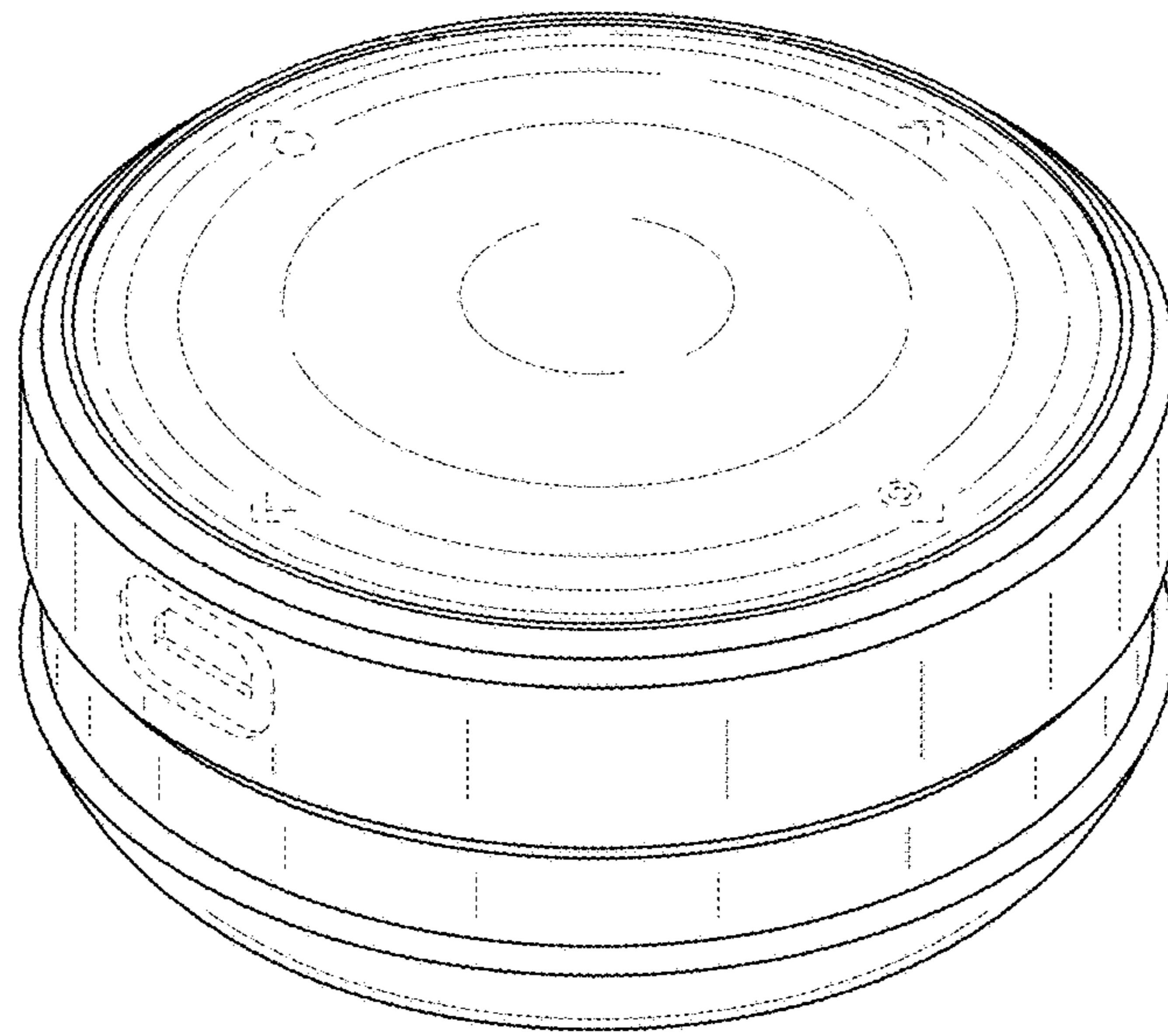


FIG.2

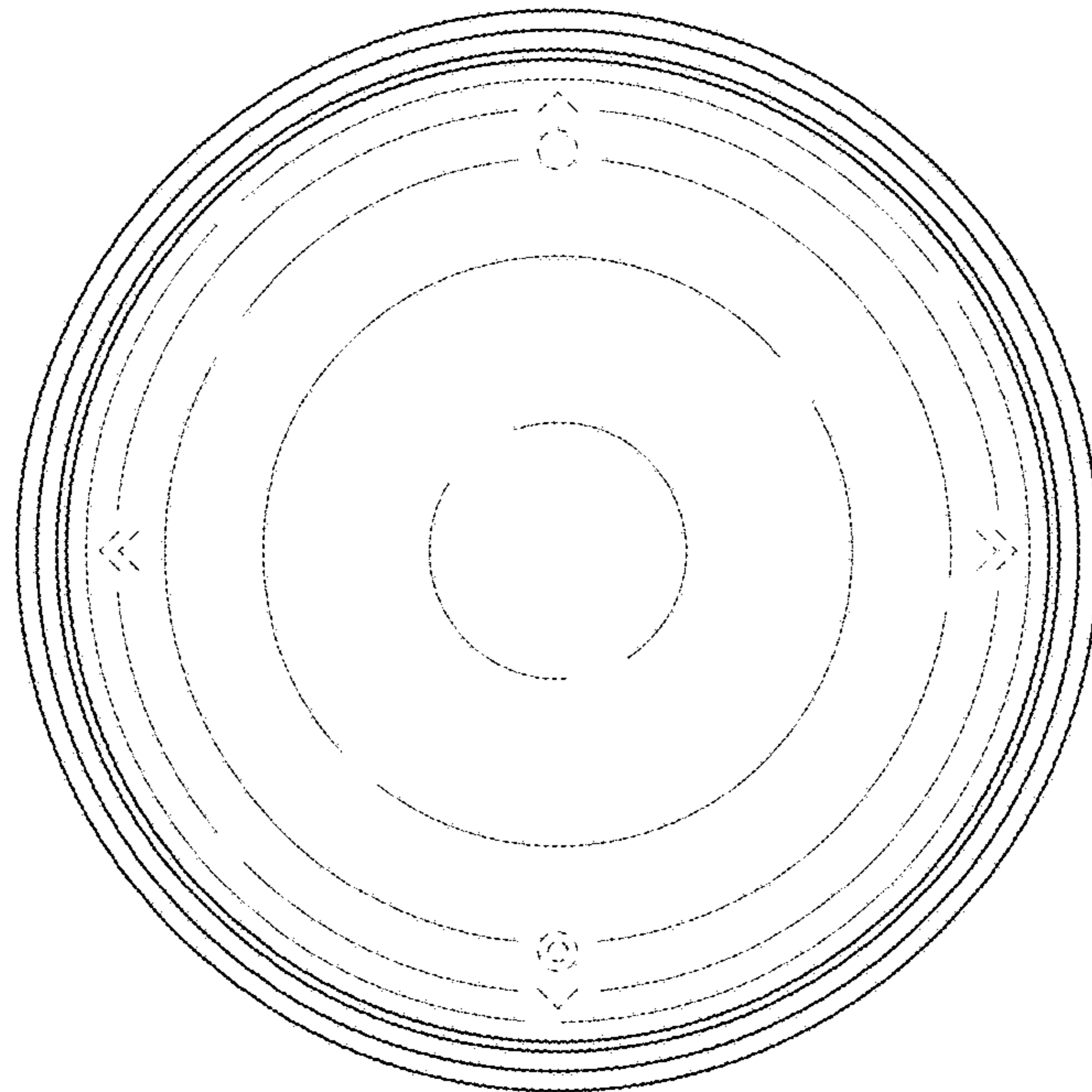


FIG.3

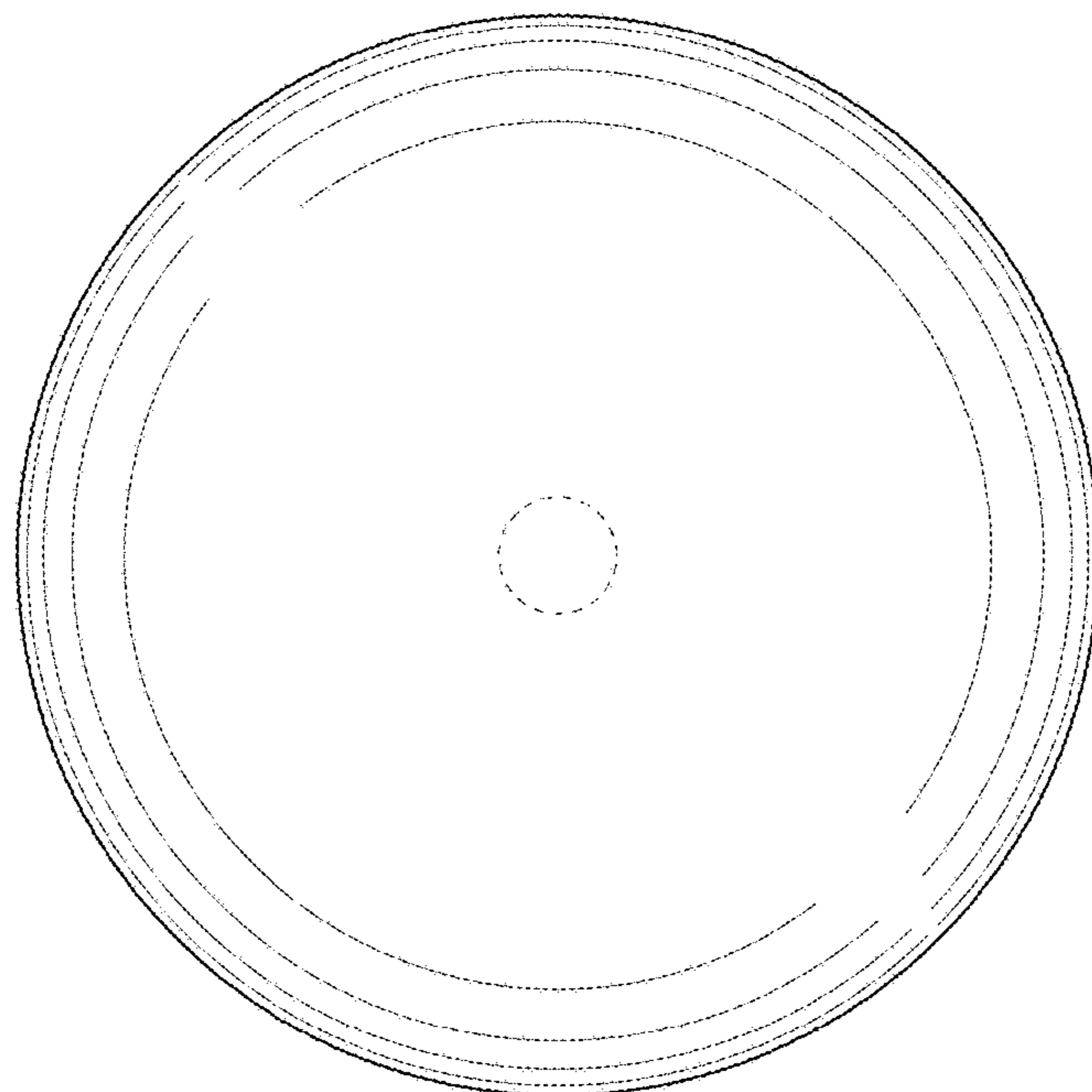


FIG.4

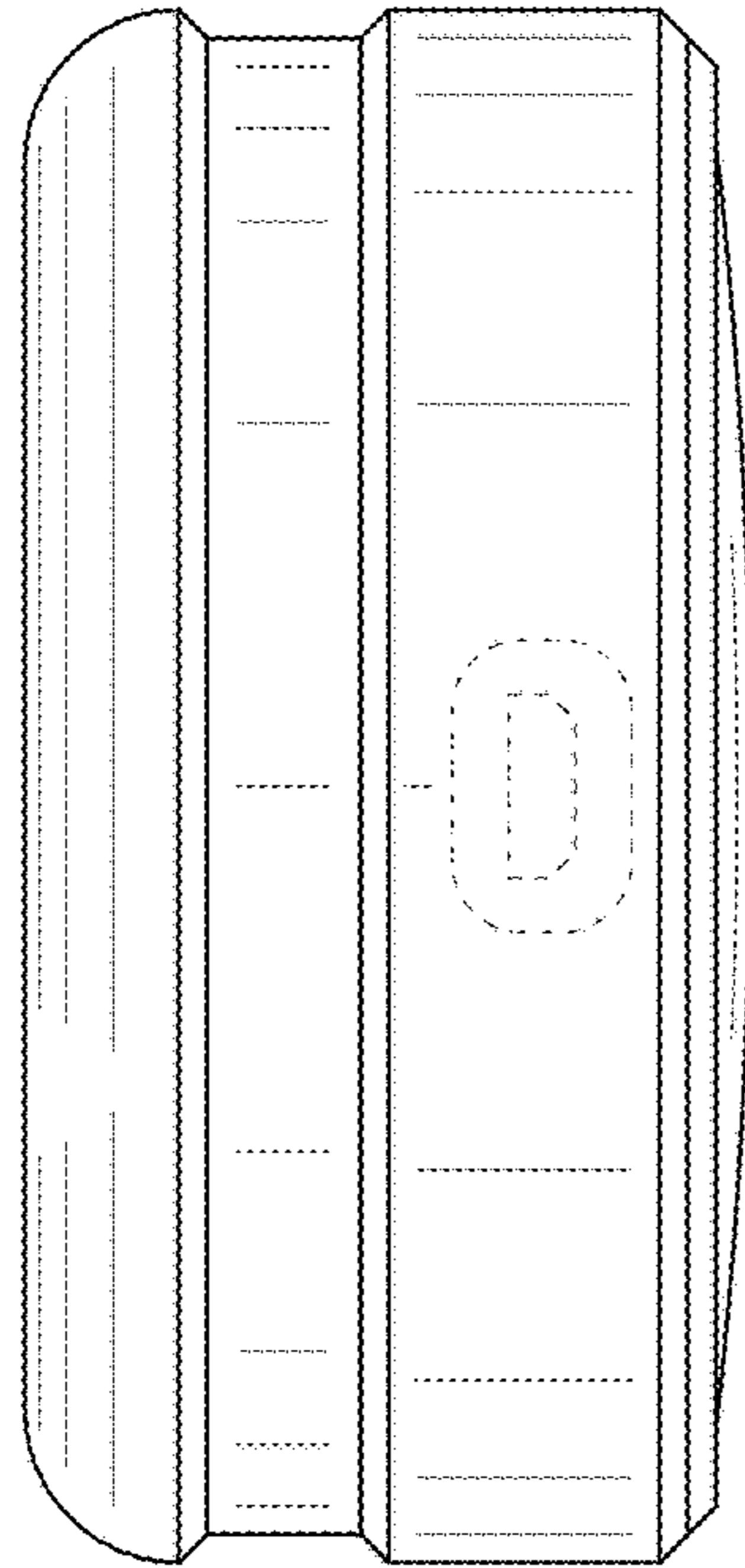


FIG.5

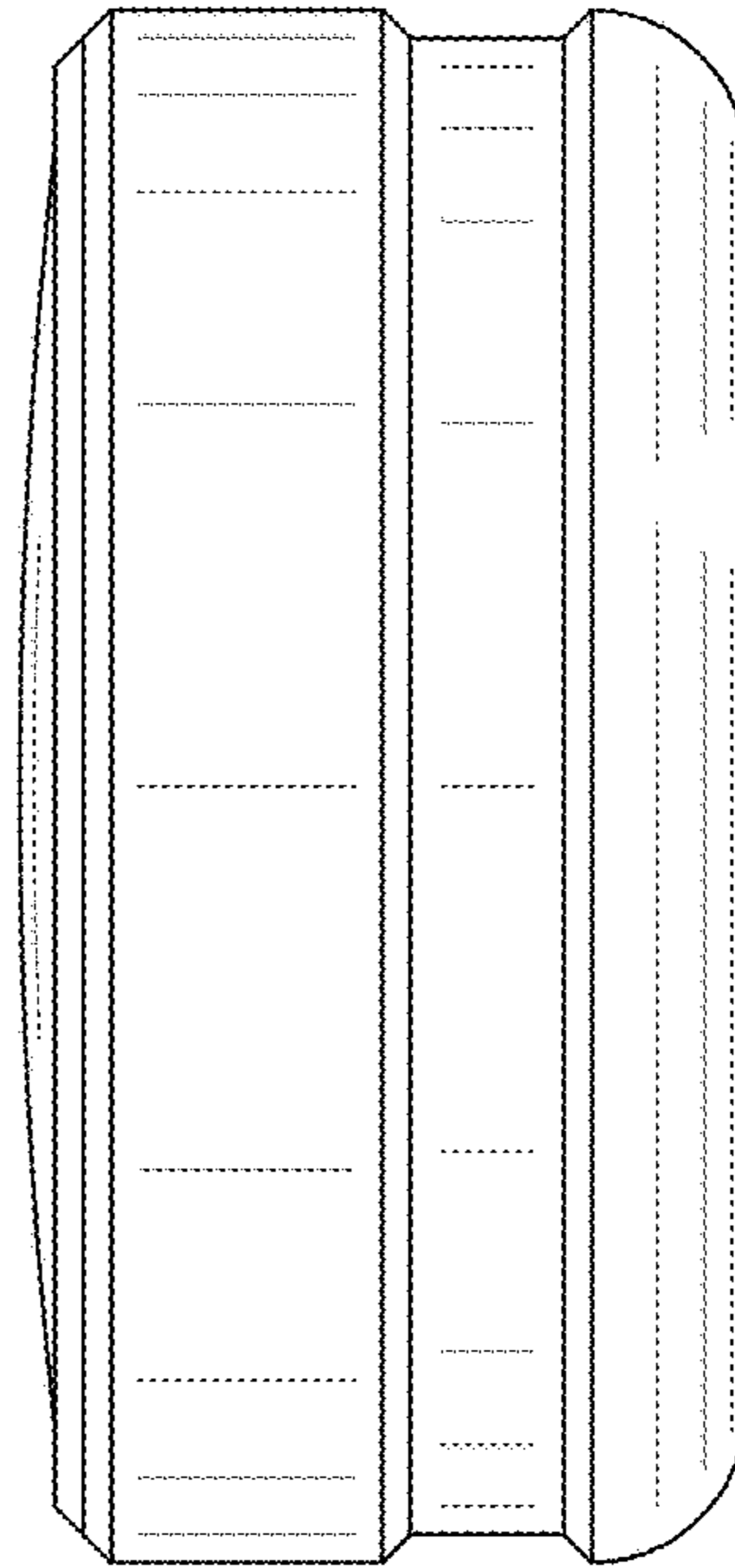


FIG.6

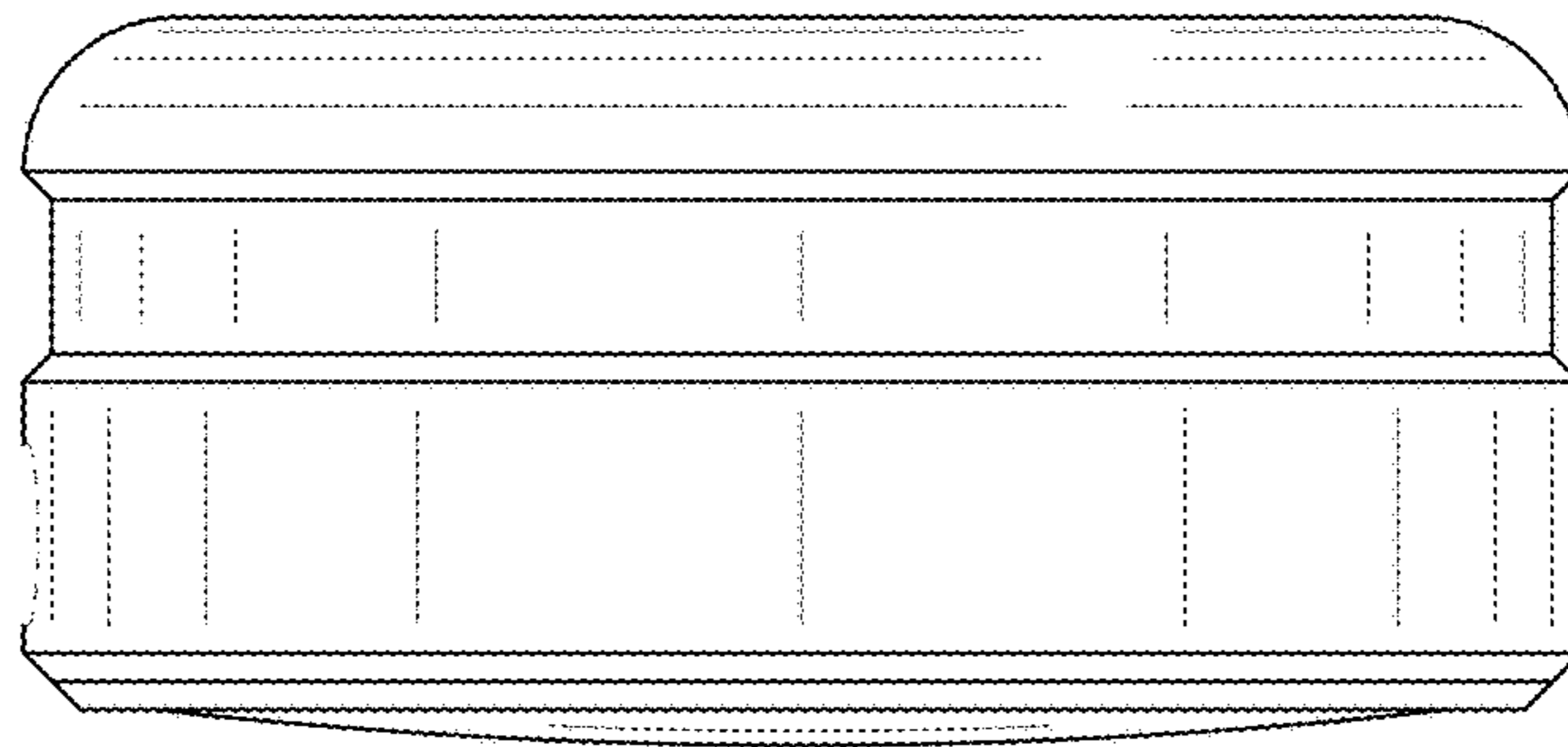


FIG.7

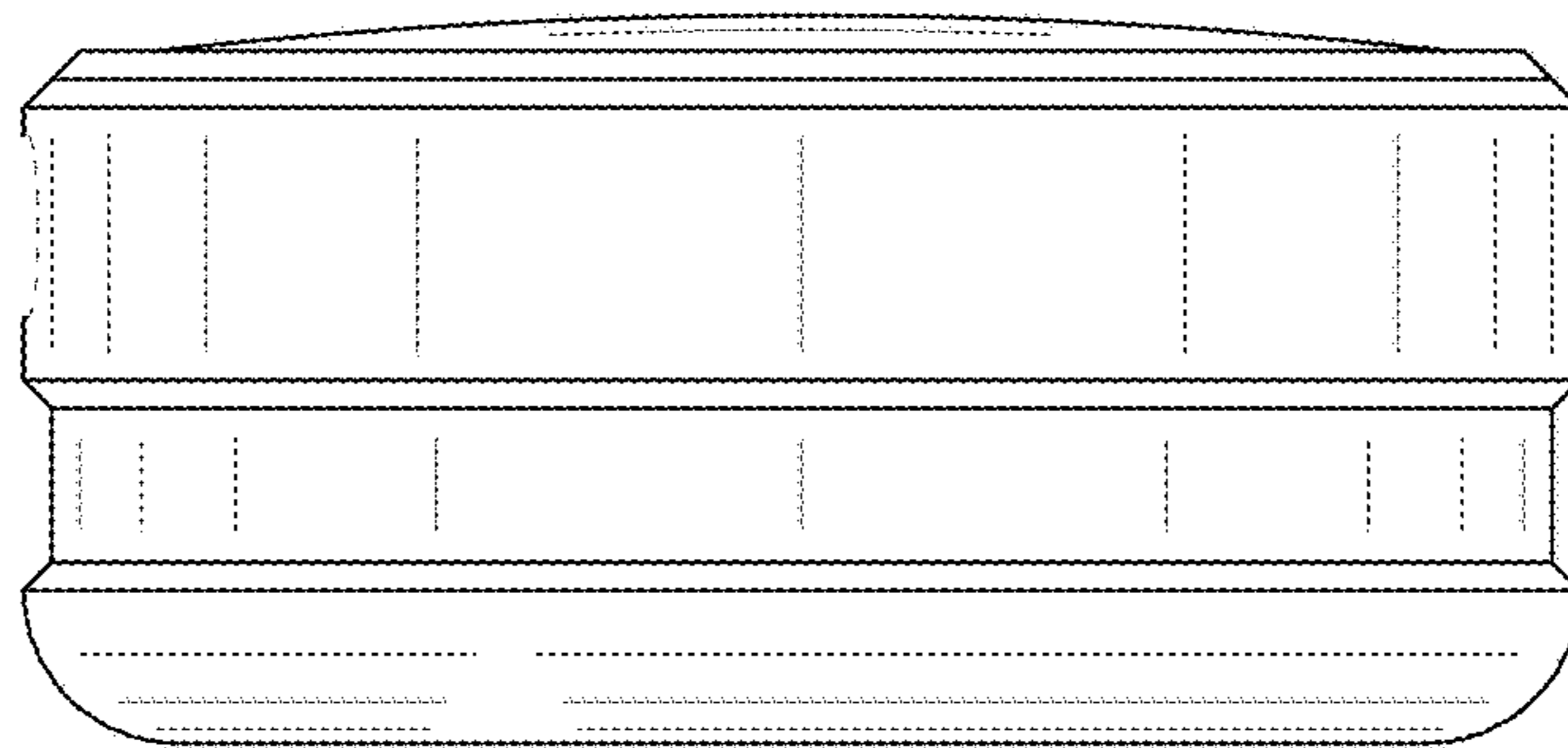


FIG.8

