



US00D849702S

(12) **United States Design Patent** (10) **Patent No.:** **US D849,702 S**
Lee et al. (45) **Date of Patent:** **** May 28, 2019**

(54) **TELEVISION RECEIVER**

FOREIGN PATENT DOCUMENTS

(71) Applicant: **SAMSUNG ELECTRONICS CO., LTD.**, Suwon-si, Gyeonggi-do (KR)
(72) Inventors: **Min-Hee Lee**, Seoul (KR); **Eun-Ah Kim**, Seoul (KR); **Ji-Gwang Kim**, Seoul (KR)
(73) Assignee: **SAMSUNG ELECTRONICS CO., LTD.**, Gyeonggi-Do (KR)

KR 300549011 S 12/2009
KR 300751868 S 7/2014
KR 300859229 S 6/2016
KR 300893404 S 2/2017

* cited by examiner

Primary Examiner — Randall H Gholson
(74) *Attorney, Agent, or Firm* — Cantor Colburn LLP

(**) Term: **15 Years**
(21) Appl. No.: **29/626,189**
(22) Filed: **Nov. 15, 2017**

(57) **CLAIM**

The ornamental design for a television receiver, as shown and described.

(30) **Foreign Application Priority Data**

May 19, 2017 (KR) 30-2017-0022661

(51) **LOC (11) Cl.** **14-03**
(52) **U.S. Cl.**

USPC **D14/126**

(58) **Field of Classification Search**

USPC D14/125-134, 239, 371, 136, 374-377, D14/440, 450, 448, 336, 342, 159; 312/7.2; 348/836, 838, 180, 184, 325, 348/739; 248/917-924, 465; 345/104, 345/133, 156, 168, 87, 173; D21/329, D21/515, 577, 622, 333, 433, 448, 452, D21/450, 331, 505; D10/15, 26; 446/484, 175, 356; D6/477, 479, 300; D20/10, 19, 39; D16/203, 241; 160/24
CPC G06F 1/1601; G06F 1/1643; G06F 1/1652; G06F 1/1647; G06F 3/0412; H05K 5/0004; H05K 5/0017; H05K 5/02; H05K 5/0217; H04N 13/0459

See application file for complete search history.

DESCRIPTION

FIG. 1 is a perspective view of television receiver showing our new design;

FIG. 2 is a front view thereof;

FIG. 3 is a rear view thereof;

FIG. 4 is a left-side view thereof;

FIG. 5 is a right-side view thereof;

FIG. 6 is a top plan view thereof;

FIG. 7 is a bottom plan view thereof;

FIG. 8 is a rear perspective view thereof;

FIG. 9 is an enlarged view of the encircled portion 9 in FIG. 1;

FIG. 10 to FIG. 12 are perspective views thereof each with an unclaimed stand portion; and,

FIG. 13 is another front view thereof with unclaimed stand portion.

The evenly dashed broken lines are for environmental purpose only and form no part of the claimed design.

The dot dashed broken lines in the figures define the boundary of the claimed design and form no part thereof.

The dot-dot-dashed broken lines in the drawings encircle portions of the claimed design that are illustrated in enlargements and form no part of the claimed design.

(56) **References Cited**

U.S. PATENT DOCUMENTS

D729,793 S * 5/2015 Hickok D14/126
D756,322 S * 5/2016 Ostensen D14/126

1 Claim, 11 Drawing Sheets

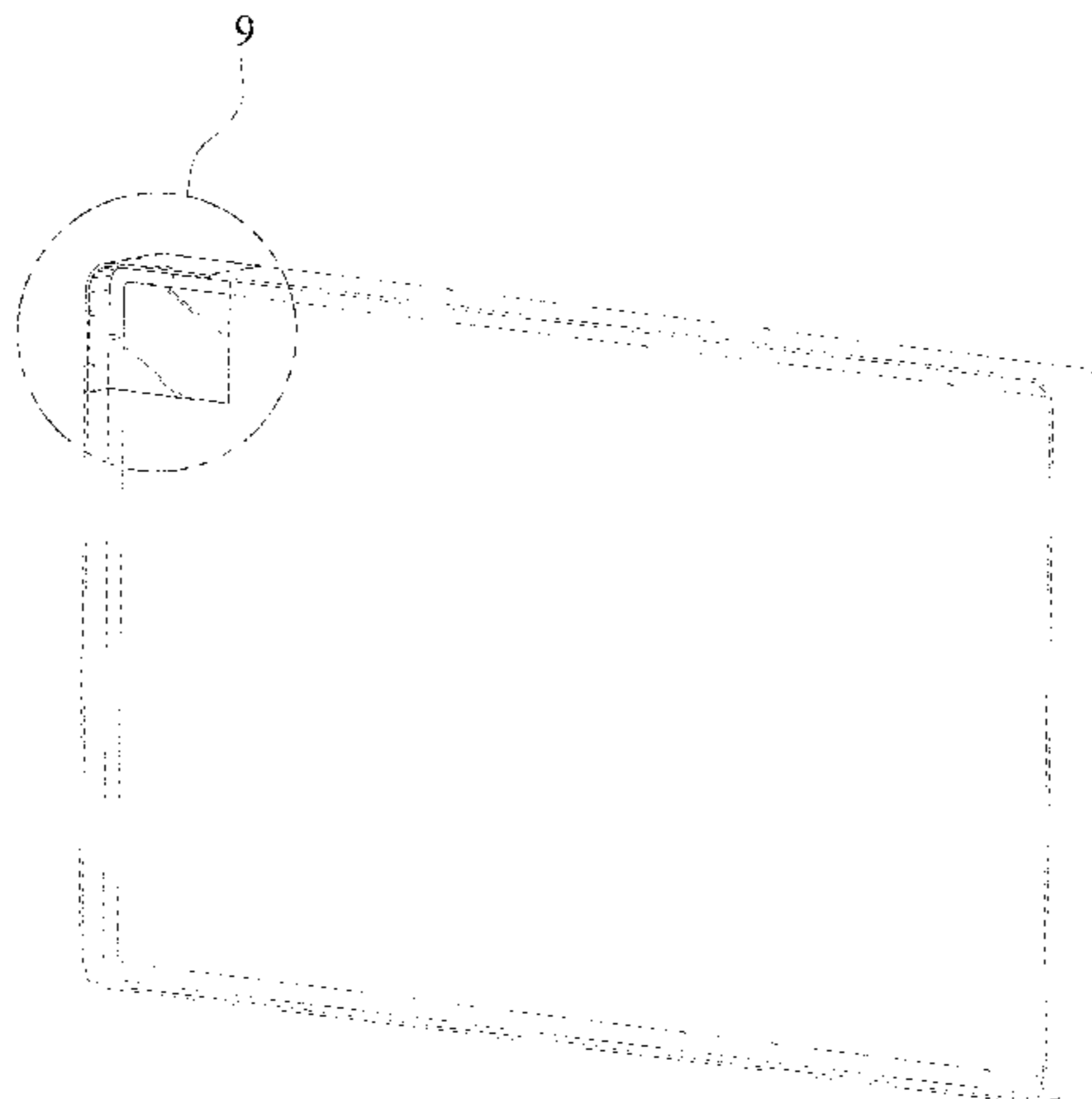


FIG. 1

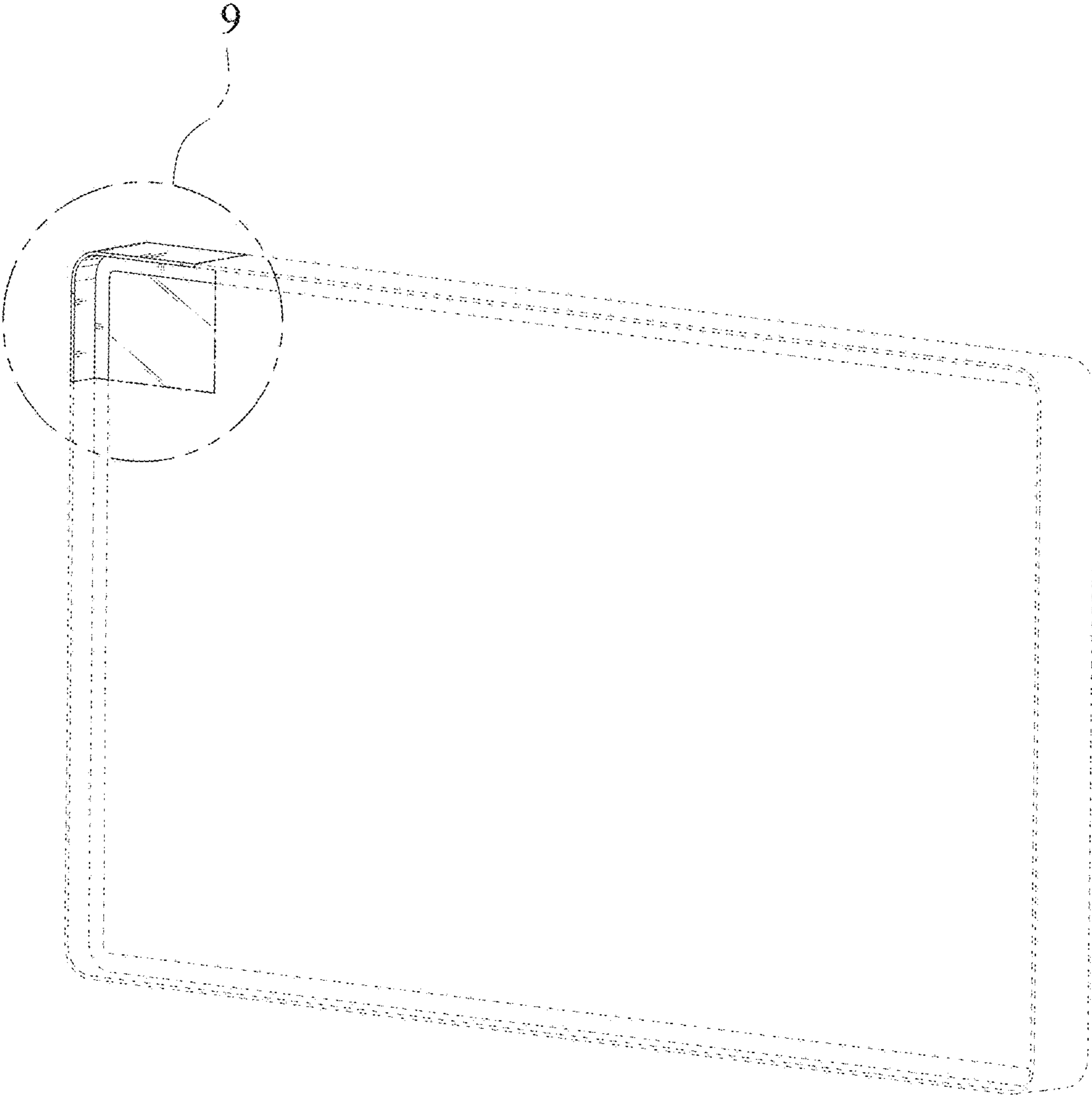


FIG. 2



FIG. 3

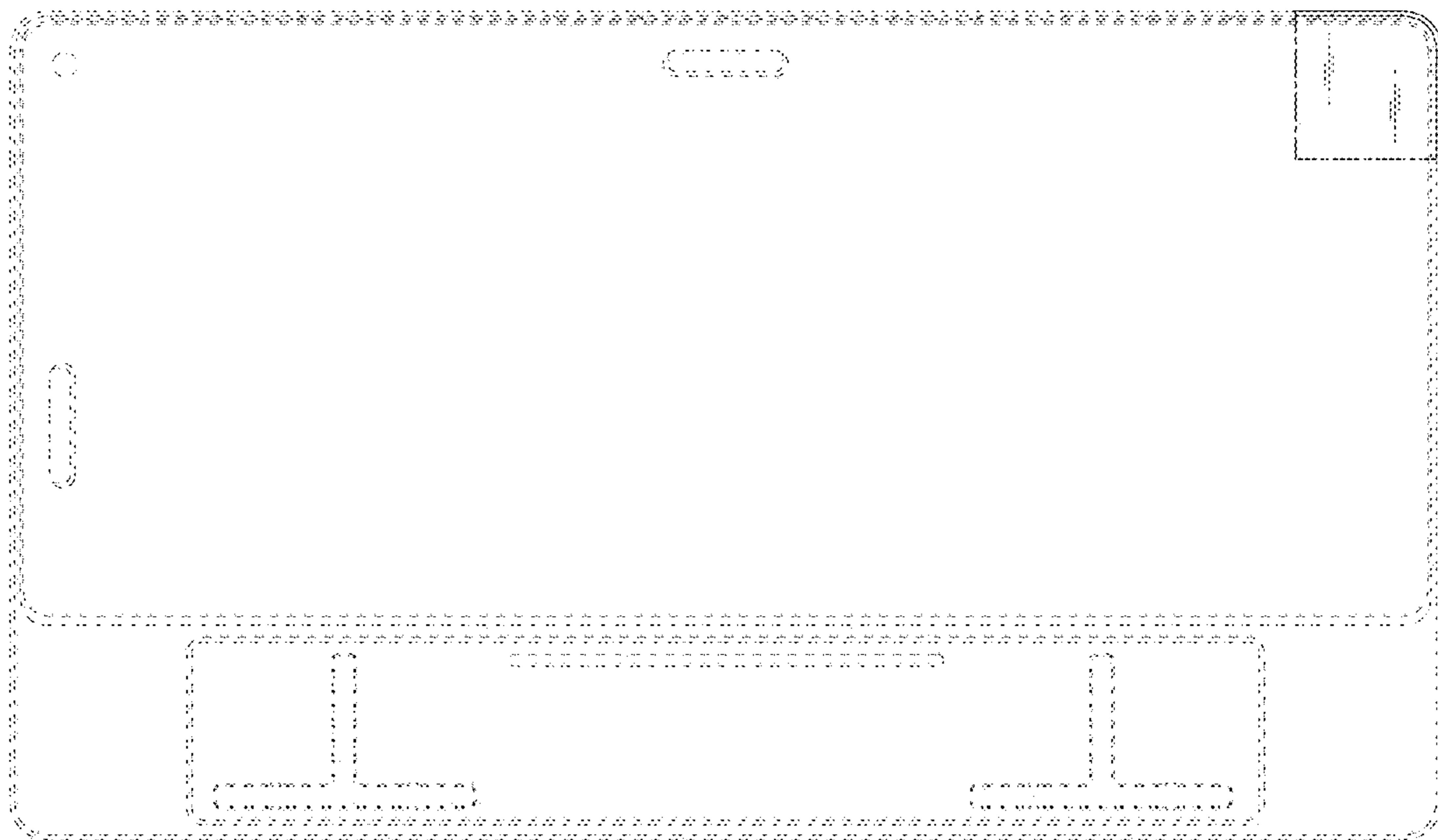


FIG. 4

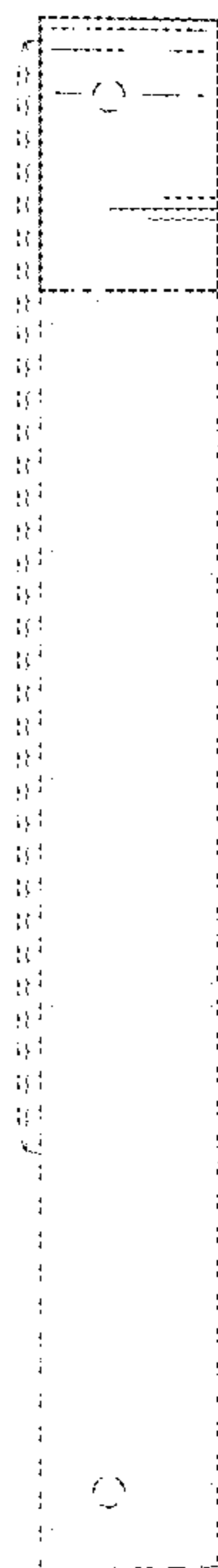


FIG. 5

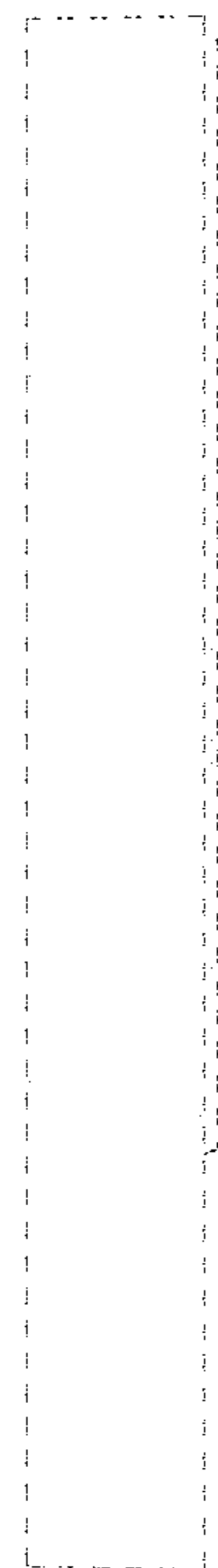


FIG. 6

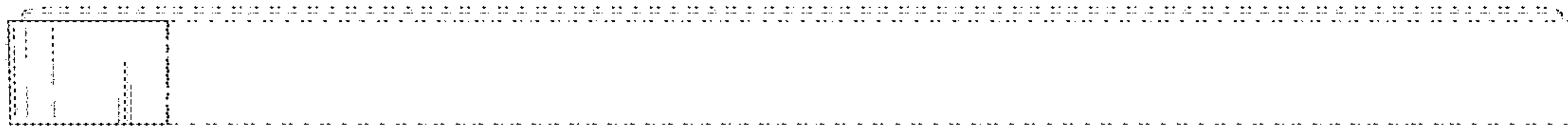


FIG. 7

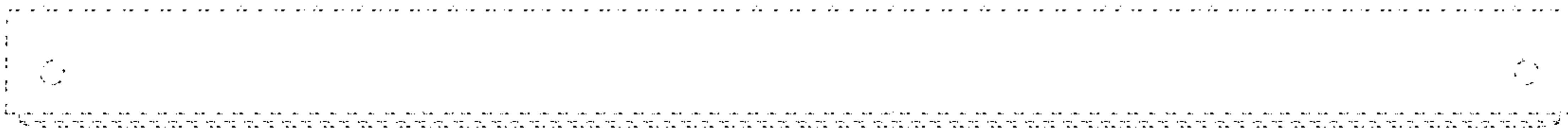


FIG. 8

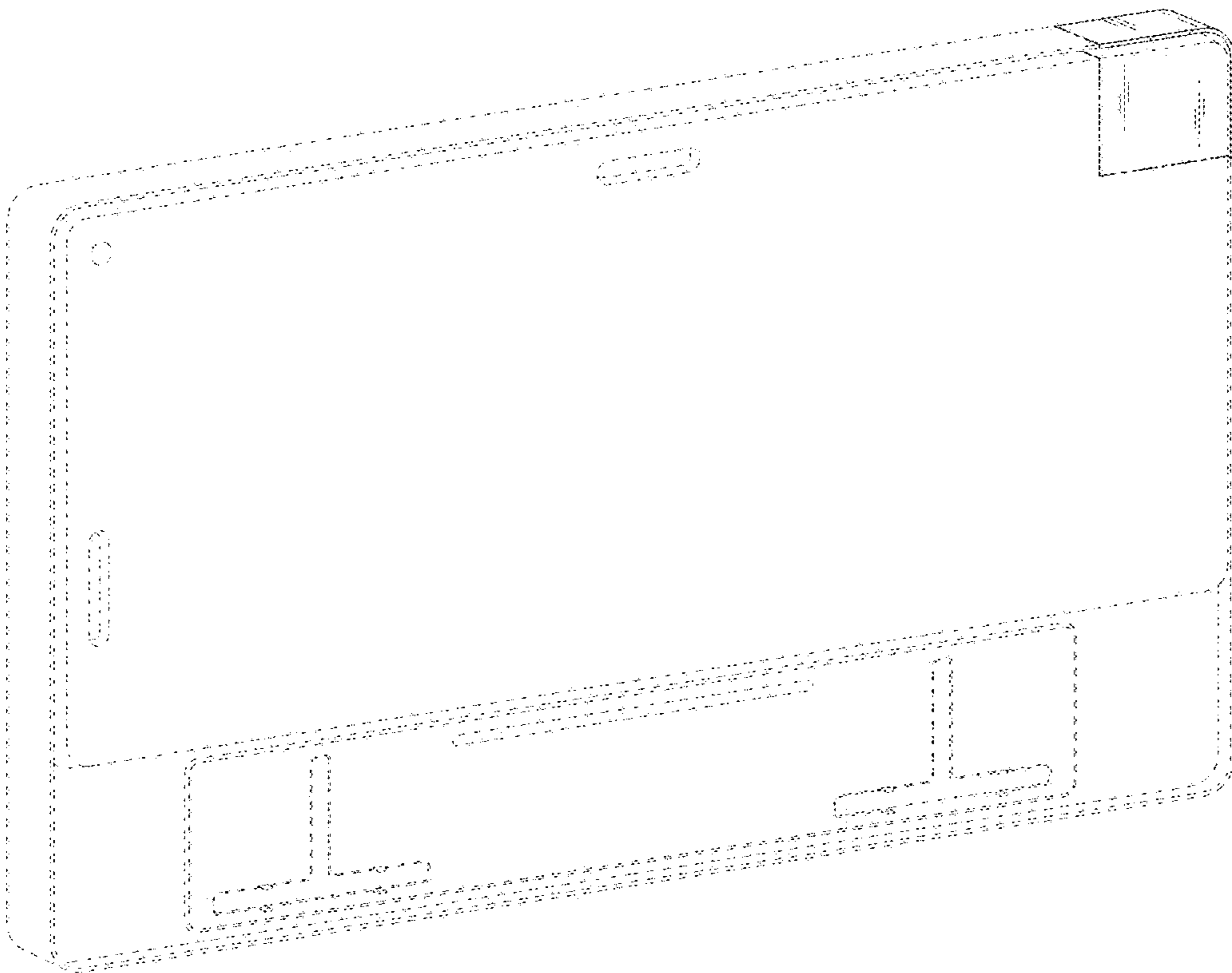


FIG. 9

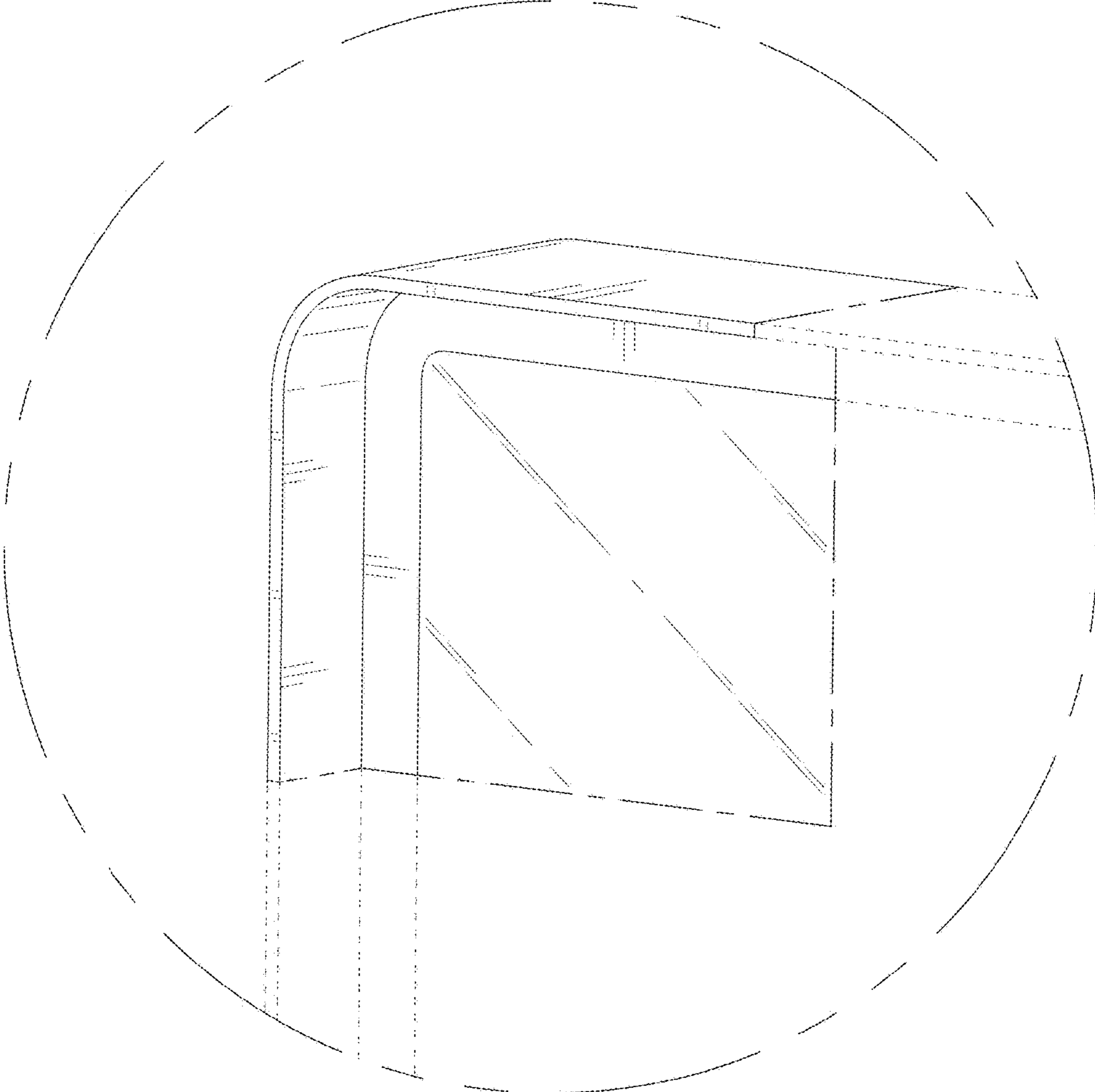


FIG. 10

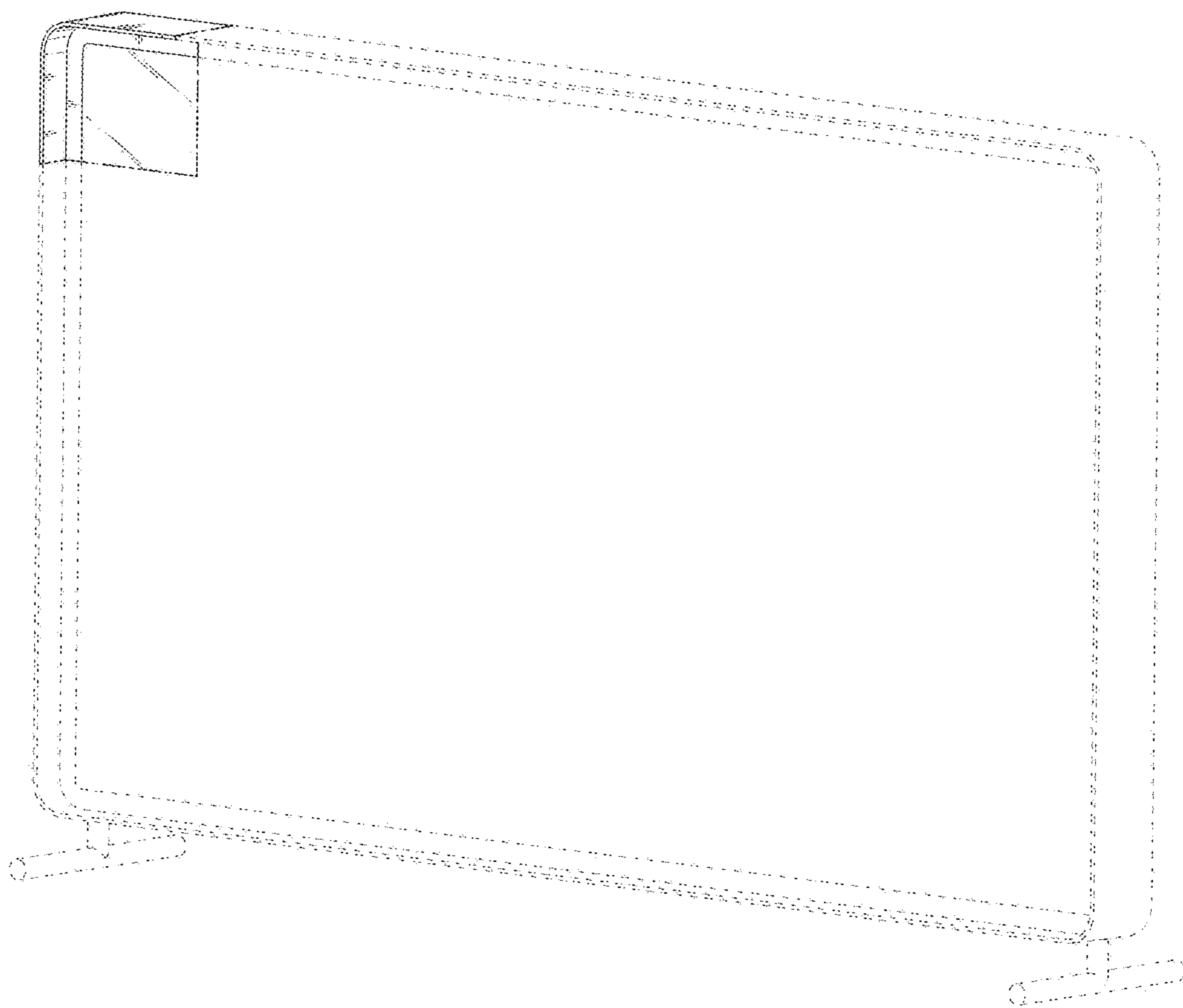


FIG. 11

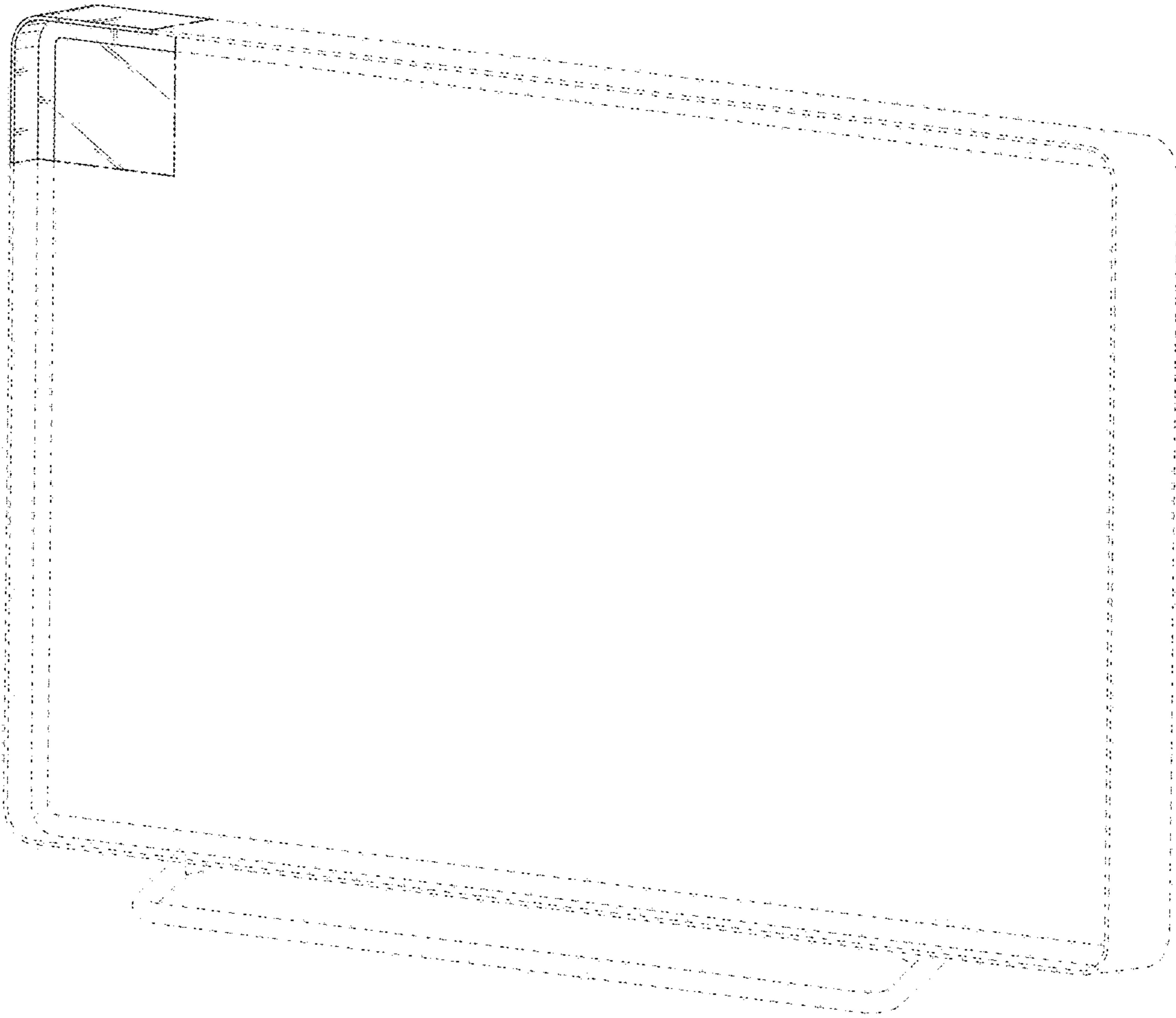


FIG. 12

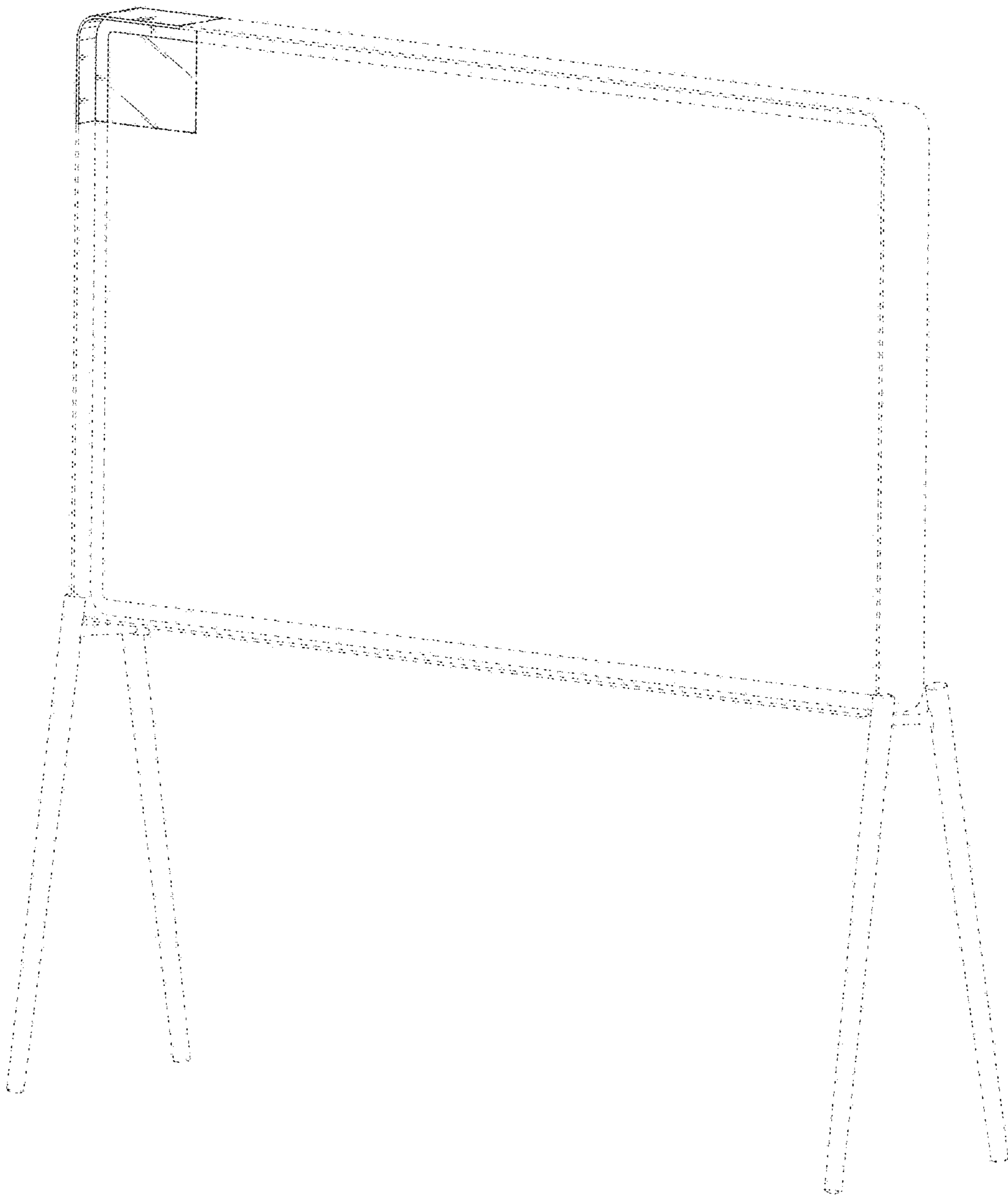


FIG. 13

