



US00D849700S

(12) **United States Design Patent** (10) **Patent No.:** **US D849,700 S**  
**Lee et al.** (45) **Date of Patent:** **\*\* May 28, 2019**

(54) **TELEVISION RECEIVER**

FOREIGN PATENT DOCUMENTS

(71) Applicant: **Samsung Electronics Co., Ltd.**,  
Suwon-si (KR)

CN 2007301585193 7/2008  
CN 2009300070095 4/2010  
EM 000393103-0001 1/2005

(72) Inventors: **Min-Hee Lee**, Seoul (KR); **Eun-Ah Kim**, Seoul (KR)

(Continued)

(73) Assignee: **Samsung Electronics Co., Ltd.**,  
Suwon-si (KR)

*Primary Examiner* — Randall H Gholson

(74) *Attorney, Agent, or Firm* — NSIP Law

(\*\*) Term: **15 Years**

(57) **CLAIM**

(21) Appl. No.: **29/626,147**

We claim the ornamental design for a television receiver, as shown and described.

(22) Filed: **Nov. 15, 2017**

(30) **Foreign Application Priority Data**

**DESCRIPTION**

May 19, 2017 (KR) ..... 30-2017-0022660

(51) **LOC (11) Cl.** ..... **14-03**

(52) **U.S. Cl.**  
USPC ..... **D14/126**

(58) **Field of Classification Search**  
USPC ..... D14/125-134, 239, 371, 136, 374-377,  
D14/440, 450, 448, 336, 342, 159;  
312/7.2; 348/836, 838, 180, 184, 325,  
348/739; 248/917-924, 465; 345/104,  
345/133, 156, 168, 87, 173; D21/329,  
D21/515, 577, 622, 333, 433, 448, 452,  
D21/450, 331, 505; D10/15, 26;  
446/484, 175, 356; D6/477, 479, 300;  
D20/10, 19, 39; D16/203, 241; 160/24  
CPC .... G06F 1/1601; G06F 1/1643; G06F 1/1652;  
G06F 1/1647; G06F 3/0412; H05K  
5/0004; H05K 5/0017; H05K 5/02; H05K  
5/0217; H04N 13/0459  
See application file for complete search history.

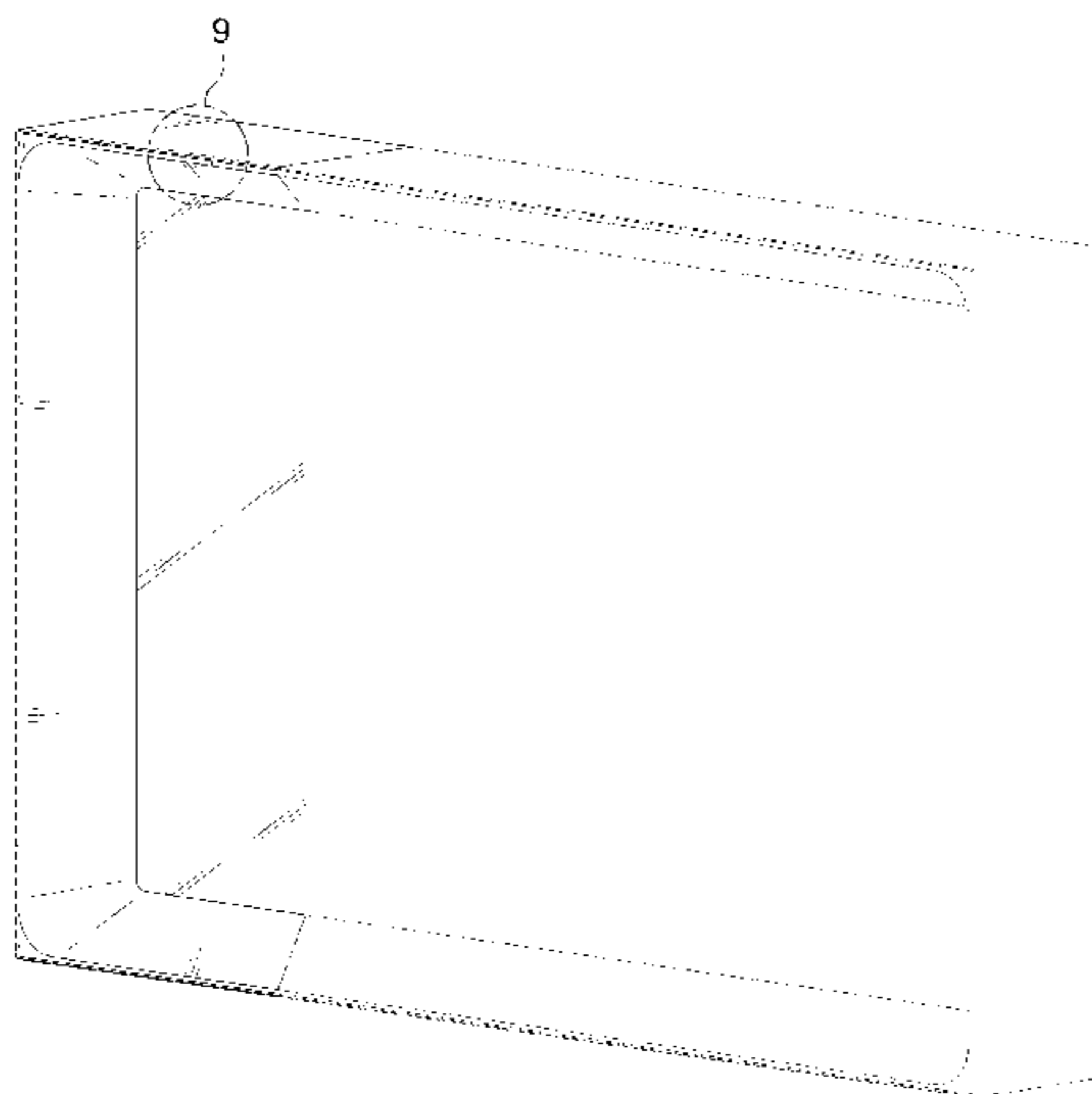
FIG. 1 is a front perspective view of a television receiver showing our new design;  
FIG. 2 is a front elevational view thereof;  
FIG. 3 is a rear elevational view thereof;  
FIG. 4 is a left-side elevational view thereof;  
FIG. 5 is a right-side elevational view thereof;  
FIG. 6 is a top plan view thereof;  
FIG. 7 is a bottom plan view thereof;  
FIG. 8 is a cross-sectional view taken through the line 8-8 of FIG. 2;  
FIG. 9 is an enlarged view of the encircled portion in FIG. 1; and,  
FIG. 10 is an enlarged view of the encircled portion in FIG. 3.  
The evenly spaced broken lines in the figures depict environmental subject matter and form no part of the claimed design.  
The uneven dot-dash broken line in the figures define a boundary of the claimed design and form no part thereof.  
The dot-dot-dashed broken lines encircling portions of the claimed design that are illustrated in enlargements form no part of the claimed design.

(56) **References Cited**

U.S. PATENT DOCUMENTS

D631,046 S 1/2011 Chien  
D729,793 S \* 5/2015 Hickok ..... D14/126  
D756,322 S \* 5/2016 Ostensen ..... D14/126

**1 Claim, 8 Drawing Sheets**



(56)

**References Cited**

FOREIGN PATENT DOCUMENTS

JP	D1059385	1/2000
JP	D1059385/1	1/2000

\* cited by examiner

FIG. 1

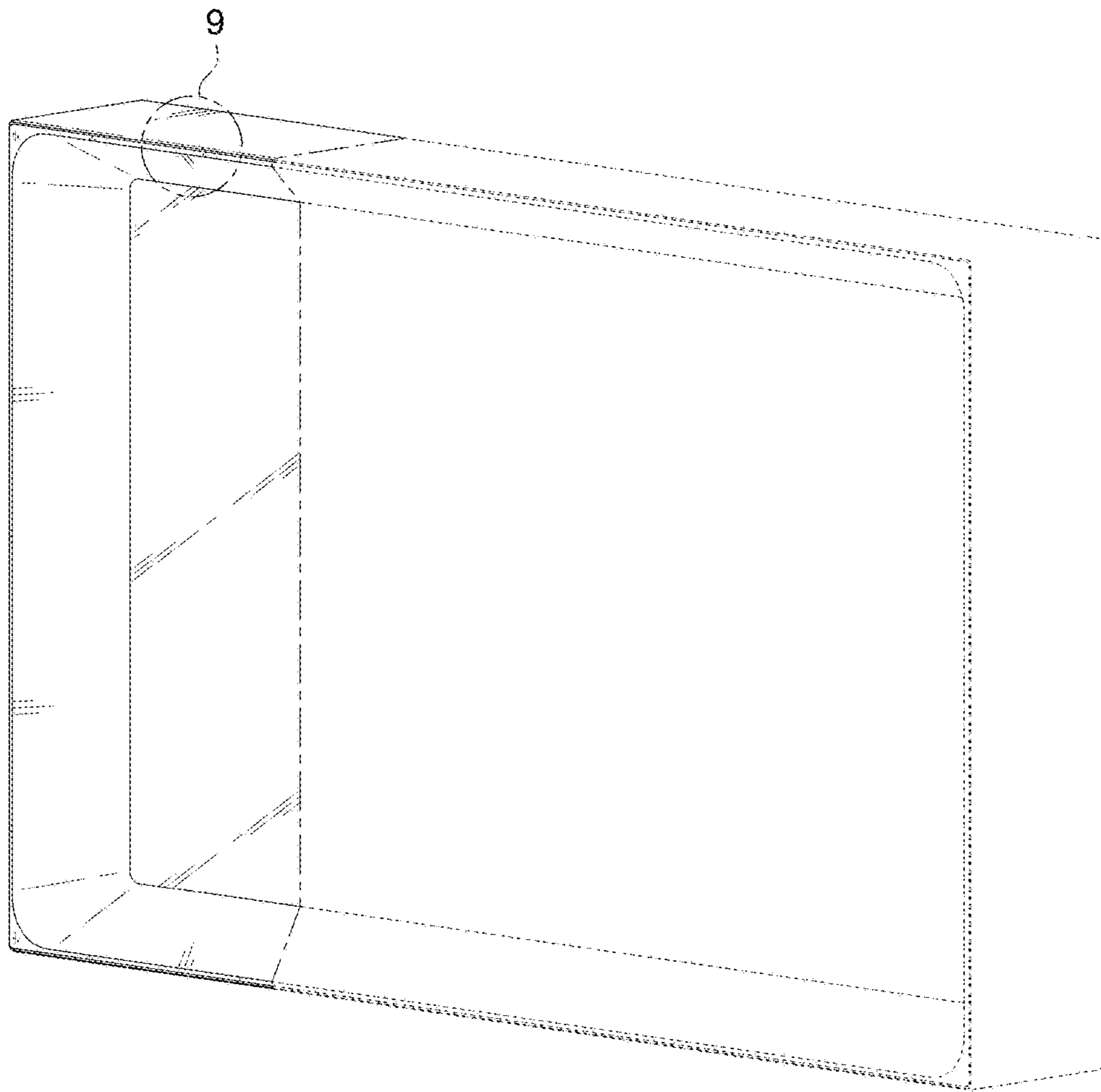


FIG. 2

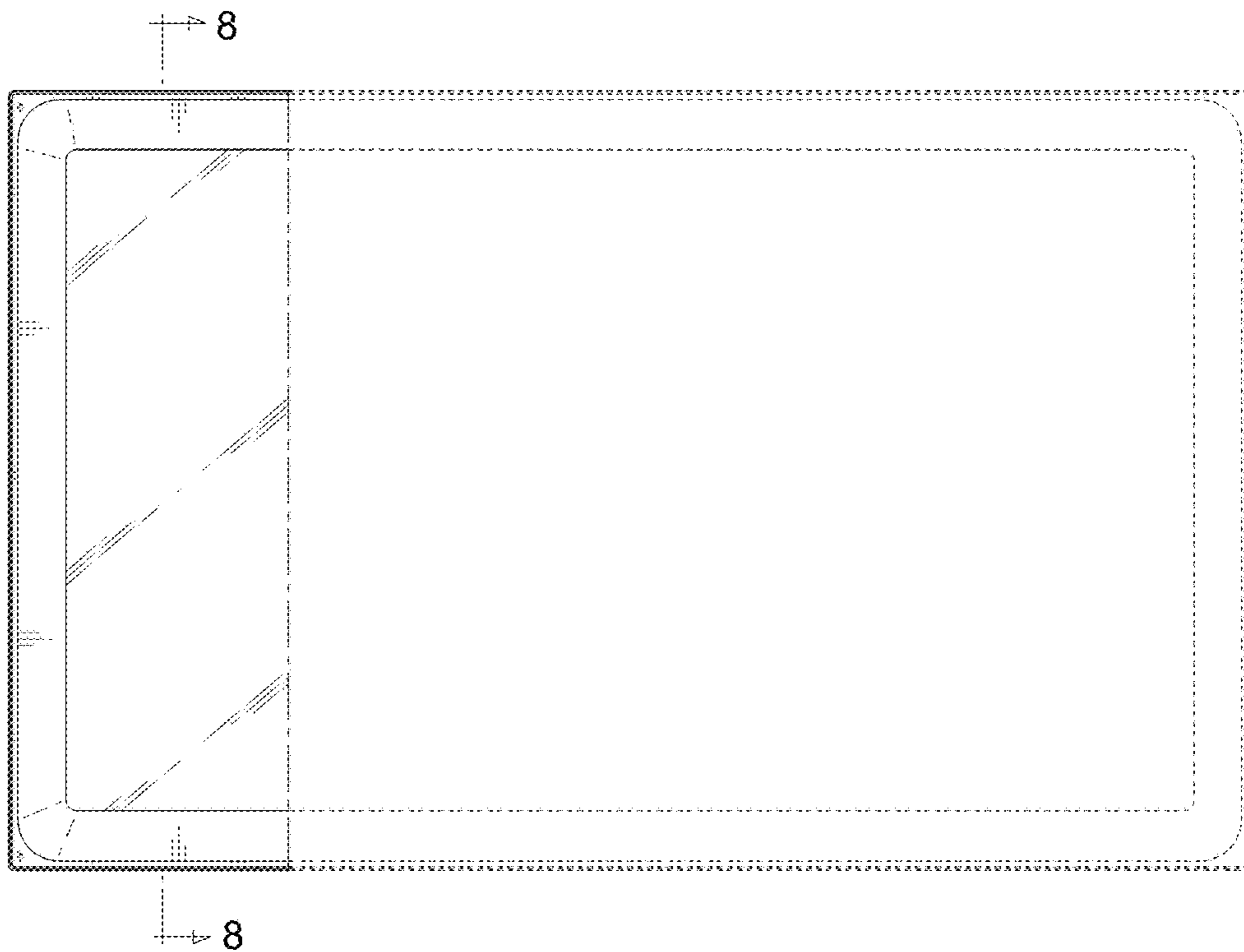


FIG. 3

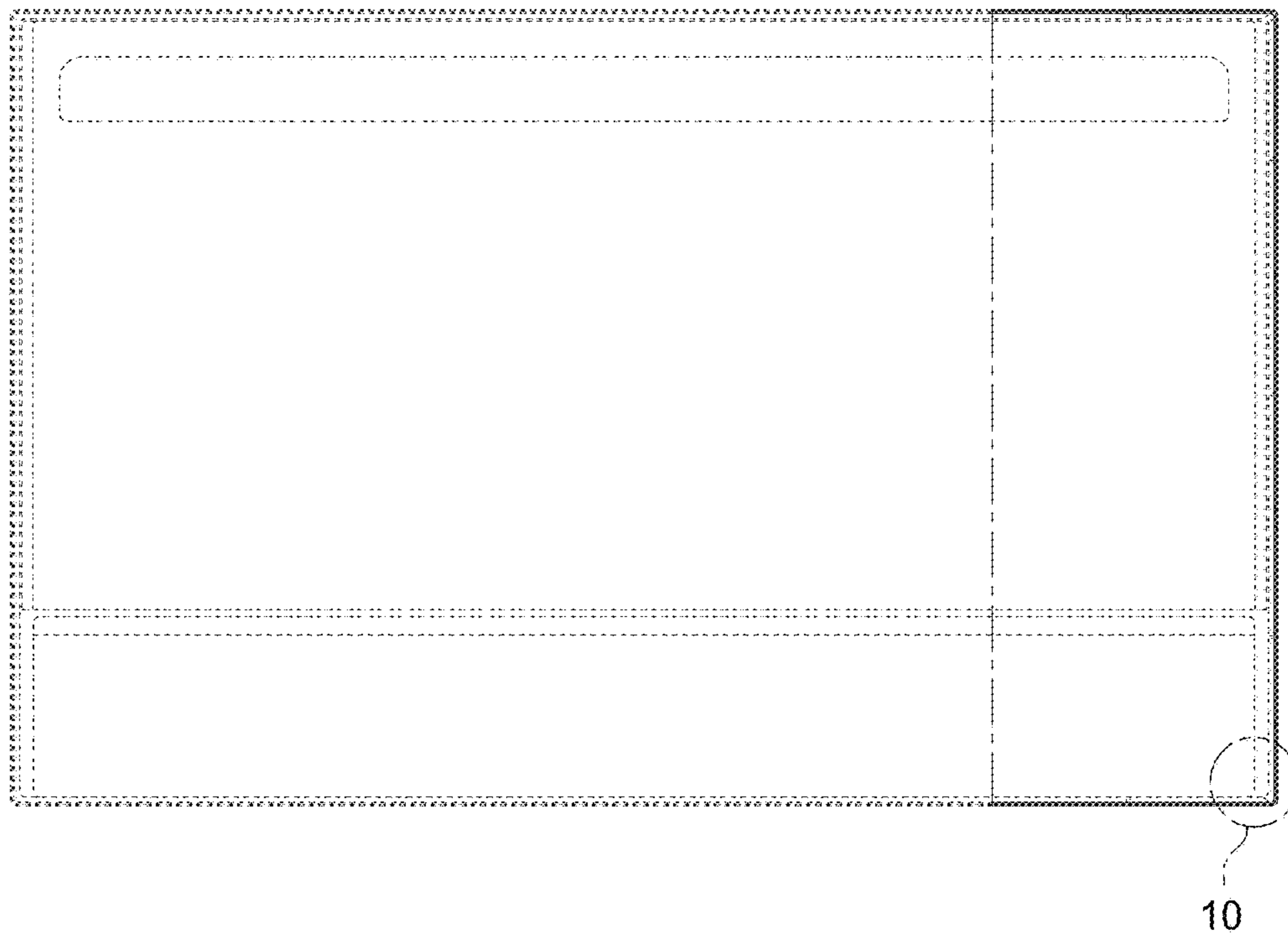


FIG. 4

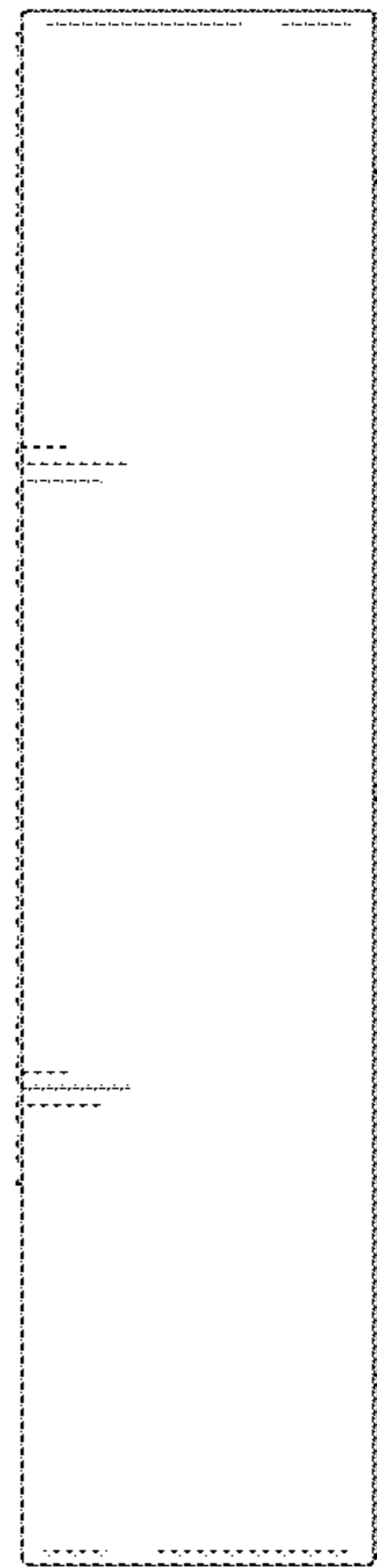


FIG. 5

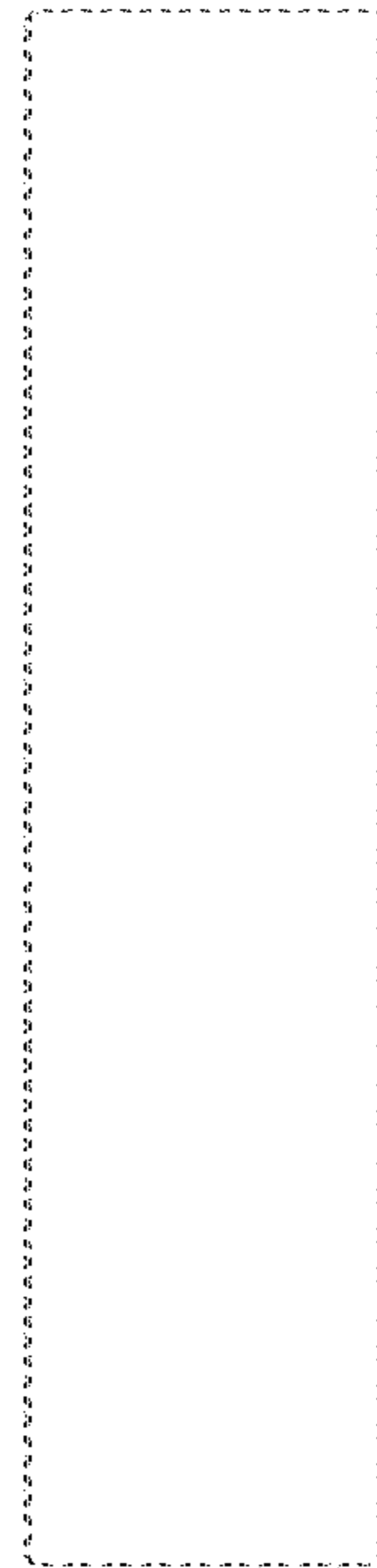


FIG. 6



FIG. 7

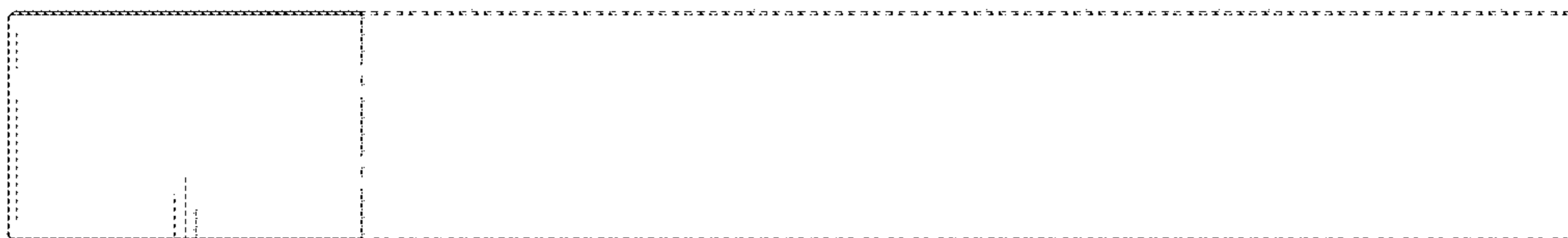


FIG. 8

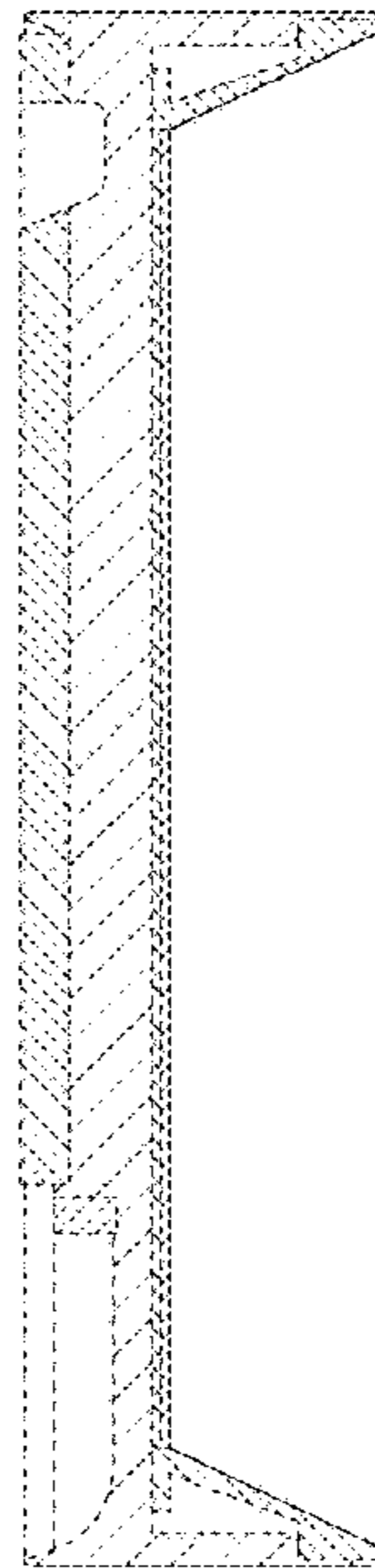




FIG. 9

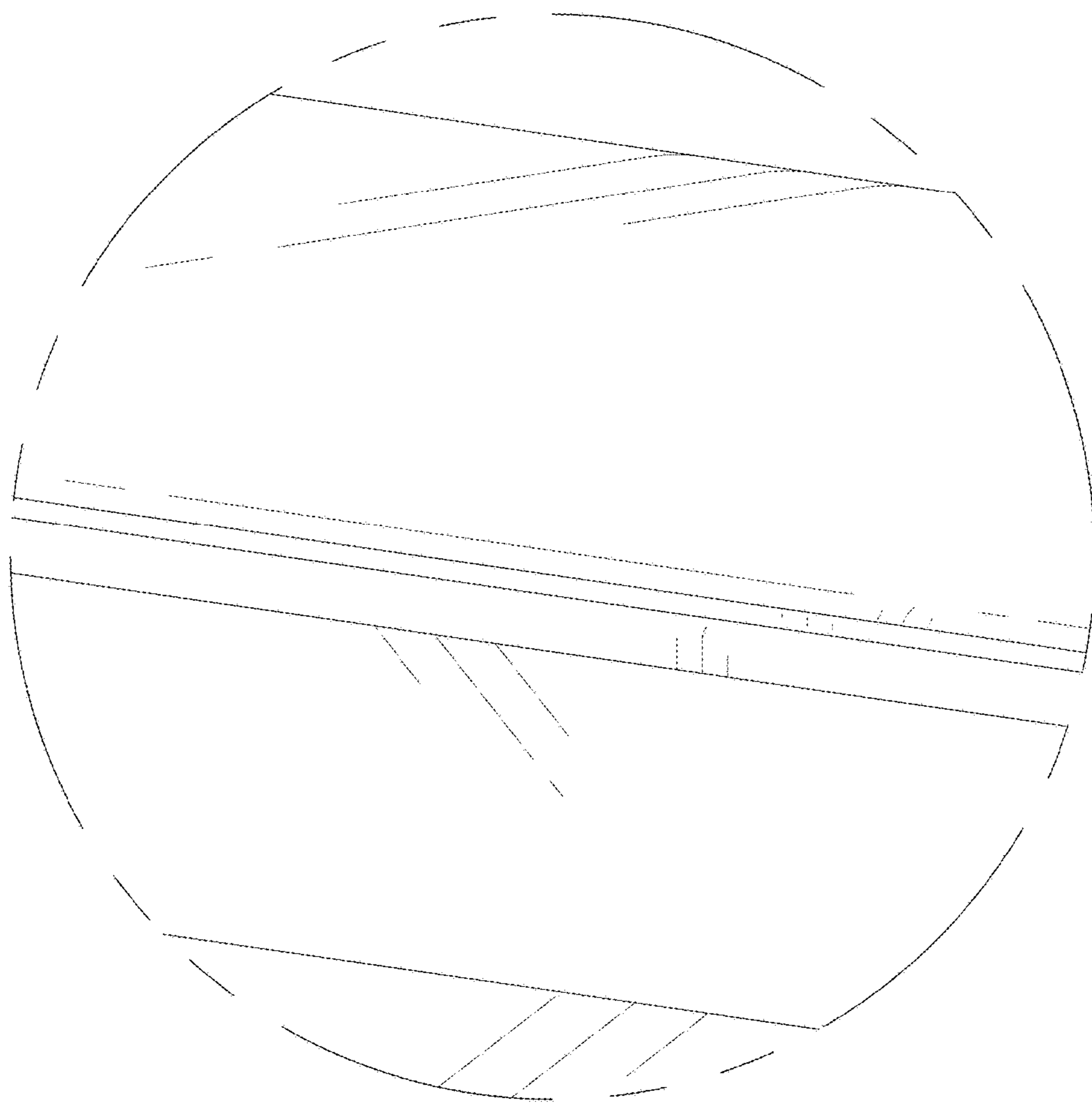


FIG. 10

