

US00D849699S

(12) **United States Design Patent**
Shen

(10) **Patent No.:** **US D849,699 S**

(45) **Date of Patent:** **** May 28, 2019**

(54) **CONTROLLER**

(71) Applicant: **TIMOTION TECHNOLOGY CO., LTD.**, New Taipei (TW)

(72) Inventor: **Bo-Yen Shen**, New Taipei (TW)

(73) Assignee: **TIMOTION TECHNOLOGY CO., LTD.**, New Taipei (TW)

(**) Term: **15 Years**

(21) Appl. No.: **29/648,306**

(22) Filed: **May 21, 2018**

(51) **LOC (11) Cl.** **14-03**

(52) **U.S. Cl.**
USPC **D13/168**

(58) **Field of Classification Search**
USPC D13/168; D14/218; D24/200
CPC .. A47C 31/008; A61G 13/02; G07C 9/00944;
G08C 17/00; G08C 17/02; H04B 1/202;
H01H 9/02; H01H 9/0214; H01H 9/0235;
H01H 9/0242
See application file for complete search history.

(56) **References Cited**

U.S. PATENT DOCUMENTS

D531,136 S *	10/2006	Schoenert	D13/168
D572,205 S *	7/2008	Landerholm	D13/168
D600,654 S *	9/2009	Liao	D13/164
D611,433 S *	3/2010	Tang	D13/168
D617,744 S *	6/2010	Landerholm	D13/168
D710,315 S *	8/2014	Tsai	D13/168
D766,845 S *	9/2016	Gong	D13/168
D767,511 S *	9/2016	Gong	D13/168
D816,621 S *	5/2018	Williams	D13/168

D817,279 S *	5/2018	Lin	D13/123
2009/0095602 A1 *	4/2009	Jensen	H01H 9/0214 200/42.02
2009/0160672 A1 *	6/2009	Winther	H01H 9/0214 340/4.31
2010/0213042 A1 *	8/2010	Smidt	A47C 31/008 200/5 A
2014/0325760 A1 *	11/2014	Murai	A61G 7/018 5/616
2015/0082548 A1 *	3/2015	Boyd	G05D 7/0617 5/710
2016/0275785 A1 *	9/2016	Hille	A47C 31/008
2016/0286965 A1 *	10/2016	Koch	A47C 31/008

* cited by examiner

Primary Examiner — Selina Sikder

(74) *Attorney, Agent, or Firm* — Chung-Ming Shih;
HDLS IPR Services

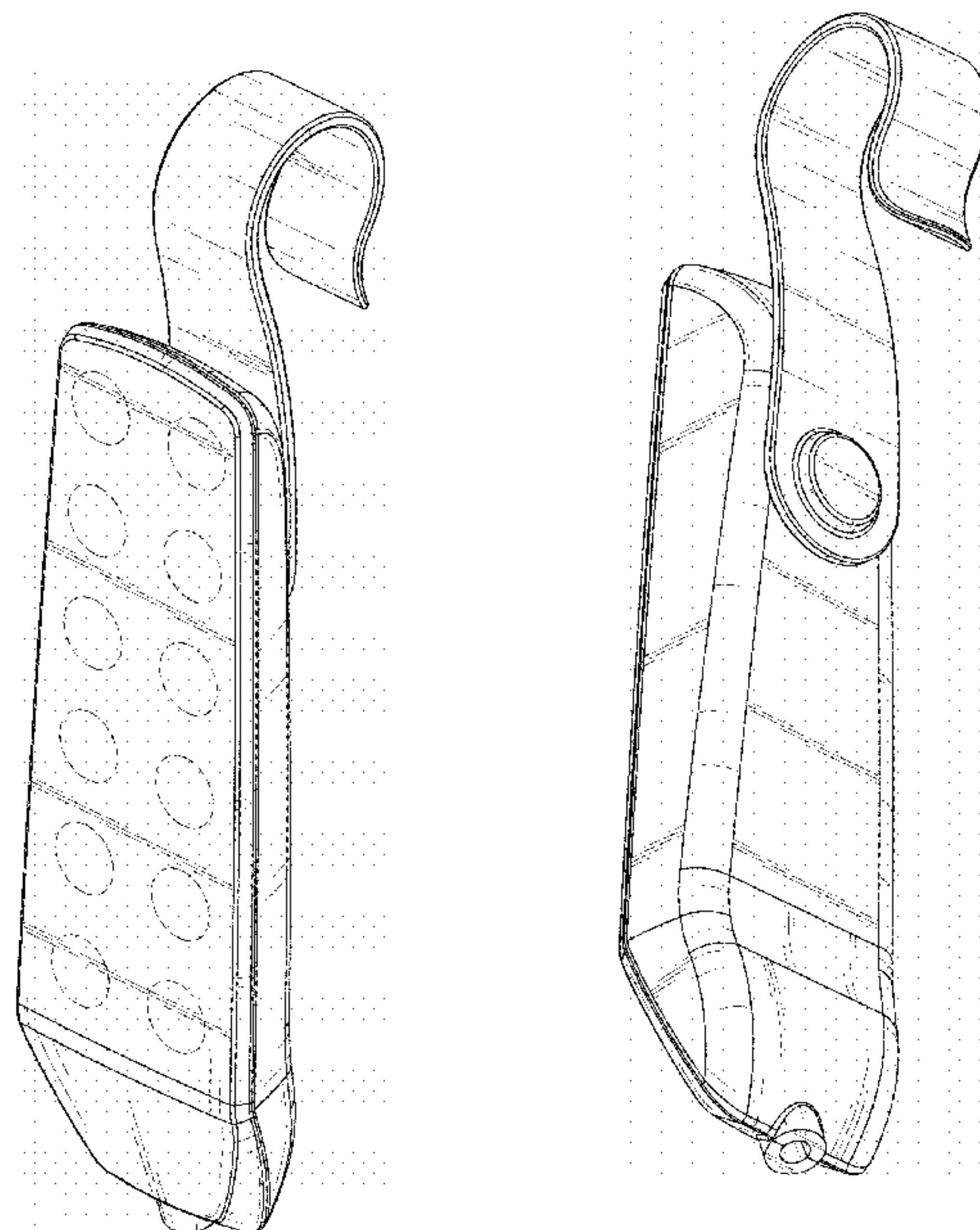
(57) **CLAIM**

The ornamental design for a controller, as shown and described.

DESCRIPTION

FIG. 1 is a perspective view of a controller showing my new design;
FIG. 2 is a front view thereof;
FIG. 3 is a rear view thereof;
FIG. 4 is a left side view thereof;
FIG. 5 is a right side view thereof;
FIG. 6 is a top view thereof;
FIG. 7 is a bottom view thereof; and,
FIG. 8 is second perspective view showing the controller.
The broken lines shown represent unclaimed subject matter and form no part of the claimed design.

1 Claim, 8 Drawing Sheets



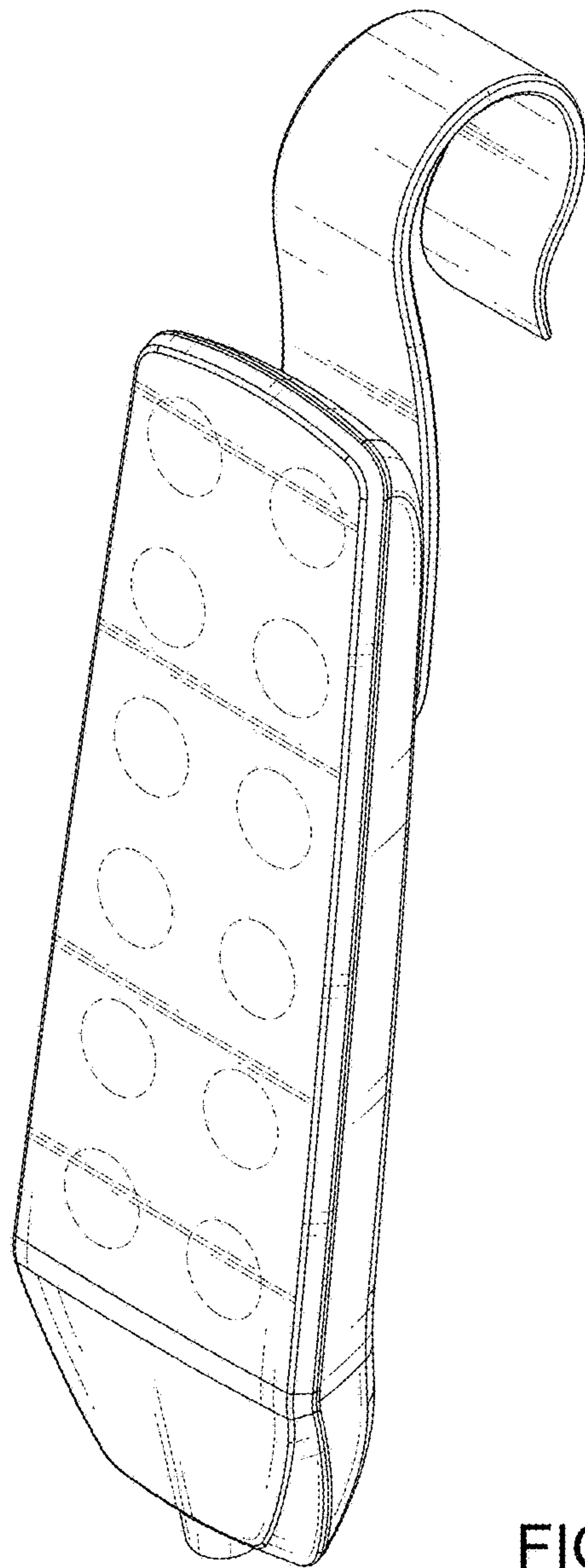


FIG.1

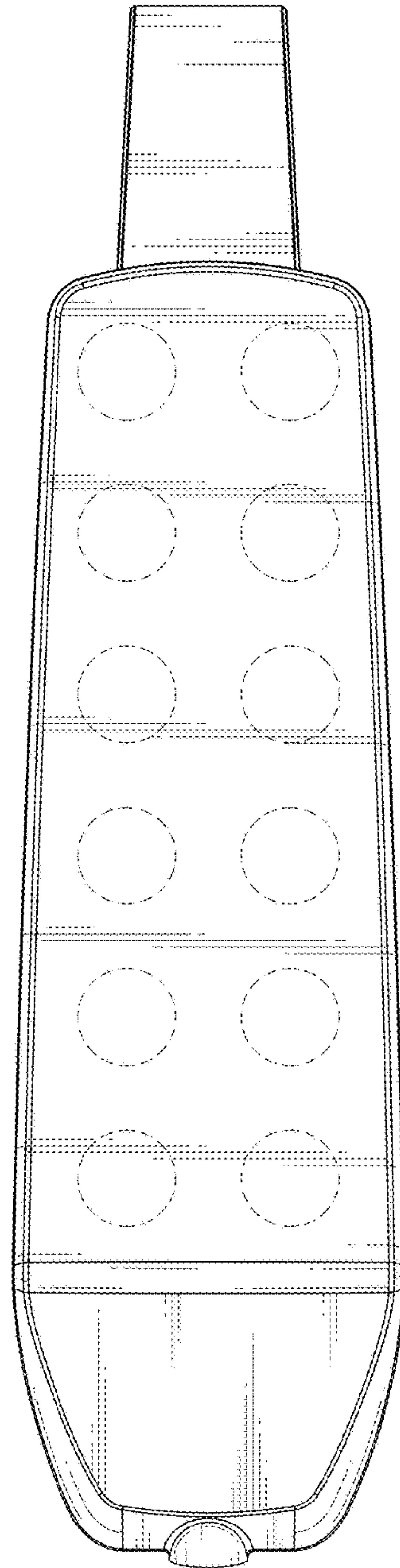


FIG.2

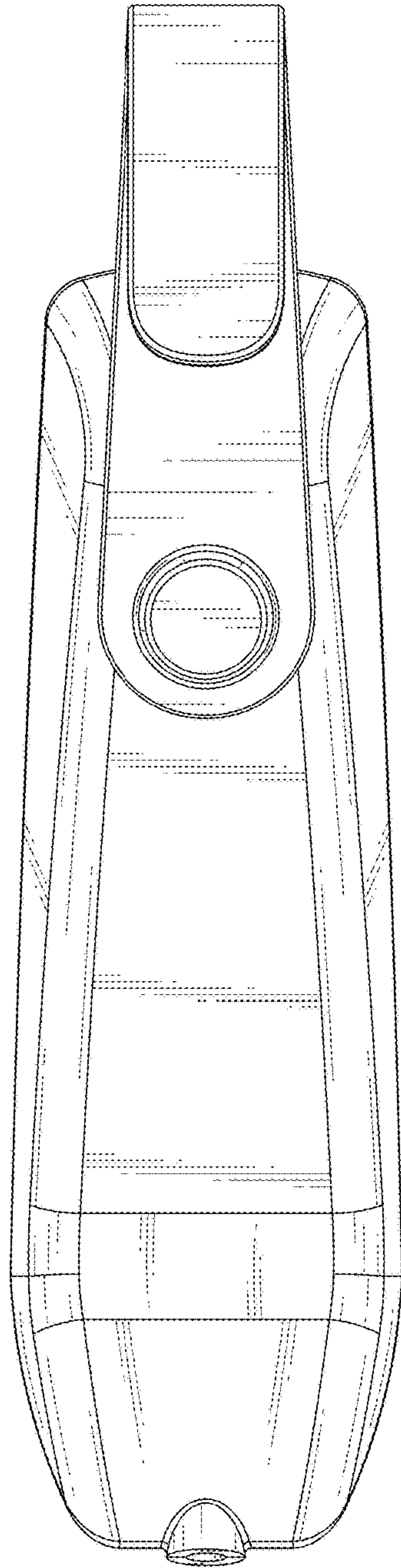


FIG.3

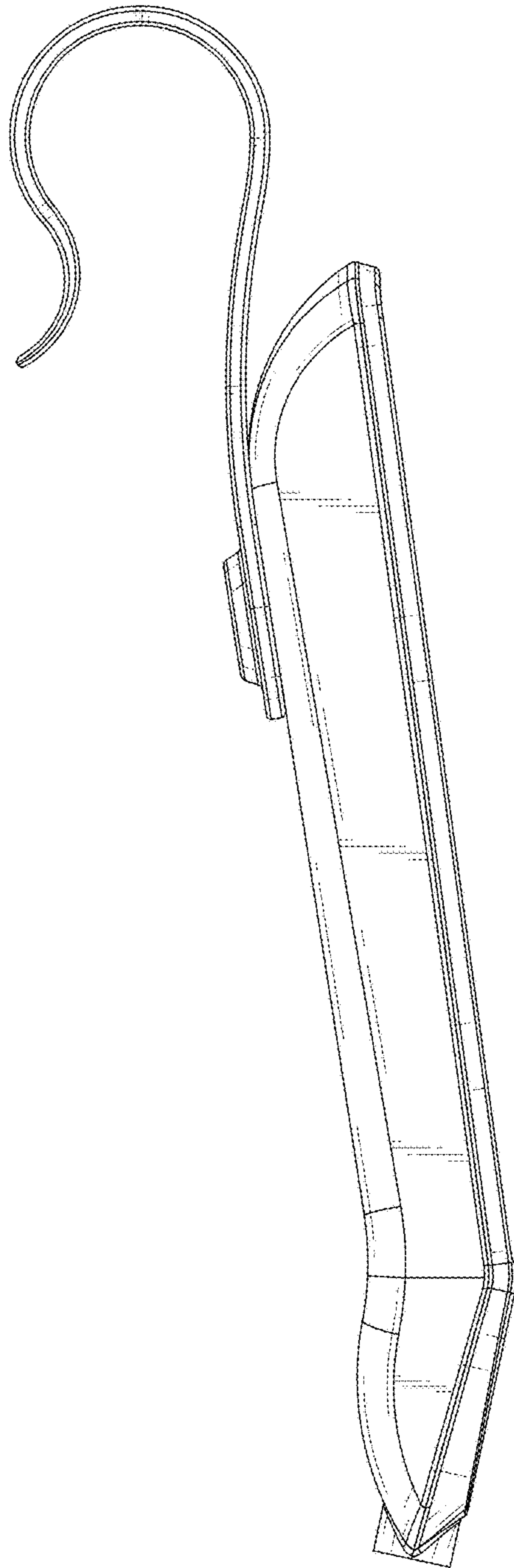


FIG.4

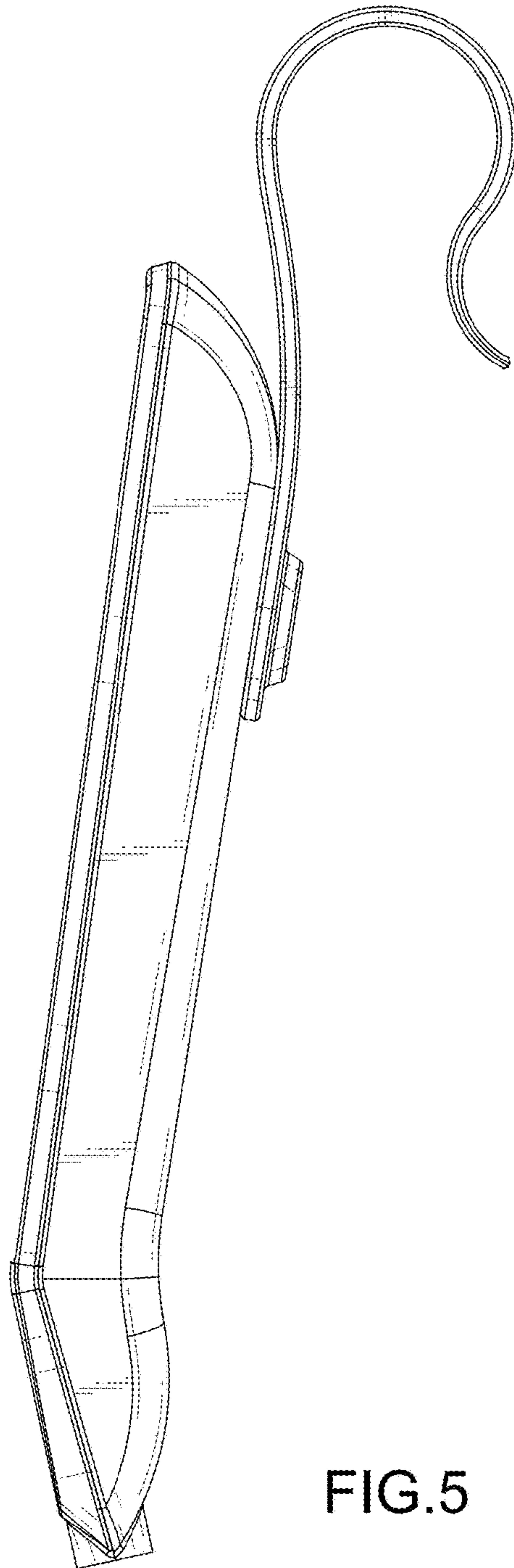


FIG. 5

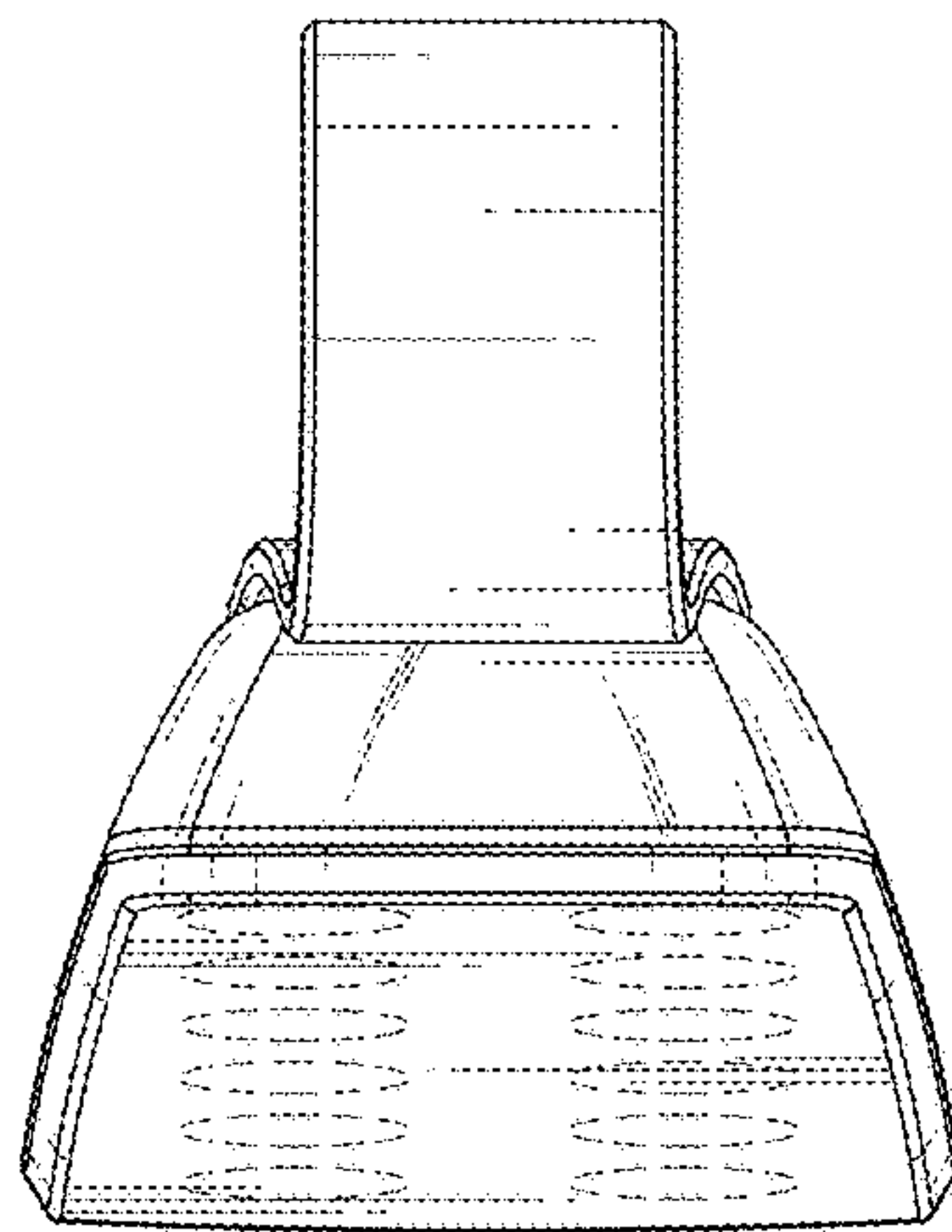


FIG.6

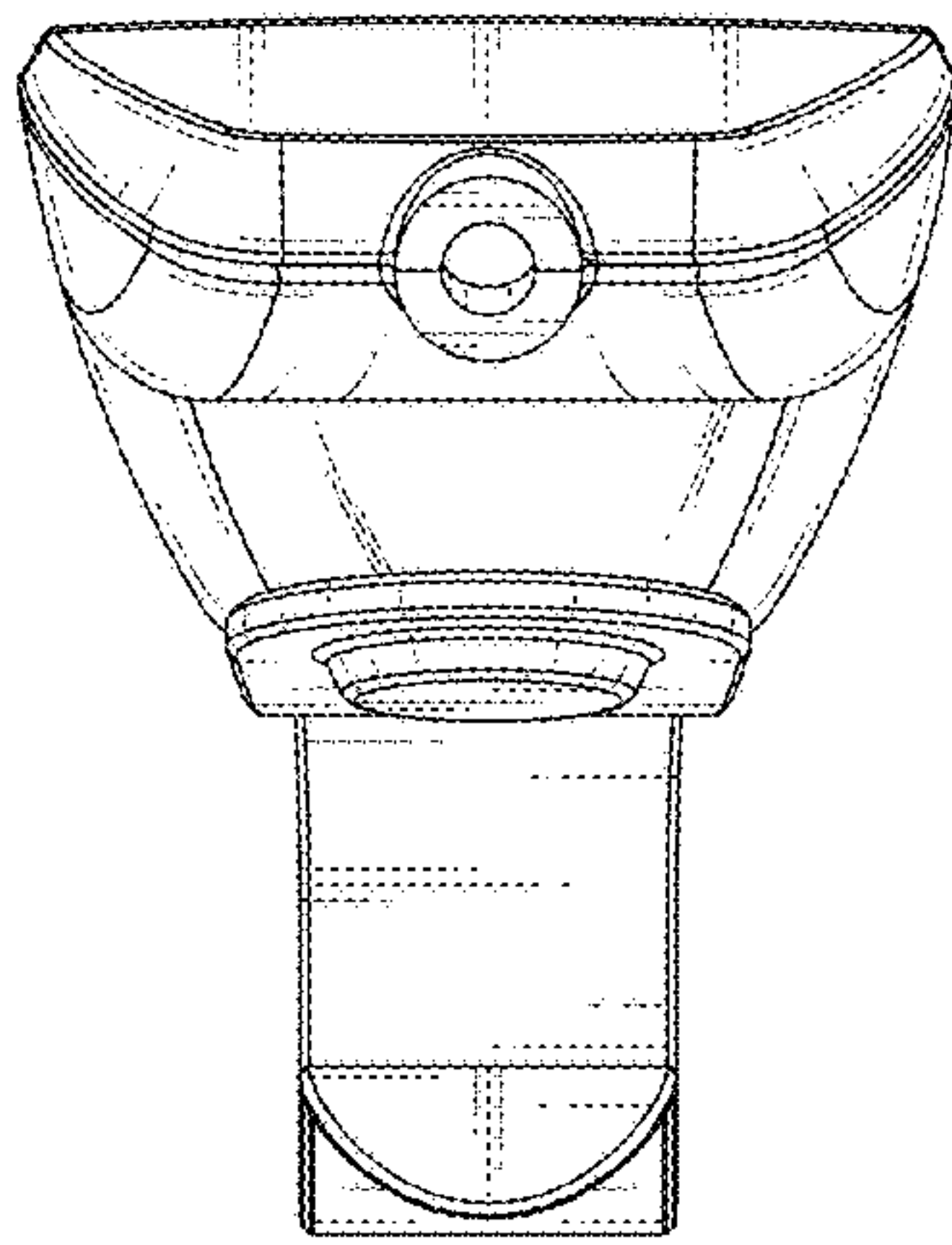


FIG.7

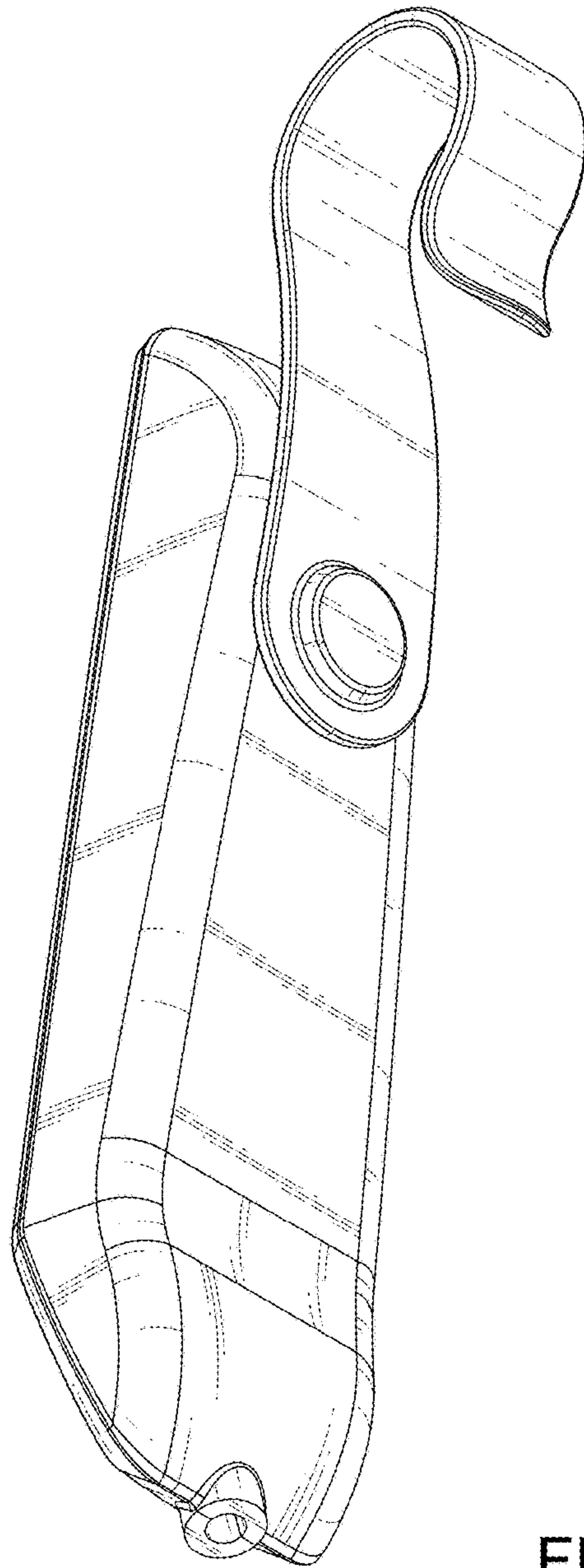


FIG.8