



US00D849693S

(12) **United States Design Patent** (10) **Patent No.:** **US D849,693 S**
Maegawa et al. (45) **Date of Patent:** **** May 28, 2019**

(54) **HERMETIC TERMINAL**

FOREIGN PATENT DOCUMENTS

(71) Applicant: **SCHOTT Japan Corporation,**
Koka-shi, Shiga (JP)

JP D1492814 3/2014
JP D1492815 3/2014

(Continued)

(72) Inventors: **Yusuke Maegawa,** Koka (JP);
Hidehiko Harada, Koka (JP)

OTHER PUBLICATIONS

(73) Assignee: **SCHOTT Japan Corporation,**
Koka-shi, Shiga (JP)

Japanese Office Action in Japanese Design Application No. 2016-025094, dated Jul. 3, 2017, 2 pages, with partial English translation, 2 pages.

(**) Term: **15 Years**

Primary Examiner — Jennifer Rivard

(21) Appl. No.: **29/649,304**

Assistant Examiner — Alison M Ofstun

(22) Filed: **May 29, 2018**

(74) *Attorney, Agent, or Firm* — W. F. Fasse

Related U.S. Application Data

(62) Division of application No. 29/591,107, filed on Jan. 17, 2017.

(51) **LOC (11) Cl.** **13-03**

(52) **U.S. Cl.**
USPC **D13/156**

(58) **Field of Classification Search**
USPC D13/151, 155, 156, 120, 133, 134, 146;
D15/9
CPC .. H01R 13/52; H01R 13/523; H01R 13/5205;
H01R 13/521; H01R 13/5227; H01R
13/5219; H01B 17/303; H01B 17/305;
Y10T 29/4998

See application file for complete search history.

(56) **References Cited**

U.S. PATENT DOCUMENTS

3,551,191 A 12/1970 Goldberg
3,566,341 A * 2/1971 Skony H01R 13/567
439/685
3,721,948 A 3/1973 Brandt et al.
3,988,053 A * 10/1976 Dodenhoff H01R 13/521
439/887
4,420,210 A * 12/1983 Karol H01R 13/521
174/152 GM

(Continued)

(57) **CLAIM**

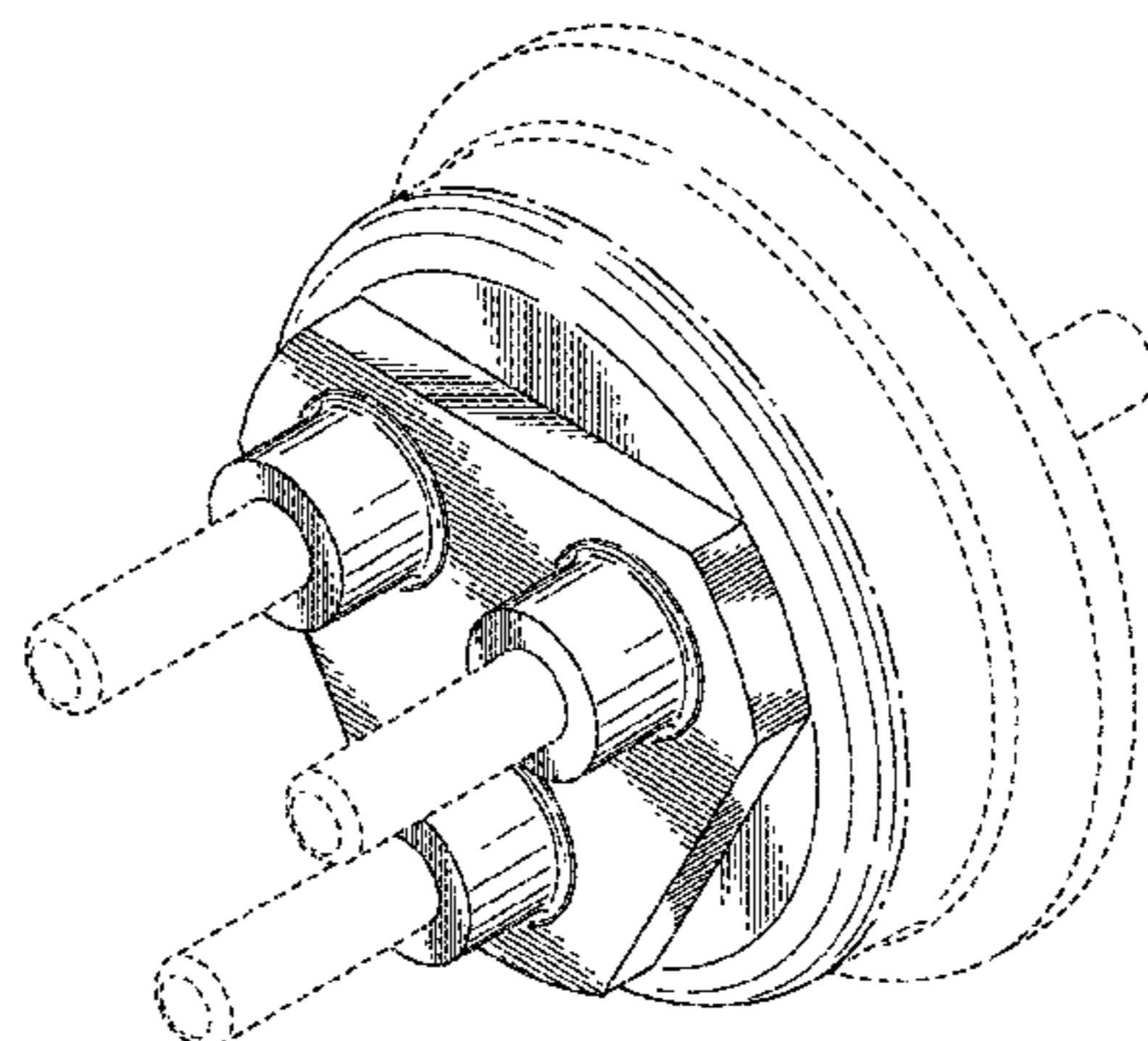
The ornamental design for a hermetic terminal, as shown and described.

DESCRIPTION

FIG. 1 is a perspective view of a hermetic terminal showing our new design;
FIG. 2 is a front view thereof;
FIG. 3 is a rear view thereof;
FIG. 4 is a top view thereof;
FIG. 5 is a bottom view thereof;
FIG. 6 is a right view thereof;
FIG. 7 is a left view thereof; and,
FIG. 8 is a cross sectional view taken along line 8-8 of FIG. 2.

The short-dash broken lines illustrate unclaimed portions of the hermetic terminal and form no part of the claimed design. The long-dash and short-dash broken line represents an unclaimed boundary between the claimed design and unclaimed portions of the hermetic terminal, and forms no part of the claimed design.

1 Claim, 4 Drawing Sheets



(56)

References Cited

U.S. PATENT DOCUMENTS

4,584,433 A * 4/1986 Bowsky H01B 17/305
174/152 GM
4,611,873 A * 9/1986 Punako H01R 13/6588
439/277
5,129,843 A * 7/1992 Bowsky H01R 13/521
439/181
5,131,858 A * 7/1992 Heimbrock H01R 13/53
439/181
5,493,073 A * 2/1996 Honkomp H01B 17/305
174/152 GM
5,580,282 A * 12/1996 Paterek H01R 13/521
439/271
5,664,959 A * 9/1997 Duell H01R 13/5219
439/278
6,107,566 A * 8/2000 Quadir H01B 17/303
174/50.52
6,114,633 A 9/2000 Duhancik
6,273,754 B1 * 8/2001 Bunch H01R 13/405
439/587
6,509,525 B2 * 1/2003 Honkomp H01B 17/303
174/152 GM

D537,414 S * 2/2007 Saito D13/146
D708,147 S 7/2014 Auguste et al.
D708,148 S 7/2014 Auguste et al.
8,794,999 B2 * 8/2014 Schuckmann H01R 13/44
439/587
D717,246 S 11/2014 Ilkhanov et al.
D720,301 S 12/2014 Schuckmann et al.
D730,288 S 5/2015 Ilkhanov et al.
D740,232 S 10/2015 Auguste et al.
D749,515 S 2/2016 Schuckmann et al.
D749,516 S 2/2016 Schuckmann et al.
D749,517 S 2/2016 Schuckmann et al.
D756,929 S 5/2016 Harck et al.
2004/0029443 A1 2/2004 Quadir et al.
2014/0045369 A1 2/2014 Klaassen et al.
2014/0120750 A1 5/2014 Johnson
2016/0020547 A1 1/2016 Khadkikar et al.

FOREIGN PATENT DOCUMENTS

KR D30-07279062 1/2014
KR D30-07279063 1/2014

* cited by examiner

FIG.1

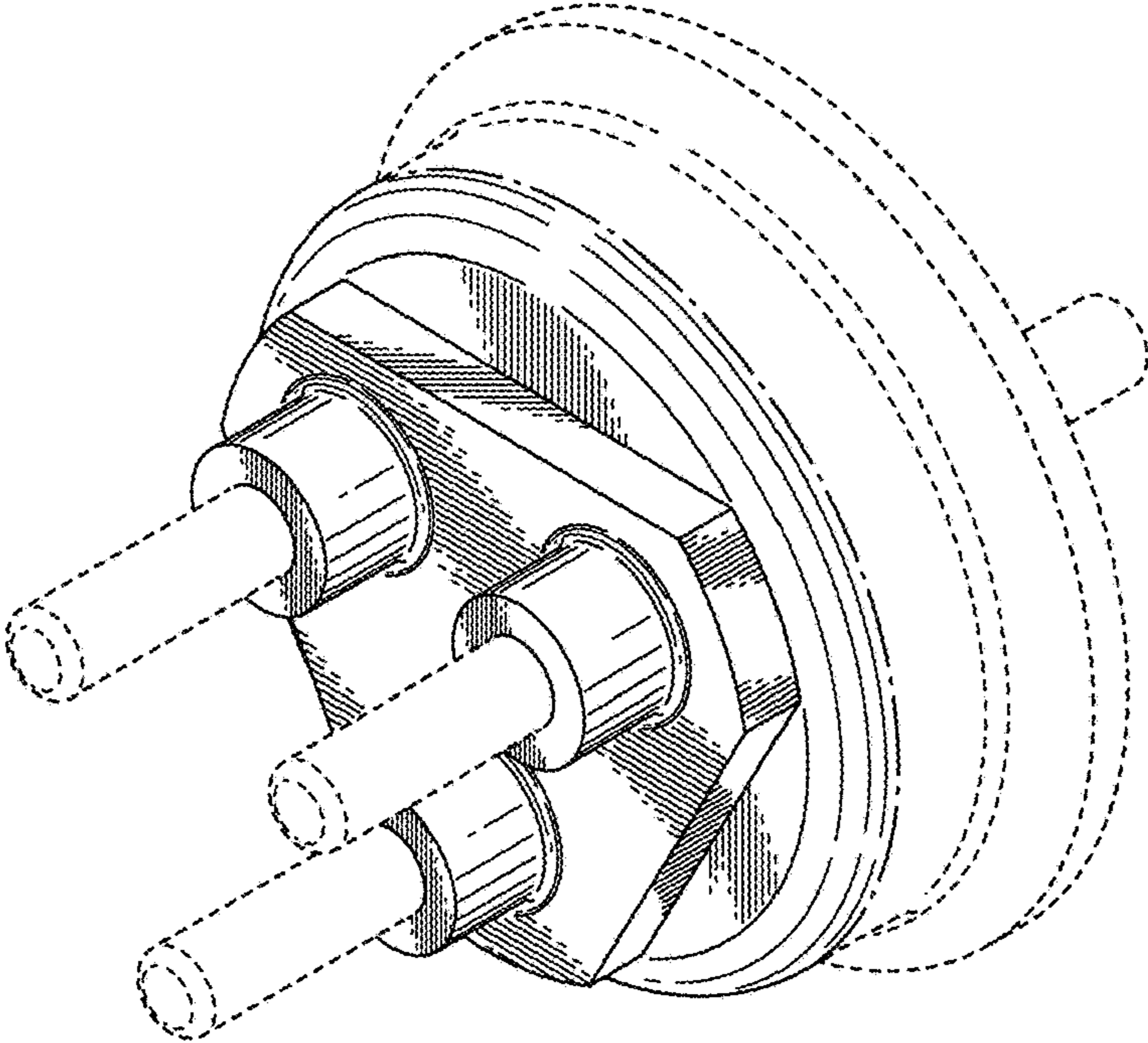


FIG.2

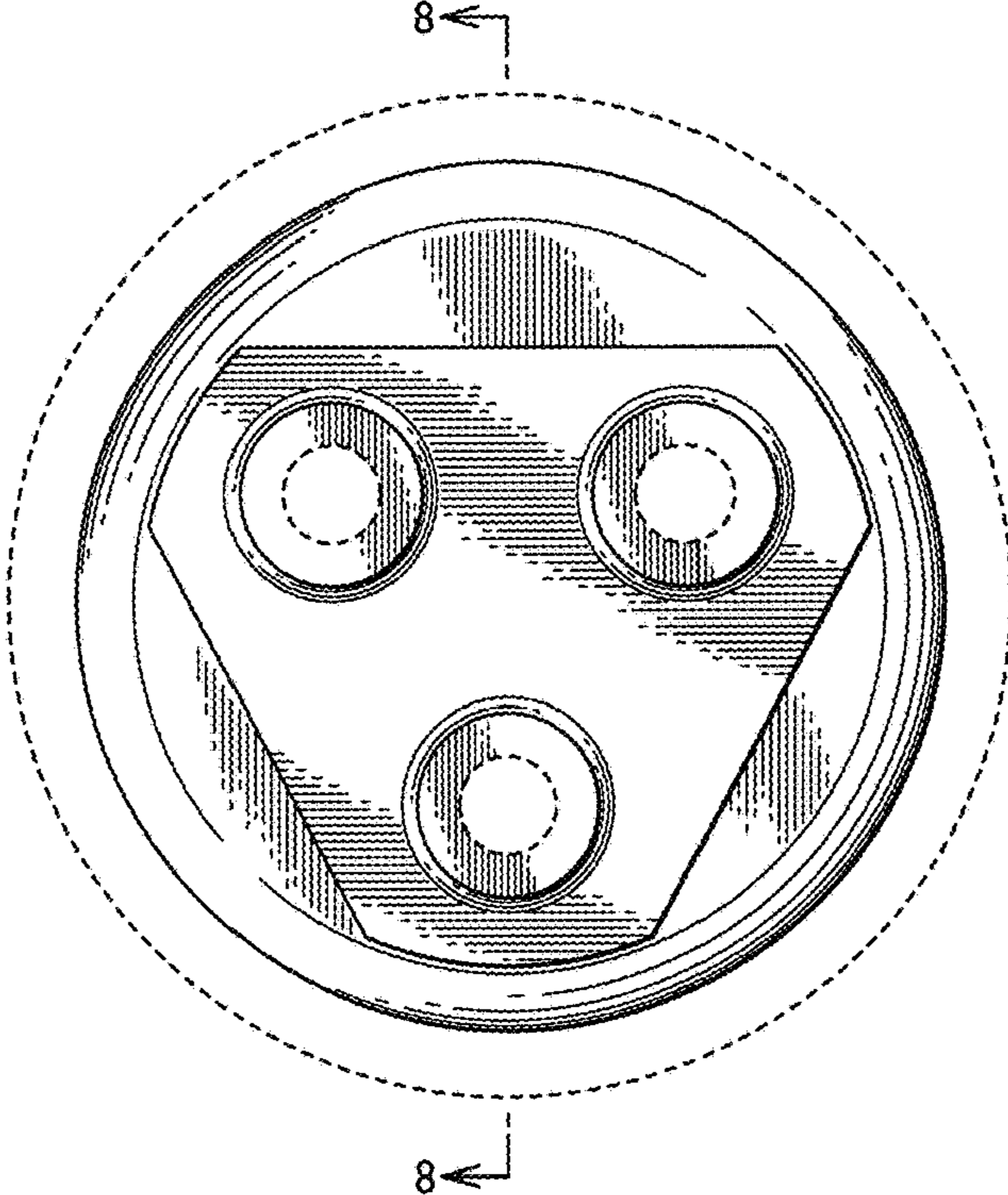


FIG. 3

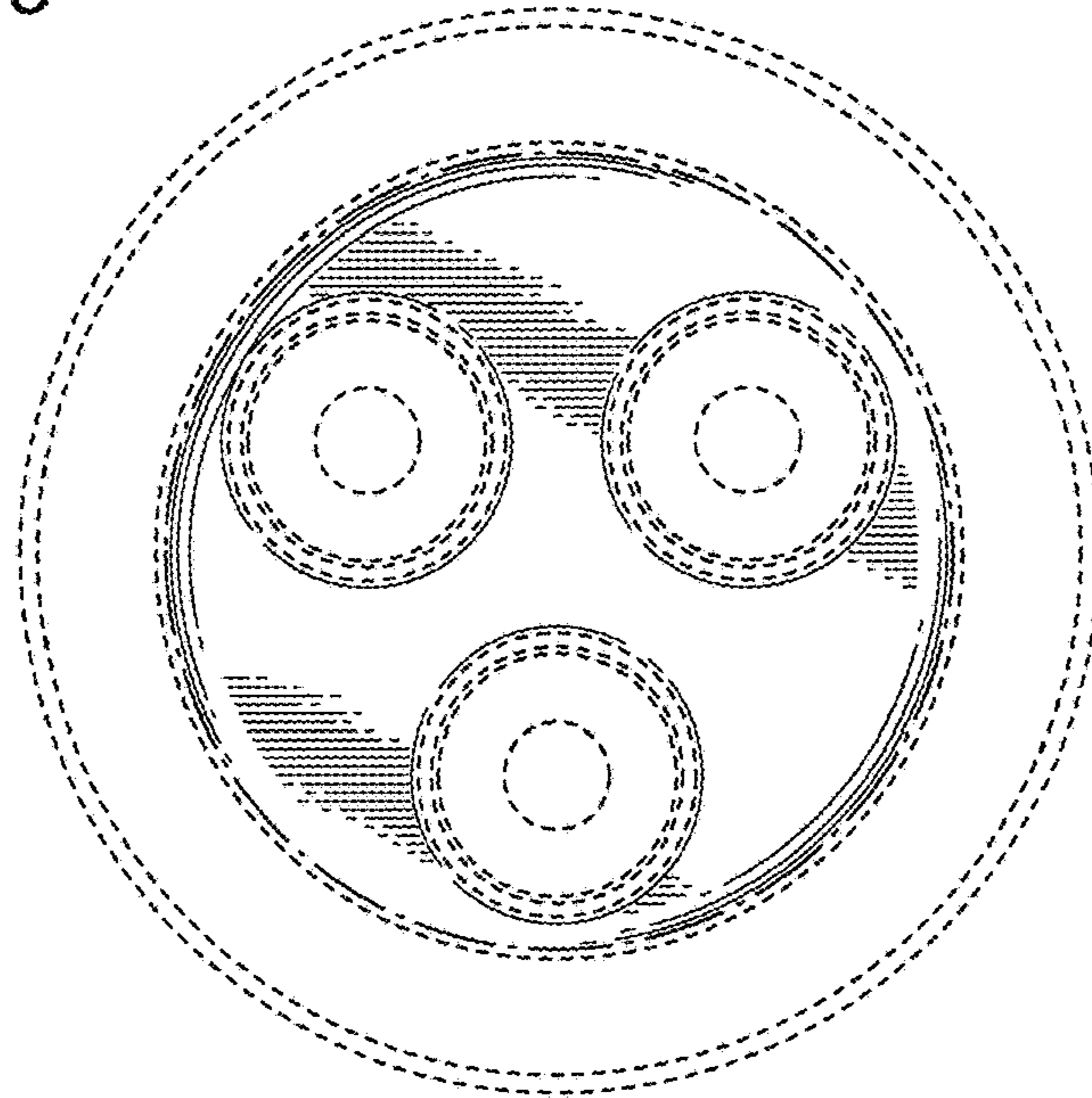


FIG. 4

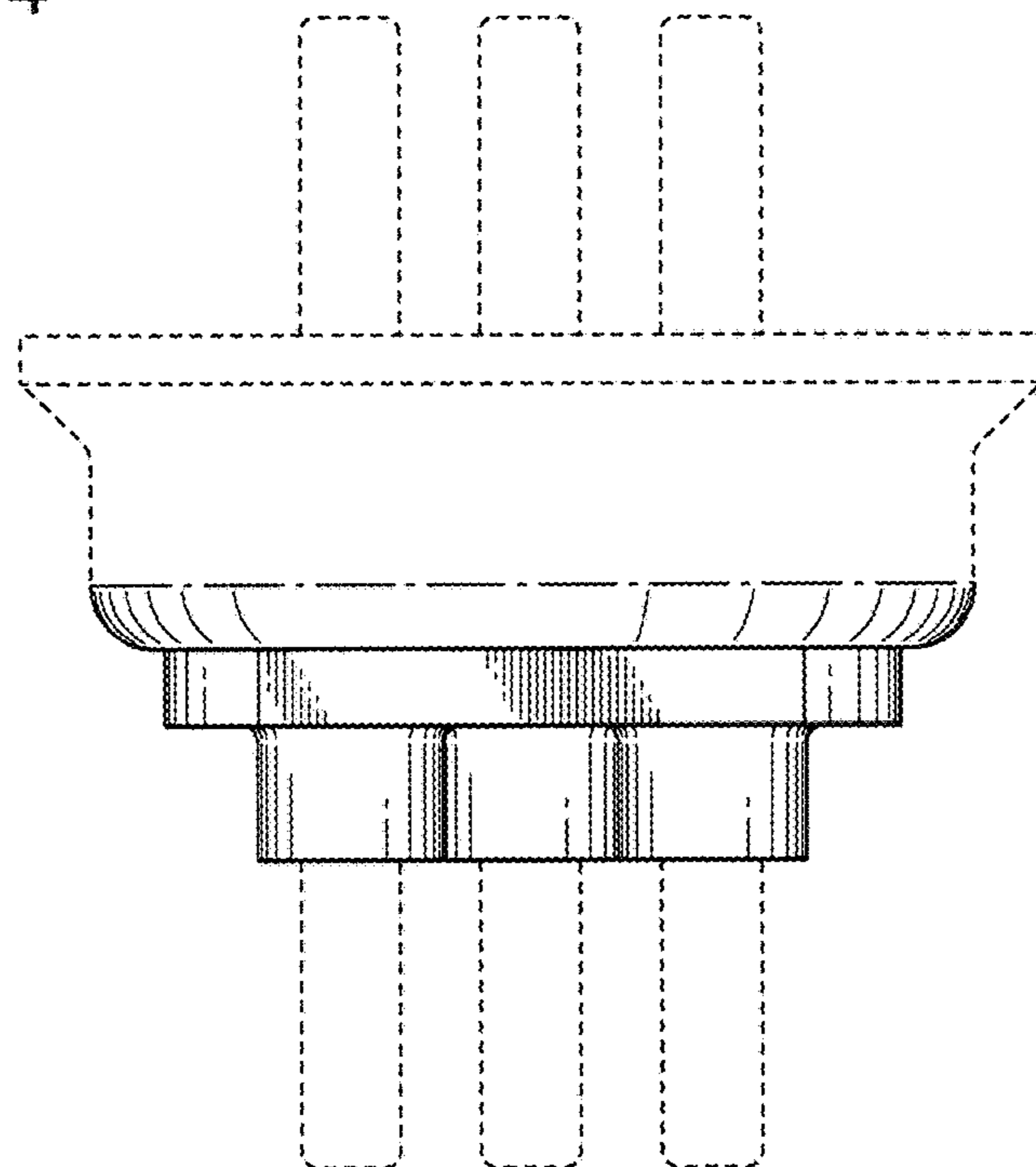


FIG. 5

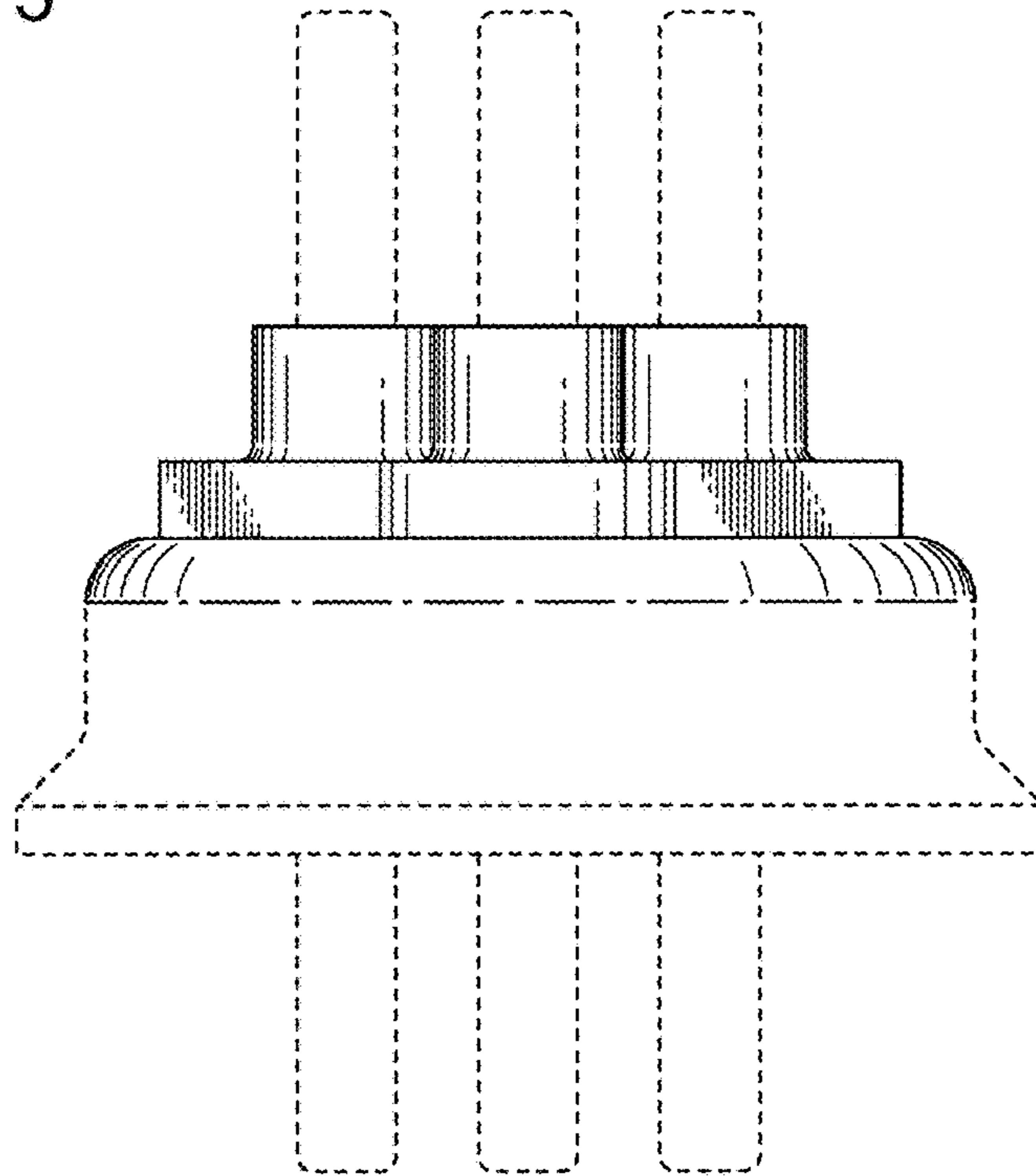


FIG. 6

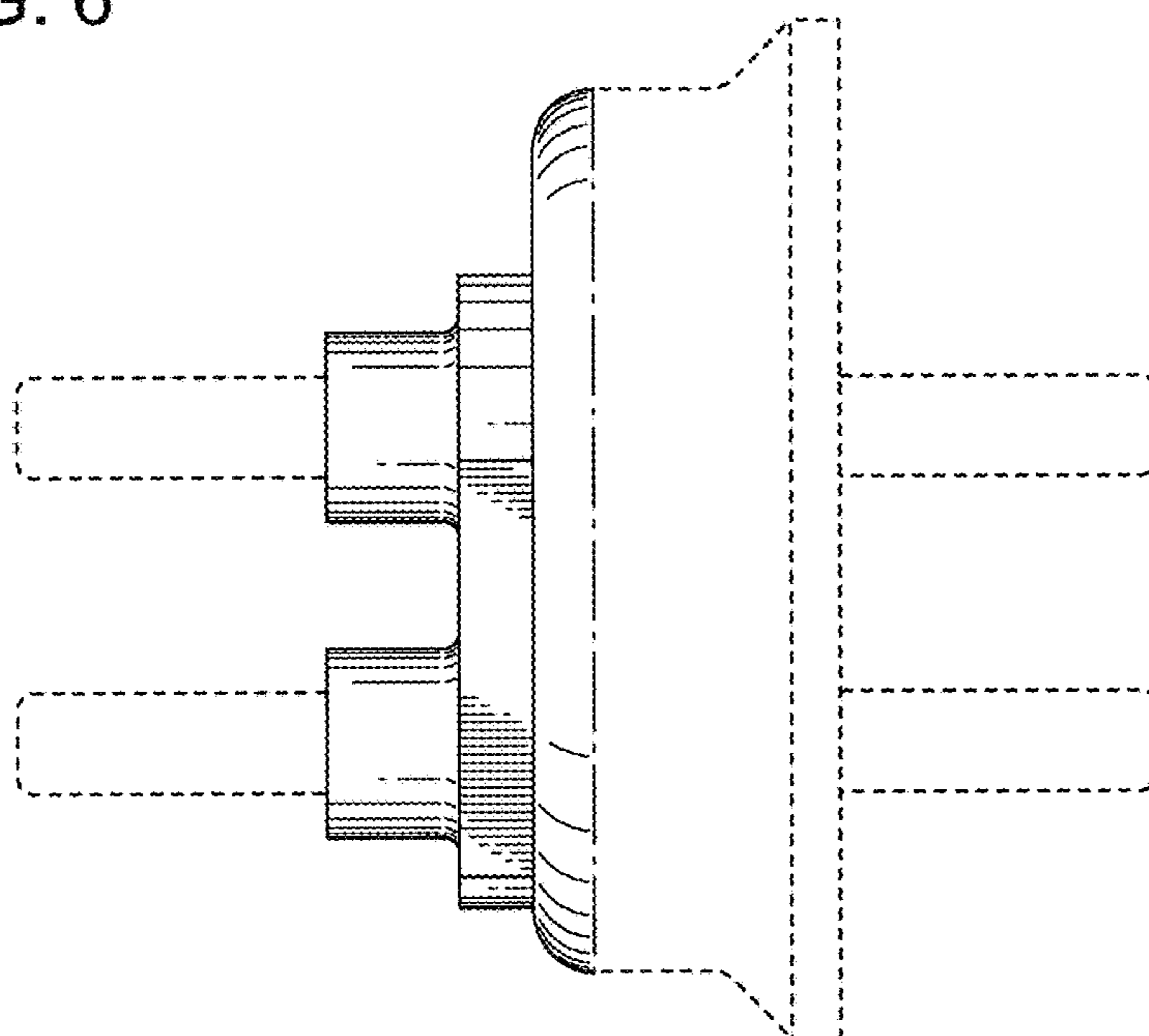


FIG.7

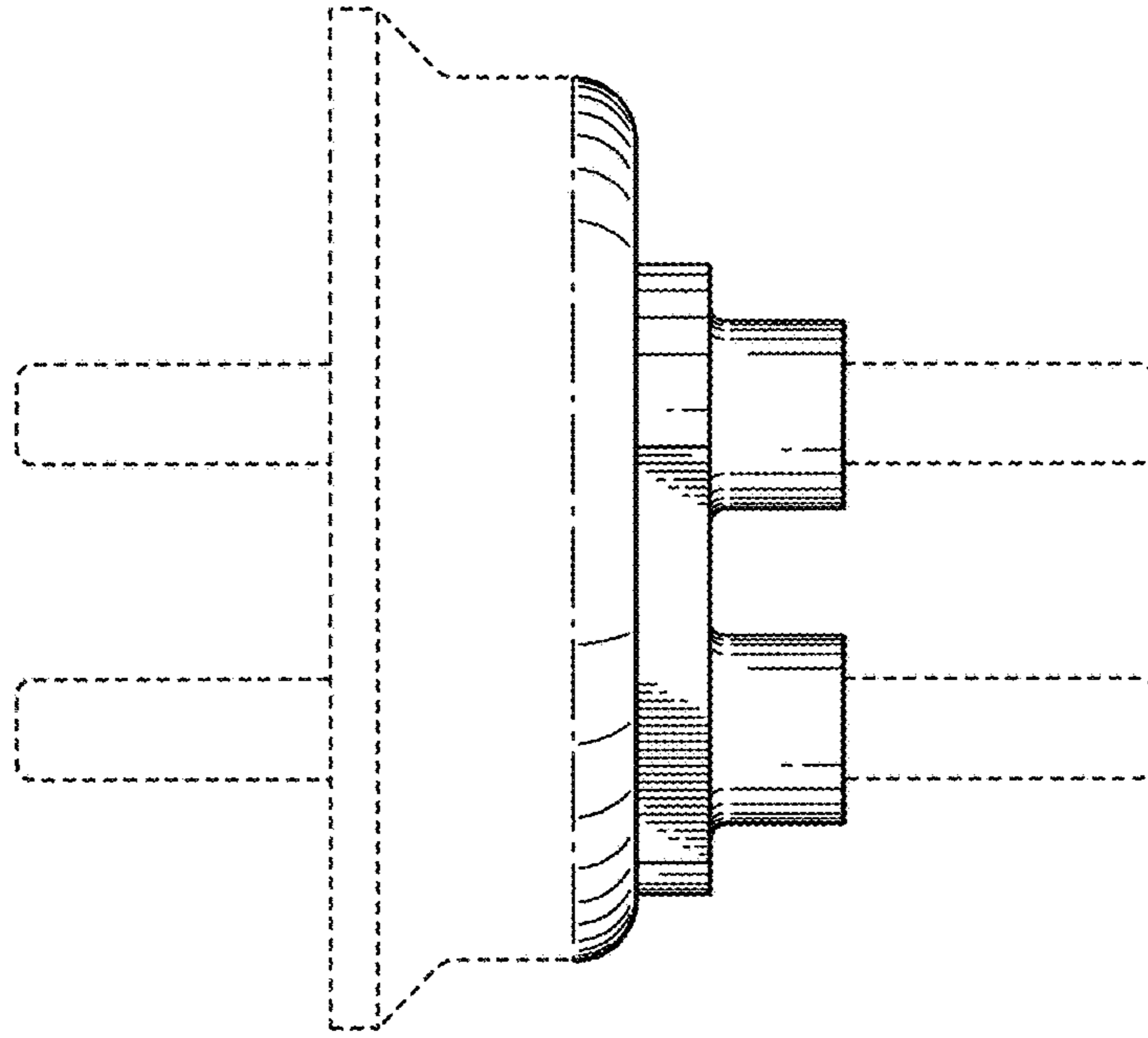


FIG.8

