



US00D849692S

(12) **United States Design Patent** (10) **Patent No.:** **US D849,692 S**
Marsden (45) **Date of Patent:** **** May 28, 2019**

(54) **OUTLET COVER**
(71) Applicant: **Elbee Pty Ltd.**, Bondi Junction (AU)
(72) Inventor: **Andrew Marsden**, Hingham, MA (US)
(73) Assignee: **Elbee Pty Ltd.**, Bondi Junction (AU)
(**) Term: **15 Years**
(21) Appl. No.: **29/617,603**
(22) Filed: **Sep. 14, 2017**
(51) **LOC (11) Cl.** **13-03**
(52) **U.S. Cl.**
USPC **D13/156**
(58) **Field of Classification Search**
USPC D13/110, 123, 133, 137.1, 139.1, 139.4,
D13/152, 154, 155, 156, 158, 162, 164,
D13/173, 177, 184; D8/349-351, 353;
174/67, 66
CPC H01R 13/443; H01R 13/447; H01R
13/6395; H01R 13/639; H01R 13/6397
See application file for complete search history.

D359,270 S * 6/1995 Connelly D13/154
D361,056 S * 8/1995 Barry D13/156
D383,727 S * 9/1997 Caruso D13/156
8,093,497 B2 1/2012 White
(Continued)

FOREIGN PATENT DOCUMENTS

KR 20-0453491 Y1 5/2011

OTHER PUBLICATIONS

U.S. Appl. No. 15/705,187, filed Sep. 14, 2017, Marsden.
(Continued)

Primary Examiner — Derrick E Holland
Assistant Examiner — Jennifer O King
(74) *Attorney, Agent, or Firm* — Wolf, Greenfield & Sacks, P.C.

(57) **CLAIM**

The ornamental design for an outlet cover, as shown and described.

(56) **References Cited**

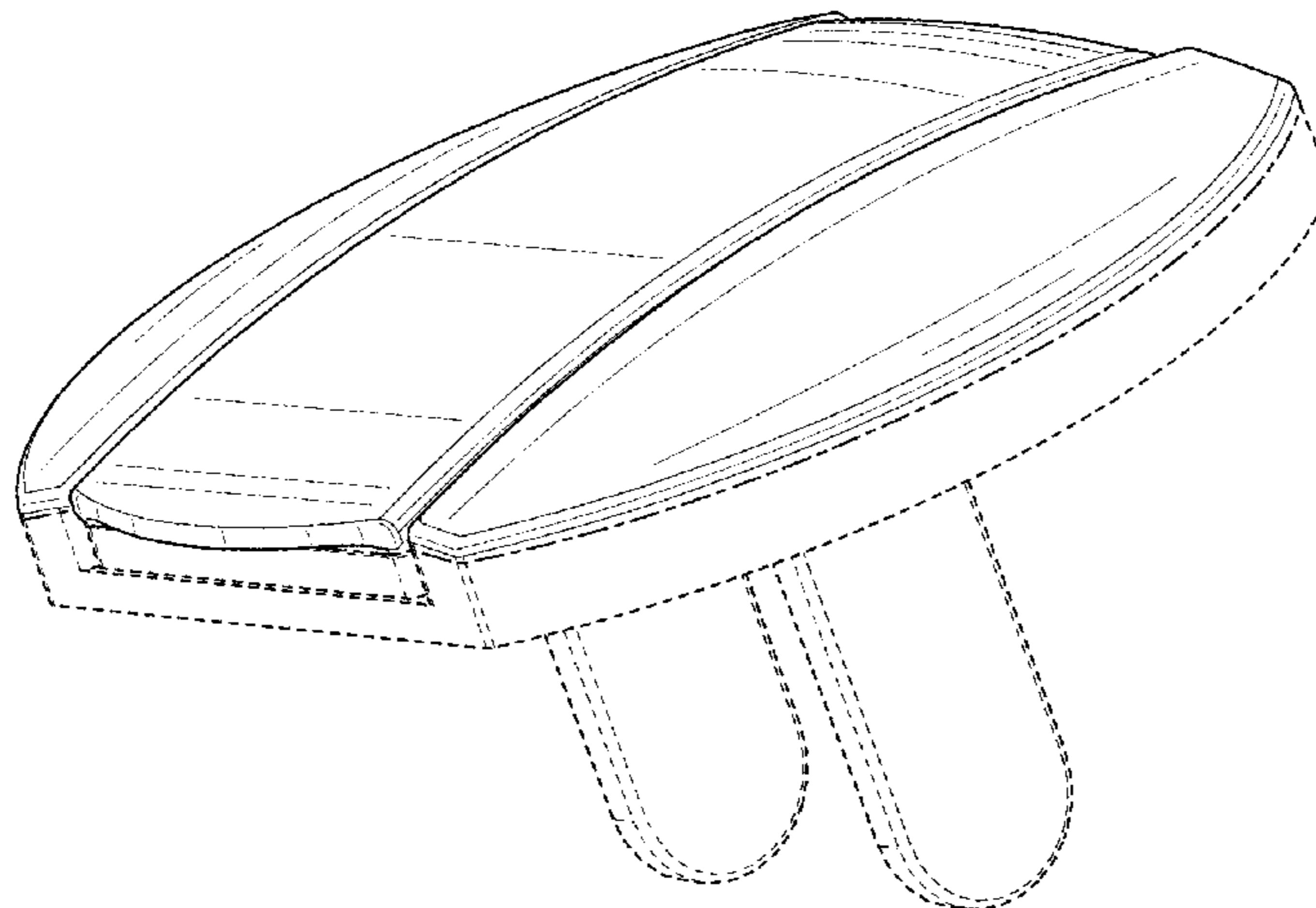
U.S. PATENT DOCUMENTS

D28,471 S * 4/1898 Newton D13/178
D118,894 S * 2/1940 Williams D13/133
D118,923 S * 2/1940 Williams D13/133
D118,924 S * 2/1940 Williams D13/154
D151,571 S * 10/1948 Tillinghast 439/148
D155,174 S * 9/1949 Martin D13/156
D189,452 S * 12/1960 Bellek 174/67
D222,262 S * 10/1971 Hartford D13/156
4,293,173 A * 10/1981 Tricca H01R 13/443
174/67
4,760,215 A 7/1988 Cook et al.
4,801,271 A 1/1989 Piper
5,017,148 A * 5/1991 Buckshaw H01R 13/443
439/135
5,080,599 A * 1/1992 Wimberly H01R 13/443
174/67
5,320,542 A 6/1994 Cheng

DESCRIPTION

FIG. 1 is a front, bottom, right perspective view of the outlet cover according to my new design;
FIG. 2 is a front elevation view thereof;
FIG. 3 is a rear elevation view thereof;
FIG. 4 is a left side elevation view thereof;
FIG. 5 is a right side elevation view thereof;
FIG. 6 is a top plan view thereof; and,
FIG. 7 is a bottom plan view thereof.
The dash-dash broken lines in the drawing depict portions of the outlet cover that form no part of the claimed design. The short dash-long dash lines in the drawings depict boundaries of the claimed design that form no part of the claimed design.

1 Claim, 7 Drawing Sheets



(56)

References Cited

U.S. PATENT DOCUMENTS

9,570,833 B2 2/2017 Kloosterboer
2003/0143880 A1 7/2003 Bousquet

OTHER PUBLICATIONS

[No Author Listed] 10 Pcs Adjustable Handle Baby Anti-Shock Safety Socket Safety Cover Power Outlet Protective Cover 2—Hole 3—Phase. Aliexpress.com. <https://www.aliexpress.com/item/10-pcs-Adjustable-handle-baby-anti-shock-safety-socket-safety-cover-power-outlet-protective-cover-2/32784555605.html?spm=2114.search0301.4.159.KRtA0q>, 11 pages [accessed Sep. 8, 2017].

[No Author Listed] Safety 1st Press 'n Pull Plug Protectors 24 Pack. Amazon.com. <https://www.amazon.com/Safety-1st-Press-Pull-Protectors/dp/B0017ZCM3A>, 2 pages [accessed Sep. 7, 2017].

* cited by examiner

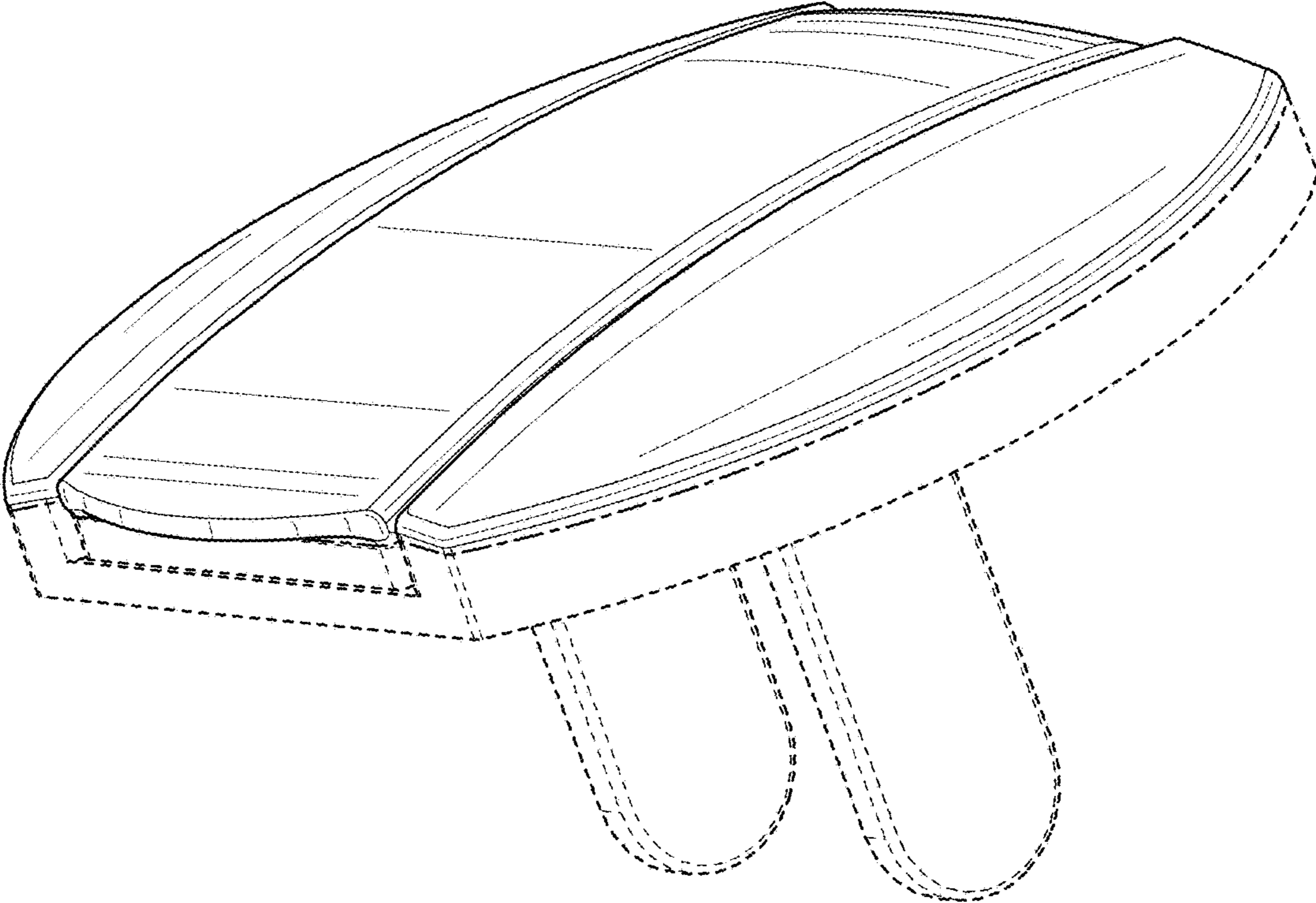


FIG. 1

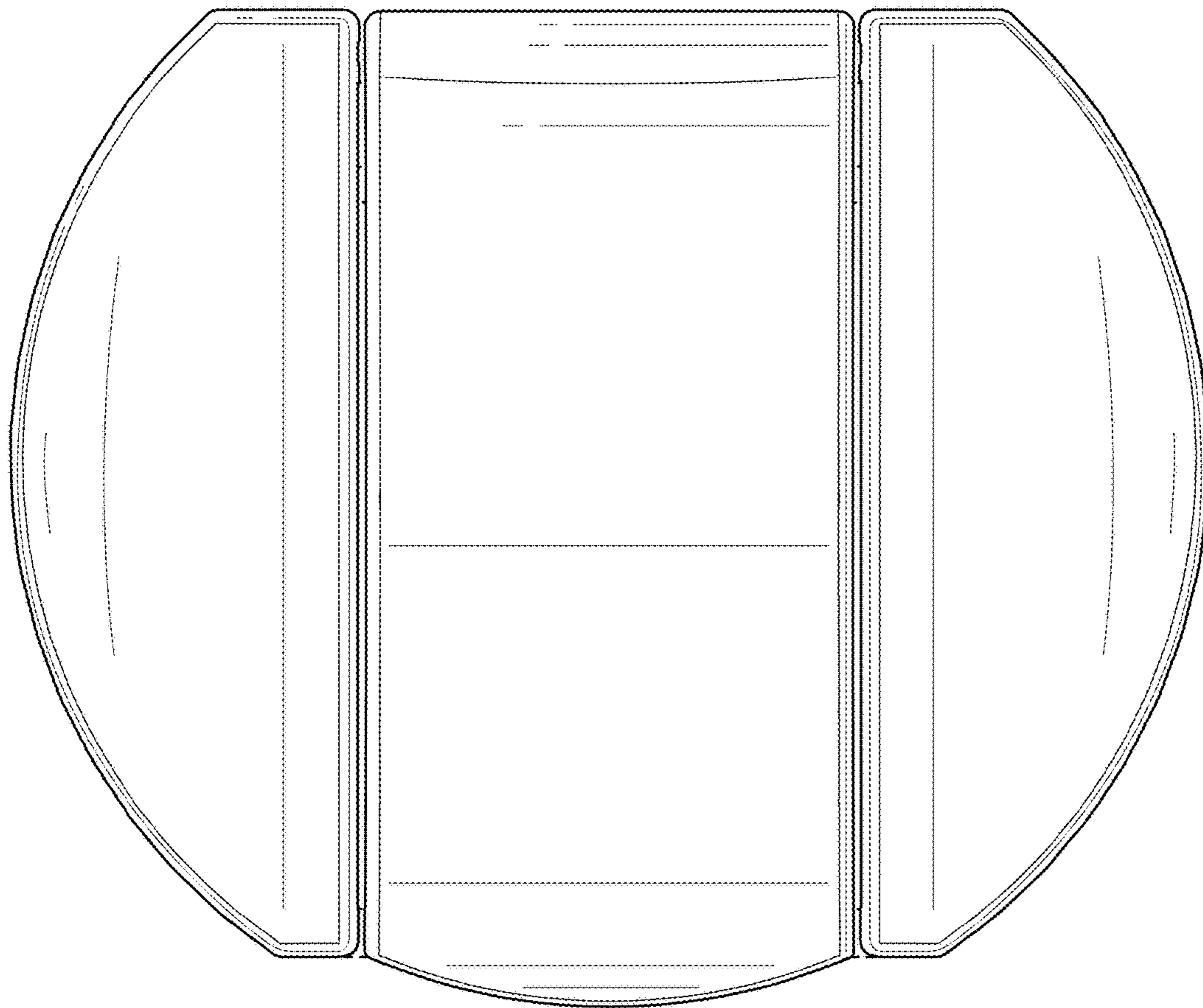


FIG. 2

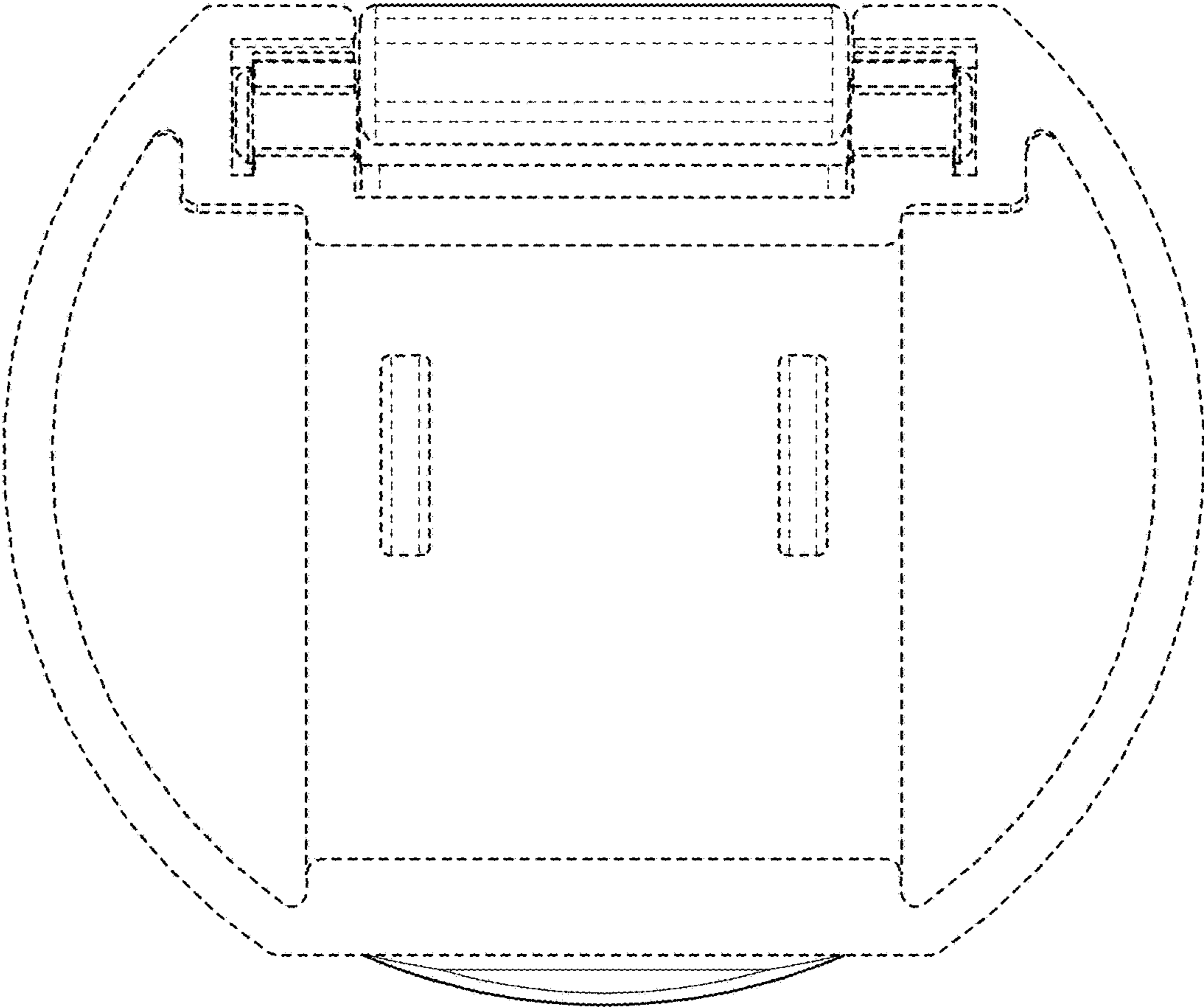


FIG. 3

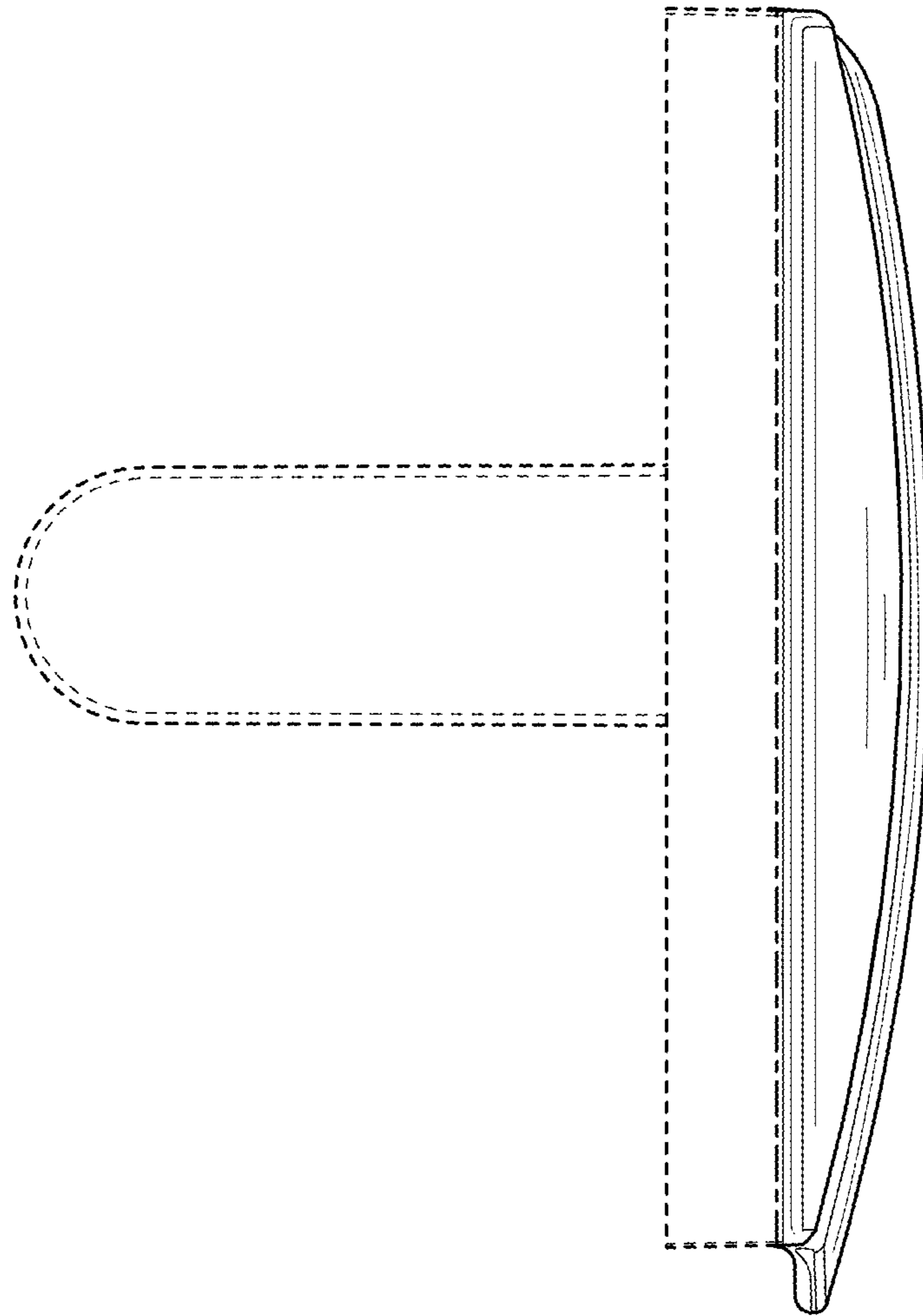


FIG. 4

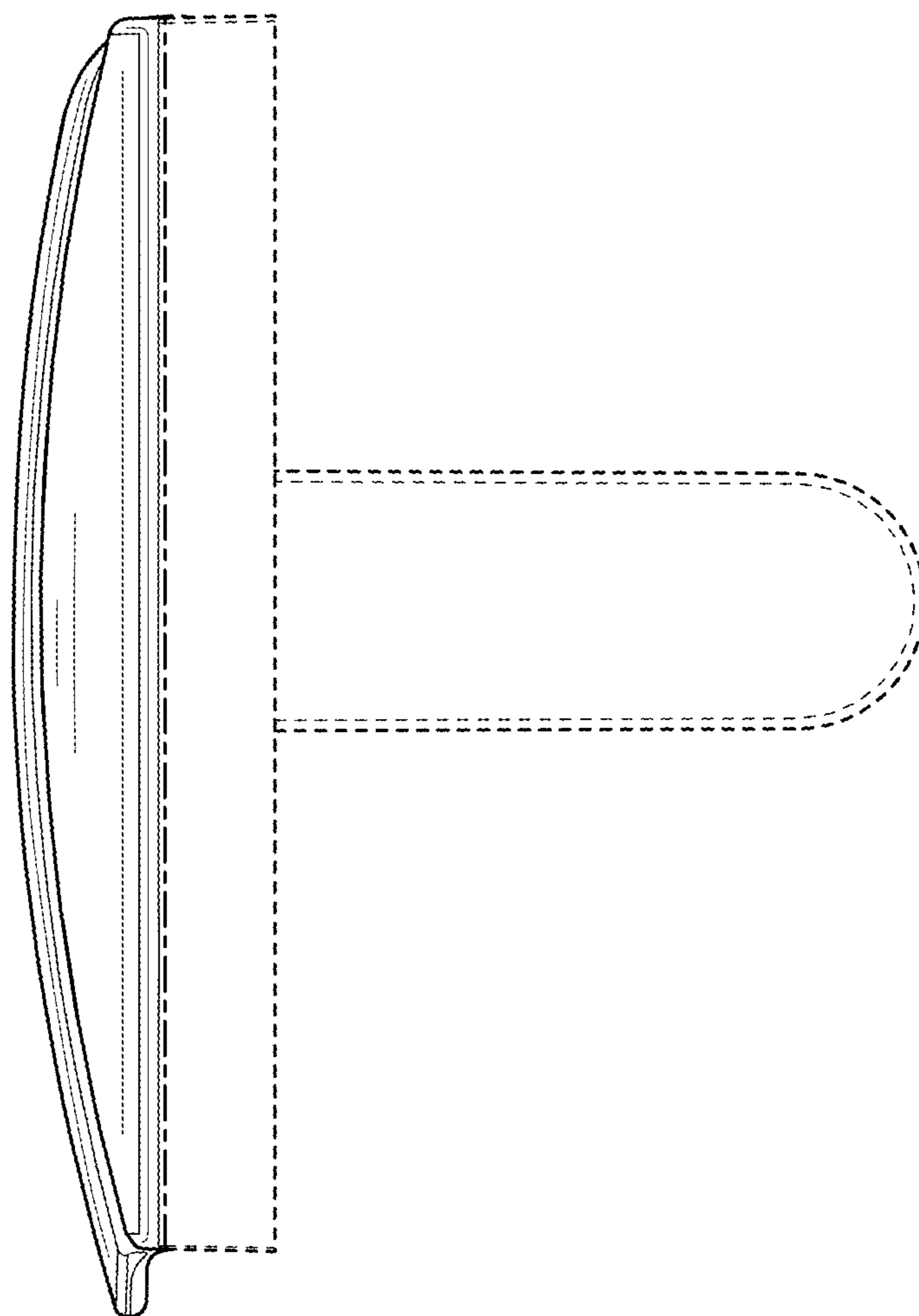


FIG. 5

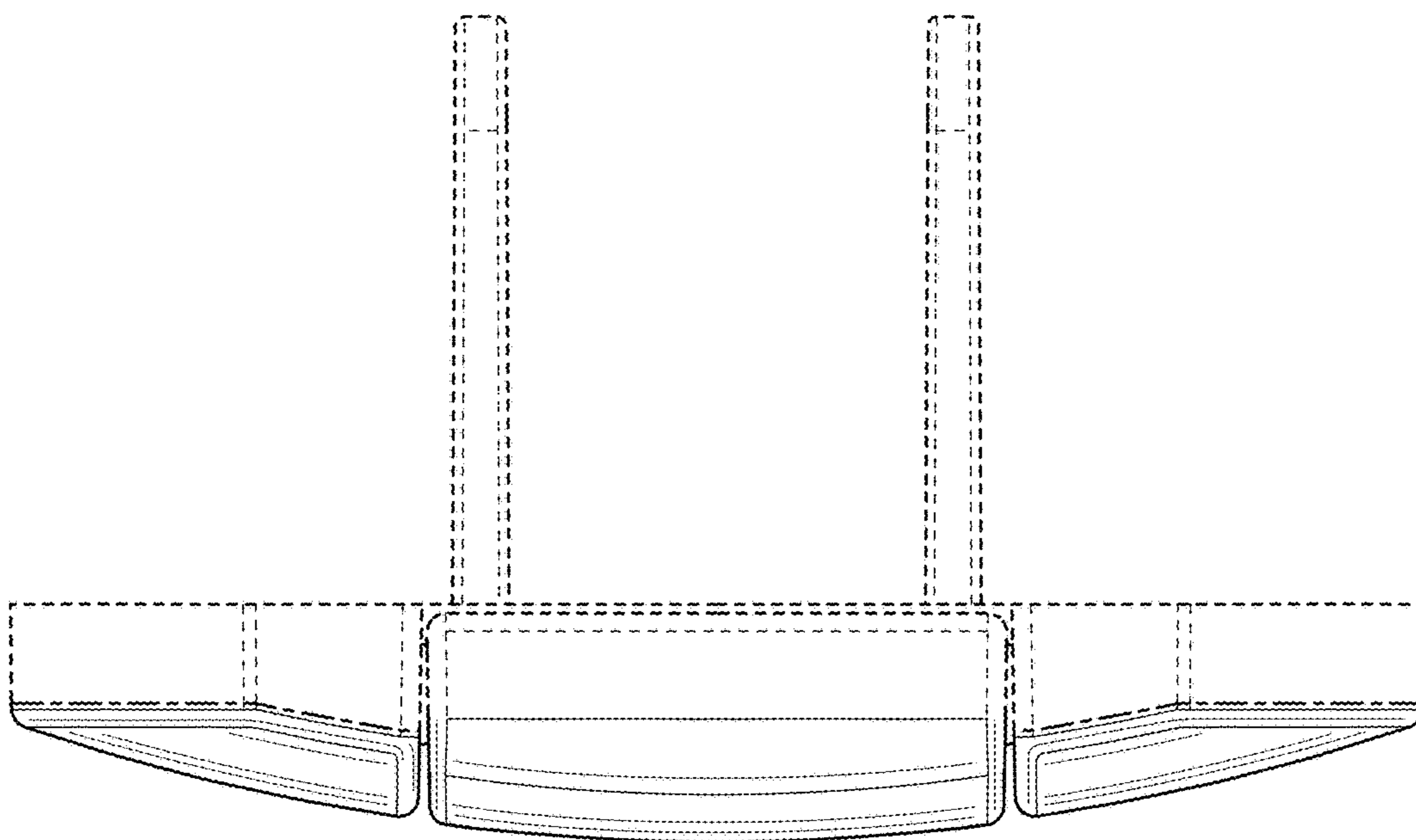


FIG. 6

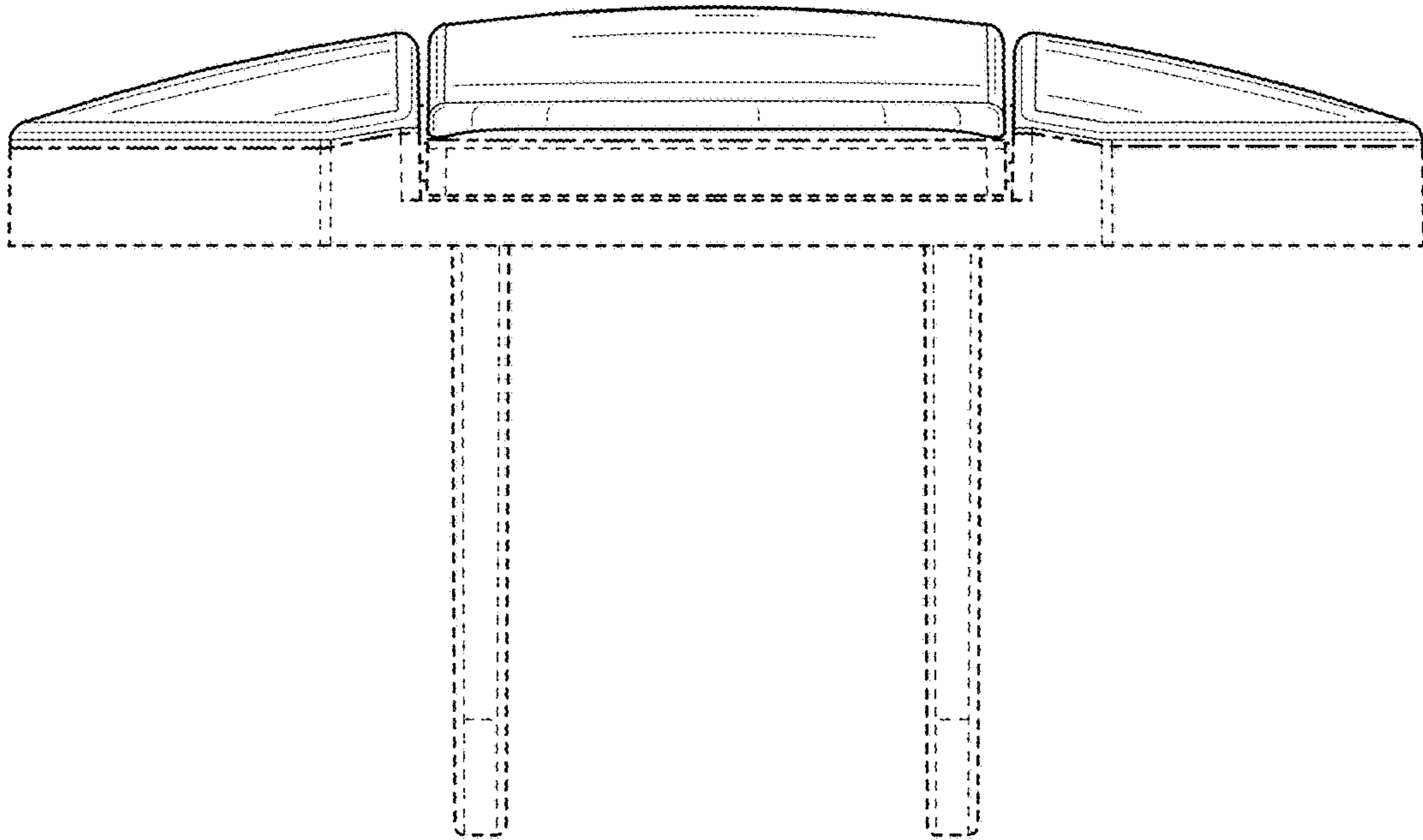


FIG. 7