



US00D849691S

(12) **United States Design Patent** (10) **Patent No.:** **US D849,691 S**
Sträng (45) **Date of Patent:** **** May 28, 2019**

(54) **FRAME FOR HIGH DENSITY LARGE CABLES**

(71) Applicant: **Roxtec AB**, Karlskrona (SE)

(72) Inventor: **Daniel Sträng**, Karlskrona (SE)

(73) Assignee: **Roxtec AB**, Karlskrona (SE)

(**) Term: **15 Years**

(21) Appl. No.: **29/606,150**

(22) Filed: **Jun. 1, 2017**

(30) **Foreign Application Priority Data**

Apr. 18, 2017 (EM) 003860550-0001
Apr. 18, 2017 (EM) 003860550-0002

(51) **LOC (11) Cl.** **13-03**

(52) **U.S. Cl.**
USPC **D13/155**

(58) **Field of Classification Search**
USPC D13/110, 120-122, 123, 133, 137.1,
D13/139.1, 139.4, 152, 154, 155, 156,
D13/158, 162, 164, 173, 177, 184, 199;
174/67, 66
CPC H02G 3/14; H02G 3/081; H01R 13/447
See application file for complete search history.

(56) **References Cited**

U.S. PATENT DOCUMENTS

D271,296 S * 11/1983 Jones D13/147
6,429,371 B2 * 8/2002 Schiedegger H02G 3/123
174/17 CT

D682,213 S * 5/2013 Byrne D13/139.4
D685,329 S * 7/2013 Byrne D13/139.4
D693,763 S * 11/2013 Ray D13/108
D709,832 S * 7/2014 Byrne D13/139.4
9,246,317 B2 * 1/2016 Byrne H02G 3/105
D781,240 S * 3/2017 Karlsson D13/155
D782,422 S * 3/2017 Karlsson D13/155
D797,056 S * 9/2017 Landqvist D13/155

* cited by examiner

Primary Examiner — Derrick E Holland

Assistant Examiner — Jennifer O King

(74) *Attorney, Agent, or Firm* — Merchant & Gould P.C.

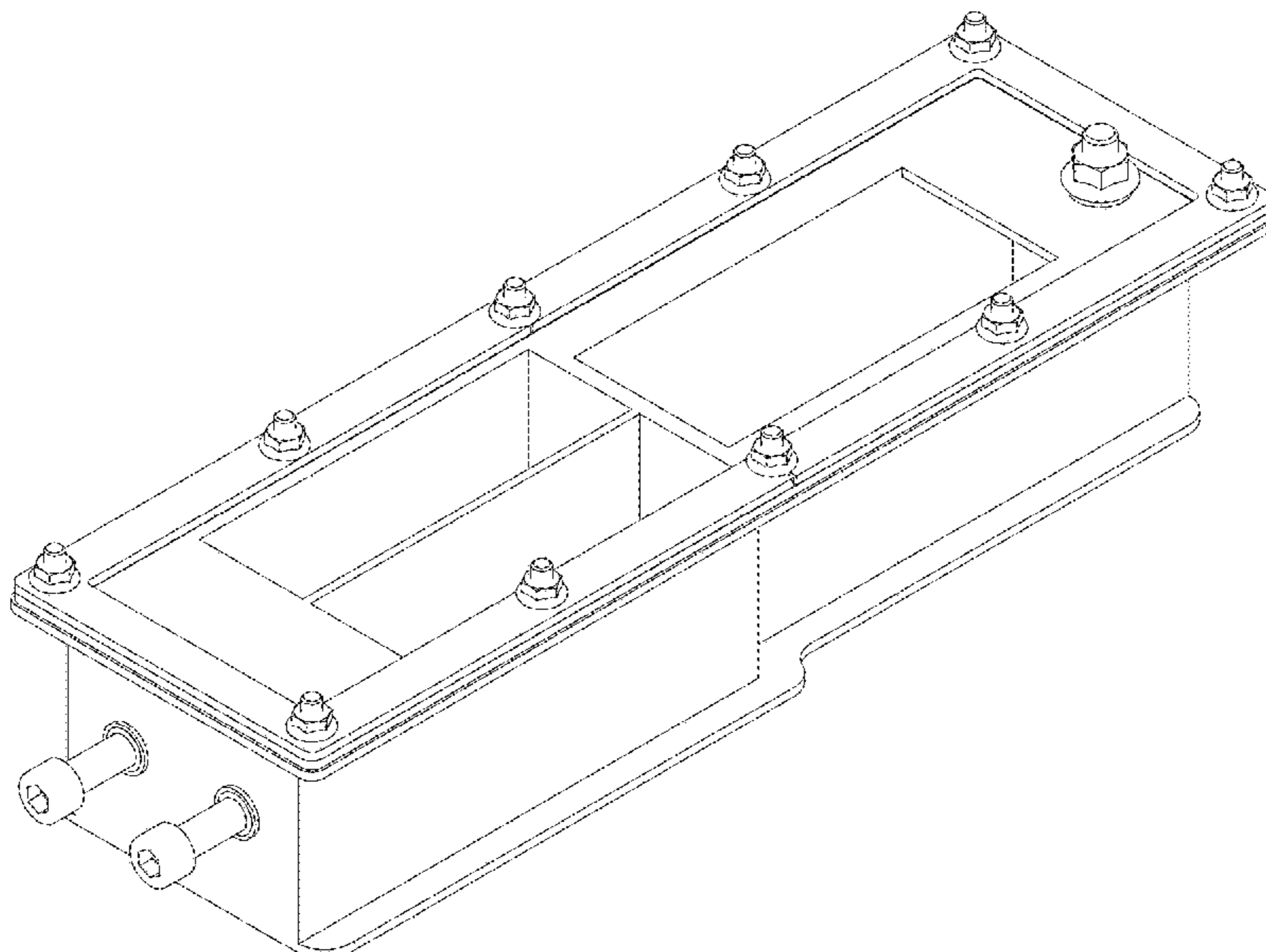
(57) **CLAIM**

The ornamental design for a frame for high density large cables, as shown and described.

DESCRIPTION

FIG. 1 is a bottom perspective view of a frame for high density large cables;
FIG. 2 is a top perspective view thereof;
FIG. 3 is a bottom view thereof;
FIG. 4 is a top view thereof;
FIG. 5 is a front view thereof;
FIG. 6 is a back view thereof; and,
FIG. 7 is a side view thereof.

1 Claim, 6 Drawing Sheets



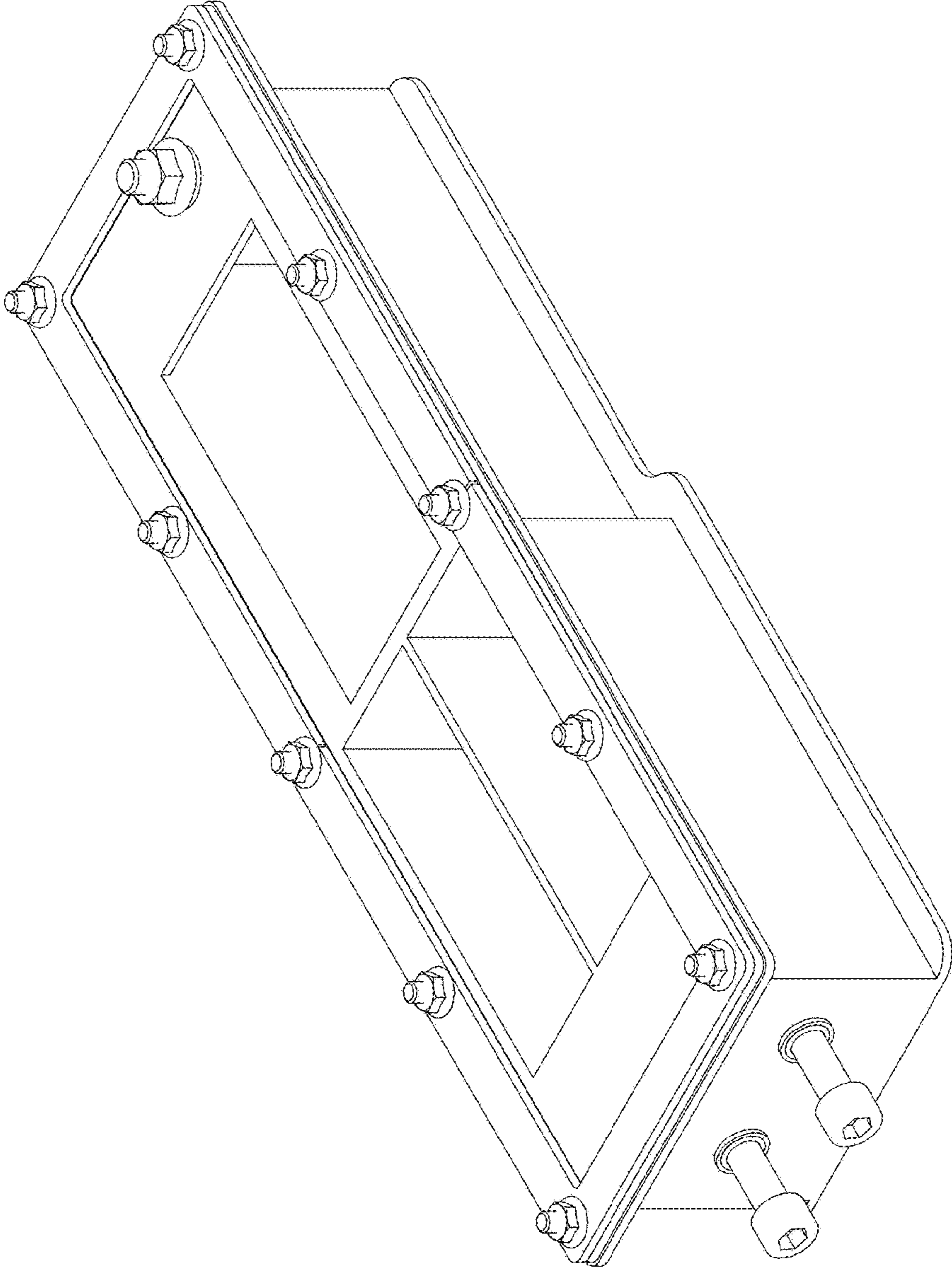


FIG. 1

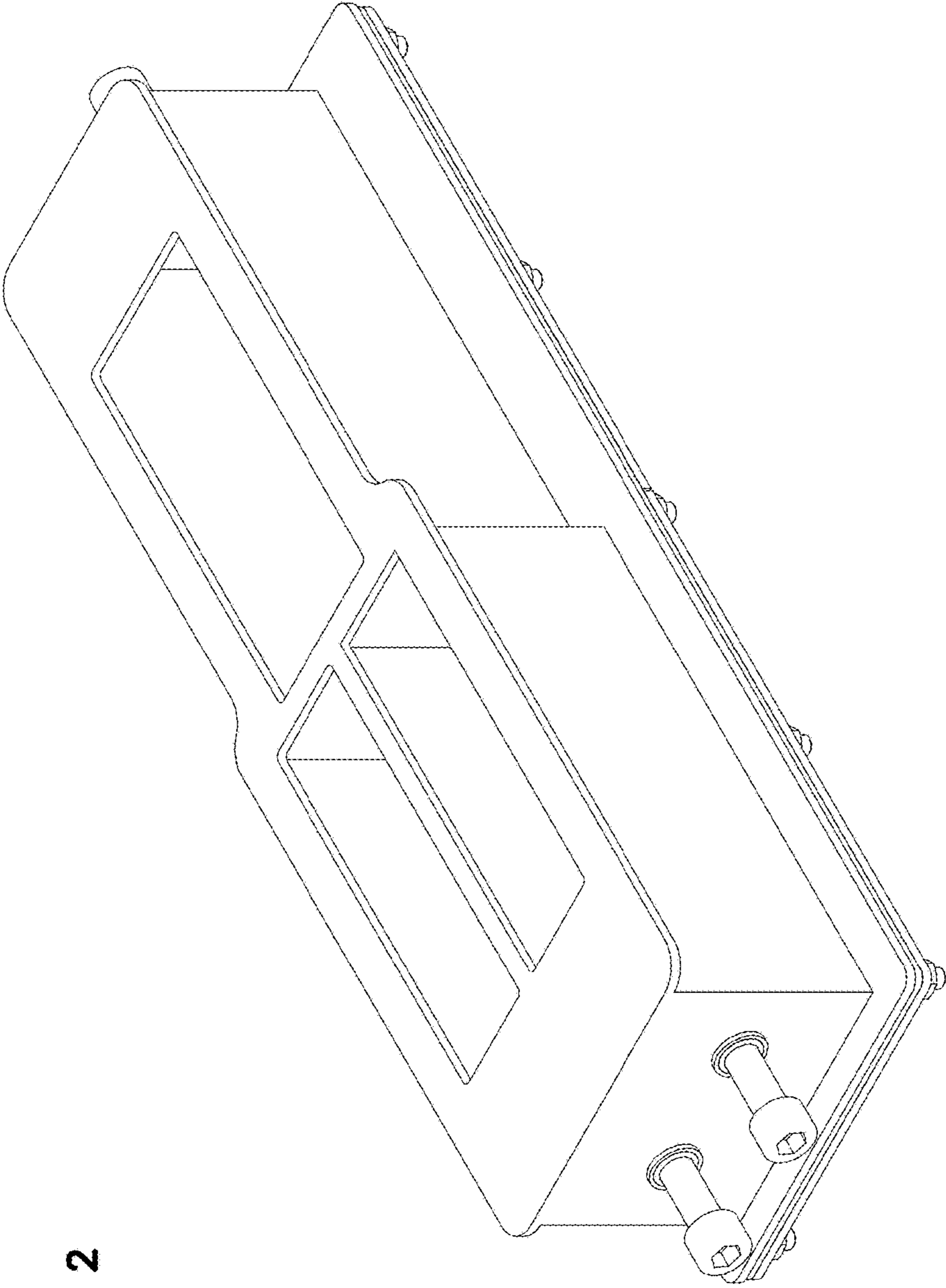


FIG. 2

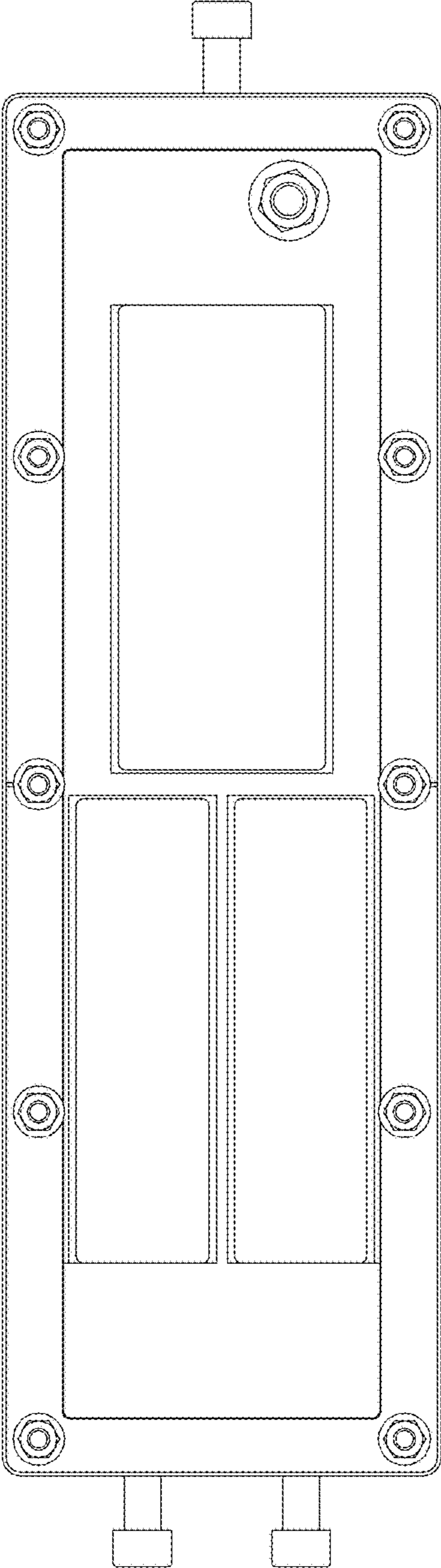


FIG. 3

FIG. 4

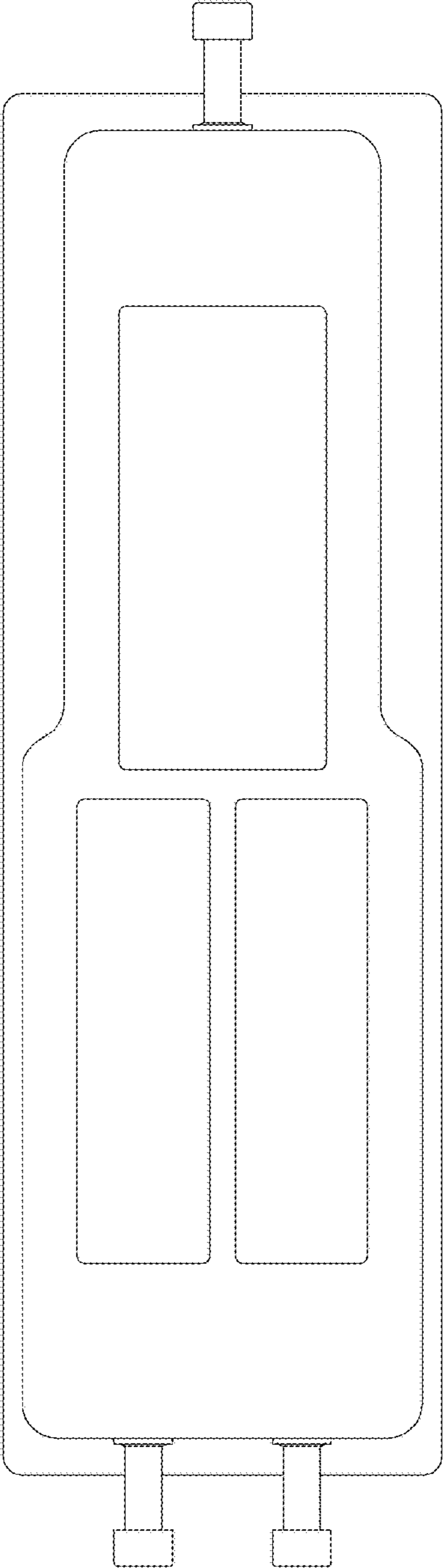


FIG. 5

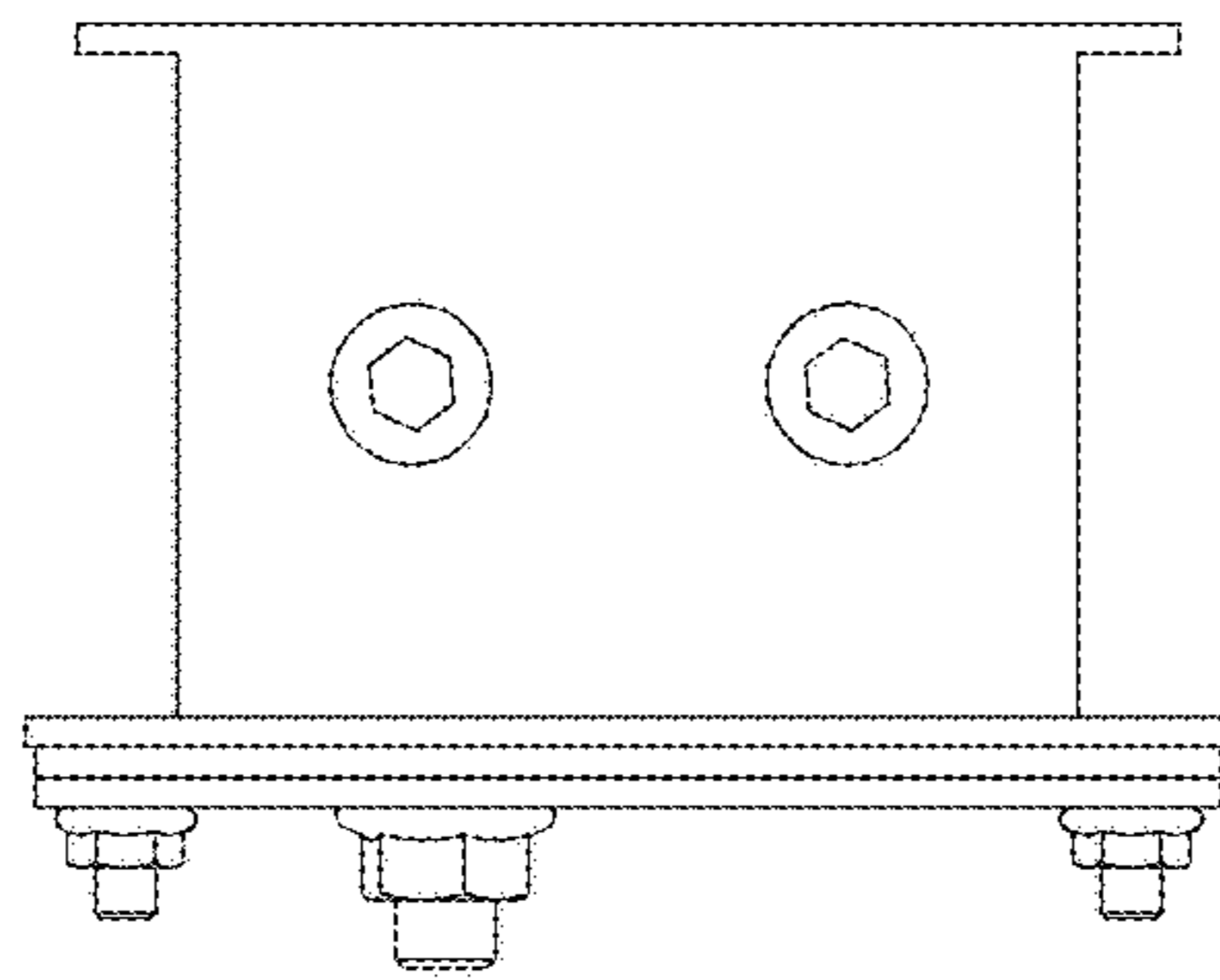


FIG. 6

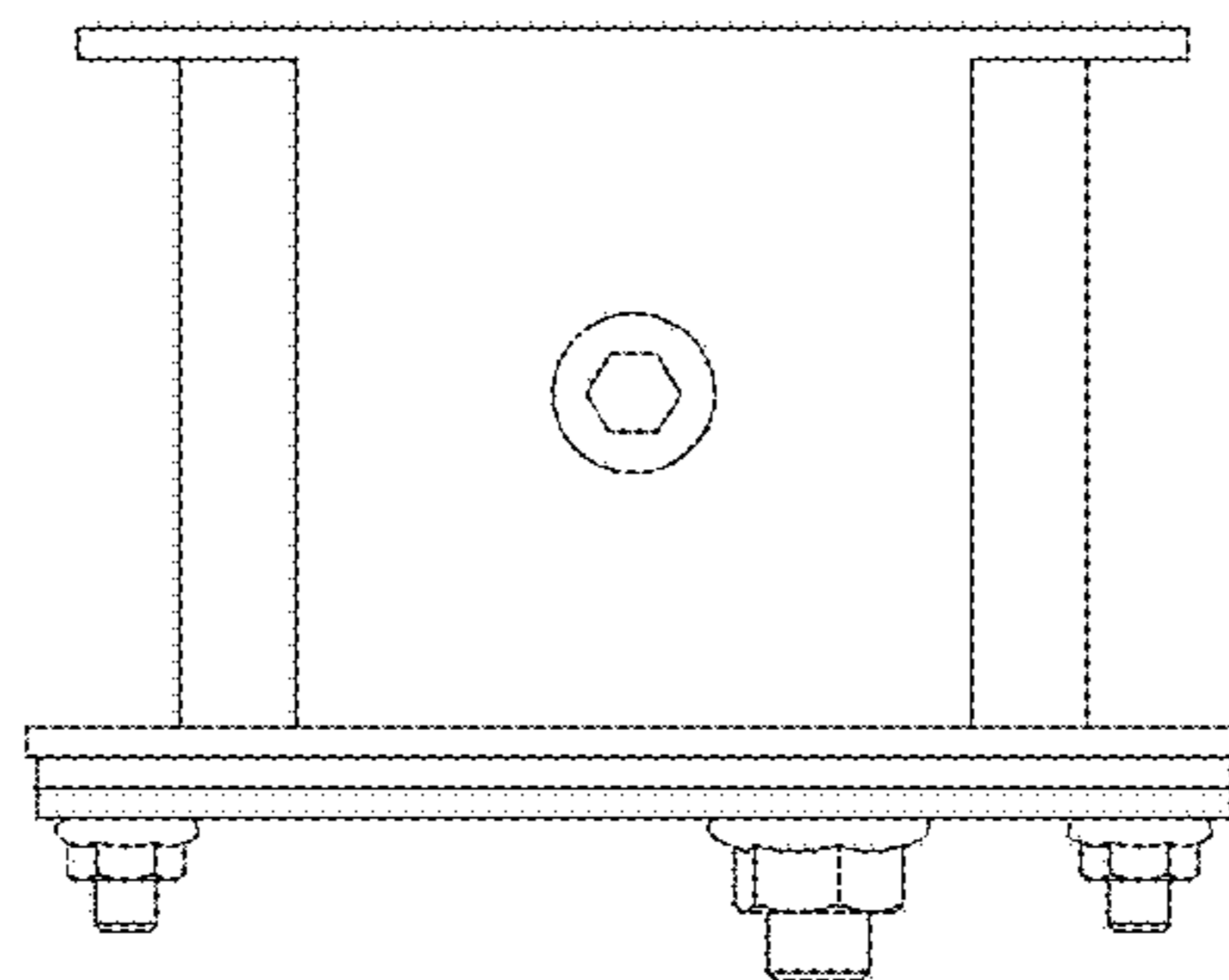


FIG. 7

