



US00D849690S

(12) **United States Design Patent**
Luo

(10) **Patent No.:** **US D849,690 S**

(45) **Date of Patent:** **** May 28, 2019**

(54) **ELECTRICAL CONNECTOR HOUSING**

(71) Applicant: **Samtec, Inc.**, New Albany, IN (US)

(72) Inventor: **Xiao Ping Luo**, Huizhou (CN)

(73) Assignee: **SAMTEC, INC.**, New Albany, IN (US)

(**) Term: **15 Years**

(21) Appl. No.: **29/647,971**

(22) Filed: **May 17, 2018**

Related U.S. Application Data

(62) Division of application No. 29/556,754, filed on Mar. 3, 2016, now Pat. No. Des. 836,557.

(51) **LOC (11) Cl.** **13-03**

(52) **U.S. Cl.**
USPC **D13/147**; D13/149

(58) **Field of Classification Search**
USPC D13/110, 118-121, 123, 133, 146-149,
D13/154, 173, 184, 199
CPC H01R 3/00; H01R 11/00; H01R 11/01;
H01R 11/20; H01R 13/00; H01R 13/44;
H01R 13/46; H01R 13/58; H01R 13/60;
H01R 13/61; H01R 13/62; H01R 13/63;
H01R 13/71; H01R 13/72; H01R 25/00;

(Continued)

(56) **References Cited**

U.S. PATENT DOCUMENTS

D434,384 S * 11/2000 Hwang D13/147
D463,371 S * 9/2002 Lee D13/147

(Continued)

OTHER PUBLICATIONS

Luo, "Electrical Connector Housing", U.S. Appl. No. 29/556,754, filed Mar. 3, 2016.

Primary Examiner — Angela J Lee

Assistant Examiner — Shawn T Gingrich

(74) *Attorney, Agent, or Firm* — Keating & Bennett, LLP

(57) **CLAIM**

The ornamental design for electrical connector housing, as shown and described.

DESCRIPTION

FIG. 1 is a top, front, and right side perspective view of an electrical connector housing for a two-by-ten contact array showing my new design;

FIG. 2 is a bottom, back, and right side perspective view thereof;

FIG. 3 is a top, front, and left side perspective view thereof;

FIG. 4 is a front view thereof;

FIG. 5 is a back view thereof;

FIG. 6 is a left side view thereof;

FIG. 7 is a right side view thereof;

FIG. 8 is a top view thereof;

FIG. 9 is a bottom plan thereof;

FIG. 10 is bottom and left side perspective view thereof;

FIG. 11 is a top, front, and right side perspective view of an electrical connector housing for a two-by-twenty contact array showing my new design;

FIG. 12 is a bottom, back, and right side perspective view thereof;

FIG. 13 is a top, front, and left side perspective view thereof;

FIG. 14 is a front view thereof;

FIG. 15 is a back view thereof;

FIG. 16 is a left side view thereof;

FIG. 17 is a right side view thereof;

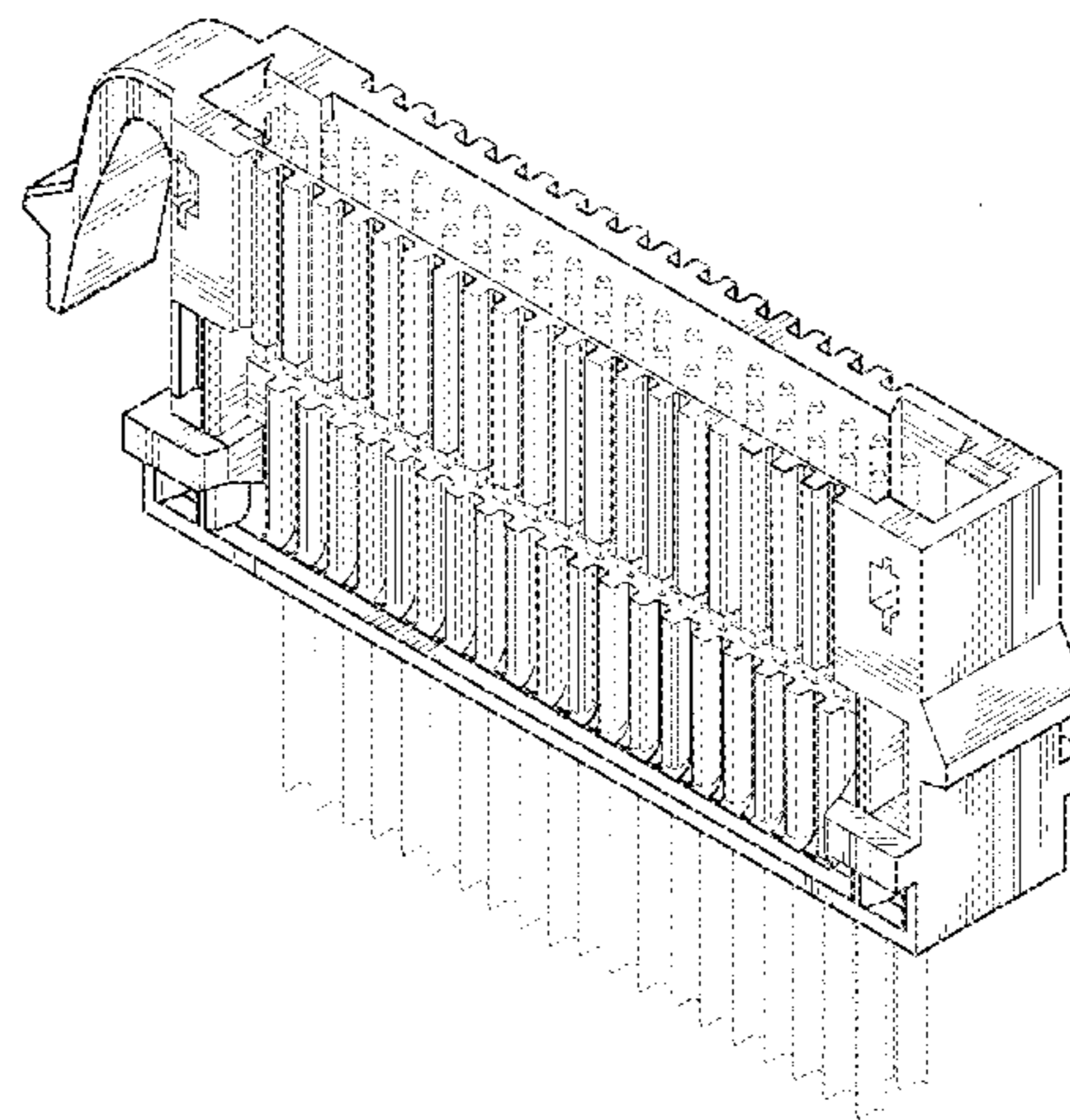
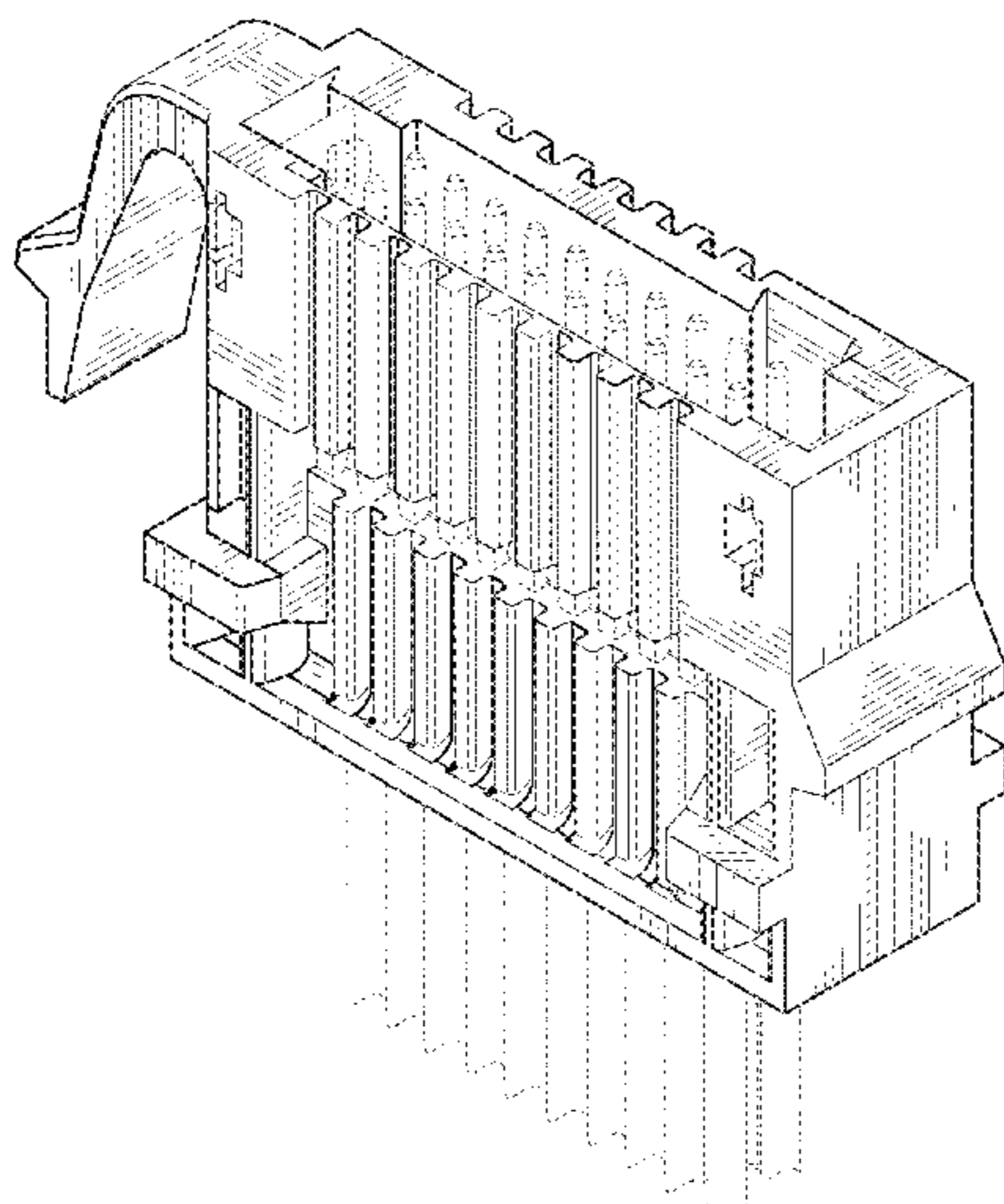
FIG. 18 is a top view thereof;

FIG. 19 is a bottom plan thereof; and,

FIG. 20 is bottom and left side perspective view thereof.

The broken lines in the drawing illustrate portions of the electrical connector housing that form no part of the claimed design. The unshaded surfaces form no part of the claimed design.

1 Claim, 20 Drawing Sheets



(58) **Field of Classification Search**

CPC H01R 27/00; H01R 27/02; H01R 29/00;
H01R 31/02; H01R 31/06; H01R 4/00;
H01R 4/02; H01R 4/60; H01R 12/51;
H01R 12/70; H01R 12/71; H01R 12/77;
H01R 13/11; H01R 13/17; H01R 13/24;
H01R 13/28; H01R 13/405; H01R
13/432; H01R 13/504; H01R 13/52;
H01R 13/6585; H01R 13/6586; H01R
13/66; H01R 24/00; H01R 24/28; H01R
24/60; H01R 43/02; H01R 43/16; H01R
43/24

See application file for complete search history.

(56) **References Cited**

U.S. PATENT DOCUMENTS

| | | | | | | |
|----------|---|---|---------|----------|-------|---------|
| D526,277 | S | * | 8/2006 | Wu | | D13/147 |
| D559,786 | S | * | 1/2008 | Kudo | | D13/147 |
| D560,169 | S | * | 1/2008 | Kudo | | D13/147 |
| D704,648 | S | * | 5/2014 | Grant | | D13/147 |
| D706,724 | S | * | 6/2014 | McCartin | | D13/147 |
| D708,580 | S | * | 7/2014 | McCartin | | D13/147 |
| D710,310 | S | * | 8/2014 | McCartin | | D13/147 |
| D812,572 | S | * | 3/2018 | Fontaine | | D13/154 |
| D836,557 | S | * | 12/2018 | Luo | | D13/147 |

* cited by examiner

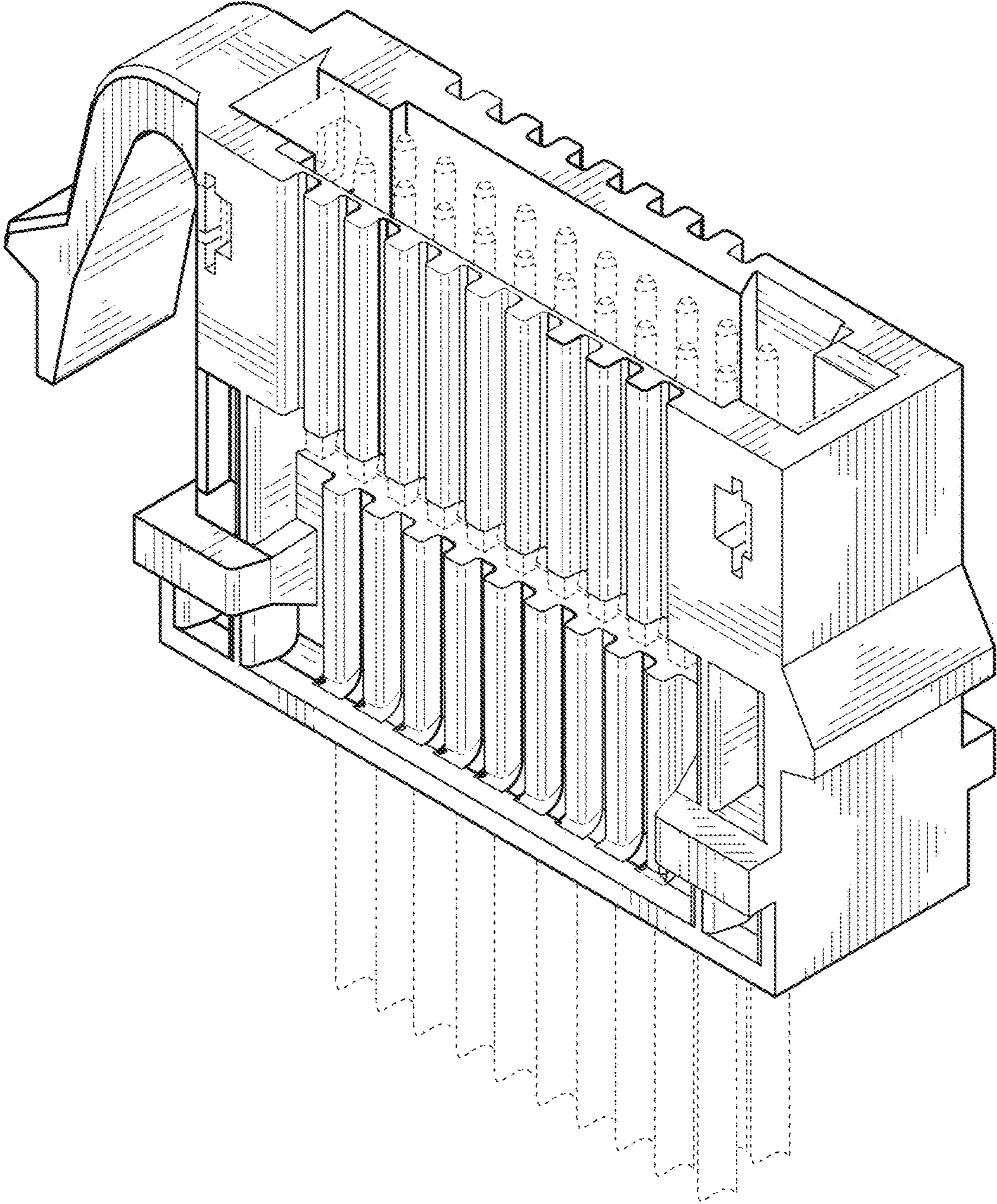


FIG. 1

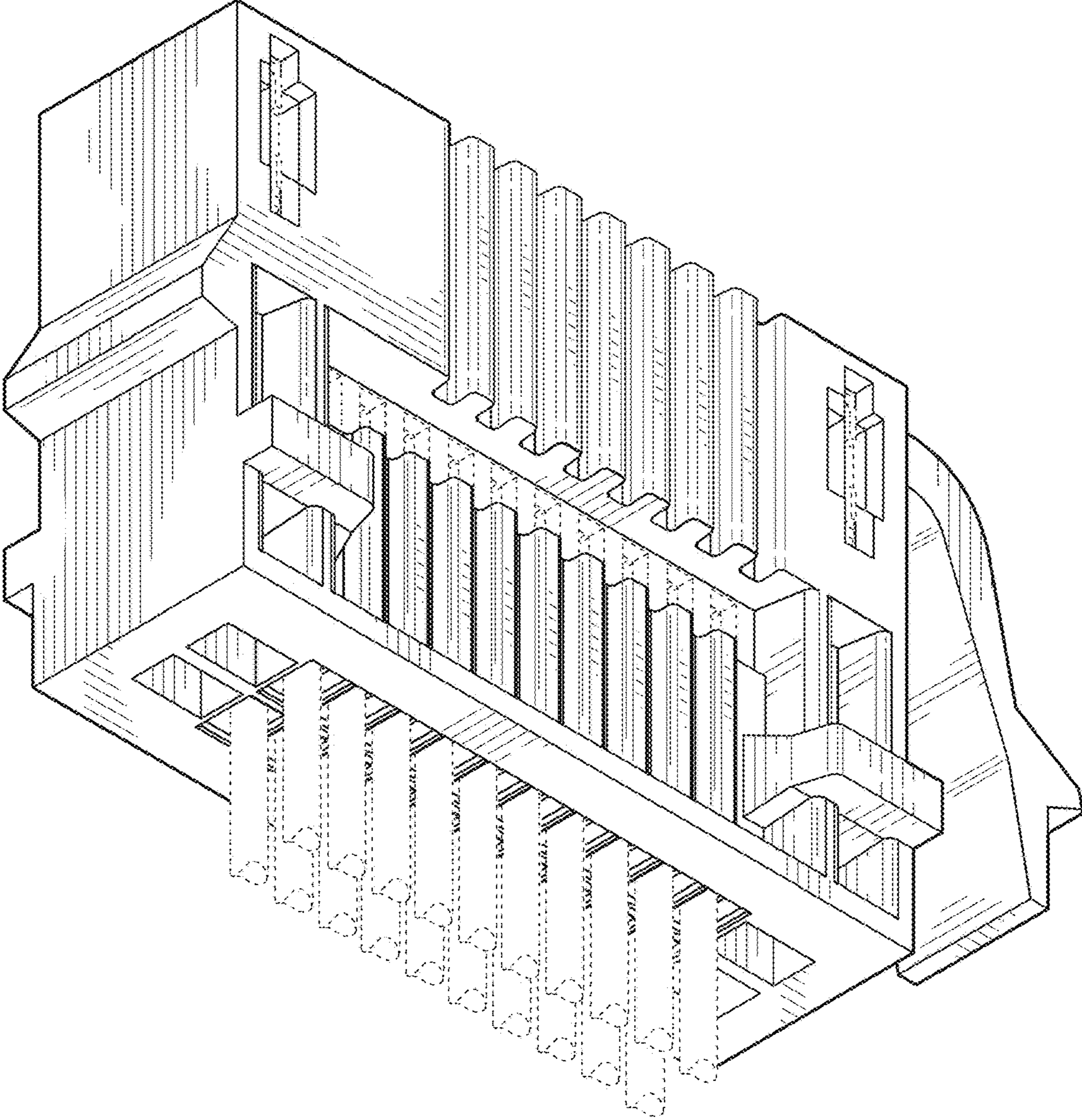


FIG. 2

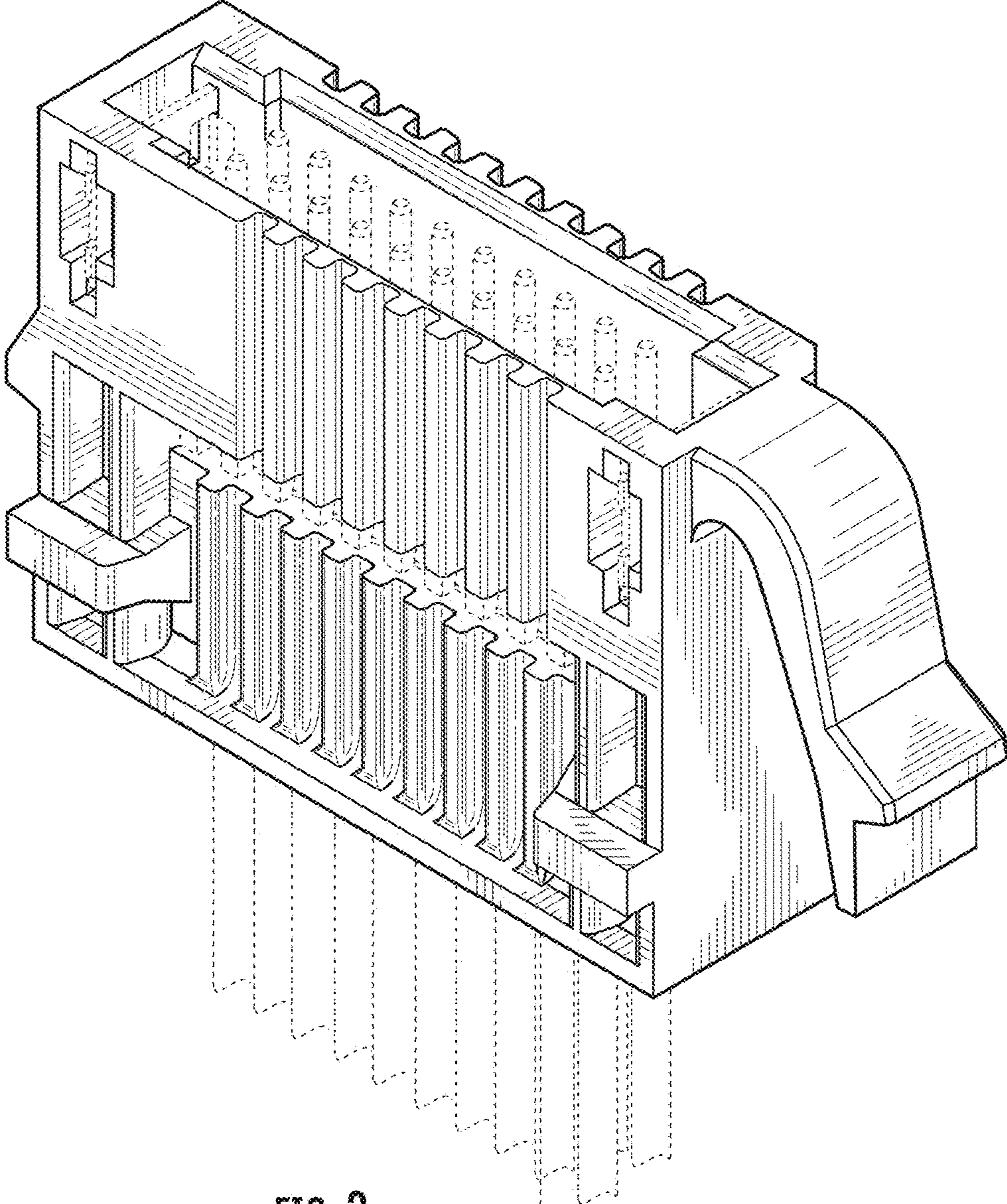


FIG. 3

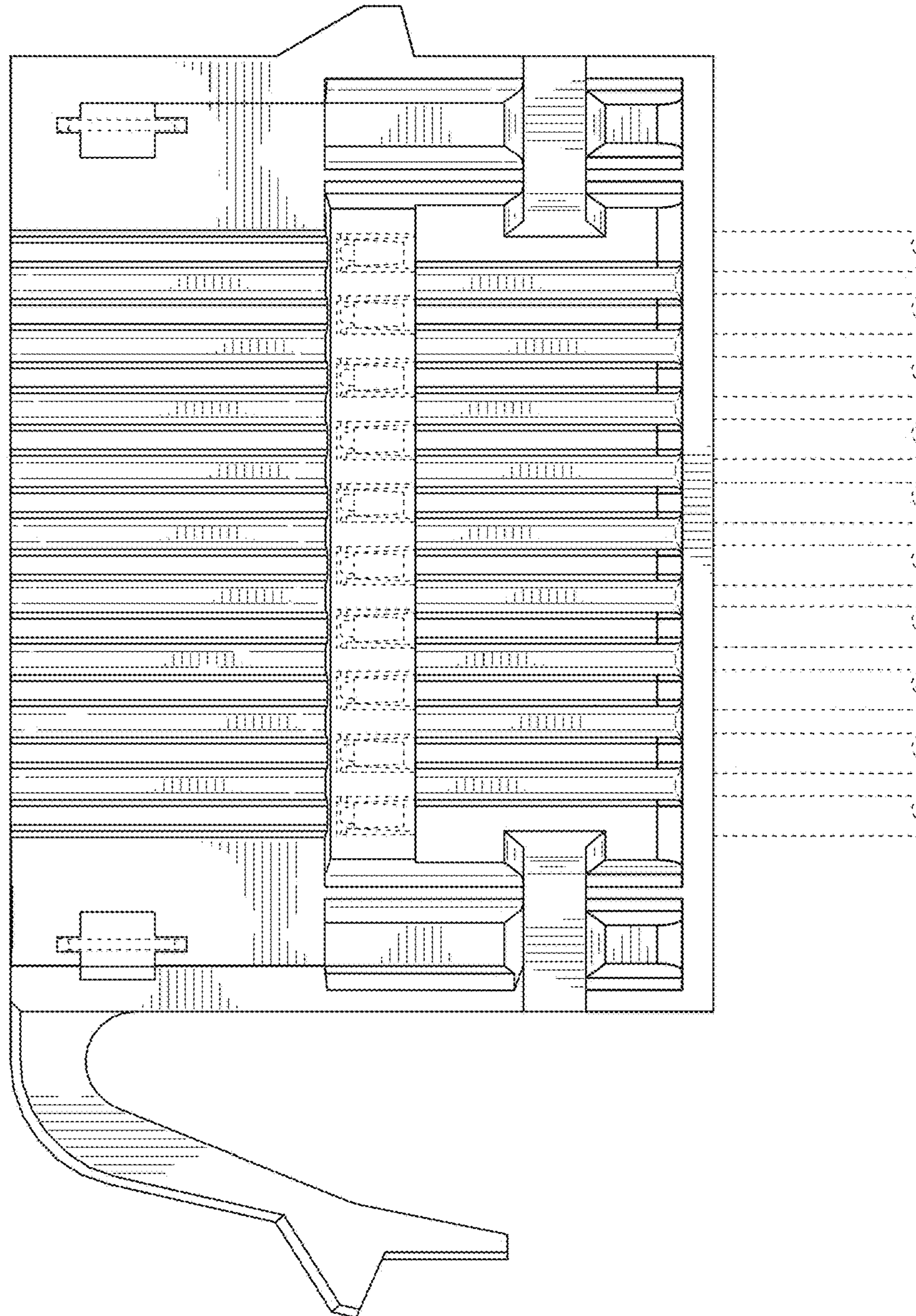


FIG. 4

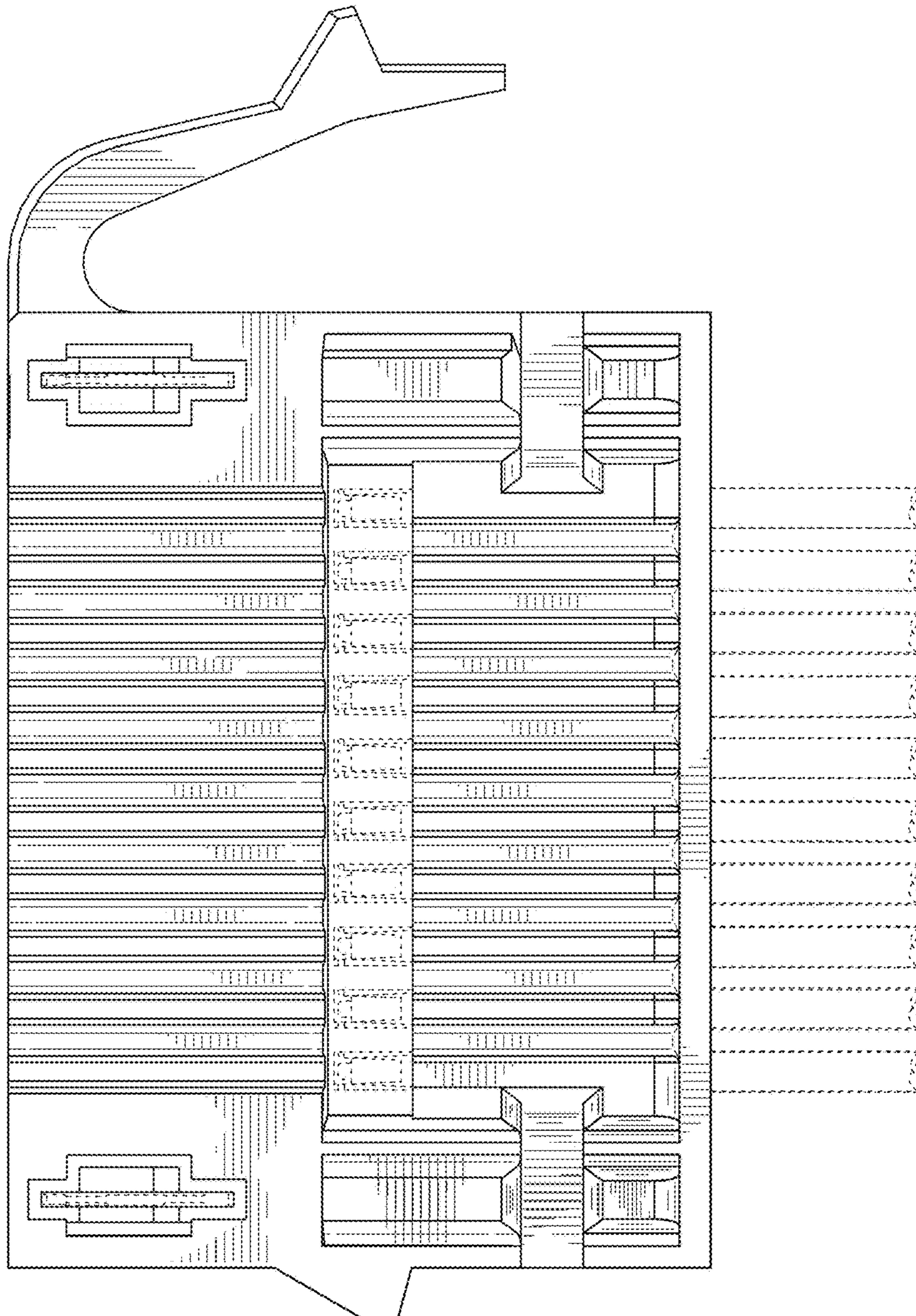


FIG. 5

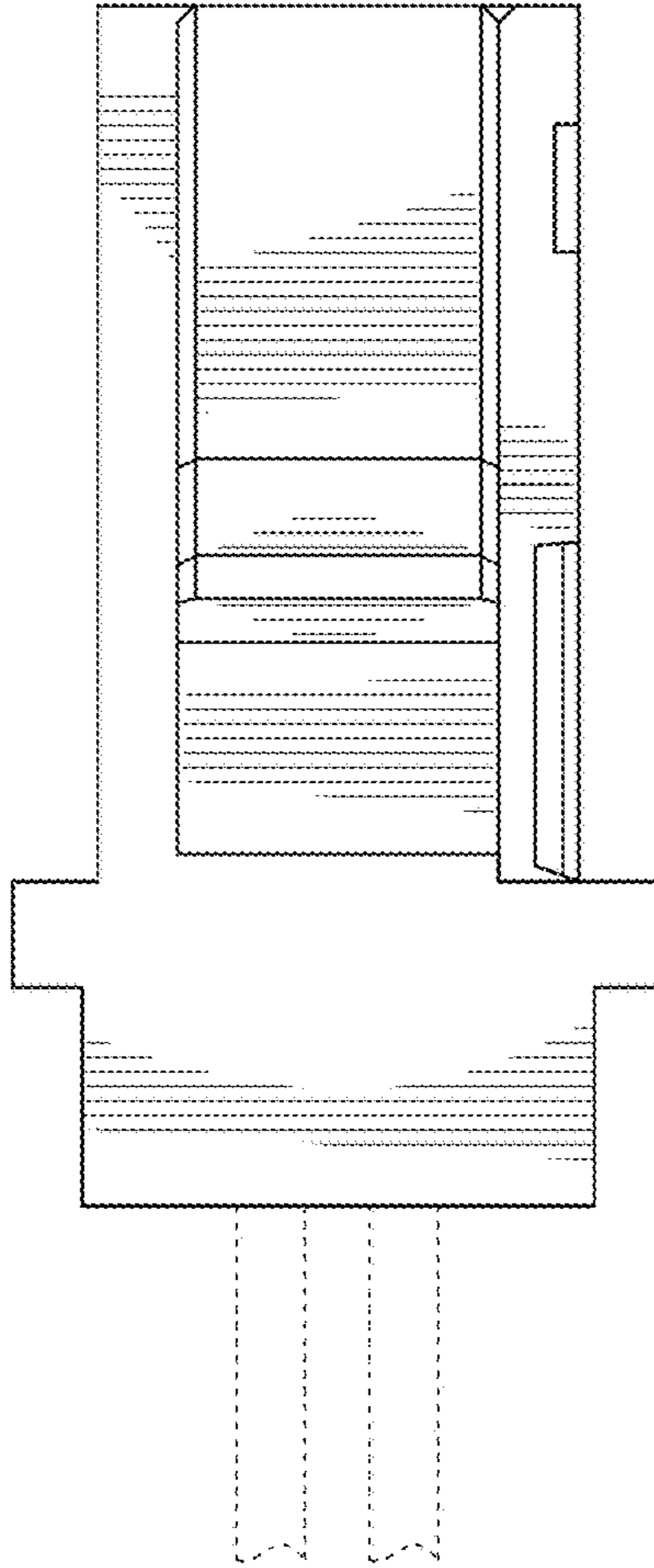


FIG. 6

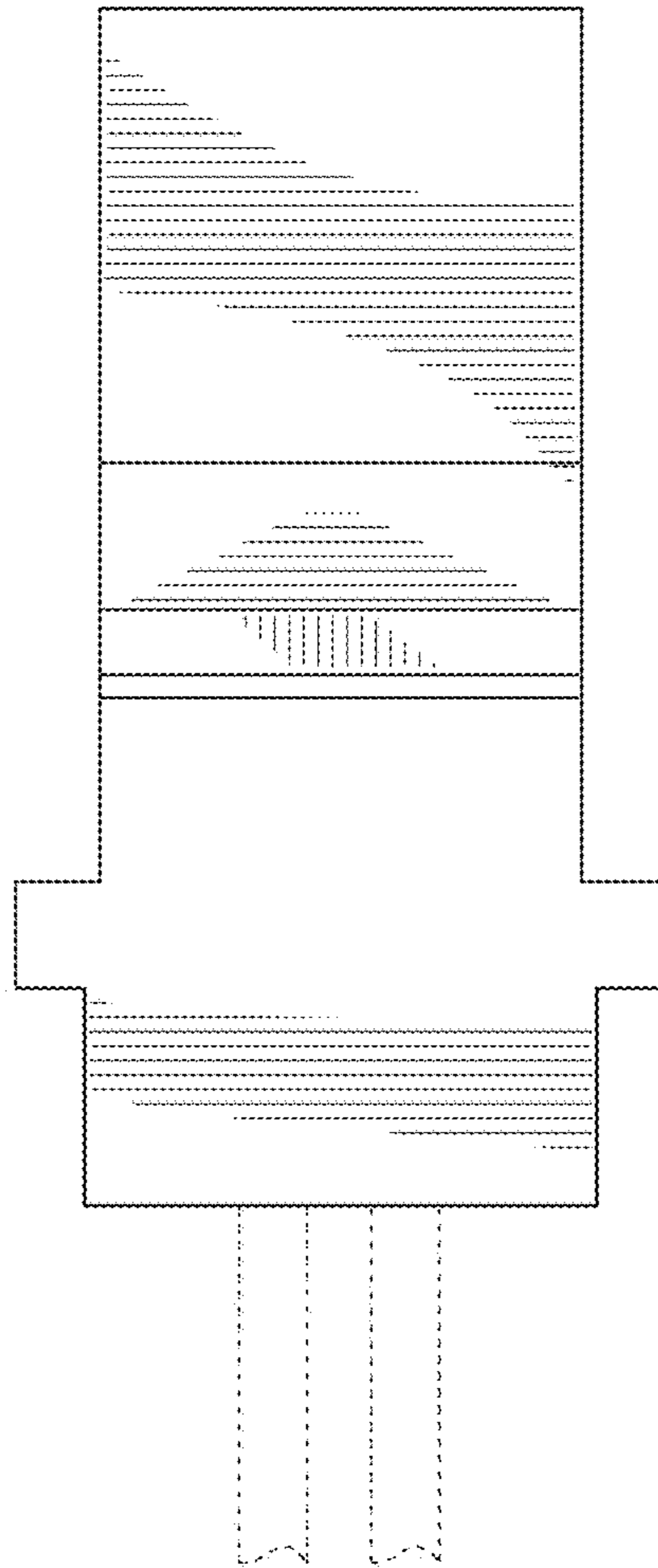


FIG. 7

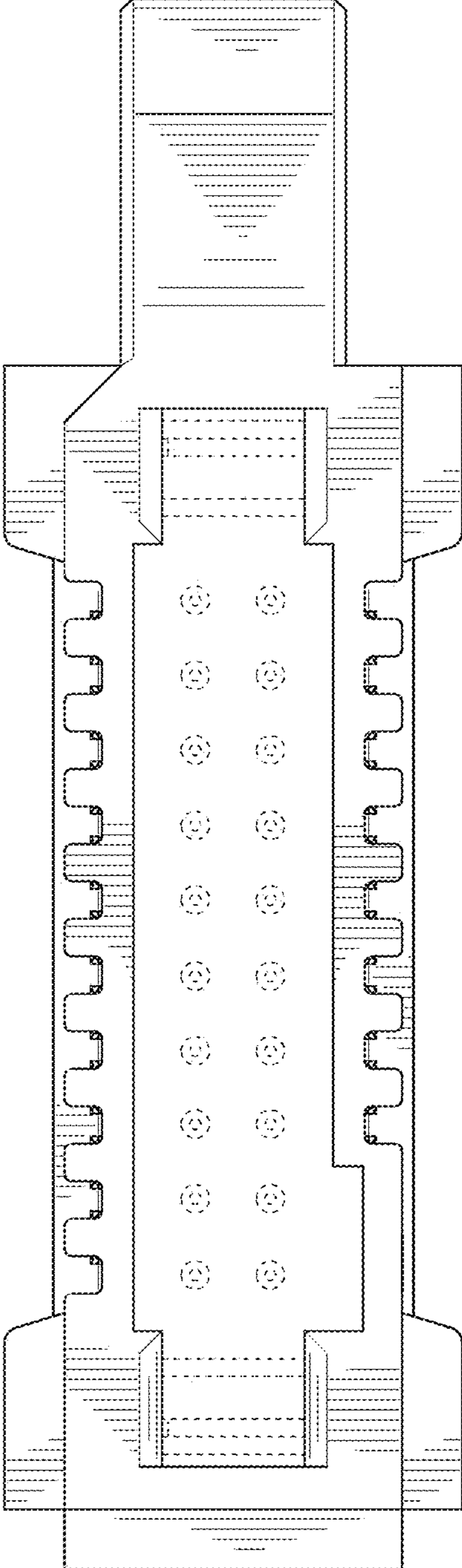


FIG. 8

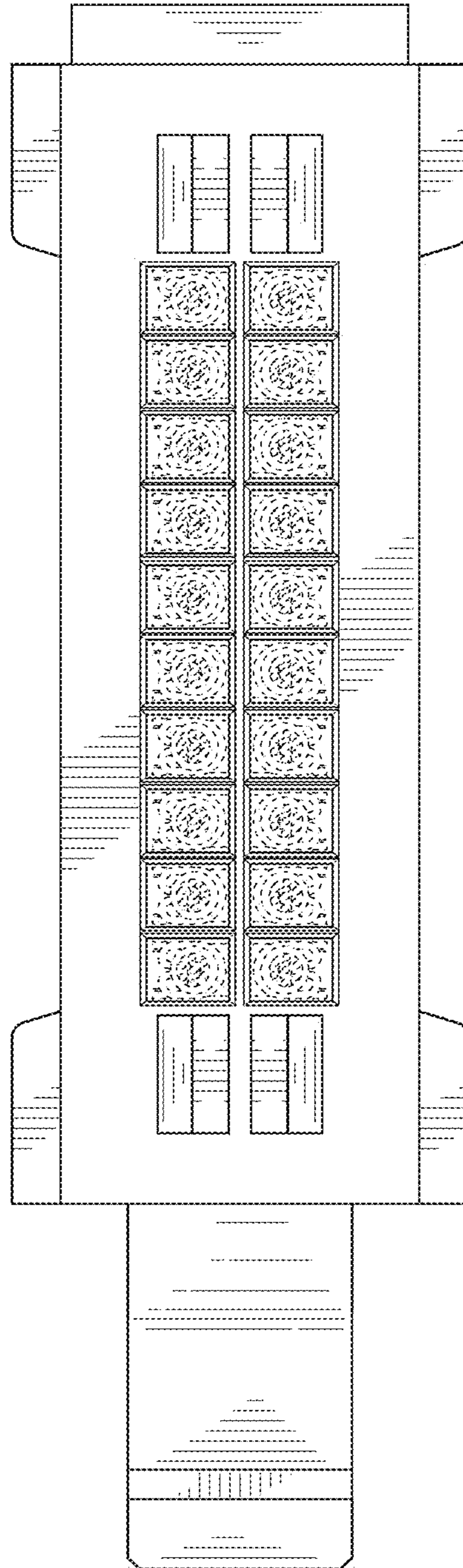


FIG. 9

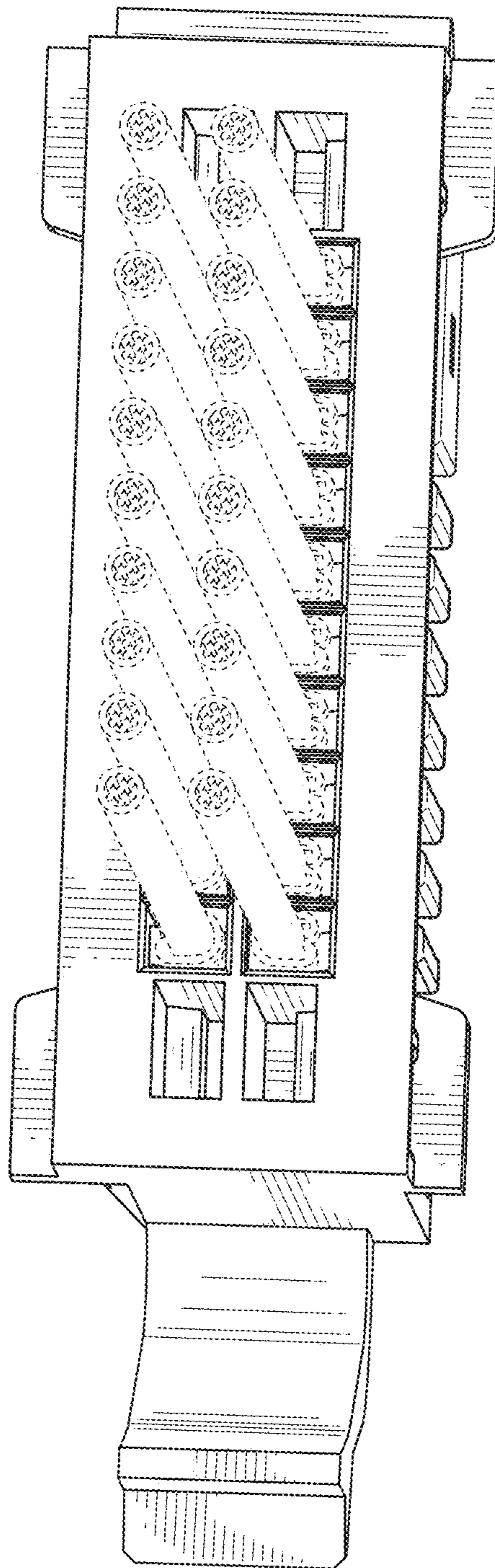


FIG. 10

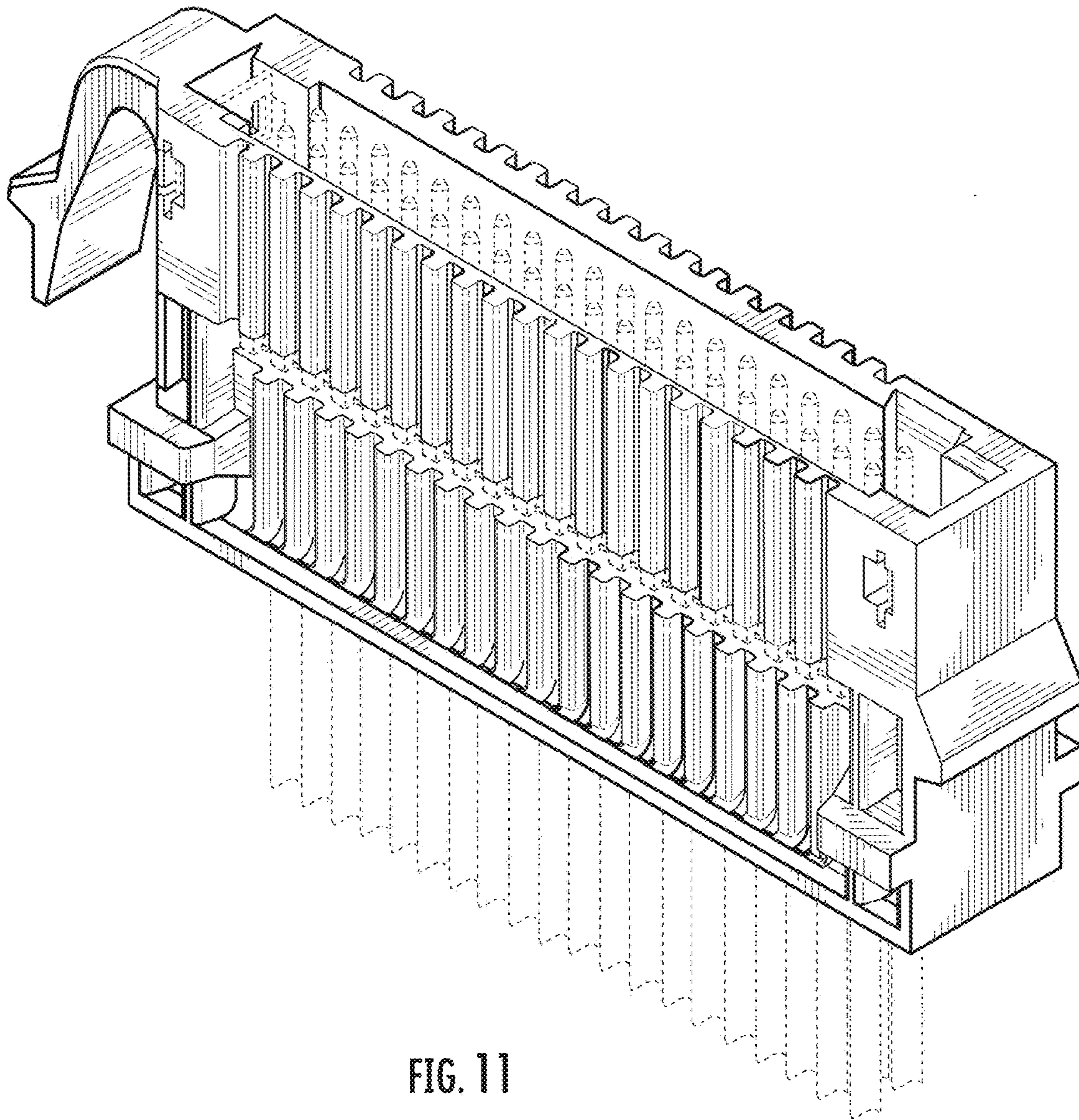


FIG. 11

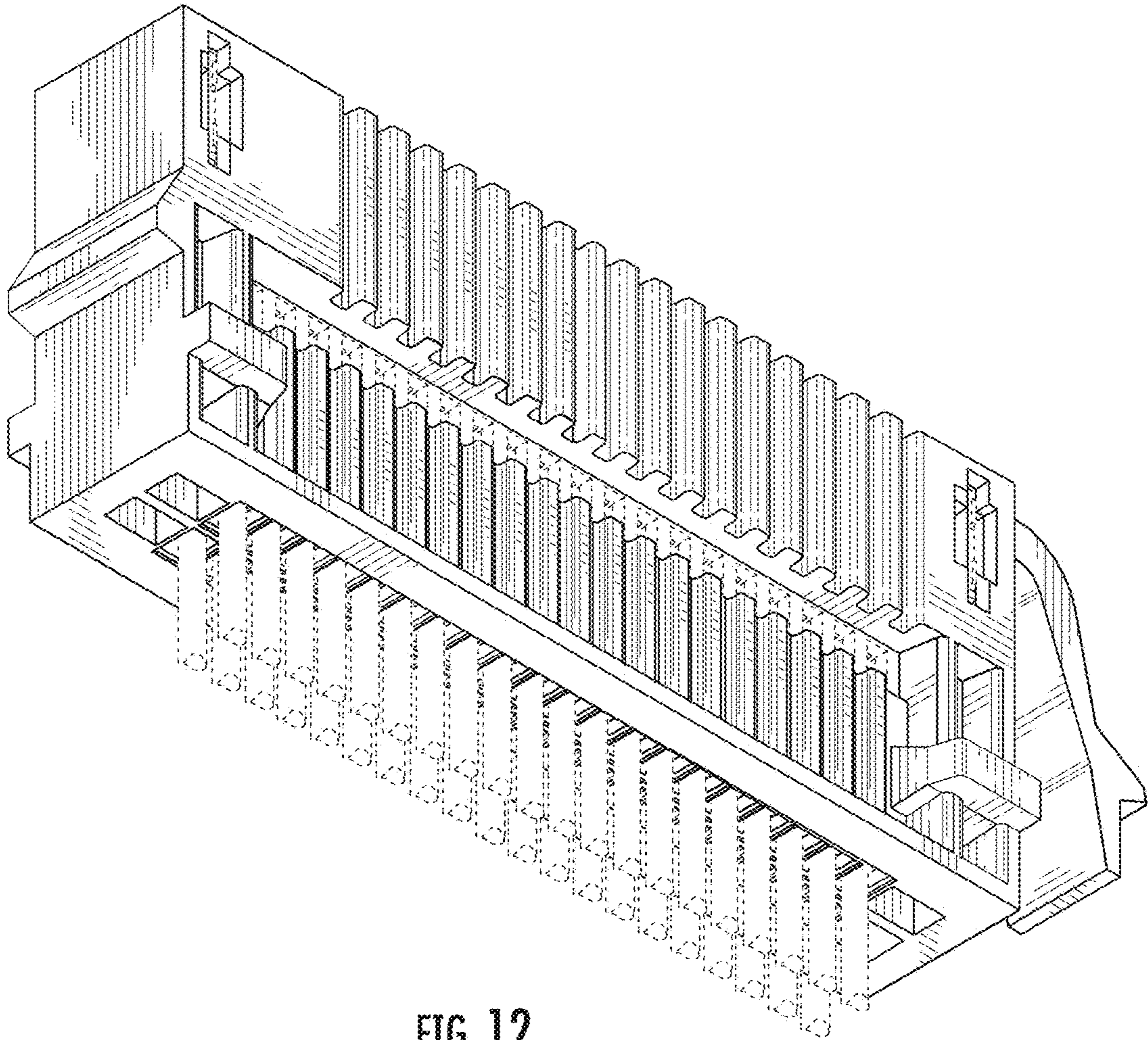


FIG. 12

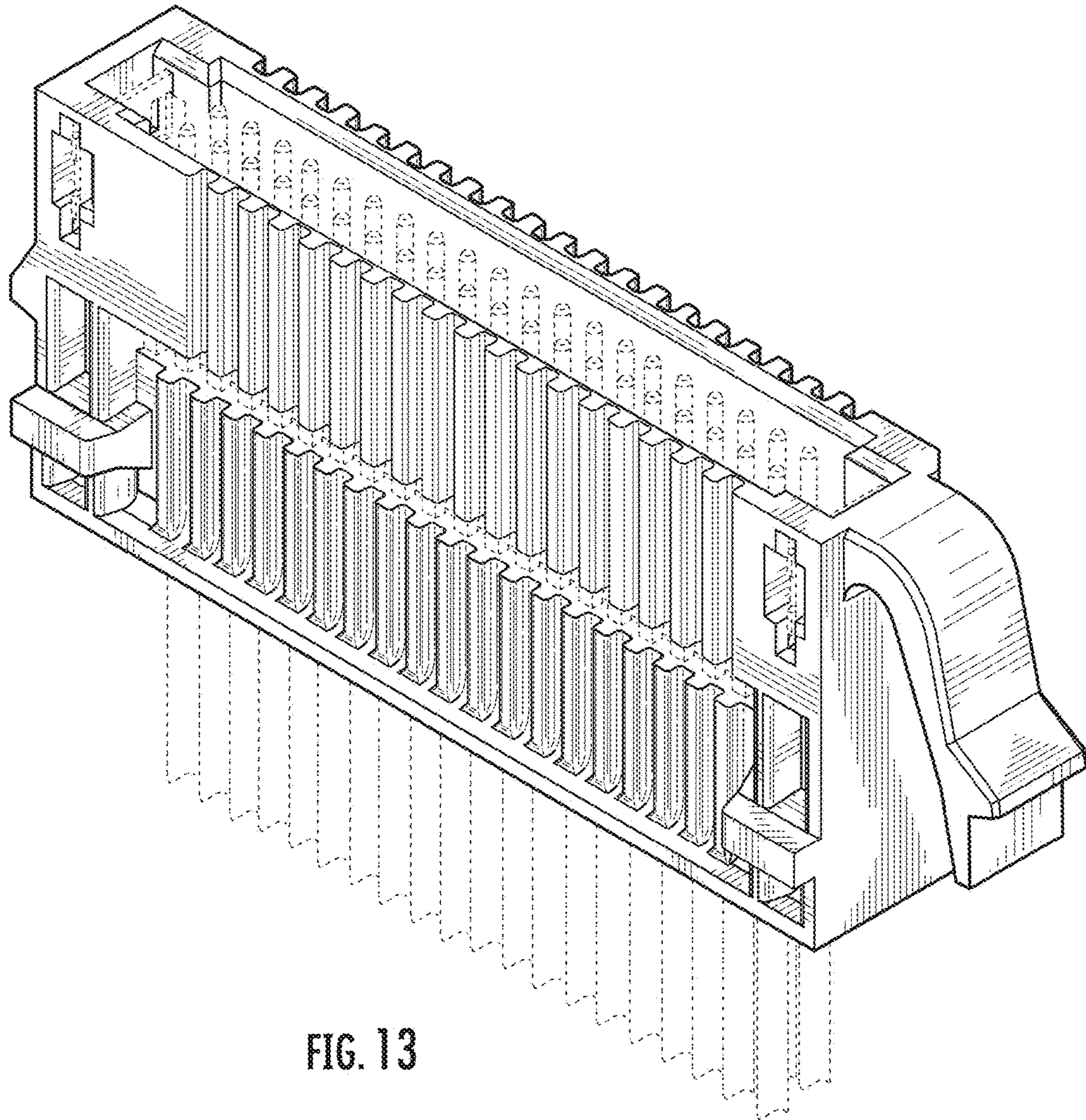


FIG. 13

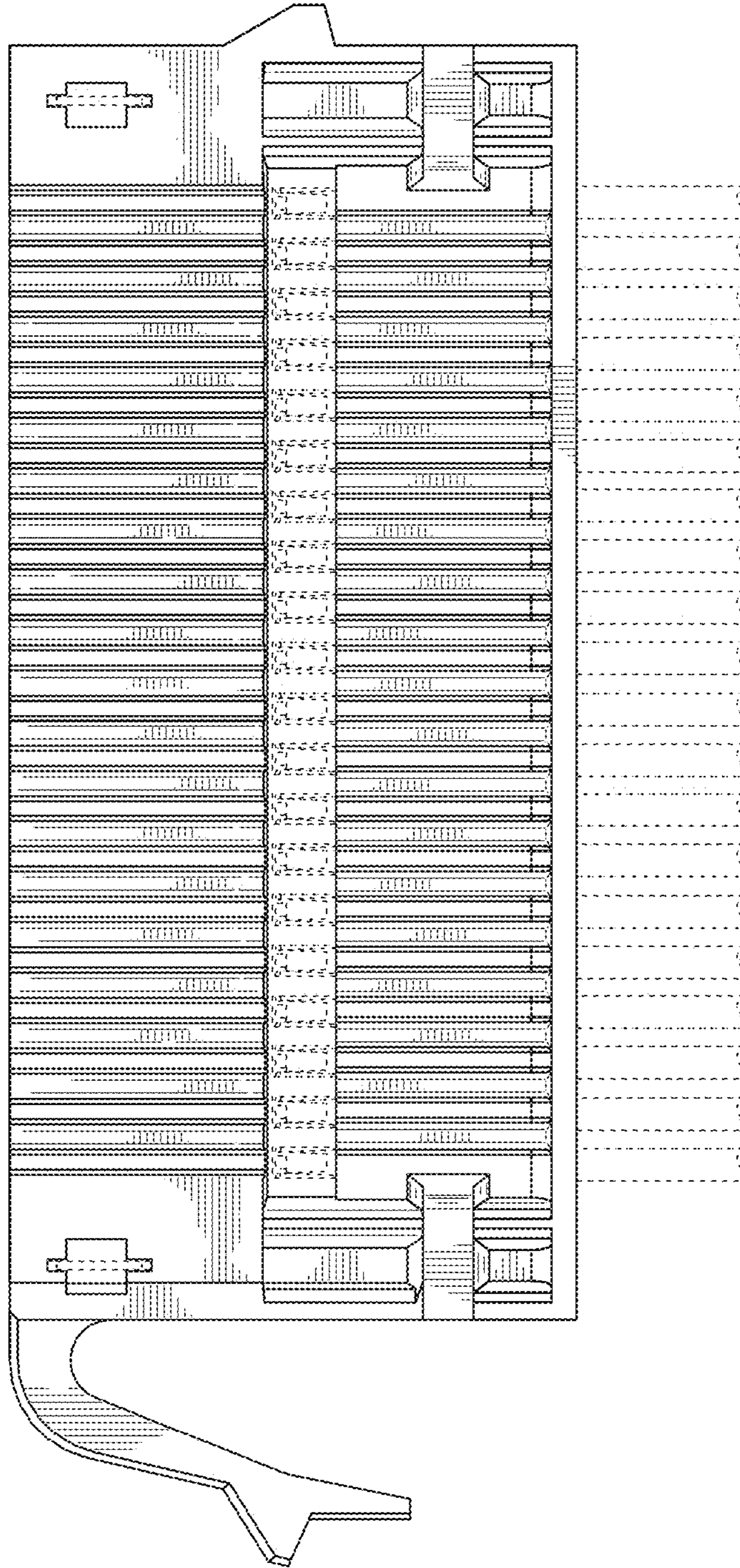


FIG. 14

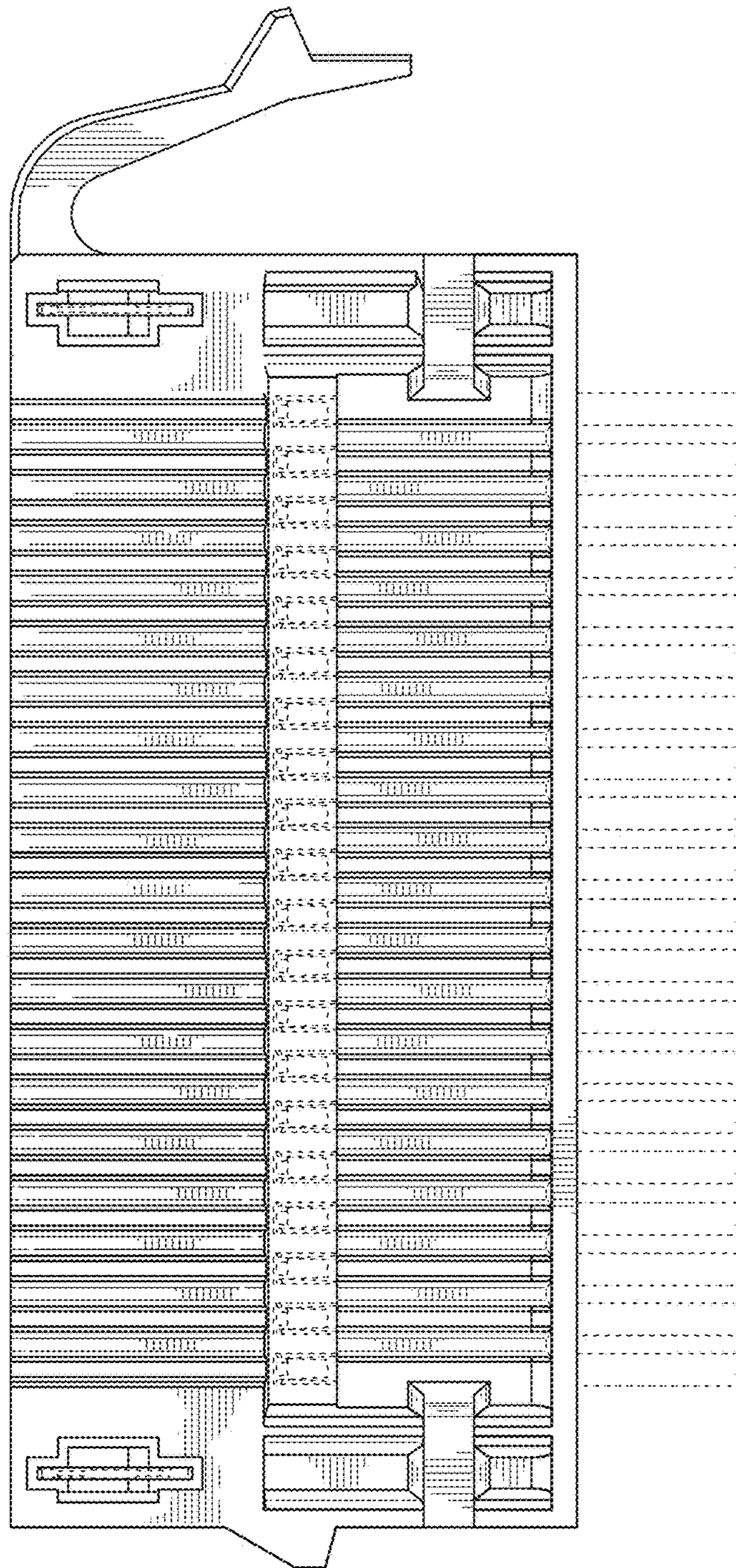


FIG. 15

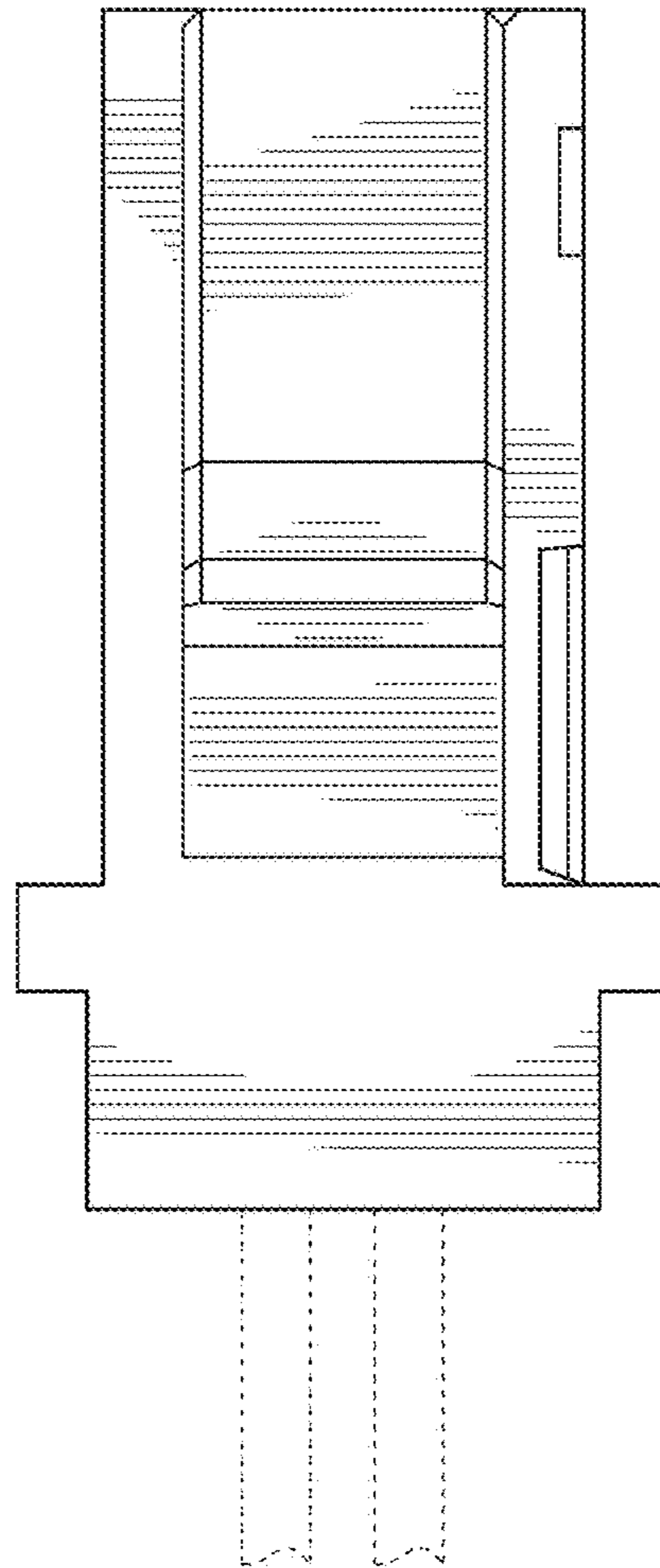


FIG. 16

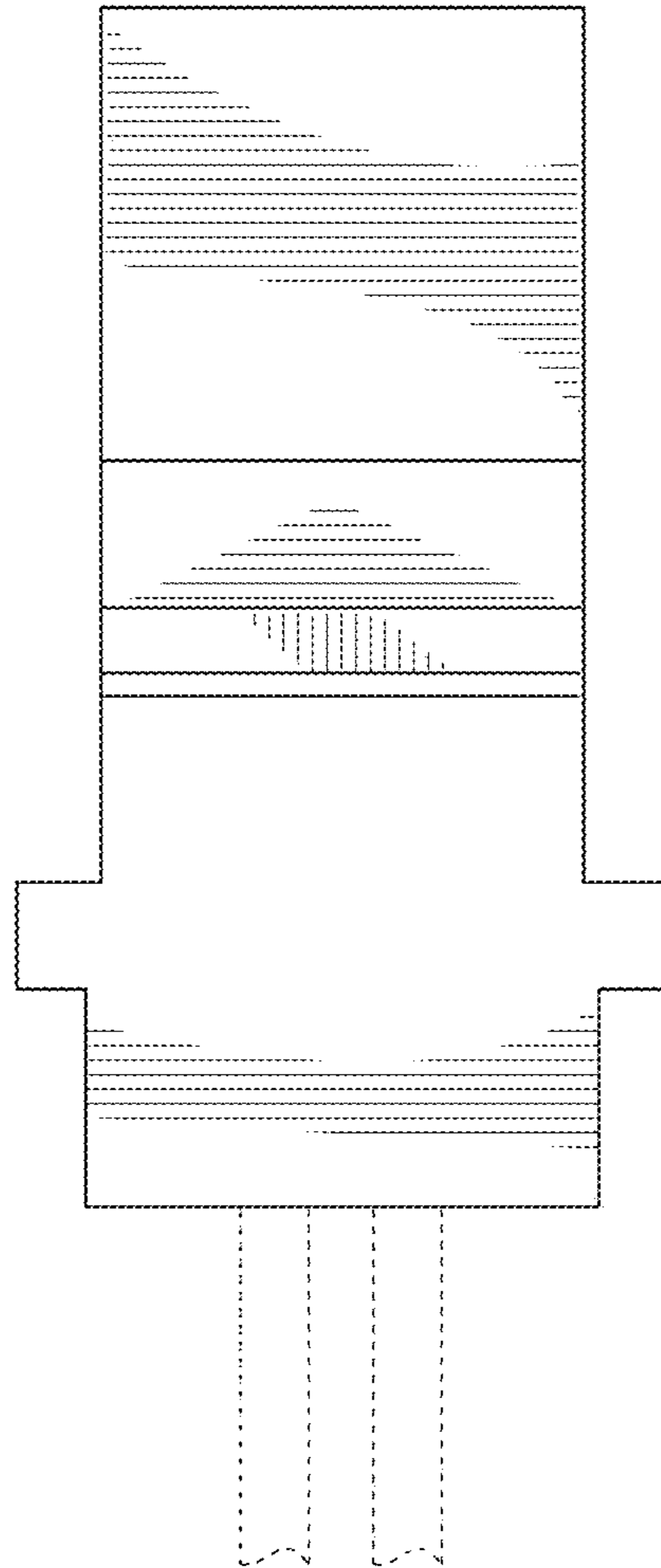


FIG. 17

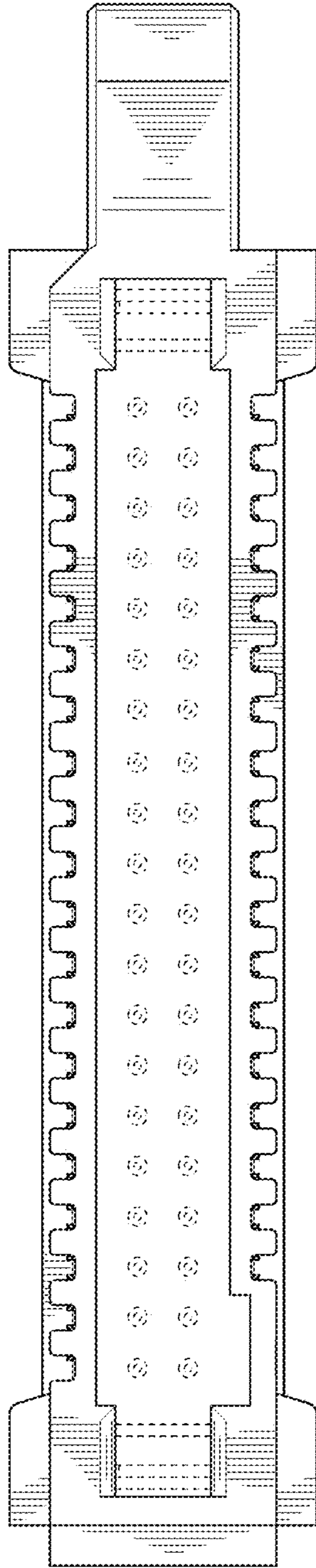


FIG. 18

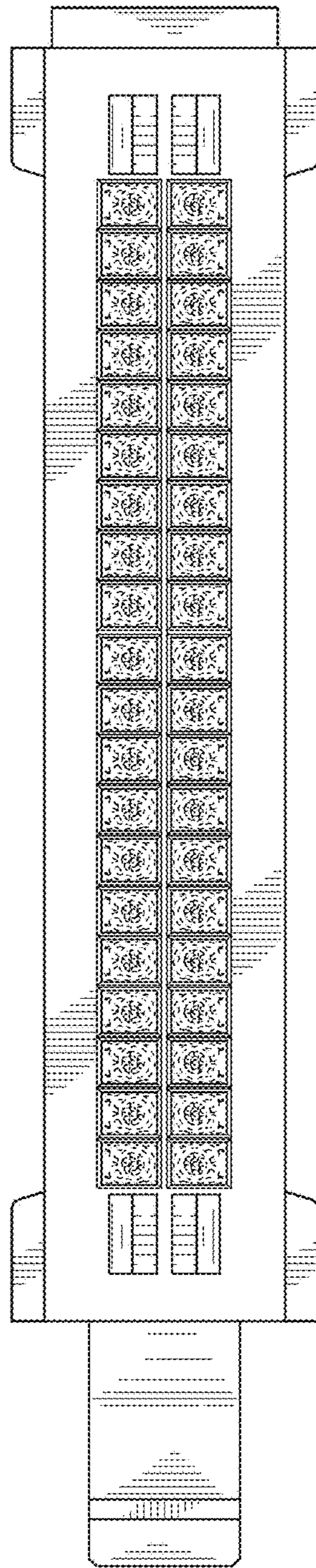


FIG. 19

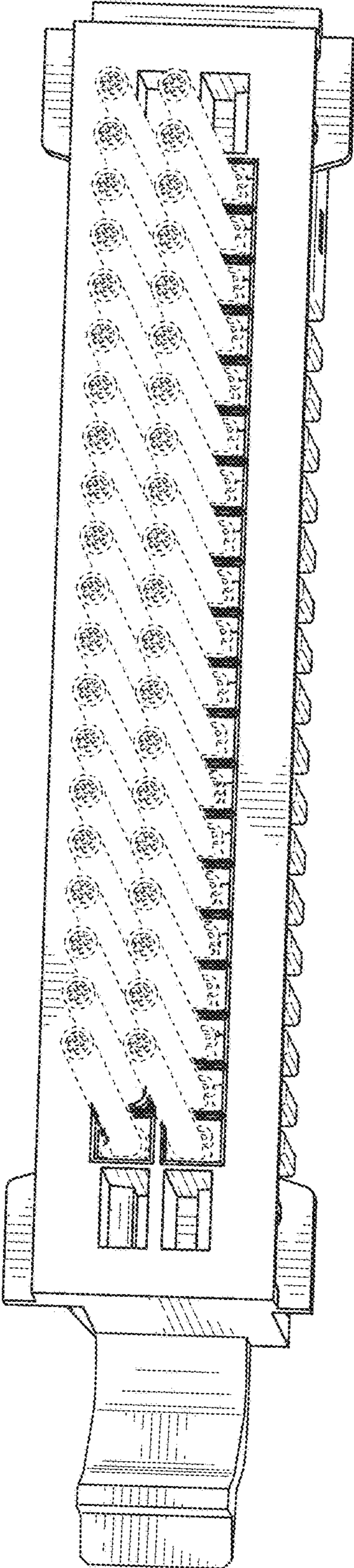


FIG. 20