

US00D849689S

(12) **United States Design Patent**  
**Gregori**

(10) **Patent No.:** **US D849,689 S**

(45) **Date of Patent:** **\*\* May 28, 2019**

(54) **CONNECTOR HOUSING**

(71) Applicant: **Molex, LLC**, Lisle, IL (US)

(72) Inventor: **Timothy R. Gregori**, New Lenox, IL (US)

(73) Assignee: **Molex, LLC**, Lisle, IL (US)

(\*\*) Term: **15 Years**

(21) Appl. No.: **29/638,779**

(22) Filed: **Feb. 28, 2018**

(51) **LOC (11) Cl.** ..... **13-03**

(52) **U.S. Cl.**  
USPC ..... **D13/147**

(58) **Field of Classification Search**  
USPC ..... D13/133, 146, 147, 154, 184, 199  
(Continued)

(56) **References Cited**

**U.S. PATENT DOCUMENTS**

D324,027 S \* 2/1992 Sueyoshi ..... D13/133  
D596,125 S \* 7/2009 Norin ..... D13/133  
(Continued)

*Primary Examiner* — Daniel D Bui

(74) *Attorney, Agent, or Firm* — Banner & Witcoff, Ltd.

(57) **CLAIM**

The ornamental design for a connector housing, as shown and described.

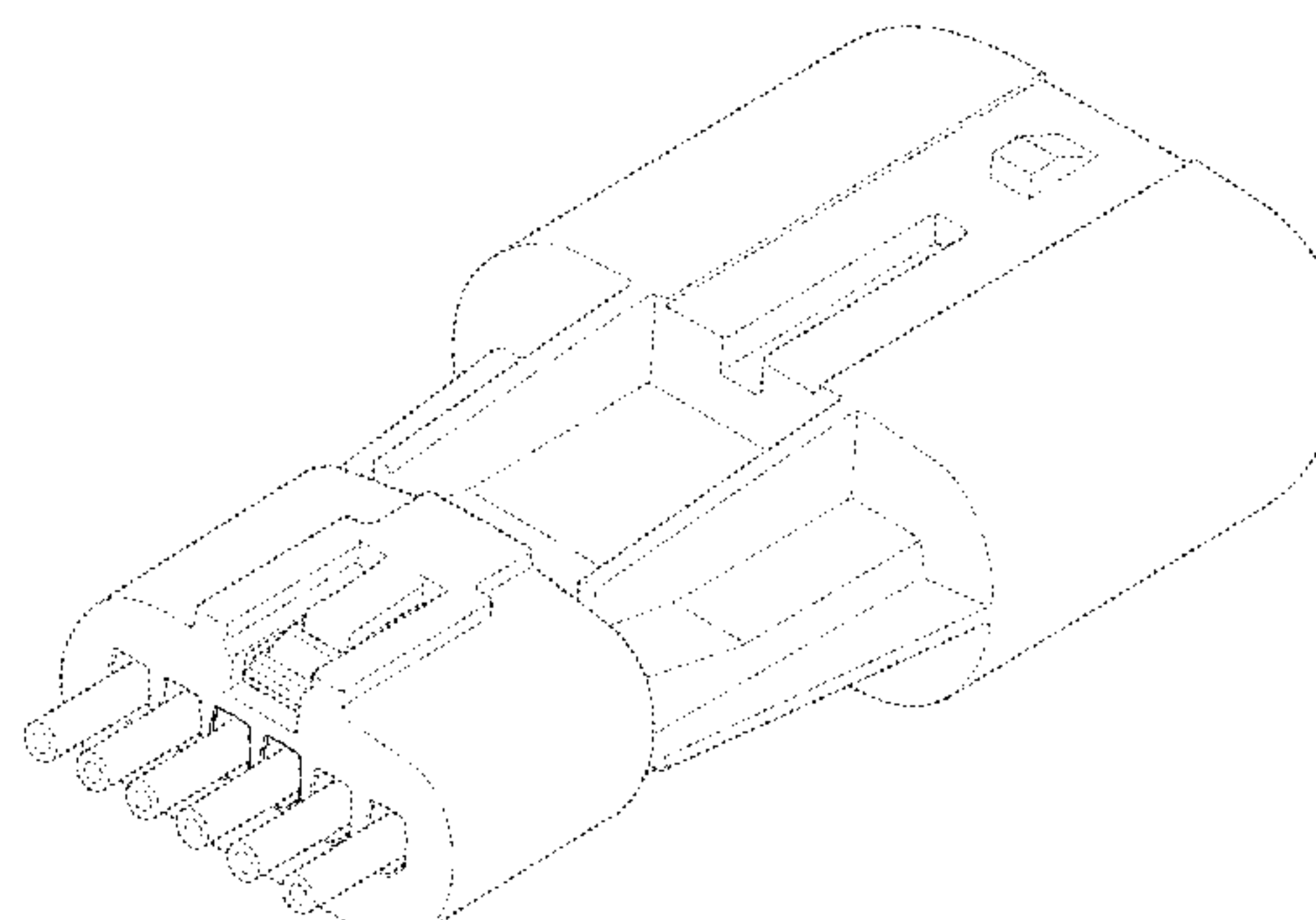
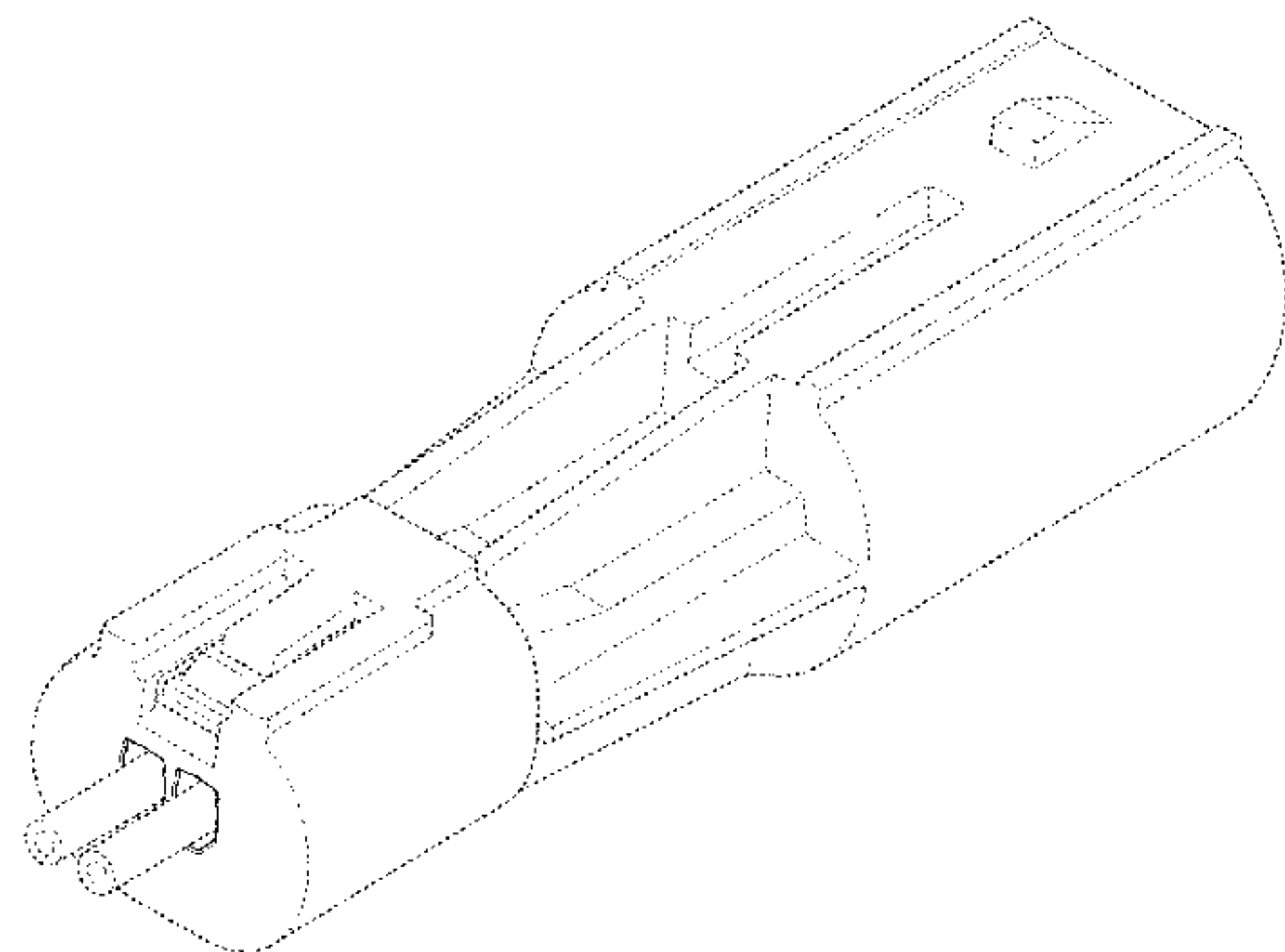
**DESCRIPTION**

FIG. 1 is a front perspective view of the first embodiment of a connector housing showing my new design;  
FIG. 2 is a front elevation view thereof;  
FIG. 3 is a rear elevation view thereof;

FIG. 4 is a left side elevation view thereof;  
FIG. 5 is a right side elevation view thereof;  
FIG. 6 is a top plan view thereof;  
FIG. 7 is a bottom plan view thereof;  
FIG. 8 is a front perspective view of the second embodiment of a connector housing showing my new design;  
FIG. 9 is a front elevation view thereof;  
FIG. 10 is a rear elevation view thereof;  
FIG. 11 is a left side elevation view thereof;  
FIG. 12 is a right side elevation view thereof;  
FIG. 13 is a top plan view thereof;  
FIG. 14 is a bottom plan view thereof;  
FIG. 15 is a front perspective view of the third embodiment of a connector housing showing my new design;  
FIG. 16 is a front elevation view thereof;  
FIG. 17 is a rear elevation view thereof;  
FIG. 18 is a left side elevation view thereof;  
FIG. 19 is a right side elevation view thereof;  
FIG. 20 is a top plan view thereof;  
FIG. 21 is a bottom plan view thereof;  
FIG. 22 is a front perspective view of the fourth embodiment of a connector housing showing my new design;  
FIG. 23 is a front elevation view thereof;  
FIG. 24 is a rear elevation view thereof;  
FIG. 25 is a left side elevation view thereof;  
FIG. 26 is a right side elevation view thereof;  
FIG. 27 is a top plan view thereof;  
FIG. 28 is a bottom plan view thereof;  
FIG. 29 is a front perspective view of the fifth embodiment of a connector housing showing my new design;  
FIG. 30 is a front elevation view thereof;  
FIG. 31 is a rear elevation view thereof;  
FIG. 32 is a left side elevation view thereof;  
FIG. 33 is a right side elevation view thereof;  
FIG. 34 is a top plan view thereof; and,  
FIG. 35 is a bottom plan view thereof.

The broken line in the drawing views represents unclaimed portions of the connector housing and forms no part of the claimed design.

**1 Claim, 35 Drawing Sheets**



(58) **Field of Classification Search**

CPC ..... H01R 13/213; H01R 13/518; H01R  
13/5208; H01R 13/5812; H01R 13/5816;  
H01R 13/582; H01R 13/59; H01R  
13/659; H01R 24/86

See application file for complete search history.

(56) **References Cited**

U.S. PATENT DOCUMENTS

RE42,230 E *	3/2011	Norin .....	D13/133
D680,075 S *	4/2013	Yang .....	D13/133
D699,680 S *	2/2014	Takamoto .....	D13/133
D705,731 S *	5/2014	Zhong .....	D13/133
D726,114 S *	4/2015	Nook .....	D13/133

\* cited by examiner

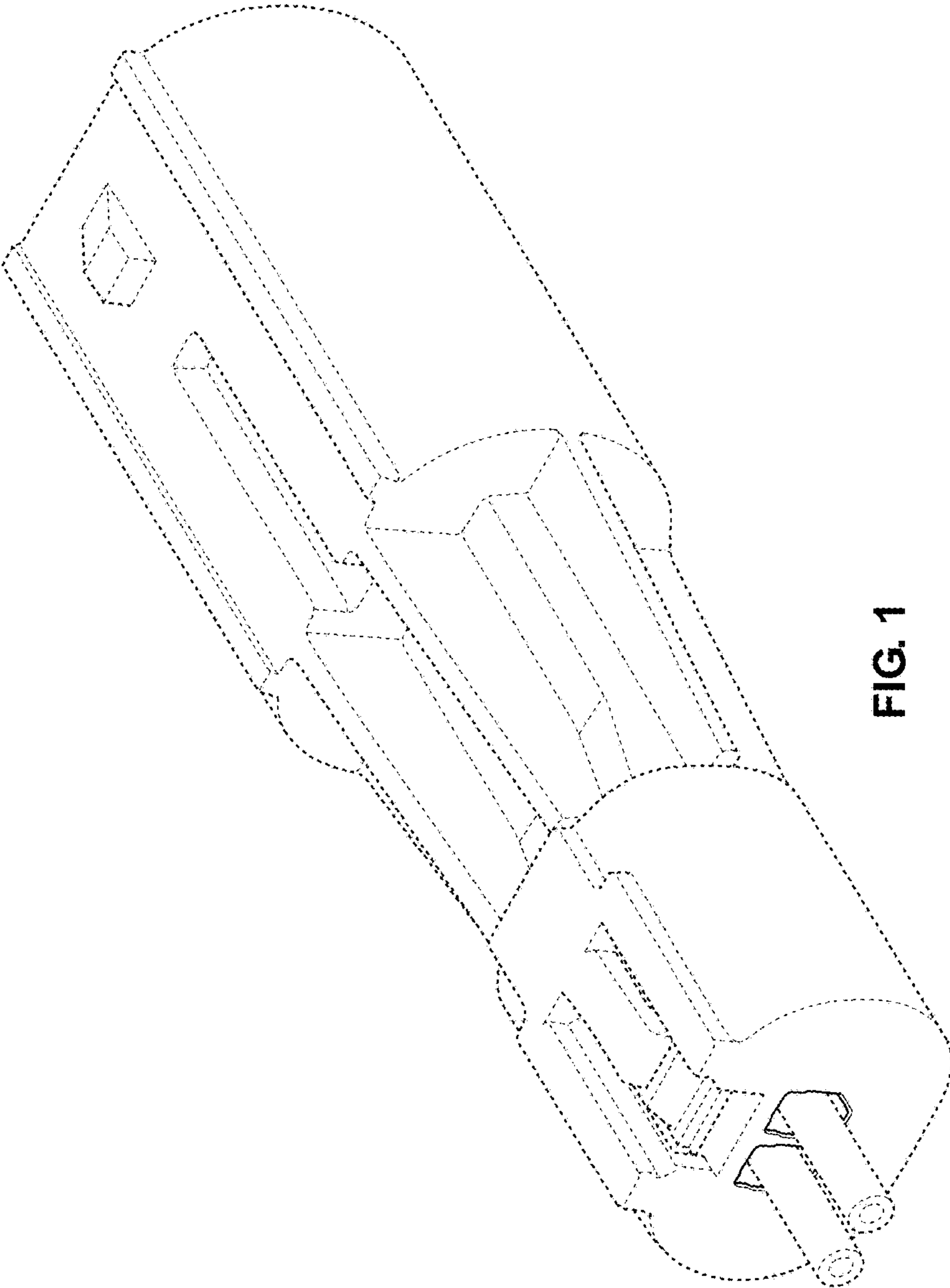


FIG. 1

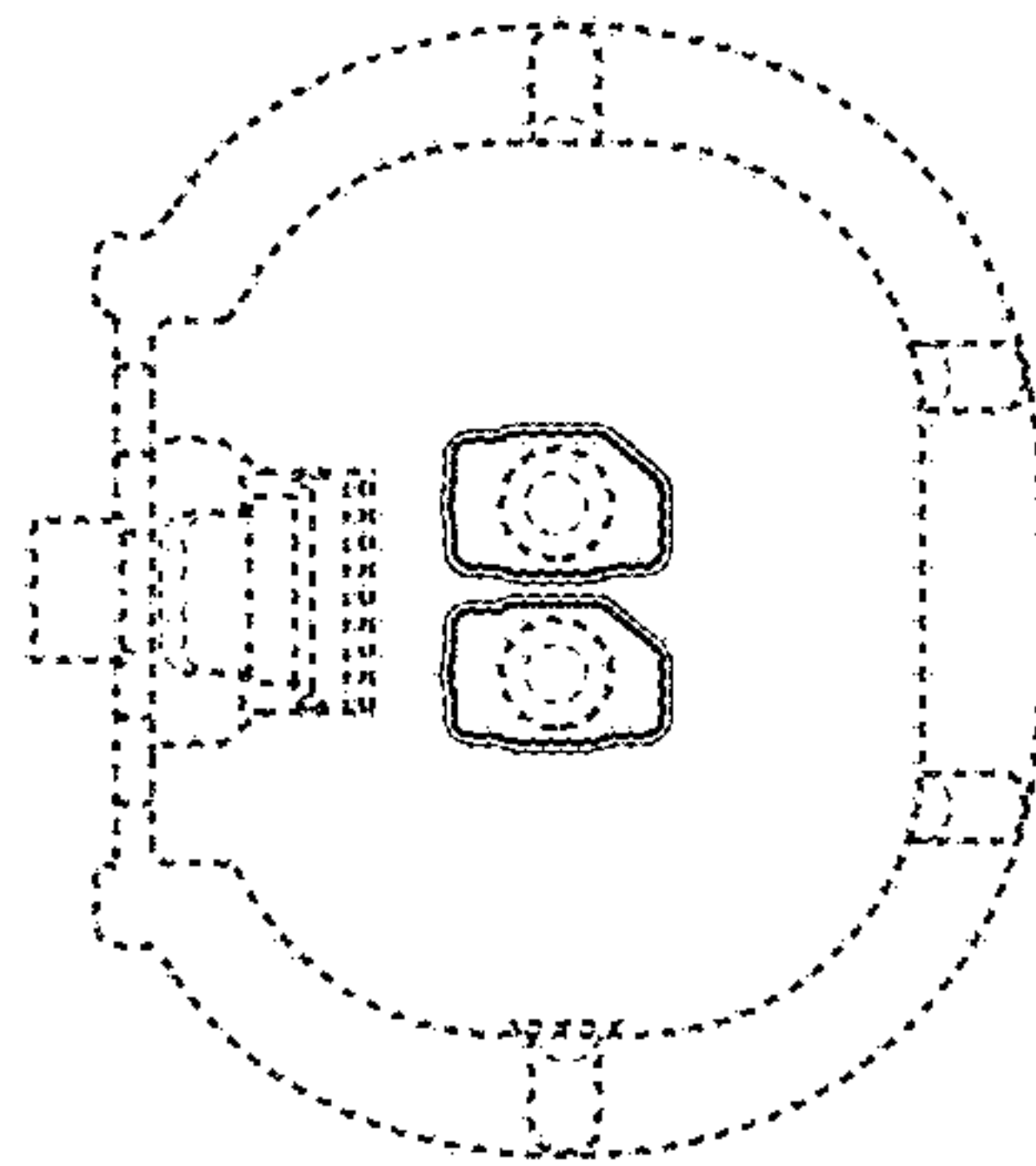


FIG. 2

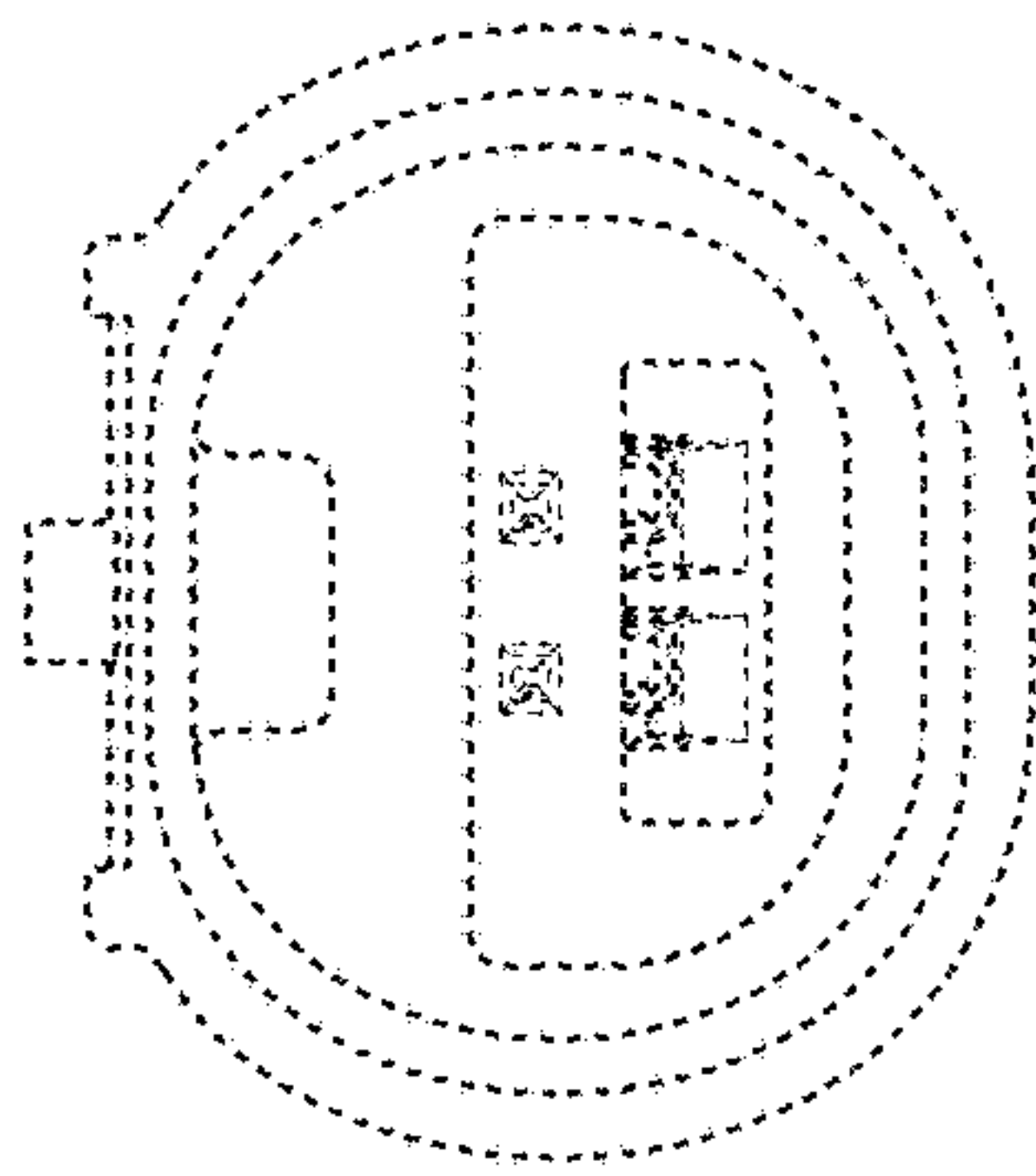


FIG. 3

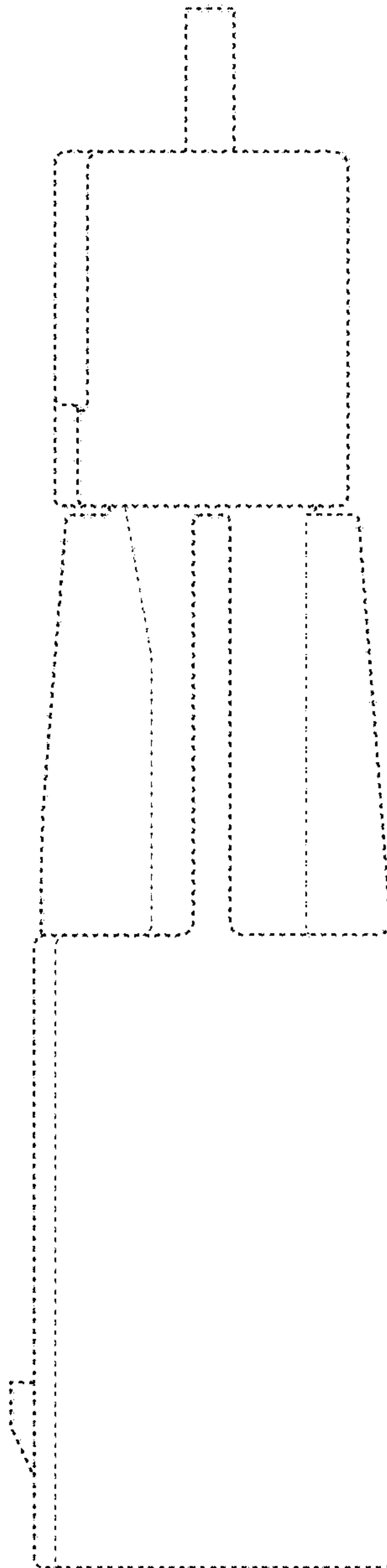


FIG. 4

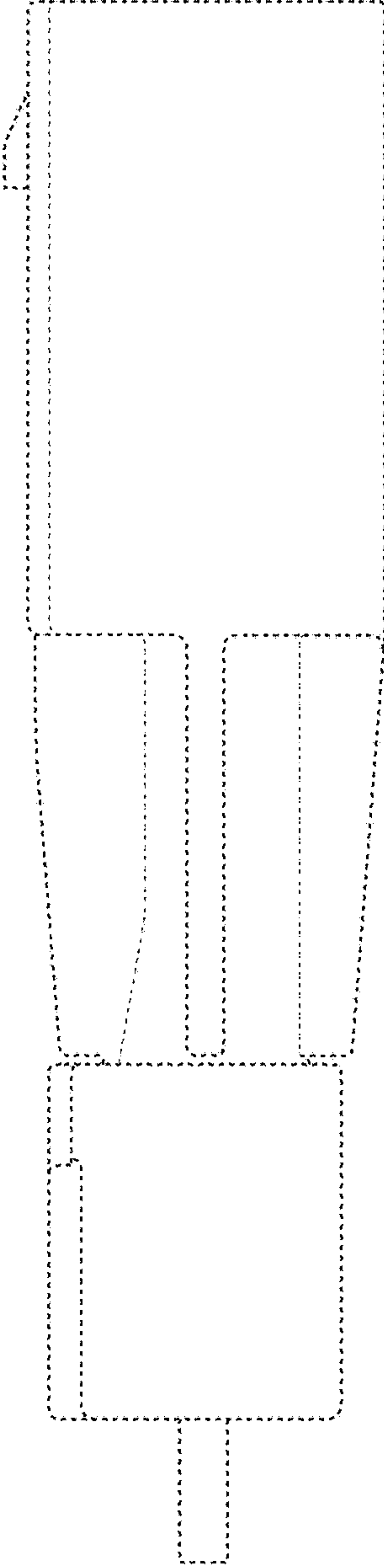


FIG. 5

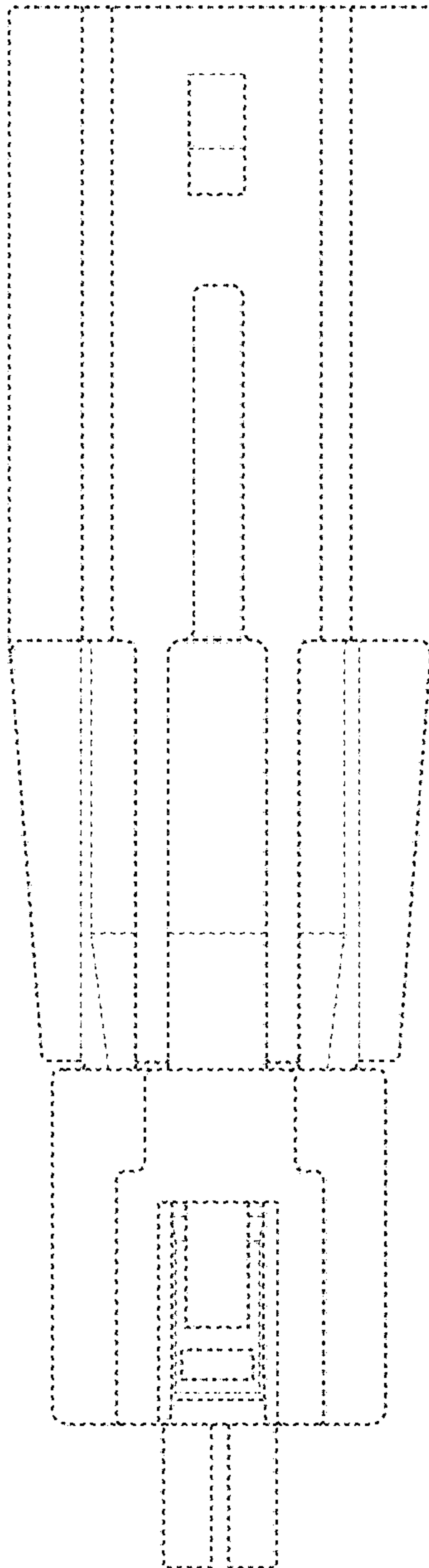


FIG. 6



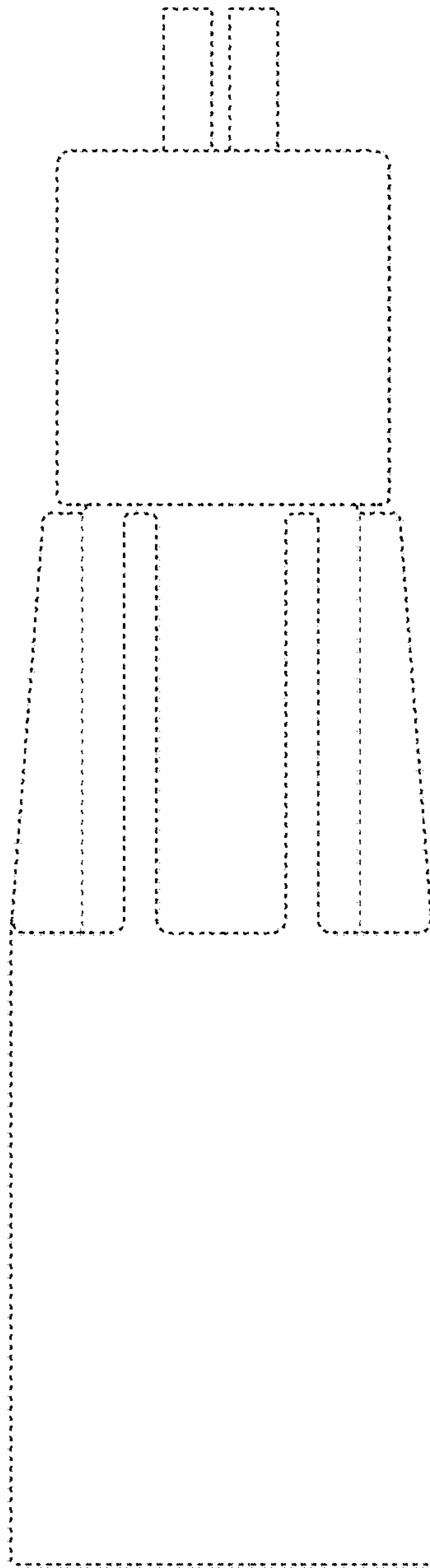


FIG. 7

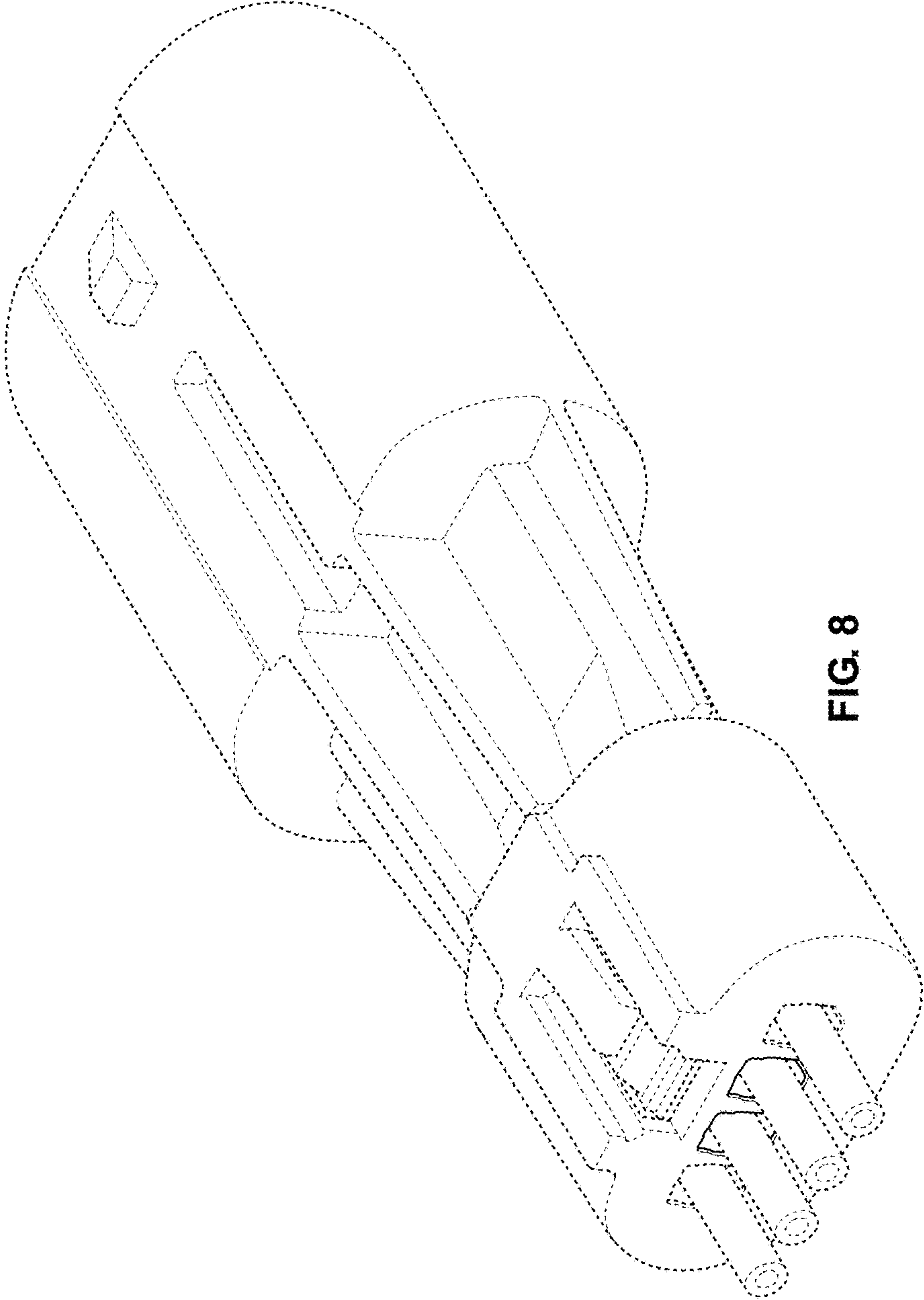


FIG. 8

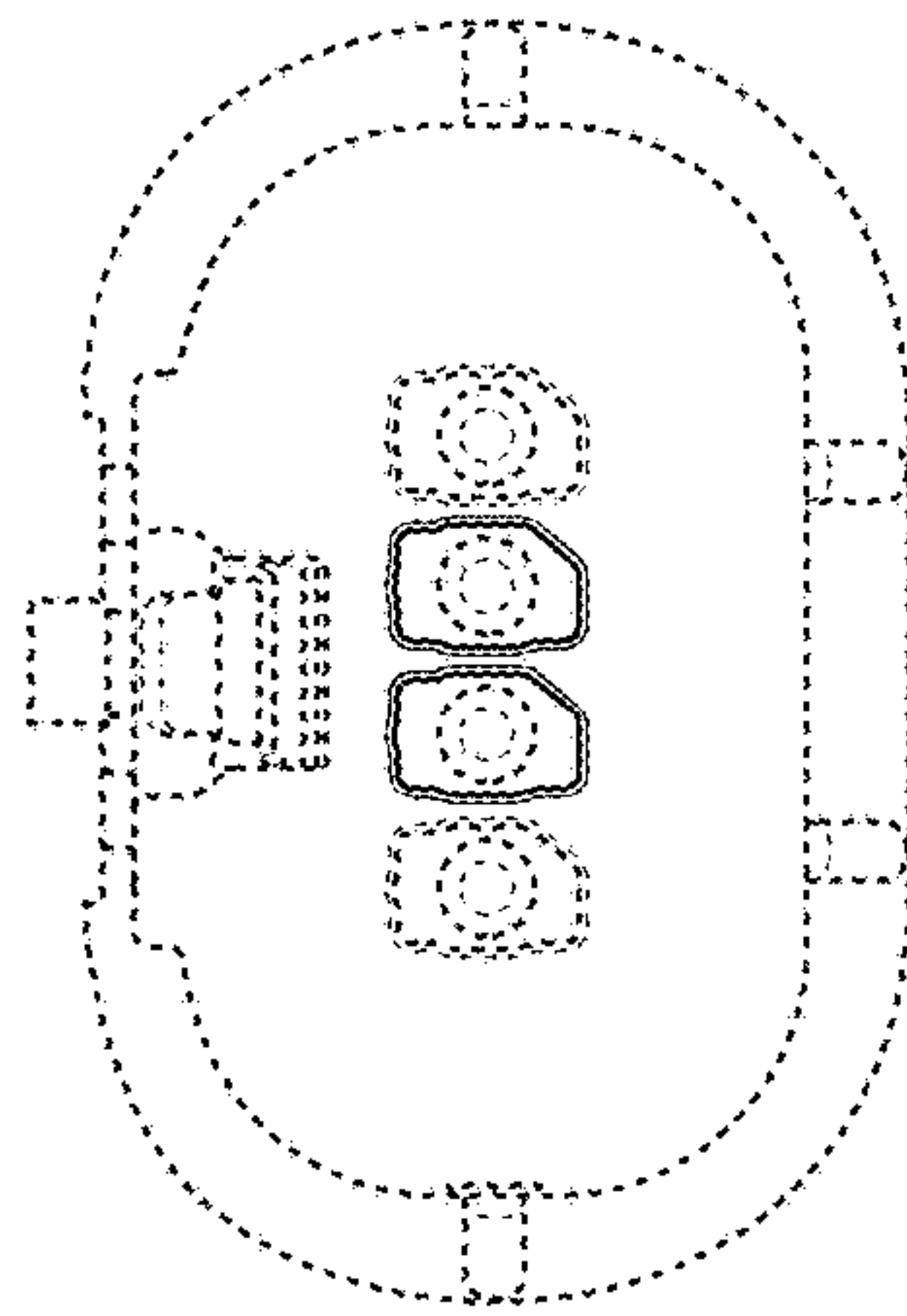


FIG. 9

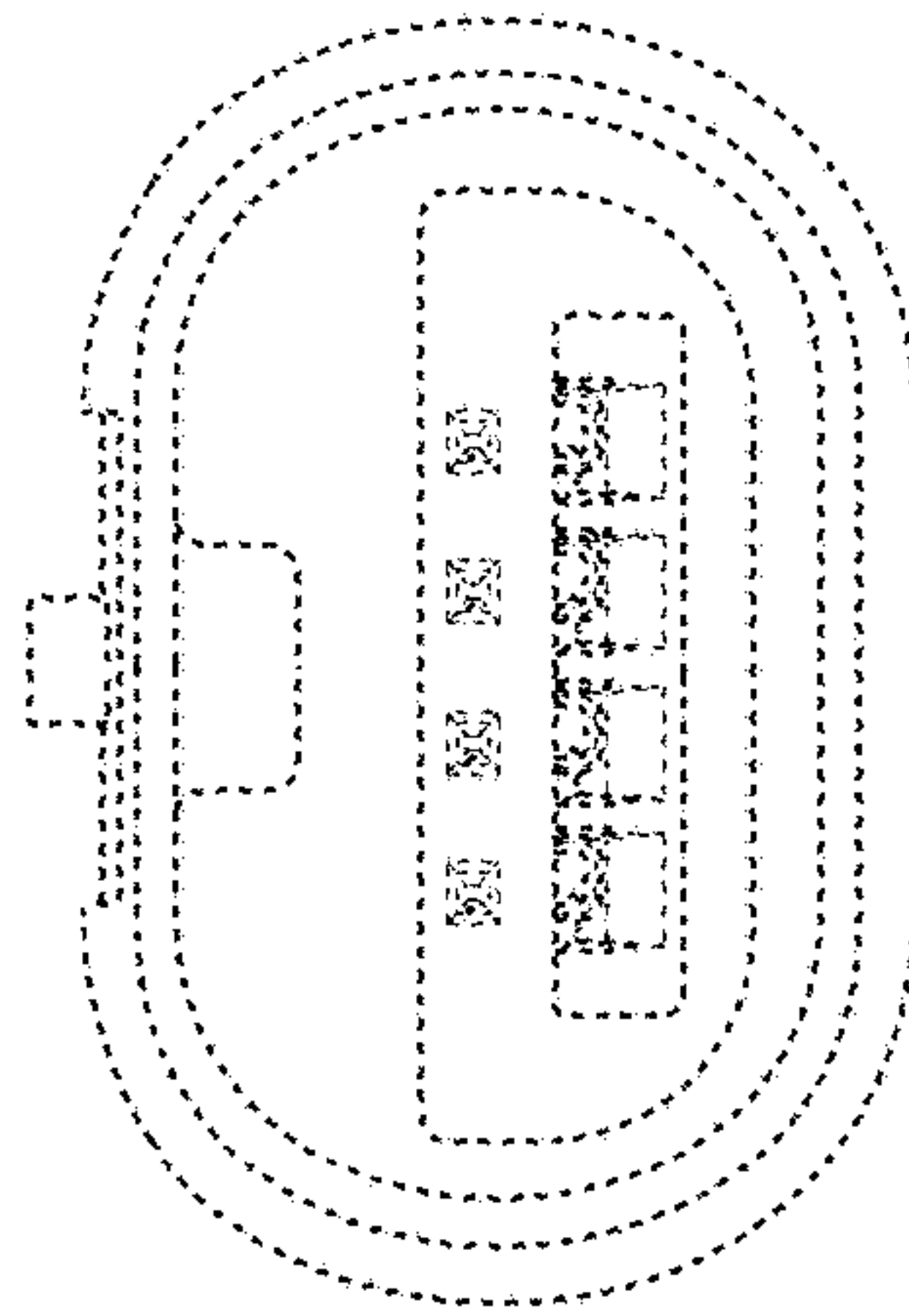


FIG. 10

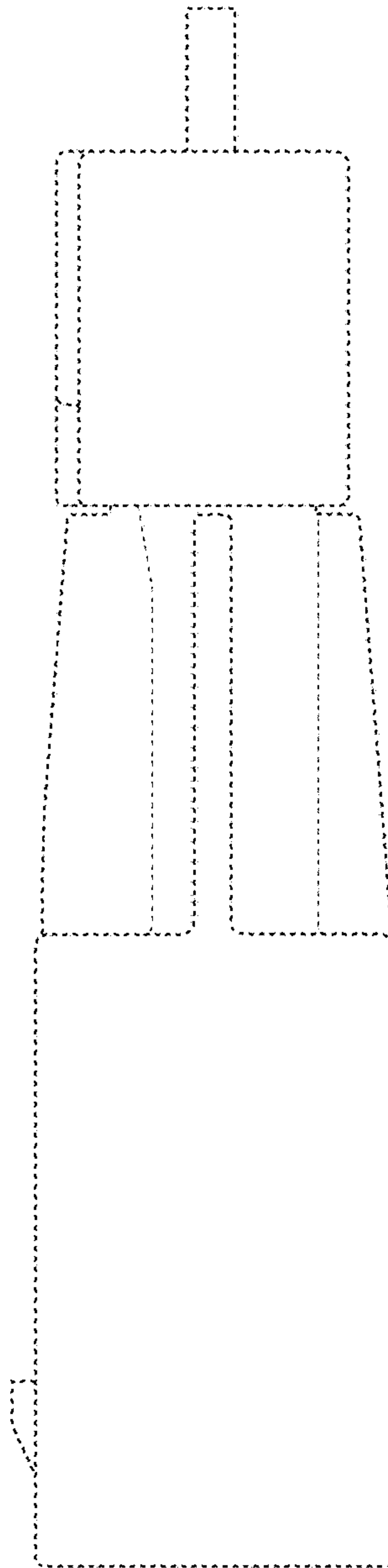


FIG. 11

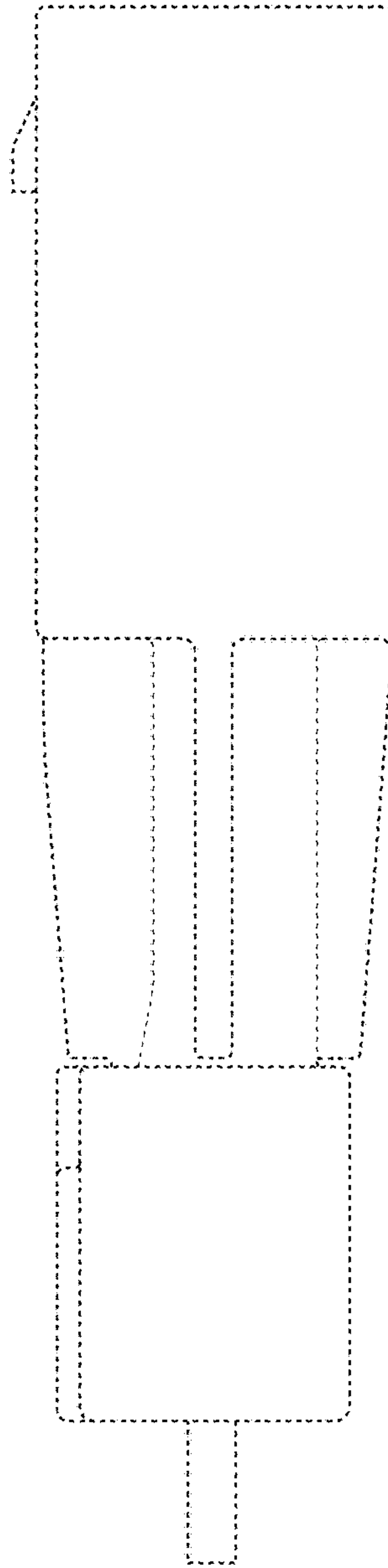


FIG. 12

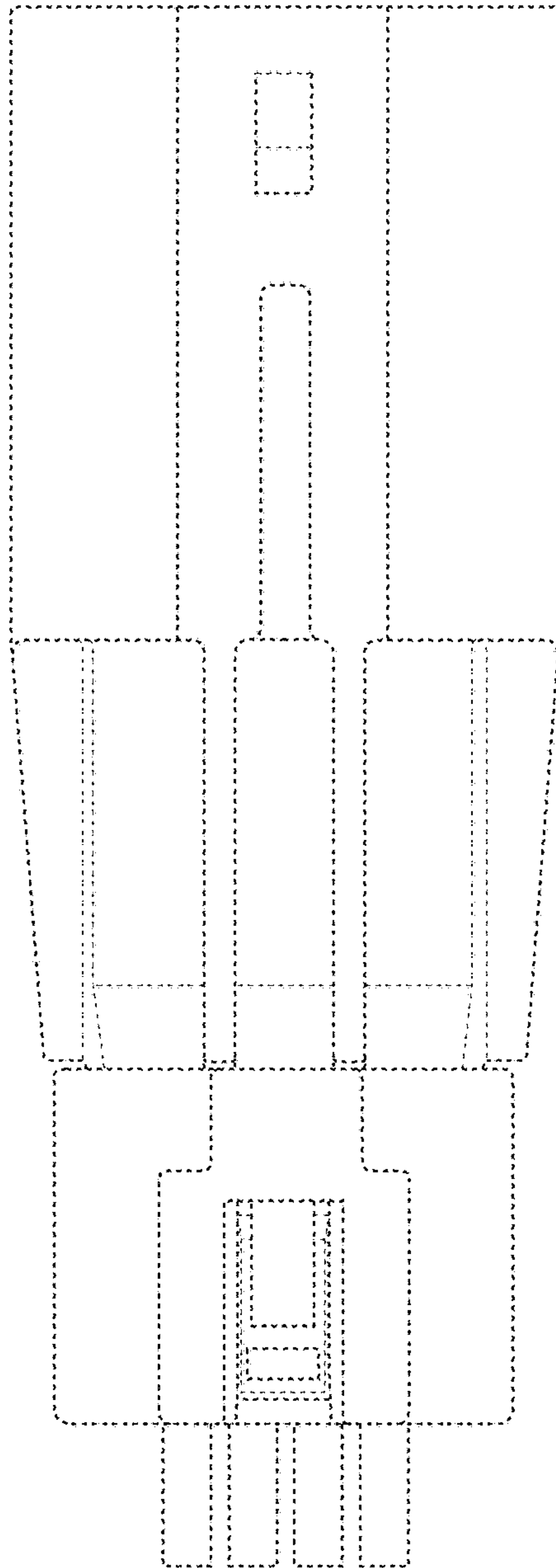


FIG. 13

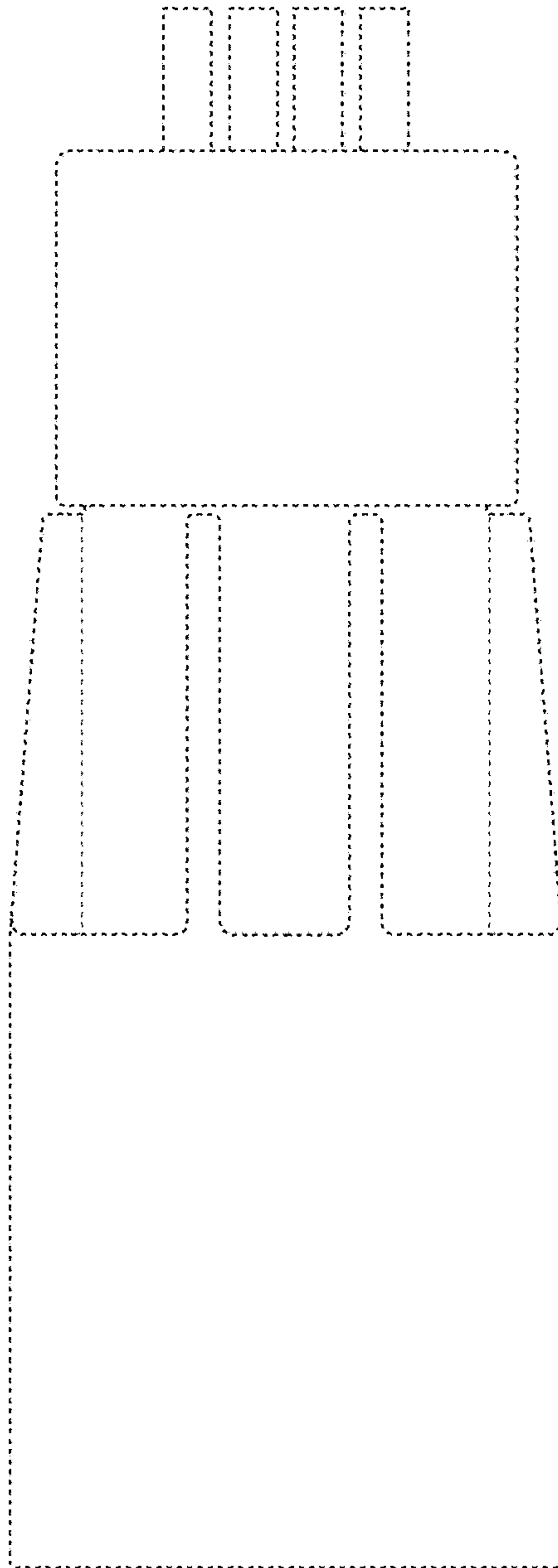


FIG. 14



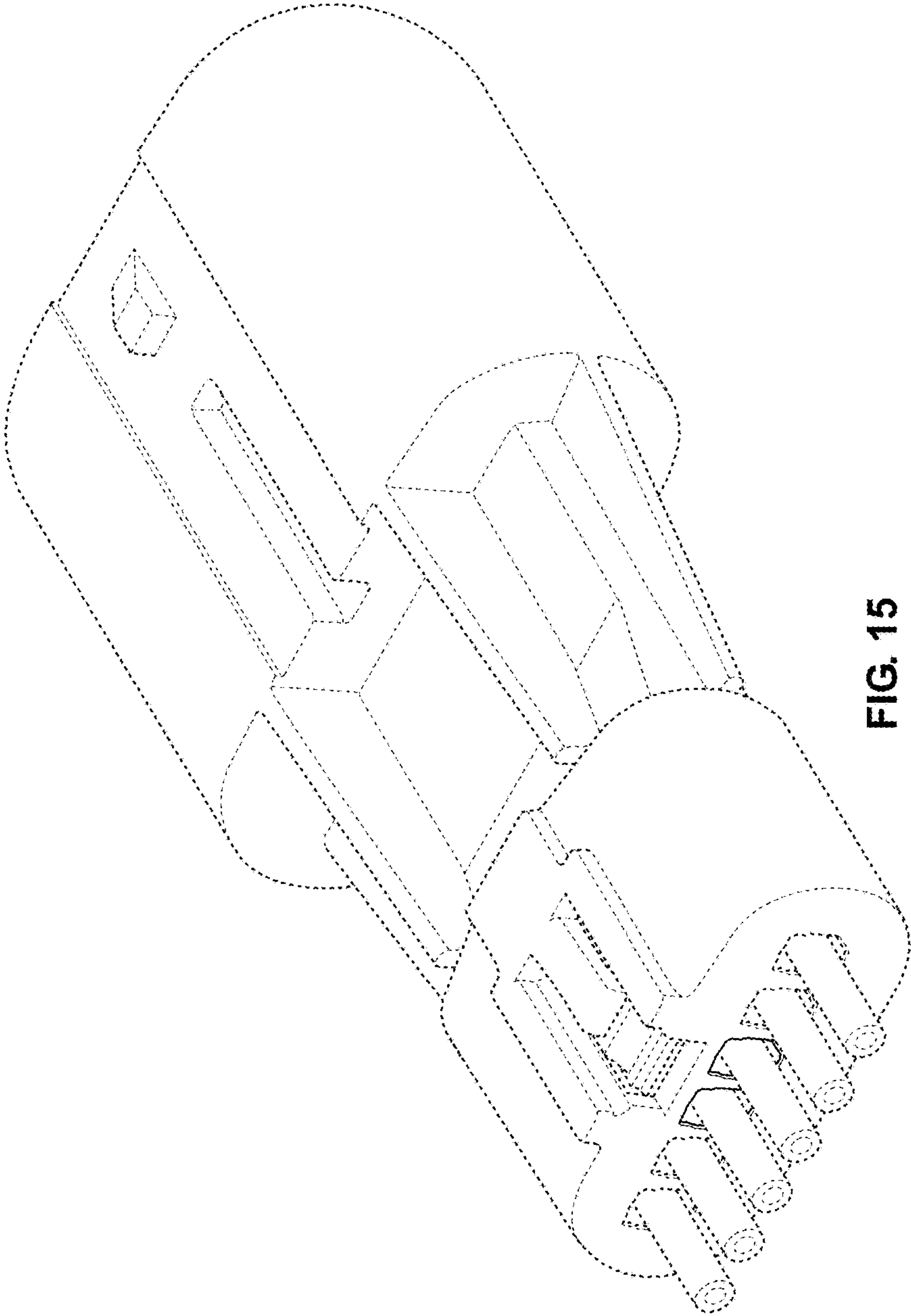


FIG. 15

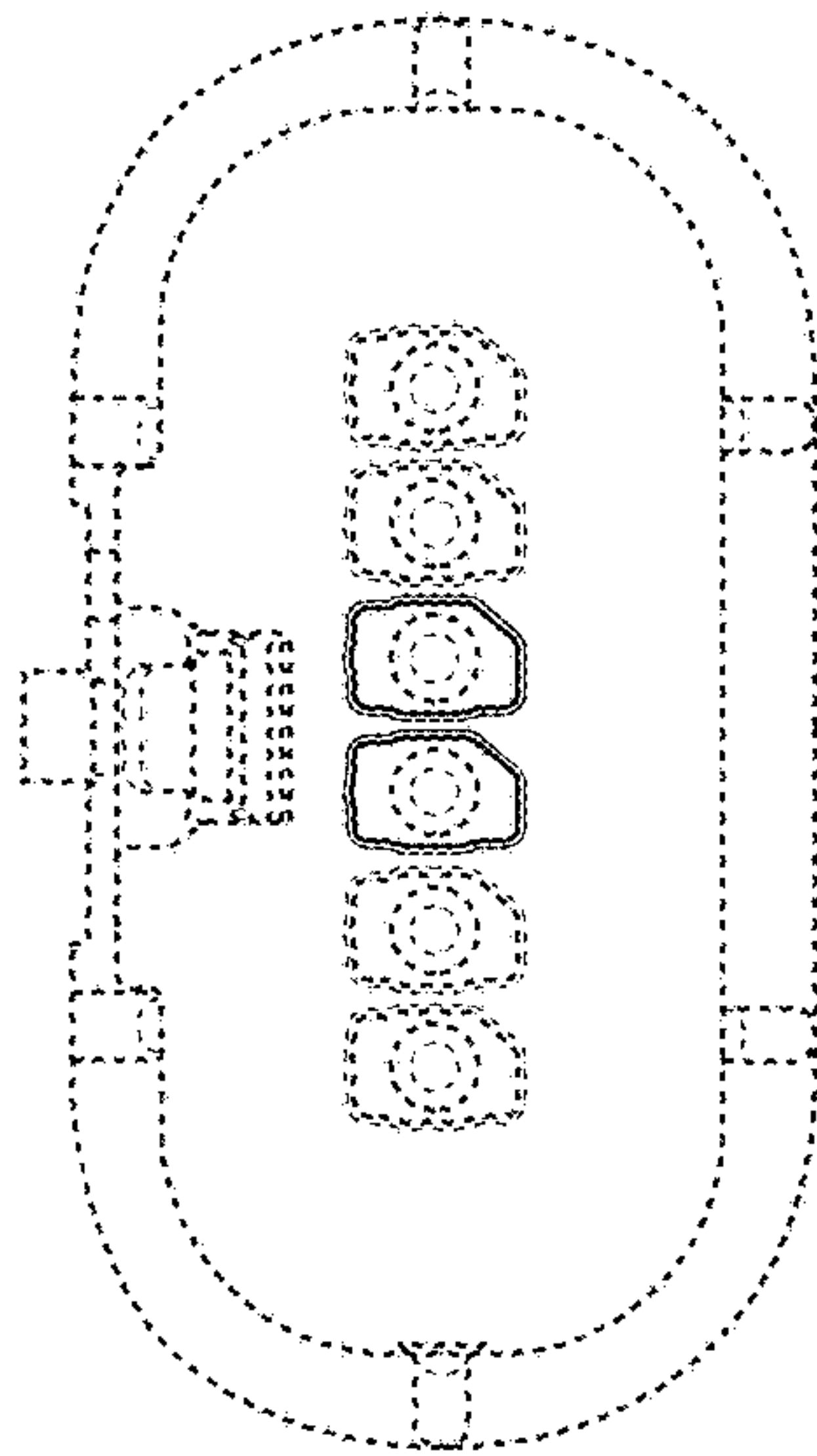


FIG. 16

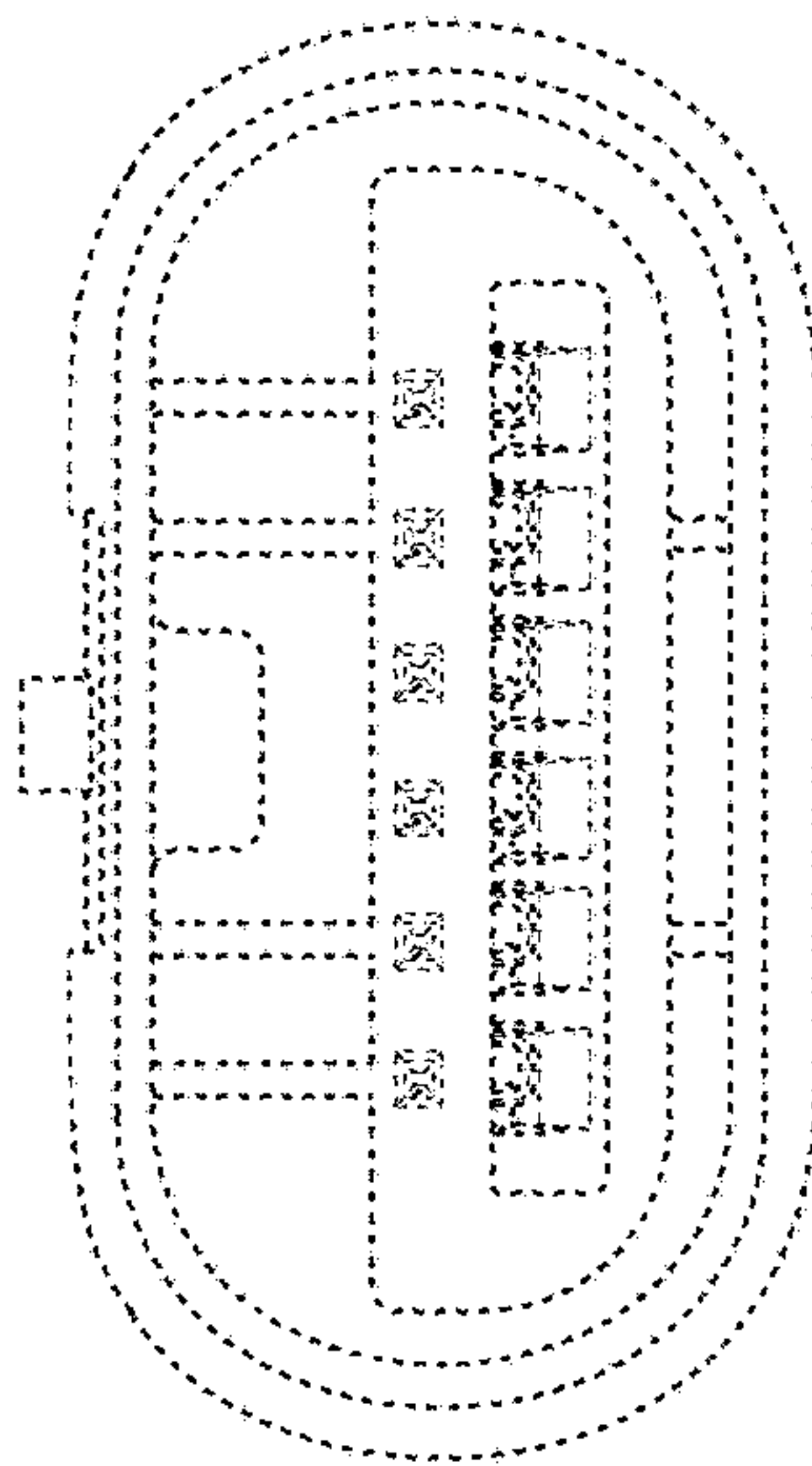


FIG. 17

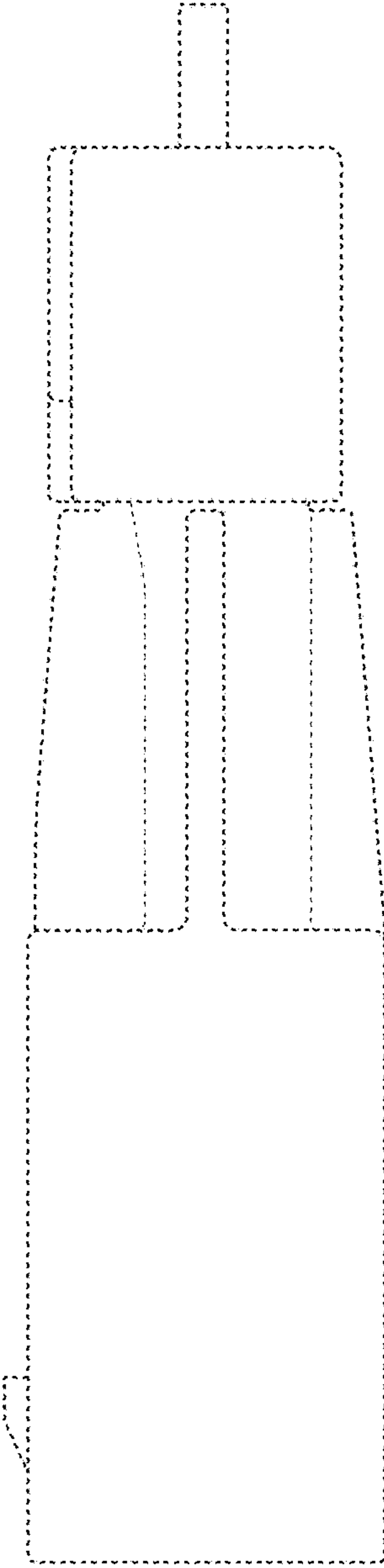


FIG. 18

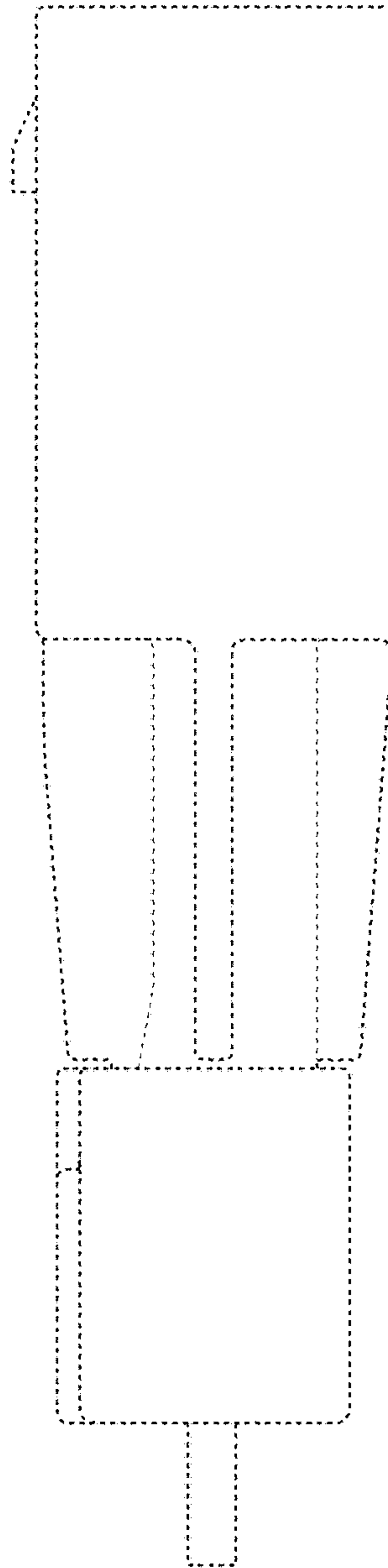


FIG. 19

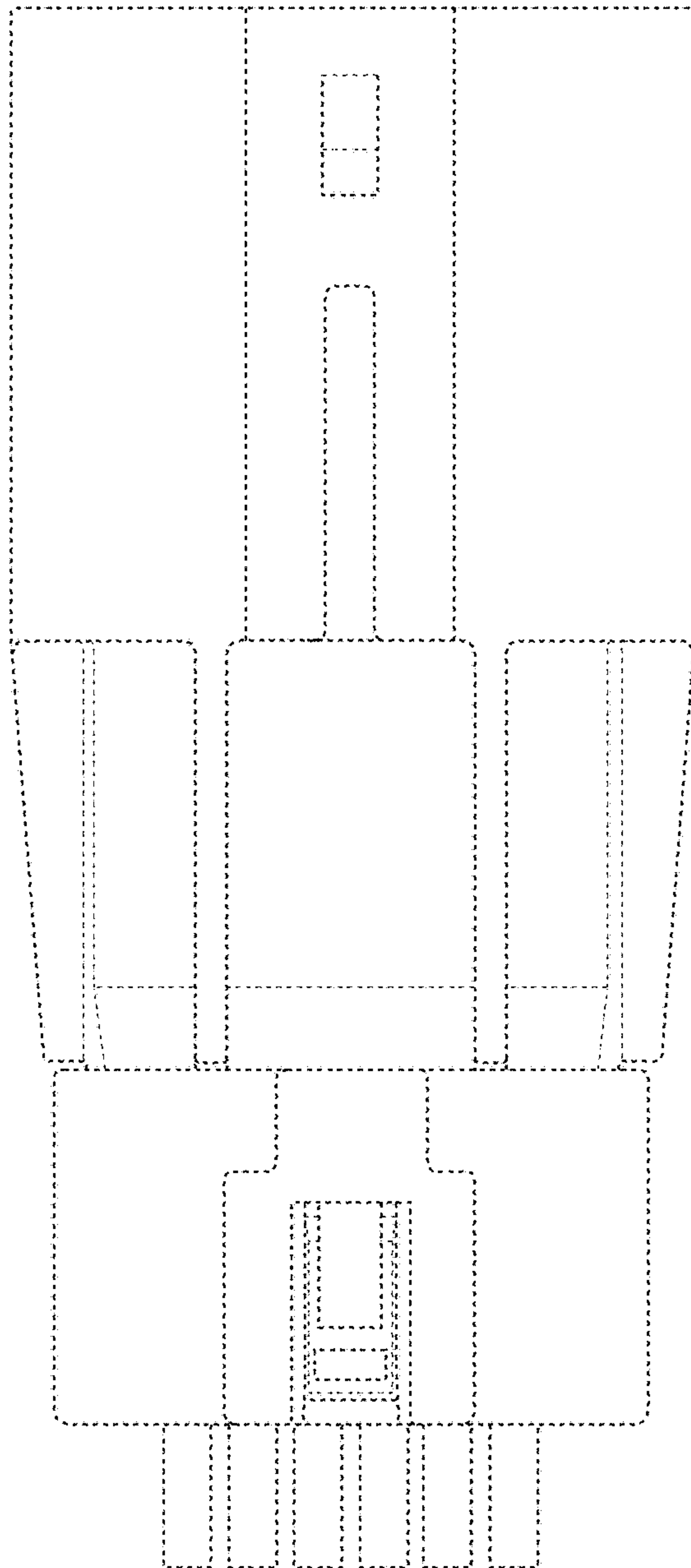


FIG. 20

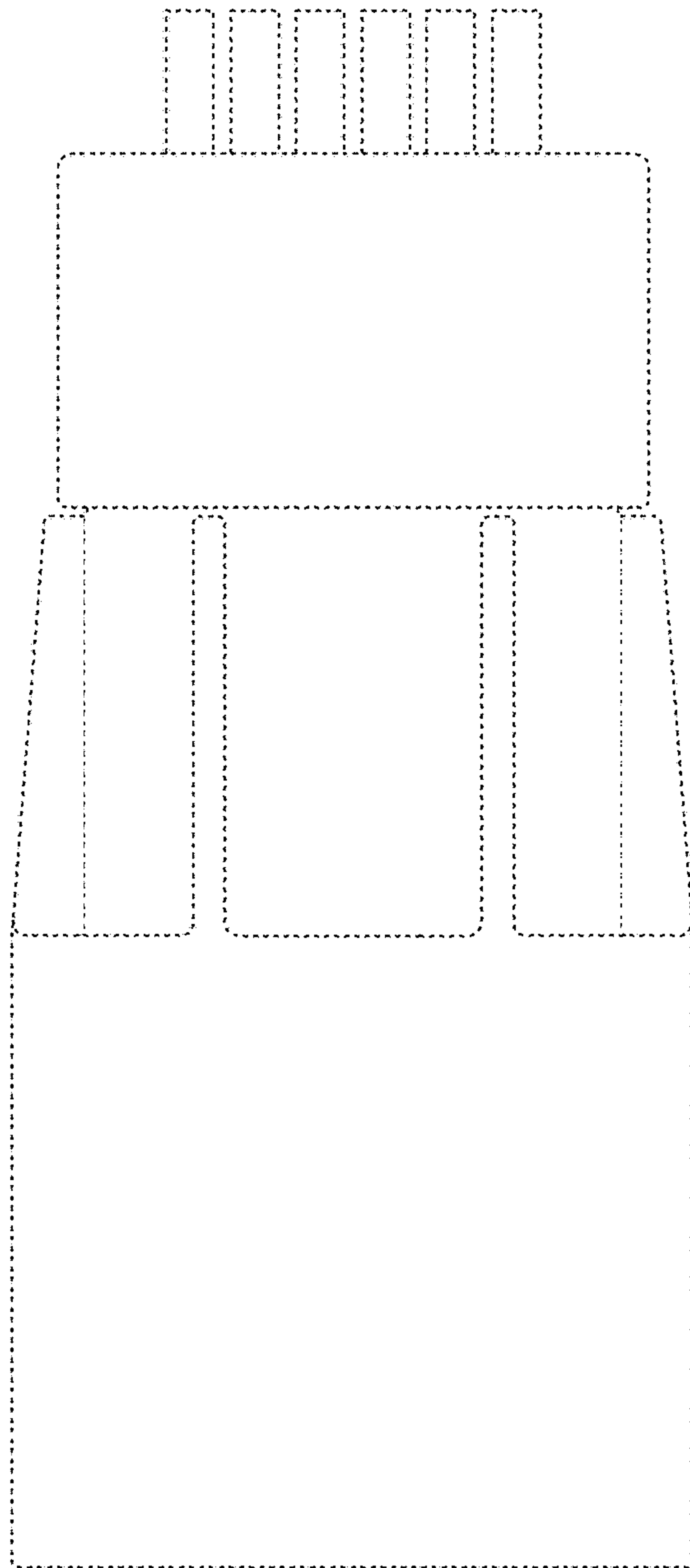


FIG. 21

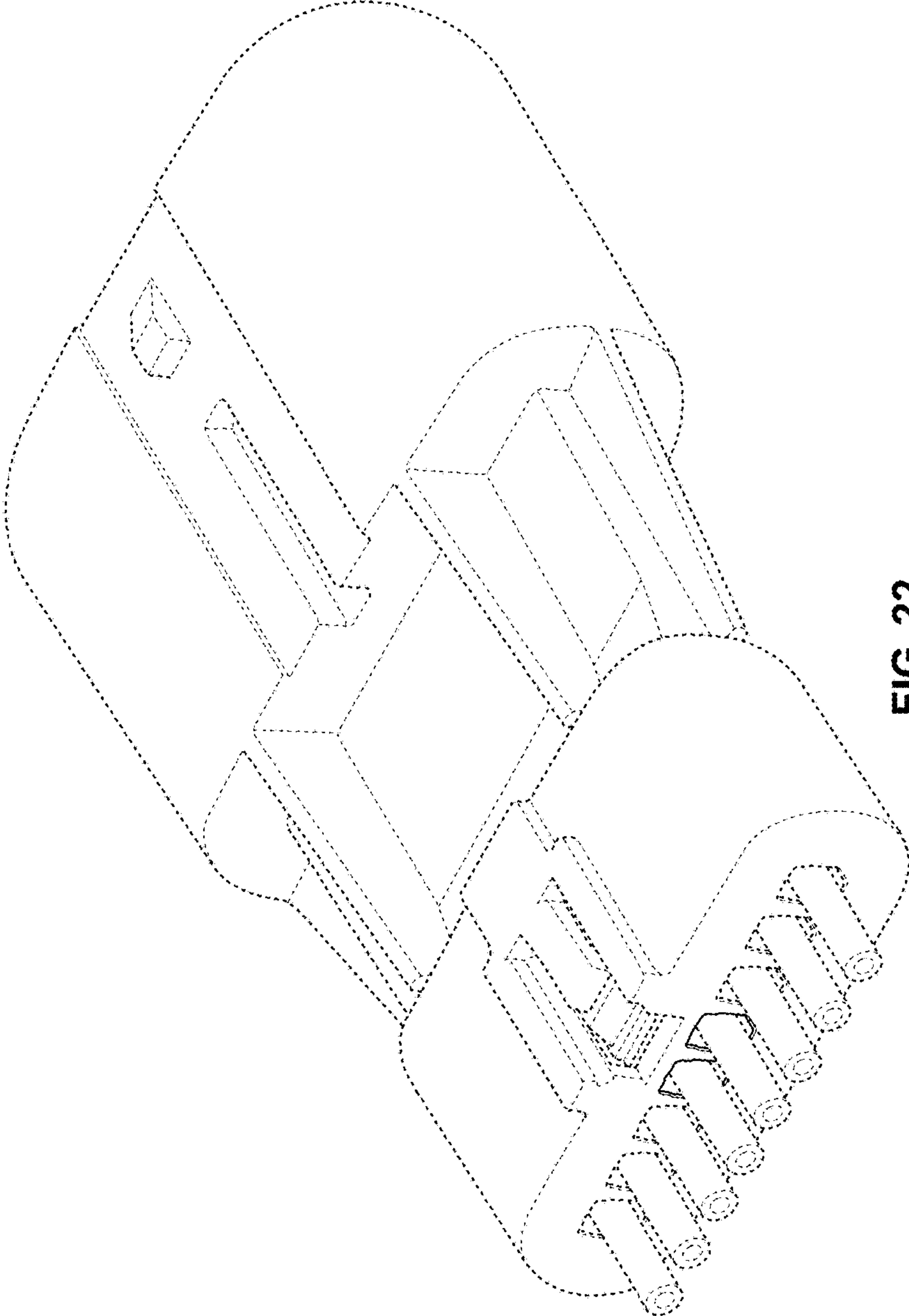


FIG. 22



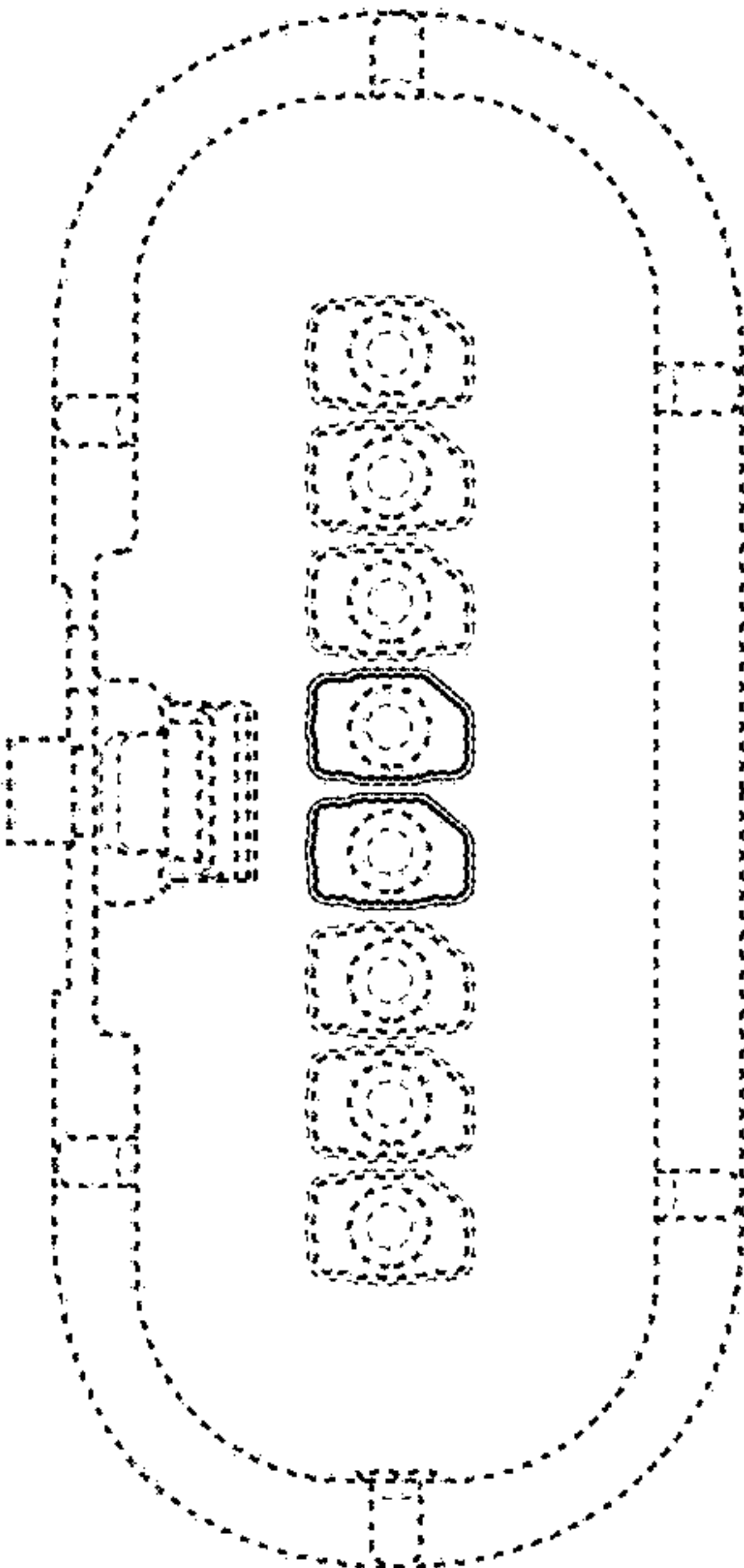


FIG. 23

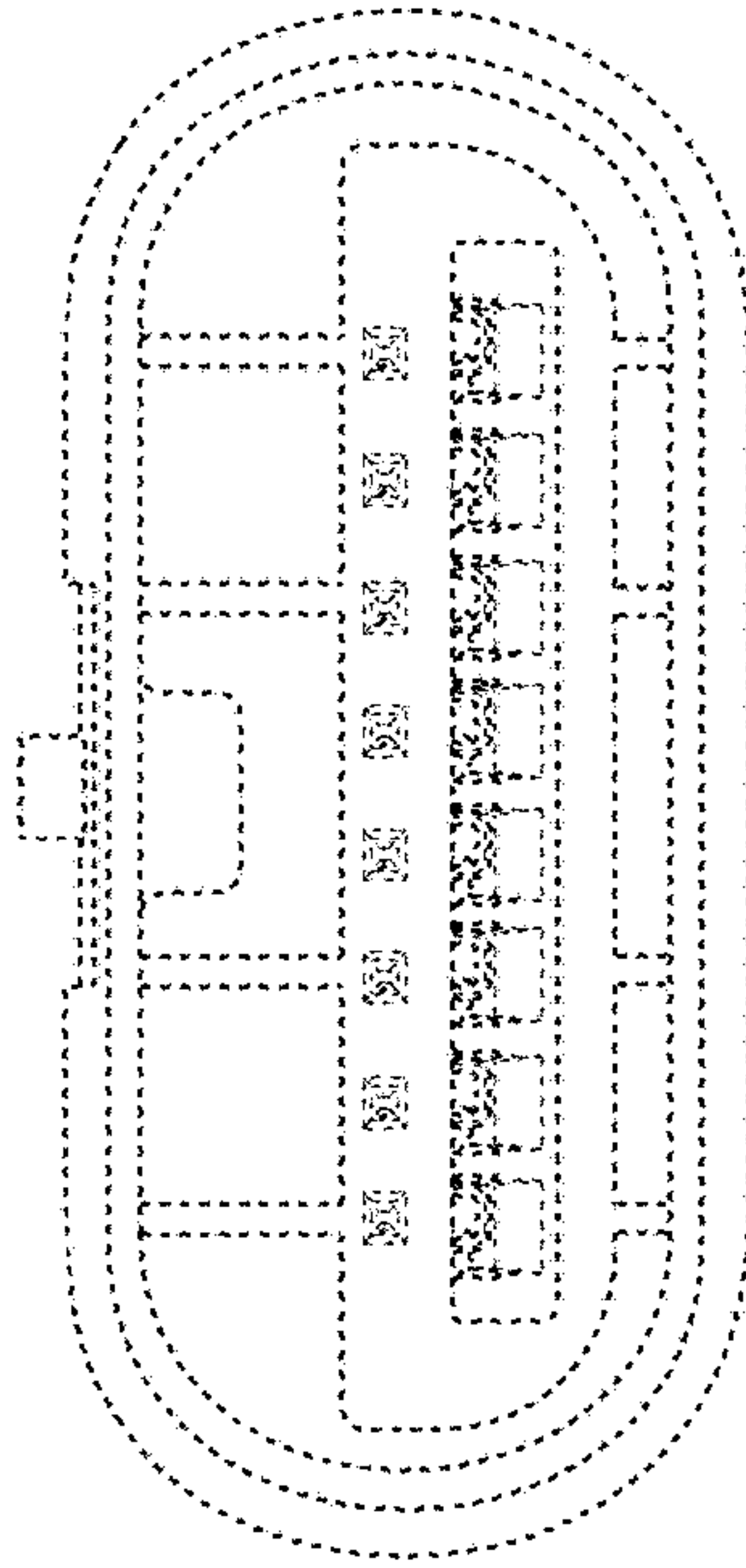


FIG. 24

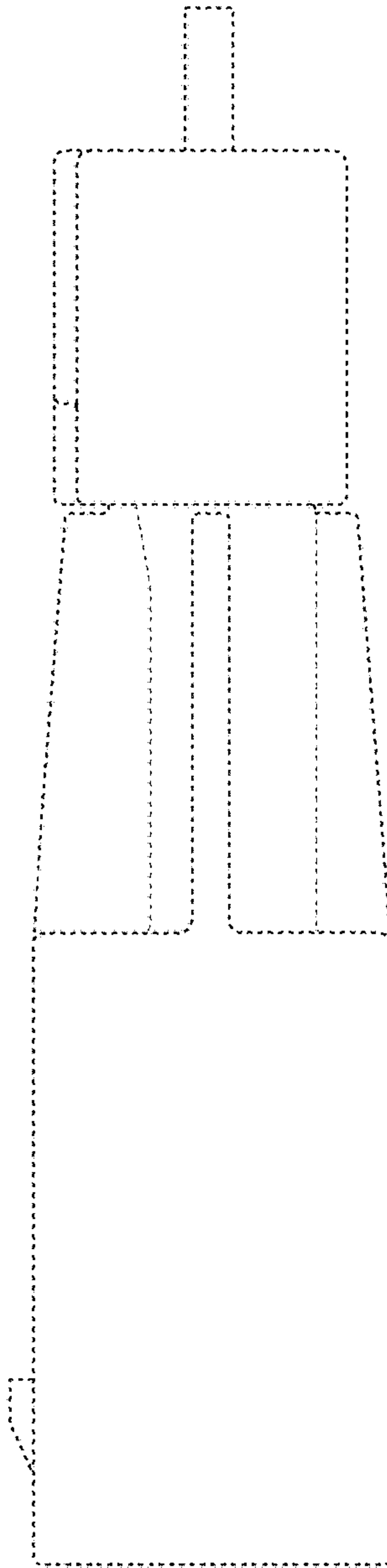


FIG. 25

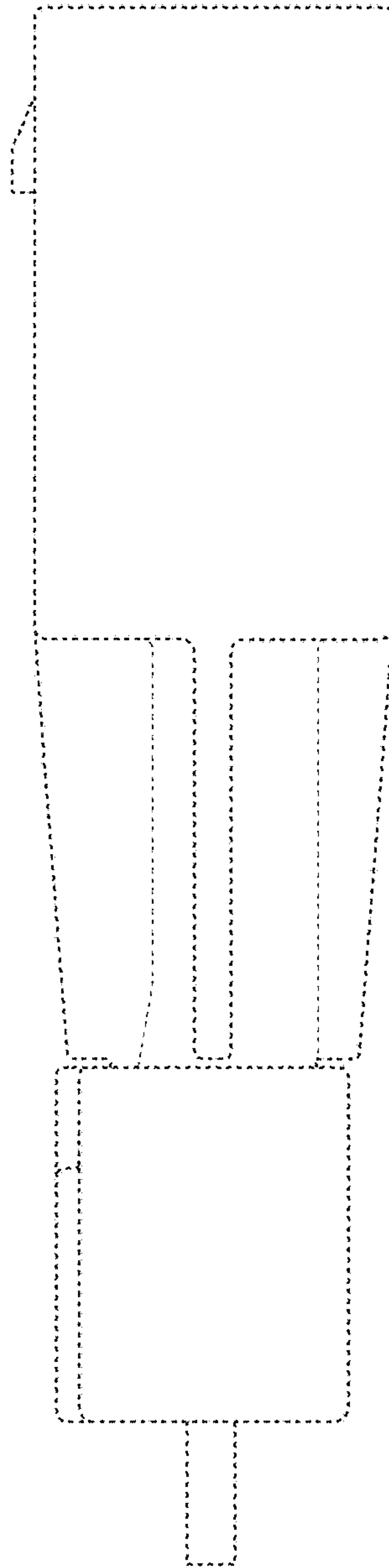


FIG. 26

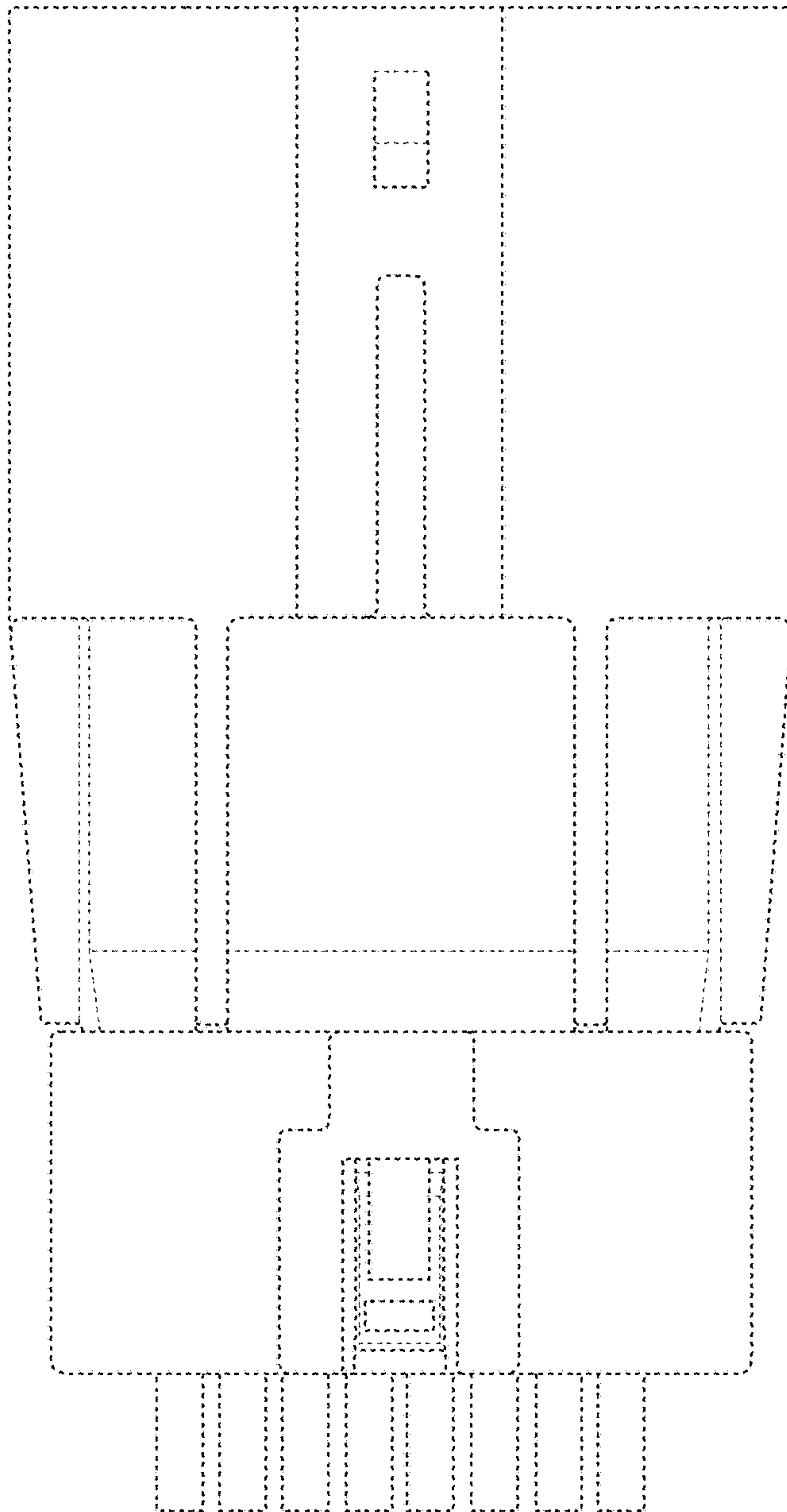


FIG. 27

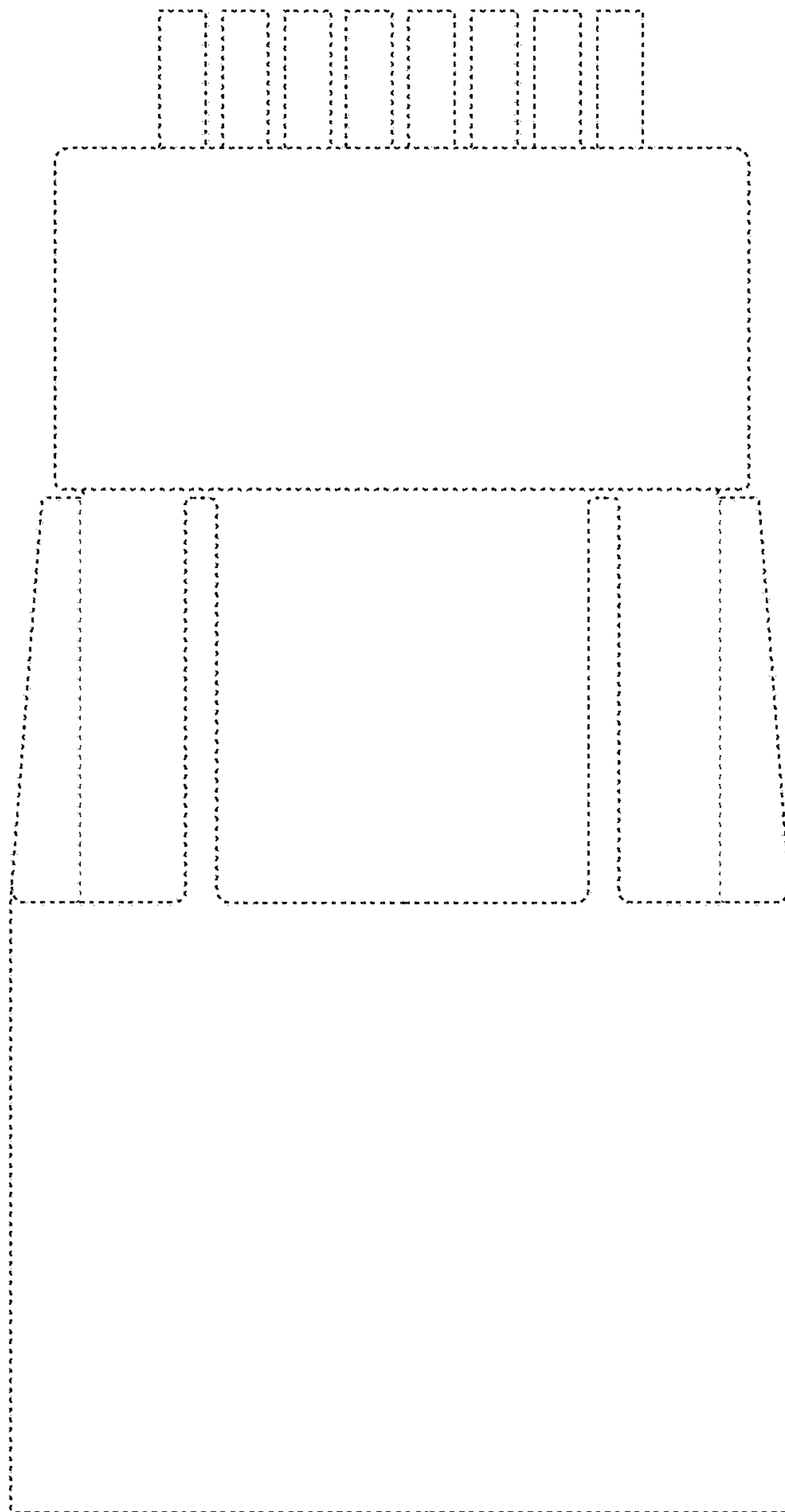


FIG. 28

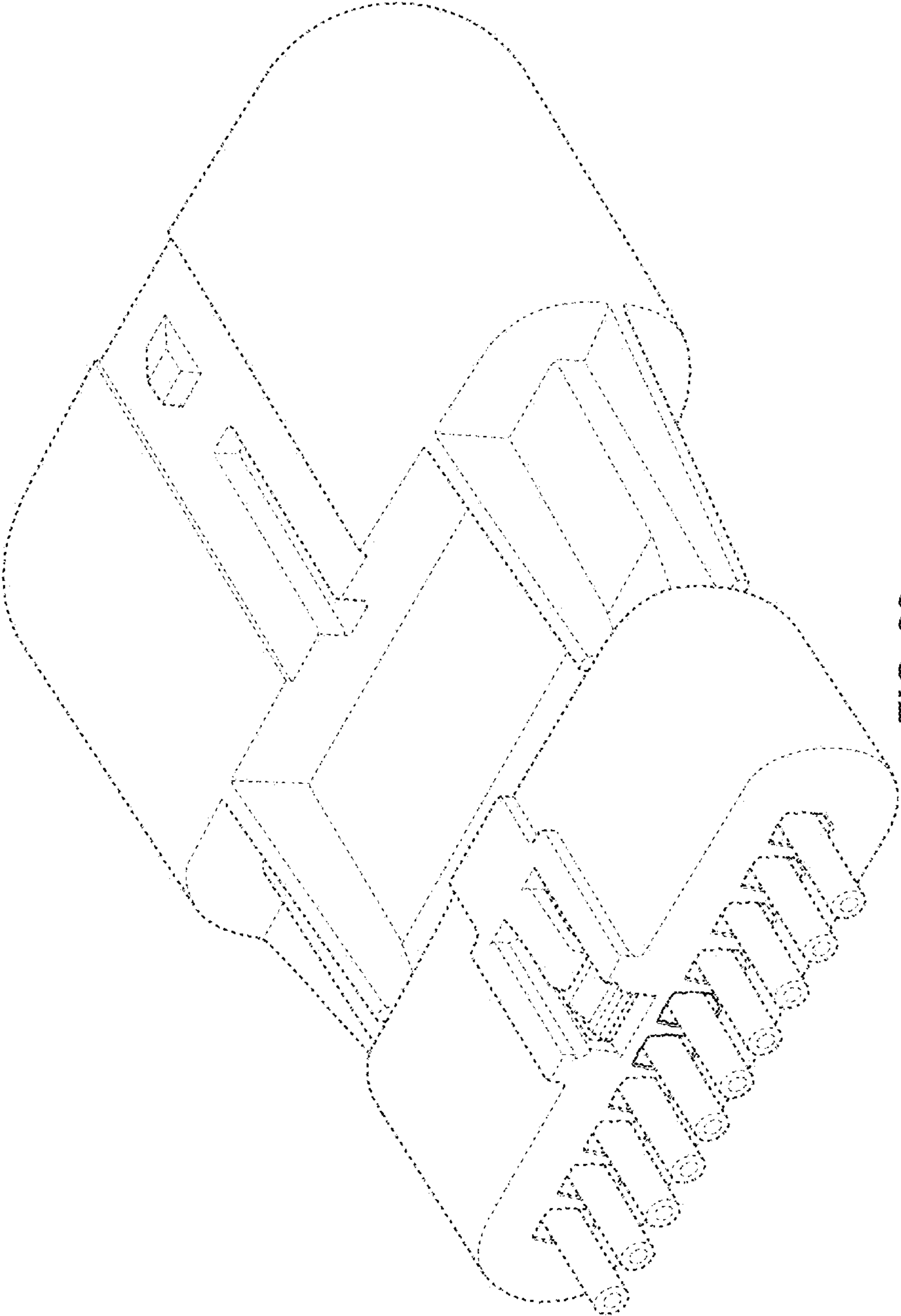


FIG. 29

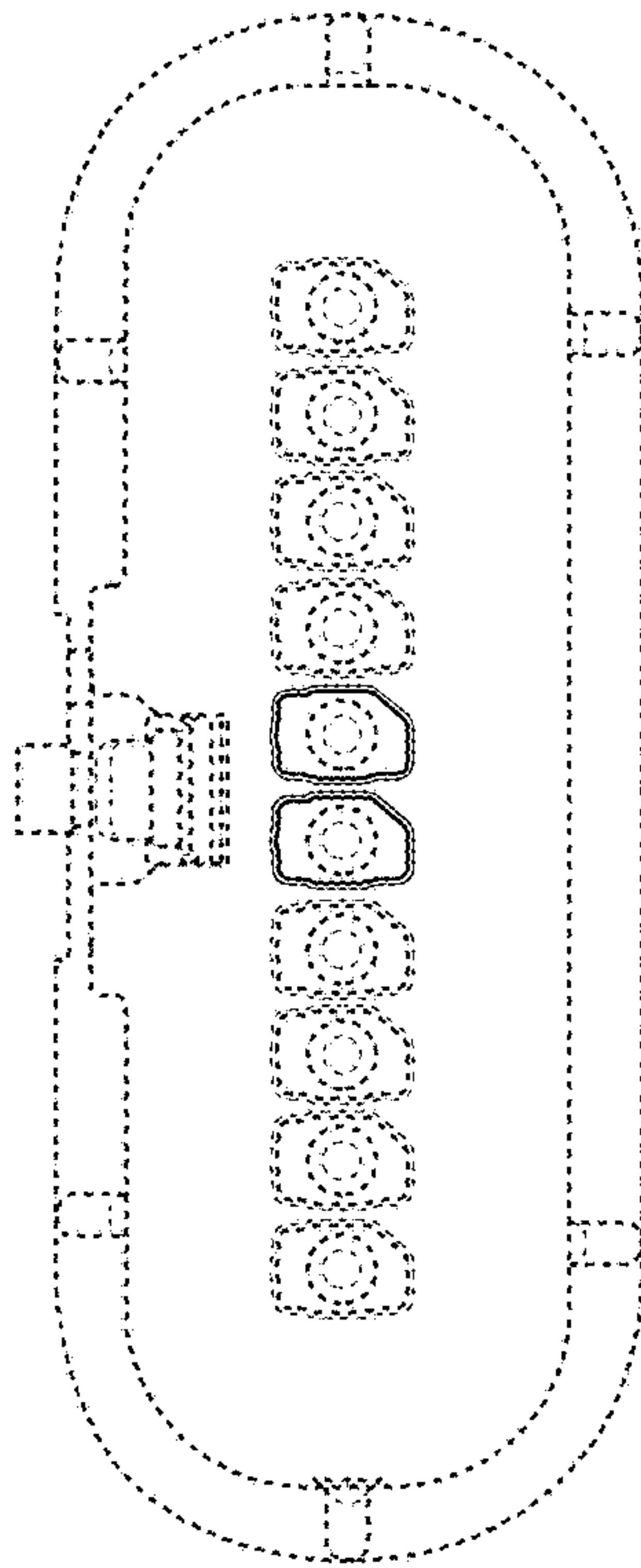


FIG. 30



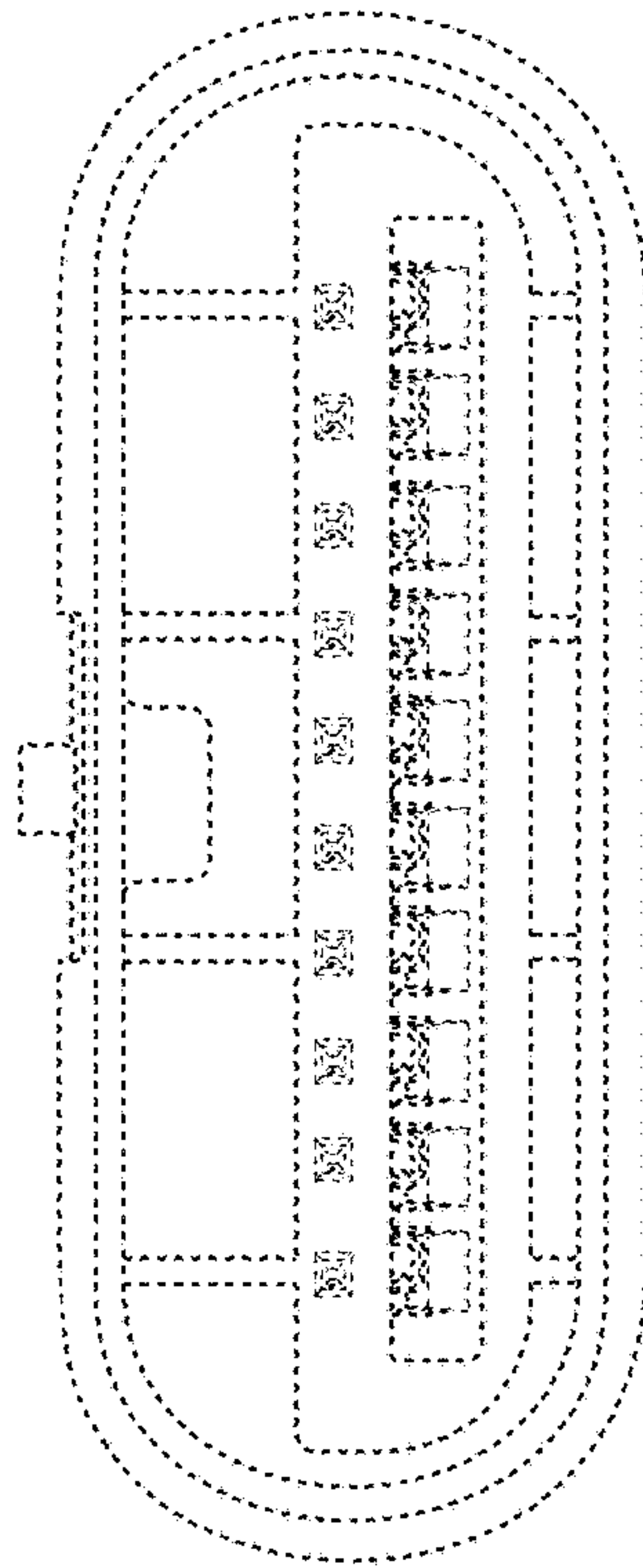


FIG. 31

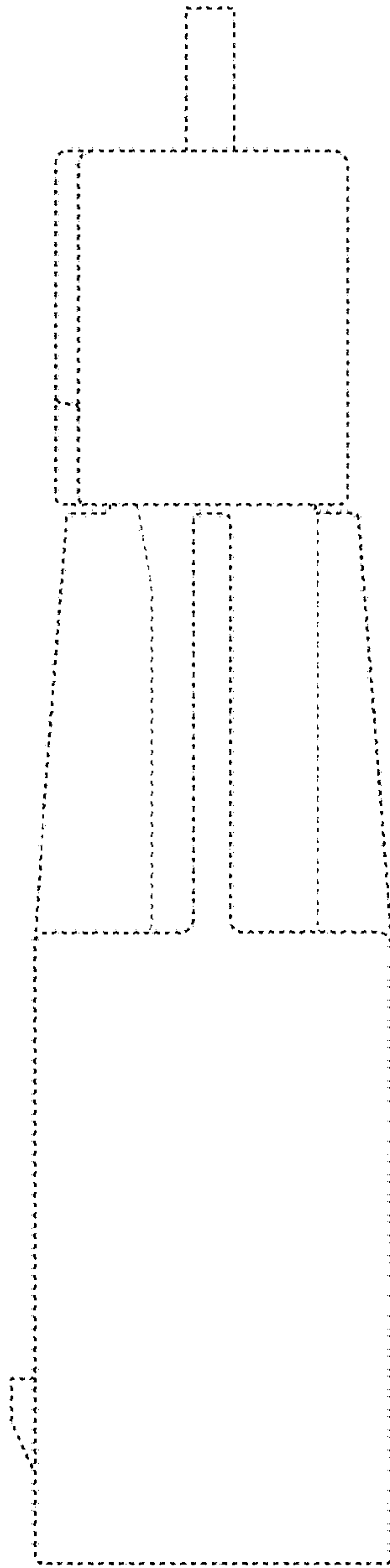


FIG. 32

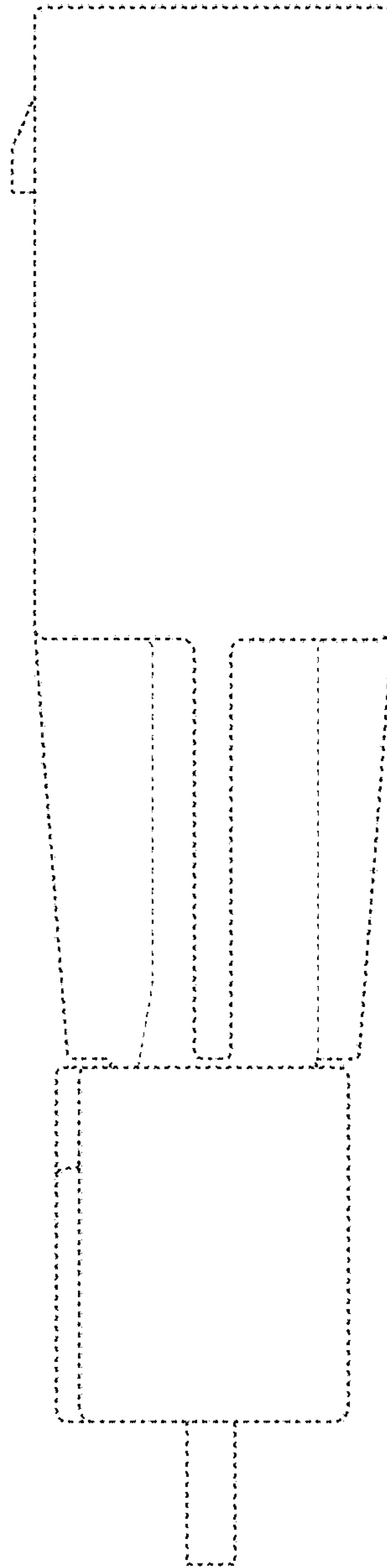


FIG. 33

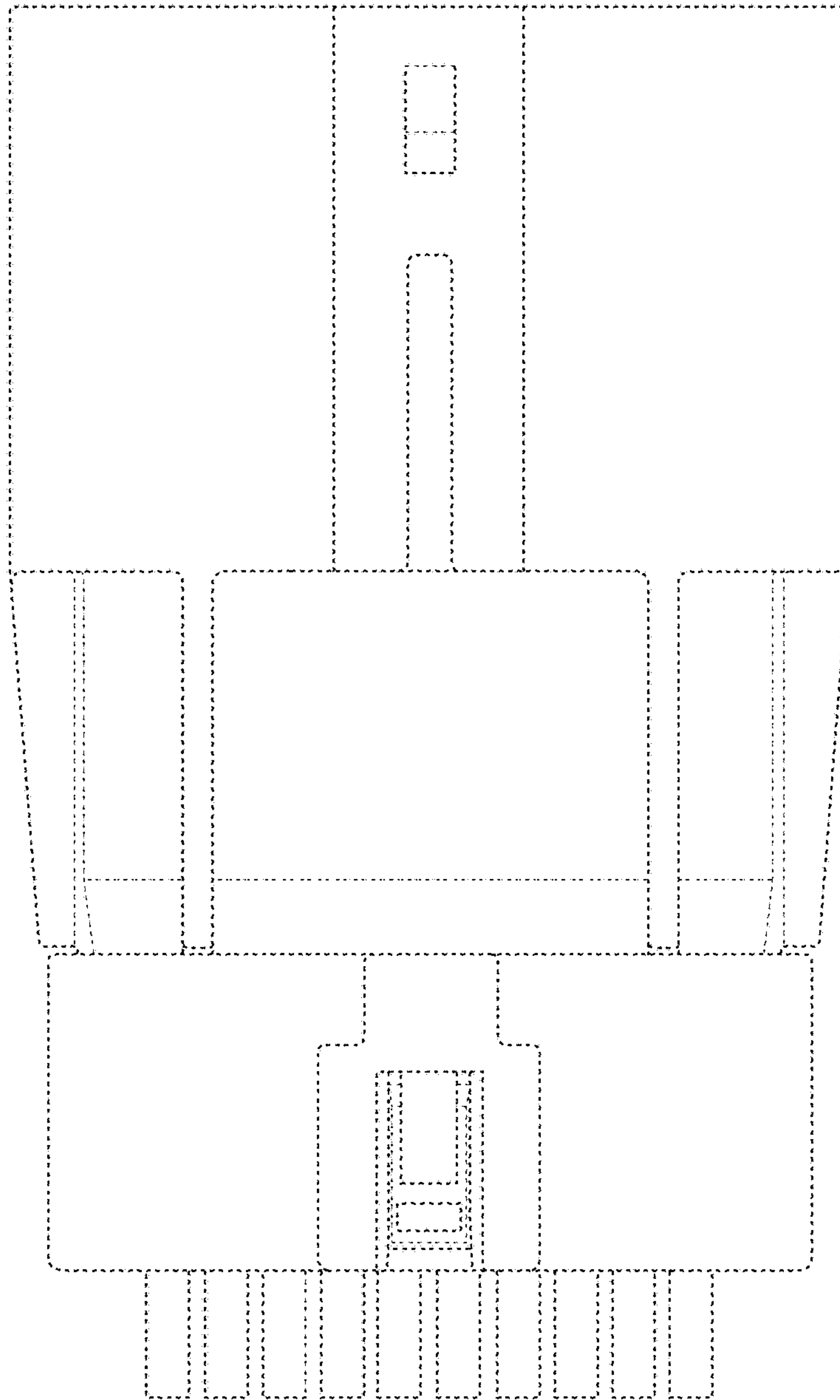


FIG. 34

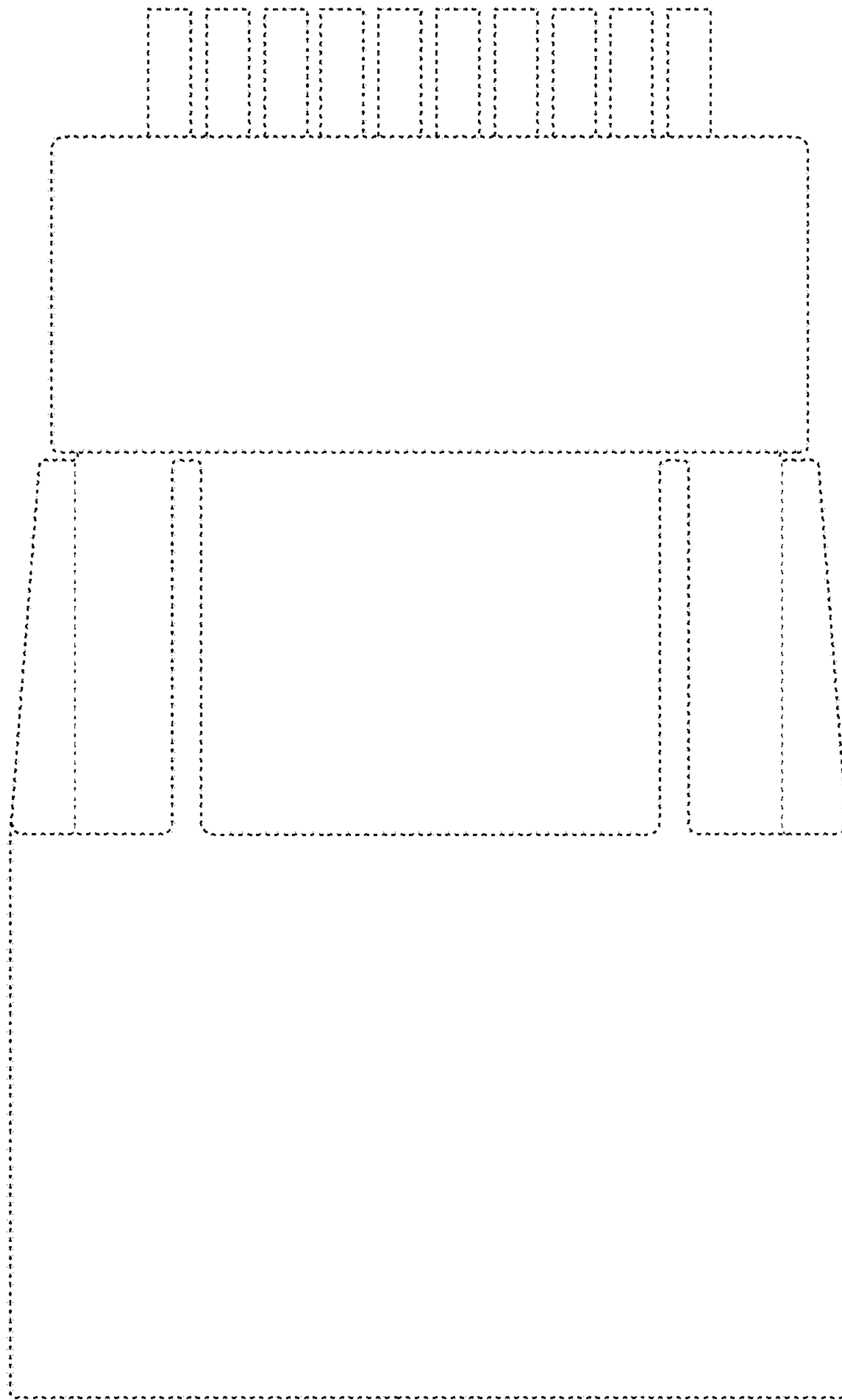


FIG. 35