



US00D849685S

(12) **United States Design Patent**
Tsuji et al.

(10) **Patent No.:** **US D849,685 S**

(45) **Date of Patent:** **** May 28, 2019**

(54) **ROTOR FOR ELECTRIC MOTOR**

(71) Applicant: **Mitsubishi Heavy Industries, Ltd.**,
Tokyo (JP)

(72) Inventors: **Takeshi Tsuji**, Houston, TX (US);
Ichiro Hirakawa, Nagasaki (JP)

(73) Assignee: **Mitsubishi Heavy Industries, Ltd.**,
Tokyo (JP)

(**) Term: **15 Years**

(21) Appl. No.: **29/562,028**

(22) Filed: **May 13, 2016**

(51) **LOC (11) Cl.** **13-01**

(52) **U.S. Cl.**
USPC **D13/122**

(58) **Field of Classification Search**
USPC D13/112, 113, 114, 118, 122, 184, 199;
D15/1, 5; 290/36 R, 38 R, 39; 310/10,
310/20, 40 R, 40 MM, 42, 68 D, 75 R,
310/80, 83, 88, 89, 98, 109, 114
CPC H02K 5/06; H02K 5/22; H02K 5/225;
H02K 11/33; H02K 9/06; H02K 9/12;
H02K 9/14; H02K 9/18; H02K 9/20;
H02K 7/1025; H02K 7/20918; H02K
3/04; H02K 3/24; H02K 3/47; H02K
1/278; H02K 17/165; F02B 63/04; F28D
15/0266; F28D 15/02; F28F 1/20
See application file for complete search history.

(56) **References Cited**

U.S. PATENT DOCUMENTS

D320,191 S * 9/1991 Yamaguchi D13/112
D441,715 S * 5/2001 Sasaki D13/122

D506,439 S * 6/2005 Wang D13/133
7,692,326 B2 4/2010 Ono et al.
D647,478 S * 10/2011 Jiang D13/122
D816,031 S * 4/2018 Sakai D13/112
2013/0239568 A1 9/2013 Krishnan et al.
2013/0269305 A1* 10/2013 Wang A01D 34/00
56/14.7

FOREIGN PATENT DOCUMENTS

JP 2015158161 A 9/2015

* cited by examiner

Primary Examiner — Derrick E Holland

(74) *Attorney, Agent, or Firm* — Berkeley Law &
Technology Group, LLP

(57) **CLAIM**

The ornamental design for a rotor for electric motor, as shown and described.

DESCRIPTION

FIG. 1 is a front view of a rotor for electric motor showing our new design.

FIG. 2 is a top view thereof.

FIG. 3 is a left side view thereof.

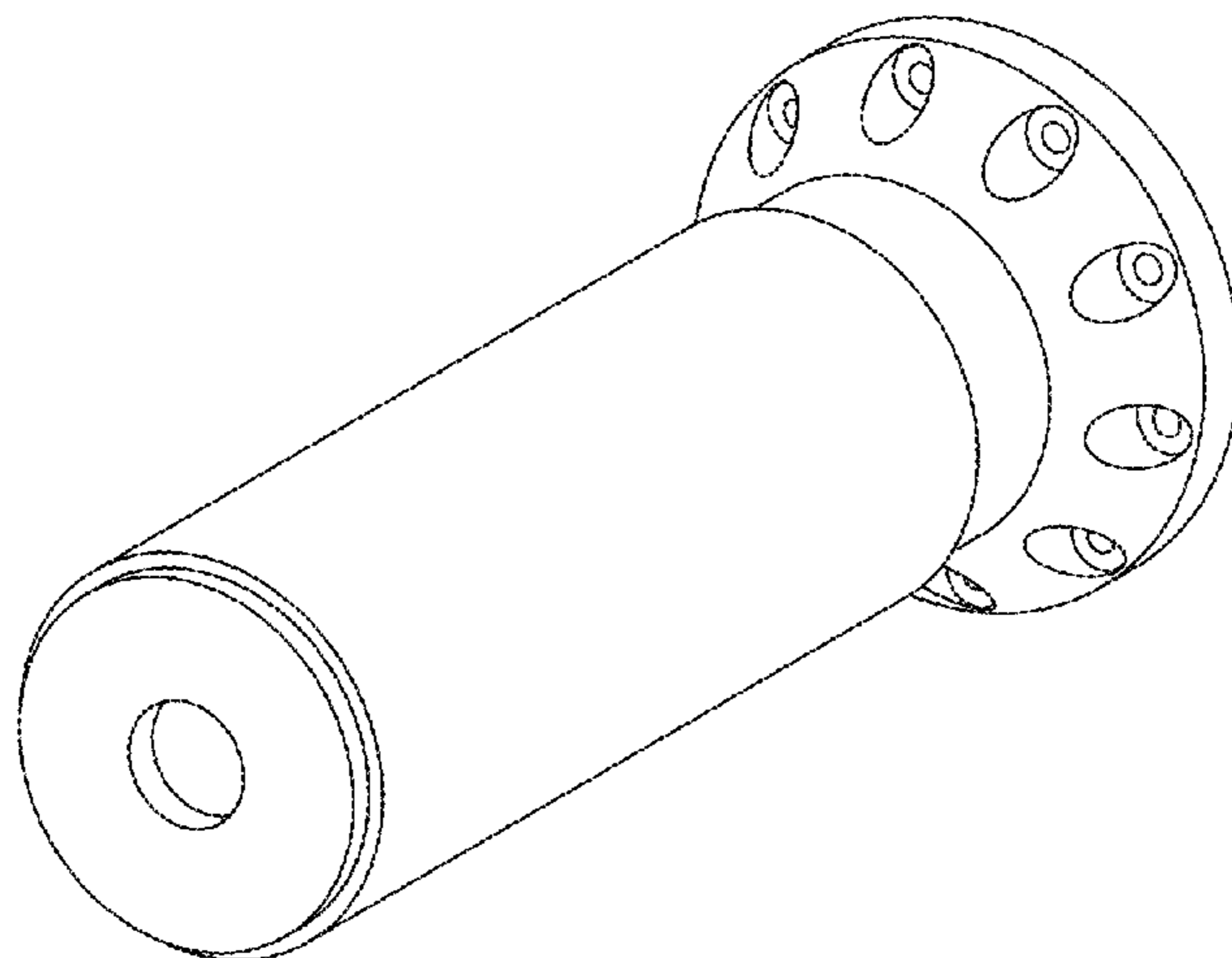
FIG. 4 is a right side view thereof.

FIG. 5 is a cross-sectional view taken along line 5-5 in FIG. 3.

FIG. 6 is a first perspective view thereof; and,

FIG. 7 is a second perspective view thereof.

1 Claim, 7 Drawing Sheets



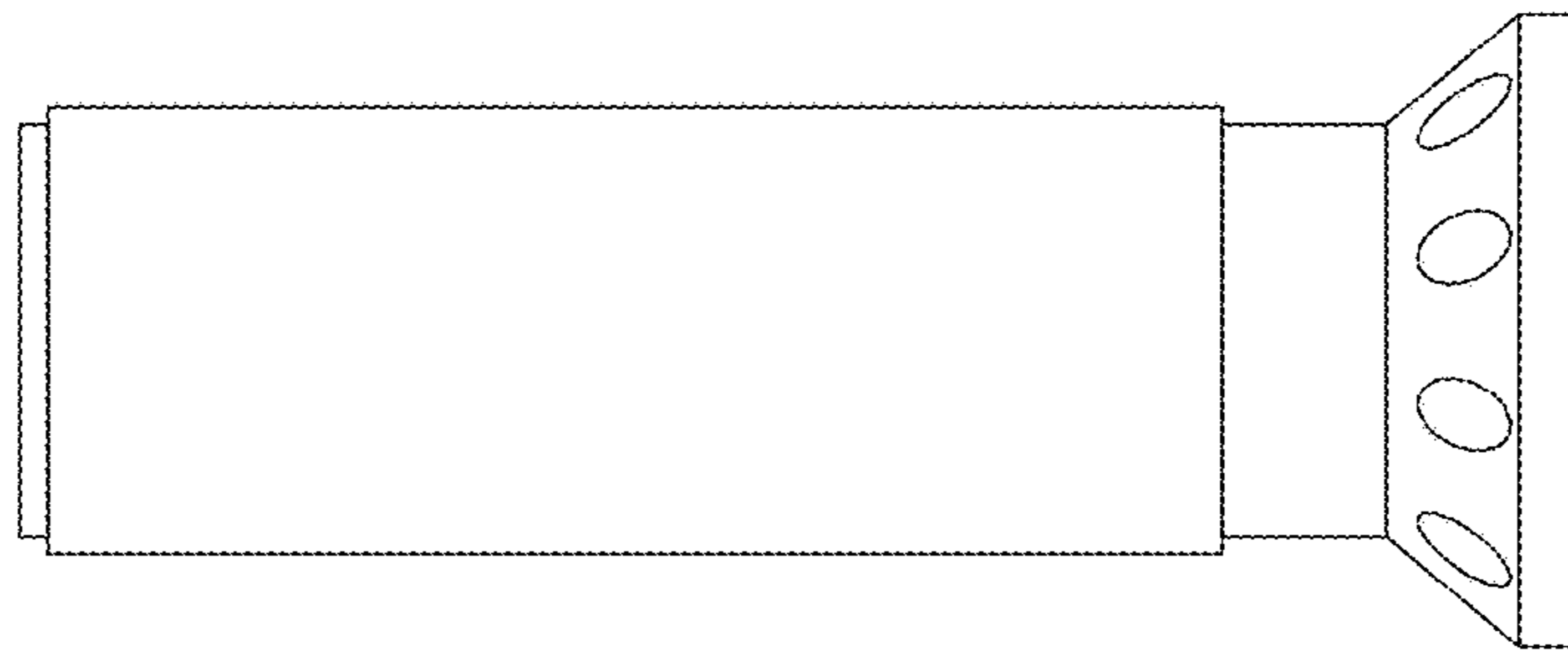


FIG. 1

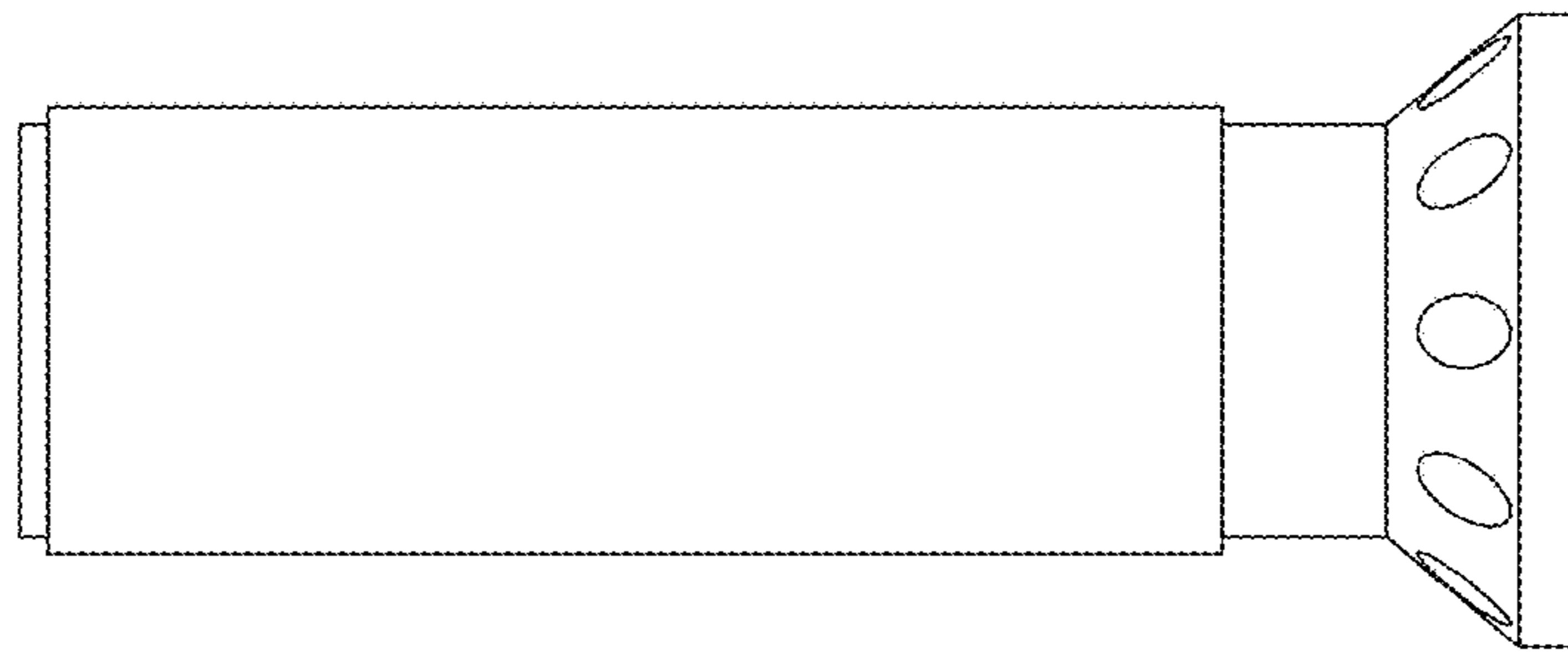
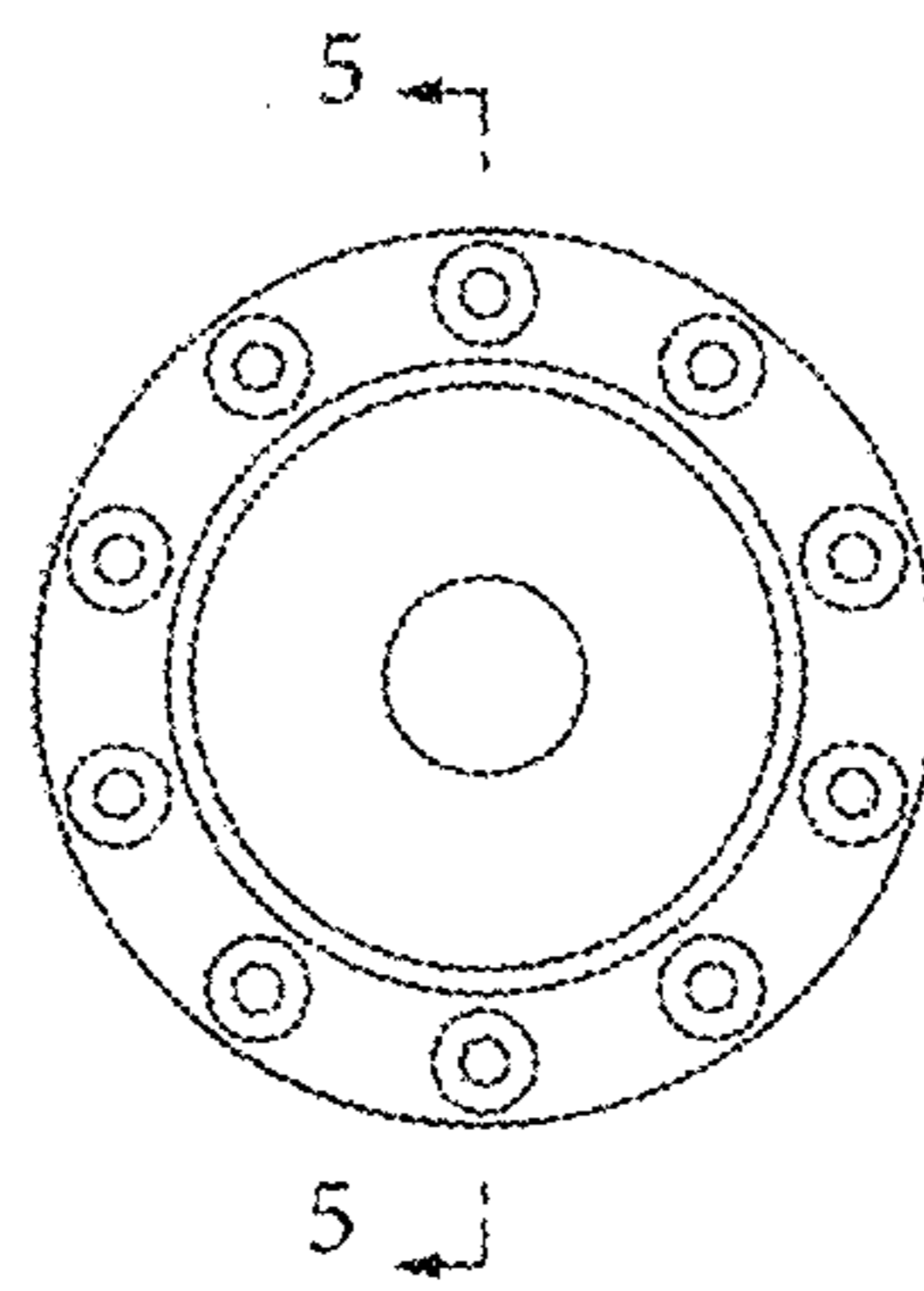


FIG. 2

FIG. 3



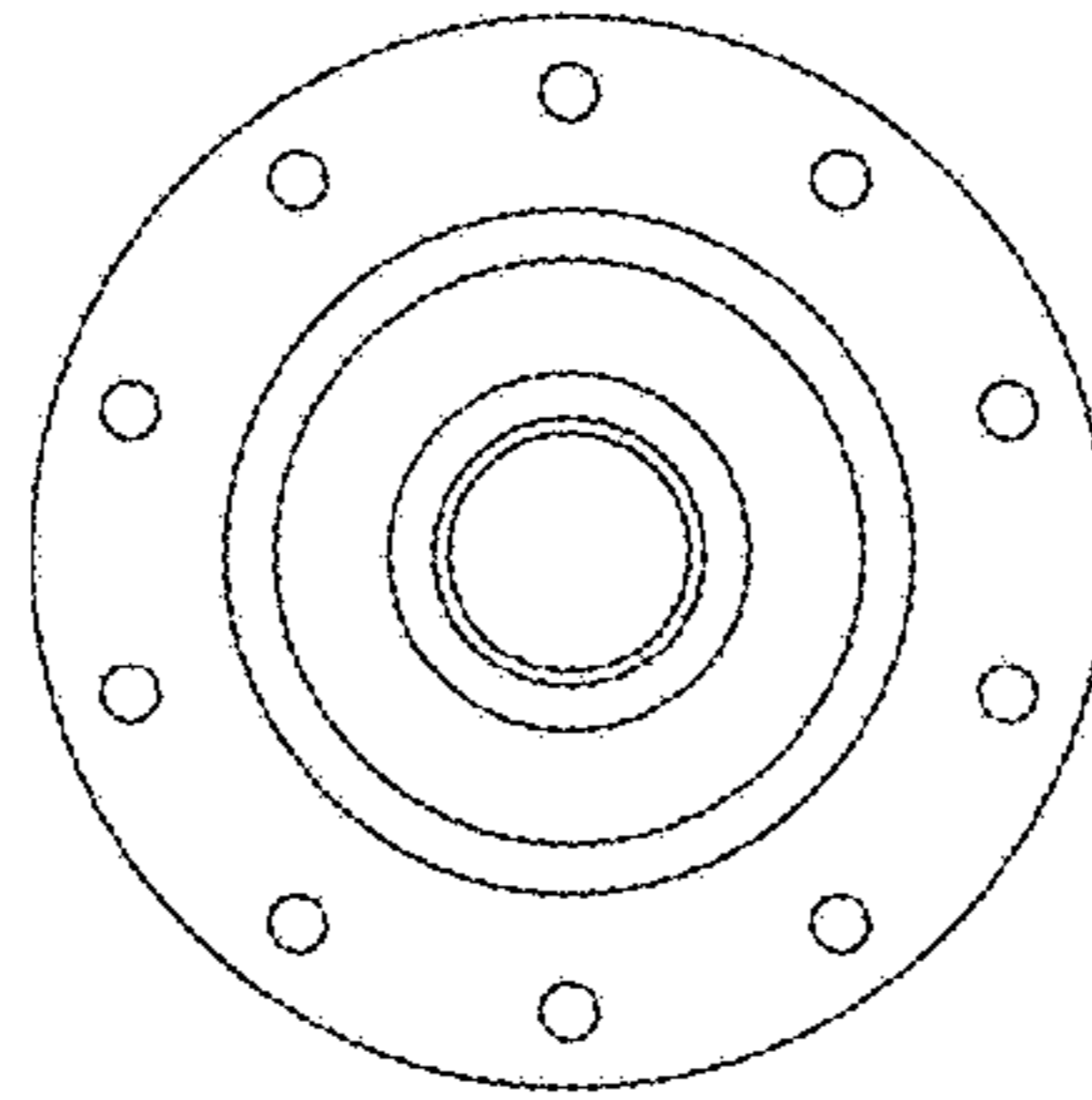


FIG. 4

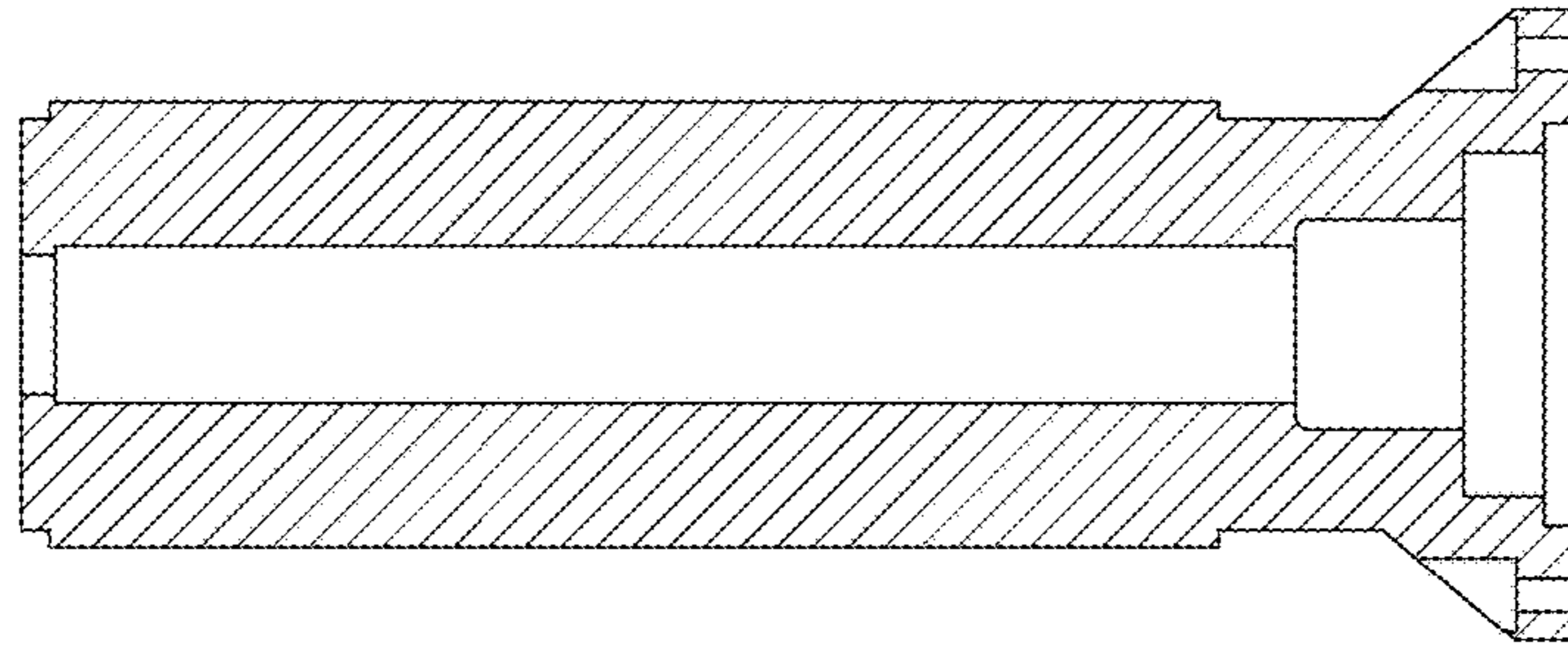


FIG. 5

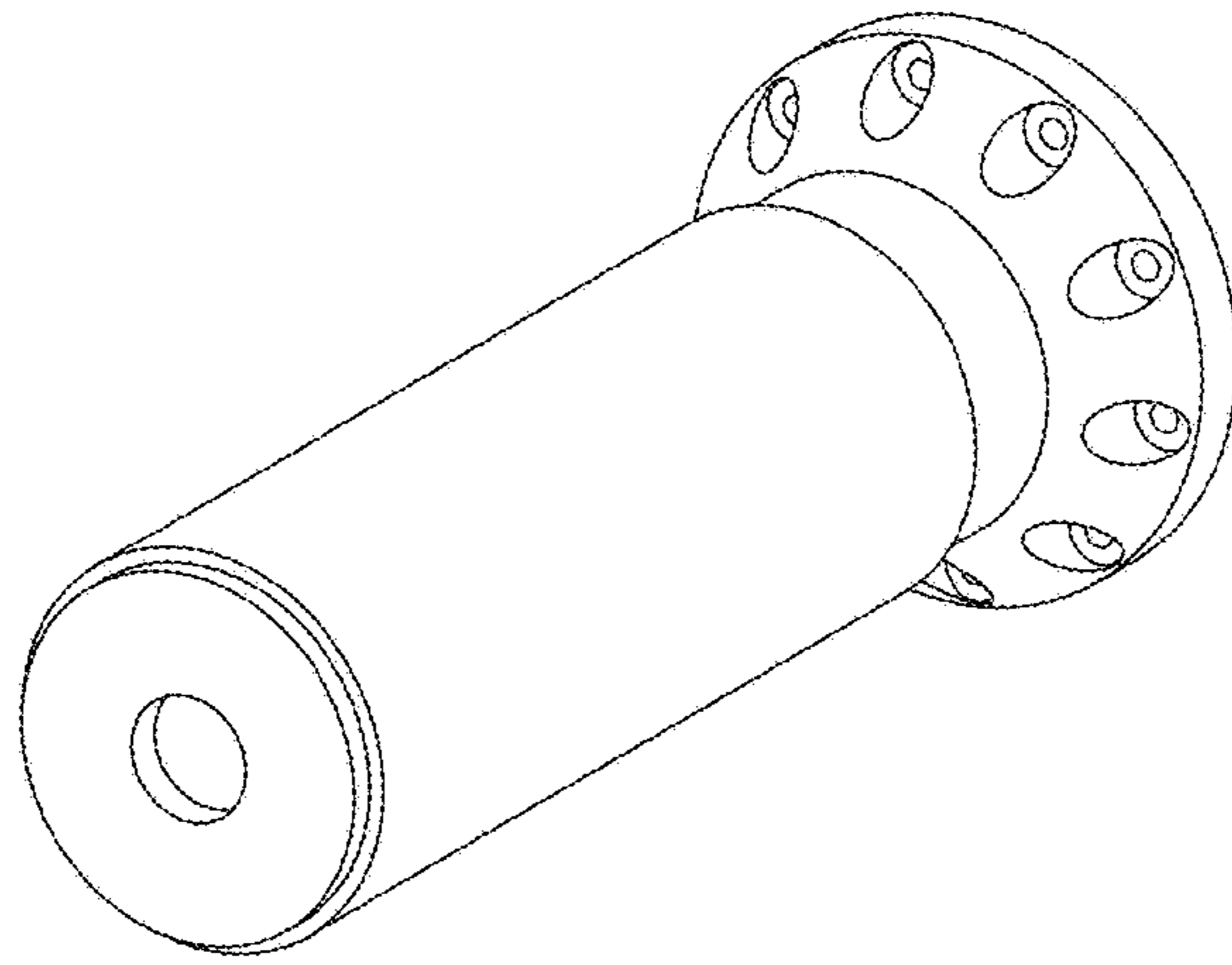


FIG. 6

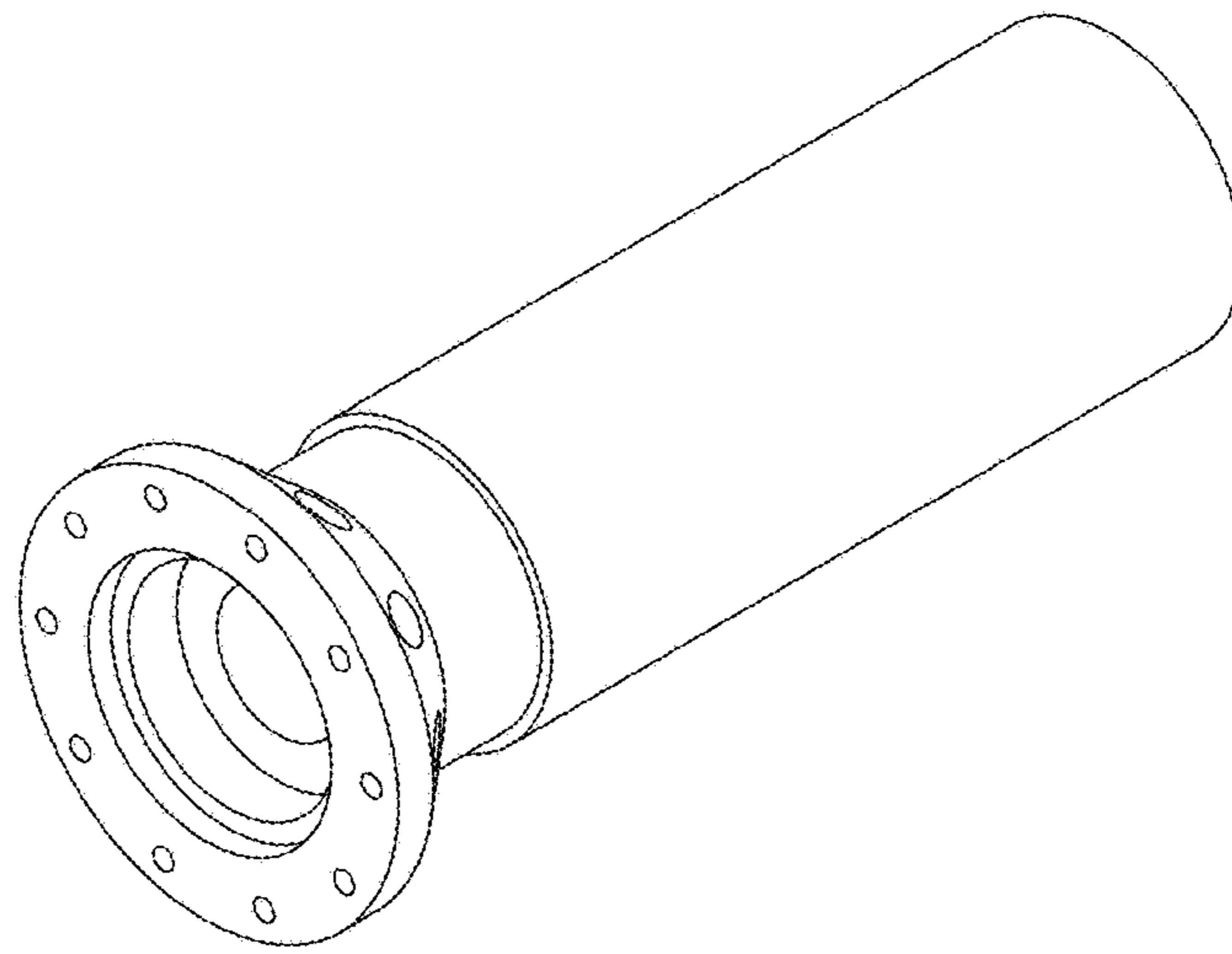


FIG. 7