



US00D849682S

(12) **United States Design Patent**
Dou et al.

(10) **Patent No.:** **US D849,682 S**
(45) **Date of Patent:** **** May 28, 2019**

(54) **BASE STATION FOR ROBOT**
(71) Applicant: **BEIJING XIAOMI MOBILE SOFTWARE CO., LTD.**, Haidian District, Beijing (CN)
(72) Inventors: **Wenbo Dou**, Beijing (CN); **Ningning Li**, Beijing (CN)
(73) Assignee: **BEIJING XIAOMI MOBILE SOFTWARE CO., LTD.**, Beijing (CN)

(**) Term: **15 Years**

(21) Appl. No.: **29/615,918**

(22) Filed: **Aug. 31, 2017**

(51) **LOC (11) Cl.** **13-02**

(52) **U.S. Cl.**
USPC **D13/108**

(58) **Field of Classification Search**
USPC D13/107–110, 118–119, 184; D14/251, D14/253, 432, 434
CPC Y02E 60/12; Y02T 90/14; Y02T 90/122; Y02T 90/128; Y02T 90/163; H02J 7/025; H02J 7/0042; H02J 7/0044; H02J 7/0045; H02J 7/0003; H01F 38/14; H01R 13/6675; H01M 2/1022; H01M 2/1055; H01M 10/44; H01M 10/46; H01M 10/425; B60L 11/182
See application file for complete search history.

(56) **References Cited**

U.S. PATENT DOCUMENTS

6,748,297 B2 * 6/2004 Song A47L 9/2805 15/319
D510,066 S * 9/2005 Hickey D13/108
7,332,890 B2 * 2/2008 Cohen A47L 9/2857 320/109

D639,735 S * 6/2011 Lee D13/108
D675,154 S * 1/2013 Nam D13/108
D698,310 S * 1/2014 Yun D13/108
D782,412 S * 3/2017 Kim D13/108
D818,433 S * 5/2018 Ebrahimi Afrouzi D13/108
D818,950 S * 5/2018 Ebrahimi Afrouzi D13/108
D818,951 S * 5/2018 Ebrahimi Afrouzi D13/108
2004/0158357 A1 * 8/2004 Lee B60L 11/1833 700/258
2008/0174268 A1 * 7/2008 Koo A47L 9/2805 320/109
2012/0086389 A1 * 4/2012 Li A47L 9/2805 320/107

* cited by examiner

Primary Examiner — Rosemary K Tarcaza
Assistant Examiner — Nathaniel D. Buckner
(74) *Attorney, Agent, or Firm* — Dickinson Wright PLLC

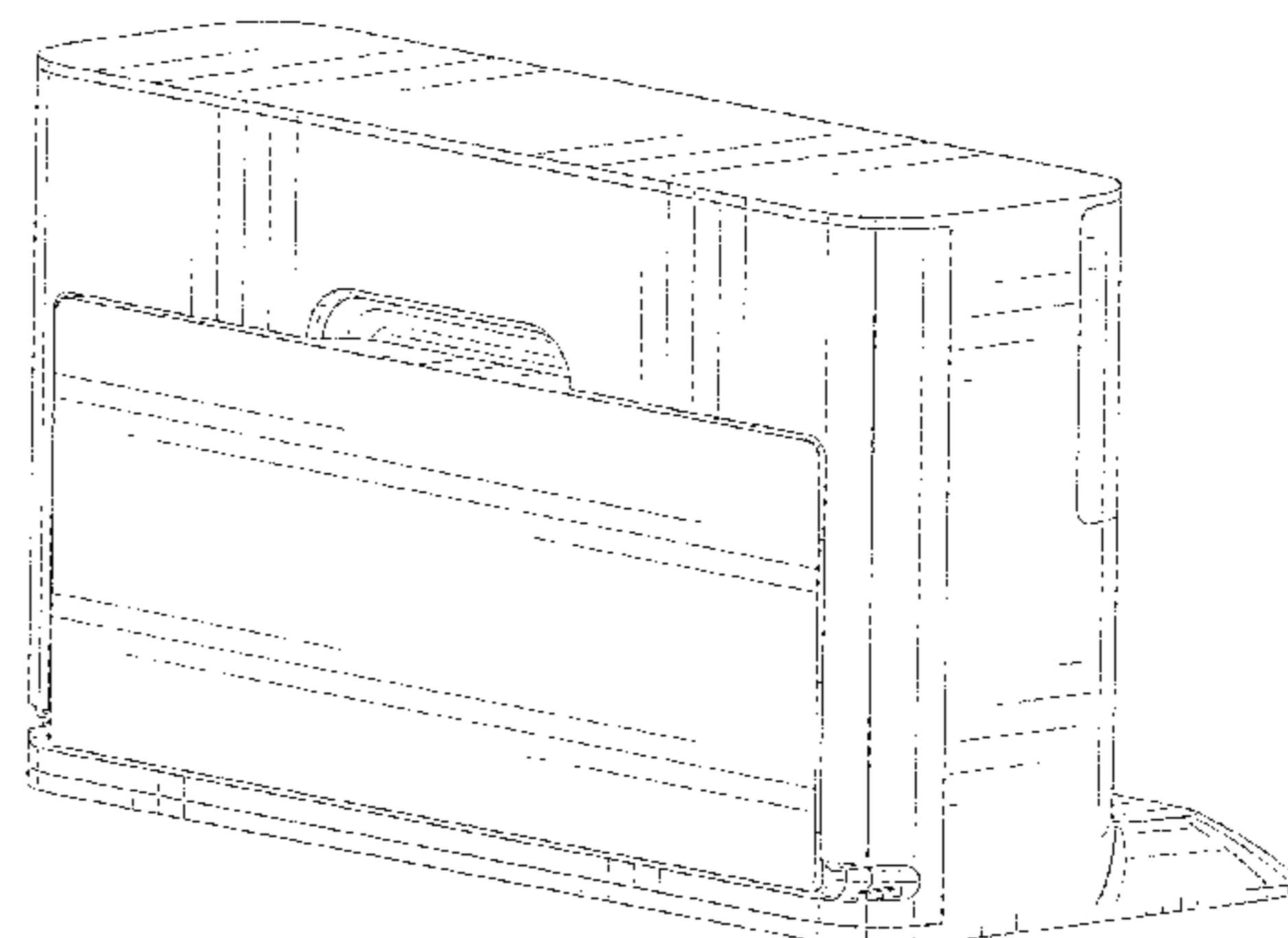
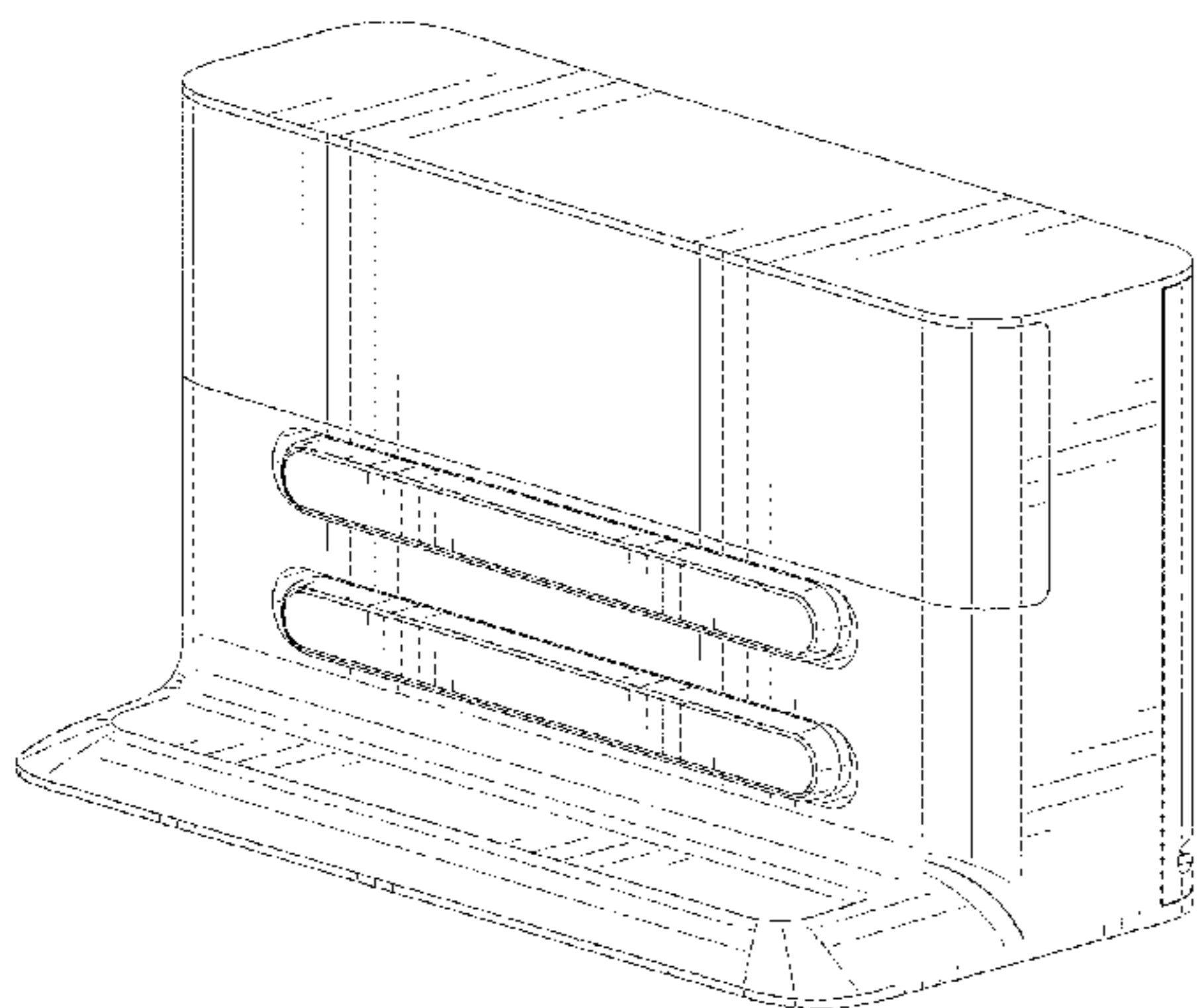
(57) **CLAIM**

The ornamental design for a base station for robot, as shown and described.

DESCRIPTION

FIG. 1 is a front view of a base station for robot of the new design;
FIG. 2 is a back view of the base station for robot;
FIG. 3 is a left view of the base station for robot;
FIG. 4 is a right view of the base station for robot;
FIG. 5 is a top view of the base station for robot;
FIG. 6 is a bottom view of the base station for robot;
FIG. 7 is a perspective view of the base station for robot;
FIG. 8 is another perspective view of the base station for robot; and,
FIG. 9 is a top left perspective view shown in an environment of use.
The broken lines in the figures depict environmental structure which forms no part of the claimed design.

1 Claim, 9 Drawing Sheets



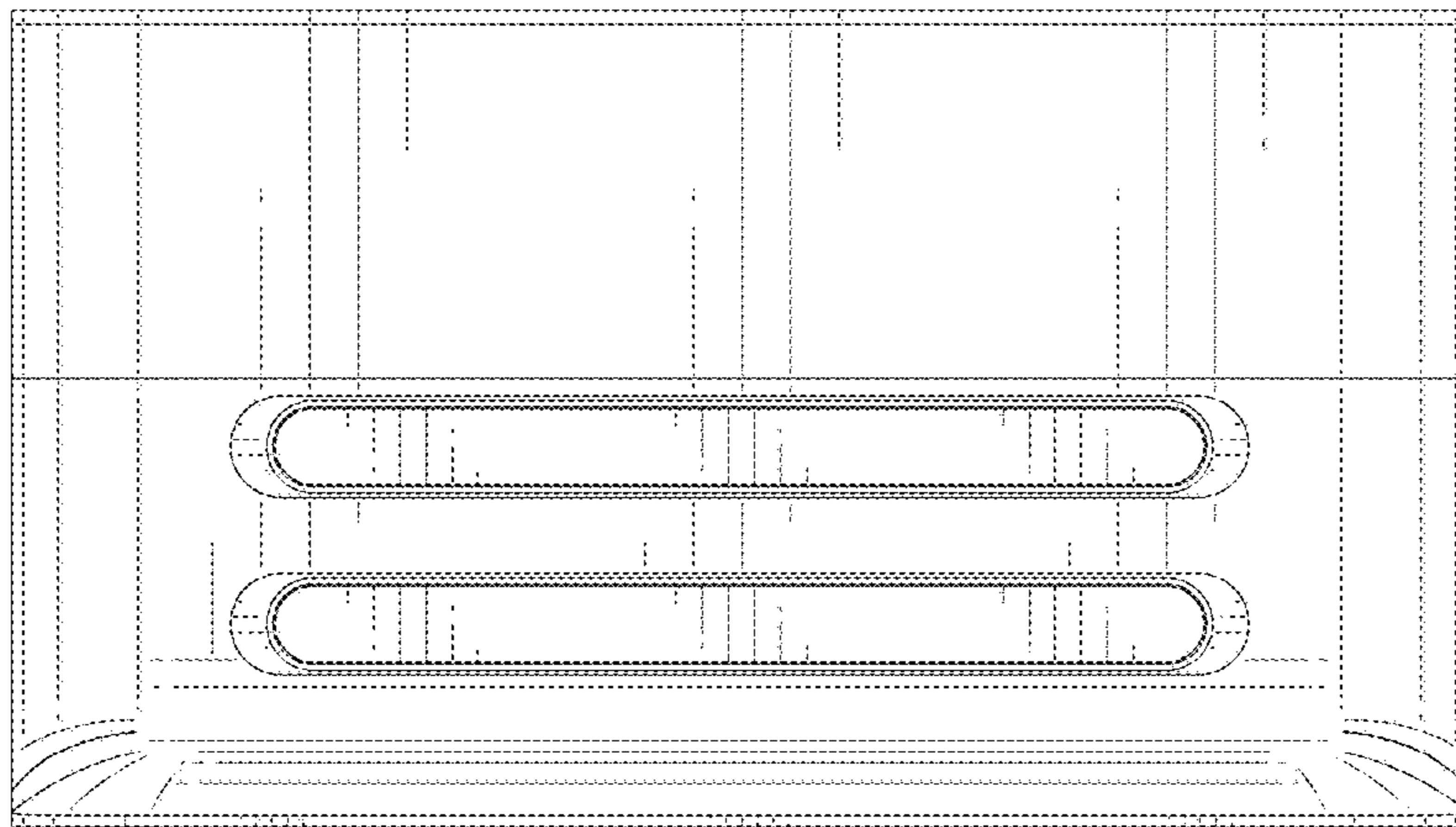


Fig.1

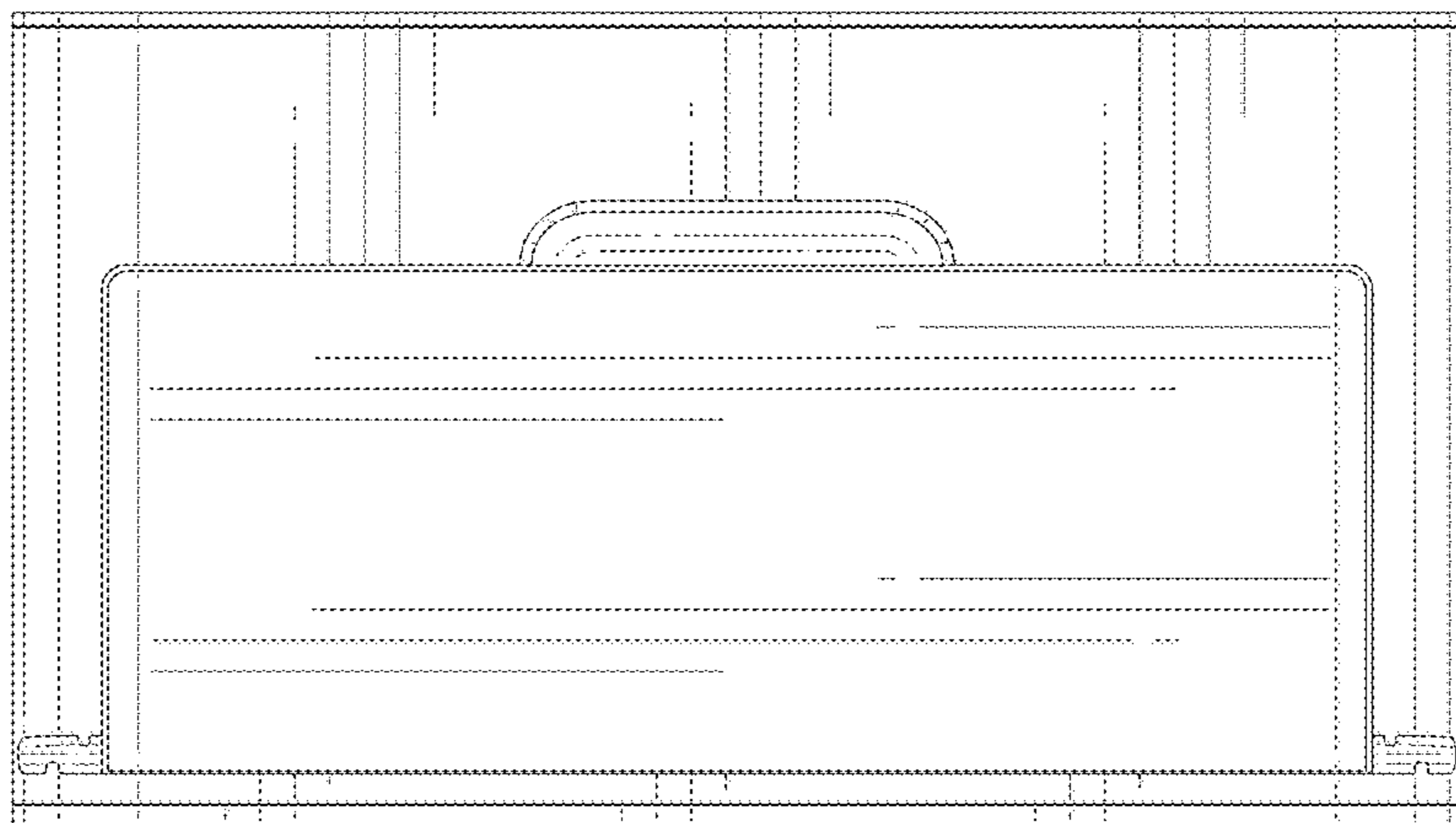


Fig.2

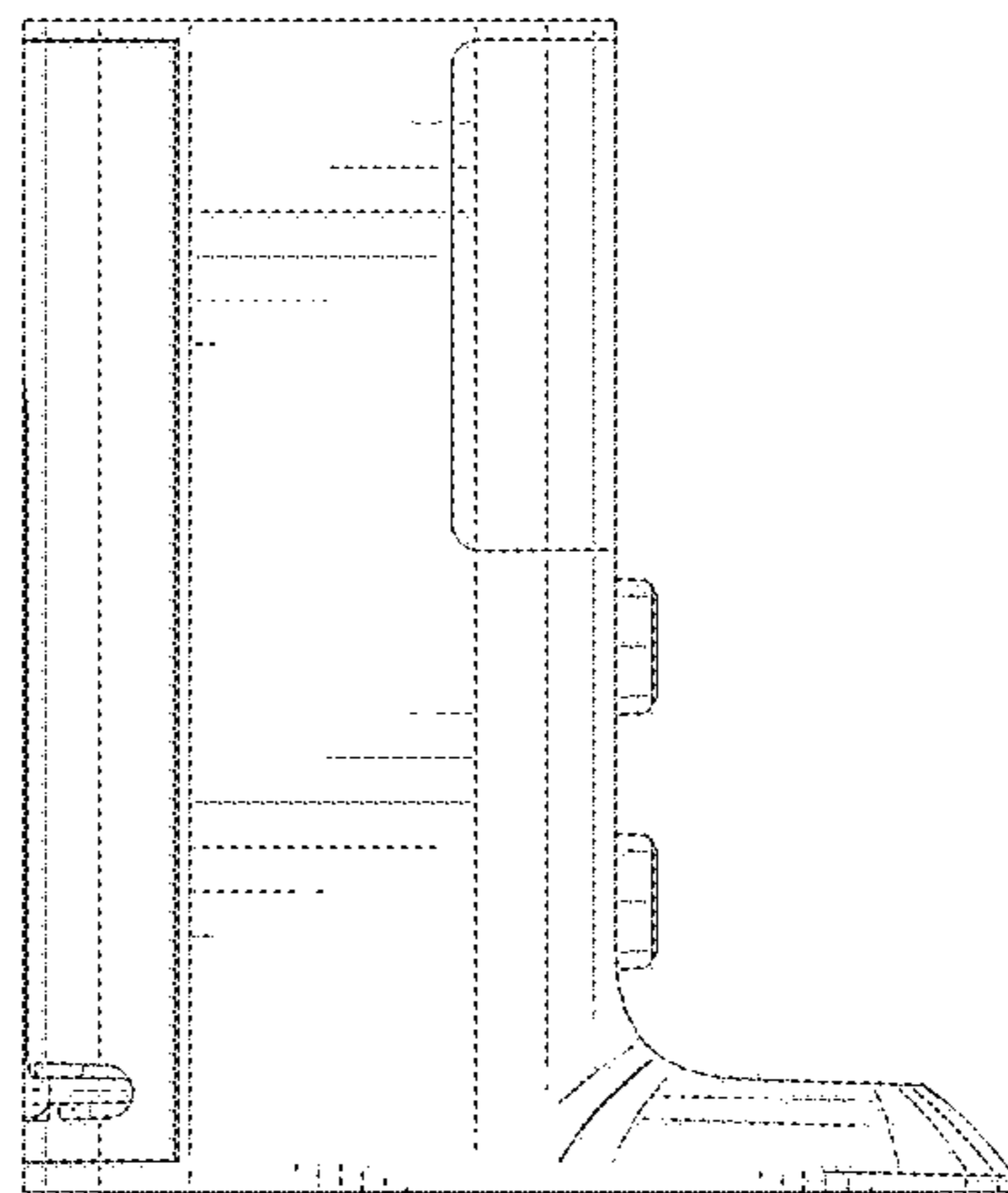


Fig.3

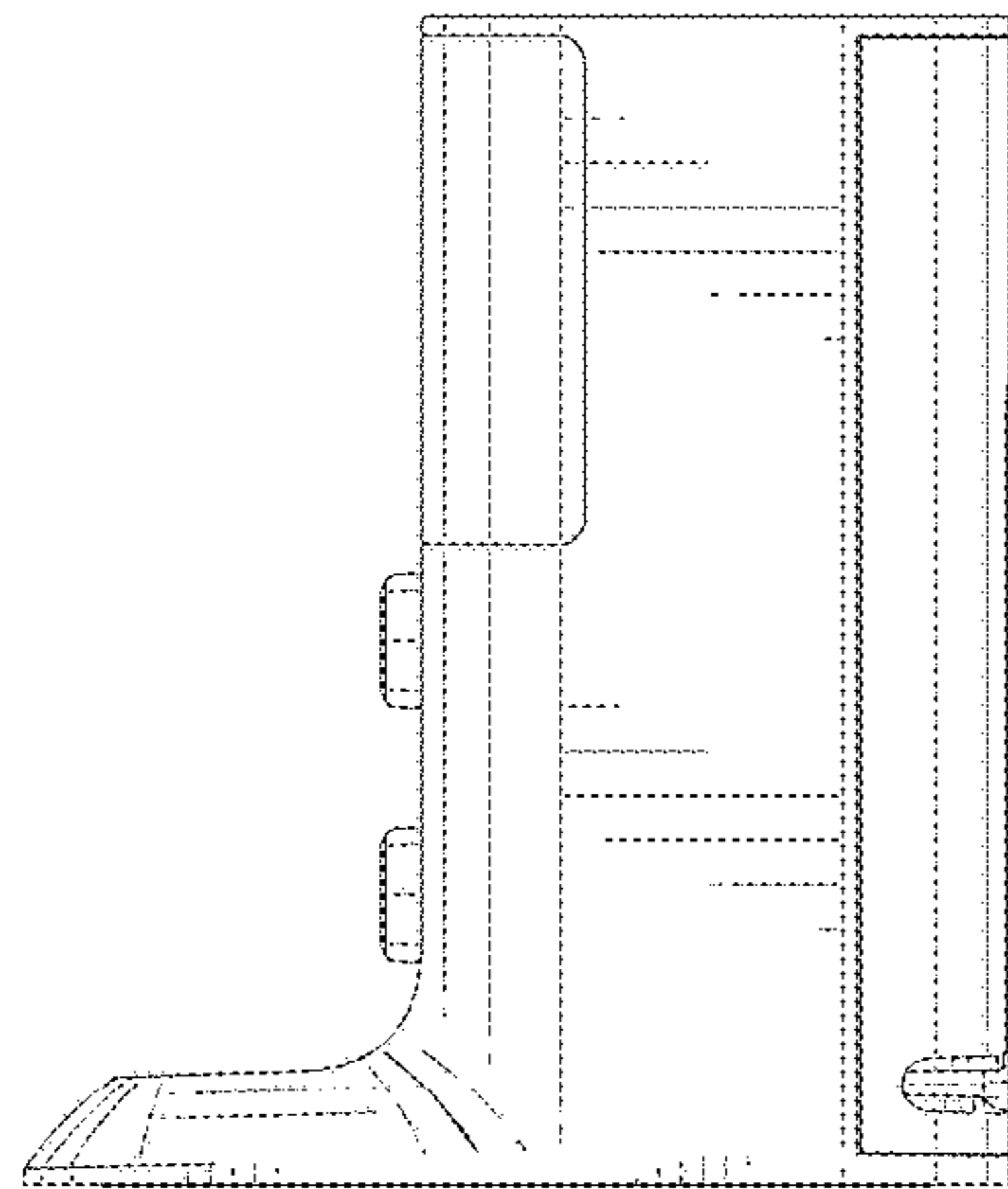


Fig.4

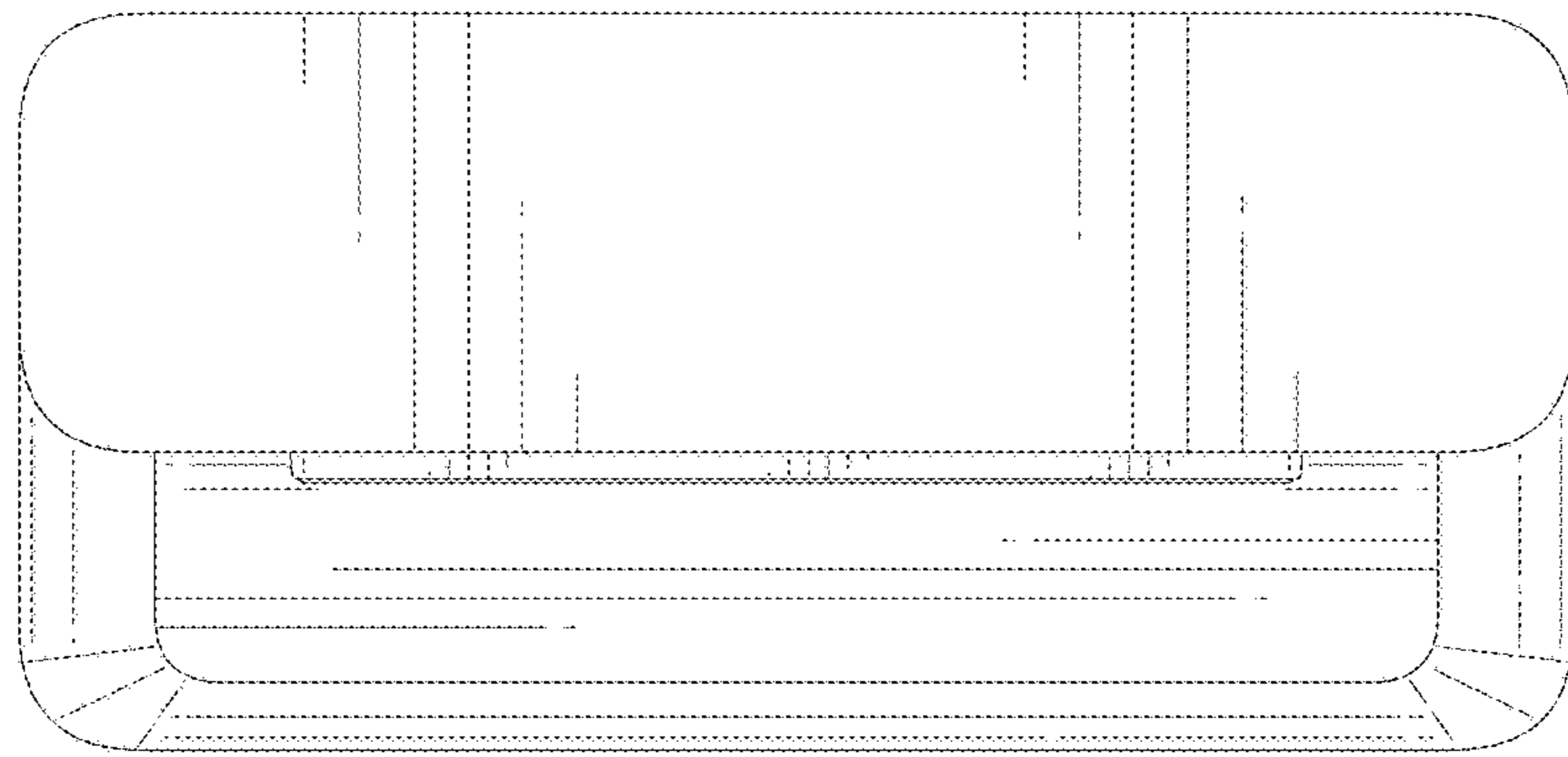


Fig.5

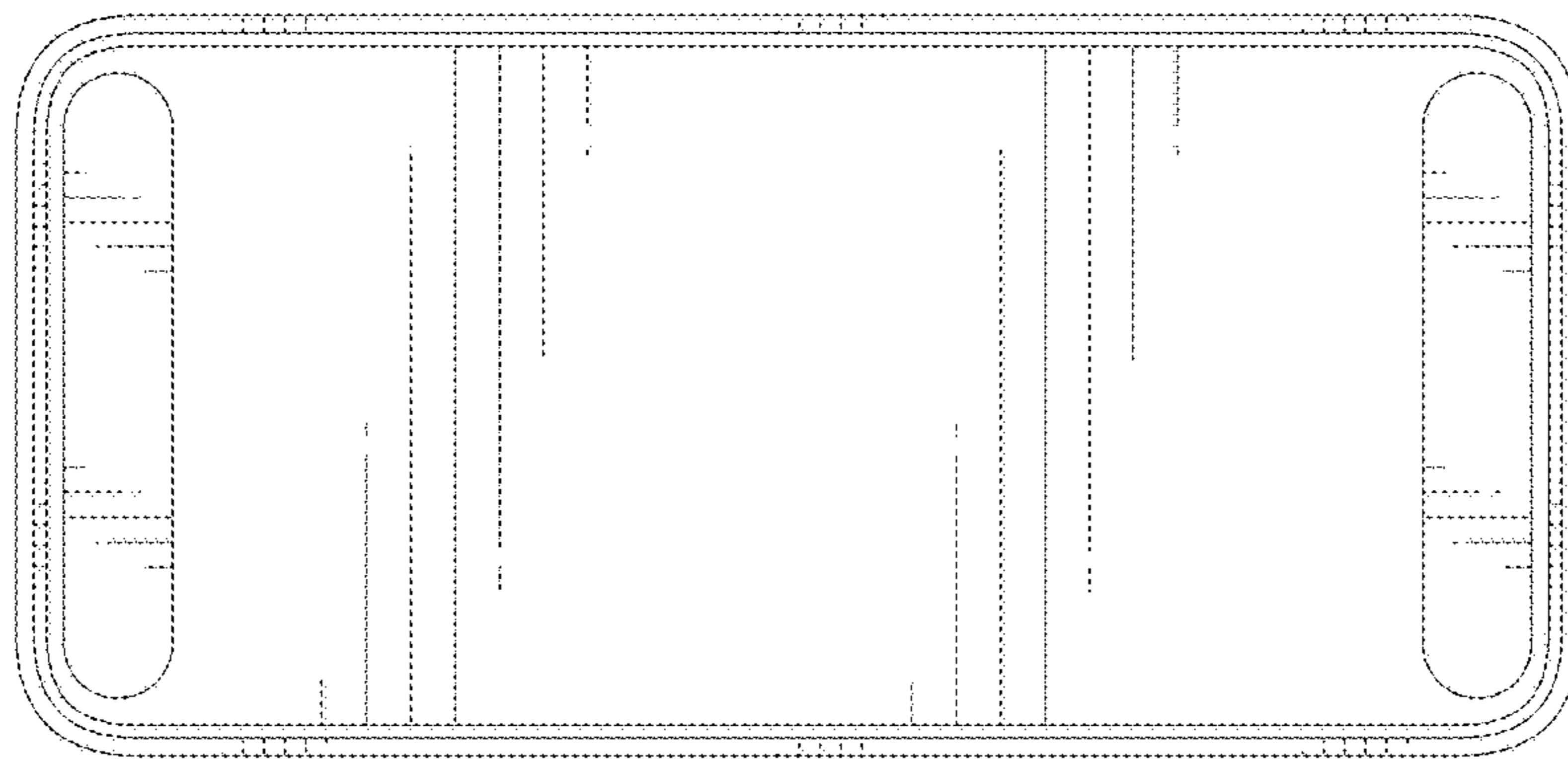


Fig.6

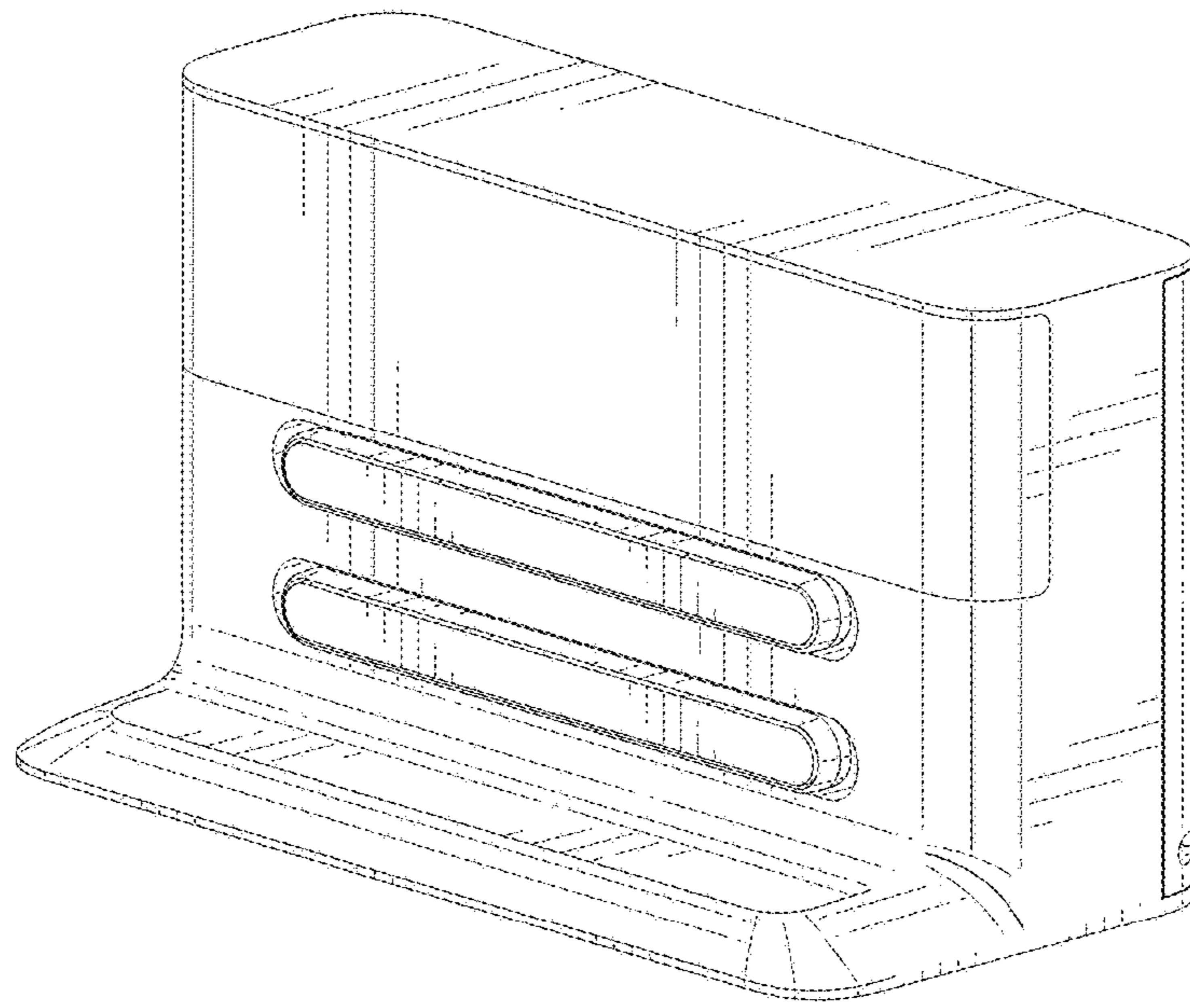


Fig.7

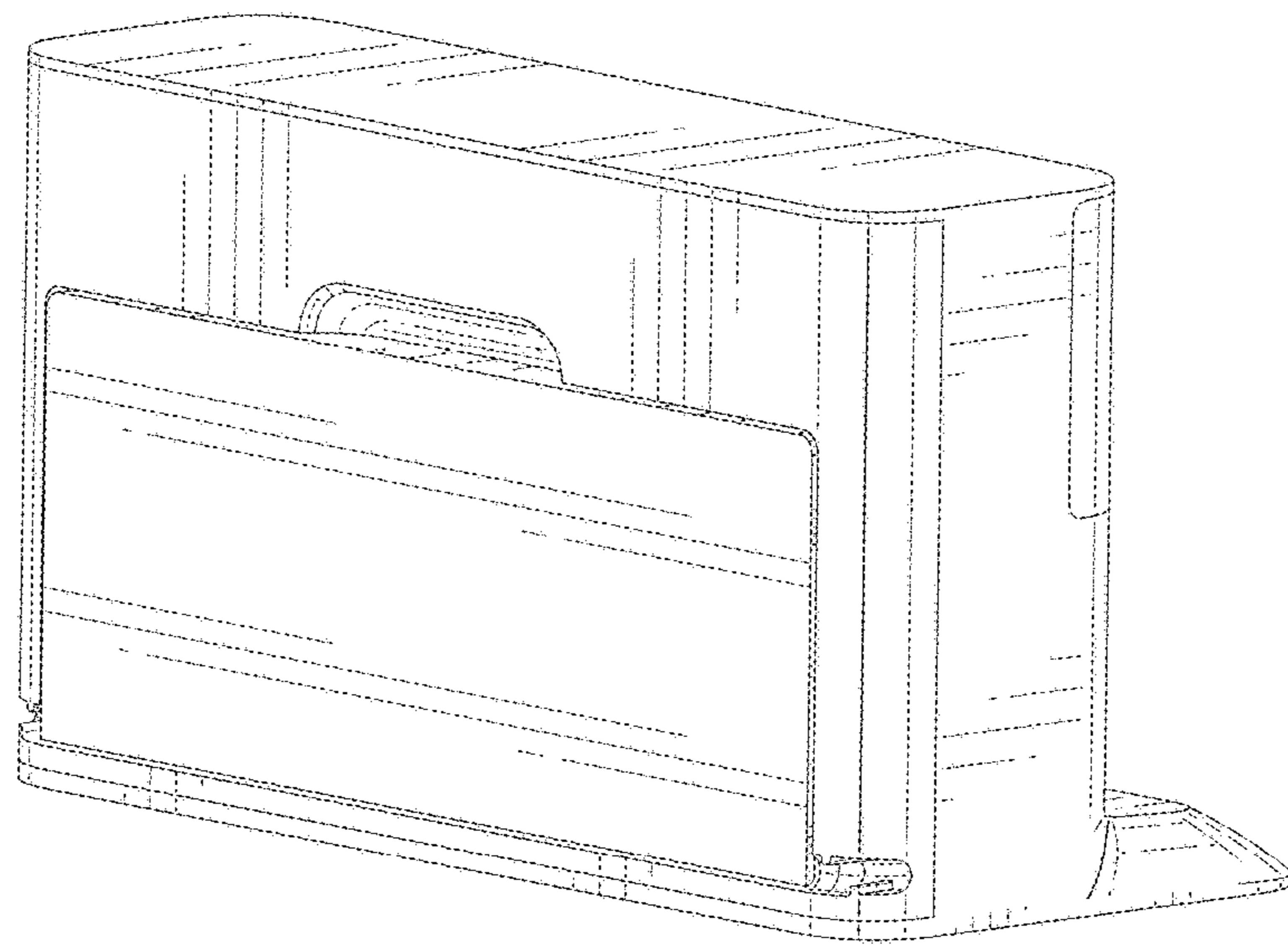


Fig.8

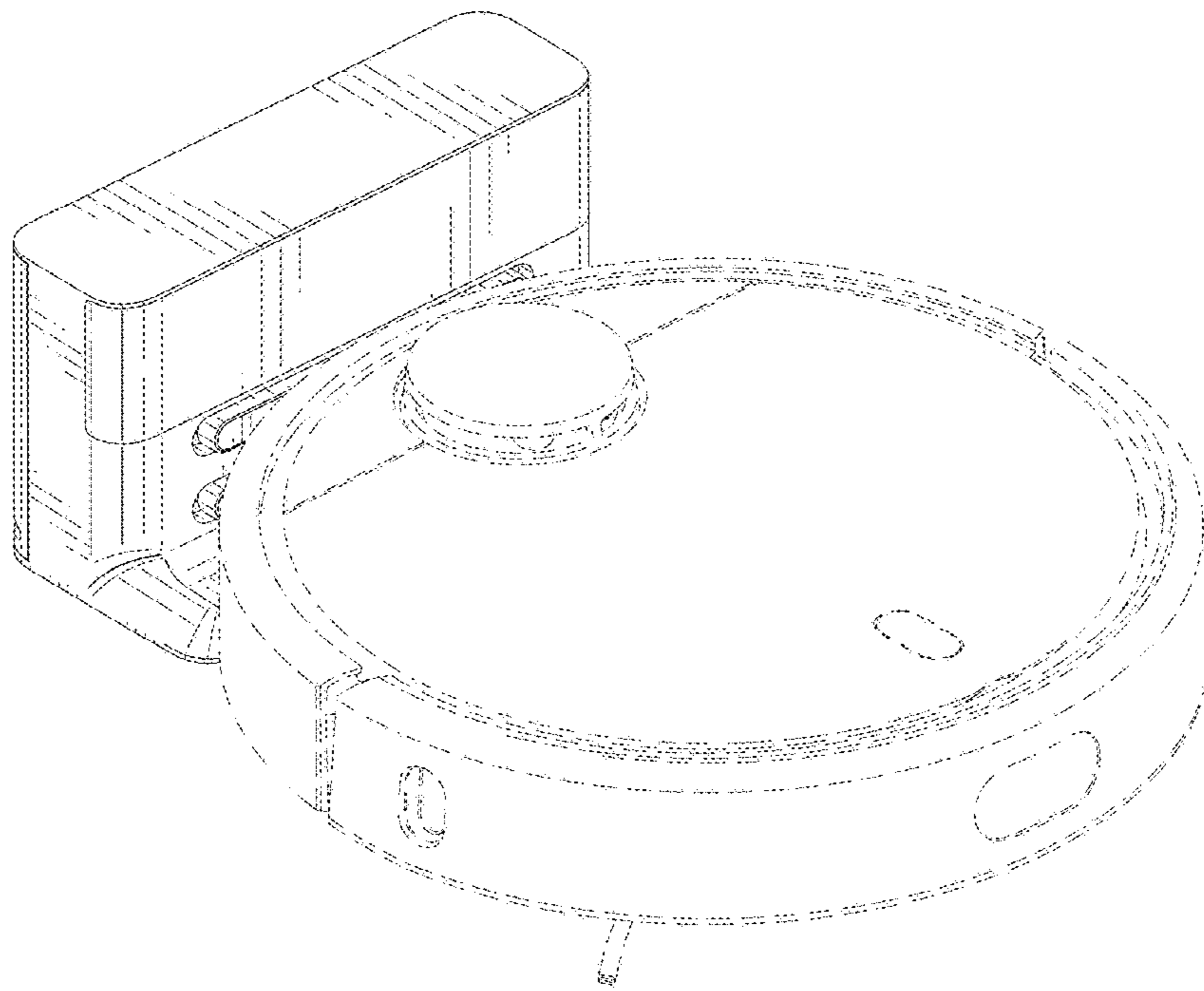


Fig.9