



US00D849680S

(12) **United States Design Patent**  
**Nakashima**

(10) **Patent No.:** **US D849,680 S**

(45) **Date of Patent:** **\*\* May 28, 2019**

(54) **RECHARGEABLE BATTERY**

(71) Applicant: **Sony Corporation**, Tokyo (JP)

(72) Inventor: **Masaharu Nakashima**, Kanagawa (JP)

(73) Assignee: **SONY CORPORATION**, Tokyo (JP)

(\*\*) Term: **15 Years**

(21) Appl. No.: **29/585,724**

(22) Filed: **Nov. 28, 2016**

**Related U.S. Application Data**

(63) Continuation of application No. 29/466,238, filed on Sep. 5, 2013, now Pat. No. Des. 772,804.

(51) **LOC (11) Cl.** ..... **13-02**

(52) **U.S. Cl.**  
USPC ..... **D13/103**

(58) **Field of Classification Search**  
USPC ..... D13/103, 110, 108, 119, 191; D14/204, D14/480.6; 429/96, 94, 97, 159, 163, 429/176; 320/106, 112, 113  
CPC ..... H01M 2/10; H01M 10/44  
See application file for complete search history.

(56) **References Cited**

**U.S. PATENT DOCUMENTS**

D236,492 S	8/1975	Helgesson	
4,288,733 A	9/1981	Bilanceri et al.	
4,680,527 A	7/1987	Benenati et al.	
4,829,226 A *	5/1989	Nakamura	H02J 7/0042 320/112
D306,851 S	3/1990	Weimann	
D355,887 S	2/1995	Rodeffer et al.	
D358,365 S	5/1995	Rodeffer et al.	
D377,477 S	1/1997	Harata et al.	
5,626,979 A	5/1997	Mitsui et al.	
5,686,808 A *	11/1997	Lutz	H01M 10/44 320/106
D414,159 S *	9/1999	Deslyper	D13/103
D417,187 S	11/1999	Maeyama	

D417,188 S	11/1999	Maeyama
D417,861 S	12/1999	Maeyama
D425,479 S	5/2000	Melnicoff
D428,384 S	7/2000	Maeyama

(Continued)

*Primary Examiner* — Paula Allen Greene

(74) *Attorney, Agent, or Firm* — Michael Best and Friedrich LLP

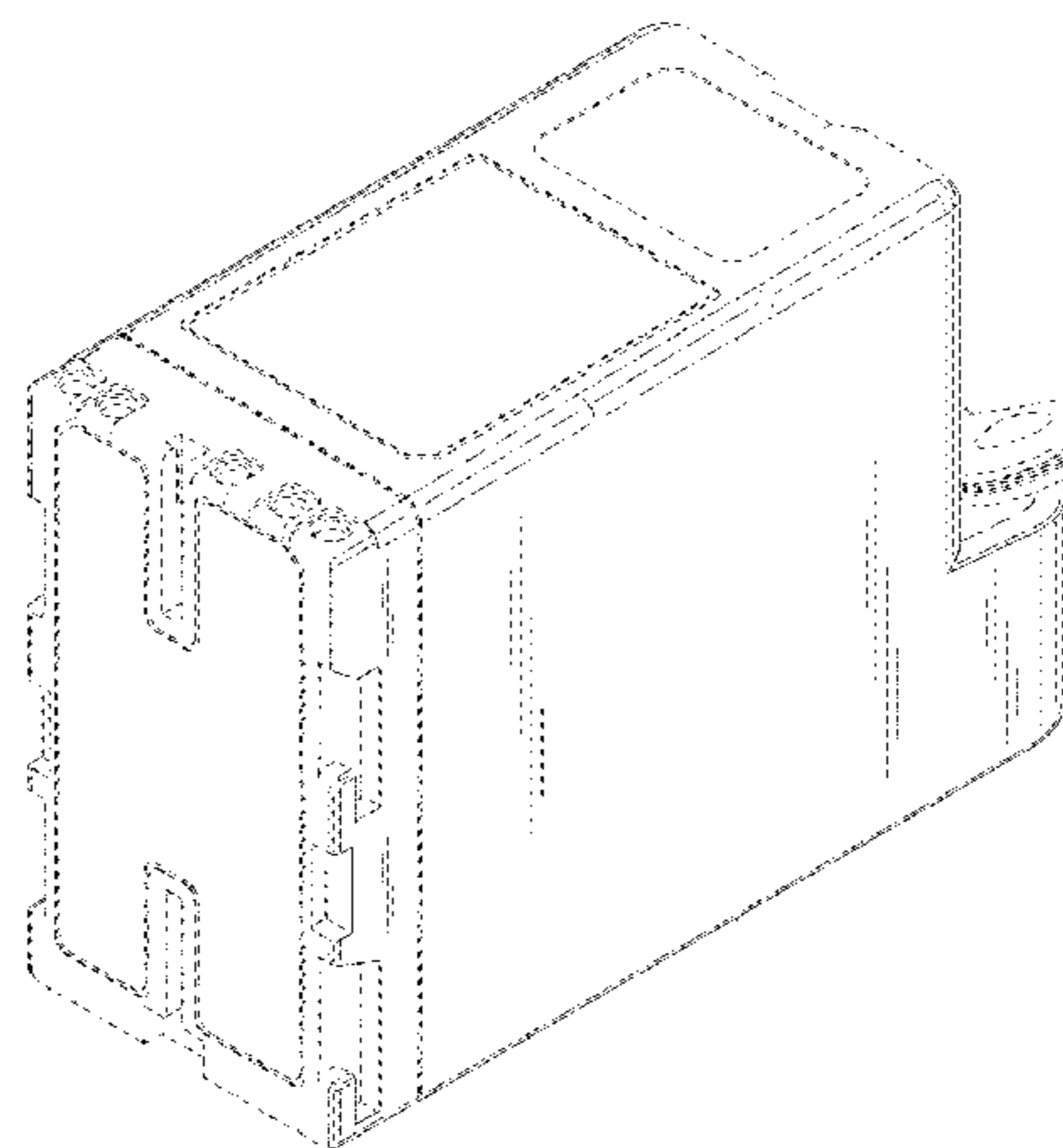
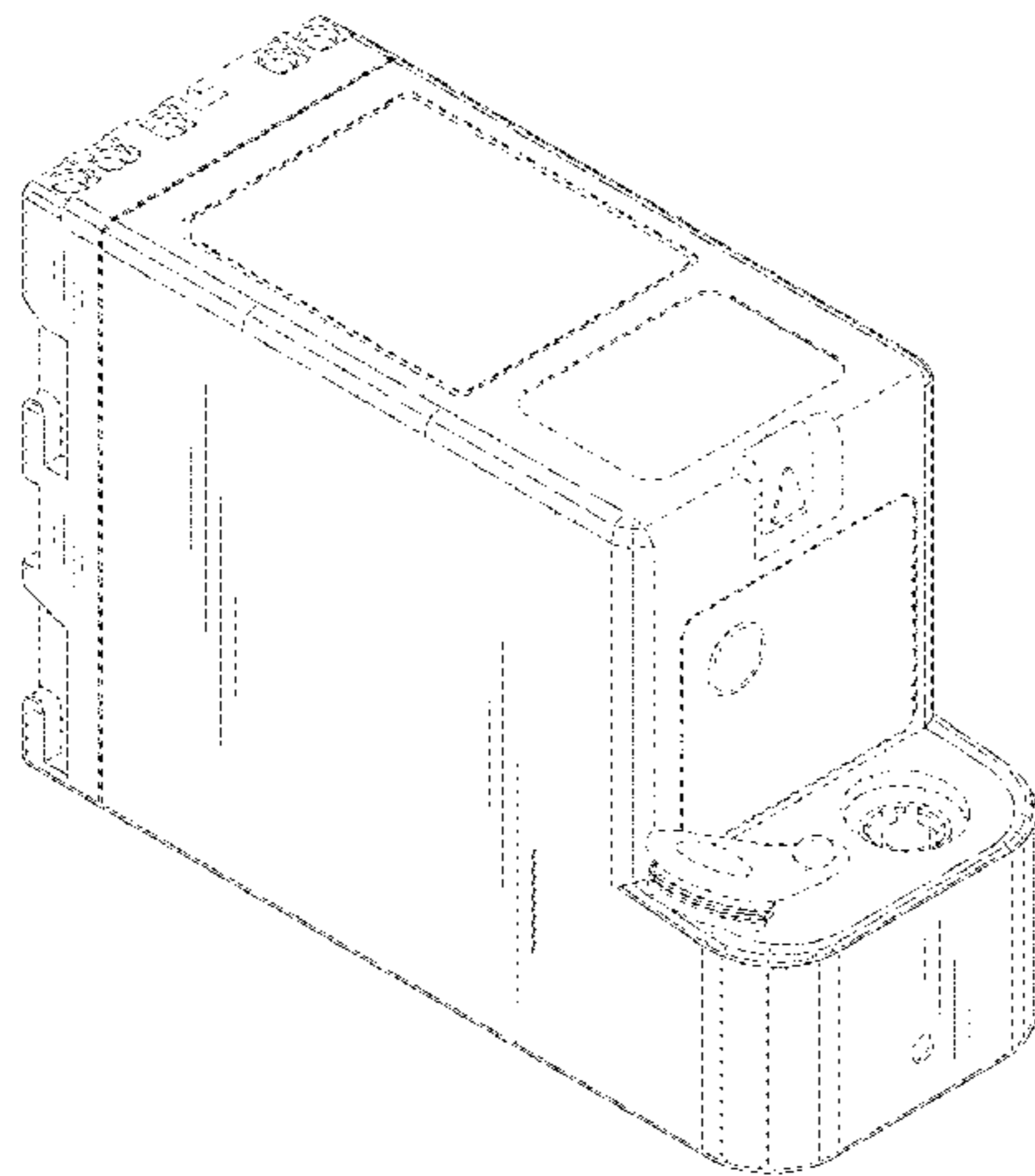
(57) **CLAIM**

The ornamental design for a rechargeable battery, as shown and described.

**DESCRIPTION**

FIG. 1 is a front, top, left perspective view of a rechargeable battery showing my new design;  
 FIG. 2 is a rear, top, left perspective view thereof;  
 FIG. 3 is a front elevational view thereof; and  
 FIG. 4 is a top plan view thereof.  
 FIG. 5 is a rear elevational view thereof;  
 FIG. 6 is a left side elevational view thereof;  
 FIG. 7 is a right side elevational view thereof; and  
 FIG. 8 is a bottom plan view thereof.  
 FIG. 9 is a front, top, left perspective view of a second embodiment of a rechargeable battery showing my new design;  
 FIG. 10 is a rear, top, left perspective view thereof;  
 FIG. 11 is a front elevational view thereof;  
 FIG. 12 is a rear elevational view thereof;  
 FIG. 13 is a left side elevational view thereof;  
 FIG. 14 is a right side elevational view thereof;  
 FIG. 15 is a top plan view thereof; and  
 FIG. 16 is a bottom plan view thereof.  
 The even-dash broken lines form no part of the claimed design. The dot-dash broken lines that define the boundaries of the claimed design form no part of the claimed design.

**1 Claim, 16 Drawing Sheets**



(56)

References Cited

U.S. PATENT DOCUMENTS

6,251,370 B1 *	6/2001	Uchida	.....	A61B 17/00491			
				424/445			
D446,183 S	8/2001	Miyashita					
D457,132 S	5/2002	Petherbridge et al.					
6,521,370 B1	2/2003	Takeshita et al.					
D480,682 S *	10/2003	Kawase	.....	D13/103			
D487,250 S *	3/2004	Kikutani	.....	D13/103			
D503,922 S	4/2005	Shimizu					
D515,499 S	2/2006	Matsuda et al.					
D524,242 S	7/2006	Adams et al.					
D553,561 S	10/2007	Maggert					
D556,680 S	12/2007	Matsumoto					
D560,159 S	1/2008	Matsumoto					
D568,244 S *	5/2008	Suzuki	.....	D13/119			
D568,807 S	5/2008	Suzuki et al.					
D577,710 S	9/2008	Joseph					
D584,224 S	1/2009	Mod et al.					
7,556,526 B2 *	7/2009	Ebine	.....	H01M 2/1066			
				320/114			
D623,124 S	9/2010	Nomi et al.					
D637,552 S	5/2011	Inman et al.					
D642,517 S	8/2011	Inman et al.					
D647,944 S *	11/2011	Jannard	.....	D13/103			
8,247,106 B2 *	8/2012	Takeshita	.....	H01M 2/1066			
				429/100			
D682,778 S *	5/2013	Baumgartner	.....	D13/103			
D685,729 S	7/2013	Lyman					
D686,569 S	7/2013	Lau					
D687,777 S	8/2013	Yonishi et al.					
D708,189 S *	7/2014	An	.....	D13/108			
D713,334 S	9/2014	Mao					
8,865,339 B2	10/2014	Enari et al.					
D725,590 S	3/2015	Clyne et al.					
D752,510 S	3/2016	Lin					
D772,804 S *	11/2016	Nakashima	.....	D13/103			
D780,111 S *	2/2017	Clyne	.....	D13/103			
2006/0281002 A1 *	12/2006	Aoki	.....	H01M 2/0215			
				429/99			
2014/0072850 A1	3/2014	Kwon et al.					
2015/0288021 A1	10/2015	Kwon et al.					

\* cited by examiner

FIG. 1

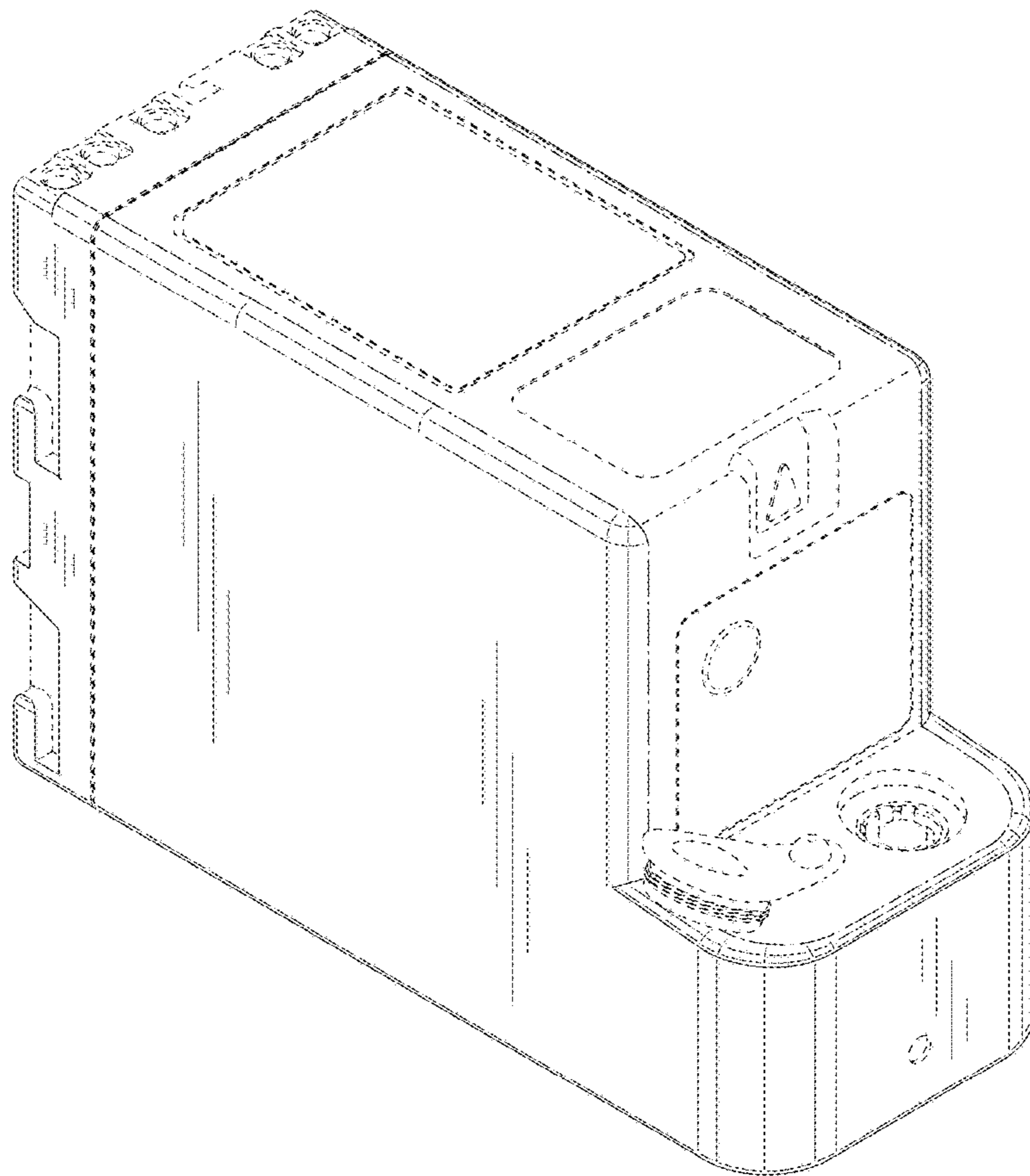


FIG. 2

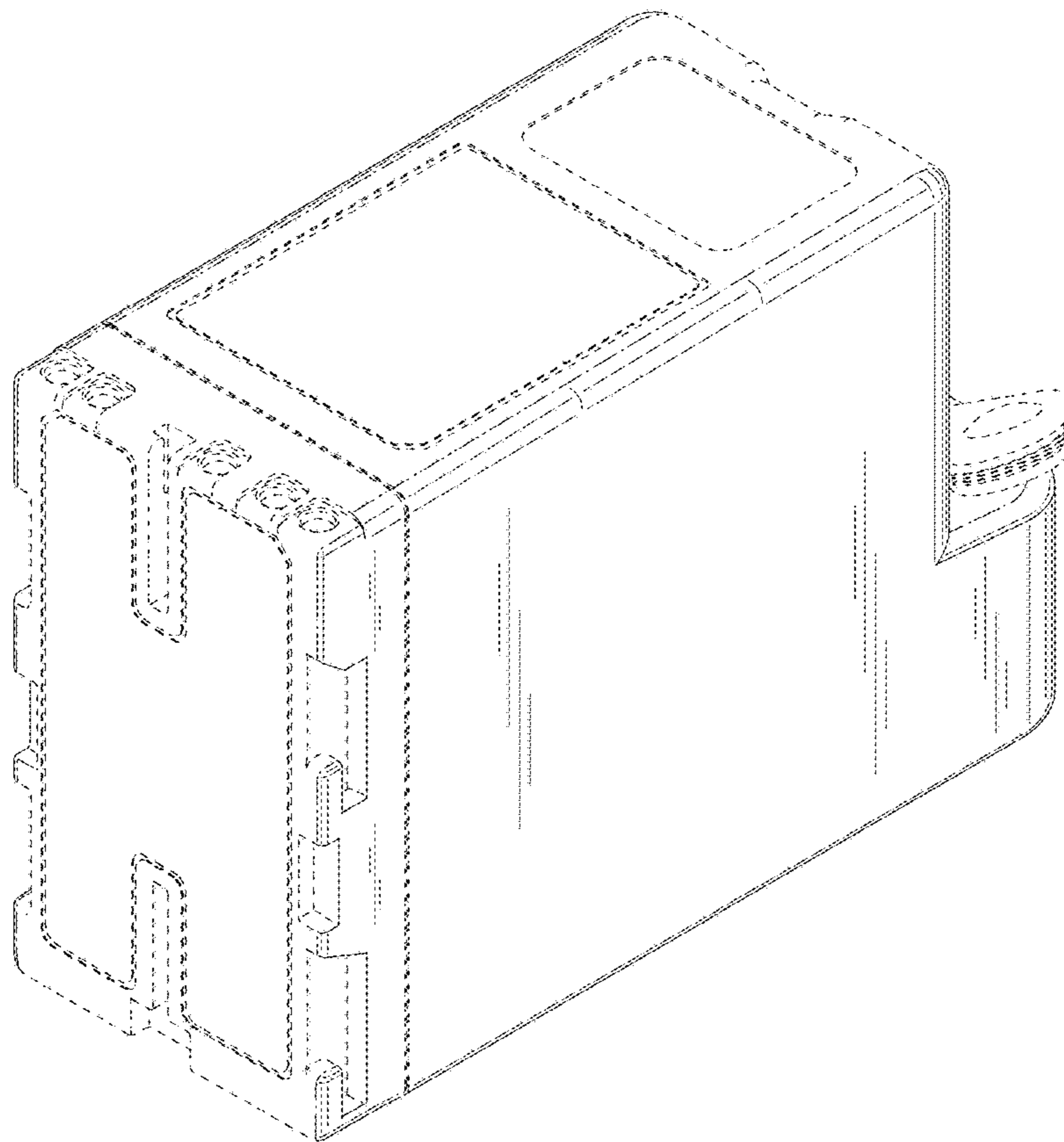


FIG. 3

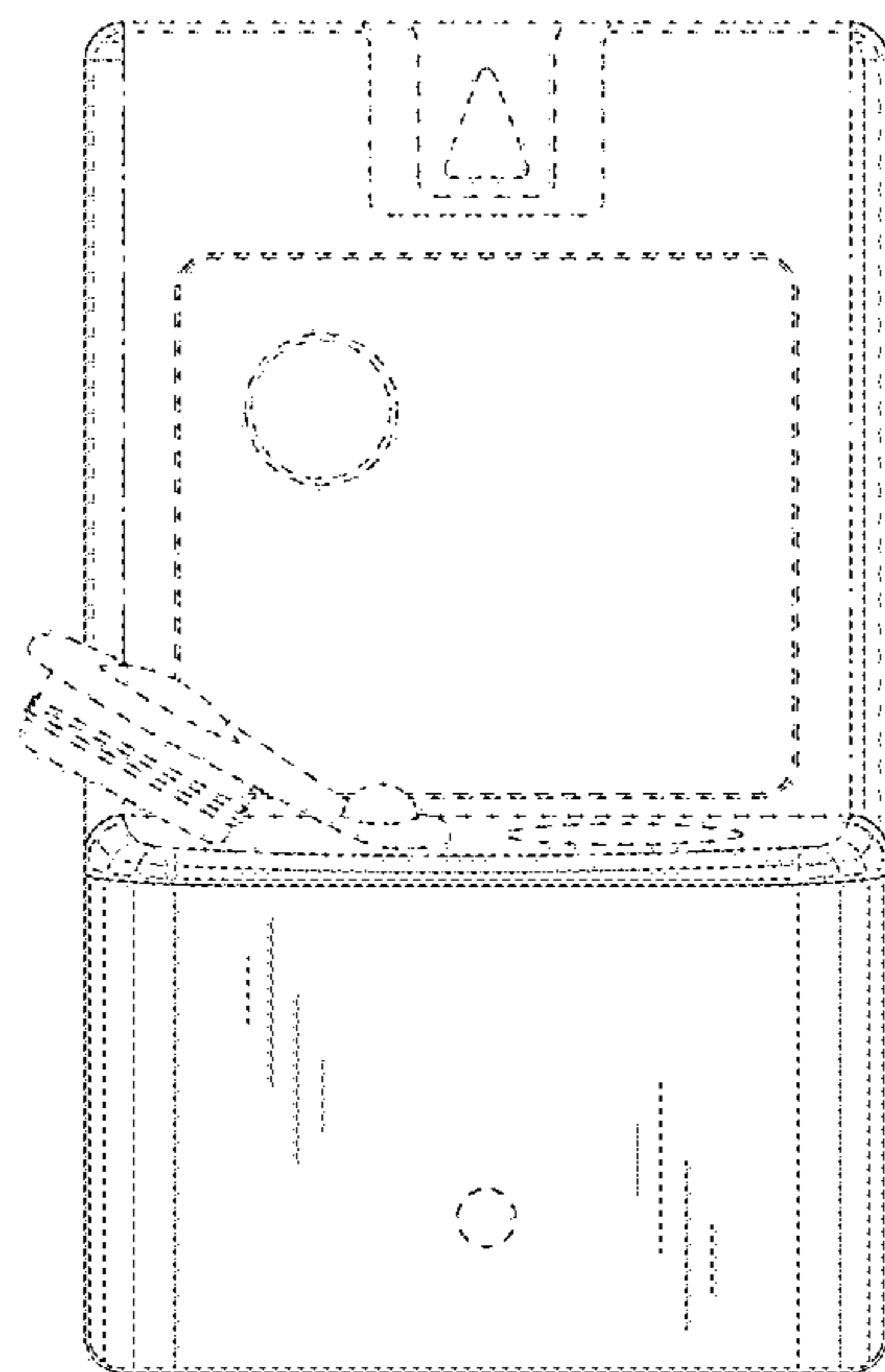


FIG. 4

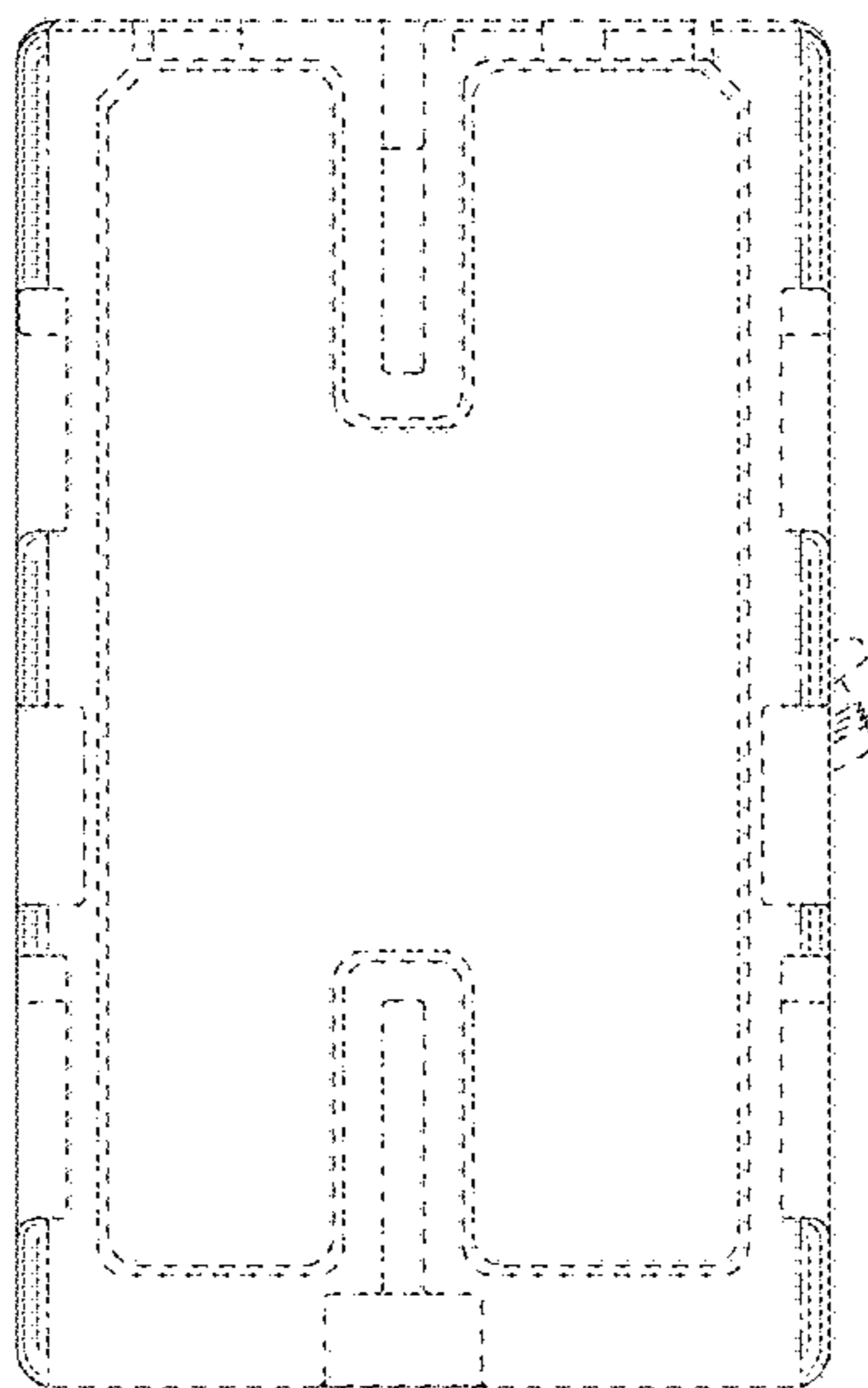


FIG. 5

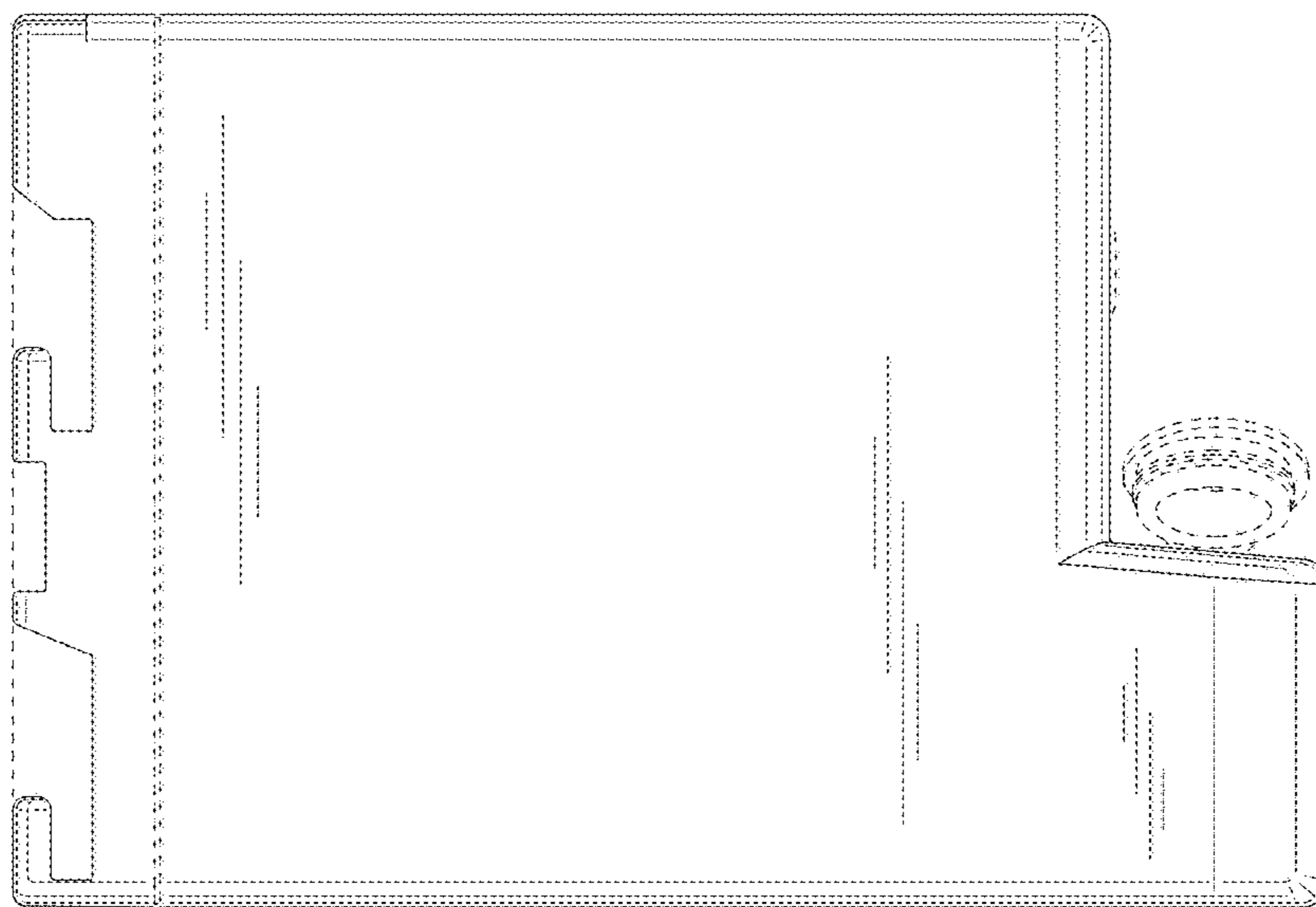


FIG. 6

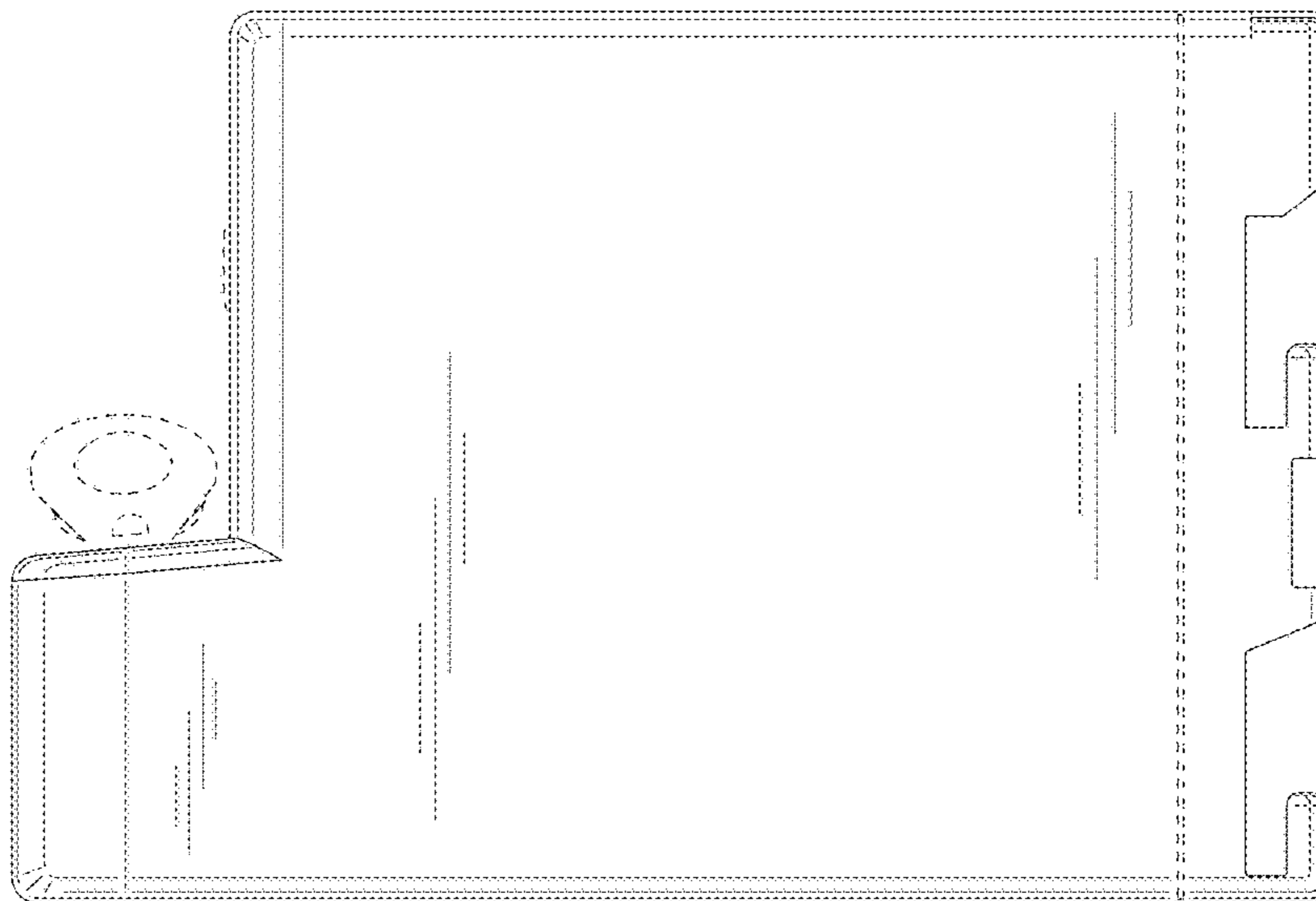




FIG. 7

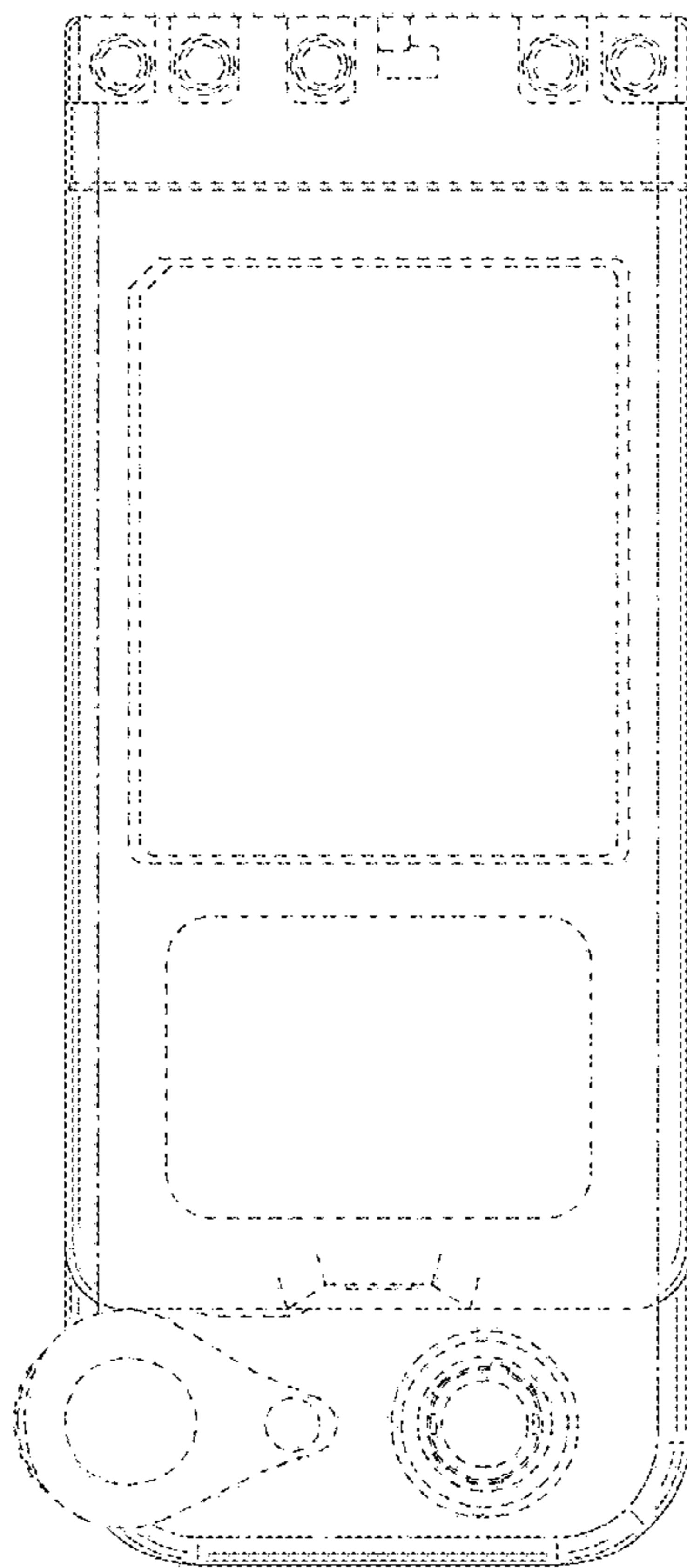


FIG. 8

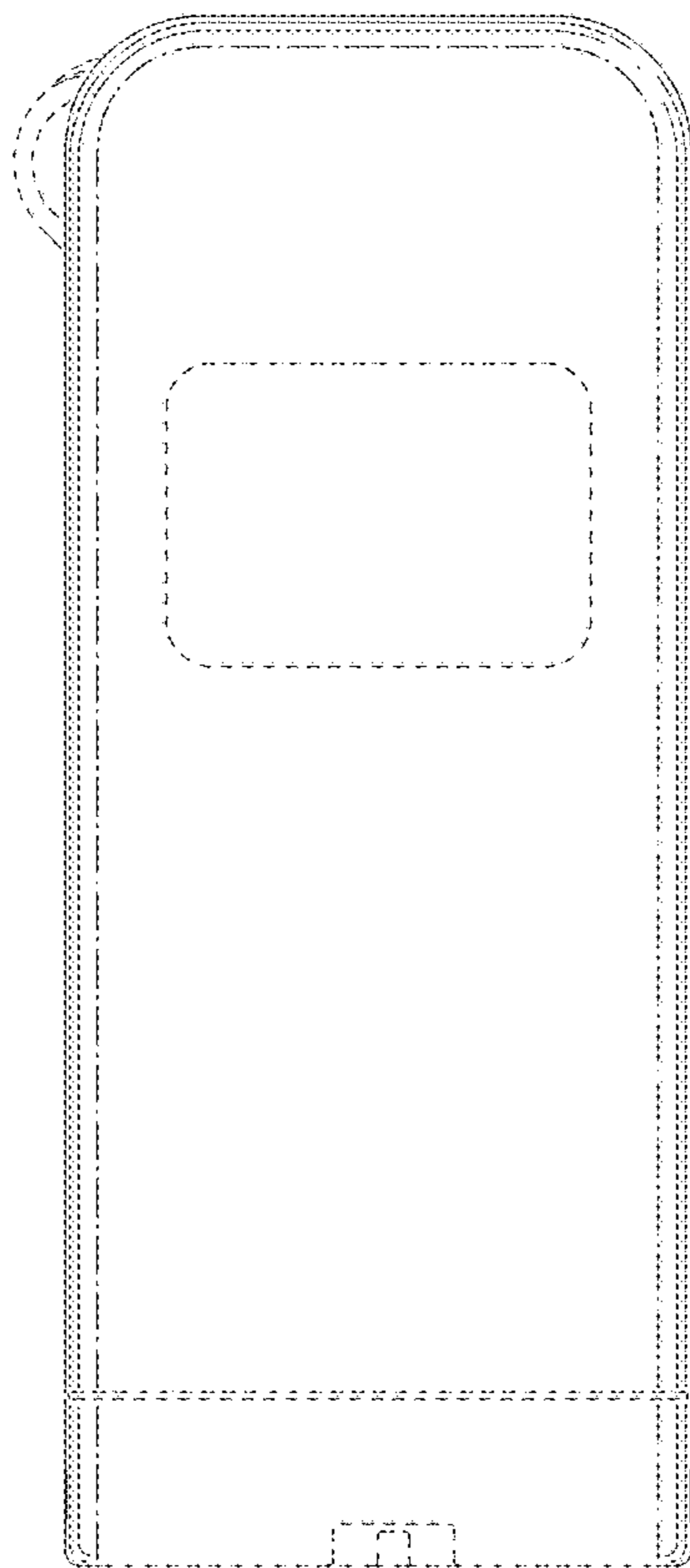


FIG. 9

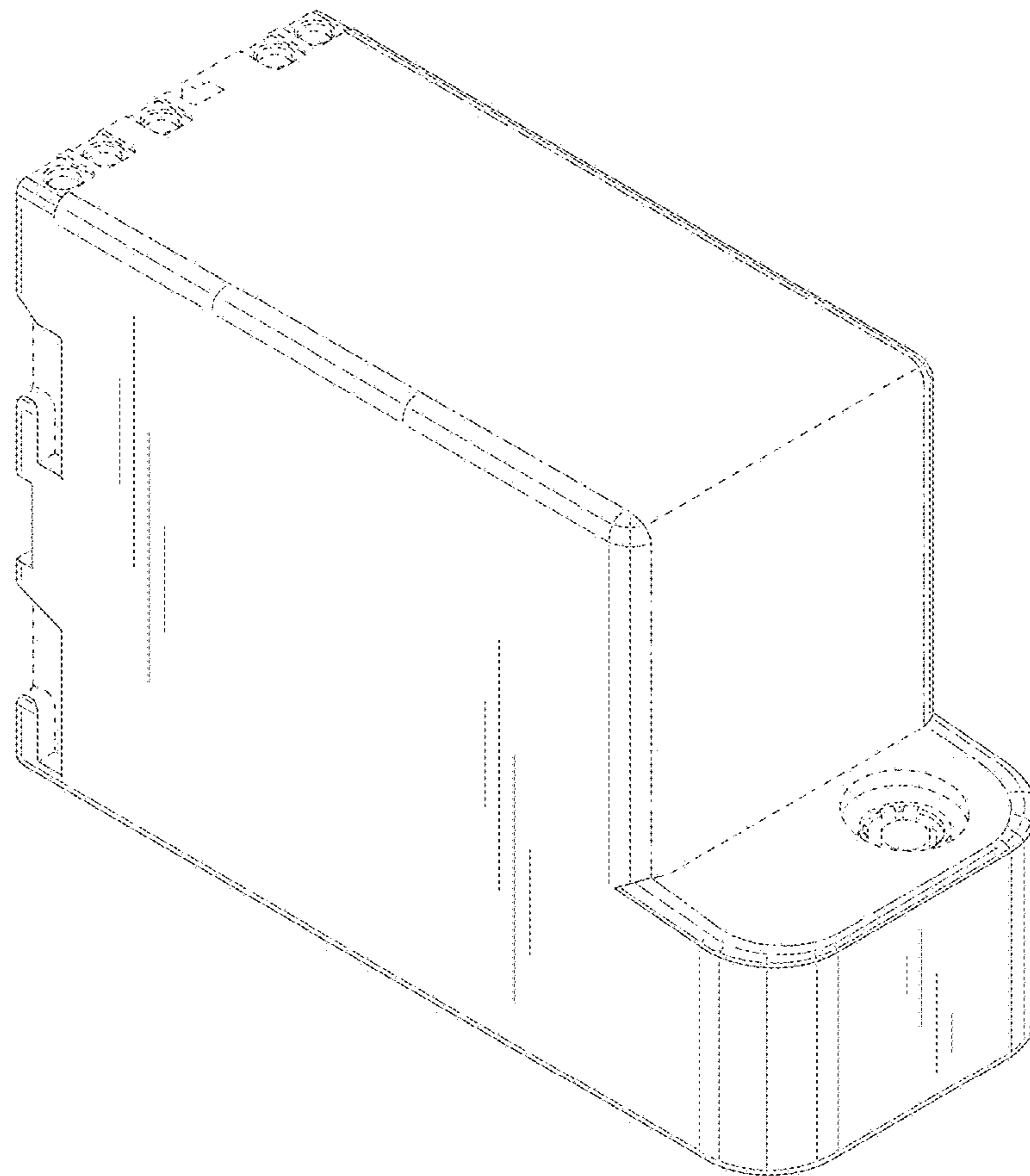


FIG. 10

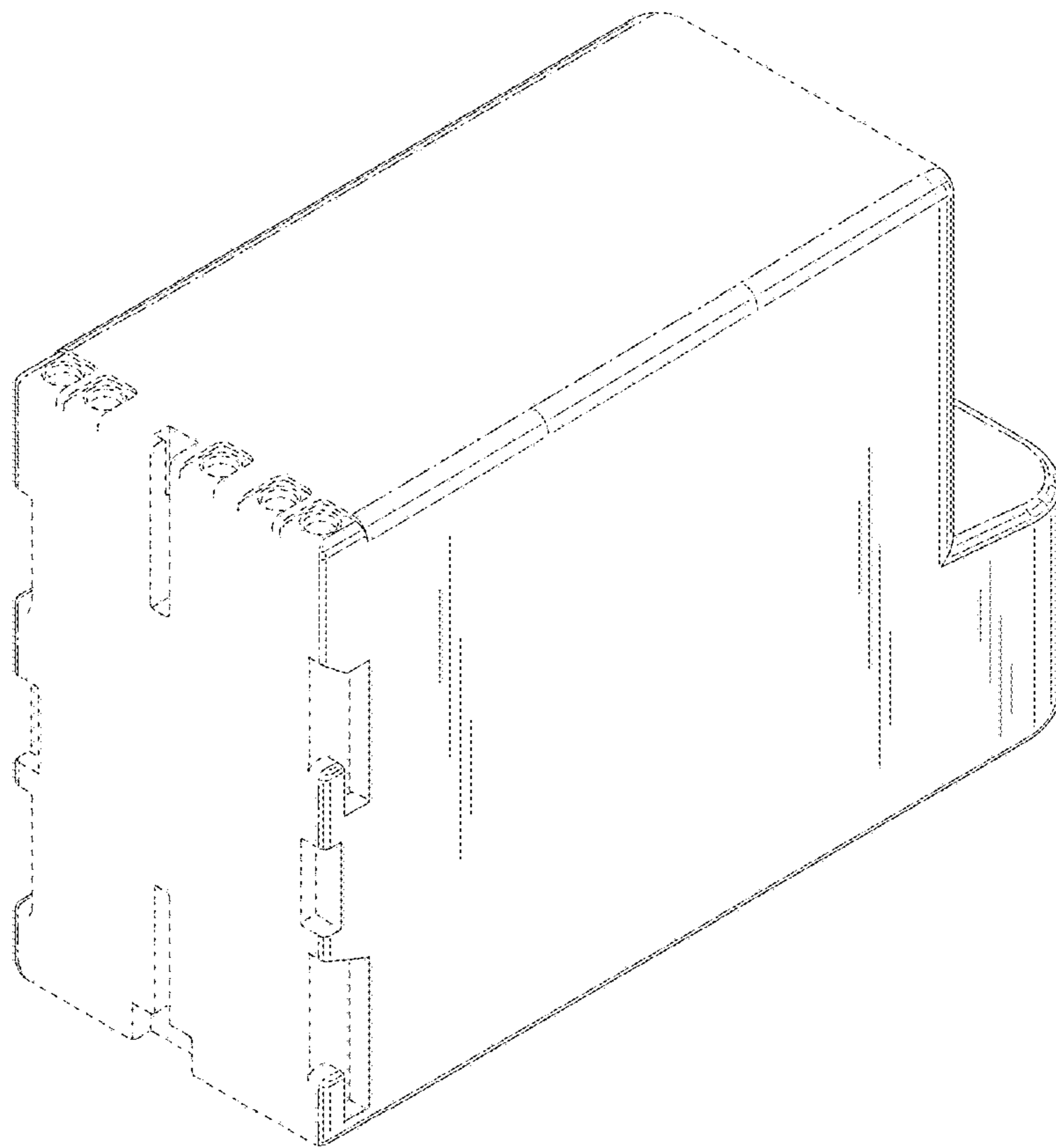


FIG. 11

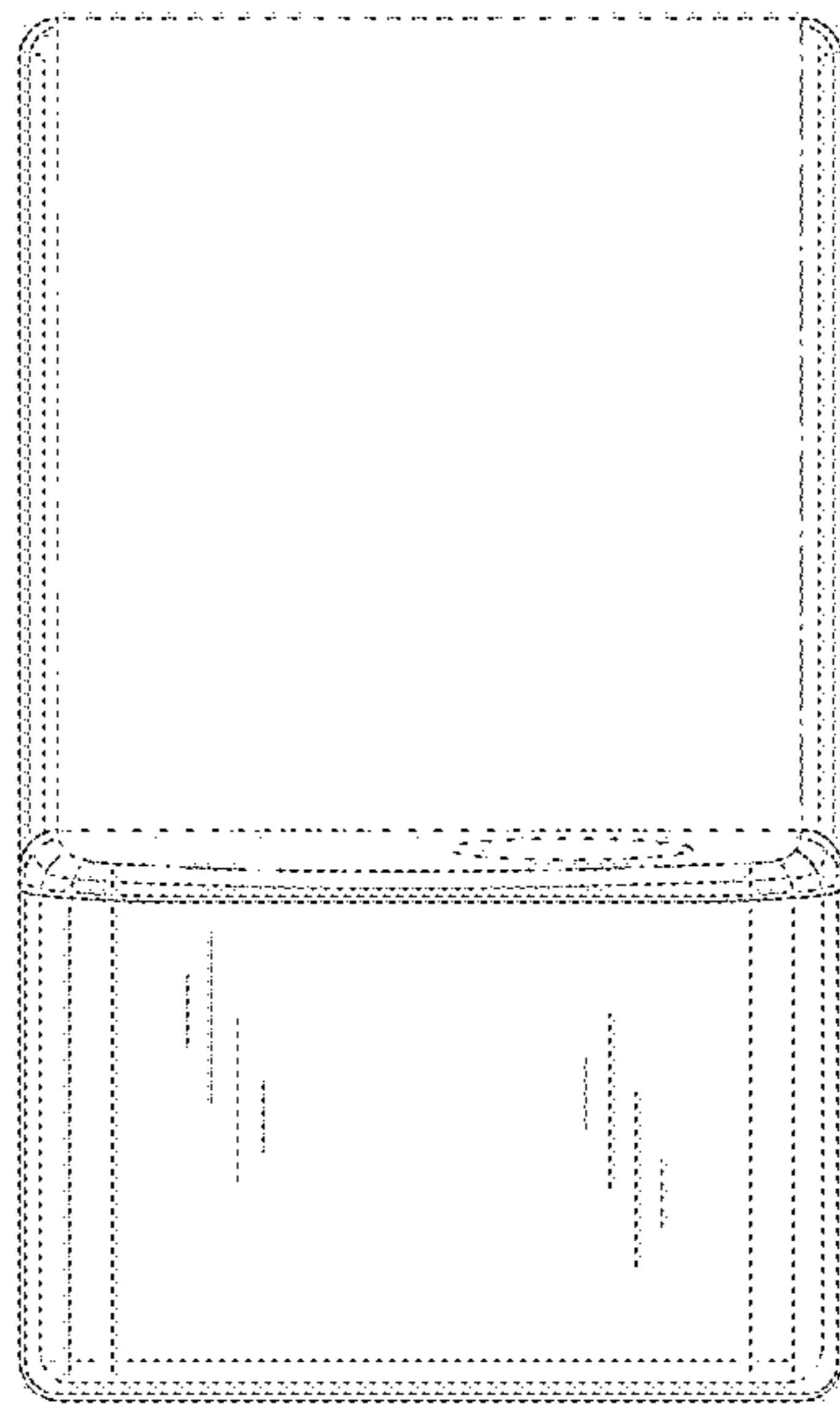


FIG. 12

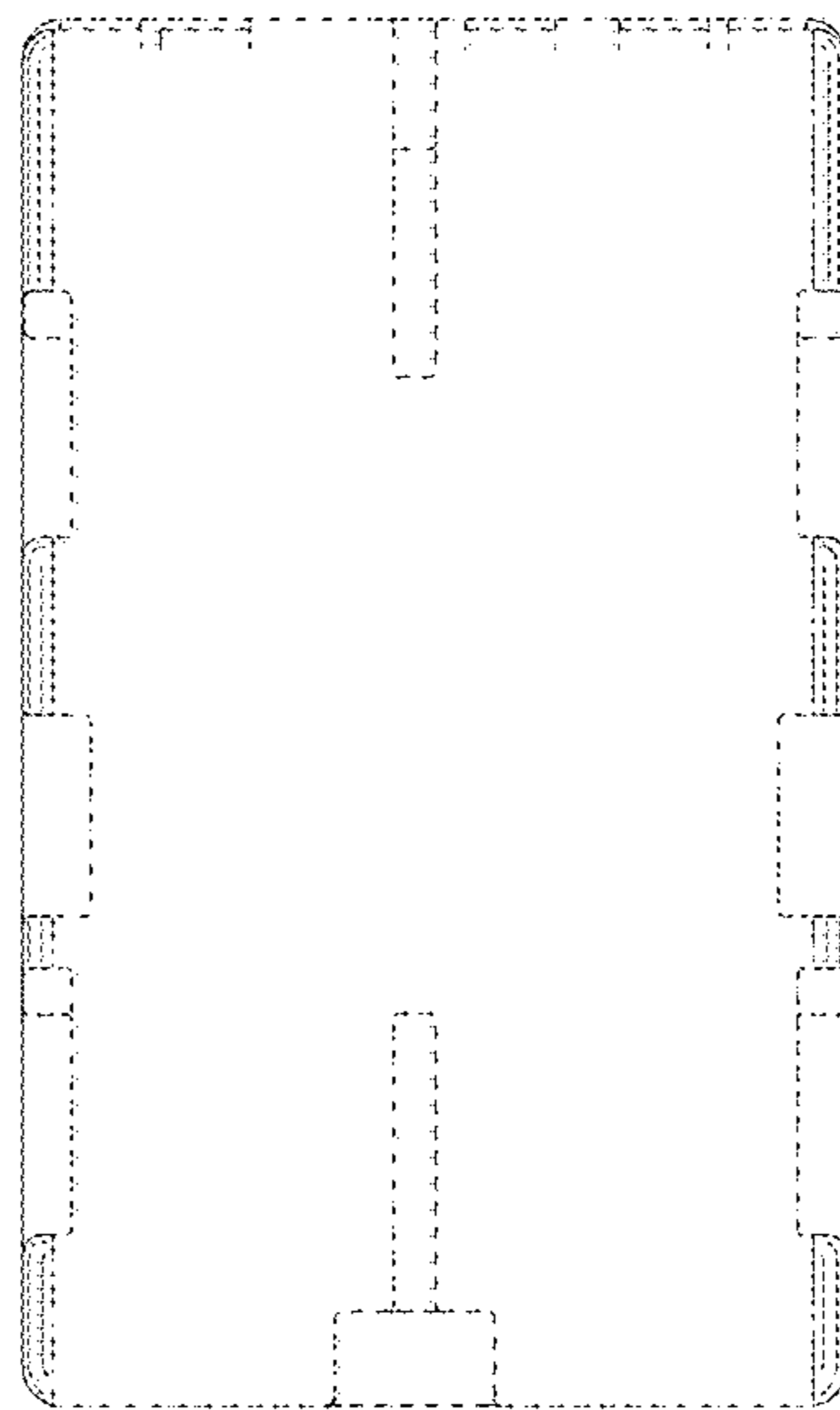


FIG. 13

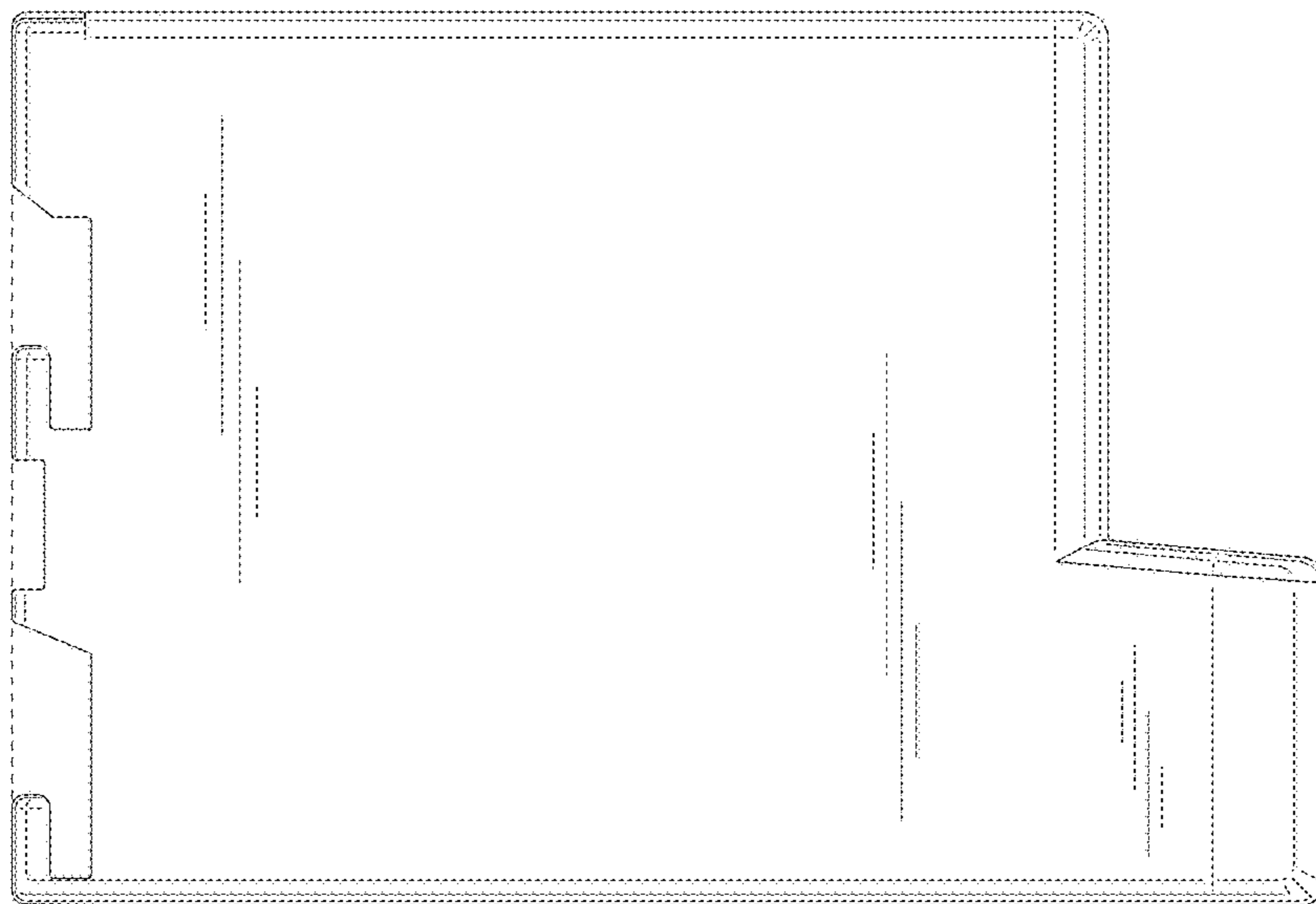


FIG. 14

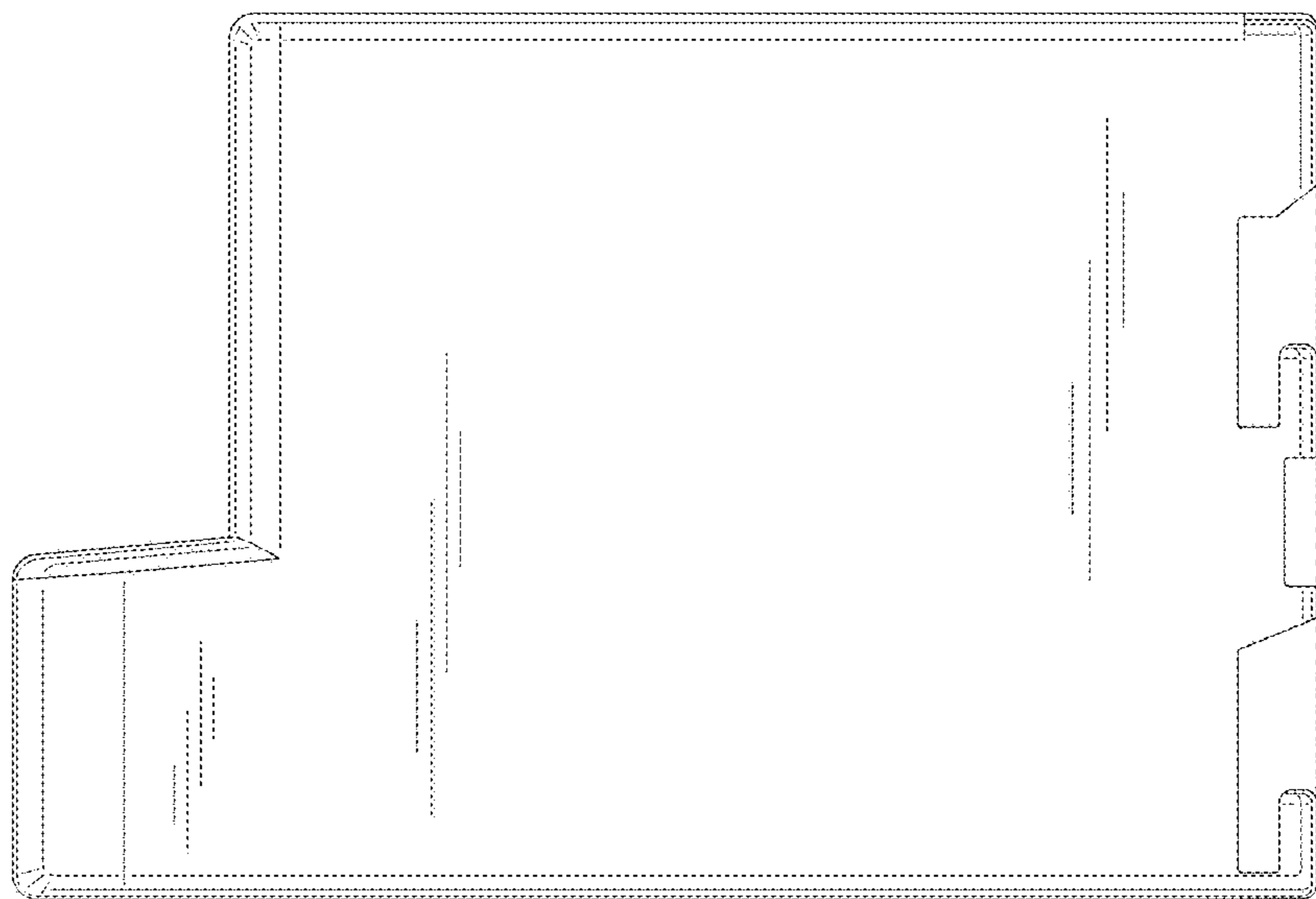




FIG. 15

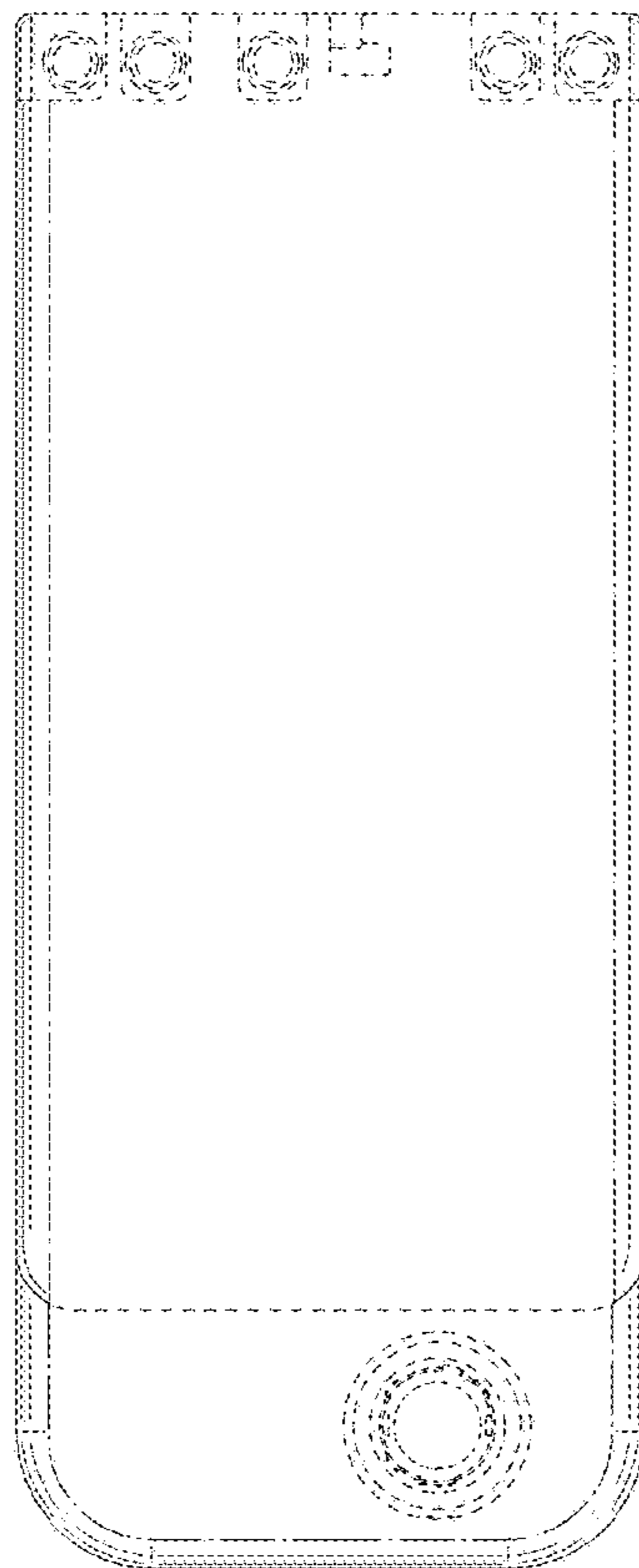


FIG. 16

