



US00D849679S

(12) **United States Design Patent** (10) **Patent No.:** **US D849,679 S**  
**Tian et al.** (45) **Date of Patent:** **\*\* May 28, 2019**

(54) **BATTERY** D729,731 S \* 5/2015 Dasbach ..... D13/110  
D746,227 S \* 12/2015 Lemire-Elmore ..... D13/107  
(71) Applicant: **YUNEEC TECHNOLOGY CO.,** D749,506 S \* 2/2016 Morgan ..... D13/108  
**LIMITED, Kowloon (CN)** D766,177 S \* 9/2016 Barajas ..... D13/107  
D772,806 S \* 11/2016 Ritterling ..... B25F 5/02  
(72) Inventors: **Yu Tian, Kunshan (CN); Wenyan** D777,125 S \* 1/2017 Eder ..... D13/184  
**Jiang, Kunshan (CN)** D780,116 S \* 2/2017 Bing ..... D13/107  
D780,725 S \* 3/2017 Kim ..... D13/110  
(73) Assignee: **YUNEEC TECHNOLOGY CO.,** D800,651 S \* 10/2017 Voller ..... D13/103  
**LIMITED, Hong Kong (CN)** D801,918 S \* 11/2017 Santurbane ..... D13/103  
2017/0247113 A1 \* 8/2017 Sanlerville ..... B64C 27/08

(\*\*) Term: **15 Years**

(21) Appl. No.: **29/580,708**

(22) Filed: **Oct. 12, 2016**

(30) **Foreign Application Priority Data**

Apr. 22, 2016 (CN) ..... 2016 3 0139397

(51) **LOC (11) Cl.** ..... **13-02**

(52) **U.S. Cl.**  
USPC ..... **D13/103**

(58) **Field of Classification Search**

USPC ..... D13/102-108, 110, 118-119, 184, 199  
CPC ..... Y02E 60/12; Y02E 60/122; Y02E 60/124;  
Y02E 60/50; H01M 2/02; H01M 2/022;  
H01M 2/0202; H01M 2/0207; H01M  
2/0212; H01M 2/1061; H01M 2/1022;  
H01M 2/1055; H01M 2/1066; H01M  
2/105; H01M 2/204; H01M 10/4257;  
H01M 10/0436; H01M 10/48

See application file for complete search history.

(56) **References Cited**

**U.S. PATENT DOCUMENTS**

D696,189 S \* 12/2013 Muto ..... D13/108  
D697,026 S \* 1/2014 Dasbach ..... D13/108

\* cited by examiner

*Primary Examiner* — Jennifer Rivard

*Assistant Examiner* — Alison M Ofstun

(74) *Attorney, Agent, or Firm* — Osha Liang LLP

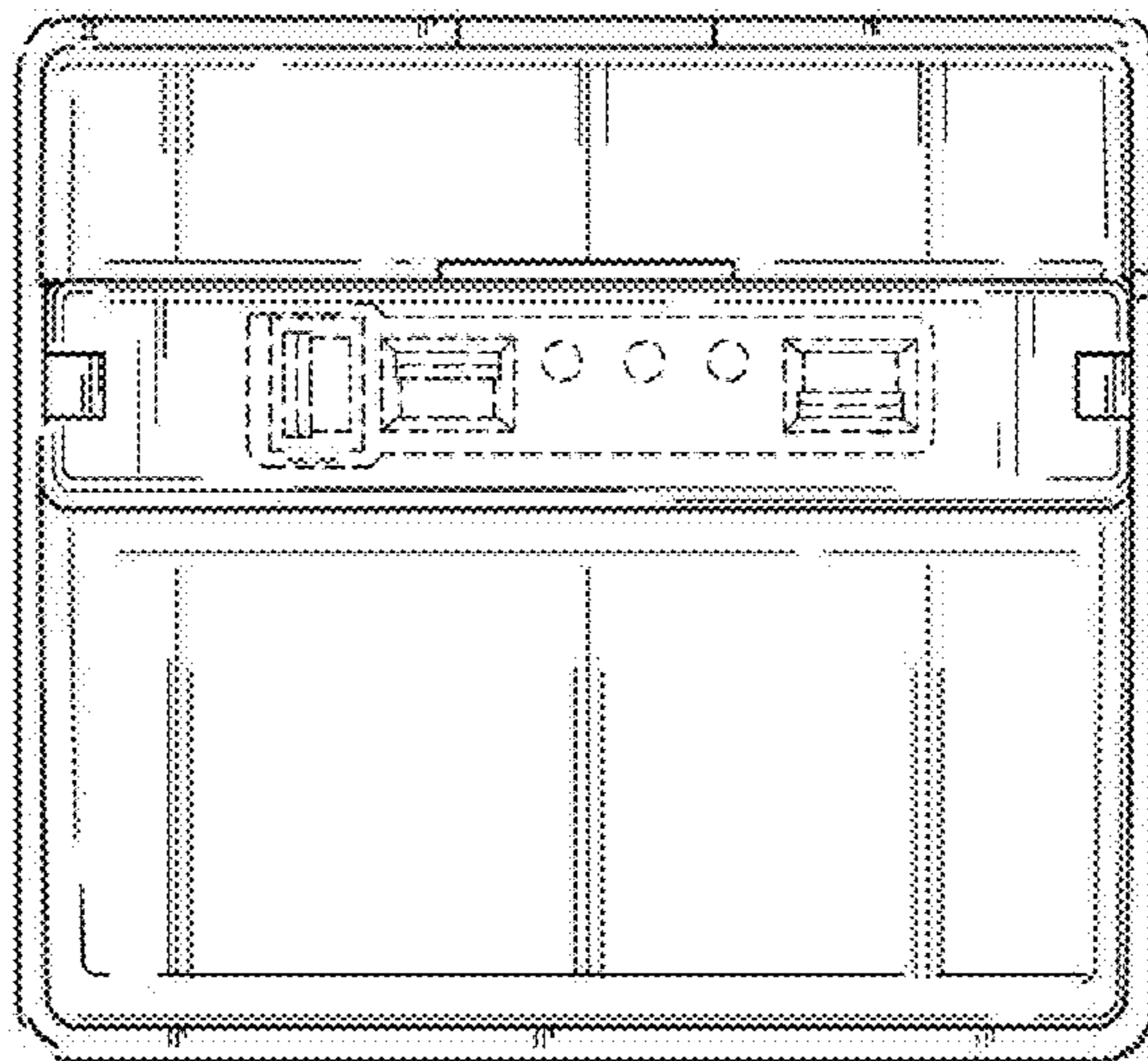
(57) **CLAIM**

The ornamental design for a battery, as shown and described.

**DESCRIPTION**

FIG. 1 is a top view of the battery, showing our new design.  
FIG. 2 is a bottom view thereof.  
FIG. 3 is a front view thereof.  
FIG. 4 is a back view thereof.  
FIG. 5 is a left side view thereof.  
FIG. 6 is a right side view thereof.  
FIG. 7 is a first perspective view thereof.  
FIG. 8 is a second perspective view thereof; and,  
FIG. 9 is a third perspective view thereof.  
In the drawings, the broken lines illustrate portions of the  
article which form no part of the claimed design.

**1 Claim, 8 Drawing Sheets**



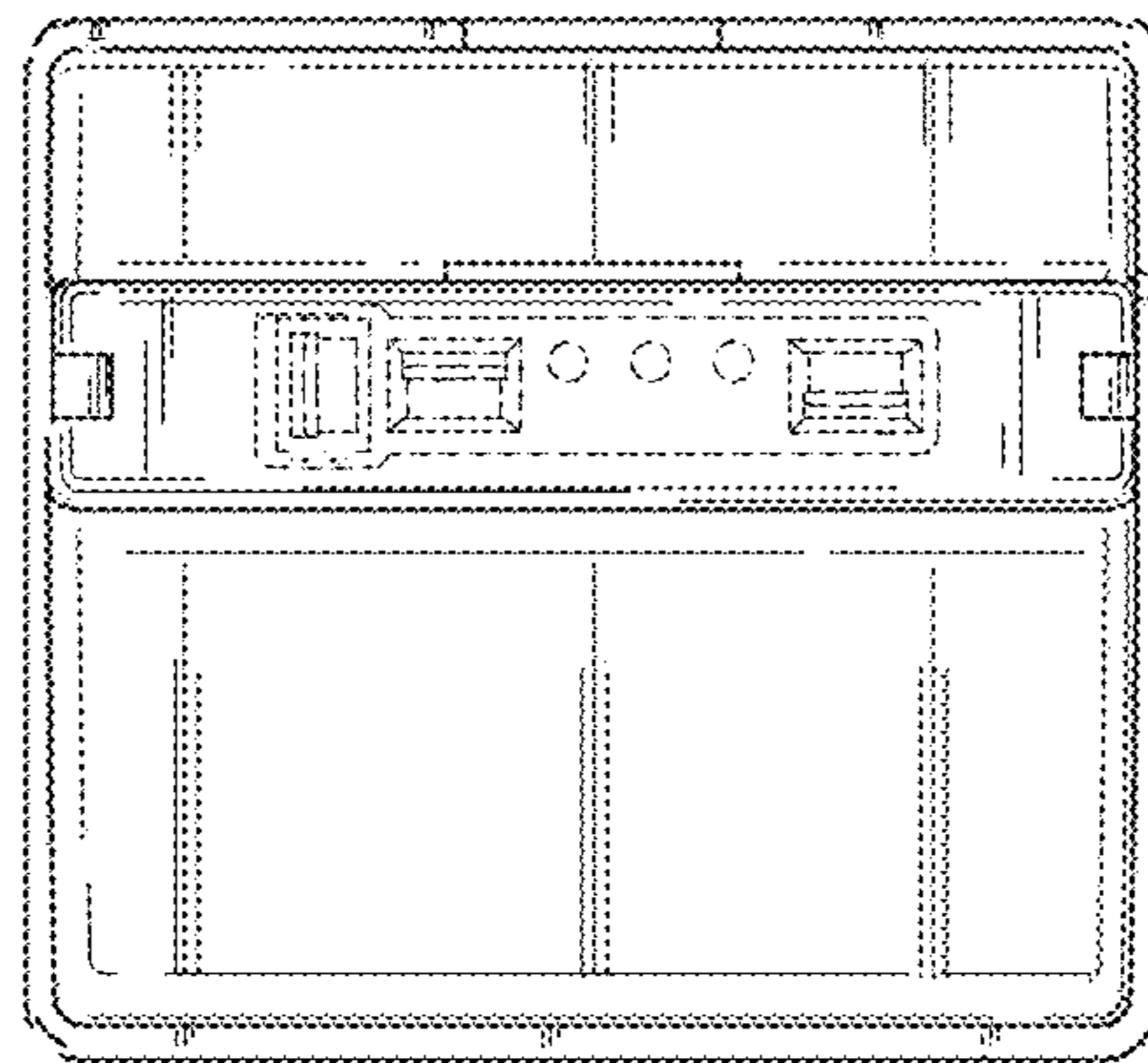


FIG. 1

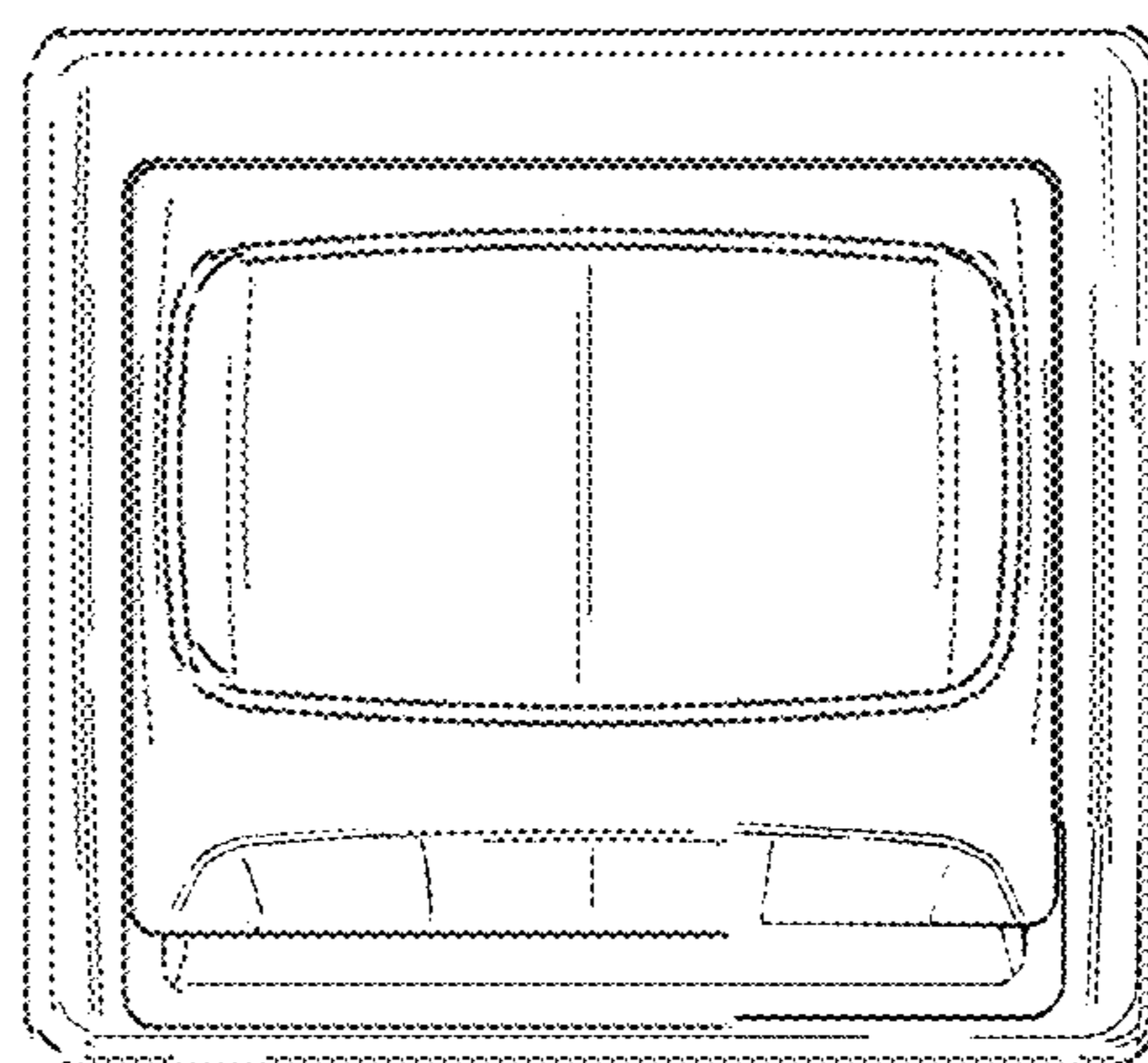


FIG. 2

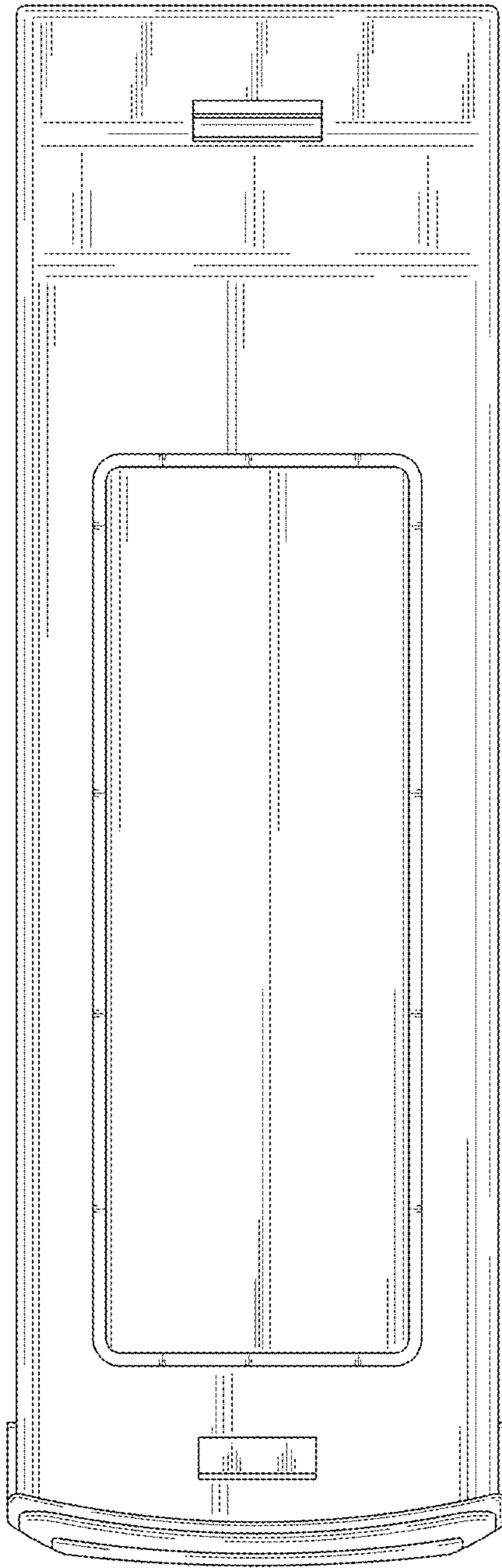


FIG. 3

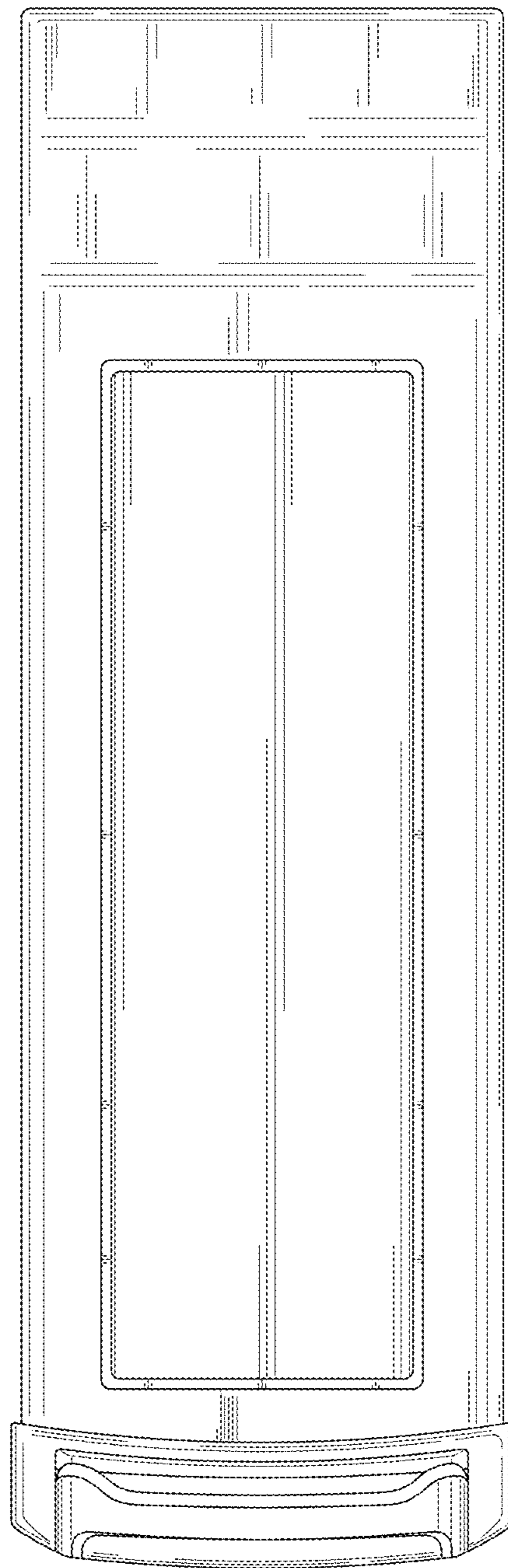


FIG. 4

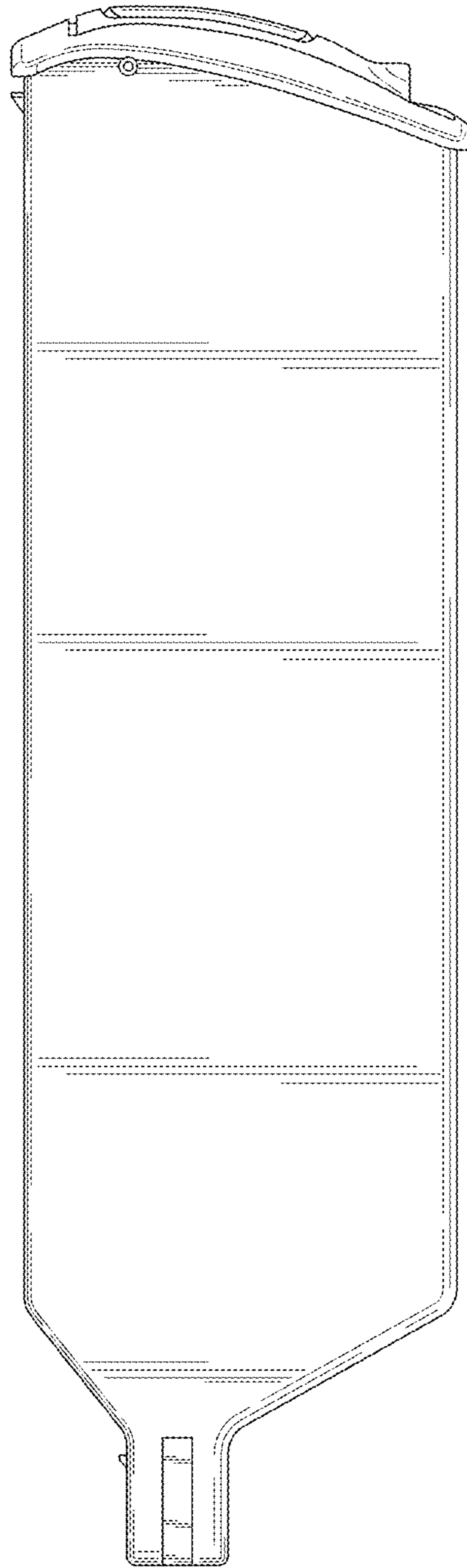


FIG. 5

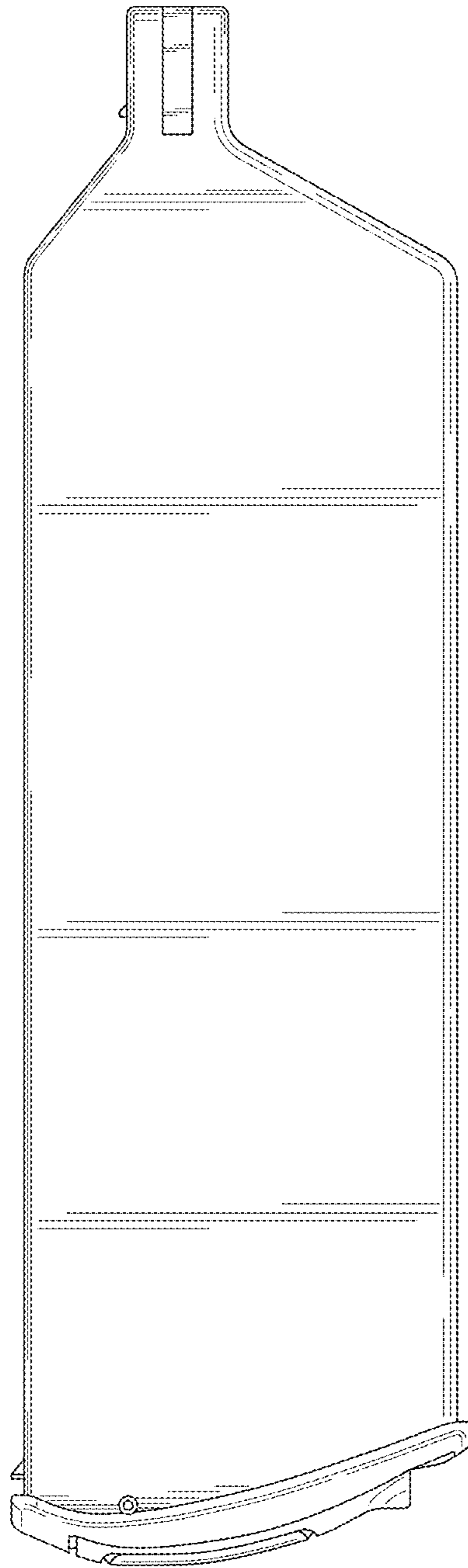


FIG. 6

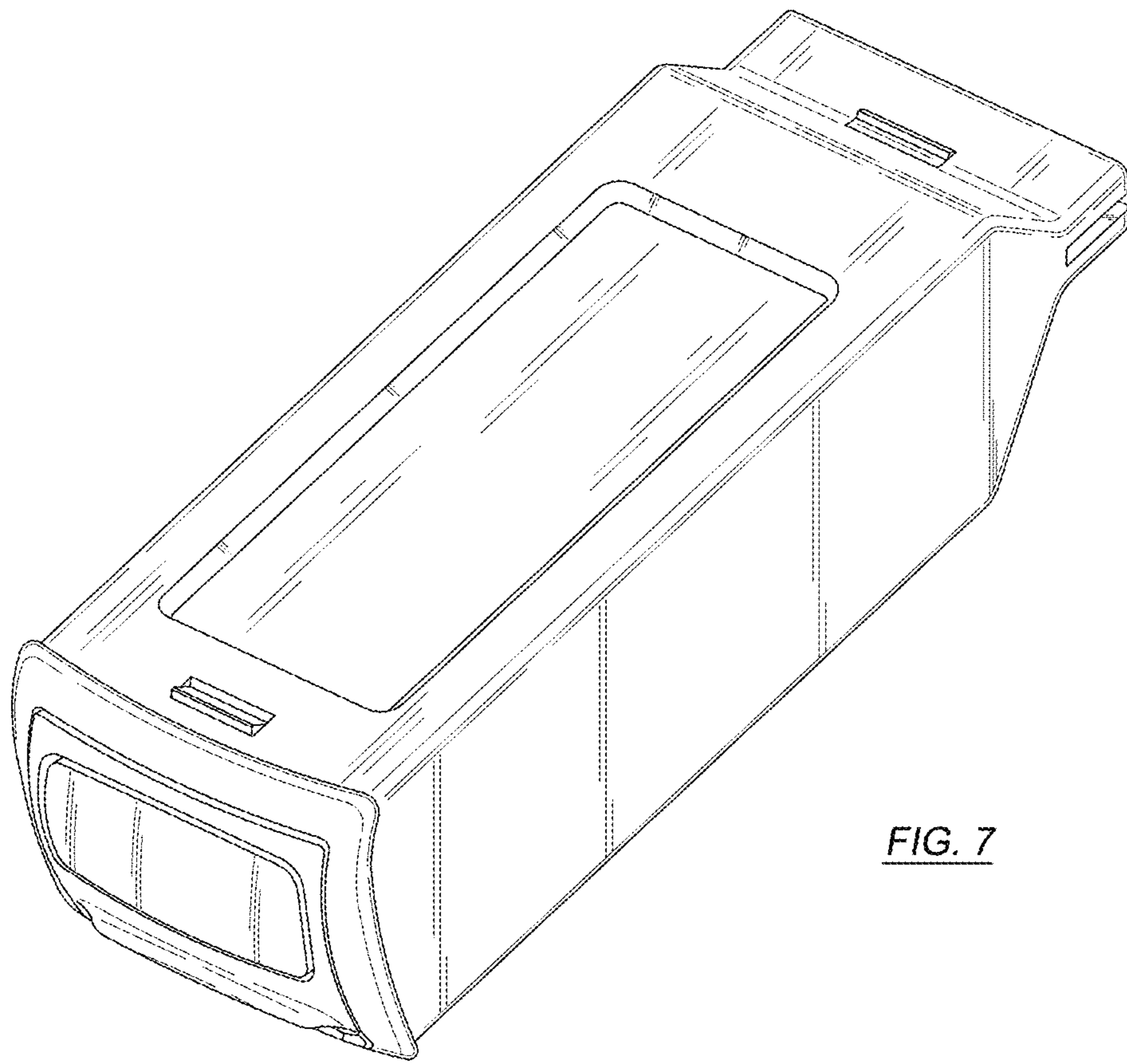


FIG. 7

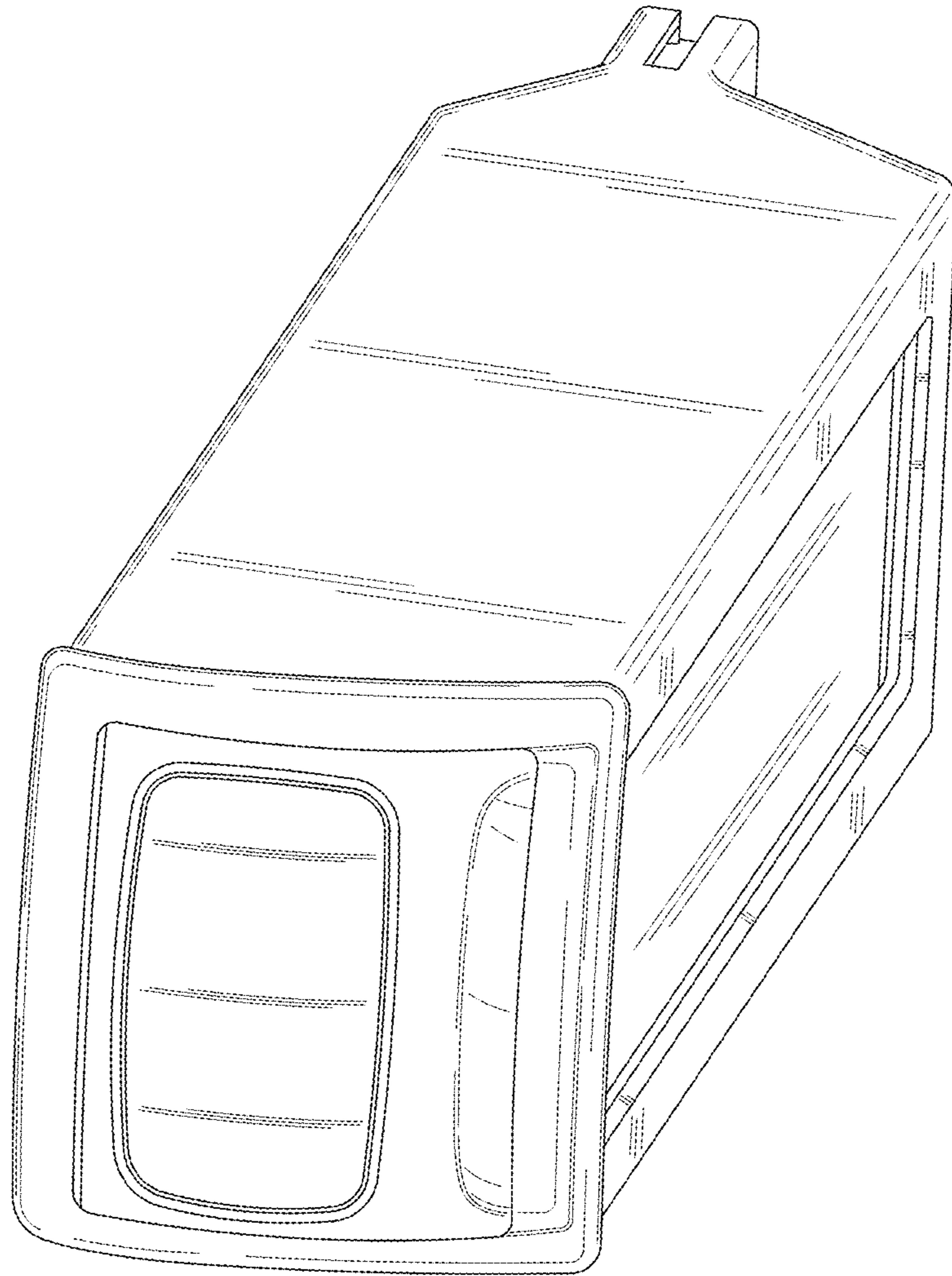


FIG. 8



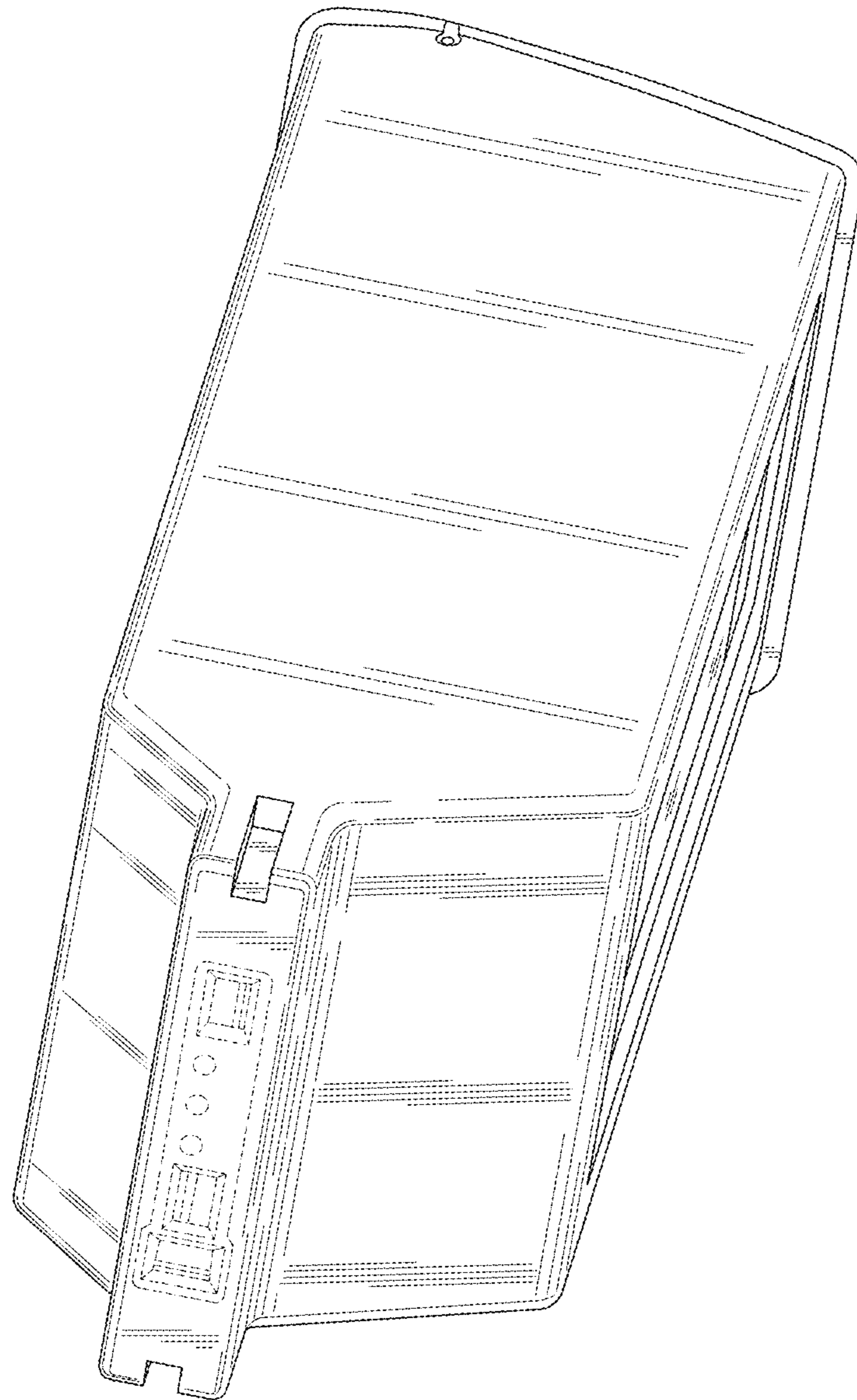


FIG. 9