



US00D849669S

(12) **United States Design Patent**  
**Reygrobellet et al.**

(10) **Patent No.:** **US D849,669 S**

(45) **Date of Patent:** **\*\* May 28, 2019**

(54) **TIRE**

(71) Applicant: **The Goodyear Tire & Rubber Company, Akron, OH (US)**

(72) Inventors: **Franck Reygrobellet, Howald (LU); Lionel Jean-Marie Bortolet, Gorcy (FR); Patricia Marie Arnould, Saint-Medard (BE); Anne-France Gabrielle Jeanne-Marie Cambron, Mersch (LU)**

(73) Assignee: **The Goodyear Tire & Rubber Company, Akron, OH (US)**

(\*\*) Term: **15 Years**

(21) Appl. No.: **29/626,298**

(22) Filed: **Nov. 16, 2017**

(51) **LOC (11) Cl.** ..... **12-15**

(52) **U.S. Cl.**  
USPC ..... **D12/583**

(58) **Field of Classification Search**  
USPC ..... D12/568-604  
CPC ..... Y10T 152/10027; B60C 1/0016; B60C 11/0306; B60C 11/0302; B60C 3/06; B60C 9/17

See application file for complete search history.

(56) **References Cited**

**U.S. PATENT DOCUMENTS**

D265,184 S	6/1982	Hammond	.....	D12/143
D348,238 S	6/1994	Ebbott	.....	D12/141
D381,942 S	8/1997	Ford, III et al.	.....	D12/141
D382,519 S	8/1997	Young et al.	.....	D12/143
D384,620 S	10/1997	Gillard et al.	.....	D12/147
D388,030 S	12/1997	Schuster	.....	D12/142
D388,031 S	12/1997	Loeffler et al.	.....	D12/143
D397,647 S	9/1998	Young	.....	D12/146

D402,236 S	12/1998	Harris et al.	.....	D12/142
D402,237 S	12/1998	Harris et al.	.....	D12/142
D402,238 S	12/1998	Young et al.	.....	D12/142
D403,626 S	1/1999	Harris et al.	.....	D12/142
D451,860 S	12/2001	Schuster et al.	.....	D12/147
D458,582 S	6/2002	Rodicq et al.	.....	D12/586
D517,472 S *	3/2006	Allison	.....	D12/602

(Continued)

*Primary Examiner* — Karen E Kearney

*Assistant Examiner* — John A Voytek

(74) *Attorney, Agent, or Firm* — Robert N. Lipsik

(57) **CLAIM**

The ornamental Design for a tire, as shown and described.

**DESCRIPTION**

FIG. 1 is a perspective view of a tire showing our new design, it being understood that the pattern repeats uniformly throughout the circumference of the tread;

FIG. 2 is a front elevational view thereof;

FIG. 3 is a right side elevational view thereof; the left side elevational view being identical thereto;

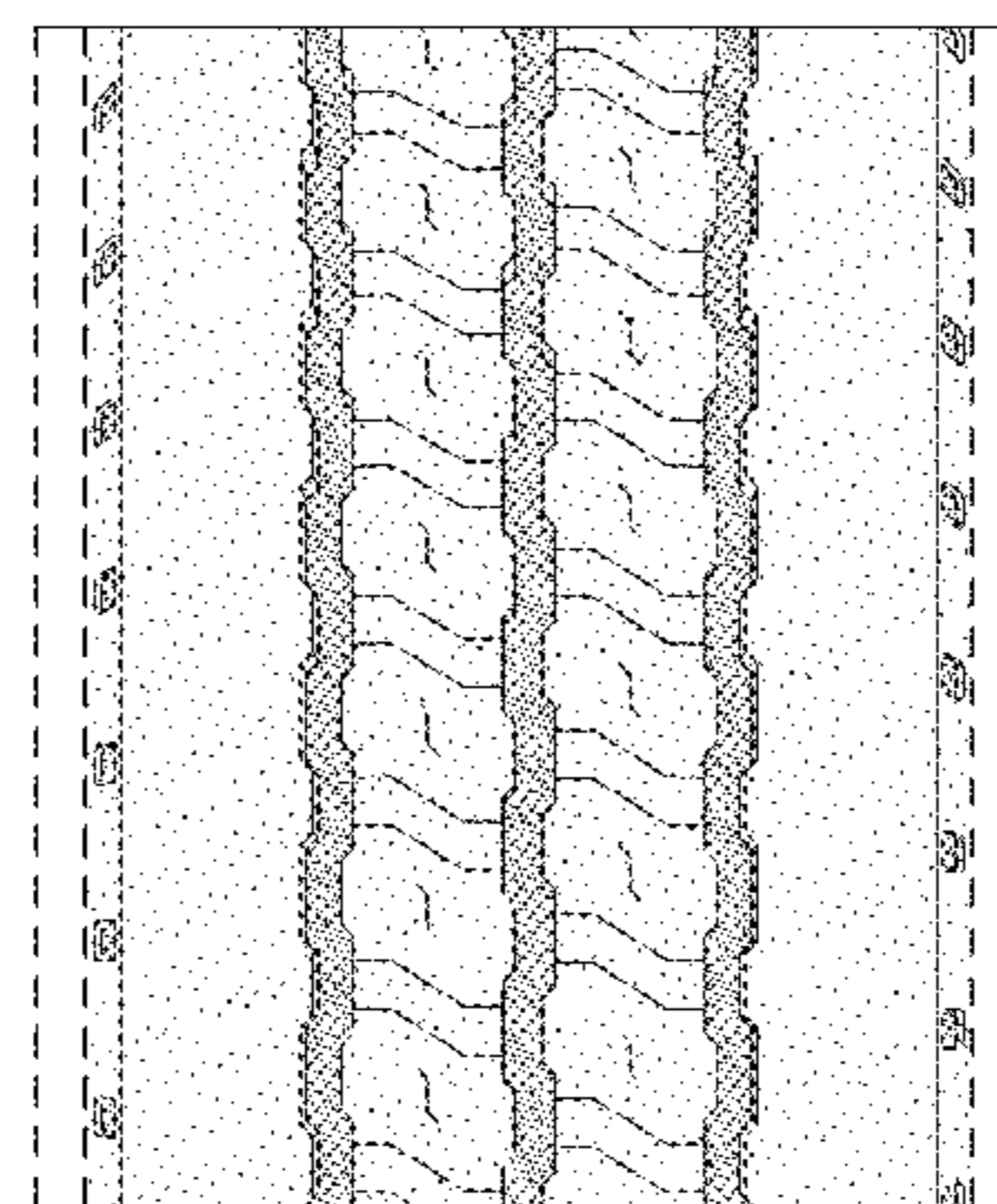
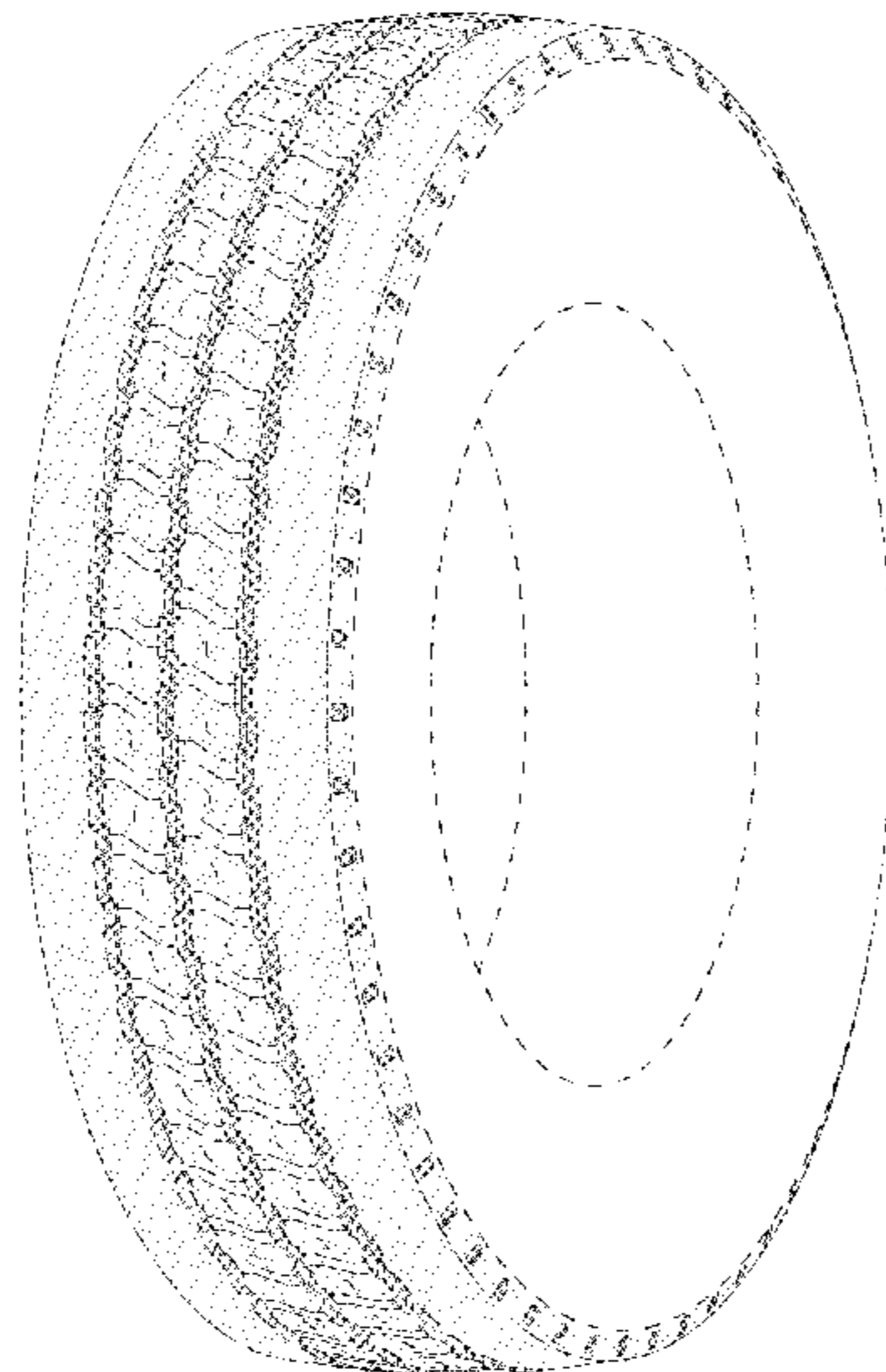
FIG. 4 is an enlarged fragmentary front elevational view thereof;

FIG. 5 is a perspective view of a second embodiment of a tire showing our new design, it being understood that the interior of the tire forms no part of the claim, that the pattern repeats uniformly throughout the circumference of the tread and that the opposite side view is identical thereto; and,

FIG. 6 is a front elevational view of a second embodiment, it being understood that an enlarged fragmentary view thereof would be substantially identical to that shown in FIG. 4, with the exception of the inclusion of the sidewall in the claim.

In the drawings, the broken lines immediately adjacent to the tire shoulder depict boundaries of the claimed design and form no part thereof. All other broken lines depict portions of the tire and form no part of the claimed design.

**1 Claim, 6 Drawing Sheets**



(56)

**References Cited**

## U.S. PATENT DOCUMENTS

D548,175 S	8/2007	Martin .....	D12/603
D597,479 S	8/2009	Scharis .....	D12/586
D598,369 S *	8/2009	Beha .....	D12/583
D598,370 S *	8/2009	Beha .....	D12/583
D601,082 S	9/2009	Cazin-Bourguignon et al. ....	D12/583
D605,108 S	12/2009	Brown et al. ....	D12/588
D618,613 S	6/2010	Vandaele et al. ....	D12/600
D624,490 S *	9/2010	Kaji .....	D12/602
D640,968 S	7/2011	Cazin-Bourguignon et al. ....	D12/583
D651,968 S *	1/2012	Westaway .....	D12/602
D660,224 S *	5/2012	Takahashi .....	D12/602
D673,897 S	1/2013	Krier .....	D12/587
D717,240 S *	11/2014	Buchinger-Barnstorf ...	D12/602
D730,813 S	6/2015	Yamamoto .....	D12/583
D738,811 S	9/2015	Drake .....	D12/583
D738,812 S	9/2015	Yamaura .....	D12/584
D748,045 S	1/2016	Kitamura .....	D12/584
D759,581 S	6/2016	Wang et al. ....	D12/586
D761,197 S *	7/2016	Dixon .....	D12/602
D763,179 S *	8/2016	Kitajima .....	D12/583
D763,784 S	8/2016	Mathonet et al. ....	D12/603
D780,105 S *	2/2017	Renis .....	D12/596
D823,782 S *	7/2018	Bortolet .....	D12/583
D833,966 S *	11/2018	Louzri .....	D12/596
D834,511 S *	11/2018	Wang .....	D12/602

\* cited by examiner

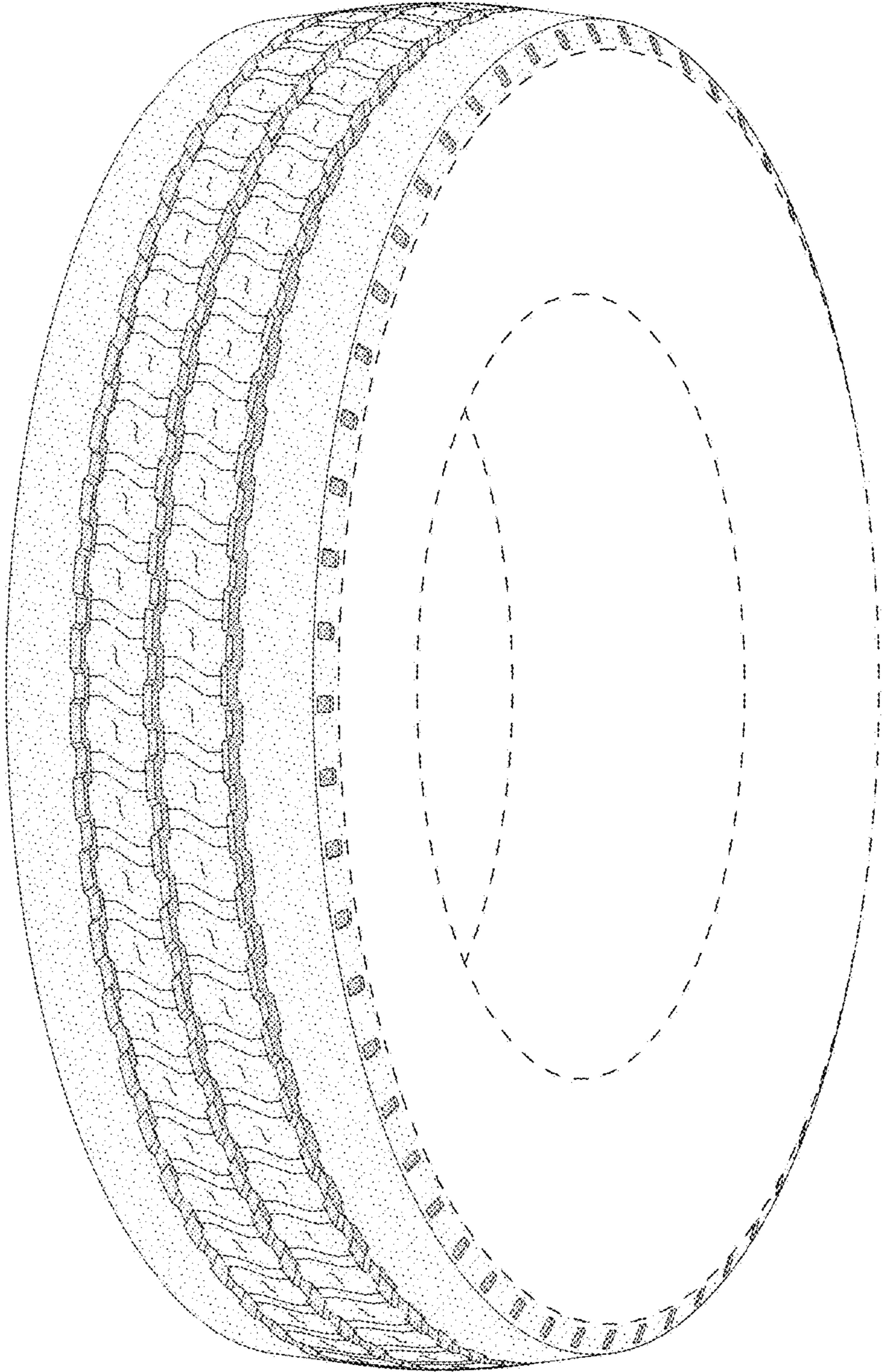


FIG - 1

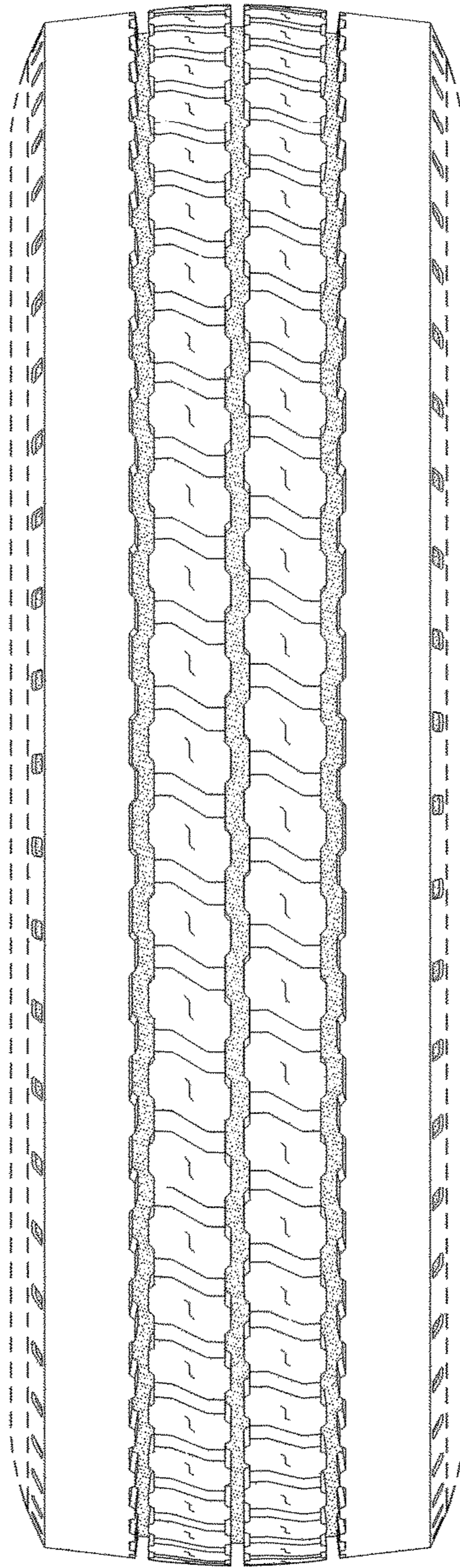


FIG - 2

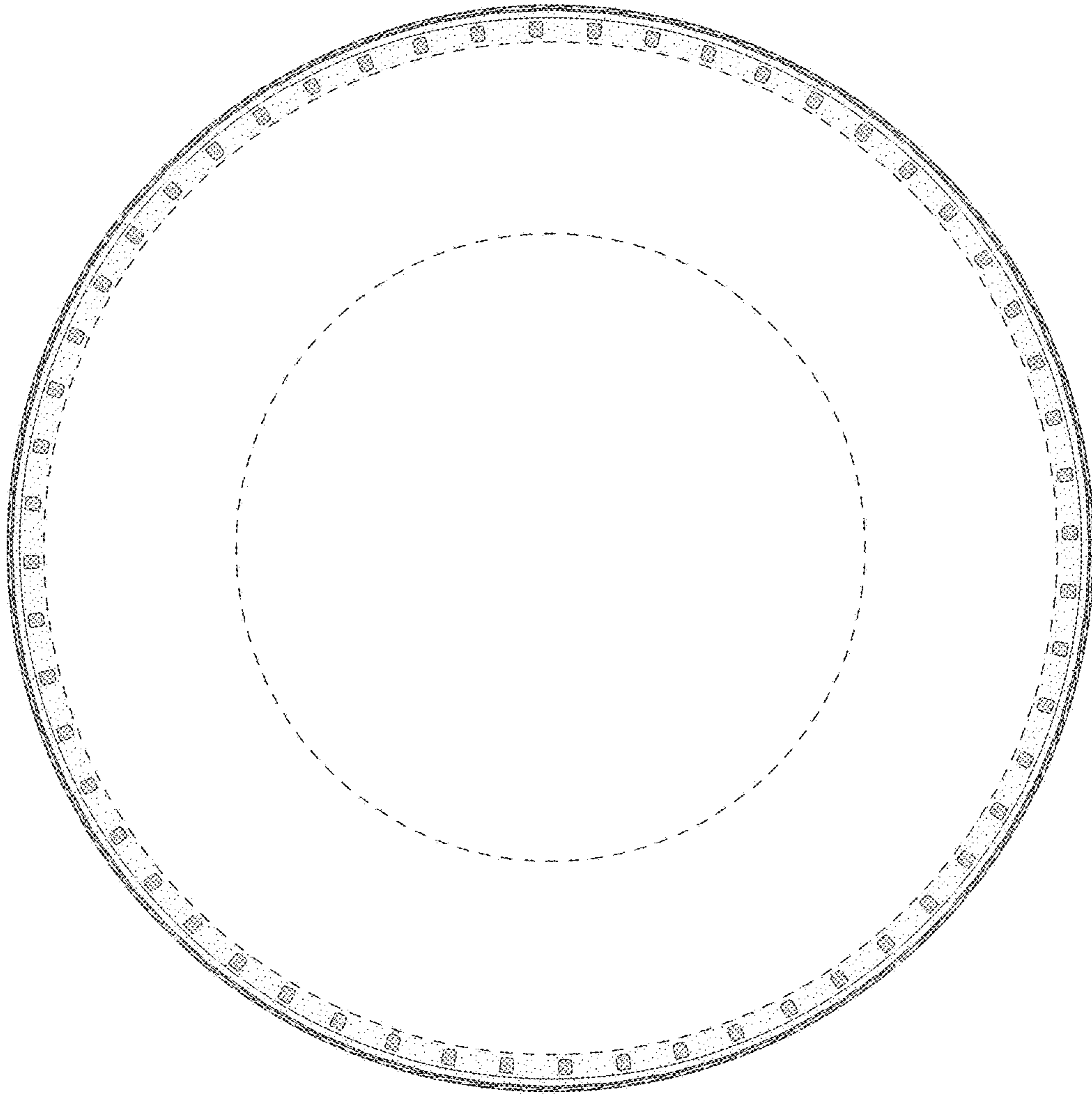


FIG - 3

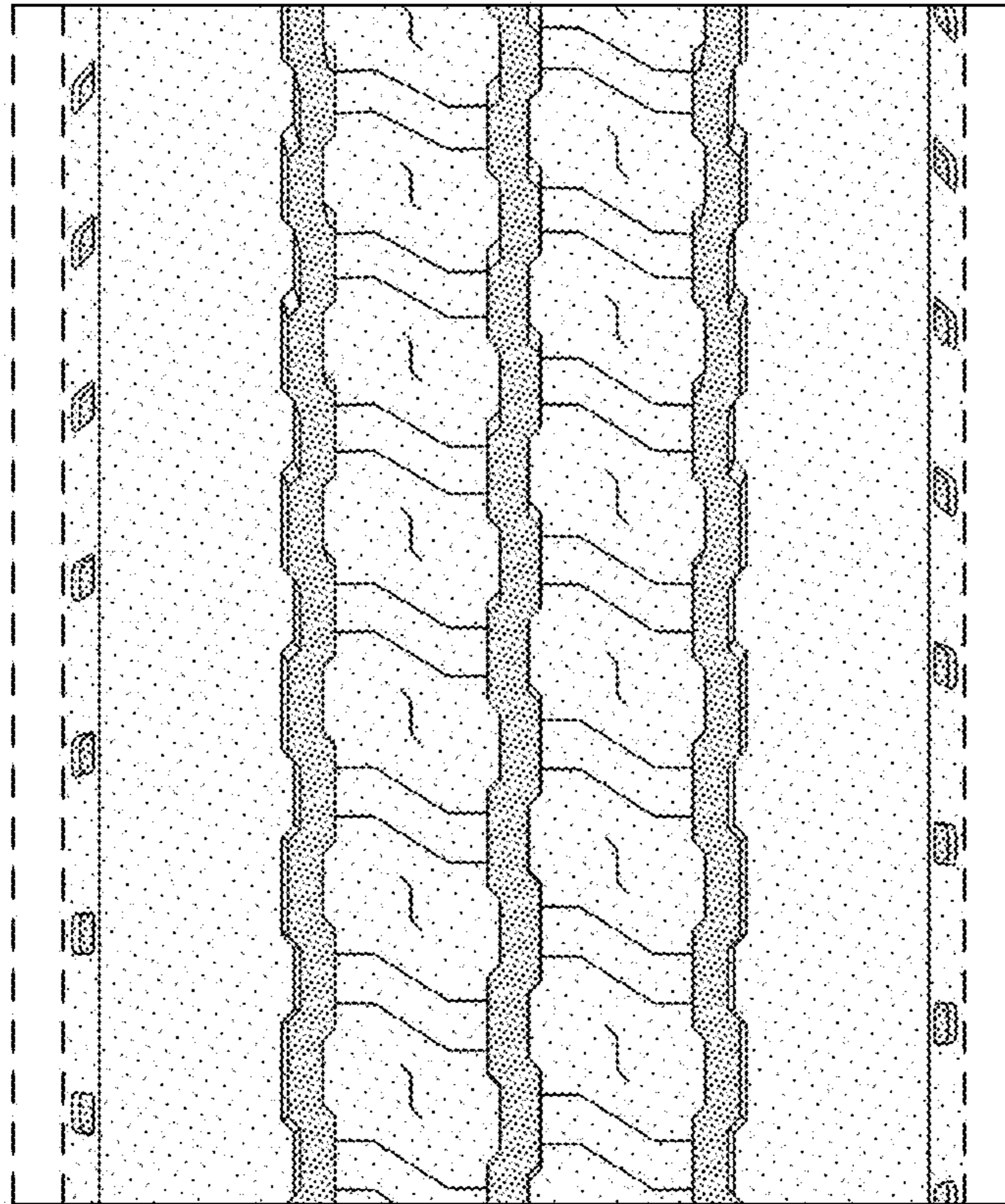


FIG - 4

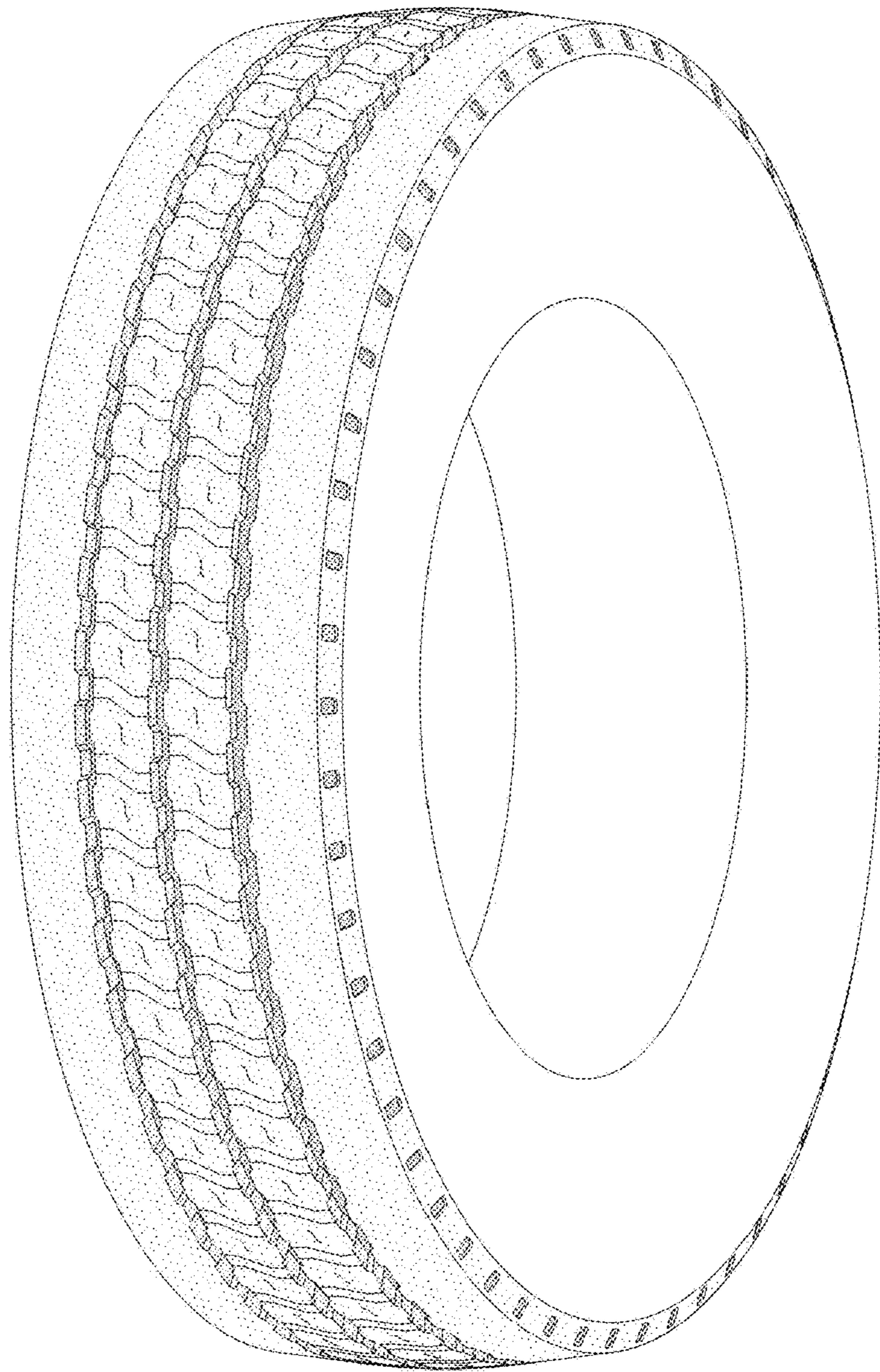


FIG - 5

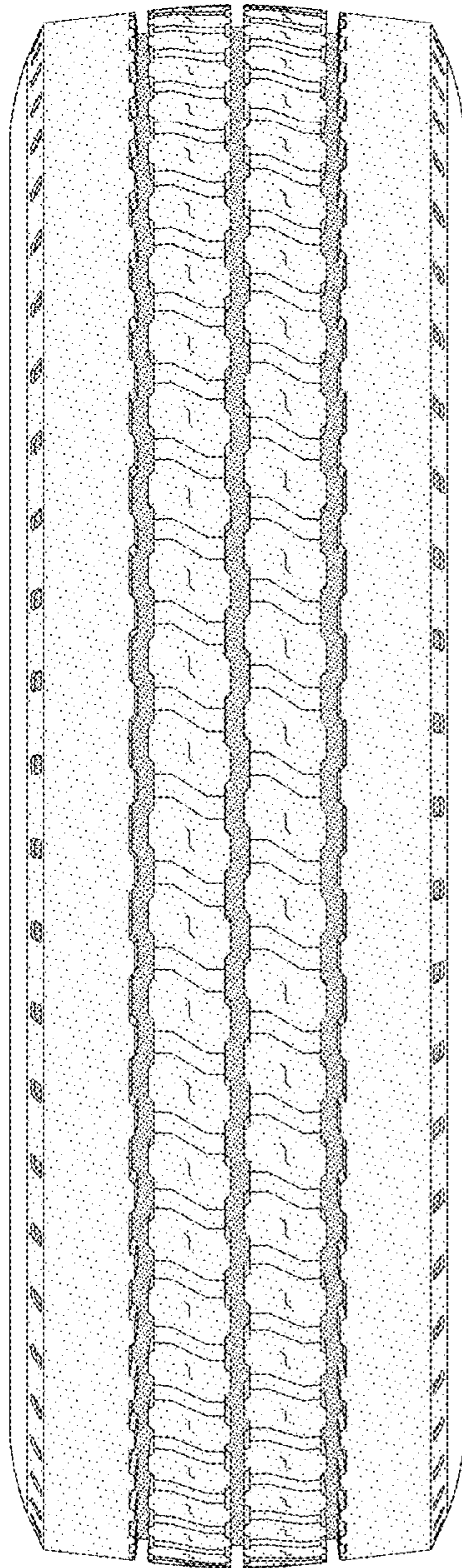


FIG - 6