

US00D849665S

(12) **United States Design Patent** (10) **Patent No.:** **US D849,665 S**  
**Badillo** (45) **Date of Patent:** **\*\* May 28, 2019**

(54) **ROOF RACK INSERT**

OTHER PUBLICATIONS

(71) Applicant: **Intelligent Designs 2000 Corp.**,  
Aurora, CO (US)

Official Action for U.S. Appl. No. 29/535,865, dated Nov. 3, 2017  
10 pages.

(Continued)

(72) Inventor: **Paul Badillo**, Littleton, CO (US)

*Primary Examiner* — Katrina A Betton

(73) Assignee: **INTELLIGENT DESIGNS 2000  
CORP.**, Aurora, CO (US)

(74) *Attorney, Agent, or Firm* — Sheridan Ross PC

(\*\*) Term: **15 Years**

(57) **CLAIM**

The ornamental design for a roof rack insert, as shown and  
described.

(21) Appl. No.: **29/612,929**

**DESCRIPTION**

(22) Filed: **Aug. 4, 2017**

**Related U.S. Application Data**

(63) Continuation-in-part of application No. 29/535,957,  
filed on Aug. 12, 2015, now Pat. No. Des. 793,946,  
which is a continuation of application No.  
13/942,489, filed on Jul. 15, 2013, now Pat. No.  
9,676,343, which is a continuation of application No.  
12/861,034, filed on Aug. 23, 2010, now Pat. No.  
8,496,146.

FIG. 1 is a perspective view of a roof rack insert;  
FIG. 2 is a front elevation view thereof;  
FIG. 3 is a rear elevation view thereof;  
FIG. 4 is a left elevation view thereof;  
FIG. 5 is a right elevation view thereof;  
FIG. 6 is a top plan view thereof;  
FIG. 7 is a bottom plan view thereof;  
FIG. 8 is a perspective view of the roof rack insert positioned  
adjacent to a vehicle roof rack;  
FIG. 9 is a perspective view of a roof rack insert according  
to another embodiment;  
FIG. 10 is a front elevation view of the roof rack insert of  
FIG. 9;  
FIG. 11 is a rear elevation view of the roof rack insert of  
FIG. 9;  
FIG. 12 is a left elevation view of the roof rack insert of FIG.  
9;  
FIG. 13 is a right elevation view of the roof rack insert of  
FIG. 9;  
FIG. 14 is a top plan view of the roof rack insert of FIG. 9;  
FIG. 15 is a bottom plan view of the roof rack insert of FIG.  
9; and,  
FIG. 16 is a perspective view of the roof rack insert of FIG.  
9 positioned adjacent to a vehicle roof rack.  
The broken lines depict unclaimed environmental subject  
matter and do not form any part of the claimed design.

(51) **LOC (11) Cl.** ..... **12-16**

(52) **U.S. Cl.**  
USPC ..... **D12/412**

(58) **Field of Classification Search**  
USPC ..... D12/412, 406, 413, 414, 414.1; D6/552;  
D3/304-306  
CPC ..... B60R 9/04; B60R 9/048; B60R 9/045  
See application file for complete search history.

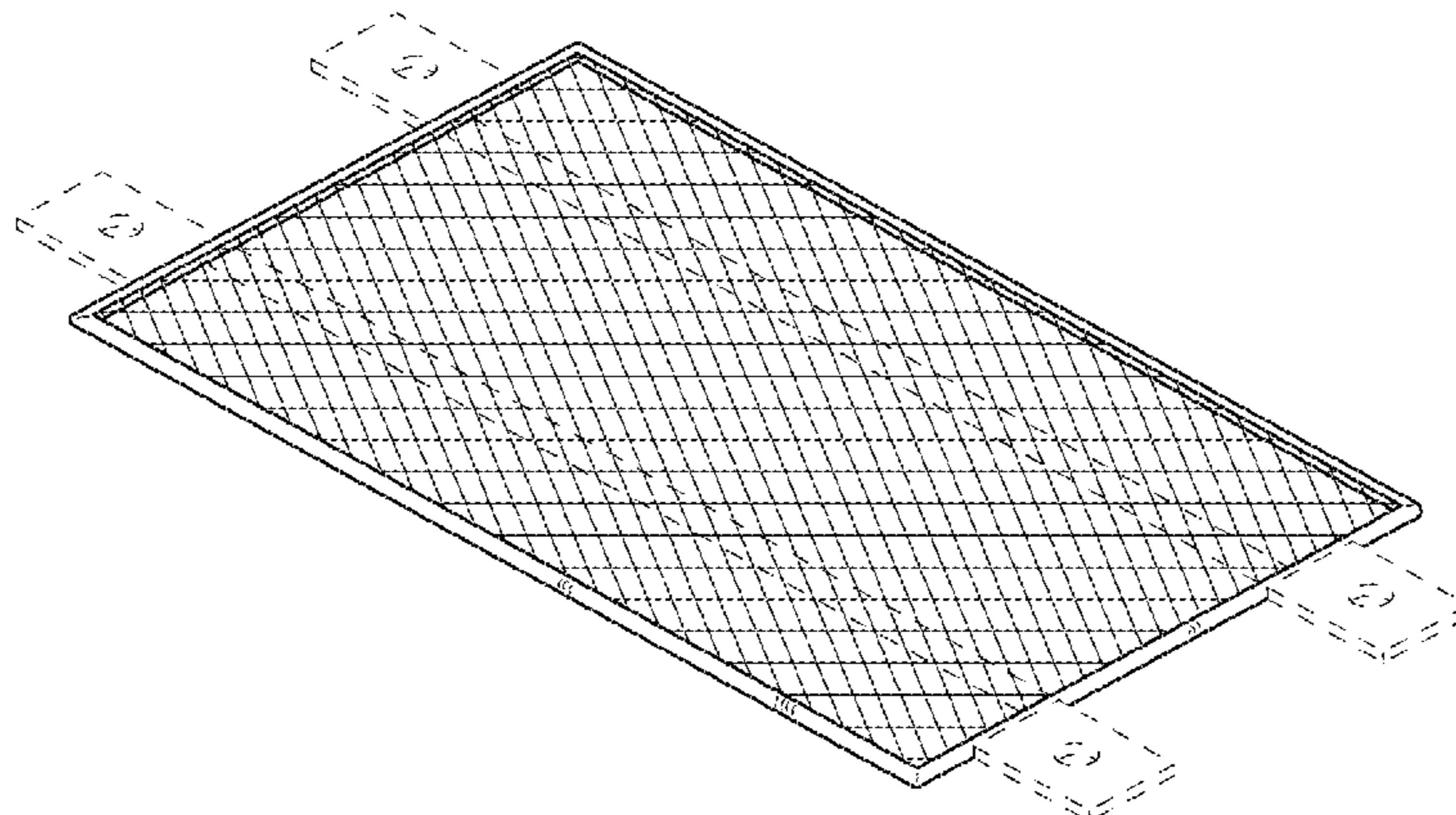
(56) **References Cited**

**U.S. PATENT DOCUMENTS**

D30,369 S 3/1899 Mandt  
D33,754 S 12/1900 Hien  
704,436 A 7/1902 Cluff

(Continued)

**1 Claim, 8 Drawing Sheets**



(56)

References Cited

U.S. PATENT DOCUMENTS

744,113 A 11/1903 Rye  
 1,564,776 A 12/1925 Green  
 1,606,954 A 11/1926 Moen et al.  
 2,387,779 A 10/1945 Strauss  
 2,492,841 A 12/1949 Burkey  
 2,521,815 A 9/1950 Will  
 2,663,472 A 12/1953 Belgau  
 2,784,888 A 3/1957 Lecanu-Deschamps  
 2,800,264 A 7/1957 McFadyen  
 2,967,635 A 1/1961 Barnett  
 3,158,301 A 11/1964 Hedgepeth  
 3,215,323 A 11/1965 Bonitt  
 3,260,929 A 7/1966 Hedgepeth  
 3,330,454 A 7/1967 Bott  
 3,531,006 A 9/1970 Farchmin  
 D223,753 S 6/1972 Seals  
 3,762,587 A 10/1973 Longee, Sr.  
 3,765,713 A 10/1973 Suitt  
 3,902,642 A 9/1975 McNeece  
 3,905,499 A 9/1975 Speidel  
 D243,447 S 2/1977 Smith, III et al.  
 4,240,571 A 12/1980 Ernst  
 4,249,683 A 2/1981 Park  
 4,336,897 A 6/1982 Luck  
 4,350,471 A 9/1982 Lehman  
 4,817,834 A 4/1989 Weiler  
 4,948,024 A 8/1990 Warner et al.  
 4,995,538 A 2/1991 Marengo  
 D324,664 S 3/1992 Burnette  
 5,171,083 A 12/1992 Rich  
 5,320,061 A 6/1994 Laughlin et al.  
 5,381,939 A 1/1995 Tippets  
 D359,134 S 6/1995 Toews  
 5,560,525 A 10/1996 Grohmann et al.  
 D406,557 S 3/1999 Bentley  
 D413,562 S 9/1999 Van Dusen et al.  
 6,003,633 A 12/1999 Rolson  
 6,015,074 A 1/2000 Snavely et al.  
 D422,553 S 4/2000 VonDuyke  
 6,116,378 A 9/2000 Barrow  
 6,126,051 A 10/2000 Potter  
 D434,364 S 11/2000 Bauer et al.  
 6,152,339 A 11/2000 Kreisler  
 D434,718 S 12/2000 Kreisler  
 D435,510 S 12/2000 Quidort  
 6,179,180 B1 1/2001 Walker et al.  
 D442,289 S 5/2001 Ziaylek et al.  
 6,308,874 B1 10/2001 Kim et al.  
 6,425,508 B1 7/2002 Cole et al.  
 6,428,263 B1 8/2002 Schellens  
 D463,358 S 9/2002 Thomas  
 D470,451 S 2/2003 Bushart et al.  
 6,561,397 B1 5/2003 Bauer et al.  
 6,581,813 B2 6/2003 Bove et al.  
 D477,562 S 7/2003 McCoy et al.  
 6,604,606 B1 8/2003 McDougal et al.  
 D479,884 S 9/2003 Berryman  
 D481,003 S 10/2003 Bauer et al.  
 6,715,652 B2 4/2004 Kmita et al.  
 D490,163 S 5/2004 Thurston  
 6,739,349 B2 5/2004 Kastenschmid et al.  
 6,755,332 B2 6/2004 Crane et al.  
 6,772,928 B2 8/2004 Ford et al.  
 D508,015 S 8/2005 Badillo  
 D512,783 S 12/2005 Badillo  
 D520,938 S 5/2006 Badillo  
 7,055,454 B1 6/2006 Whiting et al.  
 D537,404 S 2/2007 Bauer et al.  
 7,226,226 B2 \* 6/2007 Troman ..... B41J 33/04  
 347/217  
 7,226,266 B2 6/2007 Henderson et al.  
 7,249,927 B2 7/2007 Wooten et al.  
 D549,838 S 8/2007 Badillo  
 D558,123 S 12/2007 Murillo  
 D564,419 S 3/2008 Clontz

D578,952 S \* 10/2008 Badillo ..... D12/406  
 D603,321 S \* 11/2009 Kramer ..... D12/412  
 D621,328 S 8/2010 Sistare et al.  
 D624,005 S 9/2010 Winner et al.  
 D638,333 S 5/2011 Freeman  
 D650,316 S 12/2011 Pirolo et al.  
 8,496,146 B2 7/2013 Badillo  
 D765,577 S 9/2016 Kmita et al.  
 D772,783 S 11/2016 Schleef  
 9,676,343 B2 6/2017 Badillo  
 D793,946 S 8/2017 Badillo  
 D815,012 S \* 4/2018 Badillo ..... D12/412  
 D825,924 S \* 8/2018 Tuang ..... D3/306  
 2005/0082326 A1 \* 4/2005 Badillo ..... B60R 9/00  
 224/326  
 2005/0092796 A1 \* 5/2005 Essig ..... B60R 9/00  
 224/321  
 2005/0095102 A1 5/2005 Watson  
 2011/0101056 A1 \* 5/2011 Barkey ..... B60R 9/052  
 224/321  
 2017/0203697 A1 7/2017 Badillo

OTHER PUBLICATIONS

Official Action for U.S. Appl. No. 15/586,769, dated Dec. 5, 2017  
 9 pages.  
 U.S. Appl. No. 29/640,814, filed Mar. 16, 2018, Badillo.  
 U.S. Appl. No. 10/948,972, filed Sep. 24, 2004.  
 U.S. Appl. No. 29/303,917, filed Feb. 20, 2008 now U.S. Pat. No.  
 D578,952.  
 U.S. Appl. No. 29/177,928, filed Mar. 17, 2003 now U.S. Pat. No.  
 D508,015.  
 U.S. Appl. No. 29/233,827, filed Jul. 8, 2005 now U.S. Pat. No.  
 D520,938.  
 U.S. Appl. No. 29/183,072, filed Jun. 4, 2003 now U.S. Pat. No.  
 D512,783.  
 U.S. Appl. No. 29/246,929, filed May 22, 2006 now U.S. Pat. No.  
 D549,838.  
 U.S. Appl. No. 12/861,034, filed Aug. 23, 2010 now U.S. Pat. No.  
 8,496,146.  
 U.S. Appl. No. 13/942,489, filed Jul. 15, 2013 now U.S. Pat. No.  
 9,676,343.  
 U.S. Appl. No. 29/535,865, filed Aug. 11, 2015.  
 U.S. Appl. No. 29/535,957, filed Aug. 12, 2015 now U.S. Pat. No.  
 D793,946.  
 U.S. Appl. No. 29/612,927, filed Aug. 4, 2017.  
 U.S. Appl. No. 29/612,924, filed Aug. 4, 2017.  
 U.S. Appl. No. 29/612,930, filed Aug. 4, 2017.  
 U.S. Appl. No. 15/586,769, filed May 4, 2017.  
 U.S. Appl. No. 29/535,865, filed Aug. 11, 2015, Badillo.  
 U.S. Appl. No. 15/586,769, filed May 4, 2017, Badillo.  
 U.S. Appl. No. 29/612,924, filed Aug. 4, 2017, Badillo.  
 U.S. Appl. No. 29/612,927, filed Aug. 4, 2017, Badillo.  
 U.S. Appl. No. 29/612,930, filed Aug. 4, 2017, Badillo.  
 Advertisement: Yakima Spare Tire Carrier, Cargo Basket for Roof  
 Racks, available at [http://www.rackoutfitters.com/catalog/yakima\\_spare\\_tire\\_carrier\\_1836640.htm](http://www.rackoutfitters.com/catalog/yakima_spare_tire_carrier_1836640.htm), dated Jul. 7, 2003, 1 page.  
 Advertisement: Thule 840-Playpen Basket, Cargo Basket for Roof  
 Racks, available at [http://www.rackoutfitters.com/catalog/thule\\_840\\_-\\_playpen\\_basket\\_1885452.htm](http://www.rackoutfitters.com/catalog/thule_840_-_playpen_basket_1885452.htm), dated Jul. 7, 2003, 1 page.  
 Advertisement: SURCO, Products, Inc., "Basket rack—it just flat  
 out carries what you need to take," available at [http://www.everythingsuv.com/surco\\_safari\\_roof\\_racks-esuv.asp](http://www.everythingsuv.com/surco_safari_roof_racks-esuv.asp), dated Jul. 7,  
 2003, 10 pages.  
 Advertisement: KargoMaster, Kargo Master Safari Racks, available  
 at [http://www.kargomaster.com/jeep23.asp?rack=sport\\_jeep](http://www.kargomaster.com/jeep23.asp?rack=sport_jeep), Jul. 7,  
 2007, 1 page.  
 Advertisement: KargoMaster, The Bushman Steel Rack, available at  
<http://www.kargomaster.com/bushman.asp?type=Jeep>, dated Jul. 7,  
 2003, 1 page.  
 Advertisement: KargoMaster, Seregenti Telescoping Steel Rack,  
 available at <http://www.kargomaster.com/seregenti.asp?type=Jeep>,  
 dated Jul. 7, 2003, 1 page.

(56)

**References Cited**

## OTHER PUBLICATIONS

Advertisement: Bauer Vehicle Gear Roof Racks, Roof Storage, Bike Storage & Pet Barriers from Eve, available at [http://www.everythingsuv.com/bvg\\_products-esuv.asp](http://www.everythingsuv.com/bvg_products-esuv.asp), Jul. 7, 2003, 2 pages.

Advertisement: Manik Original Off-Road Equipment, Hummer Rough Terrain Package New Product Release "Tilt-Forward 1-Piece Front Bar," 2002, 1 page.

Advertisement: Manik Original Off-Road Equipment, Hummer Rough Terrain Package New Product Release "Combination Tube Step Rocker Bar," 2002, 1 page.

Advertisement: Congo Cage Jeep Rack, available at <http://www.kargomaster.com/item.asp?id=62>, printed Apr. 17, 2009, 13 pages.

Product Literature entitled, "921—Dave's Rack 921-12X," Olympic 4x4, date unknown, 10 pages.

Advertisement: 921—Daves Rack, Olympic 4x4 Products for over 60 years, available at <http://olympic4X4products.com/utility-racks/921-daves-rack>, printed Jan. 14, 2011, 3 pages.

"Installation Guide: BR-JPTJ2D-1-0 BajaRack Jeep TJ 2 Doors," BajaRack Adventure Equipment, 4 page, first sold 2013.

"BR-JPJK-Series Installation Instructions," BajaRack Adventure Equipment, 5 pages, first sold 2013.

"Installation Guide: BR-JP-JK4D-1-0 BajaRack Jeep JK 4 Doors," BajaRack Adventure Equipment, 6 pages, first sold 2013.

Official Action for U.S. Appl. No. 12/861,034 dated Oct. 4, 2012, 16 pages.

Notice of Allowance for U.S. Appl. No. 12/861,034 dated Mar. 29, 2013, 7 pages.

Official Action for U.S. Appl. No. 13/942,489 dated May 3, 2016, 11 pages.

Final Action for U.S. Appl. No. 13/942,489 dated Sep. 29, 2016, 15 pages.

Notice of Allowance for U.S. Appl. No. 13/942,489 dated Feb. 7, 2017, 5 pages.

Official Action for U.S. Appl. No. 29/535,865 dated Aug. 23, 2016, 5 pages.

Final Action for U.S. Appl. No. 29/535,865 dated Feb. 2, 2017, 8 pages.

Notice of Allowance for U.S. Appl. No. 29/535,957 dated Mar. 27, 2017, 6 pages.

Official Action for U.S. Appl. No. 15/586,769 dated Jul. 17, 2017 14 pages.

Official Action for U.S. Appl. No. 29/535,865, dated Jun. 28, 2018, 9 pages.

Official Action for U.S. Appl. No. 15/586769, dated Jun. 26, 2018, 8 pages.

Official Action for U.S. Appl. No. 15/344244, dated Jun. 21, 2018, 11 pages.

Notice of Allowance for U.S. Appl. No. 29/612,927 dated Sep. 27, 2018, 7 pages.

Notice of Allowance for U.S. Appl. No. 29/612,924 dated Sep. 27, 2018, 7 pages.

Notice of Allowance for U.S. Appl. No. 29/612,930, dated Sep. 27, 2018, 7 pages.

\* cited by examiner

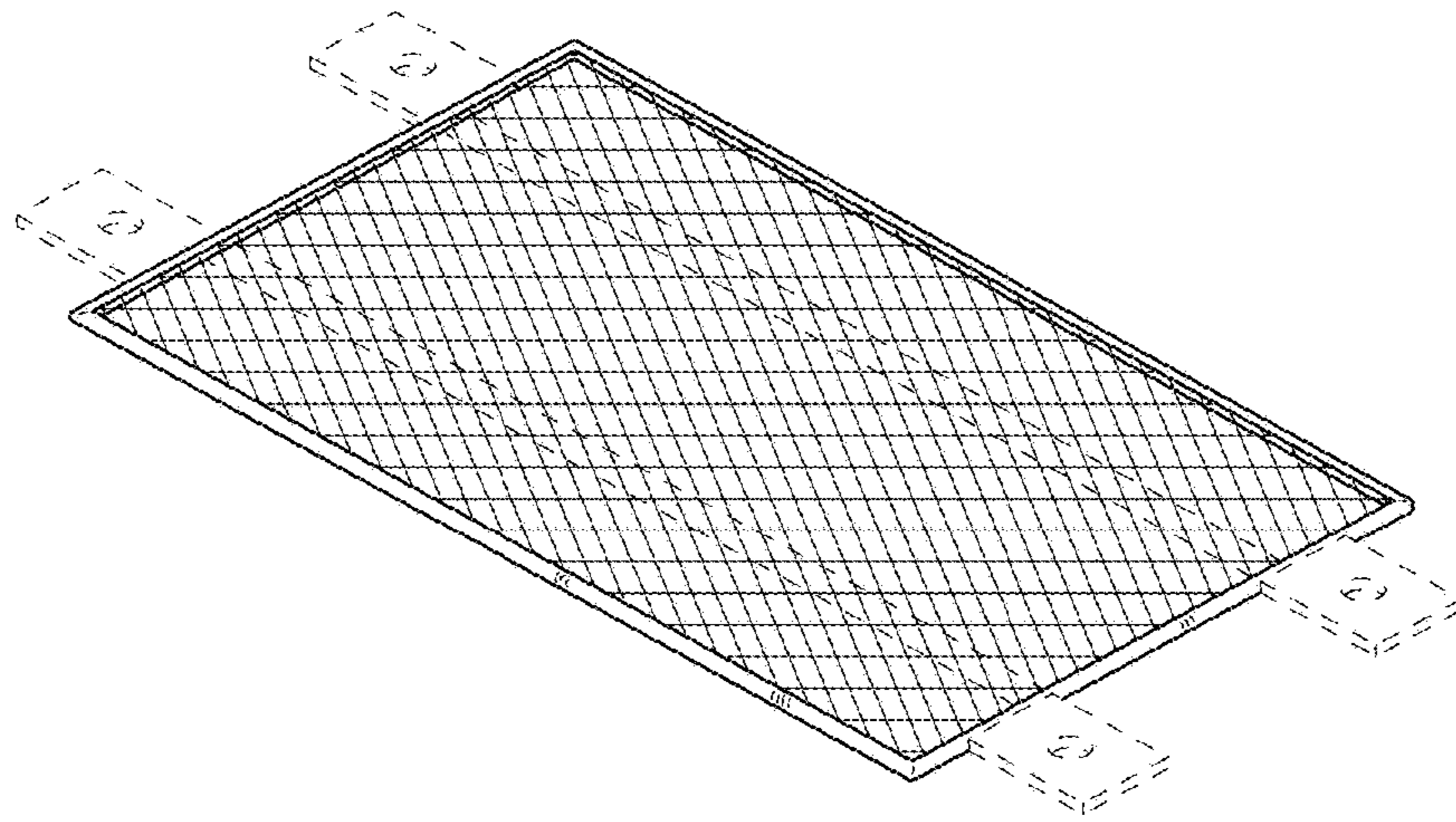


FIG.1

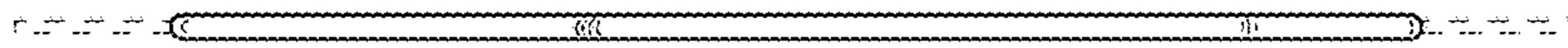


FIG. 2

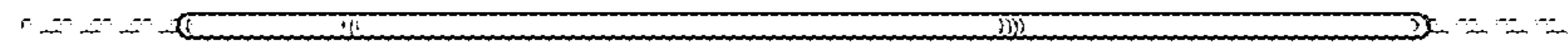


FIG. 3

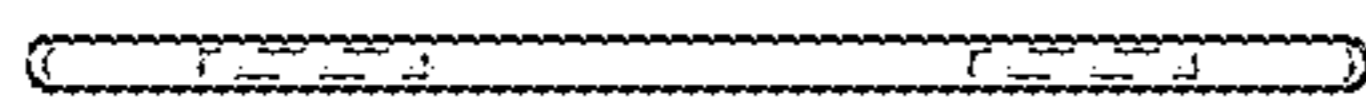


FIG. 4

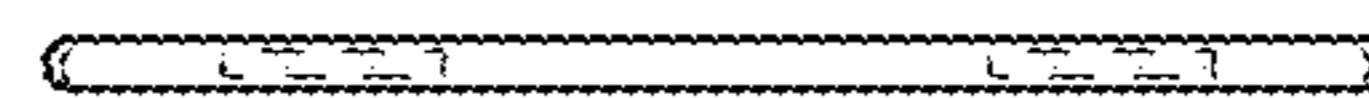


FIG. 5

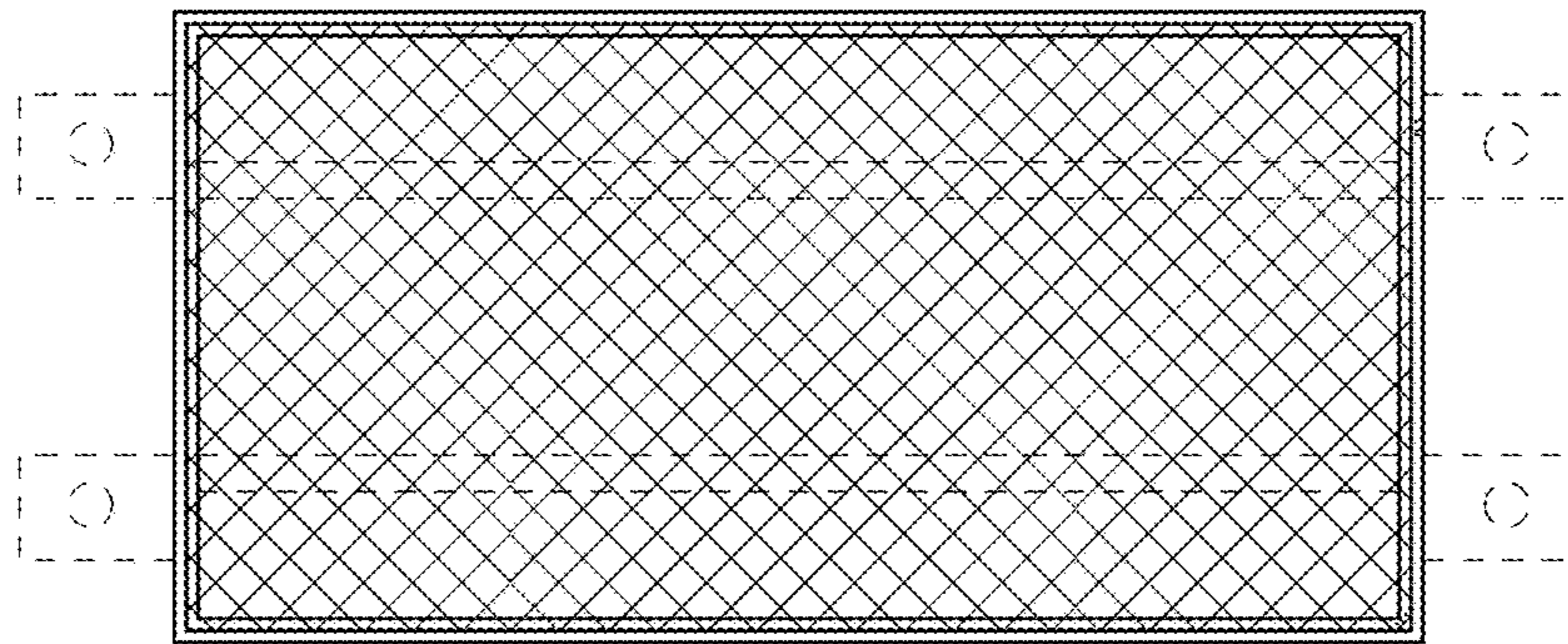


FIG. 6

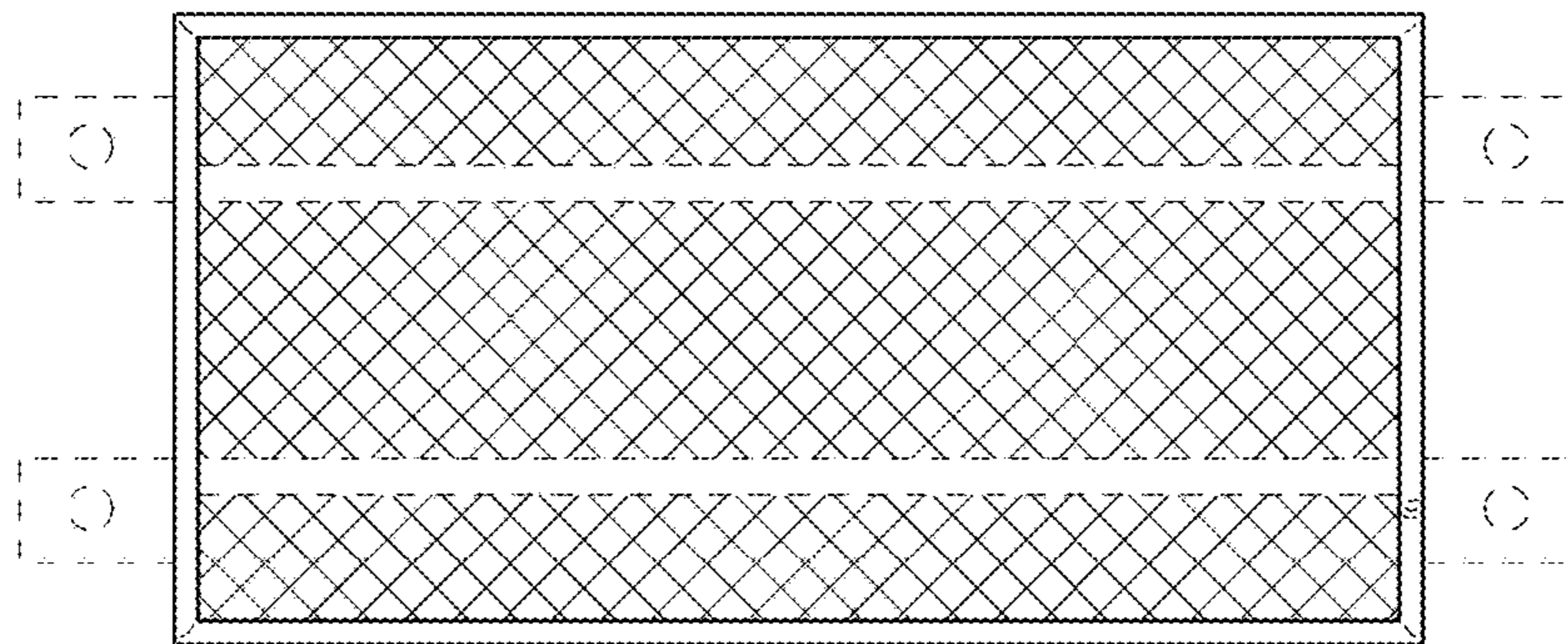


FIG. 7

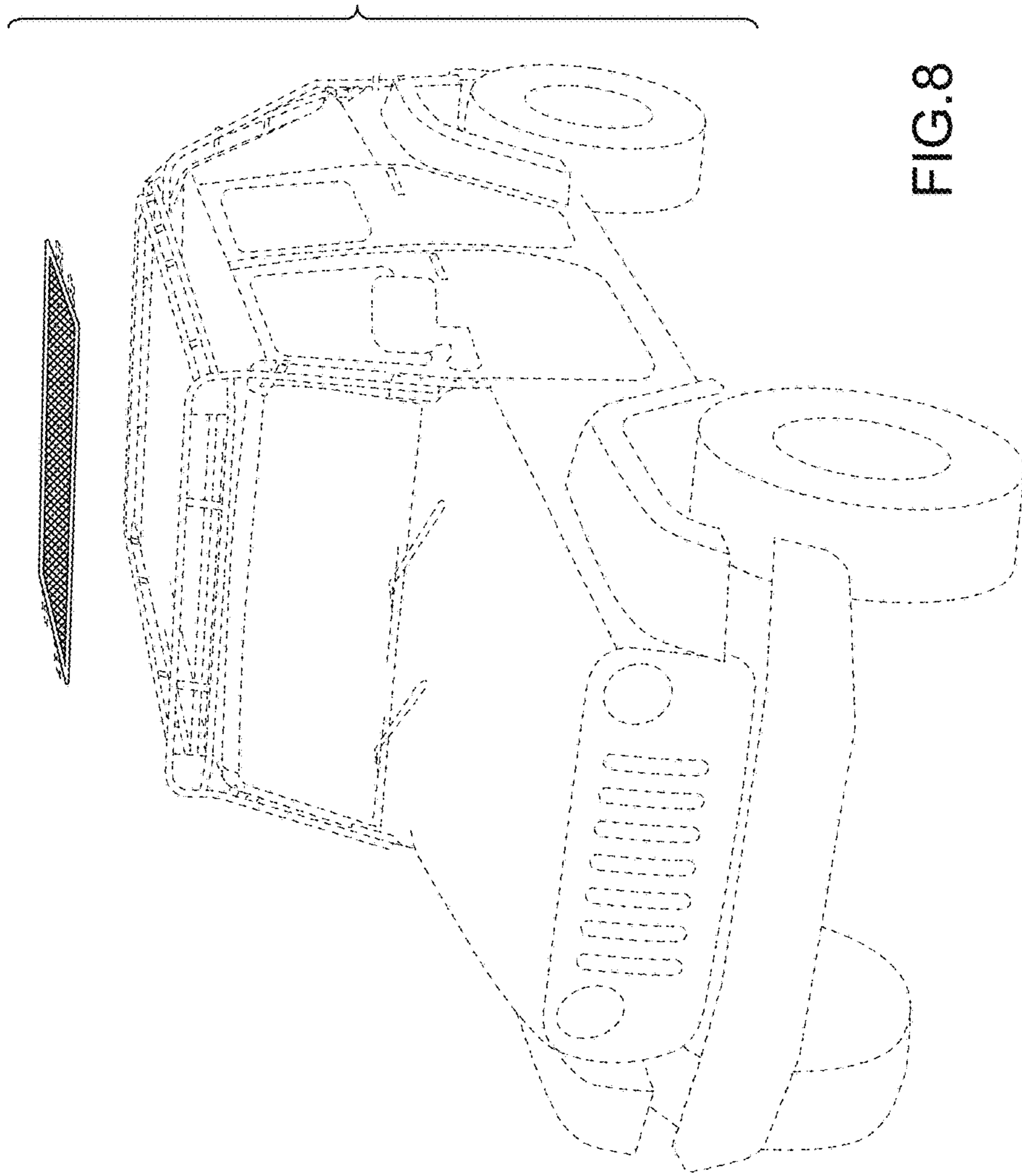


FIG. 8

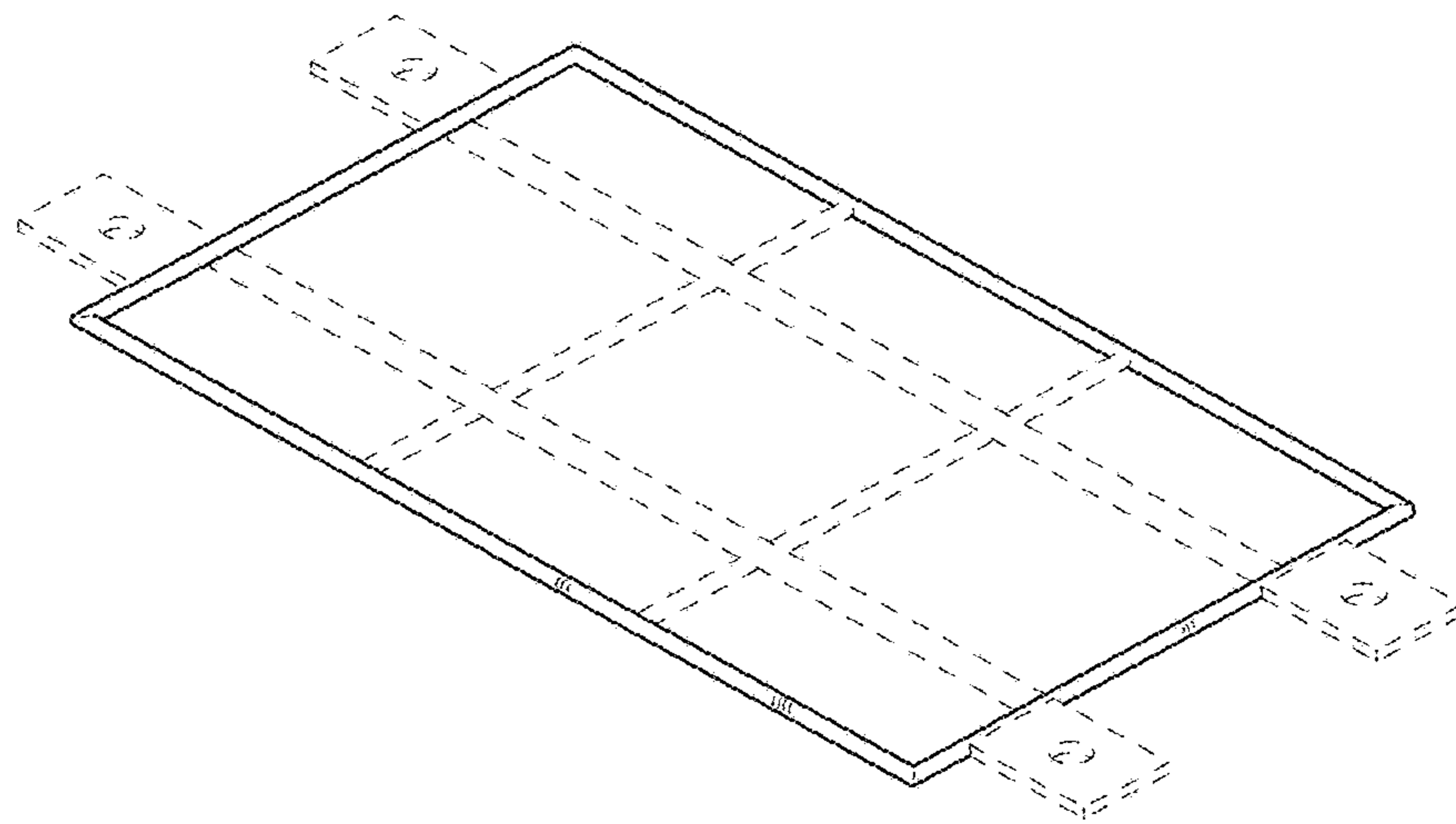


FIG. 9



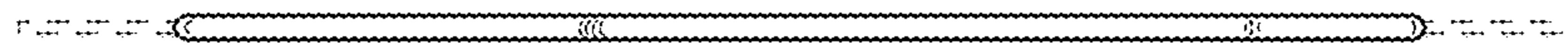


FIG.10

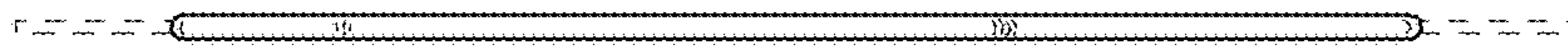


FIG.11

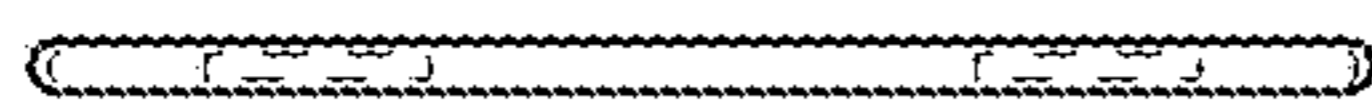


FIG.12

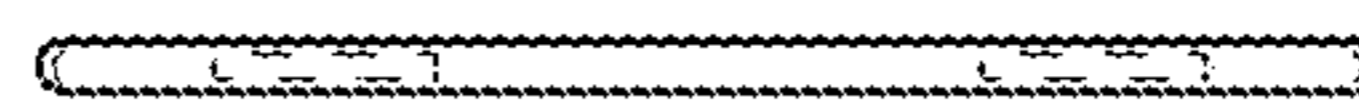


FIG.13

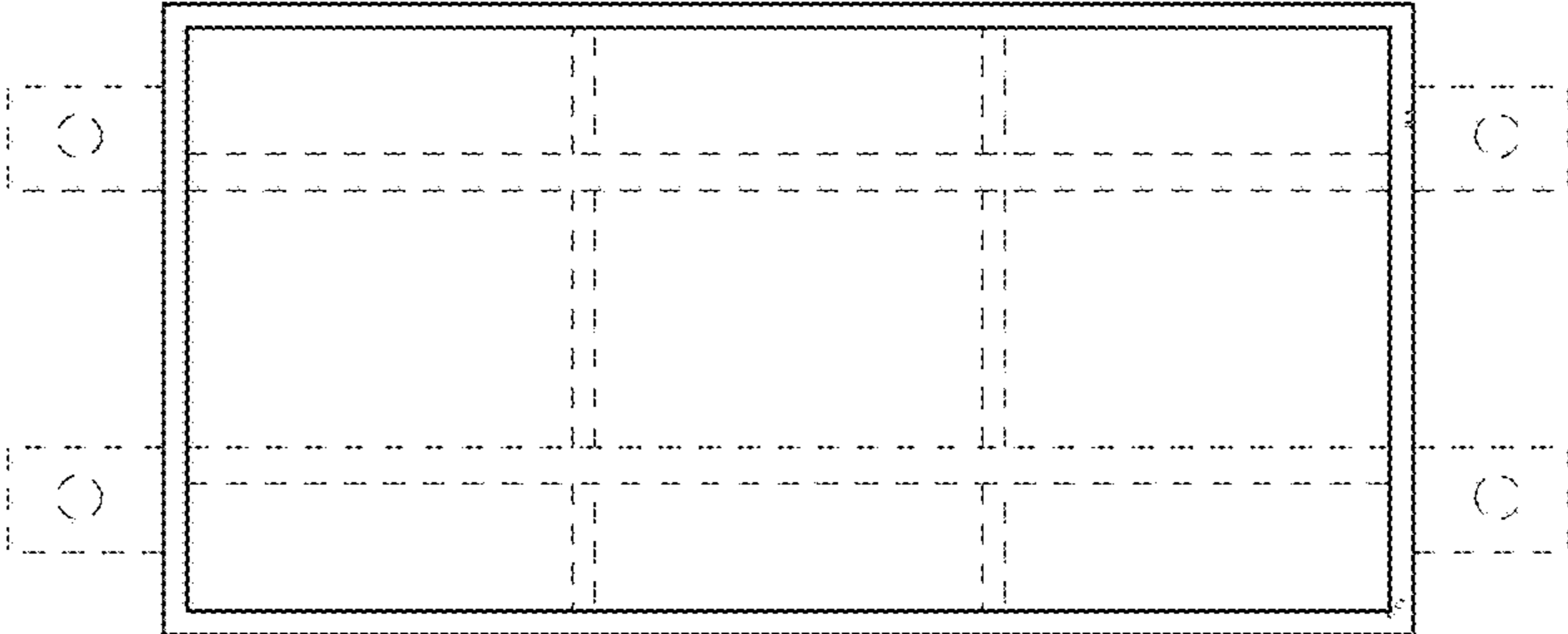


FIG.14

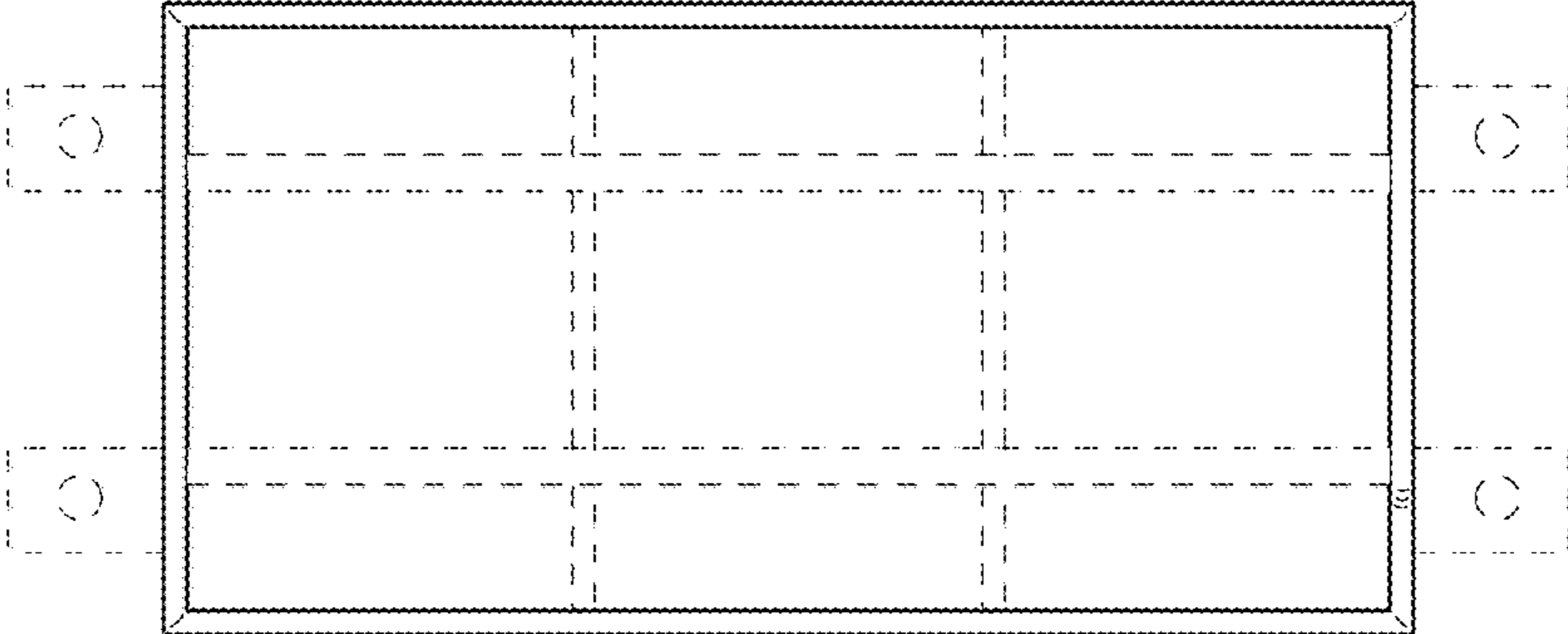


FIG.15

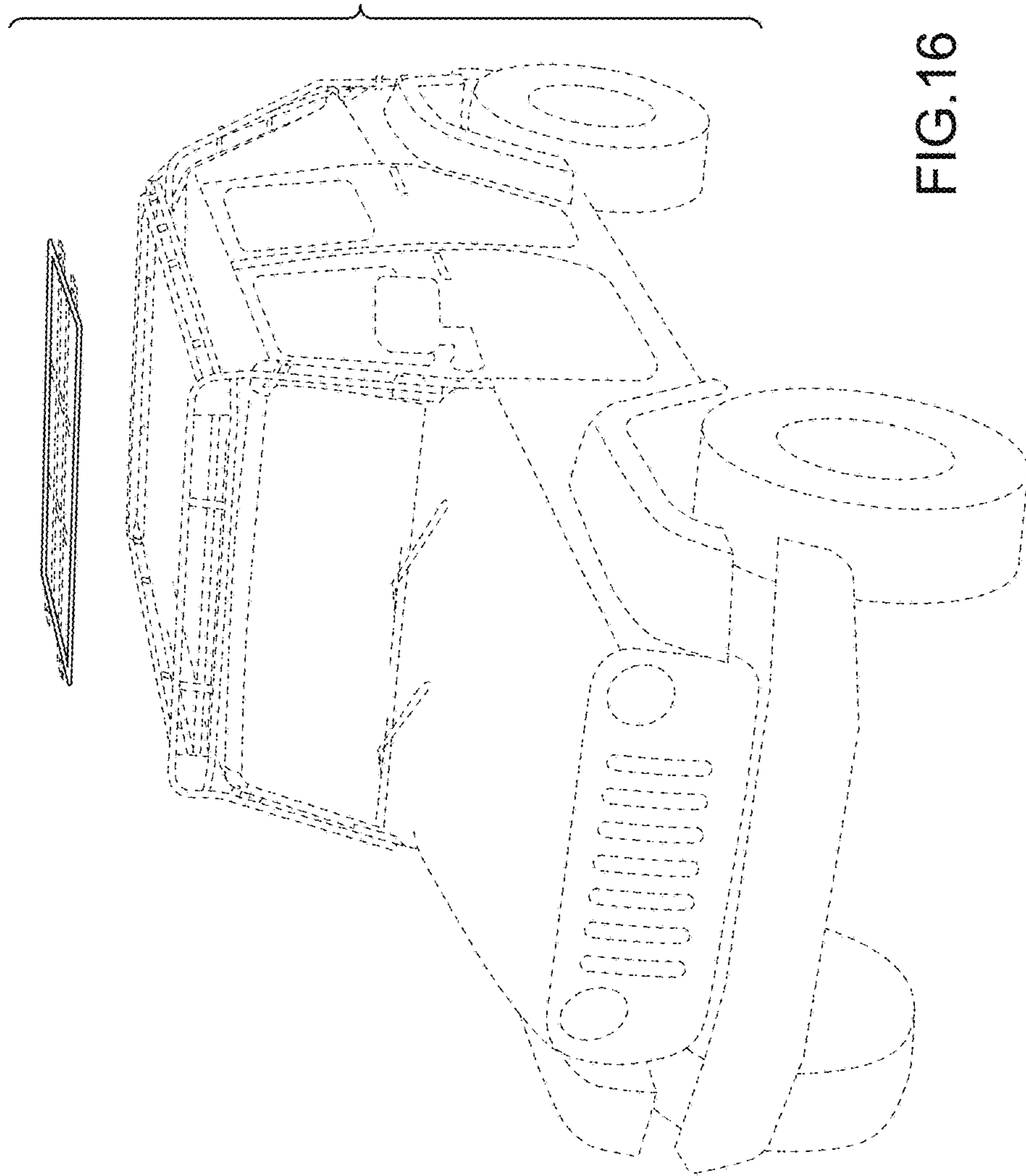


FIG.16