



US00D849664S

(12) **United States Design Patent**  
**Rejkowski et al.**

(10) **Patent No.:** **US D849,664 S**

(45) **Date of Patent:** **\*\* May 28, 2019**

(54) **ACCESSORY FOR VEHICLE HEATING AND AIR CONDITIONING SYSTEMS**

(71) Applicants: **Michael W. Rejkowski**, Irving, TX (US); **Stephen J Sexton**, McKinney, TX (US)

(72) Inventors: **Michael W. Rejkowski**, Irving, TX (US); **Stephen J Sexton**, McKinney, TX (US)

(73) Assignee: **Classic Auto Air Manufacturing LP**, Chagrin Falls, OH (US)

(\*\*) Term: **15 Years**

(21) Appl. No.: **29/539,301**

(22) Filed: **Sep. 11, 2015**

(51) **LOC (11) Cl.** ..... **12-07**

(52) **U.S. Cl.**  
USPC ..... **D12/324**

(58) **Field of Classification Search**  
USPC ..... D23/327, 324, 352, 326; D12/192  
CPC .. F24F 7/00; F24F 7/013; F24F 13/082; F24F 13/10; F24F 13/16; B64D 2013/003; B60H 1/00464; B60H 1/3435; B60H 1/00564; B60H 1/00842; B60H 1/3414; B60H 1/0075; B60H 1/34; B60H 1/3442; B60H 1/3407; B60H 1/345

See application file for complete search history.

(56) **References Cited**

**U.S. PATENT DOCUMENTS**

5,065,667	A	11/1991	Ziegler	
5,220,805	A	6/1993	Fukudomi	
5,700,191	A	12/1997	Nieling et al.	
5,797,791	A	8/1998	Humphrey et al.	
5,800,259	A *	9/1998	Olney	F24F 13/08 454/108
5,967,891	A	10/1999	Riley et al.	

6,059,652	A *	5/2000	Terry	B60H 1/3428 454/154
6,066,225	A	5/2000	Lopes	
D445,049	S	7/2001	Lee	
6,342,003	B1 *	1/2002	Wang	B60H 1/345 422/122
6,378,388	B1	4/2002	Lacroix	
D491,853	S	6/2004	Sato et al.	
D494,906	S	8/2004	Pfeiffer	

(Continued)

**OTHER PUBLICATIONS**

<https://www.youtube.com/watch?v=cxGyJnBNGAI> Restomod Air GM Replacement Vent Spin Published on Jun. 17, 2015 2 pages.\*

*Primary Examiner* — T Chase Nelson

*Assistant Examiner* — Ania Aman

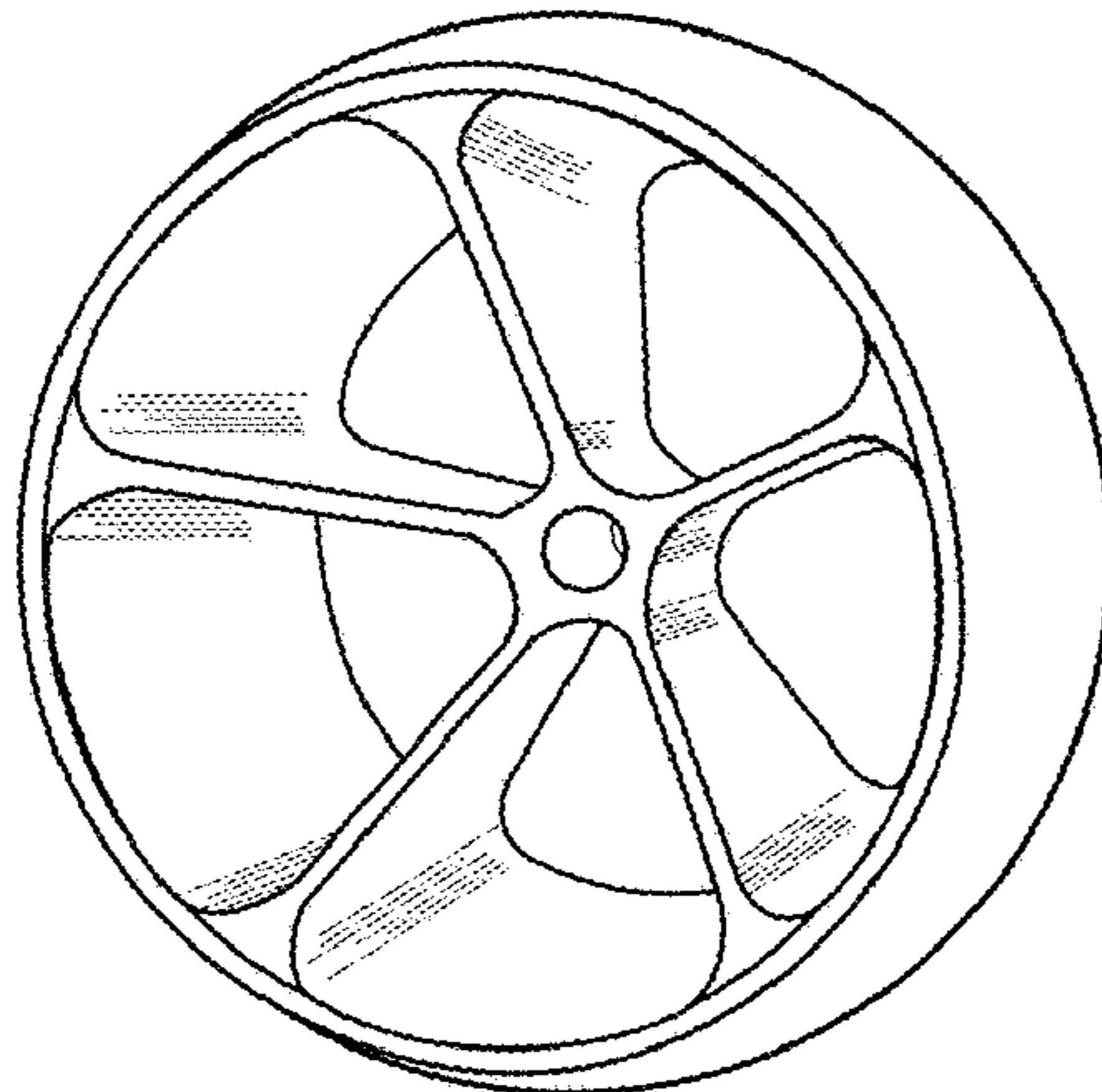
(57) **CLAIM**

The ornamental design for an accessory for vehicle heating and air conditioning systems, as shown and described.

**DESCRIPTION**

FIG. 1 is a perspective front view of an accessory for vehicle heating and air conditioning systems showing our new design; FIG. 2 is a top plan view of the accessory for vehicle heating and air conditioning systems of FIG. 1; FIG. 3 is a front elevation view of the accessory for vehicle heating and air conditioning systems of FIG. 1; FIG. 4 is a right side elevation view of the accessory for vehicle heating and air conditioning systems of FIG. 1; FIG. 5 is a left side elevation view of the accessory for vehicle heating and air conditioning systems of FIG. 1; FIG. 6 is a bottom plan view of the accessory for vehicle heating and air conditioning systems of FIG. 1; and, FIG. 7 is a rear elevation view of the accessory for vehicle heating and air conditioning systems of FIG. 1. In the drawings, broken lines depict unclaimed subject matter only and form no part of the claimed design.

**1 Claim, 2 Drawing Sheets**



(56)

**References Cited**

U.S. PATENT DOCUMENTS

D496,806	S	10/2004	Chang	
D506,819	S	6/2005	Stobart	
D514,968	S	2/2006	Tahira et al.	
7,040,104	B2	5/2006	Bogner et al.	
D528,485	S	9/2006	Montijo et al.	
D535,732	S	1/2007	Klopp, III	
D537,520	S	2/2007	Nishizawa	
D577,641	S	9/2008	Wyszogrod et al.	
D603,493	S *	11/2009	Fraser .....	D23/327
D641,673	S	7/2011	Zimmermann et al.	
8,057,288	B2	11/2011	Konet	
D674,884	S	1/2013	Rejkowski et al.	
D674,885	S	1/2013	Rejkowski et al.	
D680,204	S	4/2013	Rejkowski et al.	
D686,307	S	7/2013	Rejkowski et al.	
D695,882	S	12/2013	Rejkowski et al.	
8,740,677	B2	6/2014	Steinbeiss et al.	
8,834,241	B2	9/2014	Uhlenbusch	
D723,144	S	2/2015	Rejkowski et al.	
D723,145	S	2/2015	Rejkowski et al.	
9,457,907	B2 *	10/2016	Brown .....	B64D 13/00
9,707,826	B2 *	7/2017	Brinas .....	B60H 1/34
9,718,329	B2 *	8/2017	Brinas .....	B60H 1/3442
2002/0119745	A1 *	8/2002	Thomassin .....	B60H 1/3442 454/76
2006/0092129	A1	5/2006	Choquet et al.	
2006/0172681	A1 *	8/2006	Steinbeiss .....	B60H 1/3442 454/152
2006/0175422	A1	8/2006	Hall	

\* cited by examiner

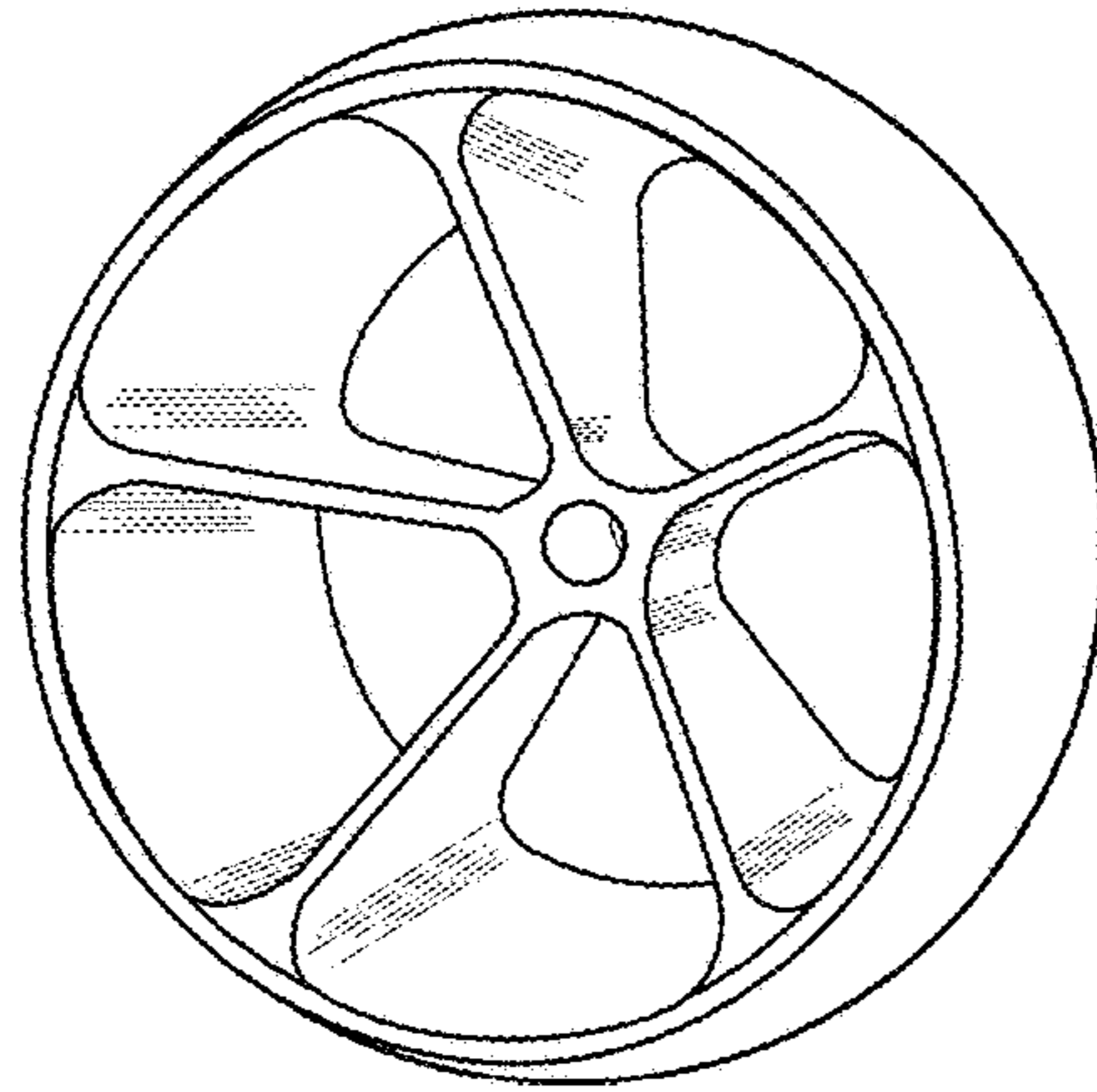


Fig.1

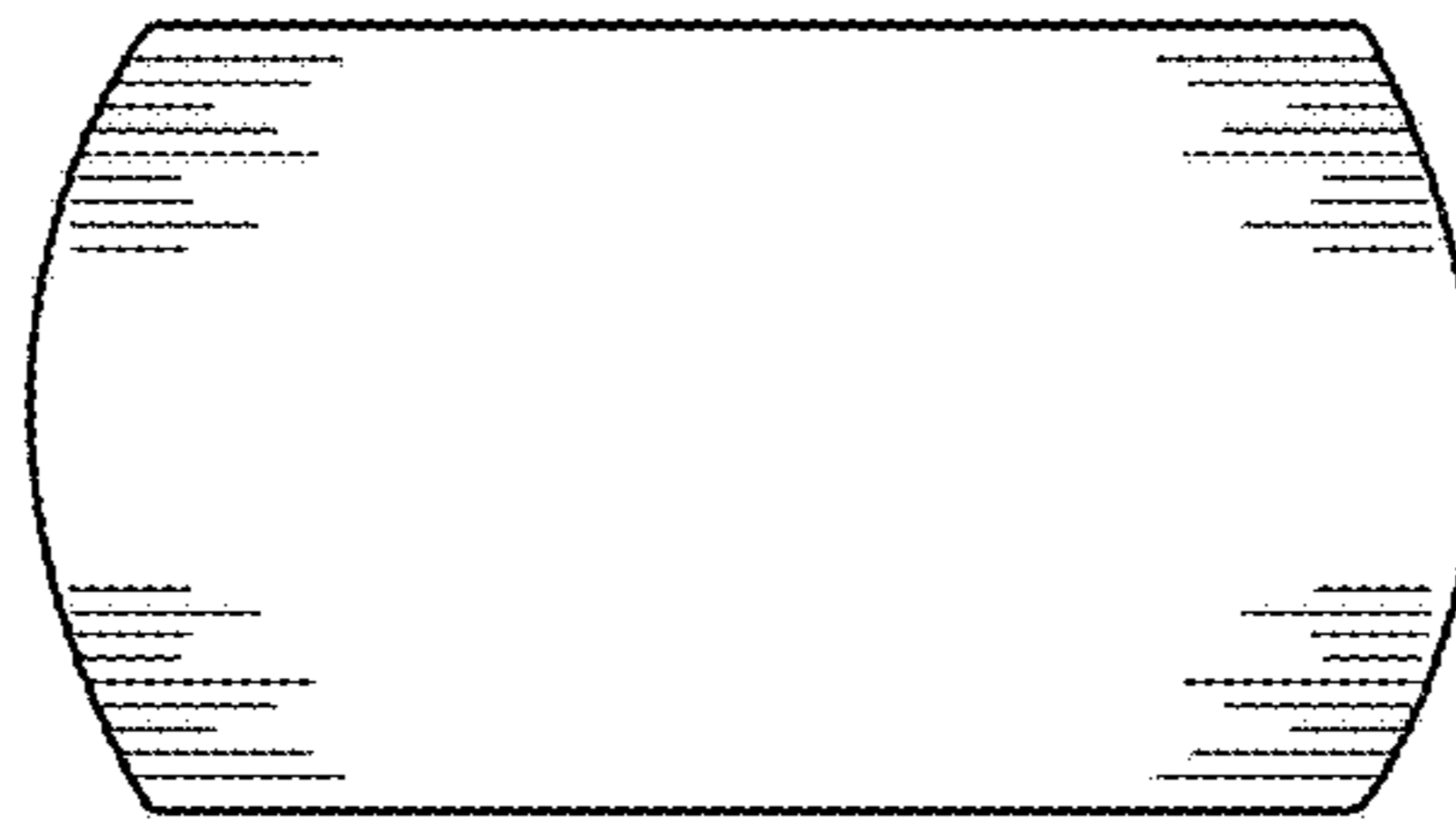


Fig.2

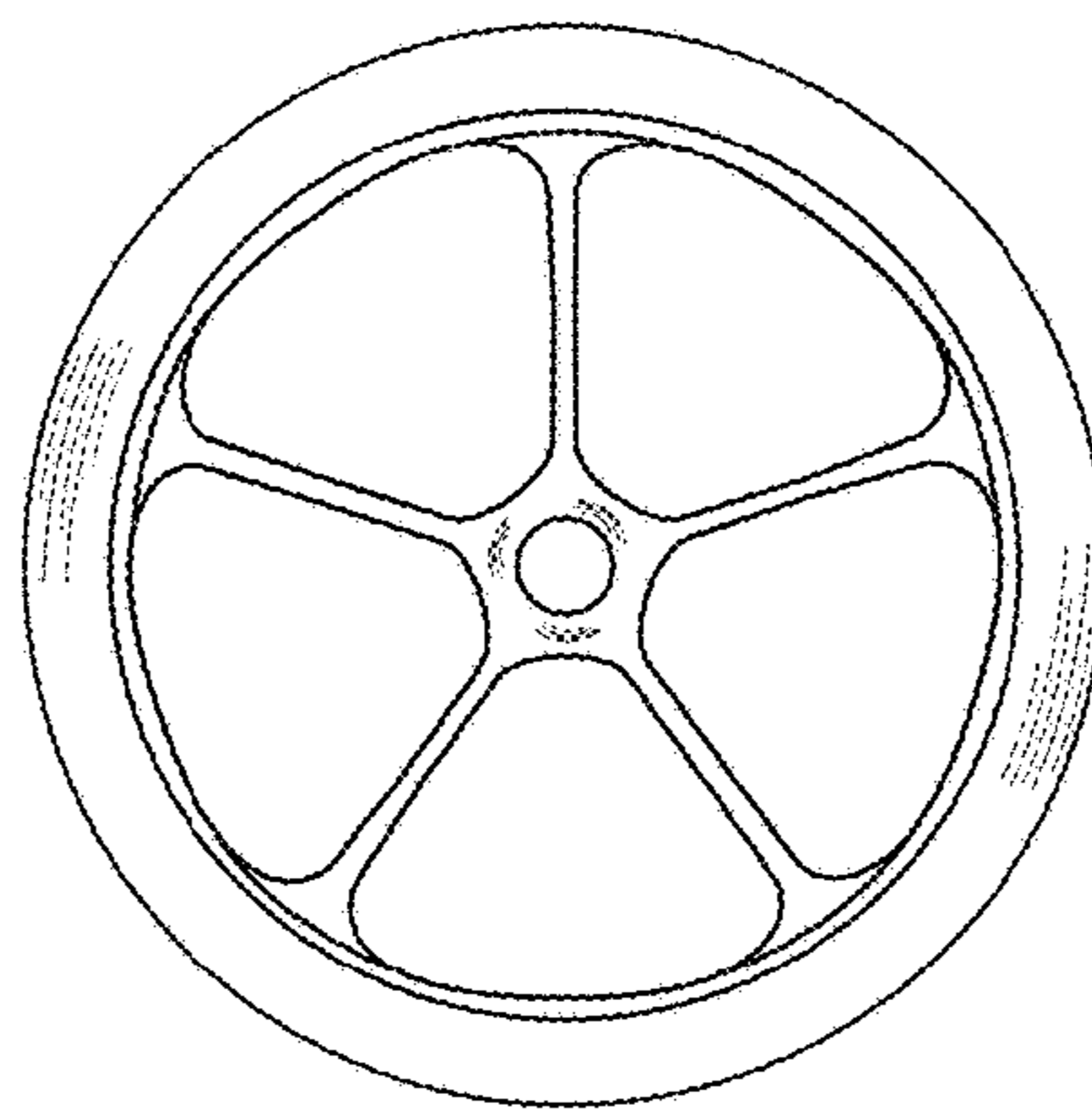


Fig.3

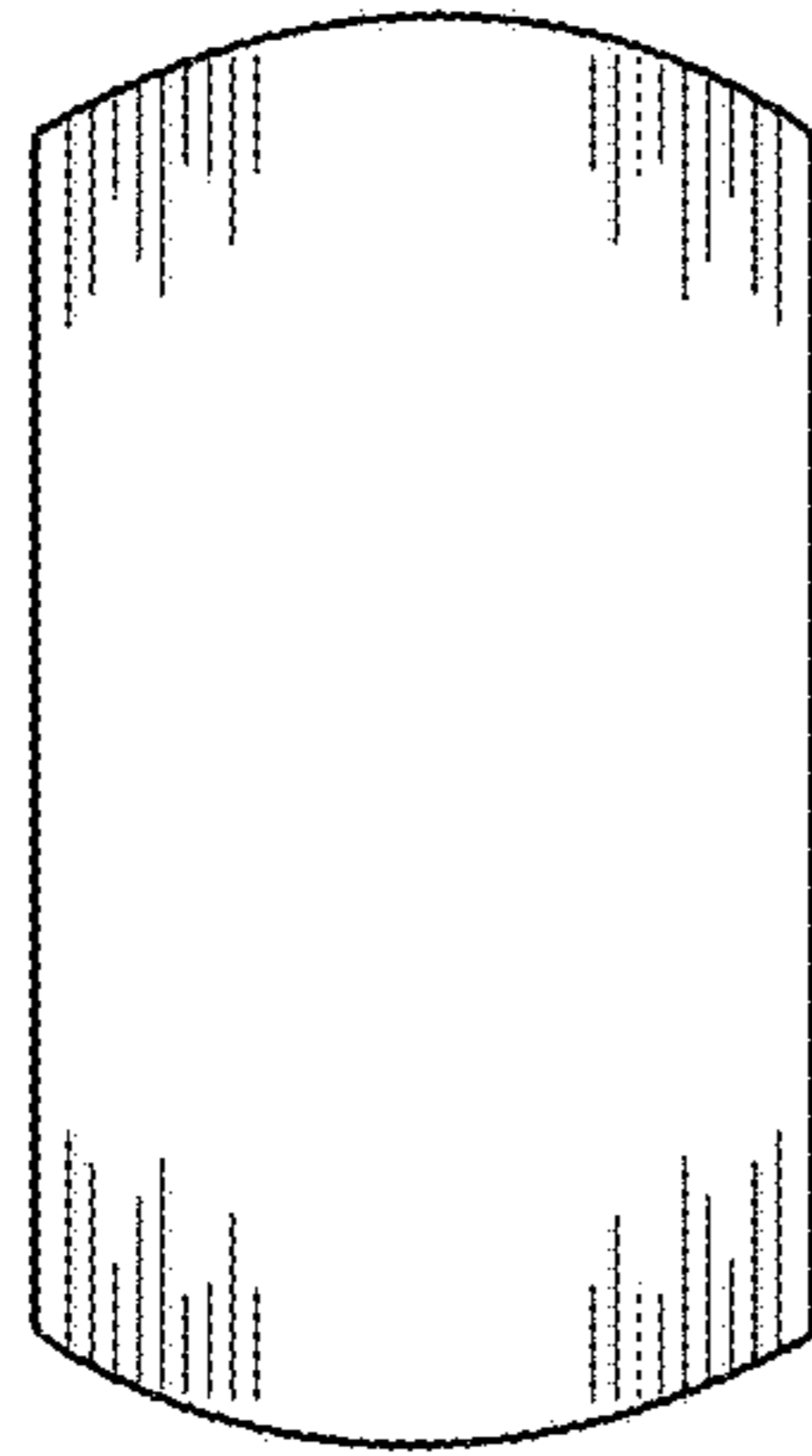


Fig.4

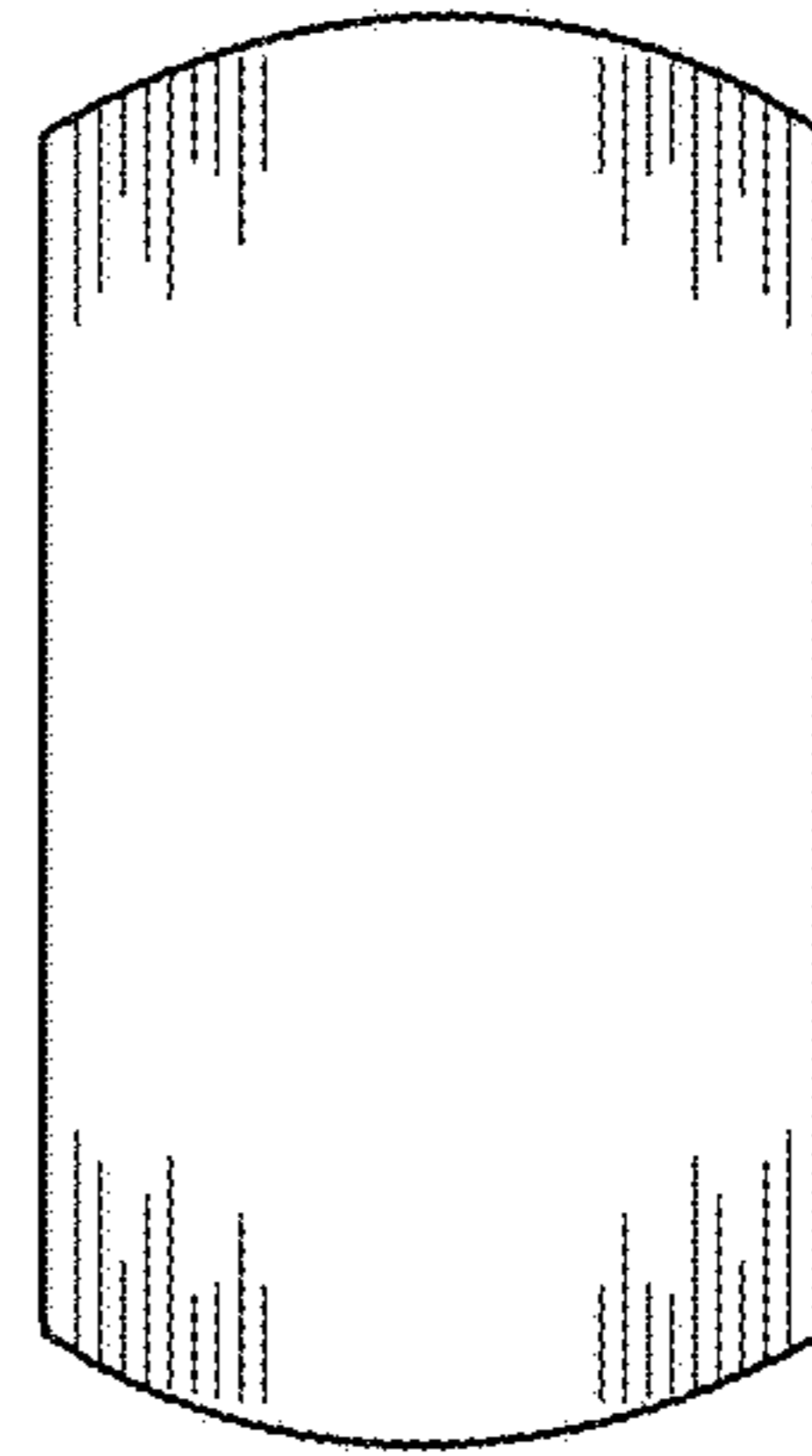


Fig.5

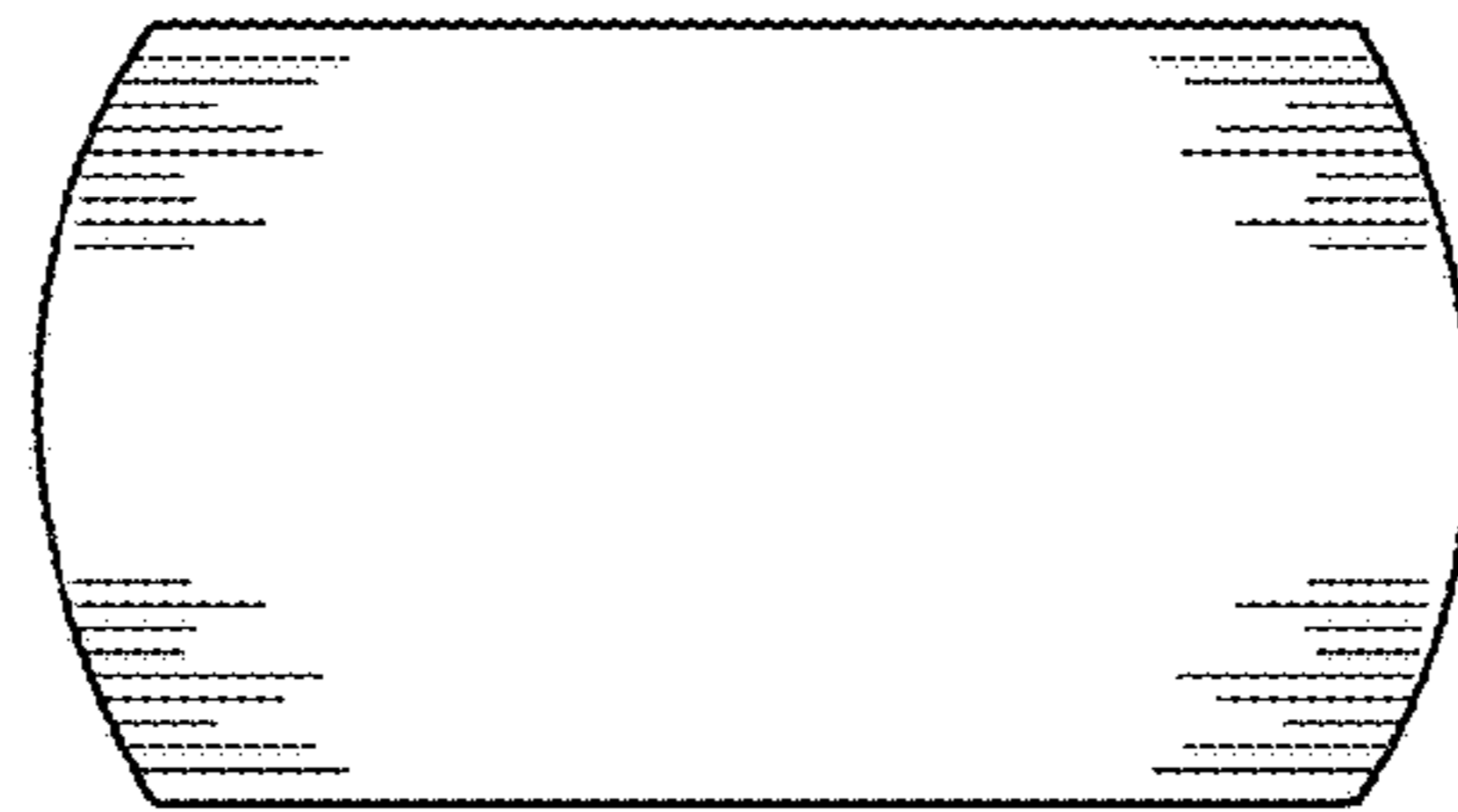


Fig.6

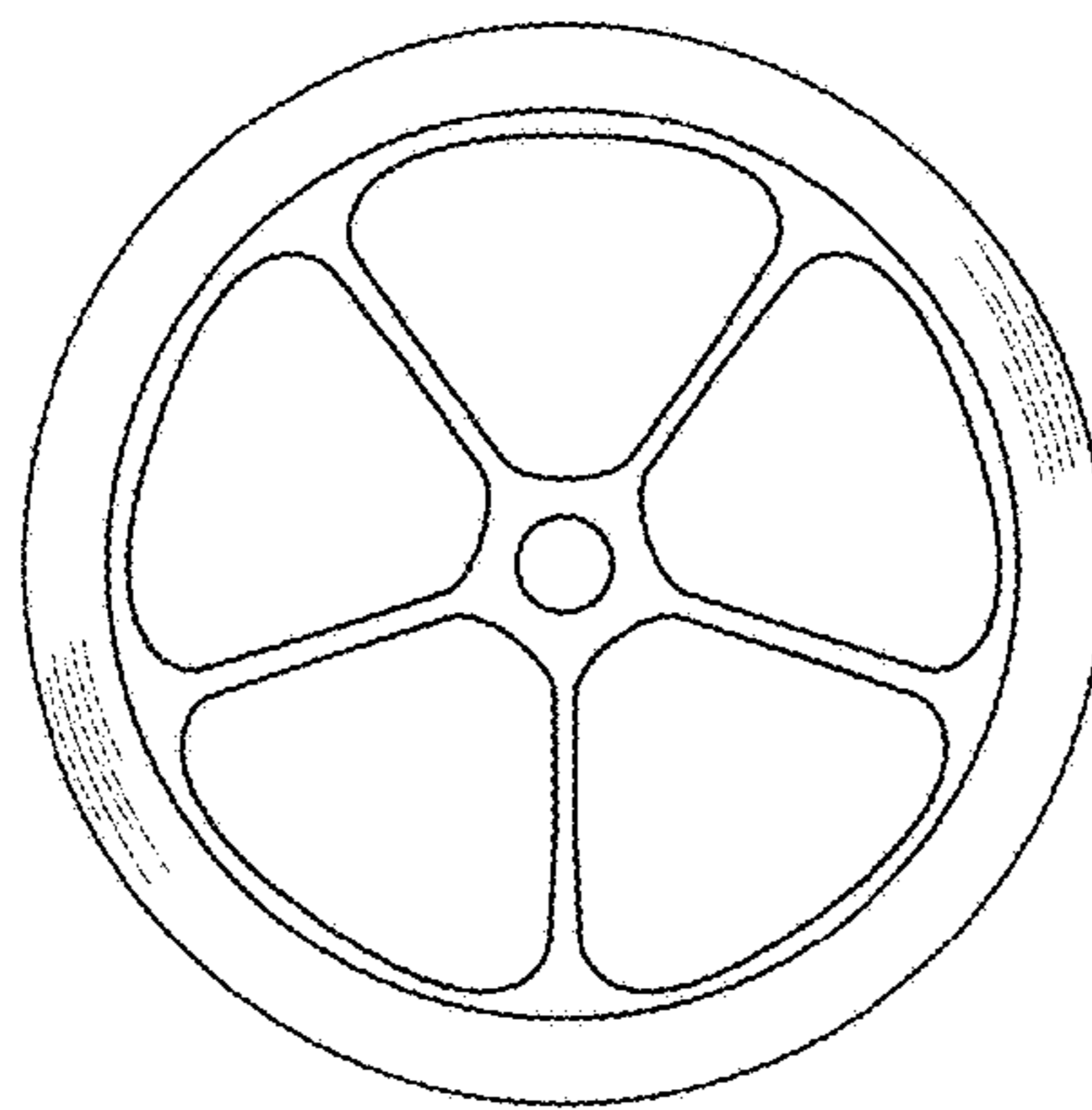


Fig.7